



US00D959868S

(12) **United States Design Patent** (10) **Patent No.:** **US D959,868 S**  
**Li** (45) **Date of Patent:** **\*\* Aug. 9, 2022**

(54) **CHAIR**  
(71) Applicant: **39F USA INC**, Rancho Cucamonga, CA (US)  
(72) Inventor: **Yuehai Li**, Rancho Cucamonga, CA (US)  
(73) Assignee: **39F USA INC**, Rancho Cucamonga, CA (US)

D295,005 S \* 4/1988 Murry ..... D6/708  
D358,948 S \* 6/1995 Klein ..... D6/379  
5,921,621 A \* 7/1999 Cook ..... A47C 4/286  
297/16.2  
6,047,931 A \* 4/2000 Flanagan ..... A47C 5/02  
248/127

(Continued)

(\*\*) Term: **15 Years**  
(21) Appl. No.: **29/748,245**

(22) Filed: **Aug. 27, 2020**

(51) **LOC (13) Cl.** ..... **06-01**  
(52) **U.S. Cl.**  
USPC ..... **D6/374**; D6/334  
(58) **Field of Classification Search**  
USPC ..... D6/374, 379, 364, 366, 344, 368, 378,  
D6/708.16, 716, 708; D7/637  
CPC ..... A47G 23/02; A47C 9/00; A47C 5/00  
See application file for complete search history.

**OTHER PUBLICATIONS**

Marlon Dining Chair, available in Amazon.com, date first available Apr. 3, 2019 [online], Retrieved on Jan. 22, 2022 from URL: <https://us.amazon.com/Whiteline-Modern-Living-Marlon-Leather/dp/B07Q9HXYRS> (Year: 2019).\*

(Continued)

*Primary Examiner* — Vy N Koenig  
*Assistant Examiner* — Michelle M Reeves  
(74) *Attorney, Agent, or Firm* — Raymond Y. Chan;  
David and Raymonnd Patent Firm

(57) **CLAIM**

The ornamental design for a chair, as shown and described.

(56) **References Cited**

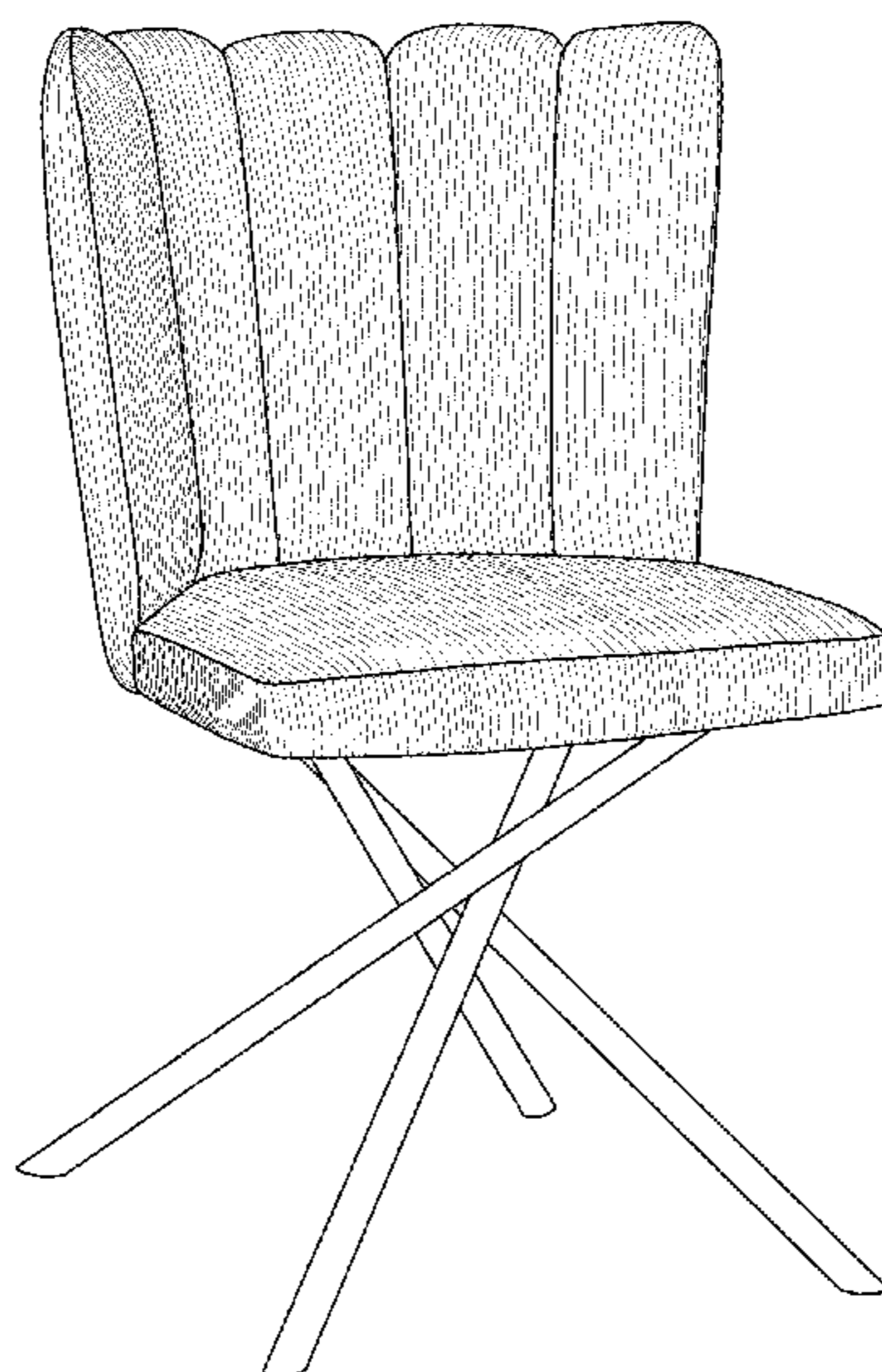
**U.S. PATENT DOCUMENTS**

180,610 A \* 8/1876 Lungren ..... A47C 4/286  
297/440.15  
402,709 A \* 5/1889 Abbott ..... A47C 9/00  
297/461  
1,295,265 A \* 2/1919 Bradley ..... A47C 4/286  
211/29  
D151,270 S \* 10/1948 Kaufman ..... D6/364  
D177,523 S \* 4/1956 Keal ..... D6/334  
D178,888 S \* 10/1956 Keal ..... D6/334  
D180,210 S \* 4/1957 Uretsky ..... D6/368  
D190,804 S \* 7/1961 Howell, Jr. .... D6/374  
D205,361 S \* 7/1966 Mark ..... D6/708.16  
D225,196 S \* 11/1972 Poisson ..... D6/364  
4,184,711 A \* 1/1980 Wakimoto ..... A47C 4/286  
108/118  
D276,959 S \* 1/1985 Roset ..... D6/334

**DESCRIPTION**

FIG. 1 is a front perspective view of a chair showing my new design;  
FIG. 2 is a front elevation view thereof;  
FIG. 3 is a rear elevation view thereof;  
FIG. 4 is a left-side elevation view thereof;  
FIG. 5 is a right-side elevation view thereof;  
FIG. 6 is a top plan view thereof; and,  
FIG. 7 is a bottom plan view thereof.  
The long dash broken lines shown in FIG. 7 illustrate stitching that form part of the claimed design. The short dash broken lines depict environmental subject matter and form no part of the claimed design.

**1 Claim, 7 Drawing Sheets**



(56)

**References Cited**

U.S. PATENT DOCUMENTS

6,536,732 B1 \* 3/2003 Chang ..... A47B 3/04  
108/94  
D495,507 S \* 9/2004 Lee ..... D6/358  
D525,833 S \* 8/2006 Segal ..... D7/637  
D557,529 S \* 12/2007 Cheng ..... D6/708  
D560,376 S \* 1/2008 Sempe ..... D6/334  
D733,477 S \* 7/2015 Sutton ..... D6/716  
D775,884 S \* 1/2017 Muller ..... D6/708  
D919,989 S \* 5/2021 Li ..... D6/366  
D933,990 S \* 10/2021 Killinger ..... D6/378  
D936,384 S \* 11/2021 Bourgeois ..... D6/366

OTHER PUBLICATIONS

Gaia Dining Chair, available in 1stdibs.com, earliest available date Dec. 18, 2019 Year 2019 [online], Retrieved on Jan. 21, 2022 from URL: [https://www.1stdibs.com/furniture/seating/dining-room-chairs/stock-los-angeles-black-gaia-velvet-dining-chair-5-back/id-f\\_18784302/](https://www.1stdibs.com/furniture/seating/dining-room-chairs/stock-los-angeles-black-gaia-velvet-dining-chair-5-back/id-f_18784302/) (Year: 2019).\*

\* cited by examiner

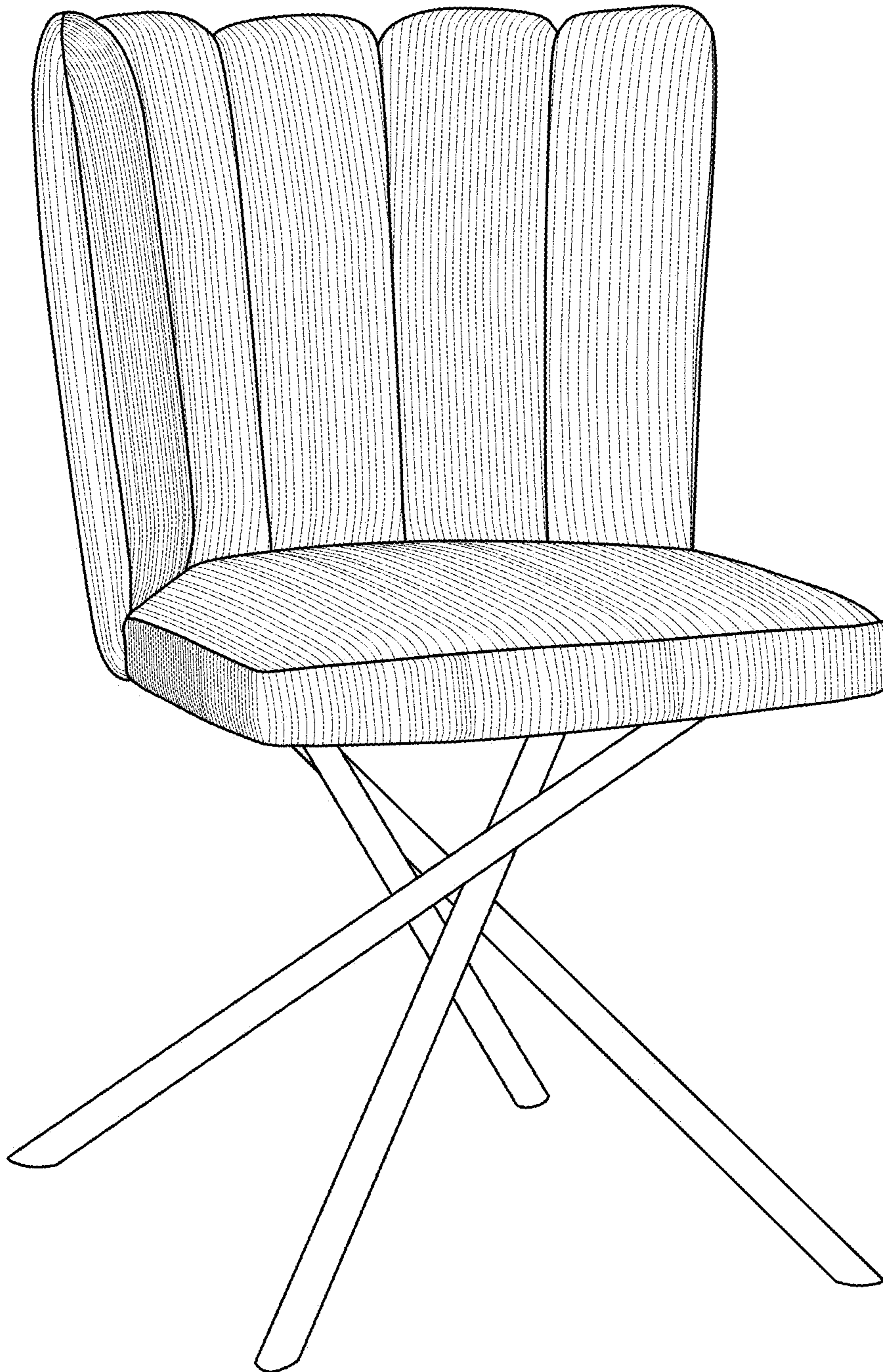


Fig.1



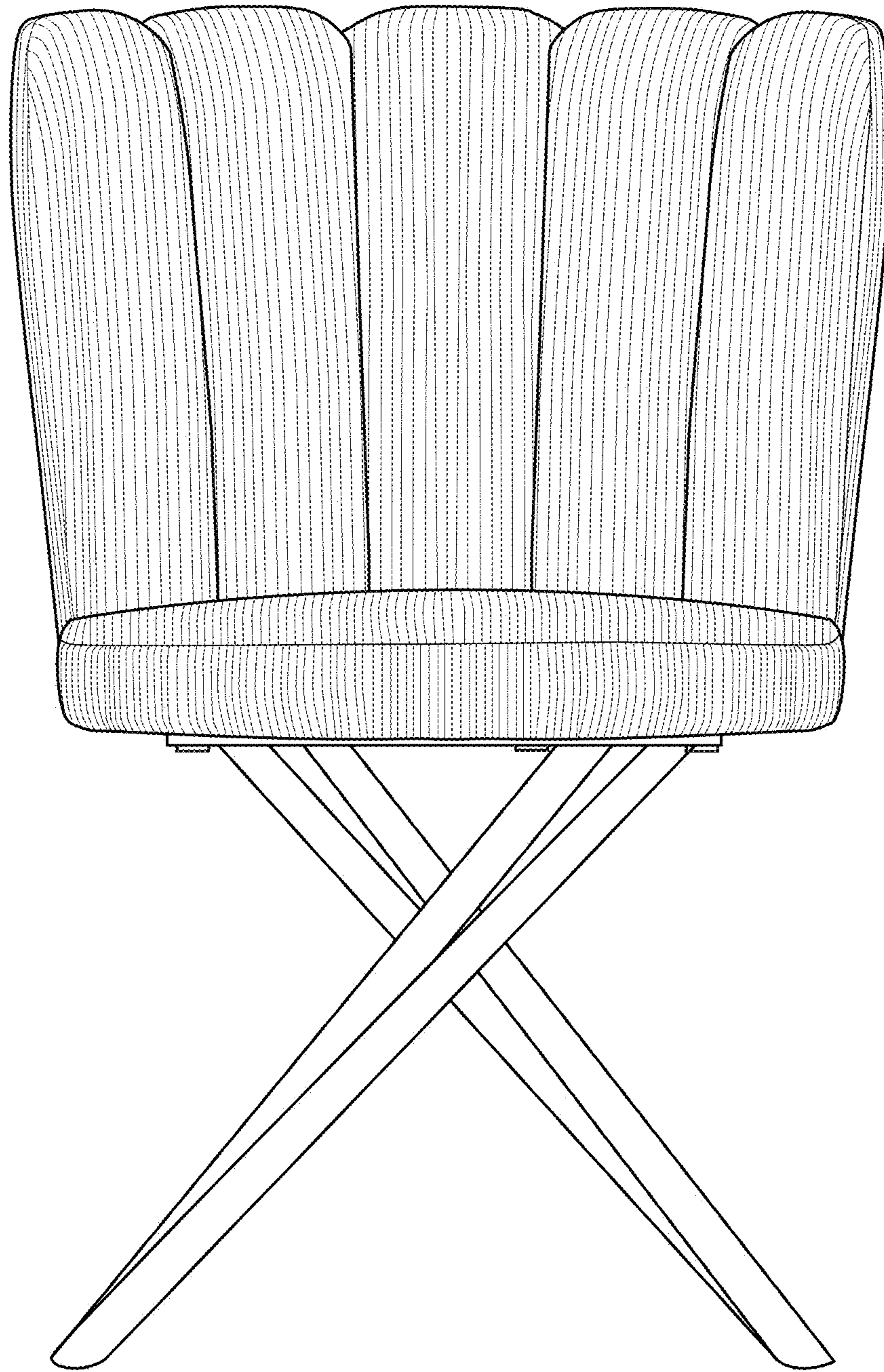


Fig.2

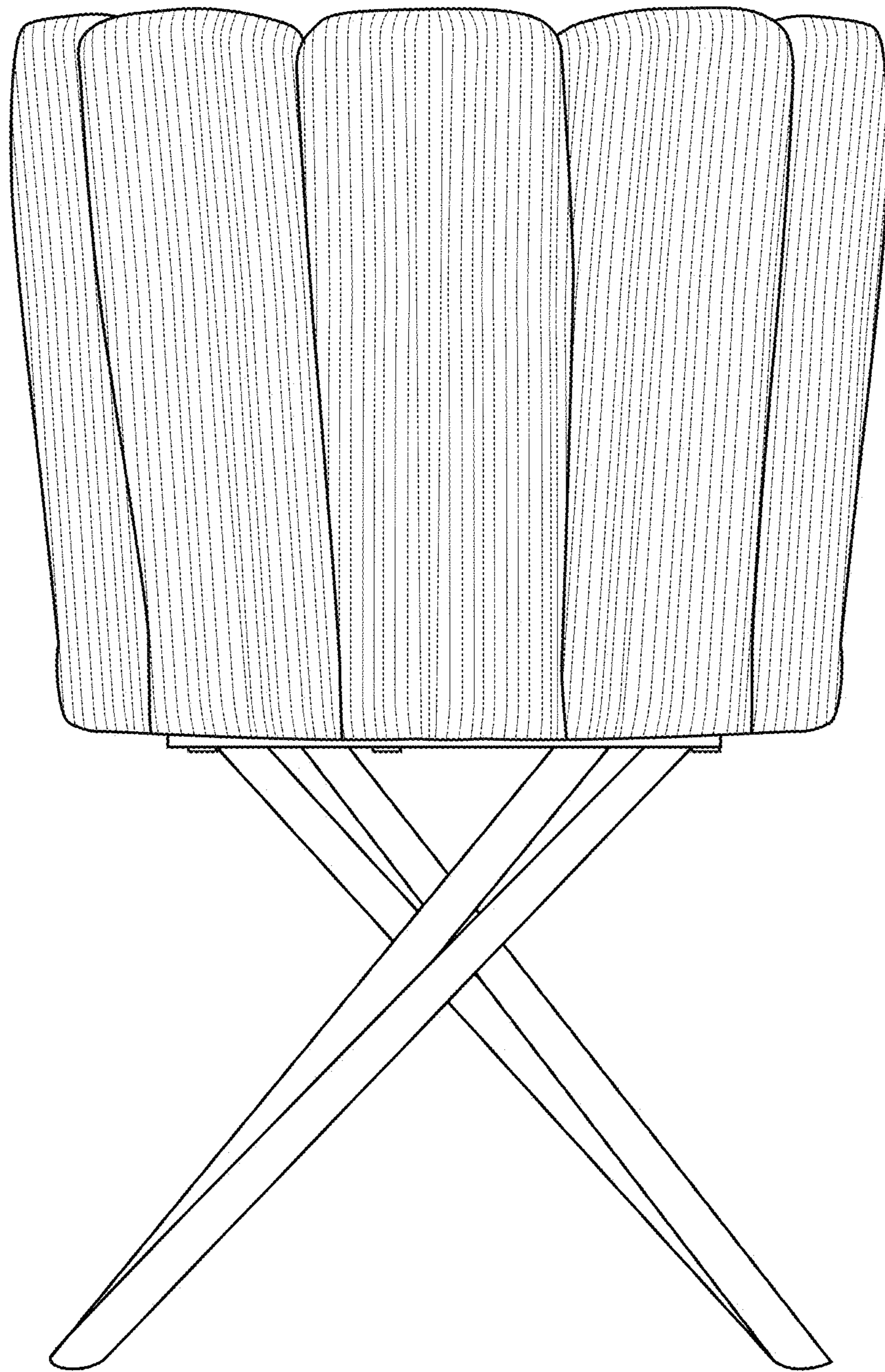


Fig.3

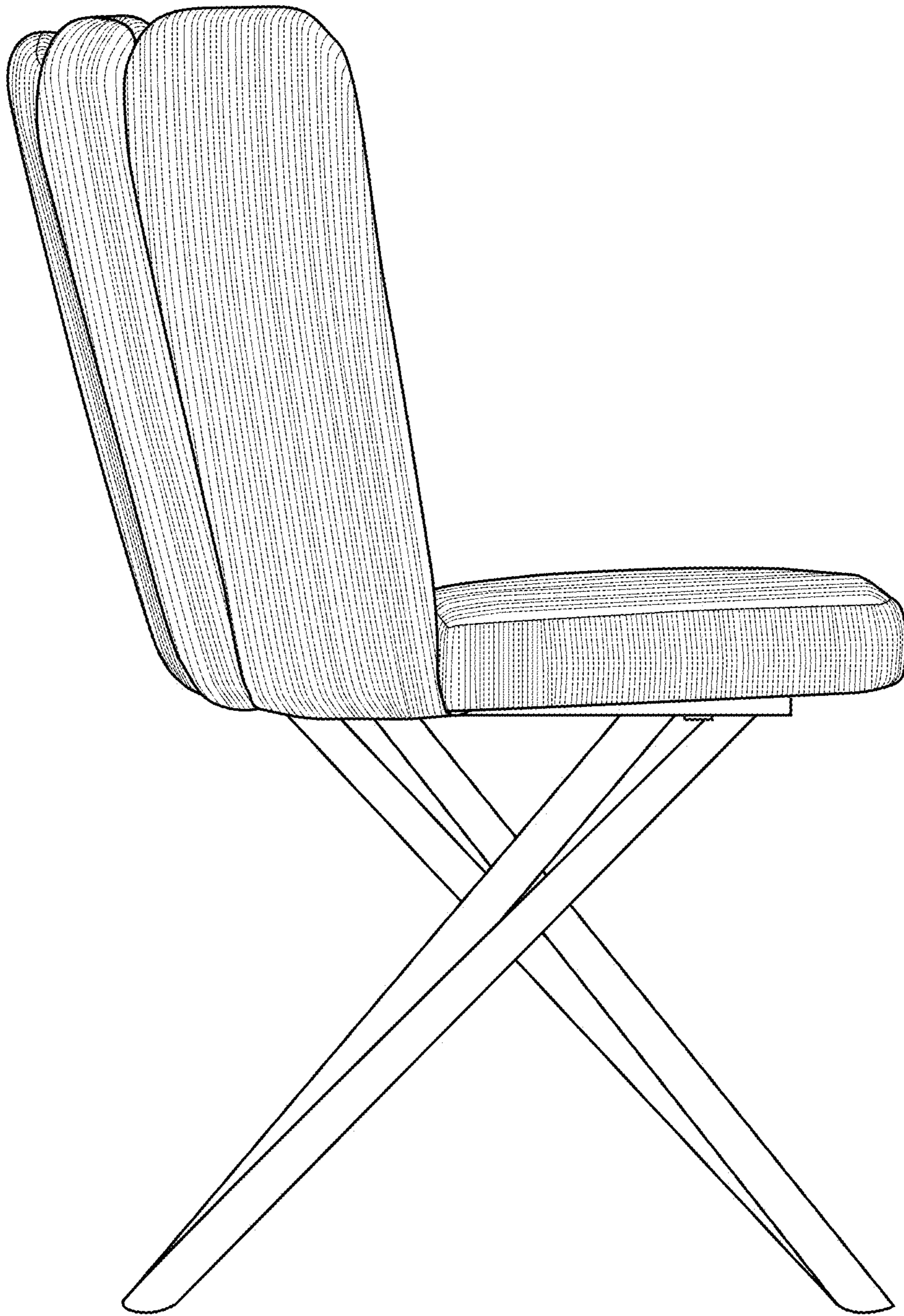


Fig.4



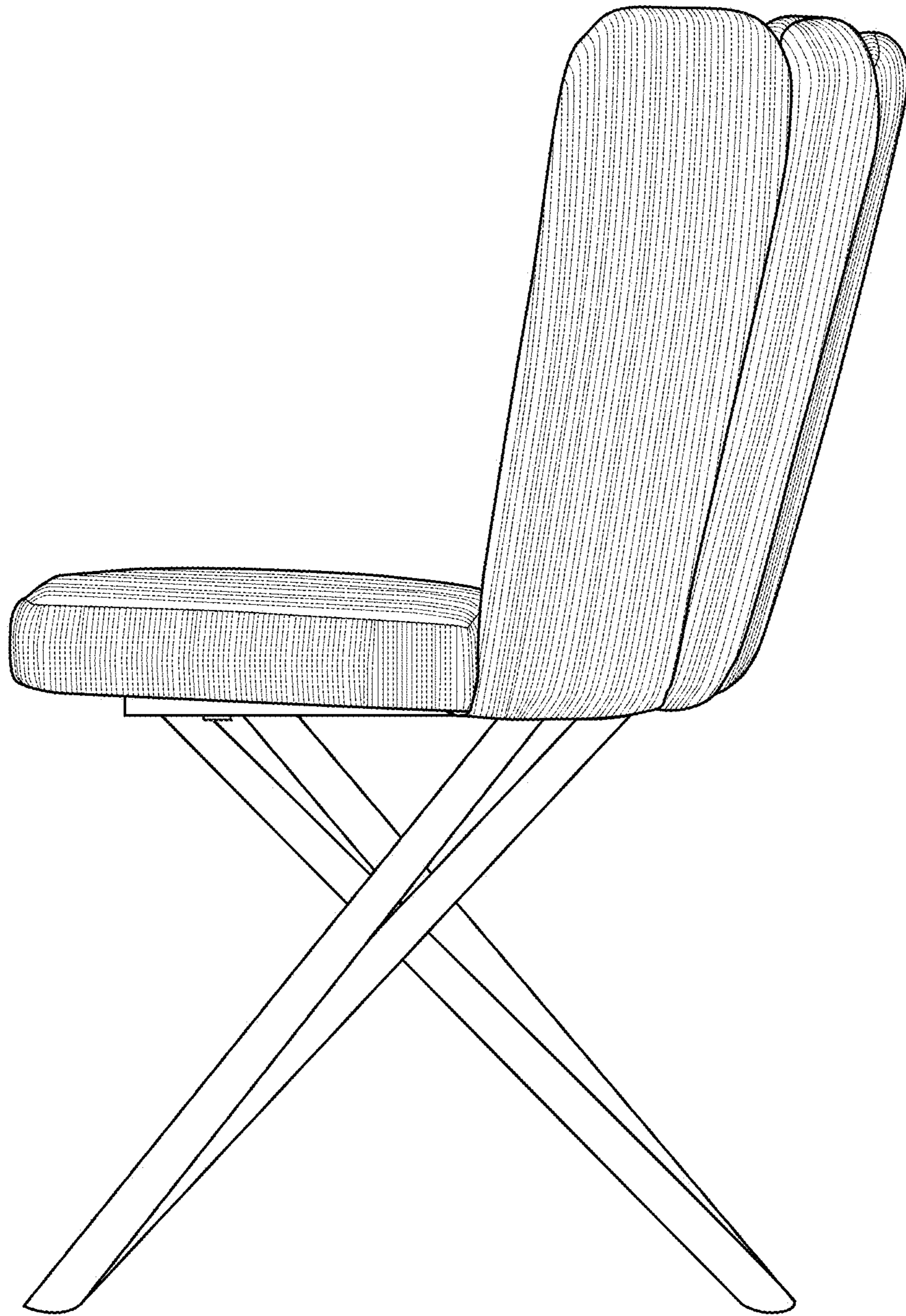


Fig.5

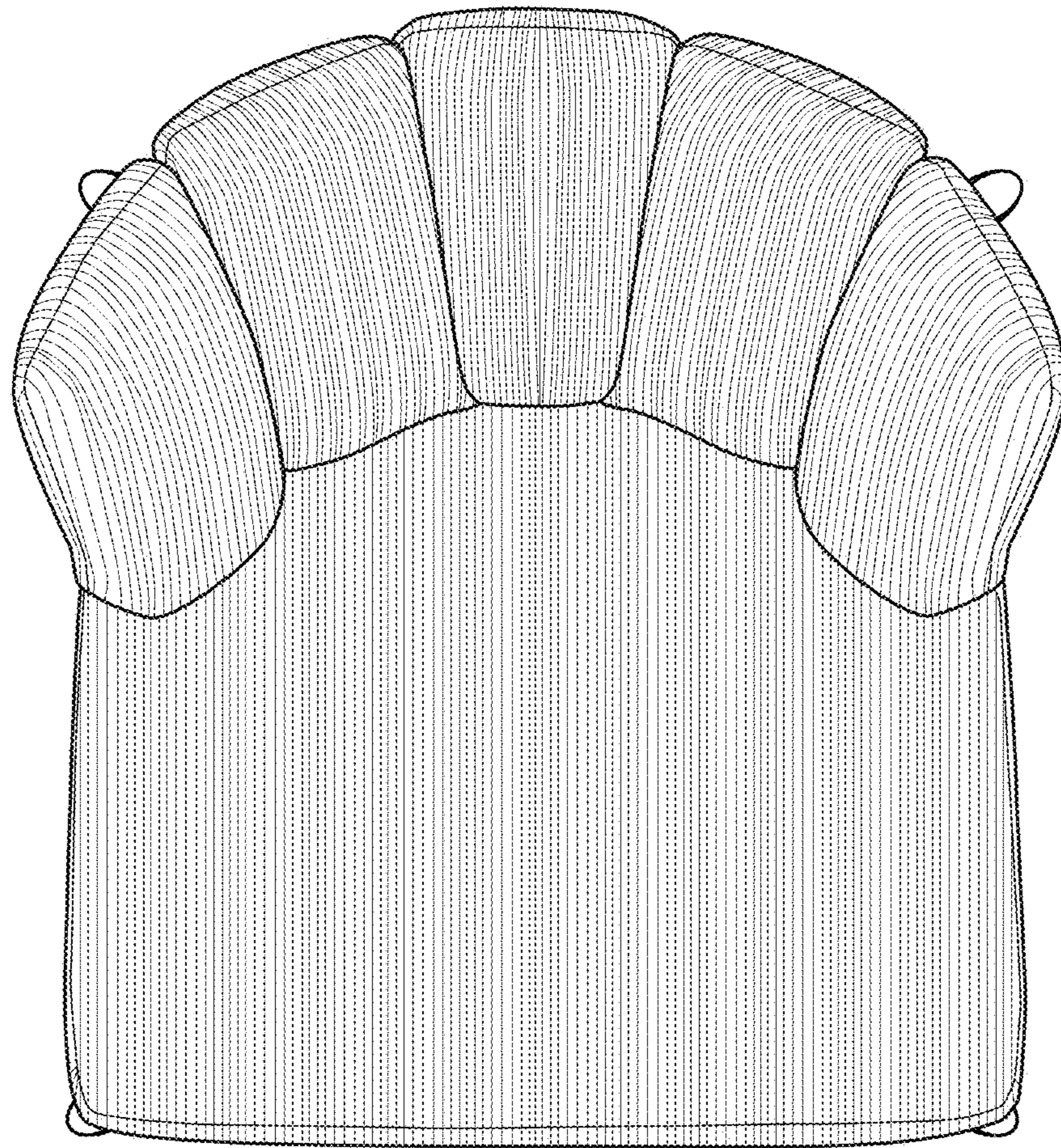


Fig.6



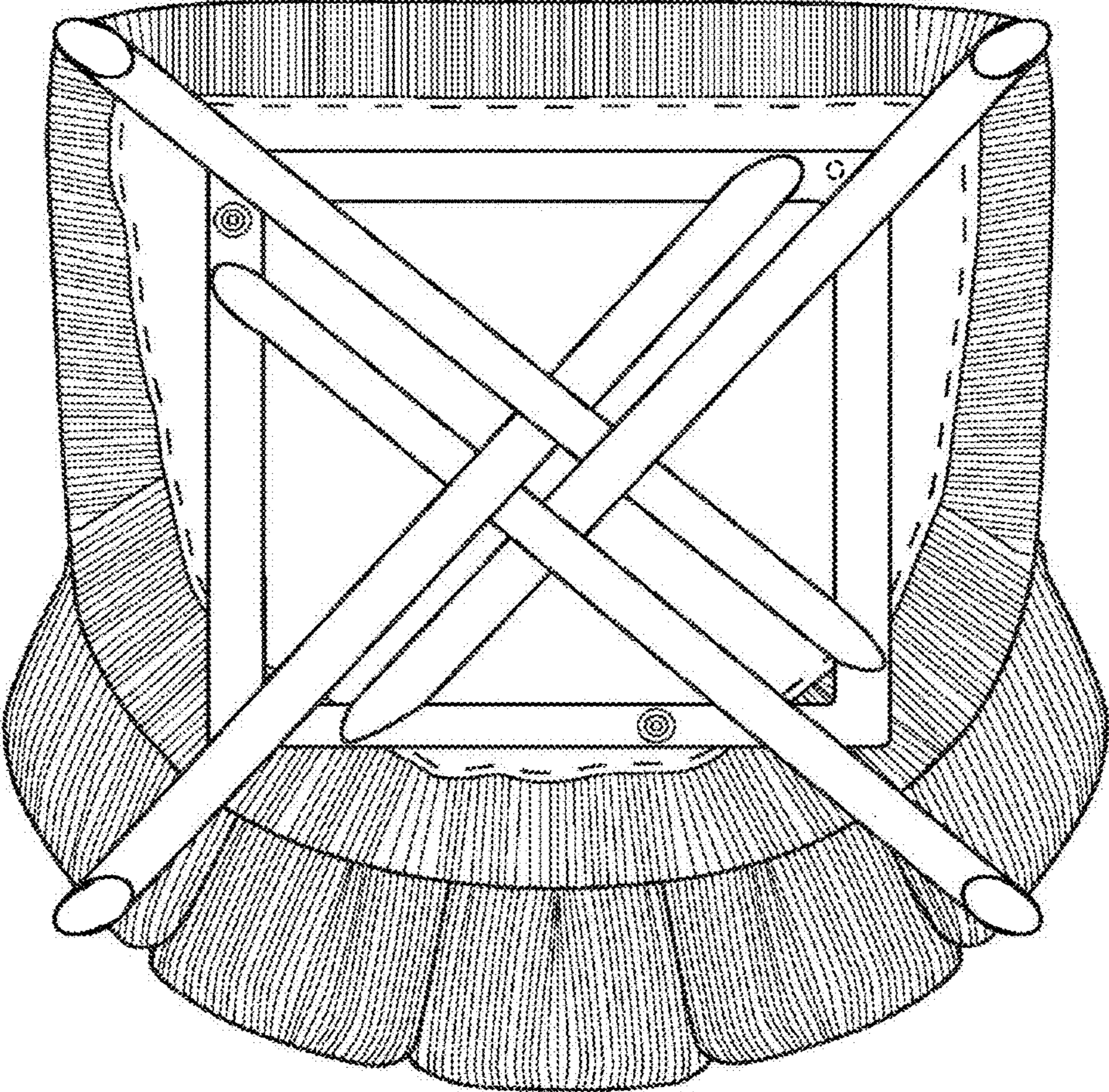


FIG. 7