



US00D959867S

(12) **United States Design Patent**
Feng

(10) **Patent No.:** **US D959,867 S**

(45) **Date of Patent:** **** Aug. 9, 2022**

(54) **SWIVEL CHAIR**

OTHER PUBLICATIONS

(71) Applicant: **Zhejiang Sharing Space Technology Co., Ltd.**, Hangzhou (CN)

Amazon.com. https://www.amazon.com/Gabrylly-Ergonomic-Mesh-Office-Chair/dp/B07Y8BXXB8/ref=sxin_15_ac_d_rm?ac_md=5-4-c3dpdmVslG1lc2ggY2hhaXI%3D-ac_d_rm_rm_rm&crd=2HOMALVPWWWEU&cv_ct_cx=swivel%2Boffice%2Bchair&keywords=swivel%2Boffice%2Bchair&pd_rd_i=B07Y8BXXB8&pd_rd_r=dc446f1218f3-4383-bd64-dbc5765525be&pd_rd_w=LcRFd&pd_rd_wg=NcM26&pf_rd_p=4ddd8e40-6b01-4726-9d0f-a100f252099e &pf_rd_r=0 VZG9B6EV9 TTF9SXA8 MS&qid=1641424807&sprefix=swivel%2Boffice%2Bchair%2Caps%2C70&sr=1-5-12d4272d-8adb-4121-8624-35149aa 9081&th=1. "Gabrylly Ergonomic Mesh Office Chair". Sep. 2019 (Year: 2019).*

(72) Inventor: **Xiaowei Feng**, Hangzhou (CN)

(73) Assignee: **Zhejiang Sharing Space Technology Co., Ltd.**, Hangzhou (CN)

(**) Term: **15 Years**

* cited by examiner

(21) Appl. No.: **29/743,273**

(22) Filed: **Jul. 20, 2020**

(51) **LOC (13) Cl.** **06-01**

(52) **U.S. Cl.**
USPC **D6/366**

(58) **Field of Classification Search**
USPC D6/334, 366, 367, 372, 373, 374, 379,
D6/380, 716.1, 716.4
CPC A47C 1/02; A47C 1/022; A47C 1/024;
A47C 3/12; A47C 3/18; A47C 3/026;
A47C 7/18; A47C 7/36; A47C 7/40;
A47C 7/46

See application file for complete search history.

Primary Examiner — R. Johnson

(74) *Attorney, Agent, or Firm* — Bayramoglu Law Offices LLC

(56) **References Cited**

U.S. PATENT DOCUMENTS

| | | | | | |
|------------|---|---------|---------|-------|--------|
| D695,538 S | * | 12/2013 | Geelen | | D6/366 |
| D781,604 S | * | 3/2017 | Smith | | D6/366 |
| D801,717 S | * | 11/2017 | Barber | | D6/366 |
| D863,802 S | * | 10/2019 | Wang | | D6/366 |
| D908,381 S | * | 1/2021 | Breen | | D6/366 |
| D913,004 S | * | 3/2021 | Chen | | D6/366 |
| D931,640 S | * | 9/2021 | Feng | | D6/366 |
| D936,984 S | * | 11/2021 | Deevers | | D6/366 |
| D936,985 S | * | 11/2021 | Deevers | | D6/366 |
| D937,595 S | * | 12/2021 | Deevers | | D6/366 |

(57) **CLAIM**

The ornamental design for a swivel chair, as shown and described.

DESCRIPTION

FIG. 1 is a rear perspective view of a swivel chair showing my new design;

FIG. 2 is a front view thereof;

FIG. 3 is a rear view thereof;

FIG. 4 is a left side view thereof;

FIG. 5 is a right side view thereof;

FIG. 6 is a top view thereof; and,

FIG. 7 is a bottom view thereof.

The broken lines shown in the drawings are for the purpose of illustrating portions of the swivel chair that form no part of the claimed design.

1 Claim, 7 Drawing Sheets



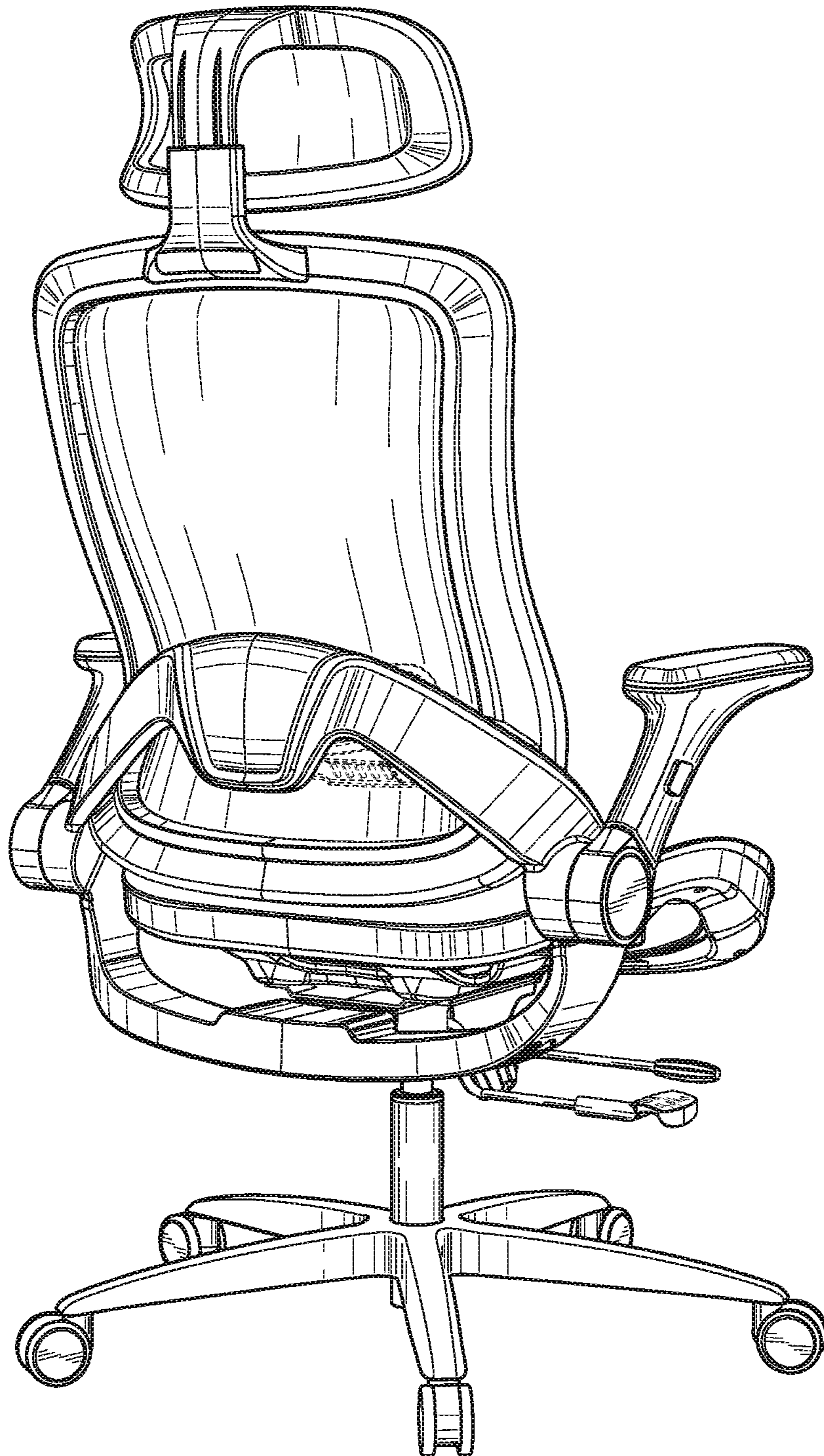


FIG. 1

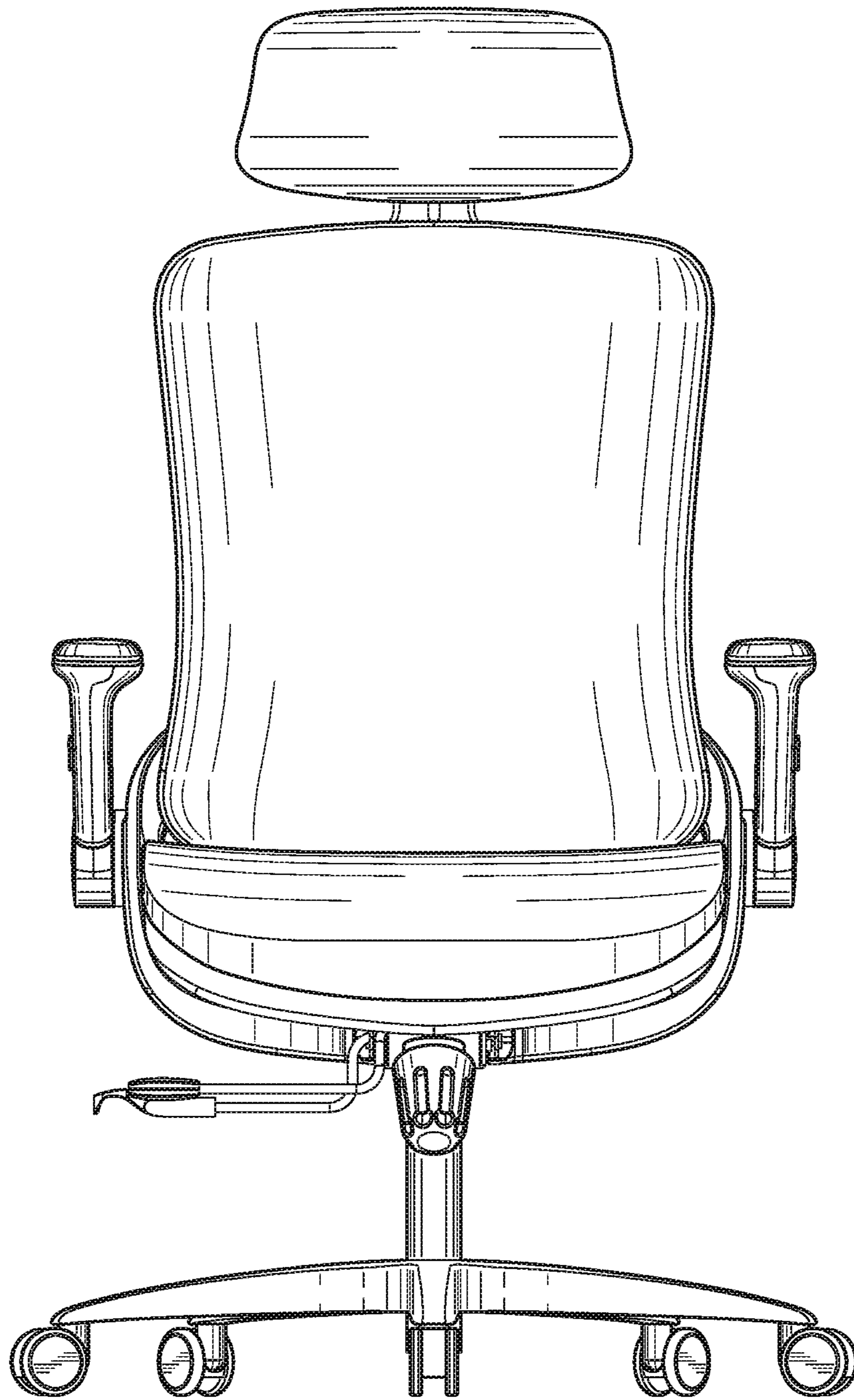


FIG. 2

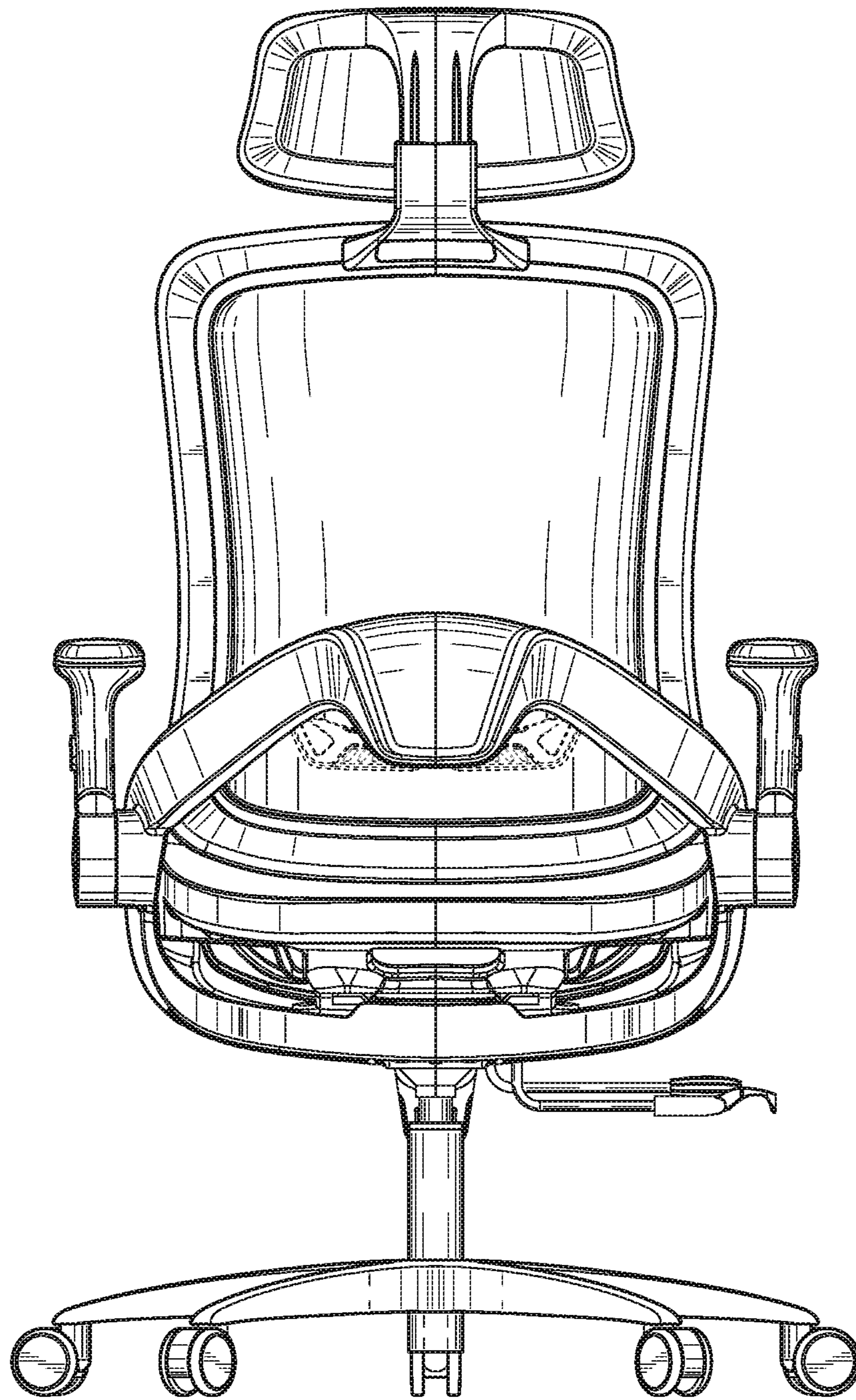


FIG. 3

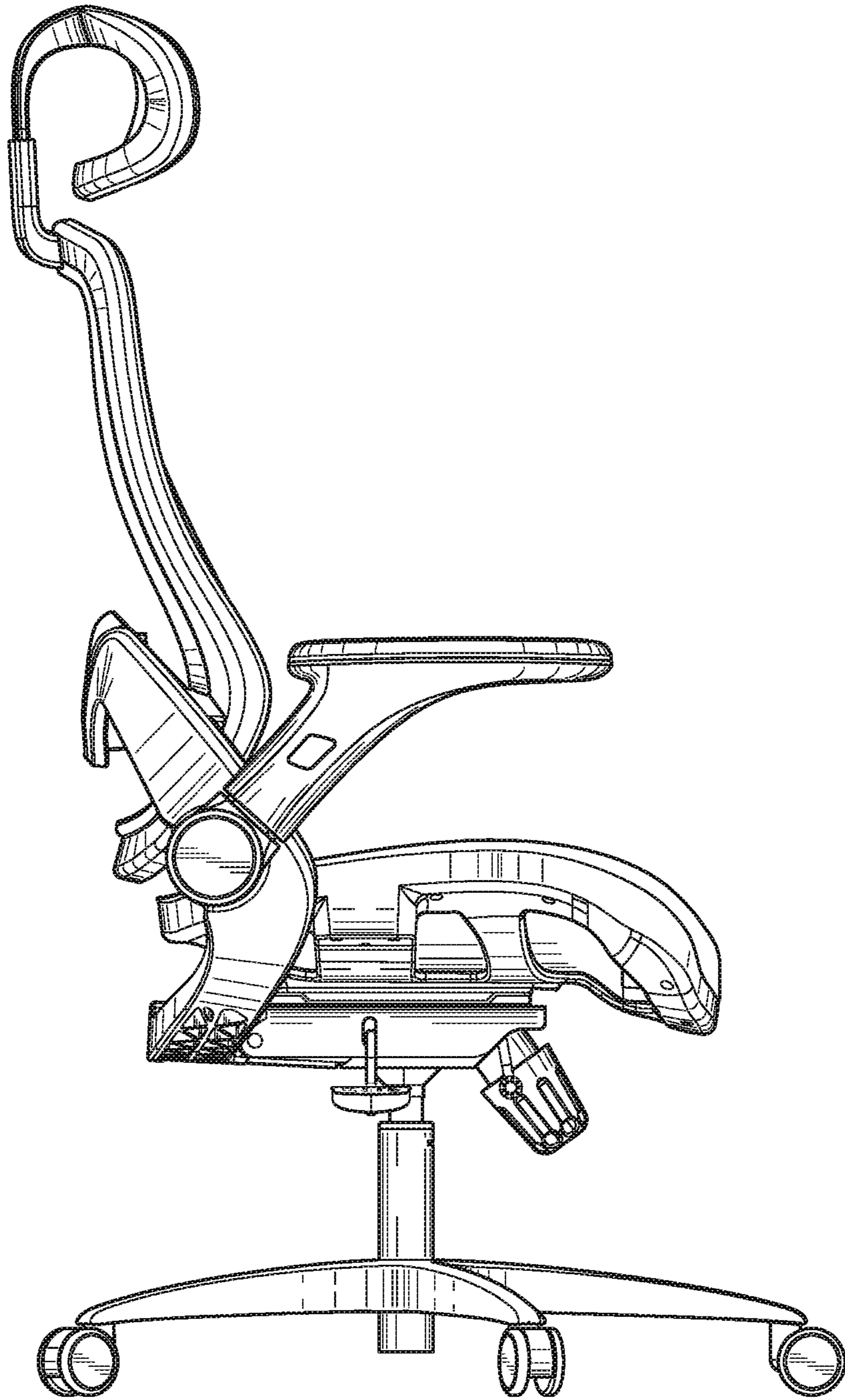


FIG. 4

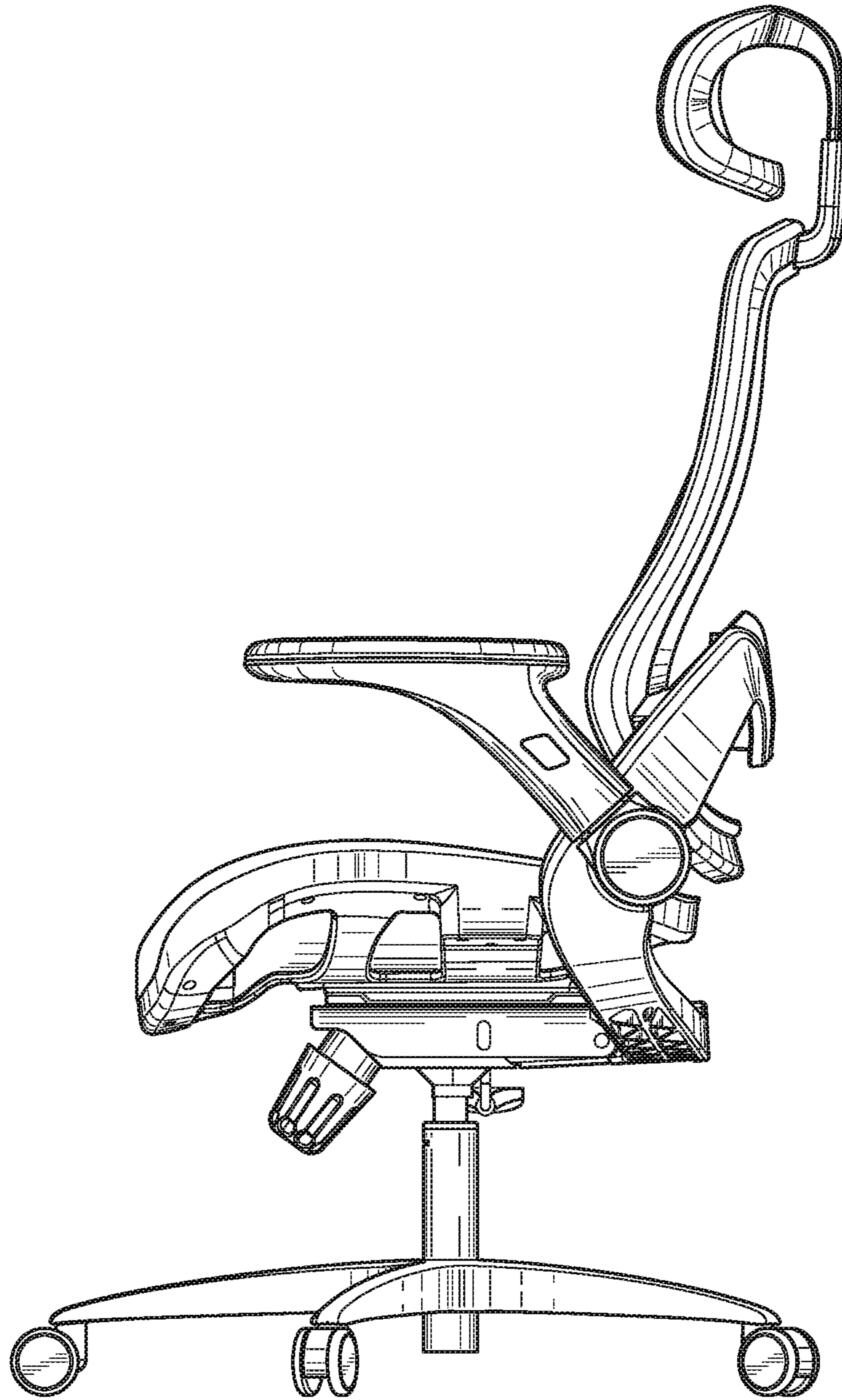


FIG. 5

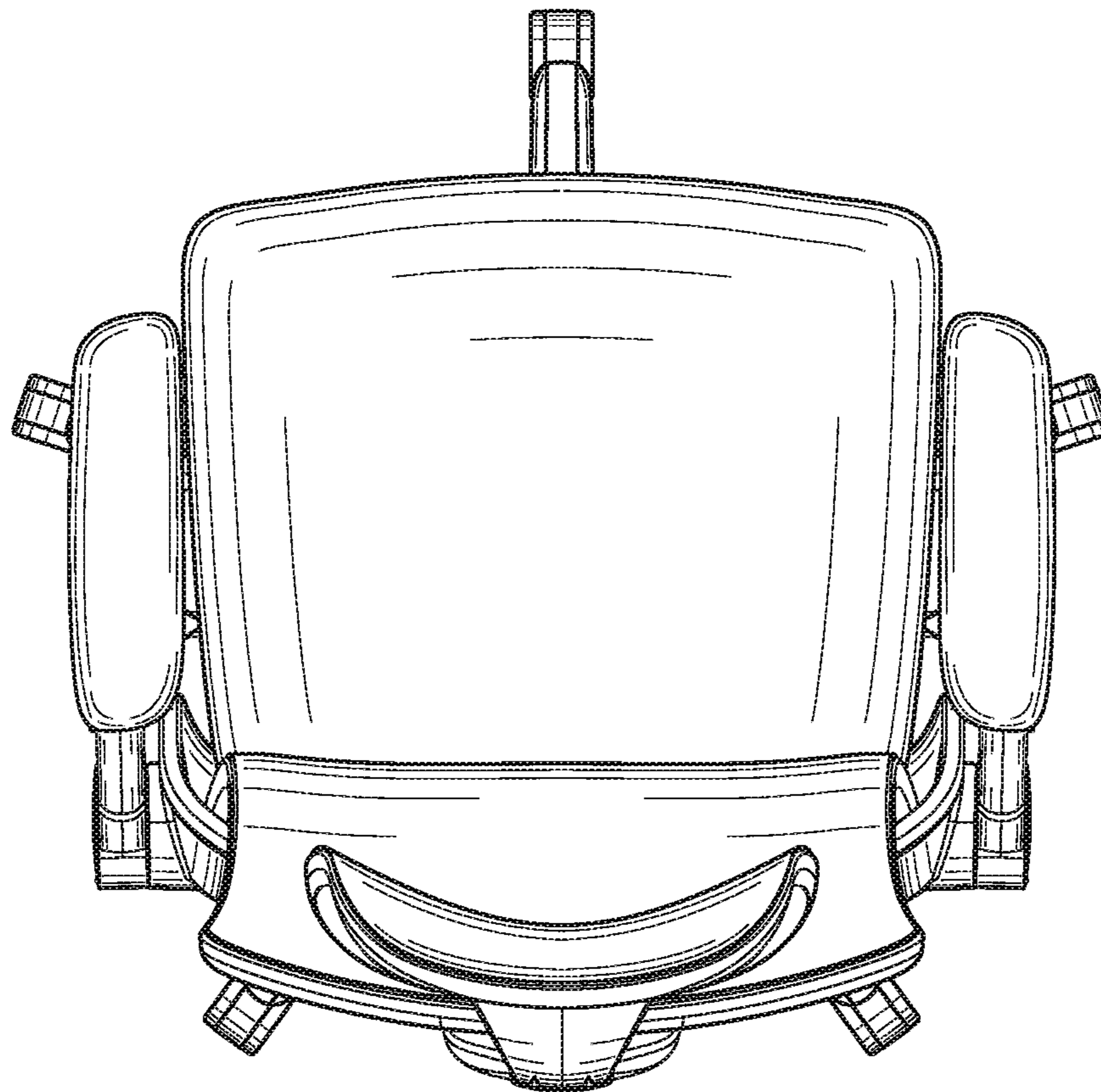


FIG. 6

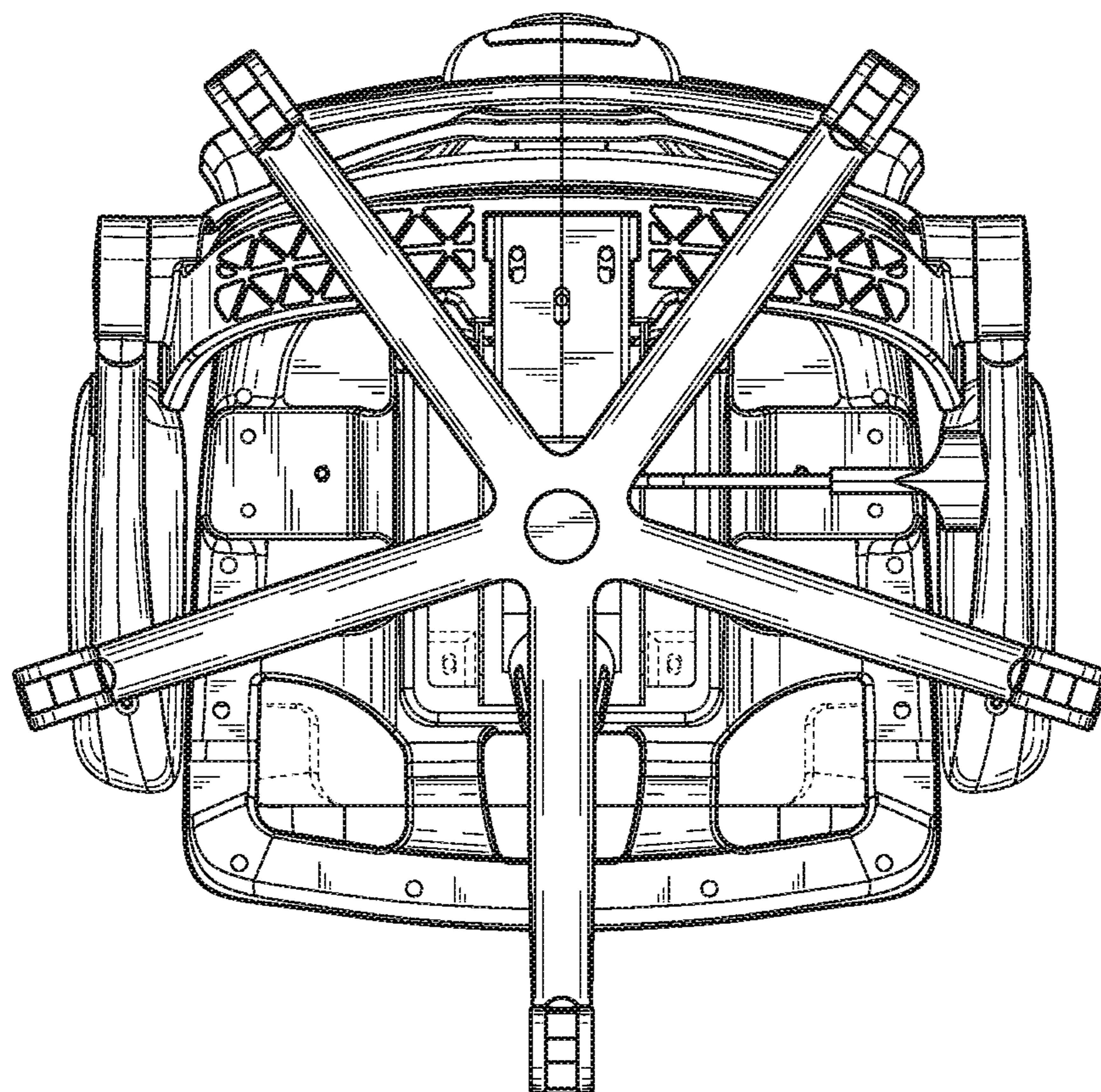


FIG. 7