



US00D959865S

(12) **United States Design Patent**  
**Dai**

(10) **Patent No.:** **US D959,865 S**

(45) **Date of Patent:** **\*\* Aug. 9, 2022**

(54) **TELESCOPIC STOOL**

(71) Applicant: **Shanghai Benxu Precision Mold Co., Ltd.**, Shanghai (CN)

(72) Inventor: **Xuguang Dai**, Shanghai (CN)

(73) Assignee: **Shanghai Benxu Precision Mold Co., Ltd.**, Shanghai (CN)

(\*\*) Term: **15 Years**

(21) Appl. No.: **29/776,941**

(22) Filed: **Apr. 1, 2021**

(51) **LOC (13) Cl.** ..... **06-01**

(52) **U.S. Cl.**  
USPC ..... **D6/353; D6/352**

(58) **Field of Classification Search**  
USPC ..... D6/334, 335, 344, 348, 349–353,  
D6/364–365, 691–691.9, 692–692.6, 694,  
(Continued)

(56) **References Cited**

**U.S. PATENT DOCUMENTS**

3,329,298 A \* 7/1967 Demas ..... B65D 21/086  
220/8  
3,715,996 A \* 2/1973 Rolfshus ..... A47C 9/00  
D6/692.3

(Continued)

**OTHER PUBLICATIONS**

MO006—6th Generation Factory Wholesale Outdoor Retractable Small Adjustable Folding Telescopic Stool, [online] Retrieved Mar. 23, 2022 from URL: [https://www.alibaba.com/product-detail/MO006-6th-Generation-Factory-Wholesale-Outdoor\\_1600397997462.html](https://www.alibaba.com/product-detail/MO006-6th-Generation-Factory-Wholesale-Outdoor_1600397997462.html) (Year: 2022).\*

(Continued)

*Primary Examiner* — Vy N Koenig

(74) *Attorney, Agent, or Firm* — ScienBiziP, P.C.

(57) **CLAIM**

The ornamental design for a telescopic stool, as shown and described.

**DESCRIPTION**

FIG. 1 is a front, right, and top perspective view of a first embodiment of a telescopic stool, showing my design. FIG. 2 is a rear, left, and bottom perspective view thereof. FIG. 3 is a front elevation view thereof. FIG. 4 is a rear elevation view thereof. FIG. 5 is a left side elevation view thereof. FIG. 6 is a right side elevation view thereof. FIG. 7 is a top plan view thereof. FIG. 8 is a bottom plan view thereof. FIG. 9 is a front, right, and top perspective view of the telescopic stool of FIG. 1 wherein a stool is in a retracted state. FIG. 10 is a partial enlarged view of an area labeled 10 in FIG. 1 comprising a portion of side walls. FIG. 11 is a partial enlarged view of an area labeled 11 in FIG. 1 comprising a portion of lid. FIG. 12 is a front, right, and top perspective view of a second embodiment of a telescopic stool. FIG. 13 is a rear, left, and bottom perspective view of the second embodiment of the telescopic stool of FIG. 12. FIG. 14 is a front elevation view of the second embodiment of the telescopic stool of FIG. 12. FIG. 15 is a rear elevation view of the second embodiment of the telescopic stool of FIG. 12. FIG. 16 is a left side elevation view of the second embodiment of the telescopic stool of FIG. 12. FIG. 17 is a right side elevation view of the second embodiment of the telescopic stool of FIG. 12. FIG. 18 is a top plan view of the second embodiment of the telescopic stool of FIG. 12. FIG. 19 is a bottom plan view of the second embodiment of the telescopic stool of FIG. 12. FIG. 20 is a front, right, and top perspective view of the telescopic stool of FIG. 12 wherein a stool is in a retracted state; and,

(Continued)

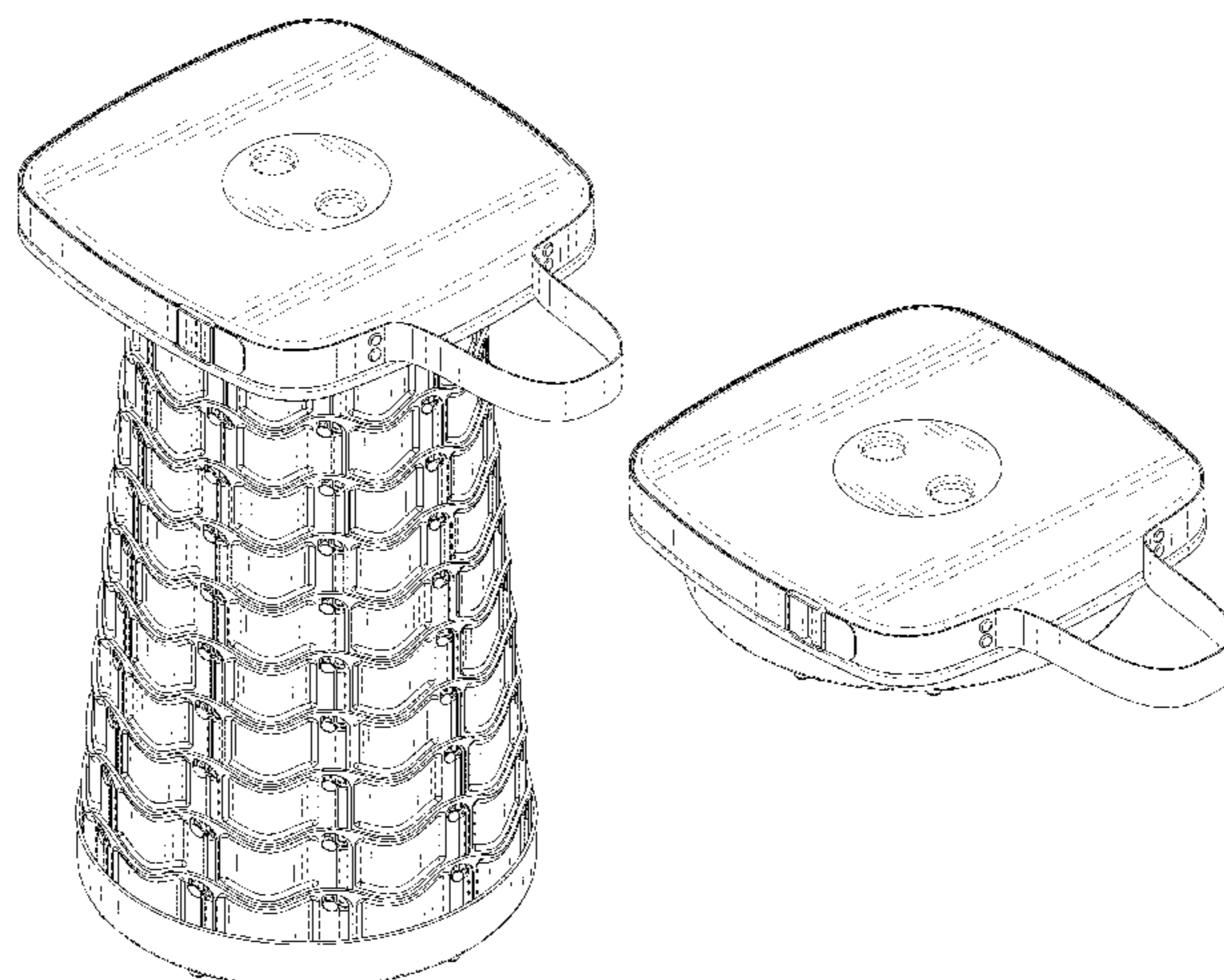


FIG. 21 is a partial enlarged view of an area labeled 21 in FIG. 12 comprising a portion of a non-slip mat. The broken lines shown in the drawings are included for the purpose of illustrating portions of the telescopic stool that form no part of the claimed design.

**1 Claim, 21 Drawing Sheets**

(58) **Field of Classification Search**

USPC .... D6/698, 700, 707.2, 708, 708.17, 708.25,  
D6/716-716.1, 716.11; D25/65  
CPC ... A47C 12/00; A47C 13/00; A47C 16/02-04;  
A47K 17/02; A47K 17/028

See application file for complete search history.

(56)

**References Cited**

U.S. PATENT DOCUMENTS

6,467,843 B1 \* 10/2002 Rossborough ..... A47C 9/10  
108/150  
D589,269 S \* 3/2009 Allende ..... D6/349

7,819,049 B2 \* 10/2010 Pastrnak ..... F42D 5/045  
86/50  
D873,042 S \* 1/2020 Dai ..... D6/335  
D878,067 S 3/2020 You et al.  
10,631,646 B1 \* 4/2020 Zaifman ..... A47C 3/40  
D891,798 S 8/2020 Dai  
D893,204 S \* 8/2020 Dai ..... D6/335  
D899,117 S \* 10/2020 Dai ..... D6/351  
D906,742 S \* 1/2021 Dai ..... D6/692.3  
D918,609 S \* 5/2021 Zhao ..... D6/353  
D927,259 S \* 8/2021 Xiao ..... D7/606  
D936,382 S \* 11/2021 Long ..... D6/353  
D938,207 S \* 12/2021 Long ..... D6/686  
2020/0015592 A1 \* 1/2020 Zaifman ..... A47C 4/04  
2022/0061534 A1 \* 3/2022 Sun ..... A47C 3/40

OTHER PUBLICATIONS

TelescopicStools\_032022.pdf. Design © Questel orbit.com. [Online PDF compilation of references] 21 pgs. Retrieved Mar. 24, 2022 from URL: <https://www.orbit.com/export/QPTUJ190/pdf2/bde145fb-8c30-47fd-861b-cb6b40c4f516-162911.pdf> (Year: 2022).\*

\* cited by examiner



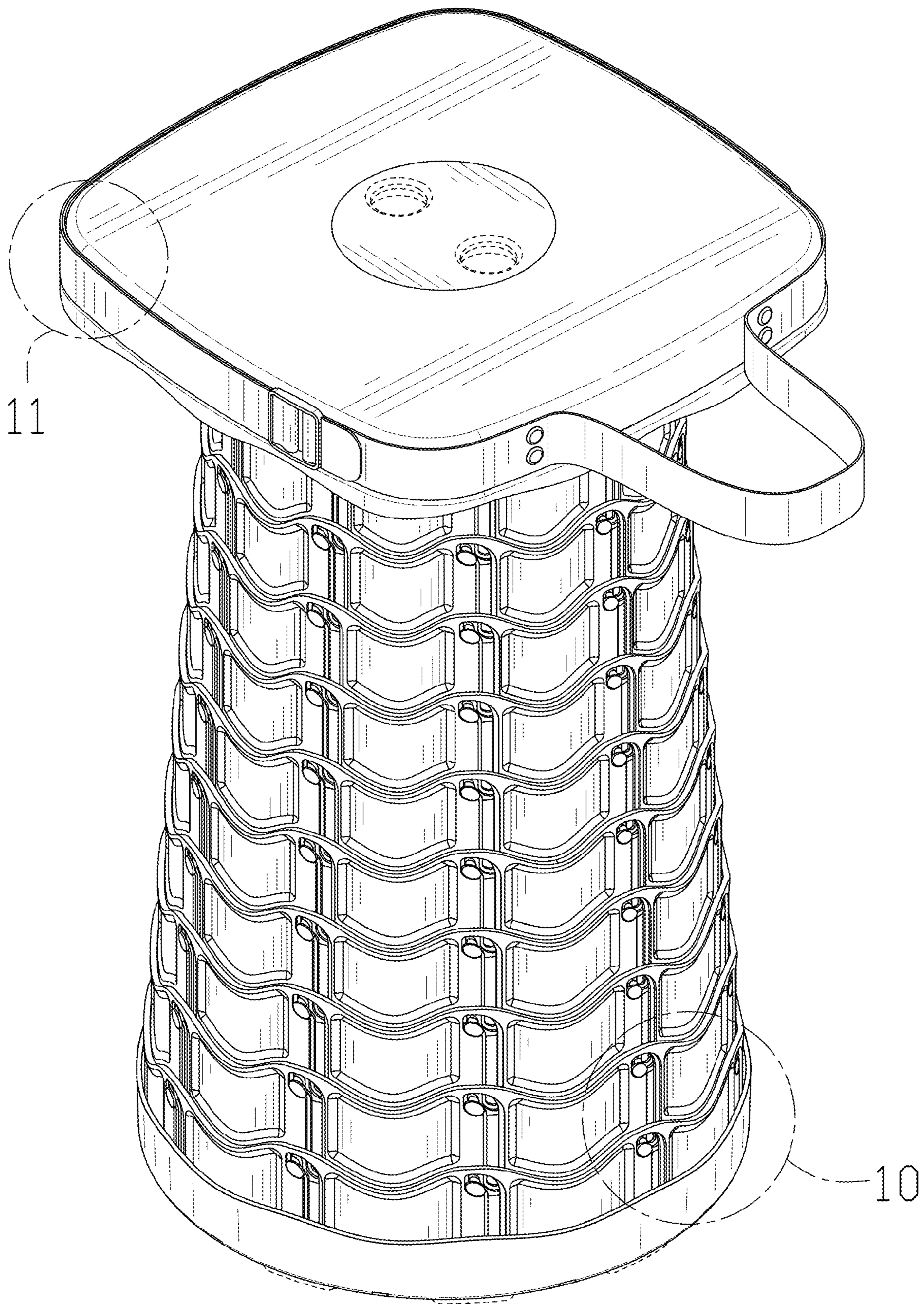


FIG. 1



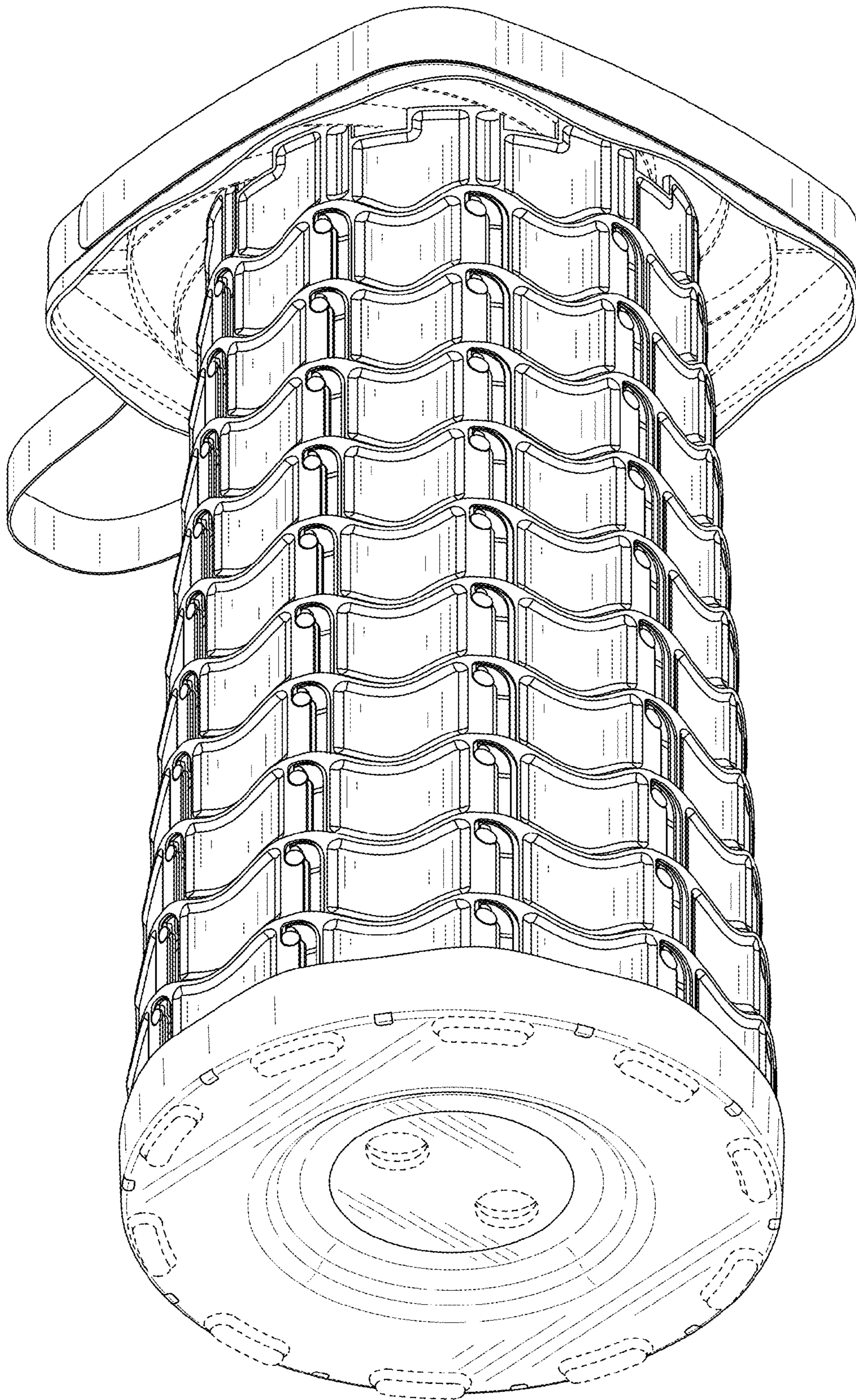


FIG. 2



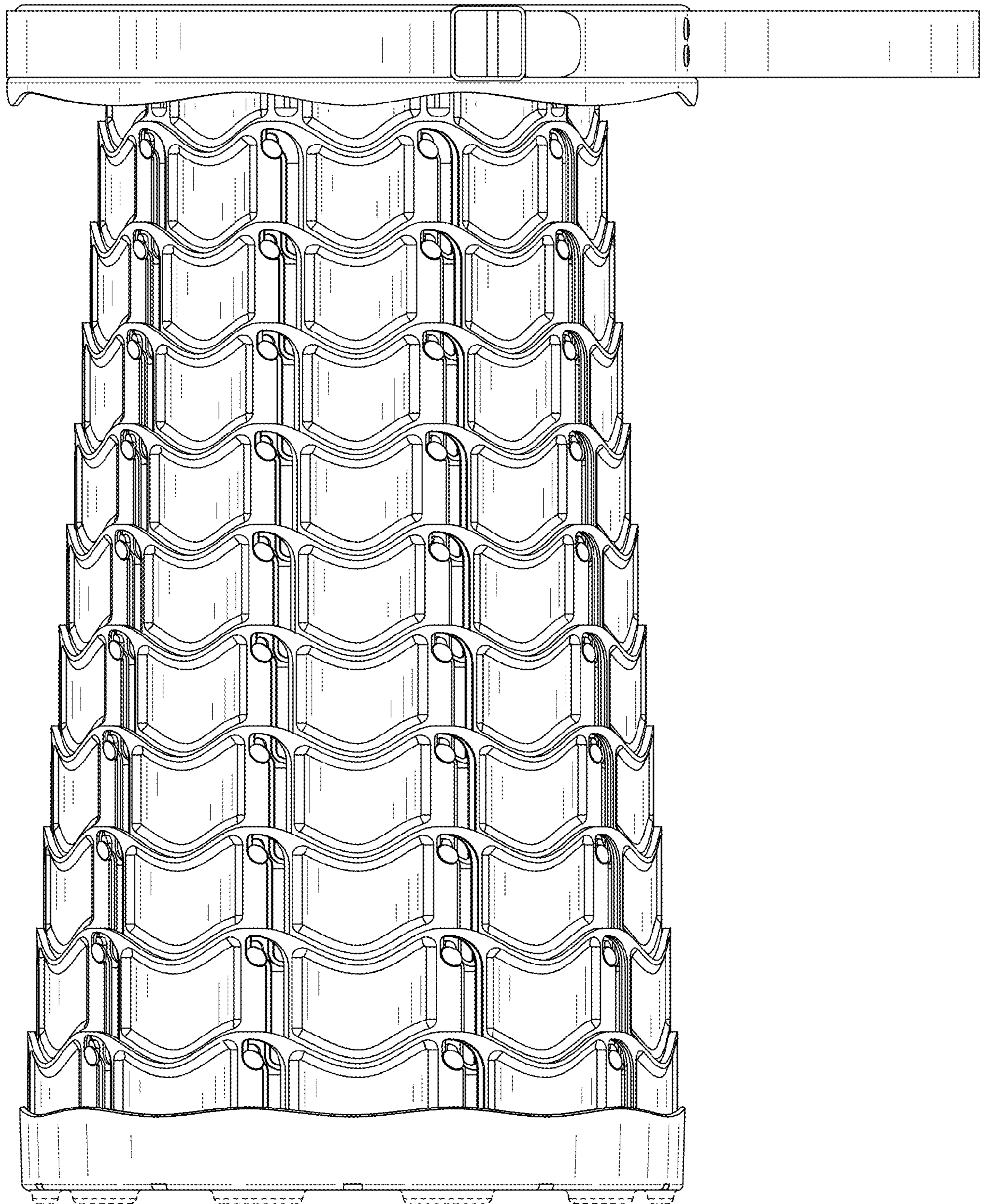


FIG. 3



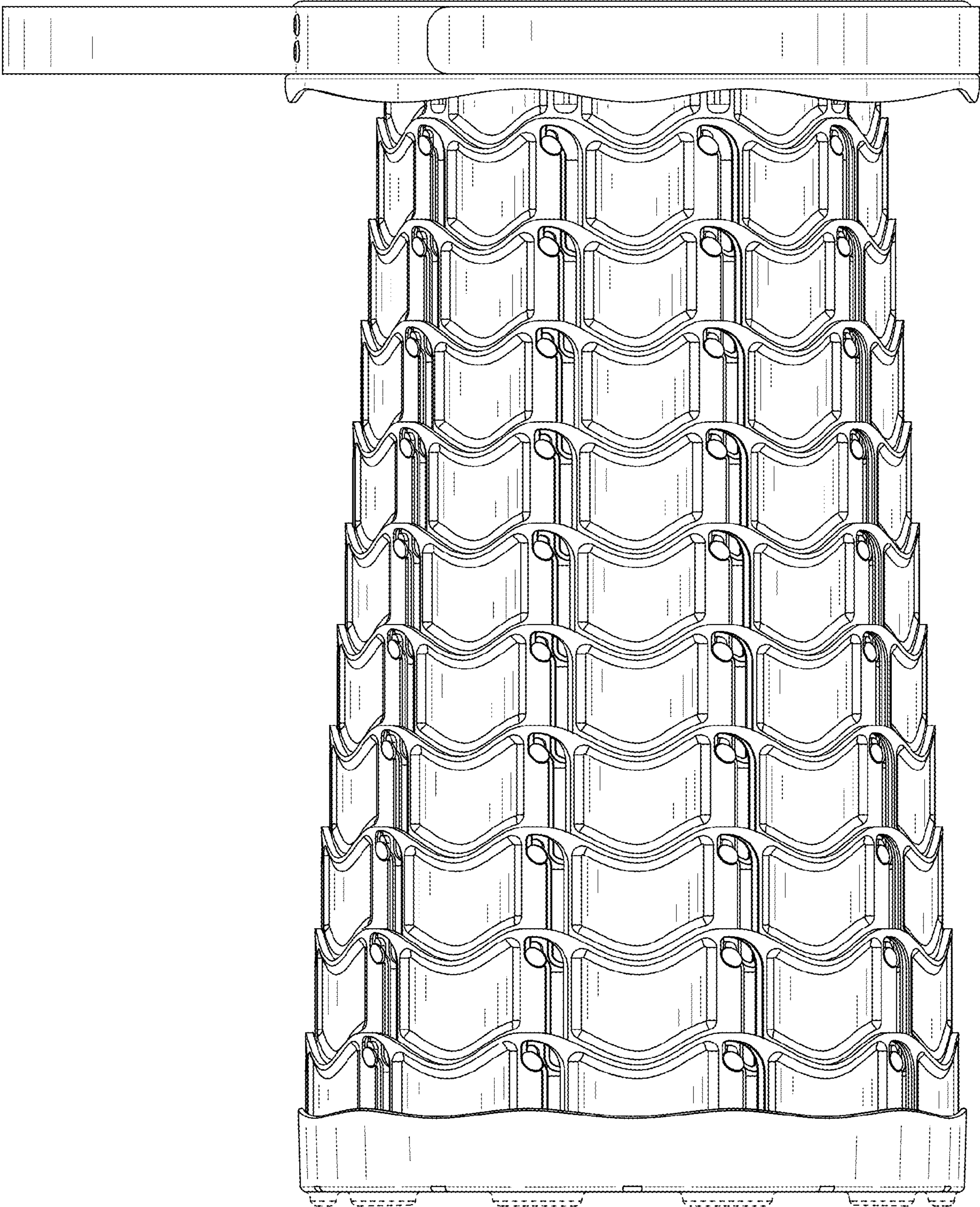


FIG. 4



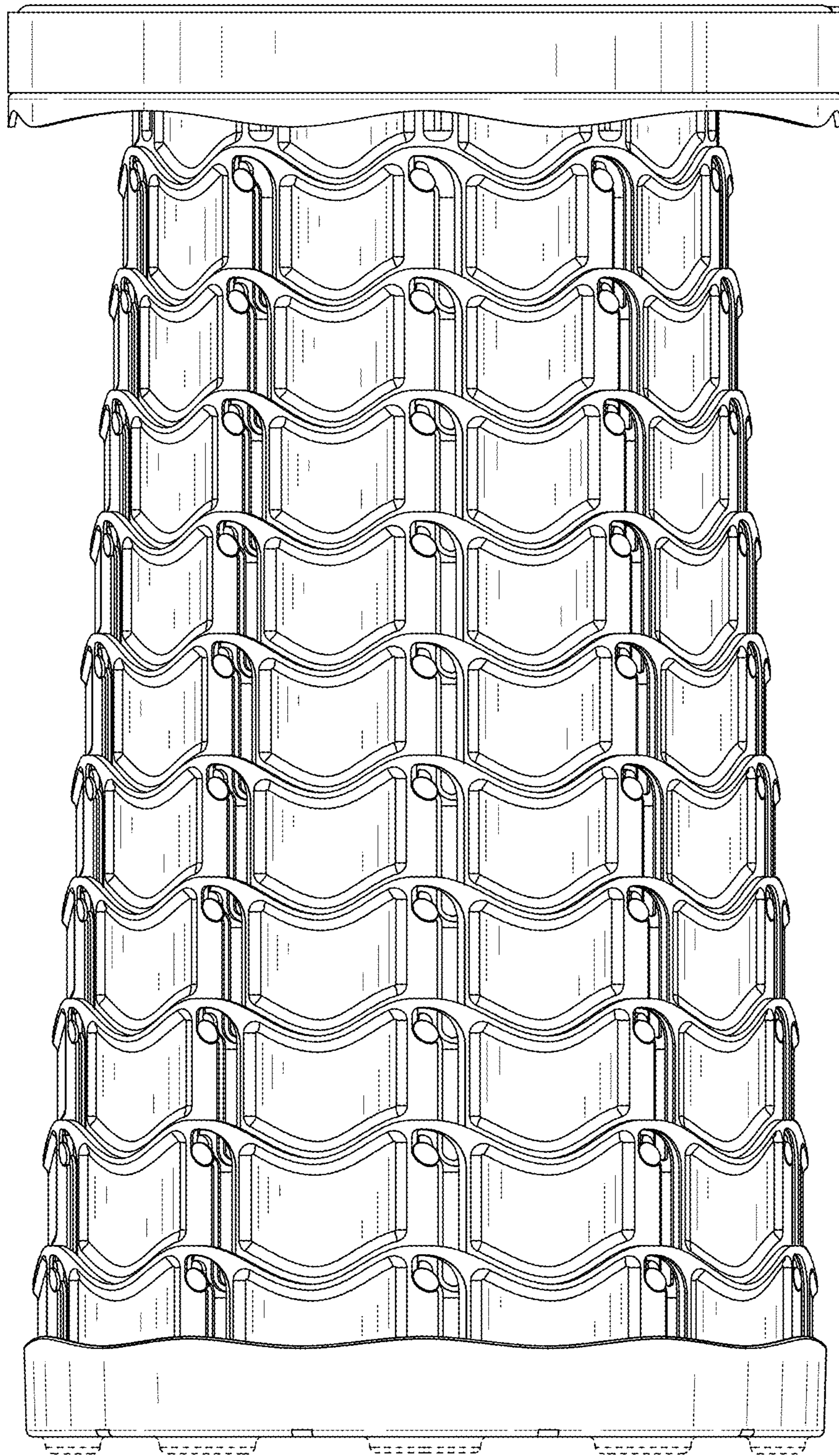


FIG. 5



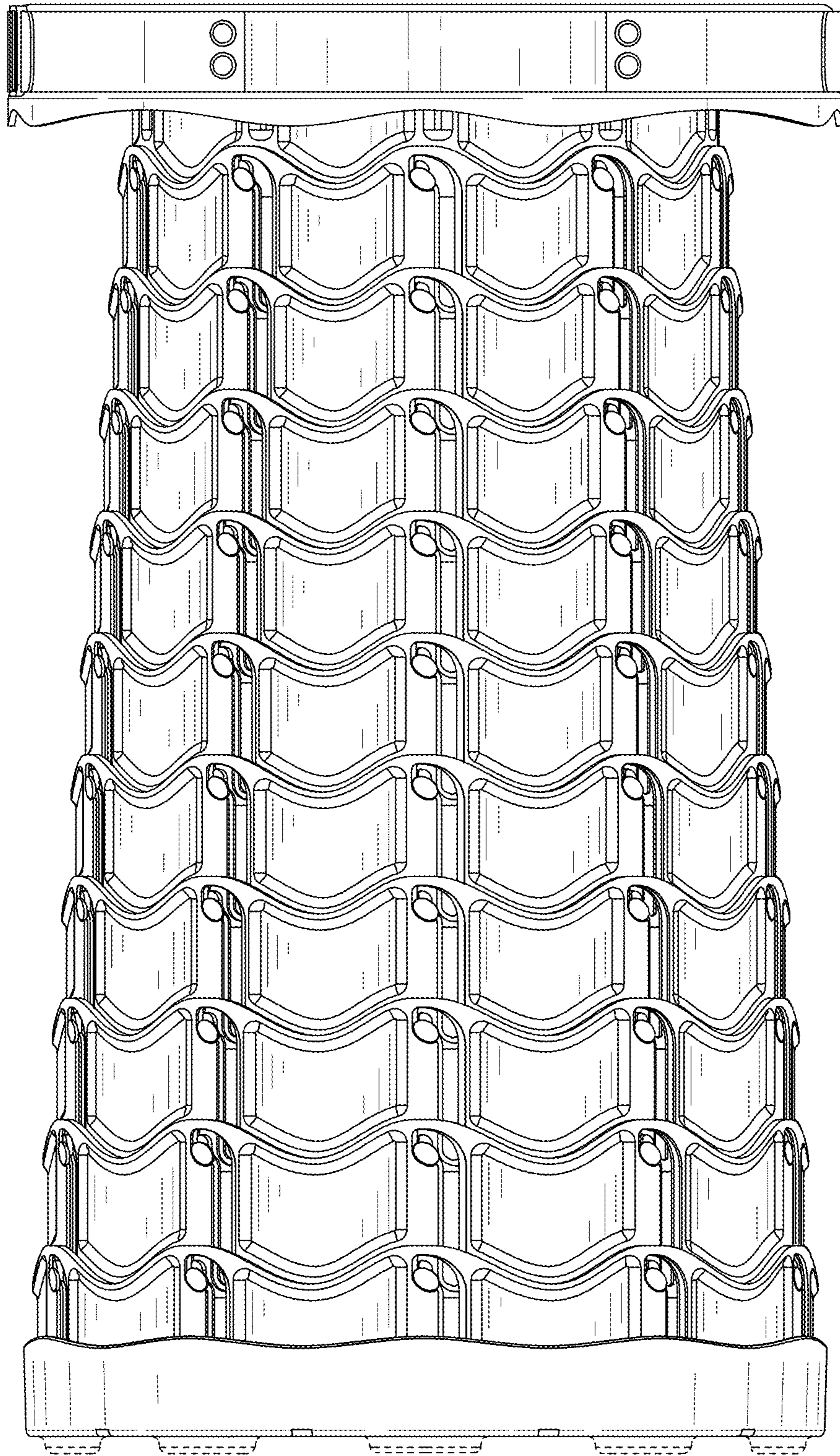


FIG. 6



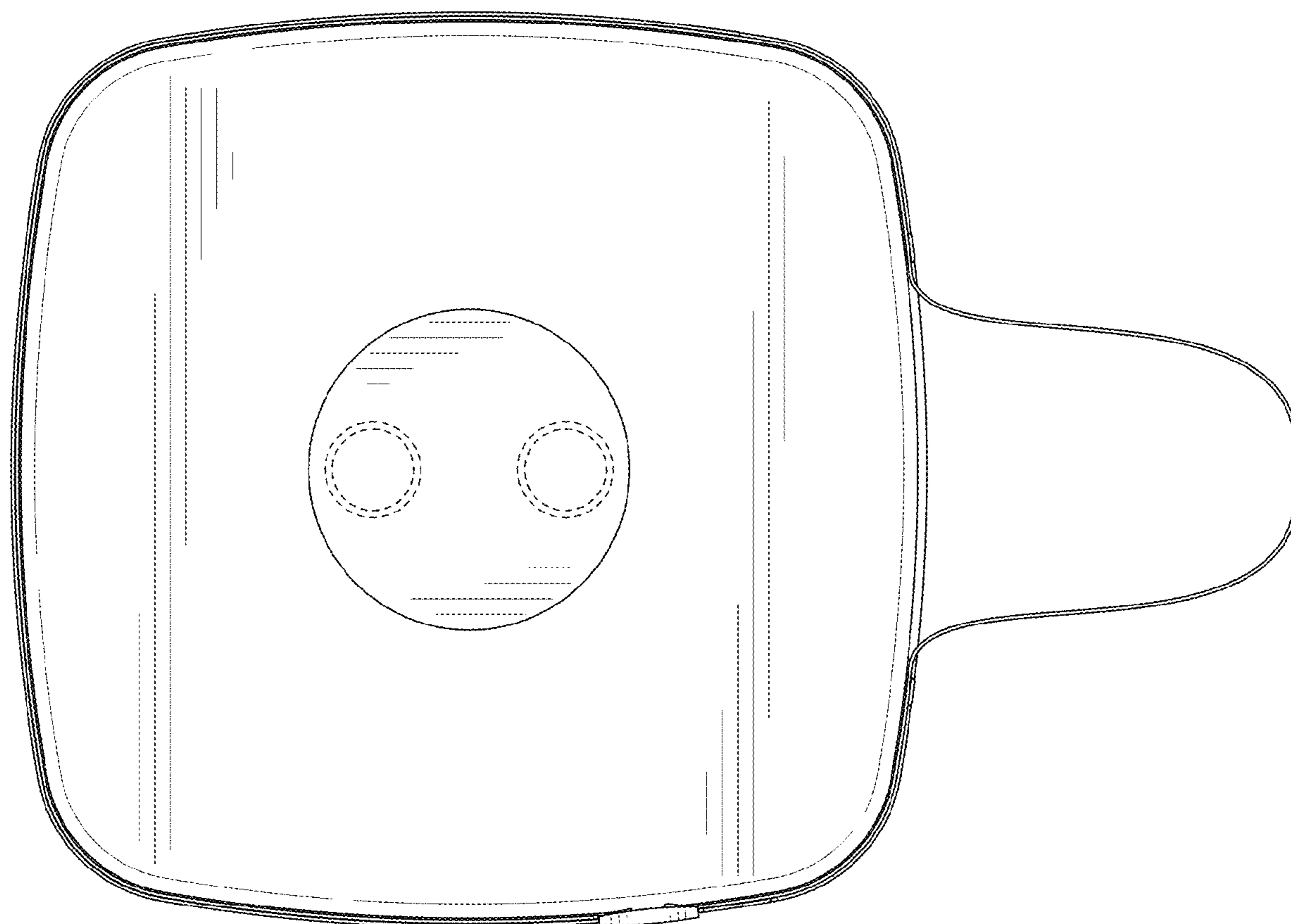


FIG. 7

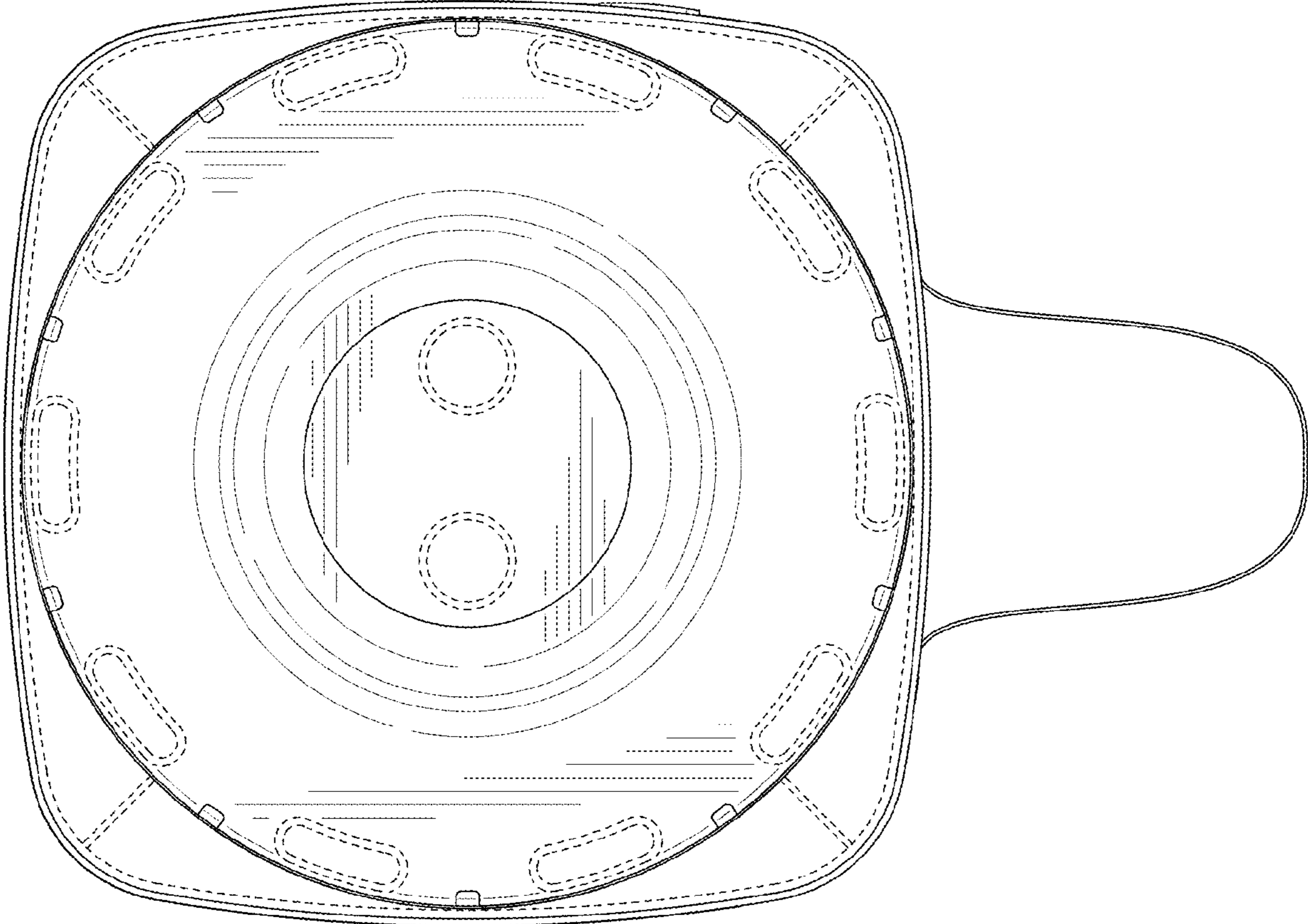


FIG. 8



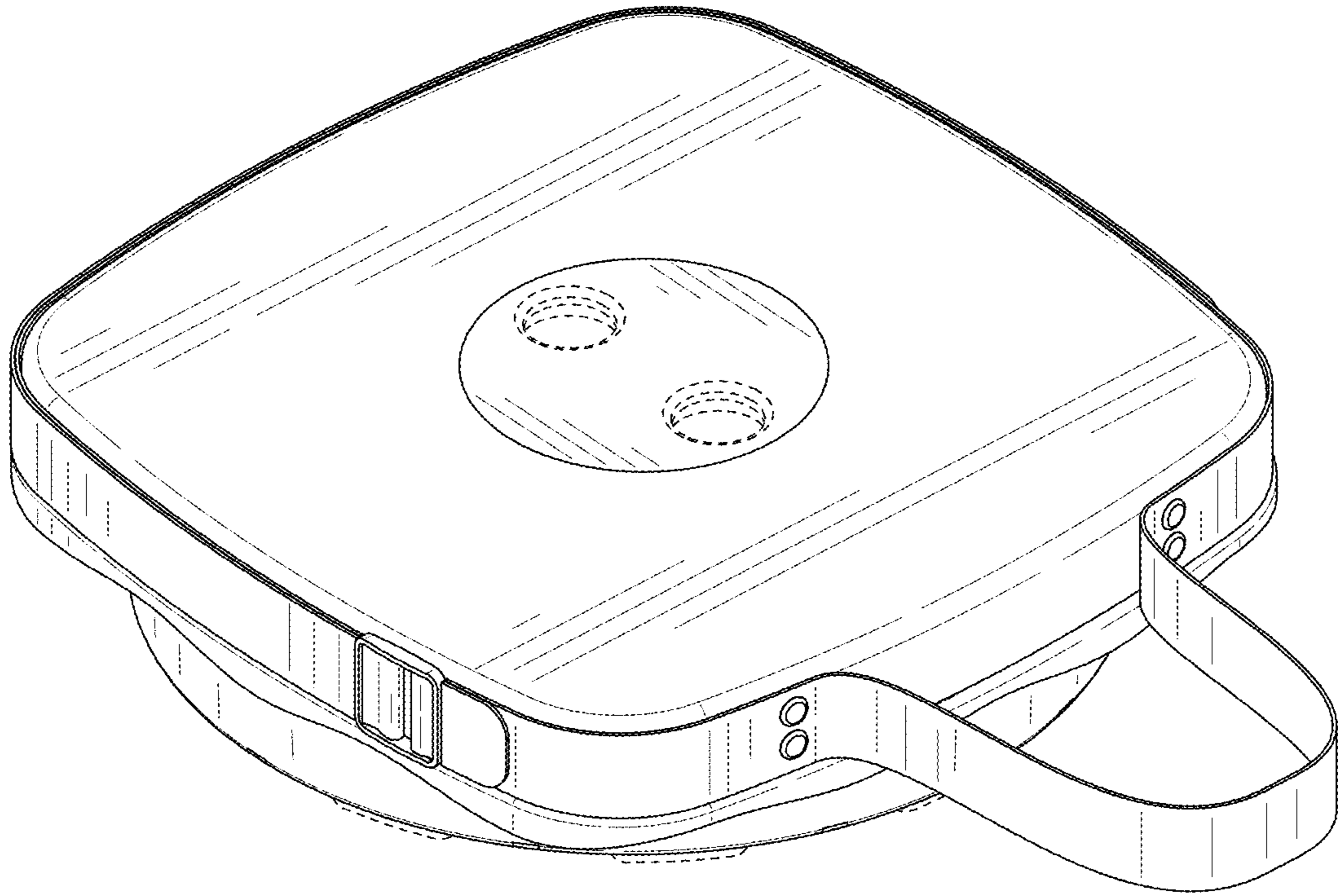


FIG. 9

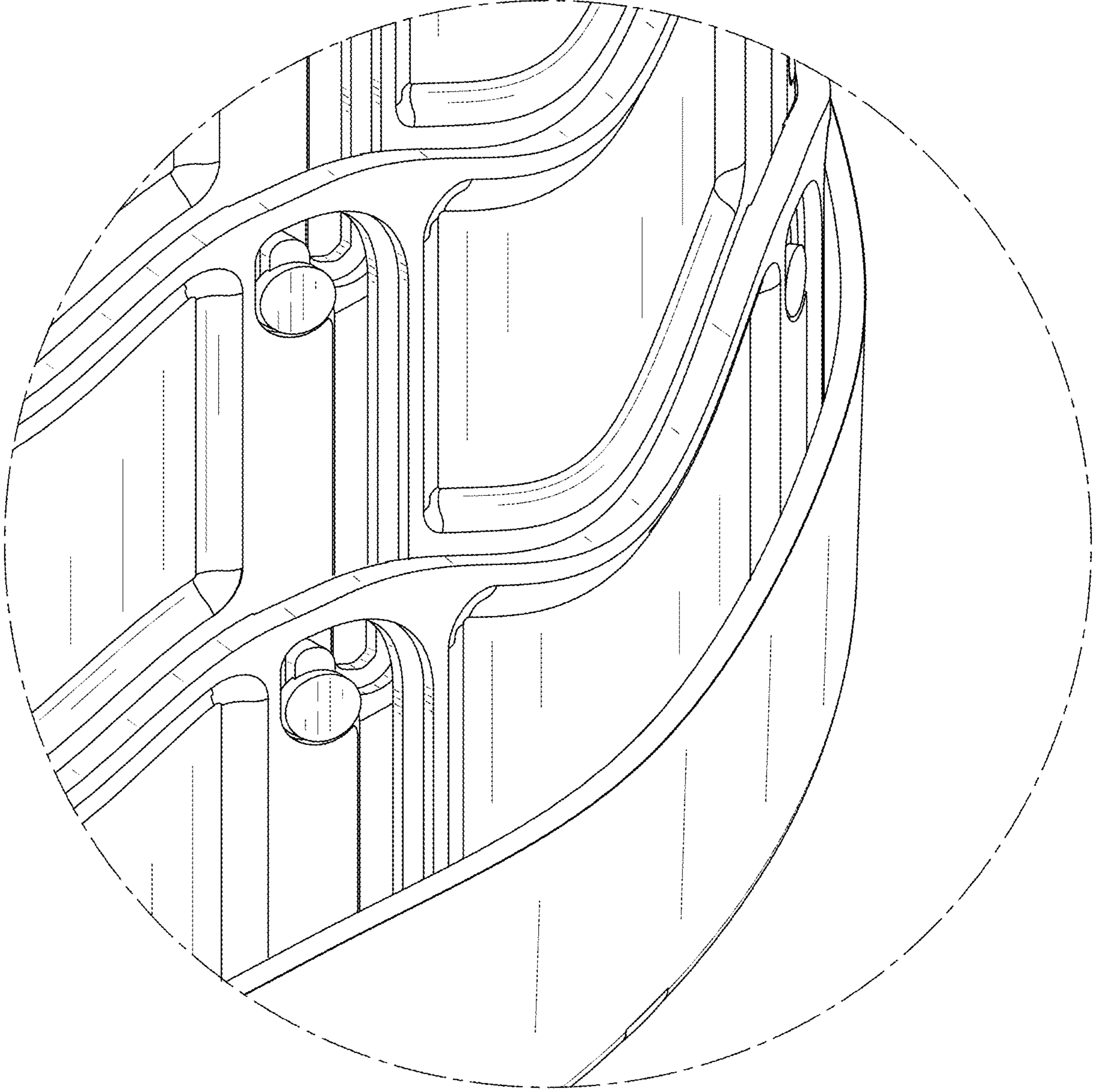


FIG. 10



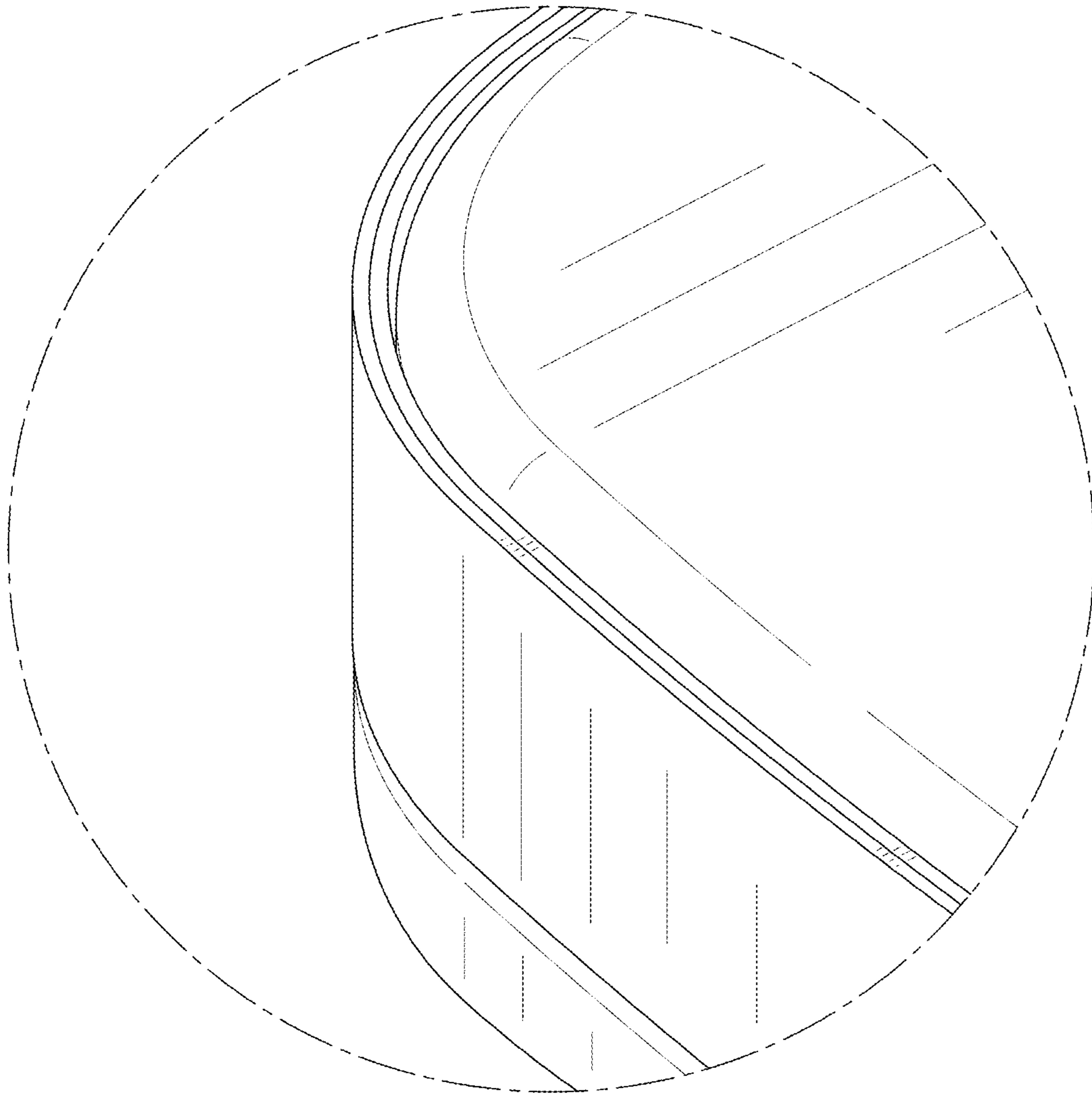


FIG. 11

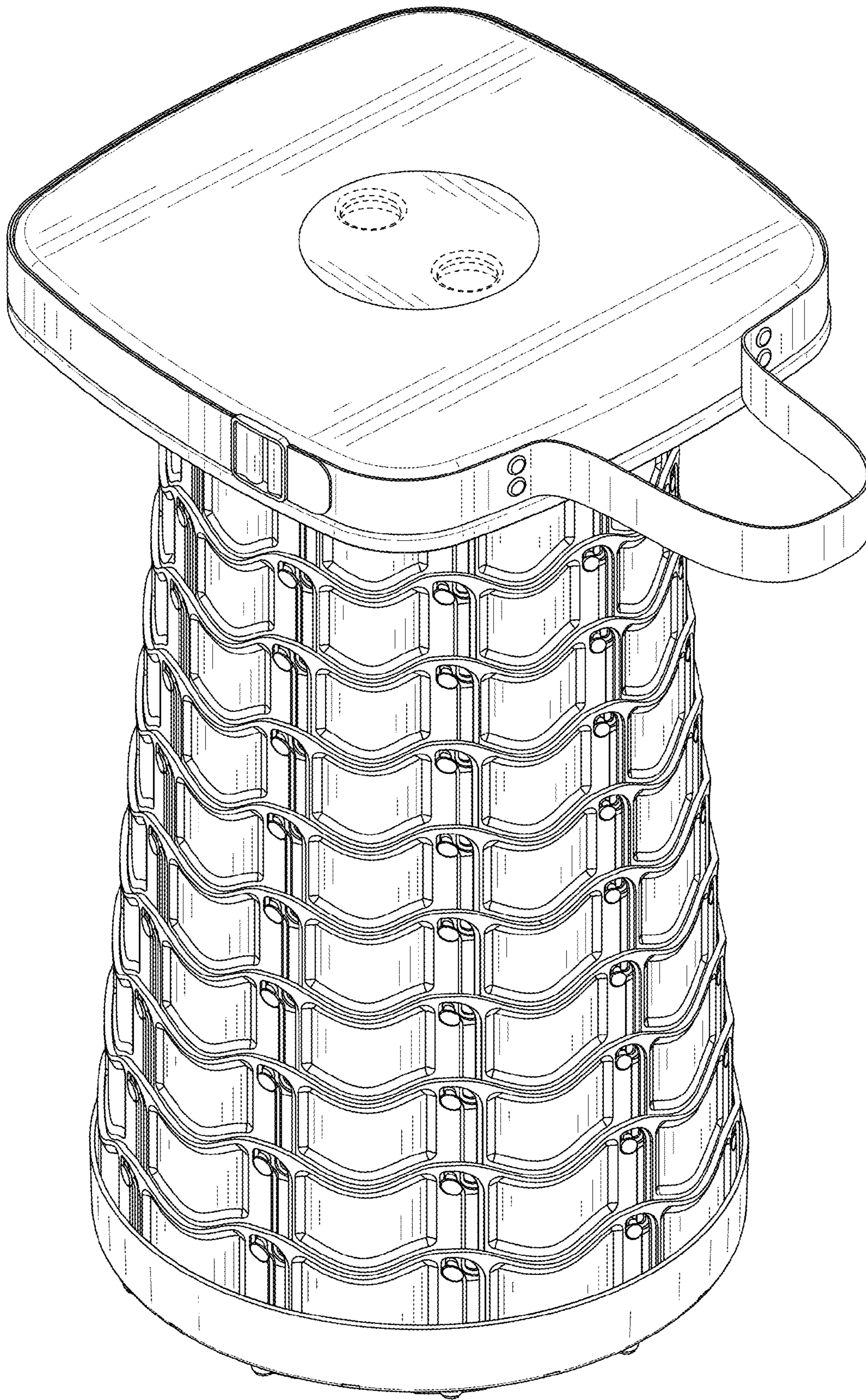


FIG. 12



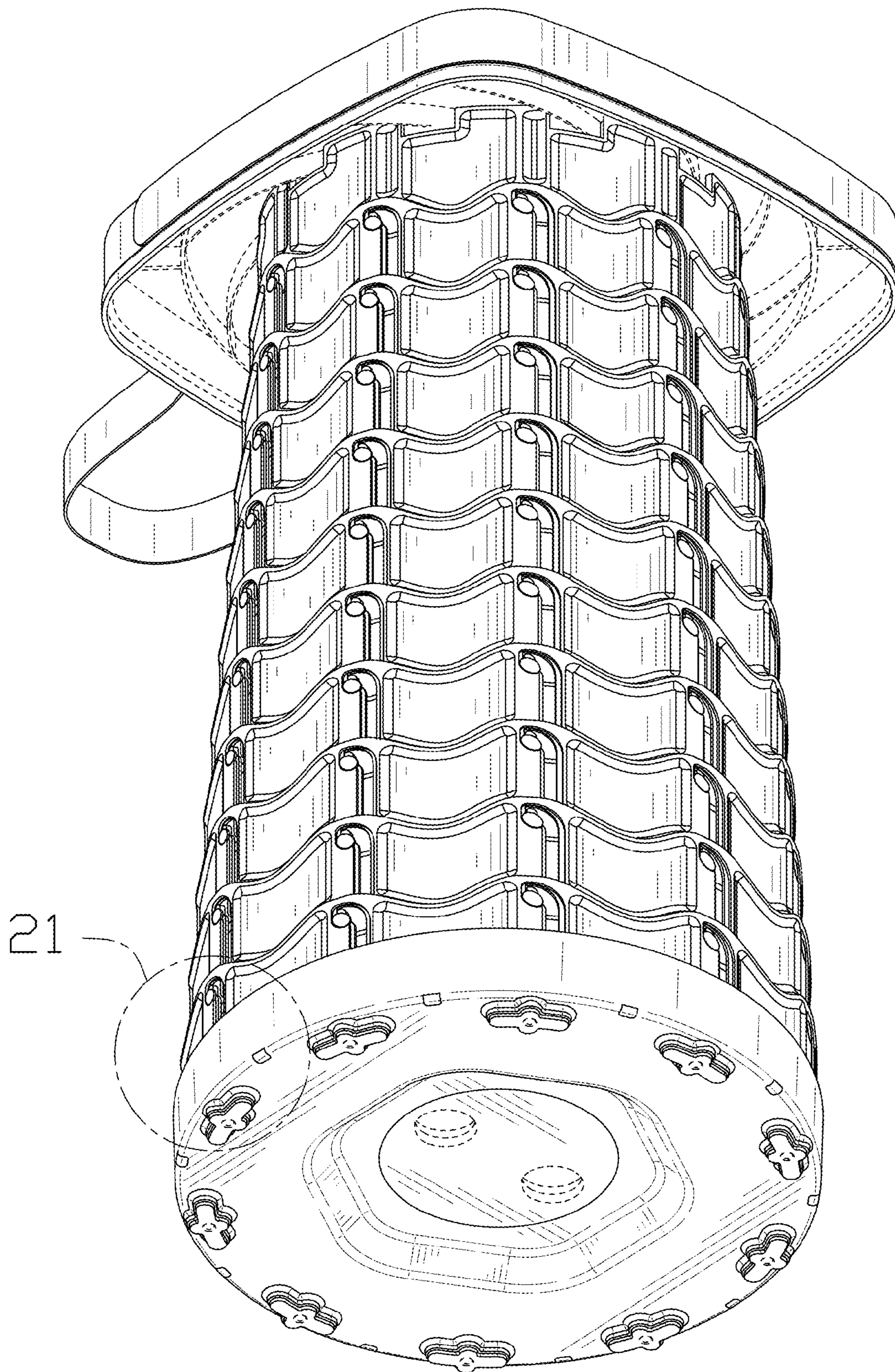


FIG. 13



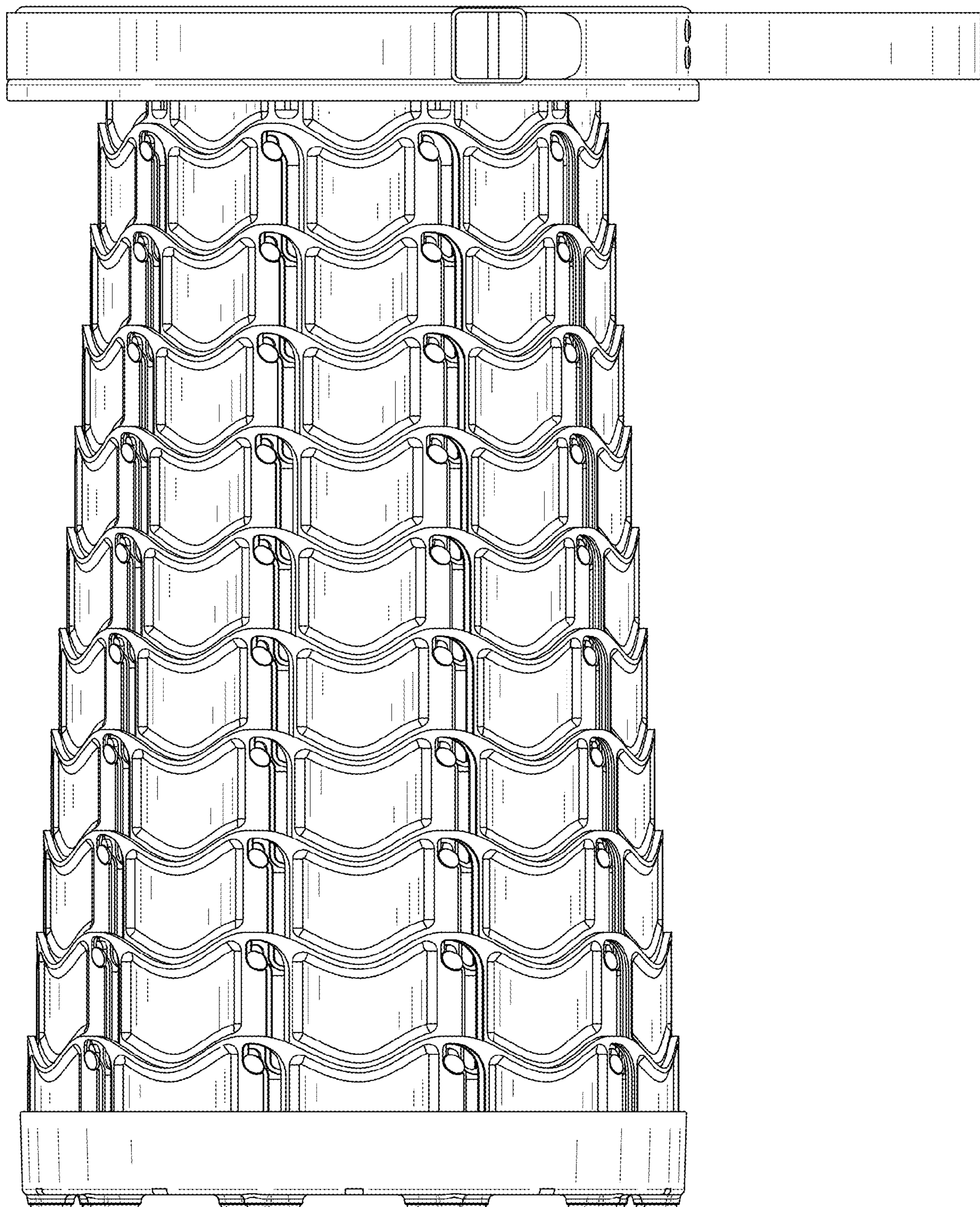


FIG. 14



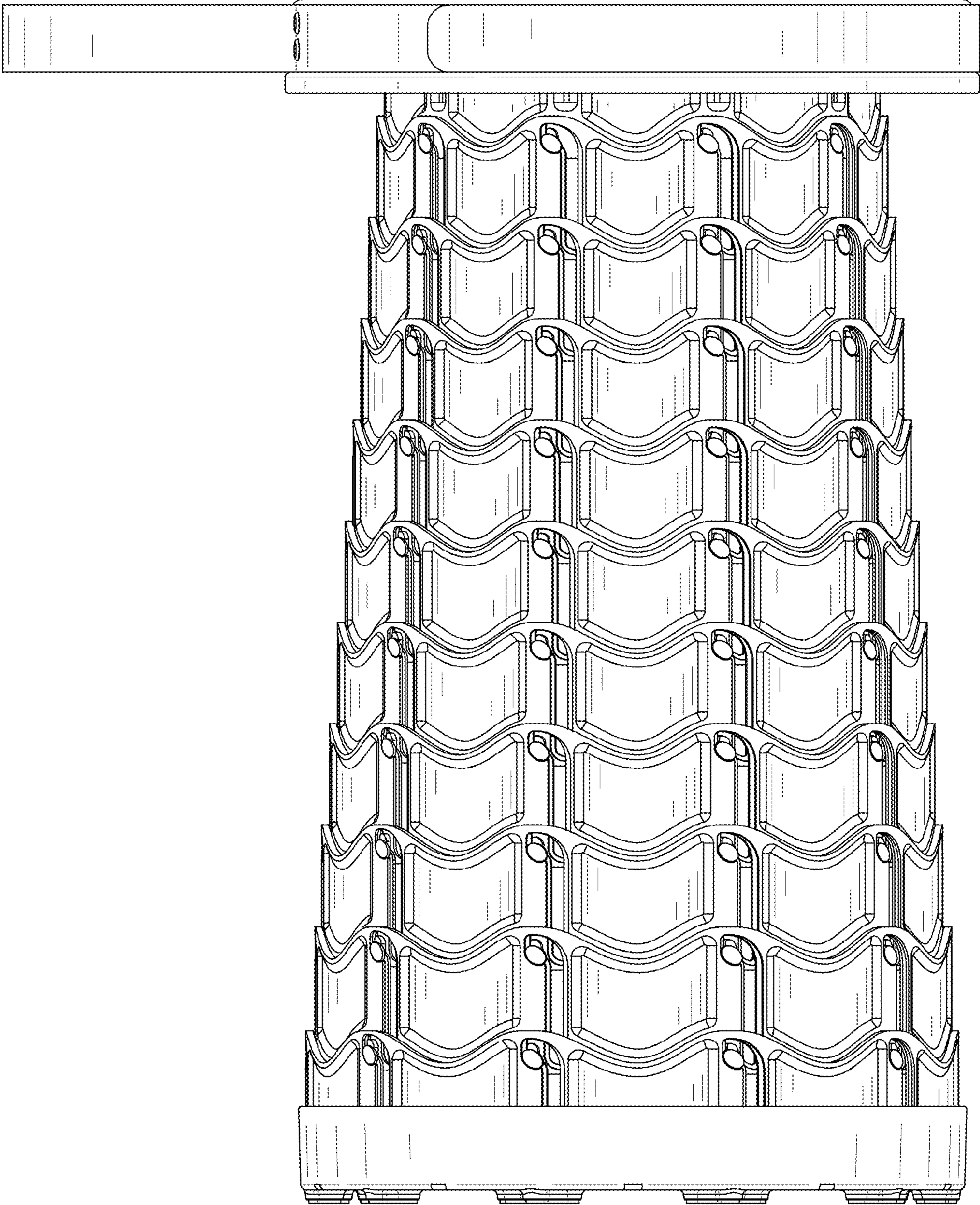


FIG. 15



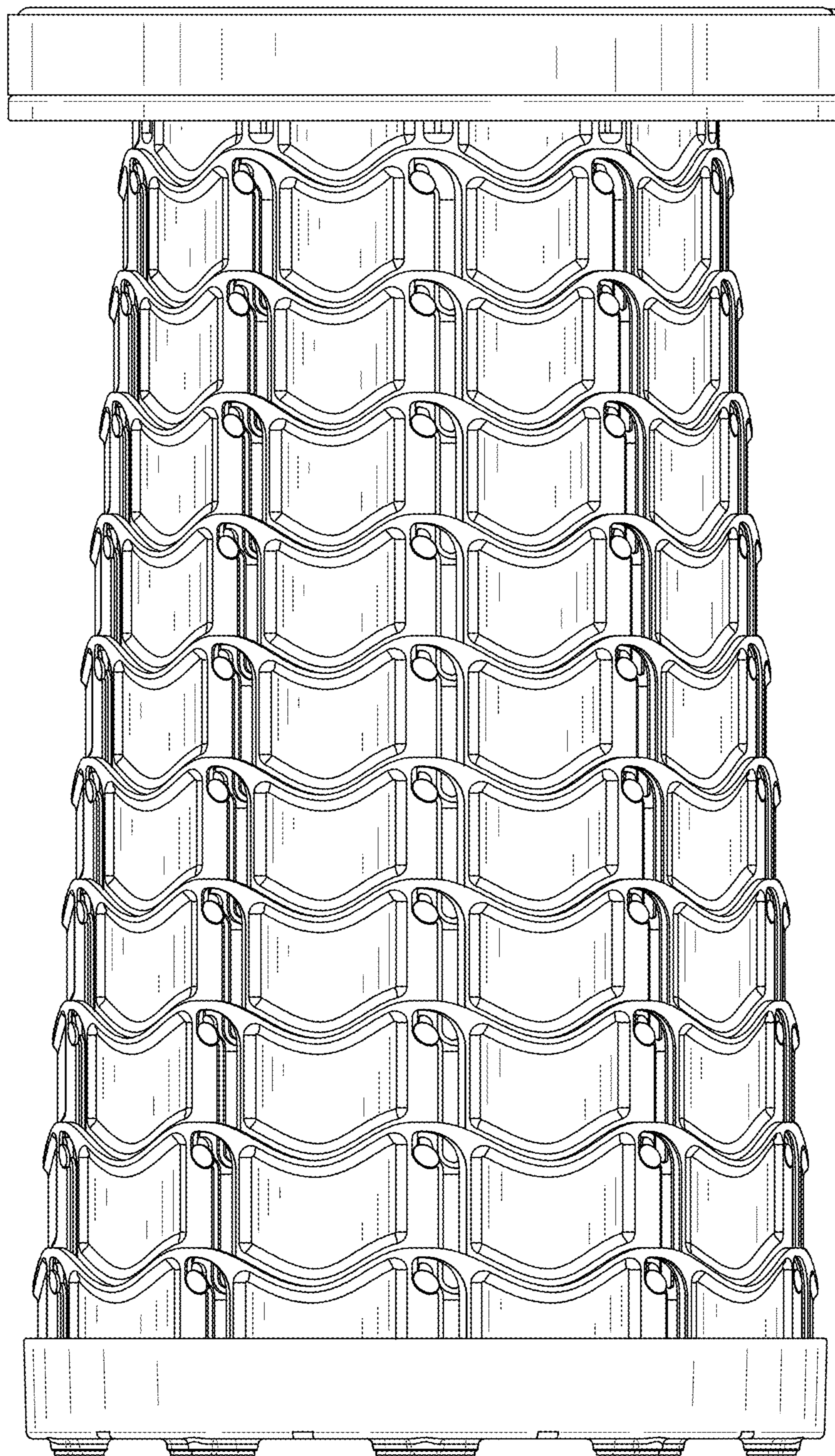


FIG. 16



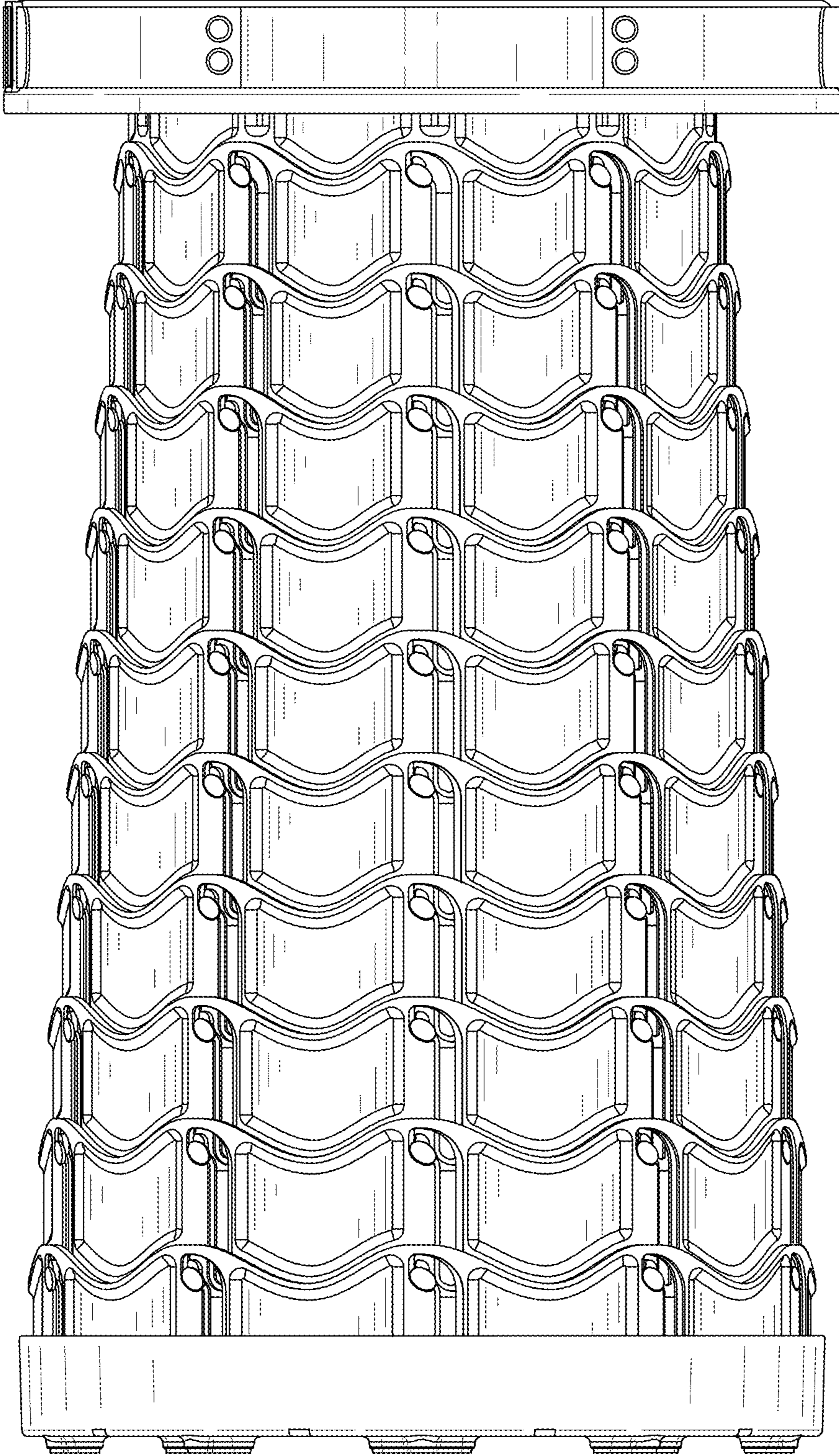


FIG. 17

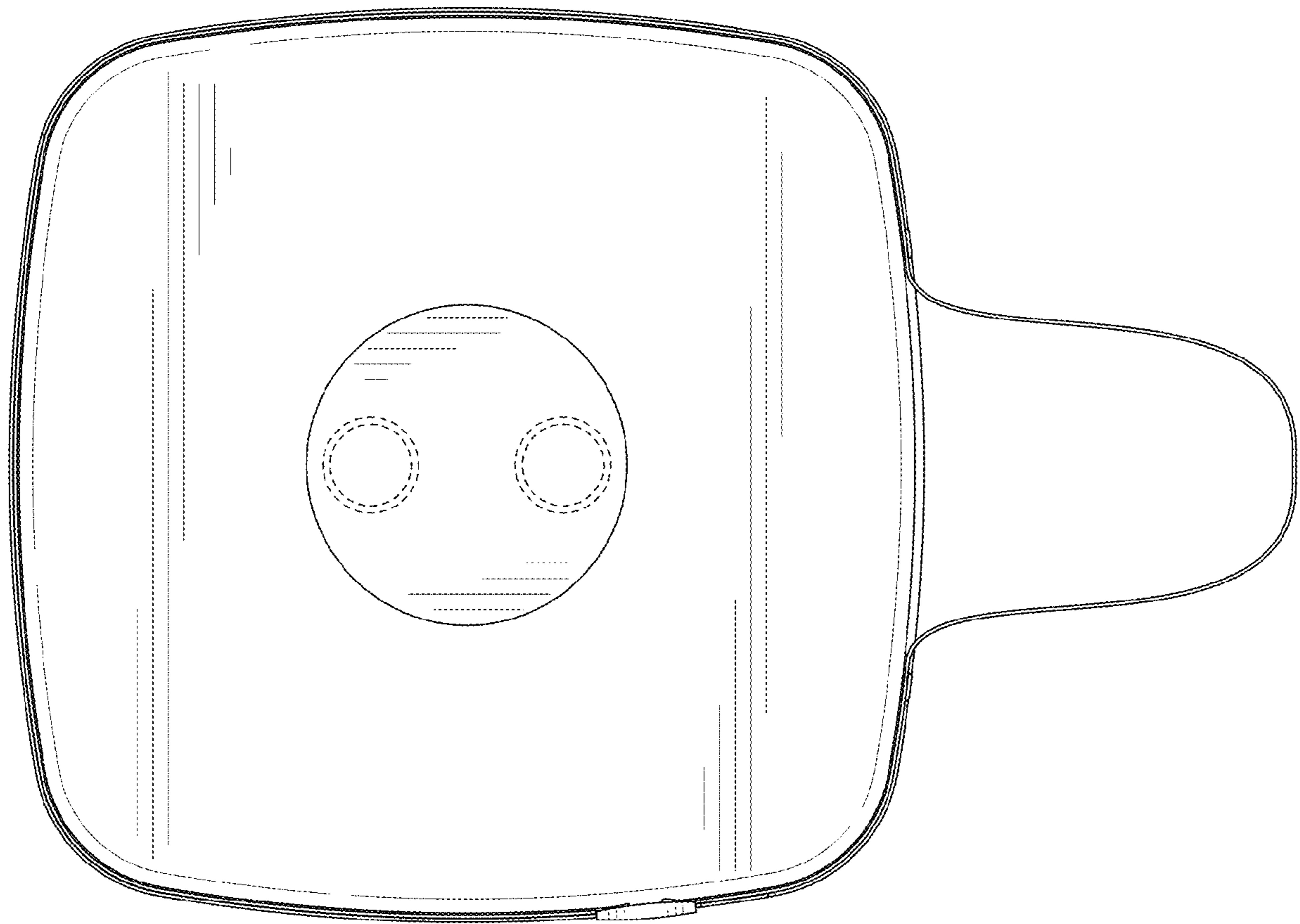


FIG. 18



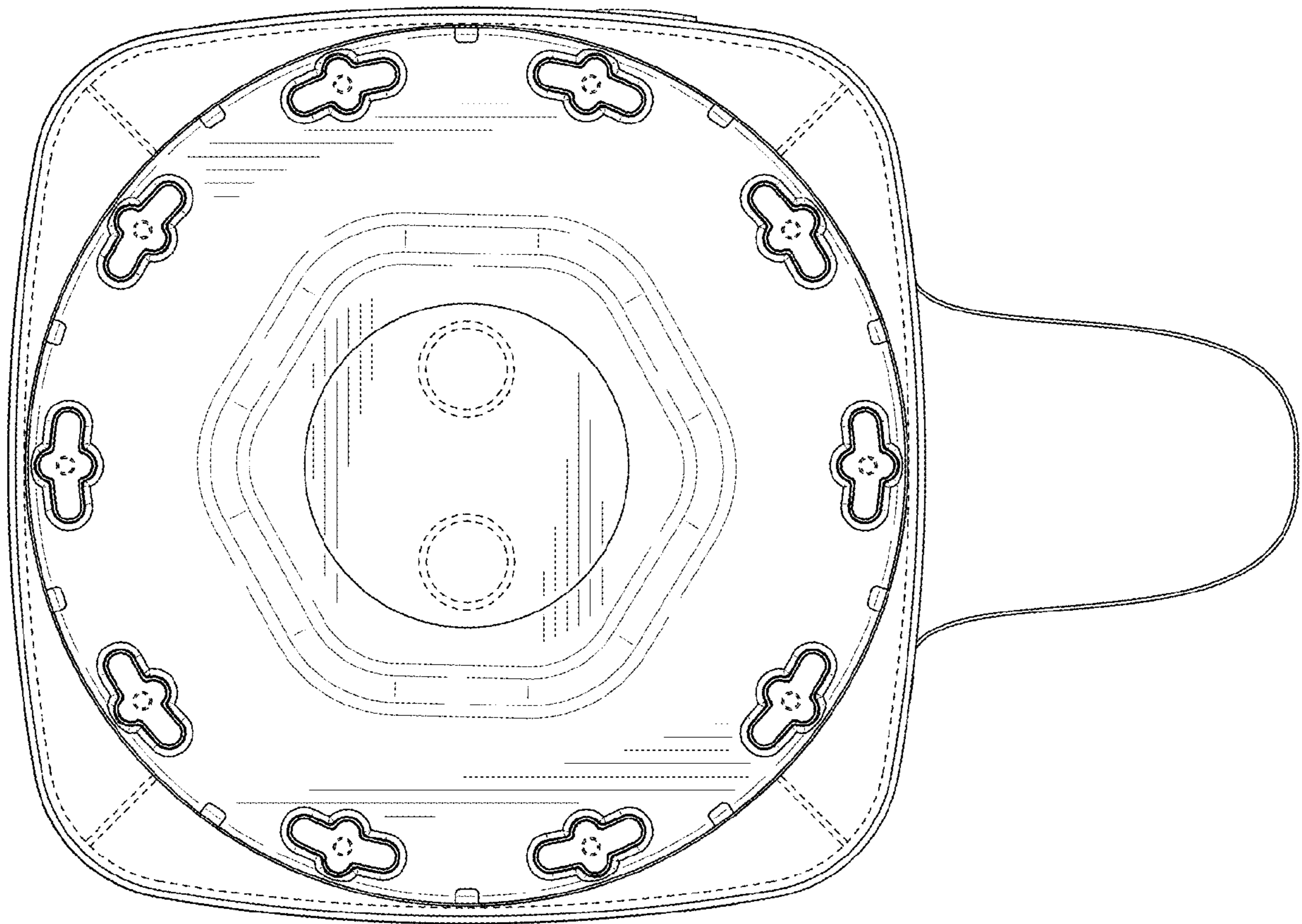


FIG. 19

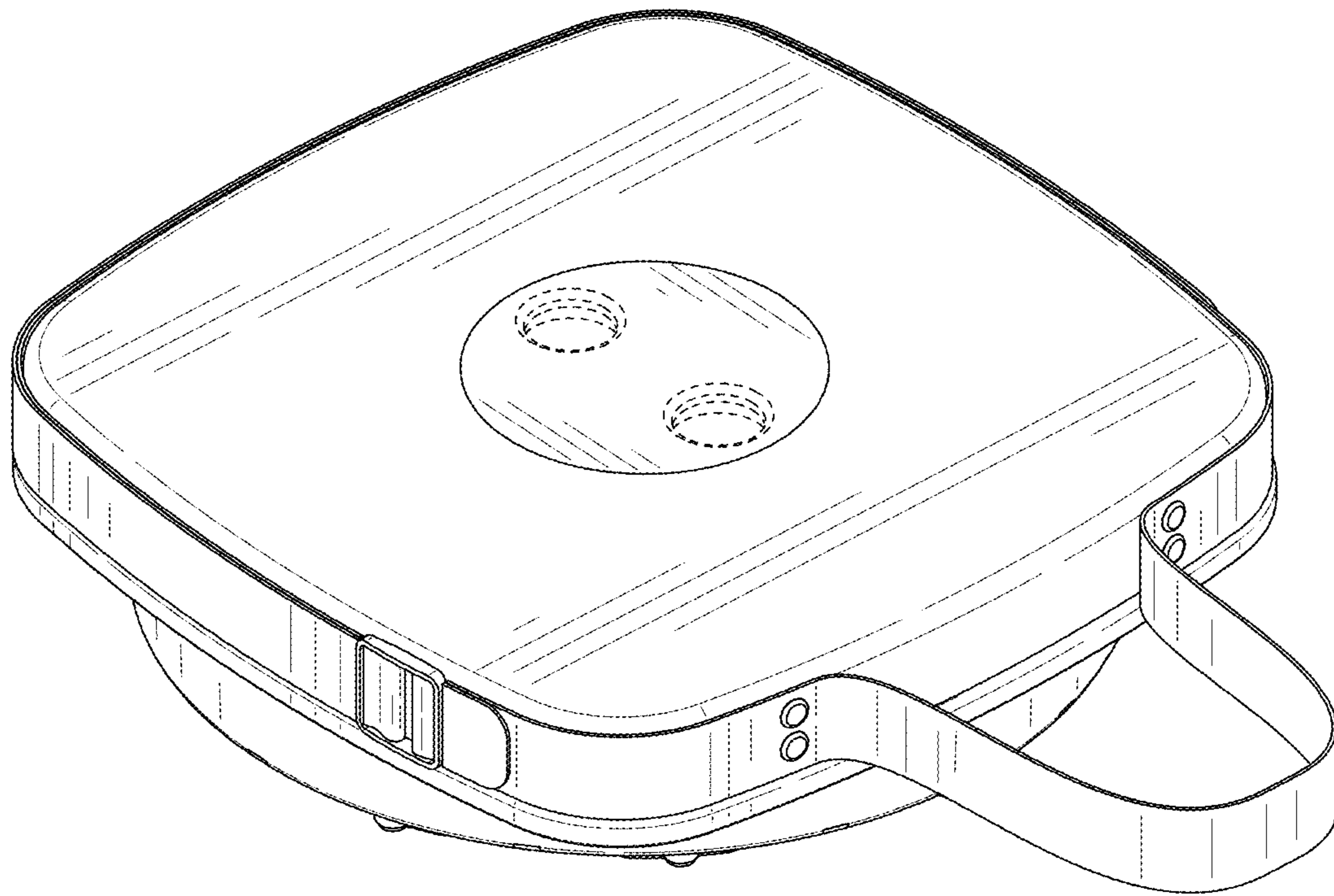


FIG. 20



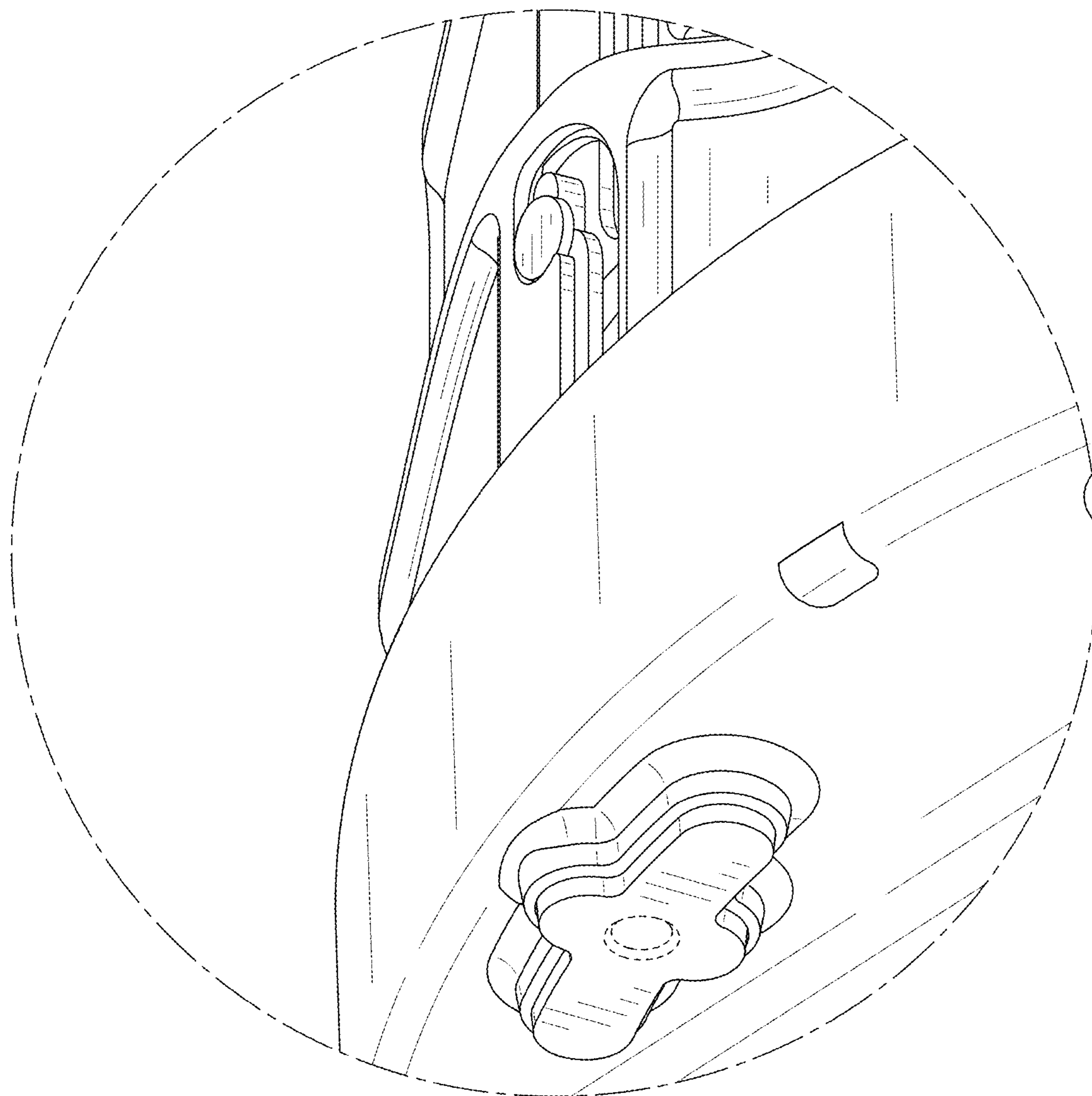


FIG. 21