



US00D959864S

(12) **United States Design Patent**  
**Wang**

(10) **Patent No.:** **US D959,864 S**

(45) **Date of Patent:** **\*\* Aug. 9, 2022**

(54) **STEP STOOL**

(71) Applicant: **Yanhui Wang**, Guangdong (CN)

(72) Inventor: **Yanhui Wang**, Guangdong (CN)

(\*\*) Term: **15 Years**

(21) Appl. No.: **29/801,161**

(22) Filed: **Jul. 27, 2021**

(51) **LOC (13) Cl.** ..... **06-01**

(52) **U.S. Cl.**

USPC ..... **D6/349**

(58) **Field of Classification Search**

USPC .... D25/65, 68, 349, 336; D6/349, 350, 353,  
D6/691, 686

CPC .. A47C 12/00; A47C 4/20; A47C 9/10; A47C  
31/11; A47C 4/10; A47C 9/00

See application file for complete search history.

(56) **References Cited**

**U.S. PATENT DOCUMENTS**

D546,588 S \* 7/2007 Massaud ..... D6/691  
D615,667 S 5/2010 Dunn

D805,795 S \* 12/2017 Allen ..... D6/349  
D815,473 S \* 4/2018 Westergard ..... D6/686  
D860,663 S \* 9/2019 Zioni ..... D6/353

\* cited by examiner

*Primary Examiner* — Gino Colan

(74) *Attorney, Agent, or Firm* — ScienBiziP, P.C.

(57) **CLAIM**

The ornamental design for a step stool, as shown and described.

**DESCRIPTION**

FIG. 1 is a front, right, and top perspective view of a step stool, showing my design.

FIG. 2 is a rear, right, and bottom perspective view thereof.

FIG. 3 is a front elevation view thereof.

FIG. 4 is a rear elevation view thereof.

FIG. 5 is a left side elevation view thereof.

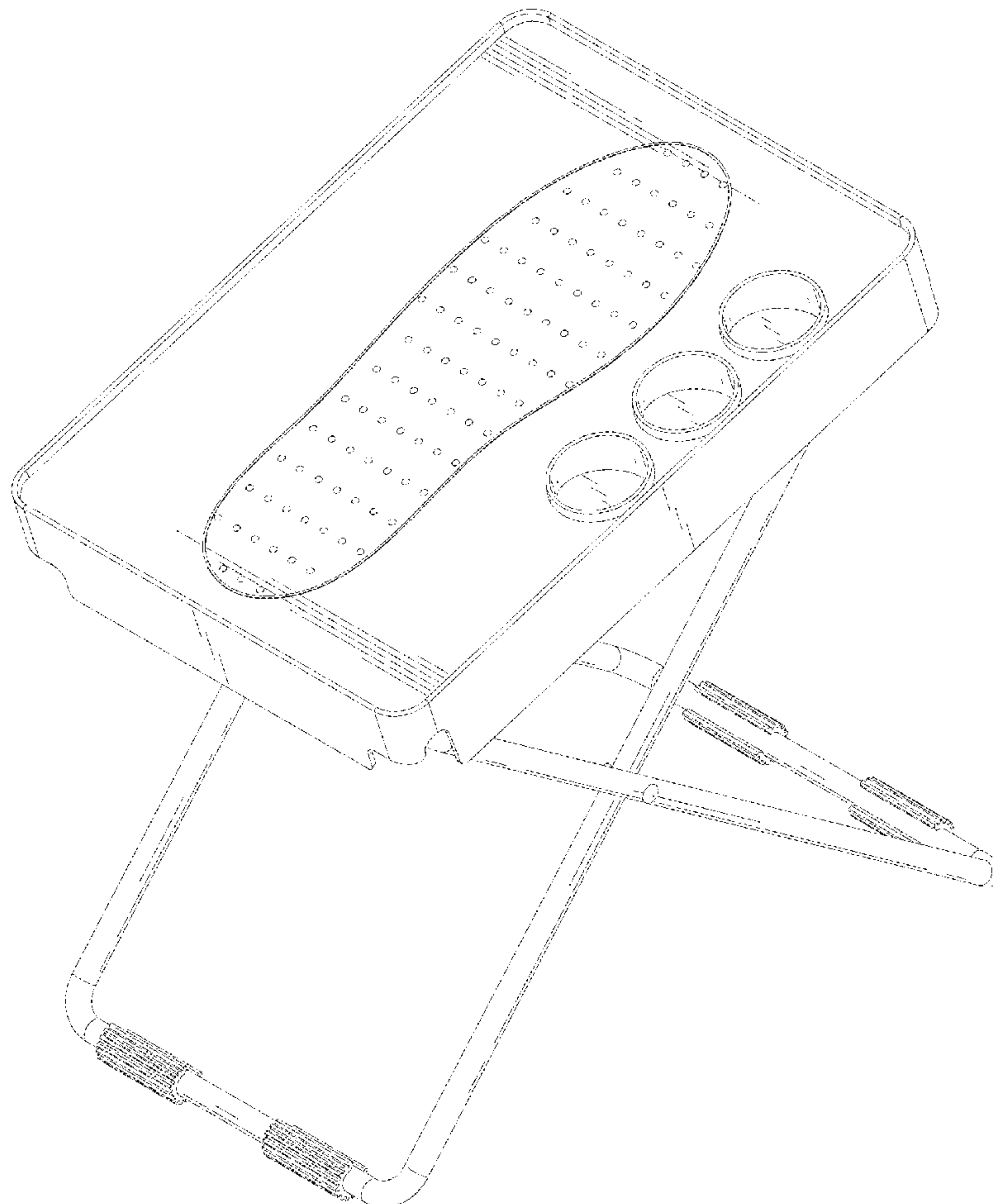
FIG. 6 is a right side elevation view thereof.

FIG. 7 is a top plan view thereof; and,

FIG. 8 is a bottom plan view thereof.

The broken lines shown in the drawings are included for the purpose of illustrating portions of the step stool that form no part of the claimed design.

**1 Claim, 8 Drawing Sheets**



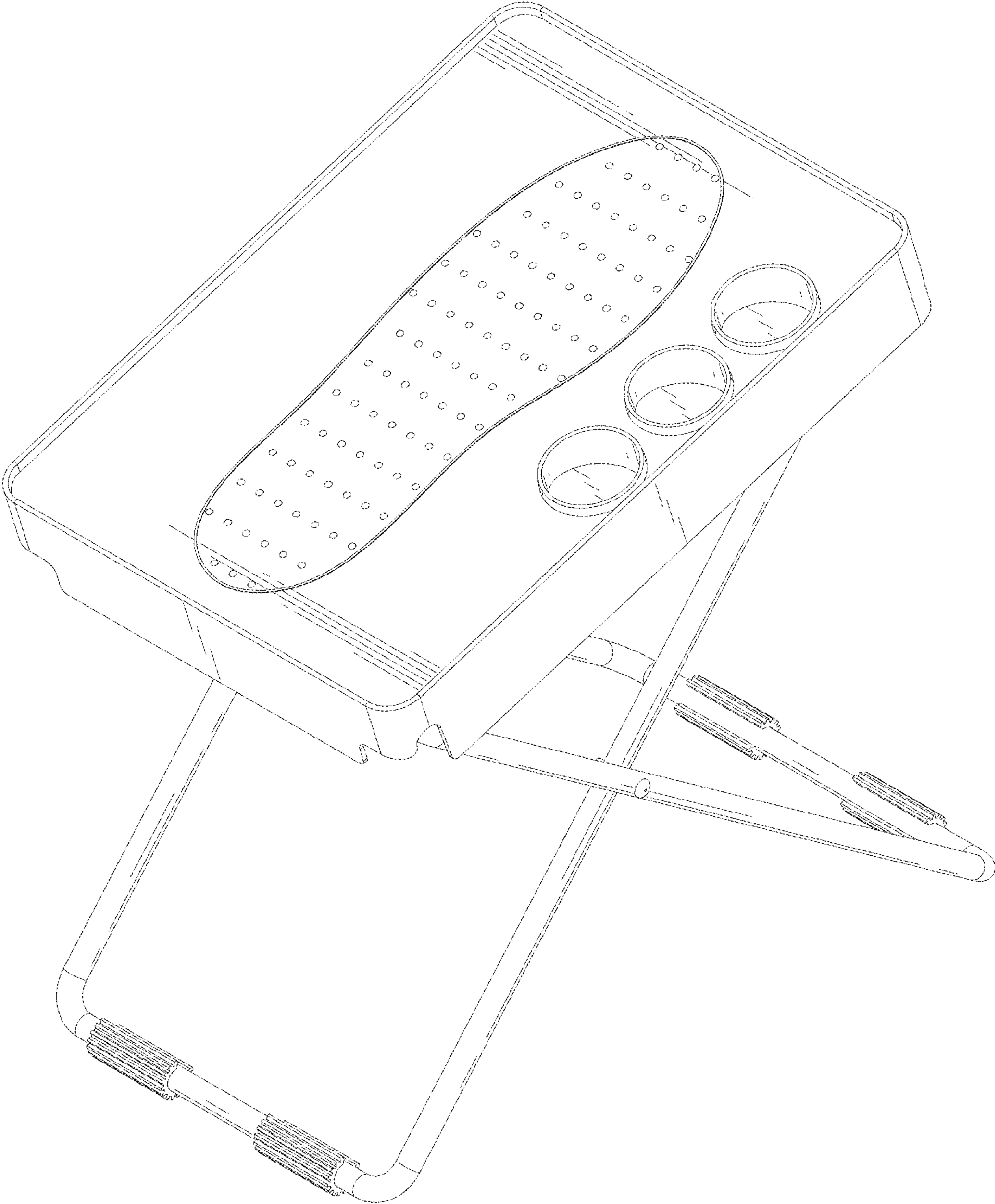


FIG.1

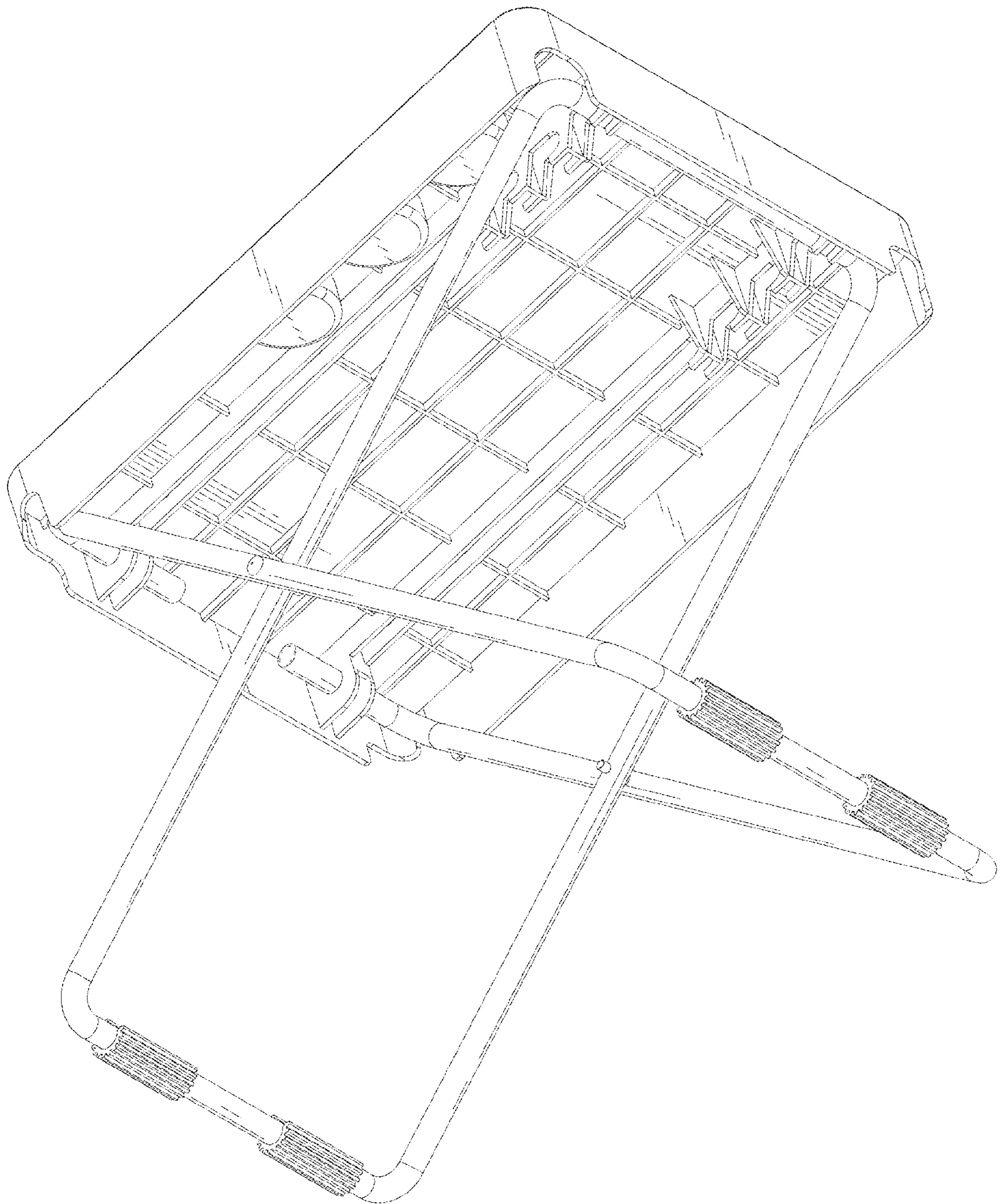


FIG. 2



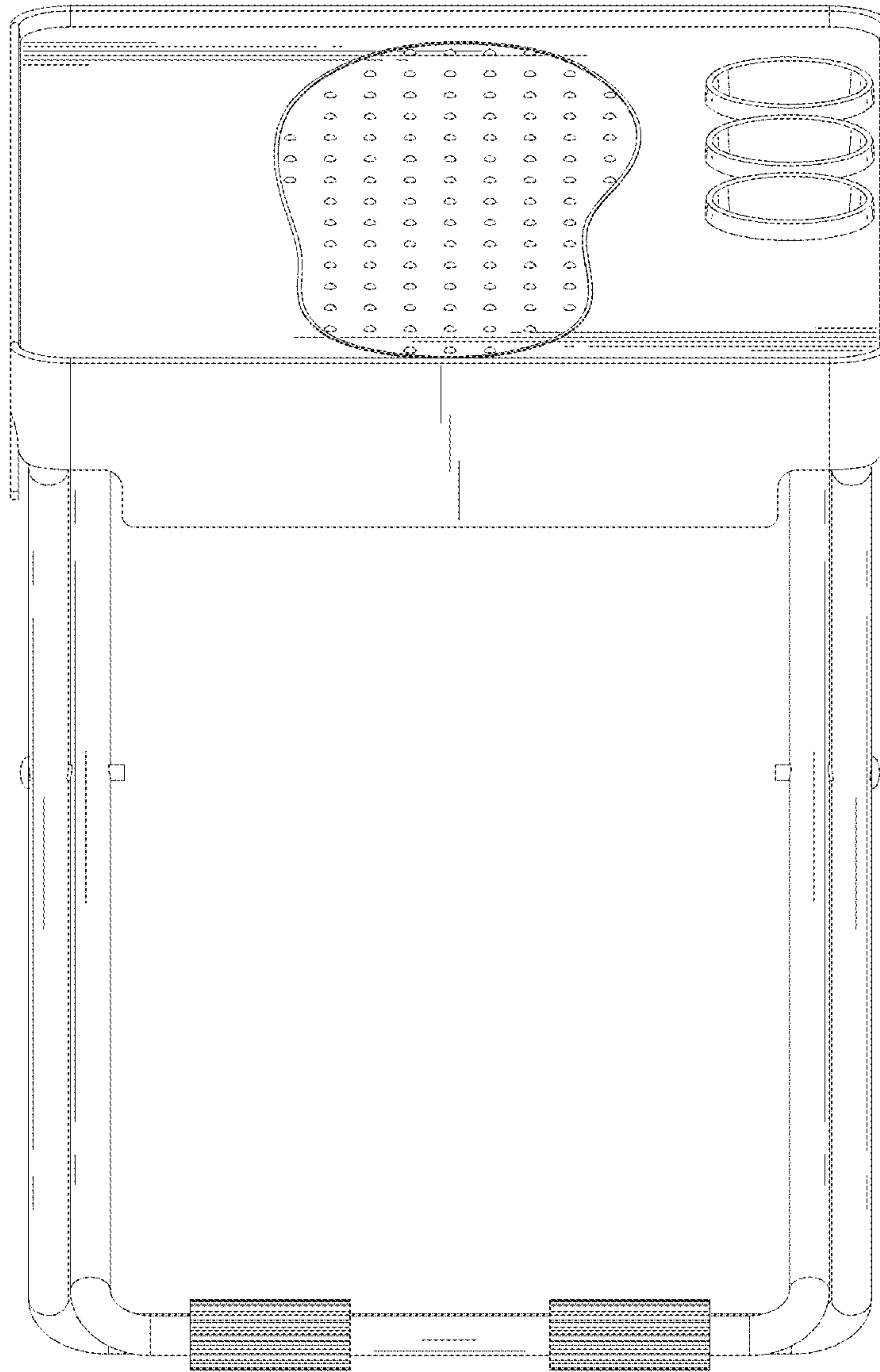


FIG.3

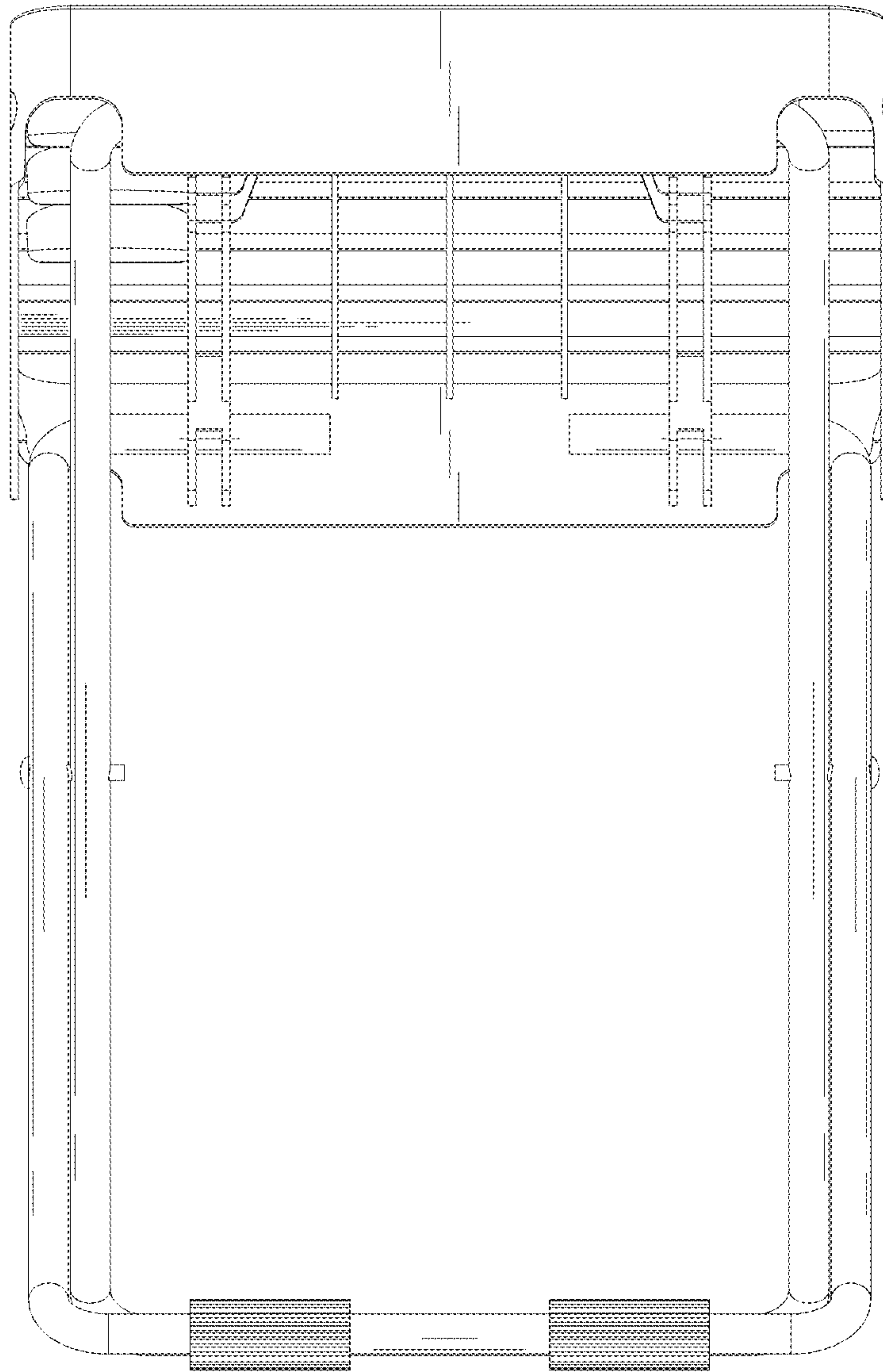


FIG.4

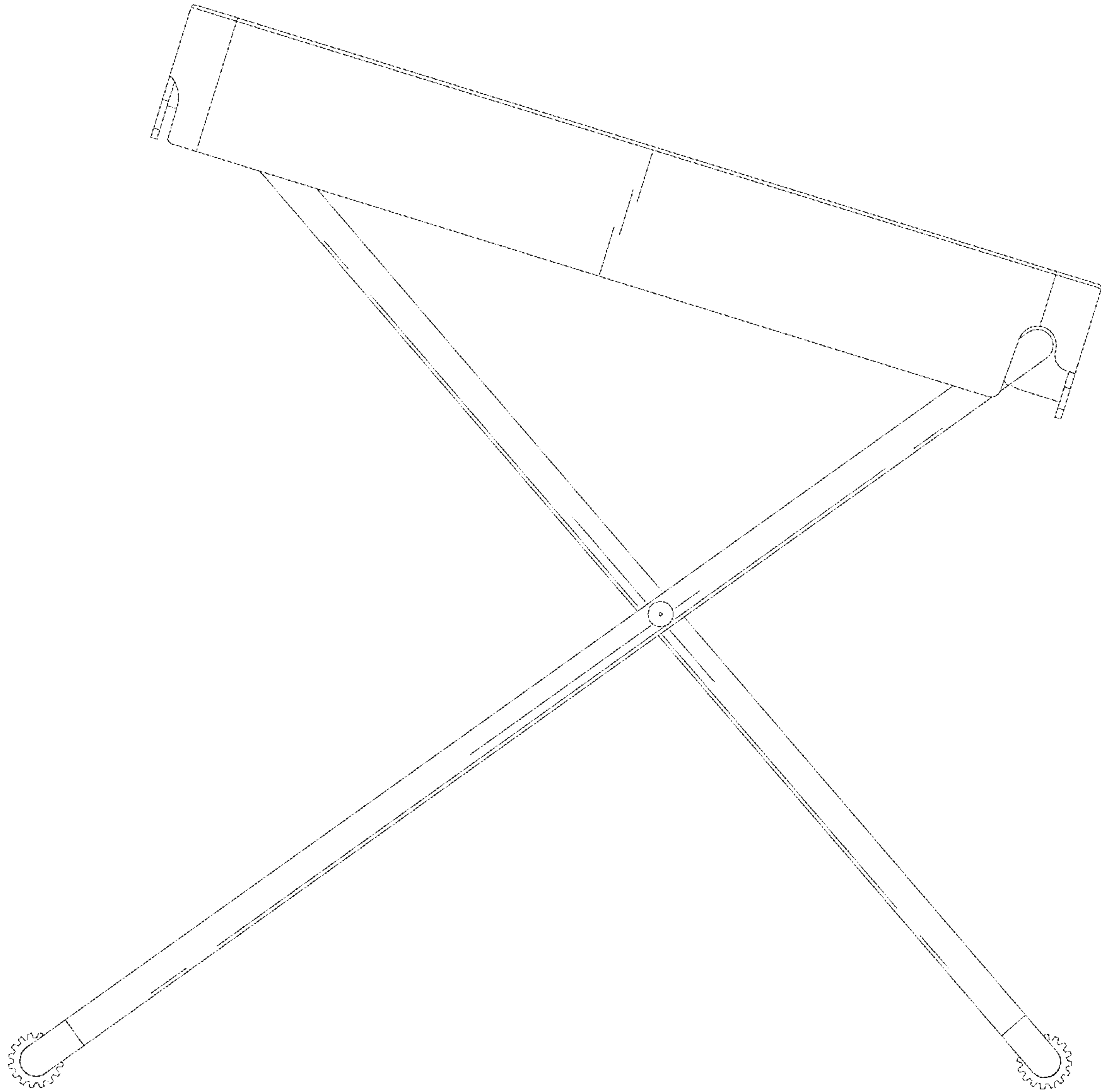


FIG.5

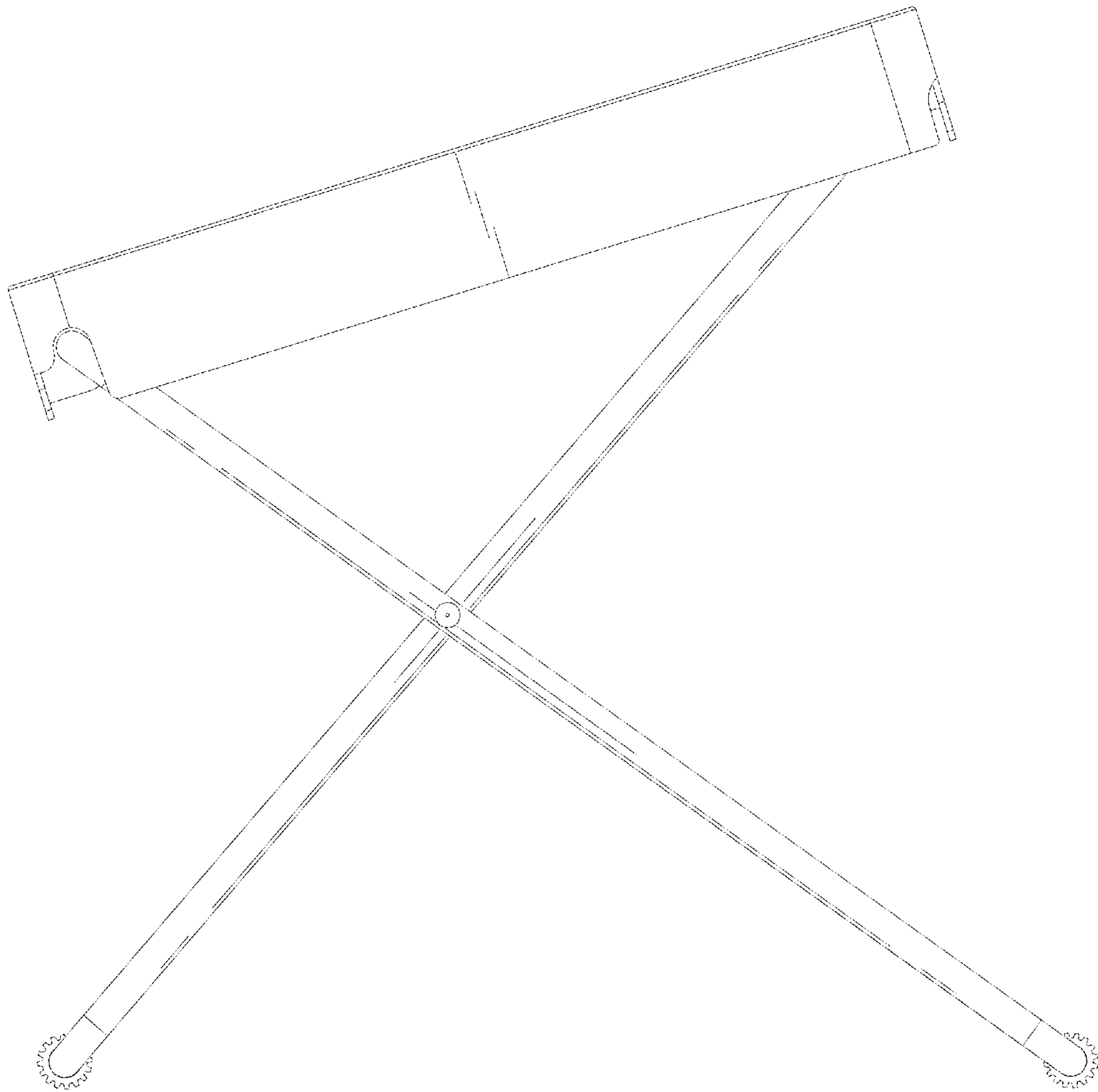


FIG. 6

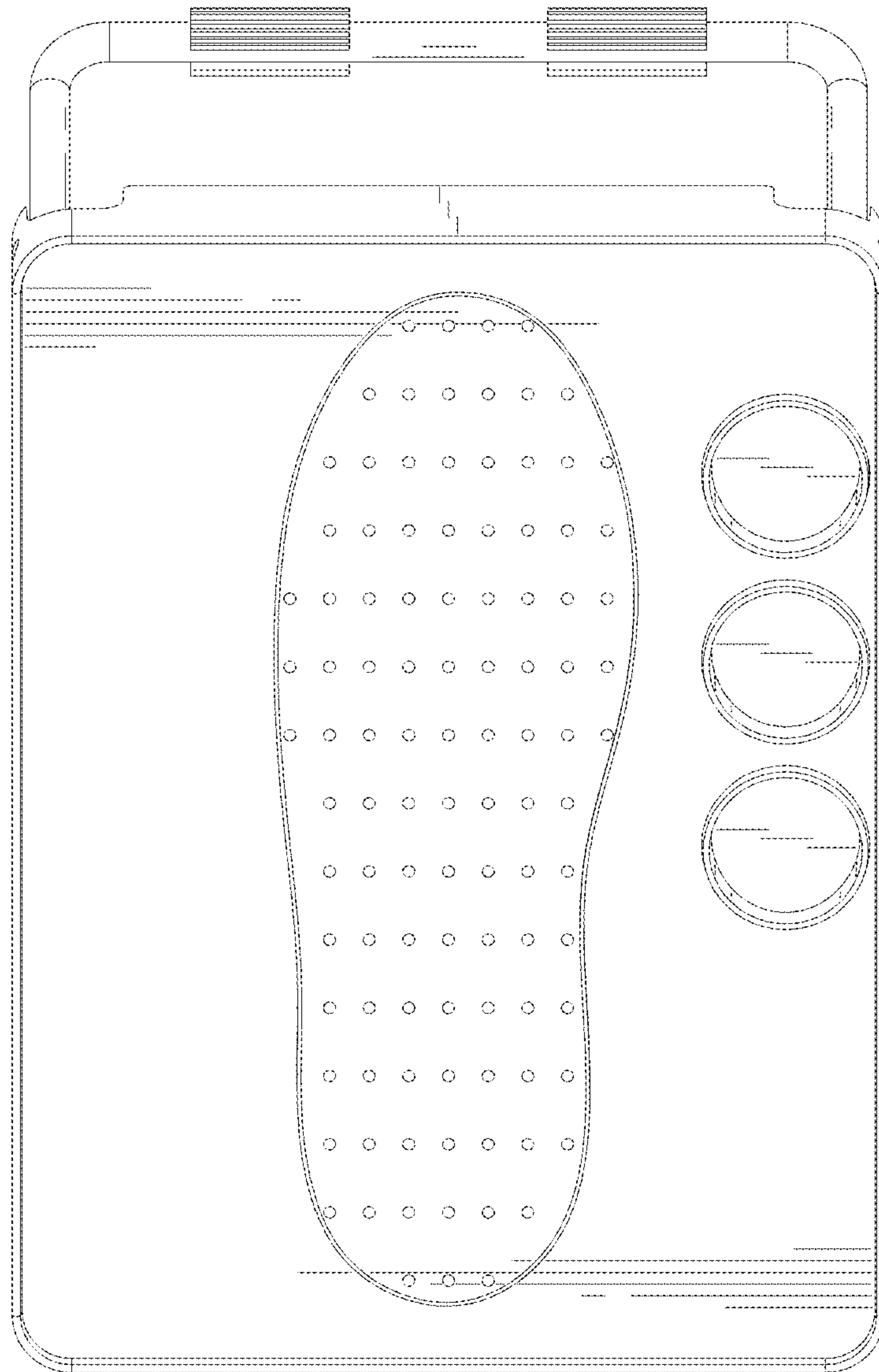


FIG. 7



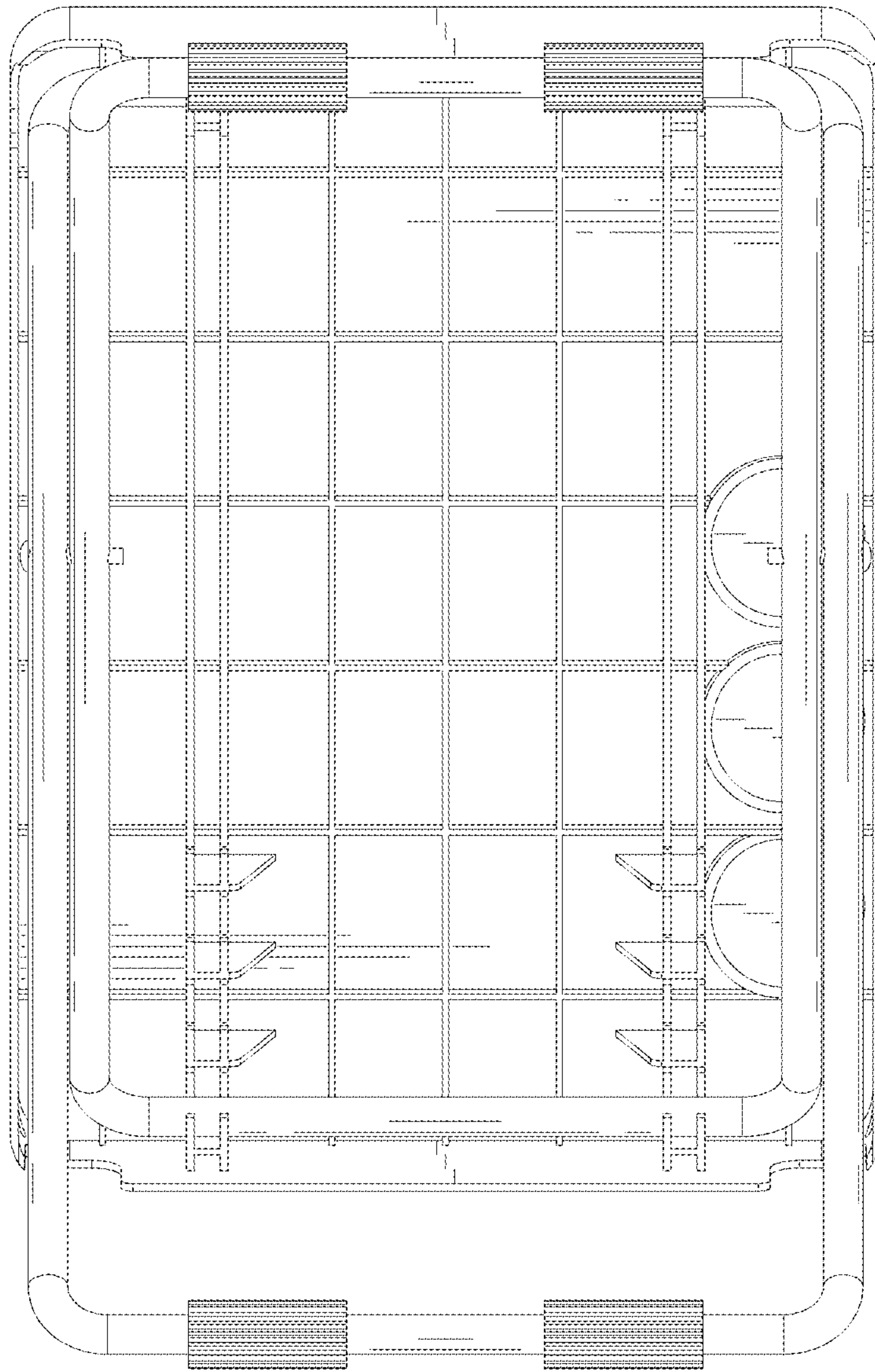


FIG.8