



US00D959860S

(12) **United States Design Patent**
Jaroslawitz

(10) **Patent No.:** **US D959,860 S**

(45) **Date of Patent:** **** Aug. 9, 2022**

(54) **ROOM DIVIDER**

(71) Applicant: **Mendel Jaroslawitz**, Brooklyn, NY
(US)

(72) Inventor: **Mendel Jaroslawitz**, Brooklyn, NY
(US)

(**) Term: **15 Years**

(21) Appl. No.: **29/734,003**

(22) Filed: **May 8, 2020**

(51) **LOC (13) Cl.** **06-06**

(52) **U.S. Cl.**
USPC **D6/332**

(58) **Field of Classification Search**
USPC D6/643, 714, 332
CPC E04B 2002/7483; E04B 2002/7498; E04B
2/76; E04B 2/7401; A47B 2200/12; A47B
17/00; E04C 2/54
See application file for complete search history.

(56) **References Cited**

U.S. PATENT DOCUMENTS

- 5,024,030 A * 6/1991 Morrison E04B 2/7425
52/36.1
- D415,901 S * 11/1999 Arko D6/332
- D450,465 S * 11/2001 Overthun D6/332
- D661,112 S * 6/2012 Grandin D6/332
- 9,328,504 B2 * 5/2016 Gosling E04C 2/3405

- D859,013 S * 9/2019 Yamamoto D6/332
- 10,508,452 B2 * 12/2019 Hooper E04F 10/04
- 10,689,844 B2 * 6/2020 Patton E04B 2/7435
- 2005/0000168 A1 * 1/2005 Wright E04B 2/7845
52/27
- 2014/0115985 A1 * 5/2014 Hayashi E04B 2/7429
52/234

* cited by examiner

Primary Examiner — Doris Clark

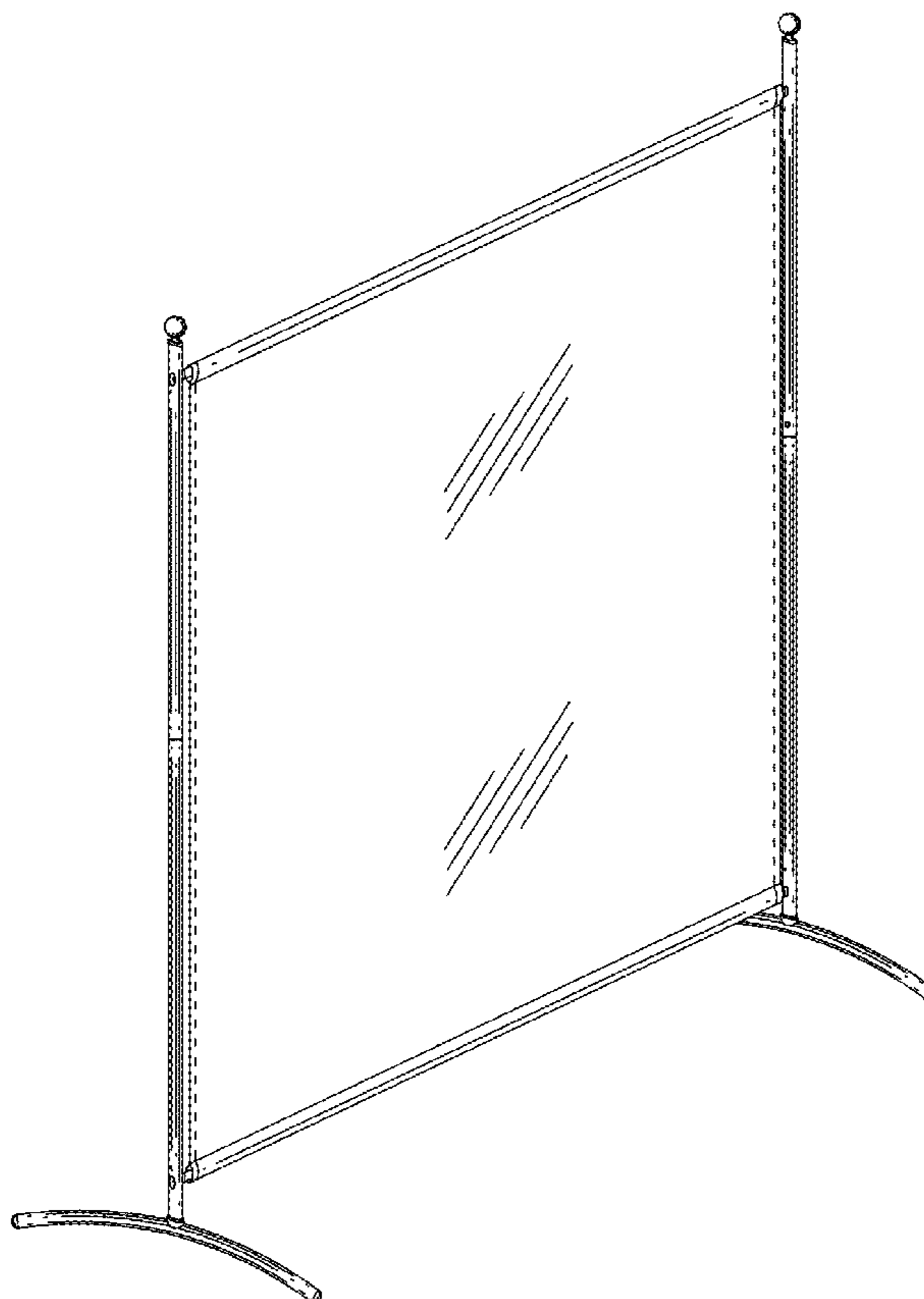
(57) **CLAIM**

The ornamental design for room divider, as shown and described.

DESCRIPTION

FIG. 1 is an isometric view of room divider showing my new design;
 FIG. 2 is a front elevational view thereof;
 FIG. 3 is a rear elevational view thereof;
 FIG. 4 is a top plan view thereof;
 FIG. 5 is a bottom plan view thereof;
 FIG. 6 is a left side elevational view thereof; and,
 FIG. 7 is a right elevational view there of showing my design.
 The broken lines are for illustrative purposes only and form no part of the claimed design.

1 Claim, 7 Drawing Sheets



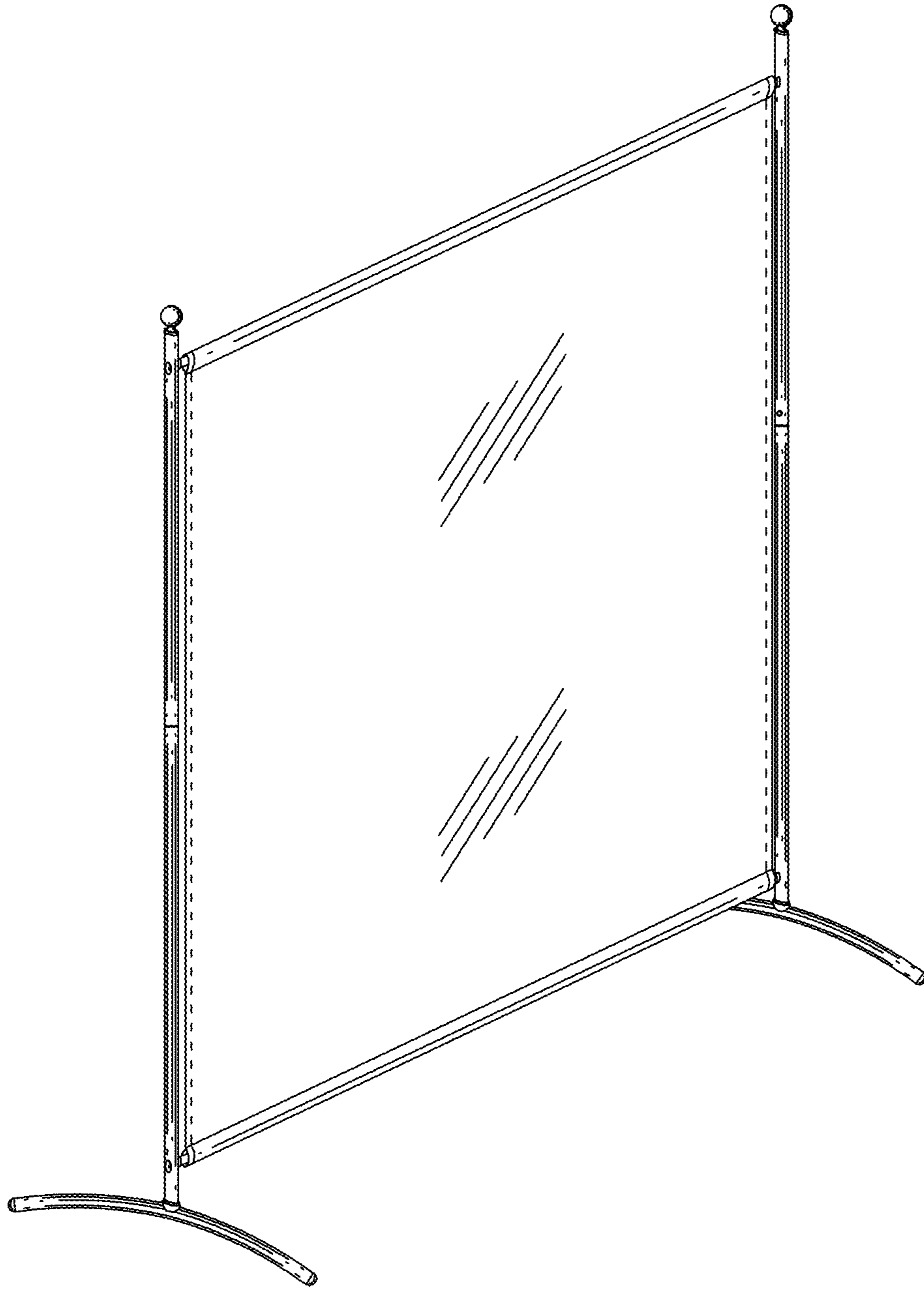


FIG. 1

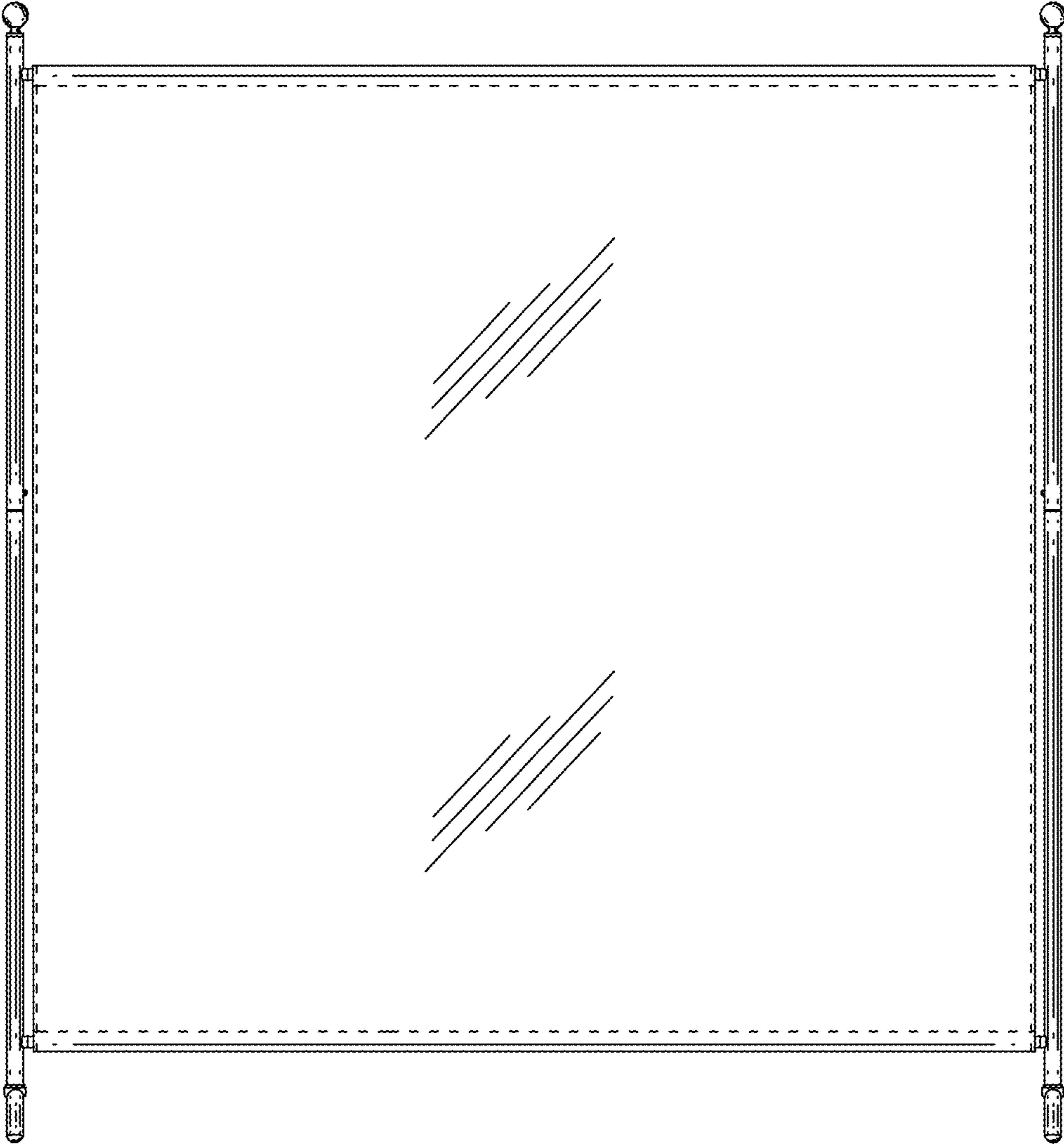


FIG. 2

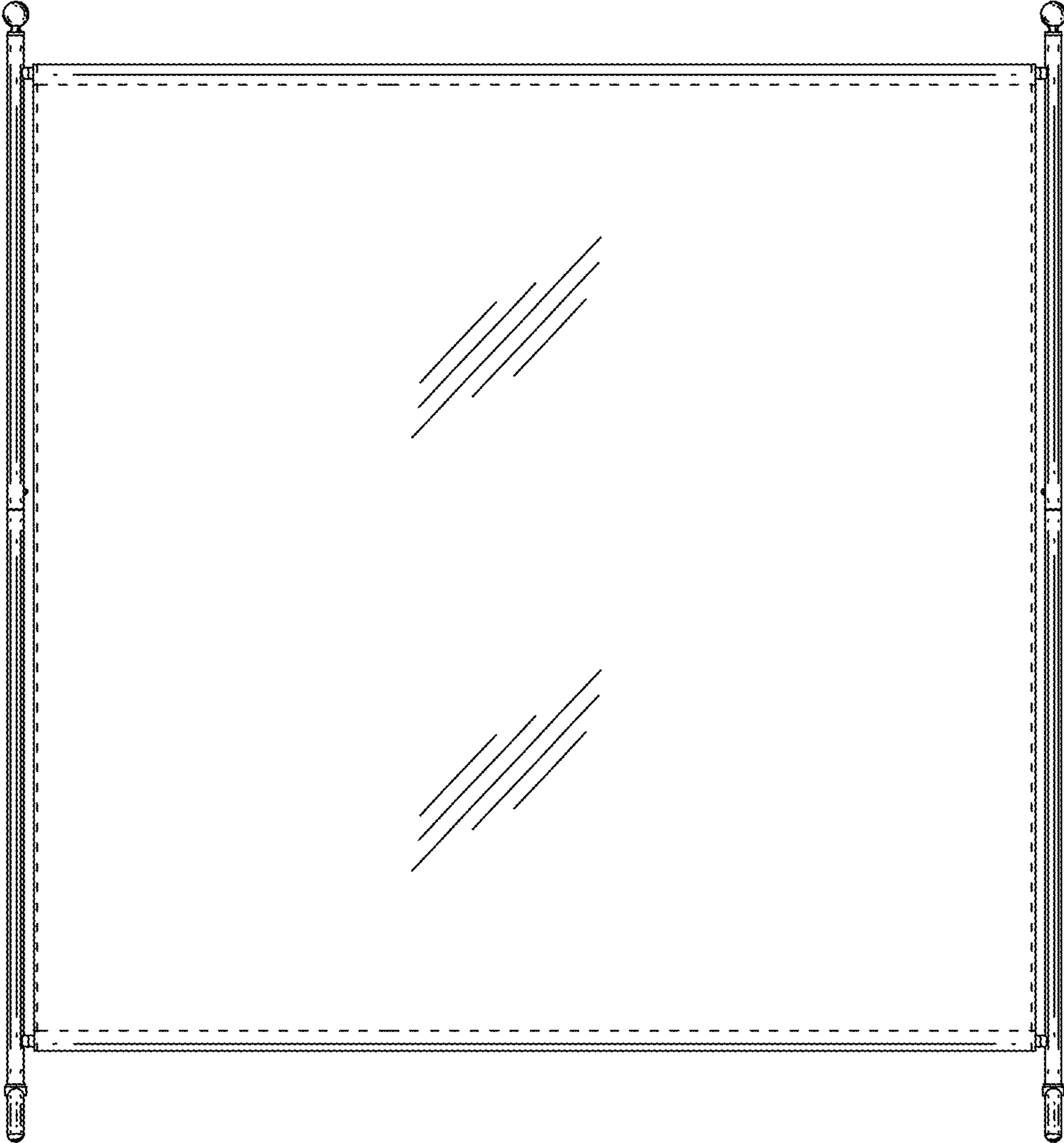


FIG. 3

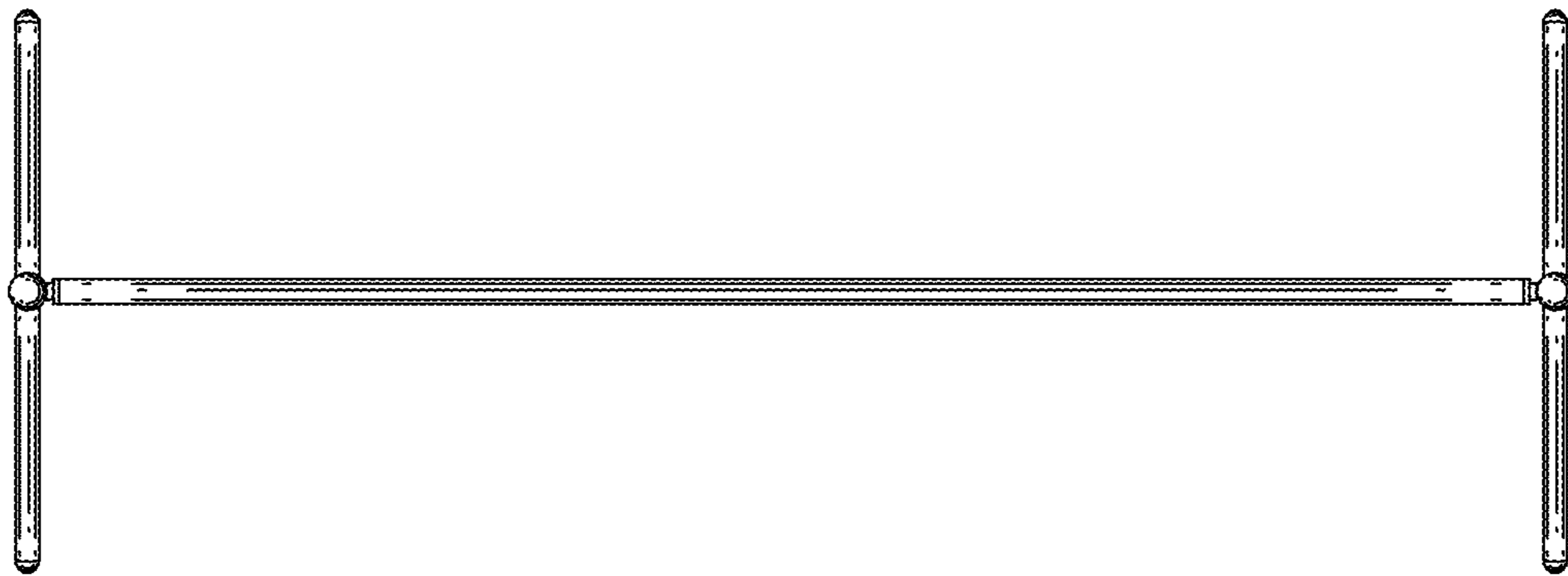


FIG. 4

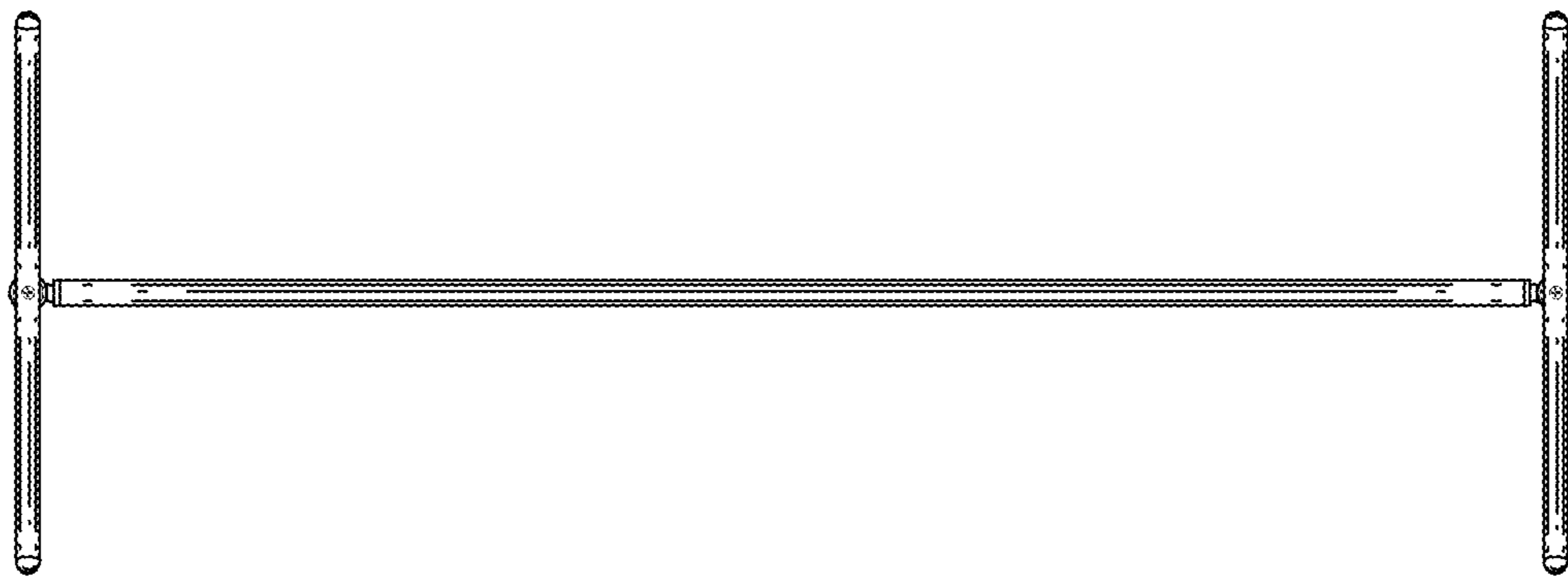


FIG. 5

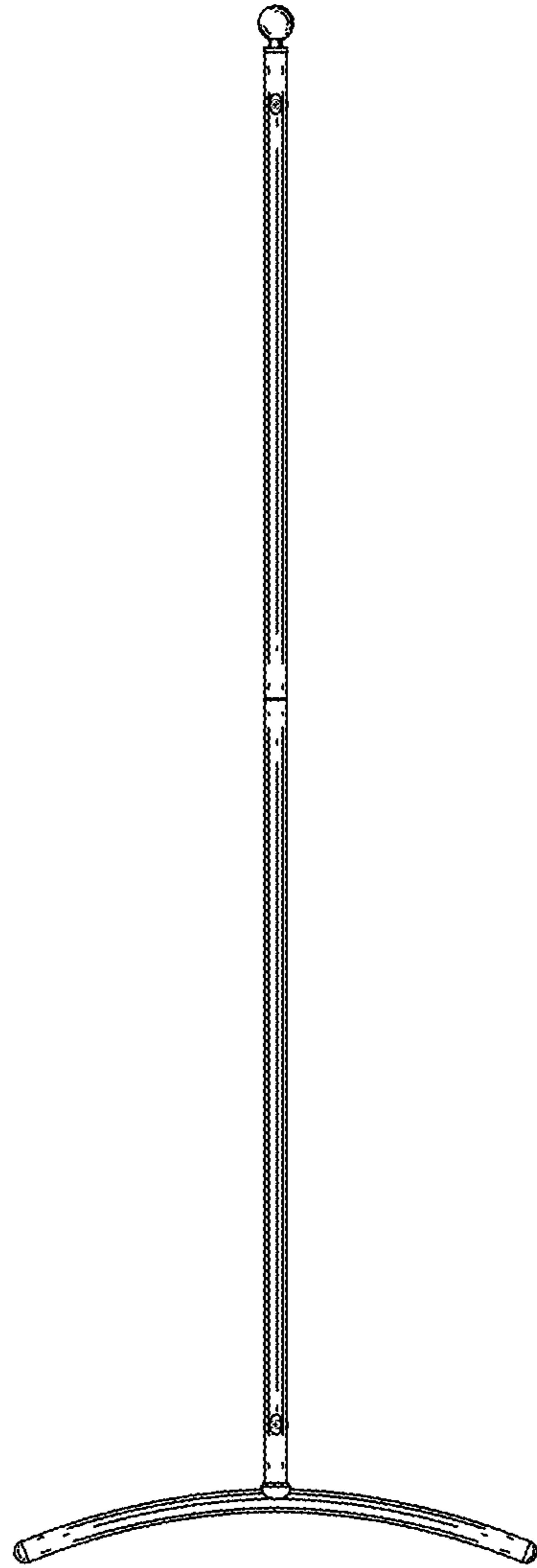


FIG. 6

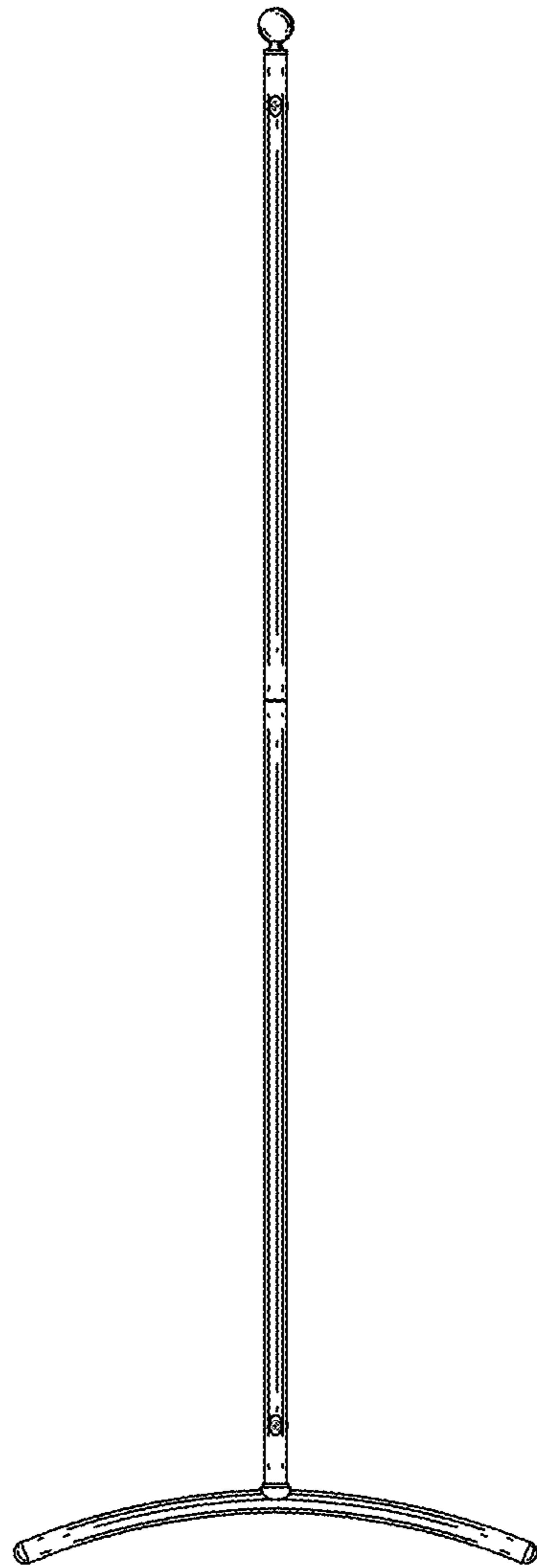


FIG. 7