

US00D959859S

(12) **United States Design Patent** (10) **Patent No.:** **US D959,859 S**
Zhao (45) **Date of Patent:** **** Aug. 9, 2022**

(54) **PLAYPEN**

OTHER PUBLICATIONS

(71) Applicant: **Yun Zhao**, Shanghai (CN)

Design No. 008359749-0001, Dec. 22, 2020—European Union Intellectual Property Office (EUIPO) Publication Date—Dec. 23, 2020 Owner—Shenzhen Xinming Technology Co., Ltd., Designer—Li ping Zhang.*

(72) Inventor: **Yun Zhao**, Shanghai (CN)

Design No. 008057079-0001, Jul. 30, 2020—European Union Intellectual Property Office (EUIPO) Publication Date—Aug. 3, 2020 Owner—Xiang Deng.*

(**) Term: **15 Years**

Design No. 008803712-0001, Dec. 21, 2021—European Union Intellectual Property Office (EUIPO) Publication Date—Jan. 12, 2022 Owner—LZQ Trading GmbH.*

(21) Appl. No.: **29/783,137**

(22) Filed: **May 11, 2021**

(30) **Foreign Application Priority Data**

* cited by examiner

Apr. 29, 2021 (EM) 008522684

Primary Examiner — Mary Ann Calabrese

(51) **LOC (13) Cl.** **06-06**

(74) *Attorney, Agent, or Firm* — ScienBiziP, P.C.

(52) **U.S. Cl.**

USPC **D6/331**

(58) **Field of Classification Search**

(57) **CLAIM**

USPC D6/331, 390–392

The ornamental design for a playpen, as shown and described.

CPC A47D 7/00; A47D 13/00; A47D 13/006;

A47D 13/0061; A47D 13/0063; A47D

13/0065; A47D 13/0066; A47D 13/0068

See application file for complete search history.

DESCRIPTION

(56) **References Cited**

FIG. 1 is a front, left, and top perspective view of a playpen, showing my design.

FIG. 2 is a front elevation view thereof.

FIG. 3 is a rear elevation view thereof.

FIG. 4 is a left side elevation view thereof.

FIG. 5 is a right side elevation view thereof.

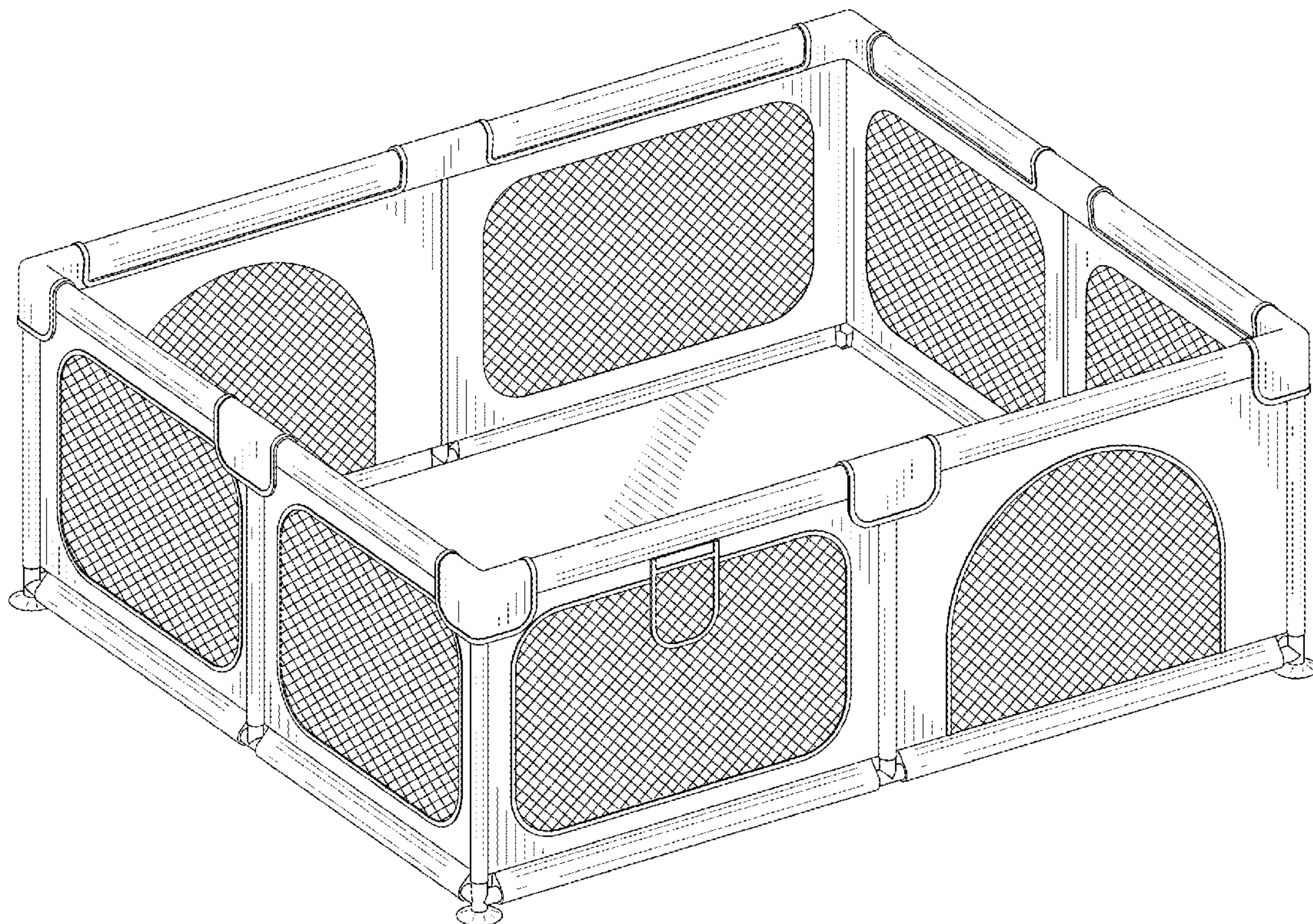
FIG. 6 is a top plan view thereof; and,

FIG. 7 is a bottom plan view thereof.

U.S. PATENT DOCUMENTS

D244,890 S 7/1977 Adams
D281,745 S * 12/1985 Pandorf D6/390
D323,589 S 2/1992 Mariol
D554,871 S * 11/2007 Volk D6/331
D909,772 S * 2/2021 Lu D6/331
D946,912 S * 3/2022 Wu D6/331

1 Claim, 7 Drawing Sheets



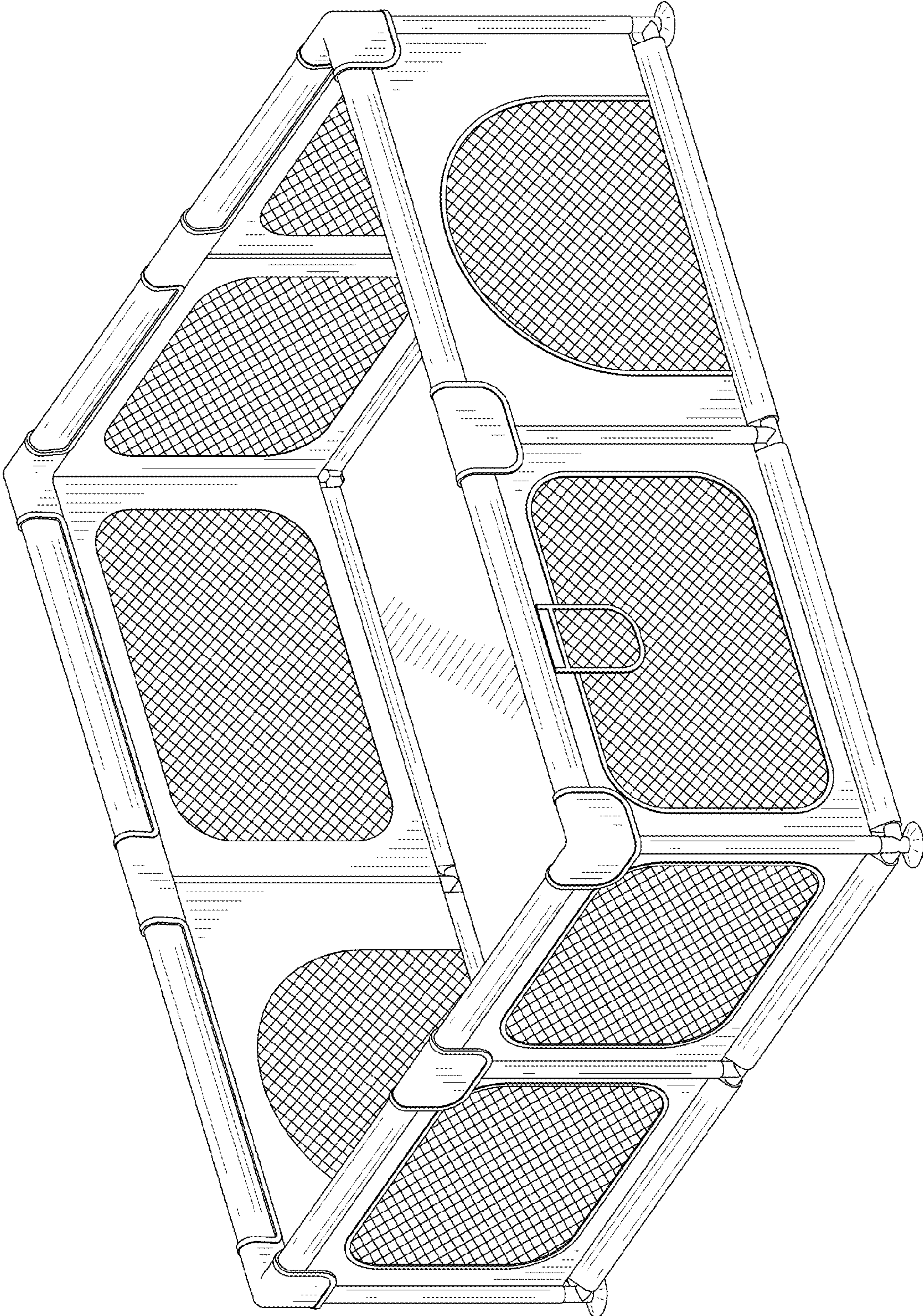


FIG. 1

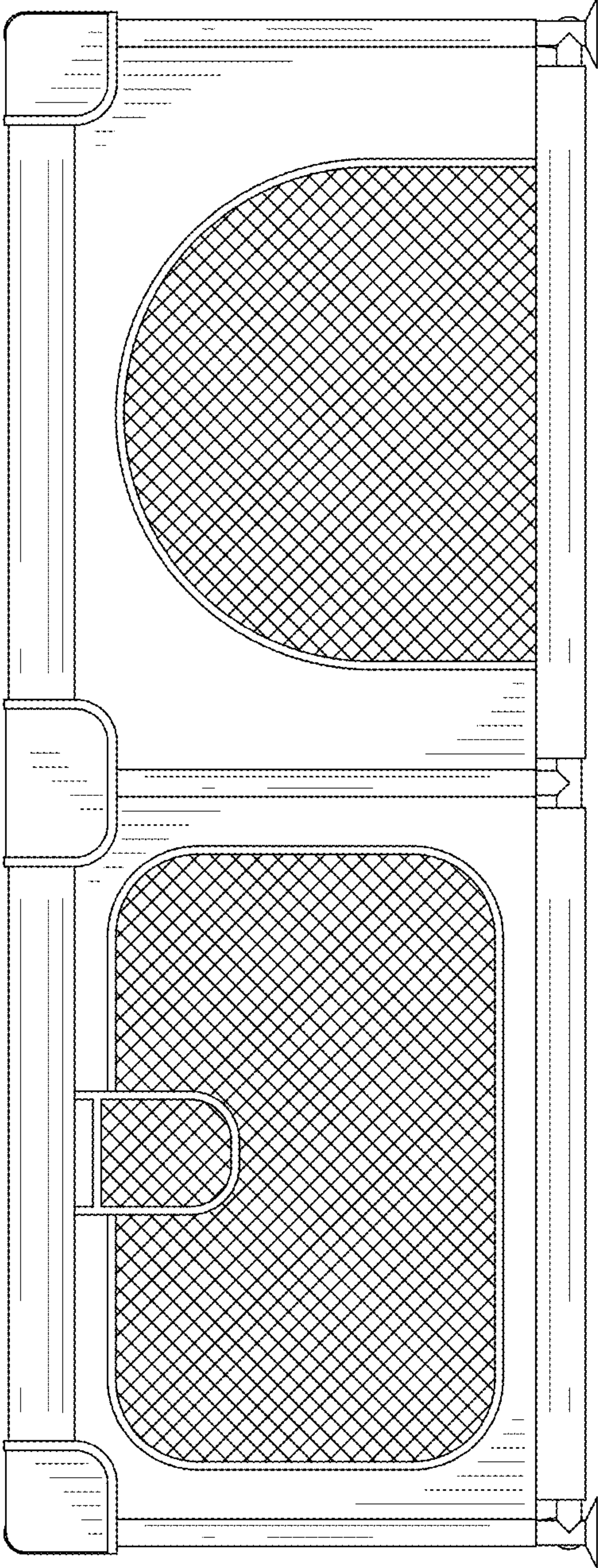


FIG. 2

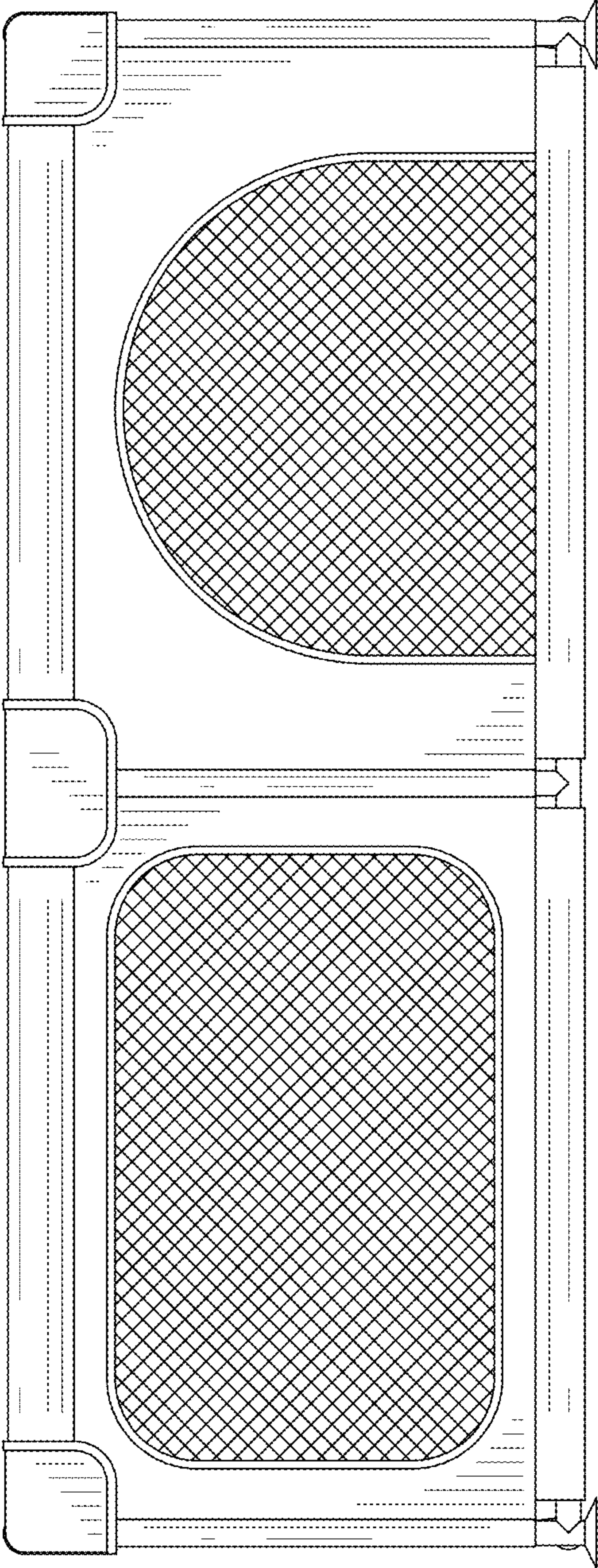


FIG. 3

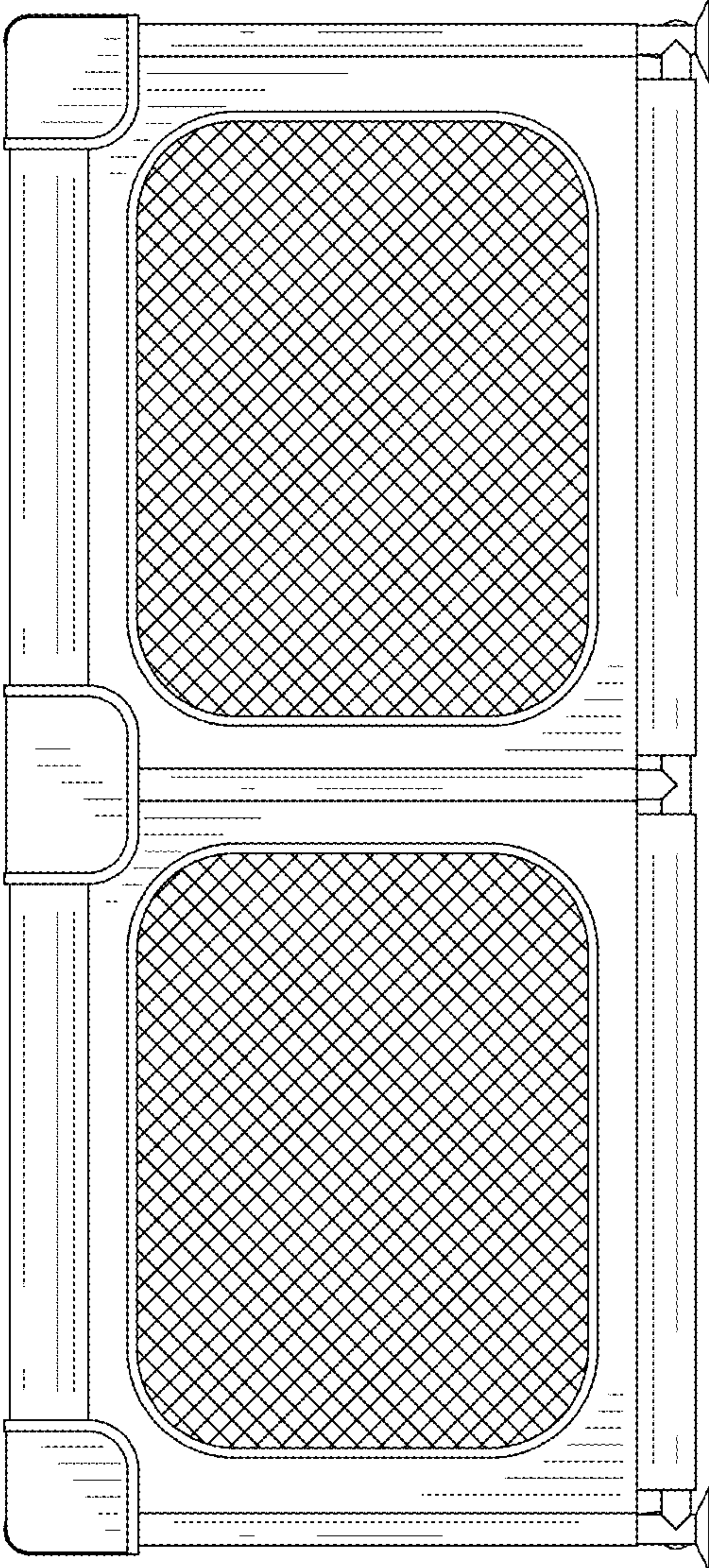


FIG. 4

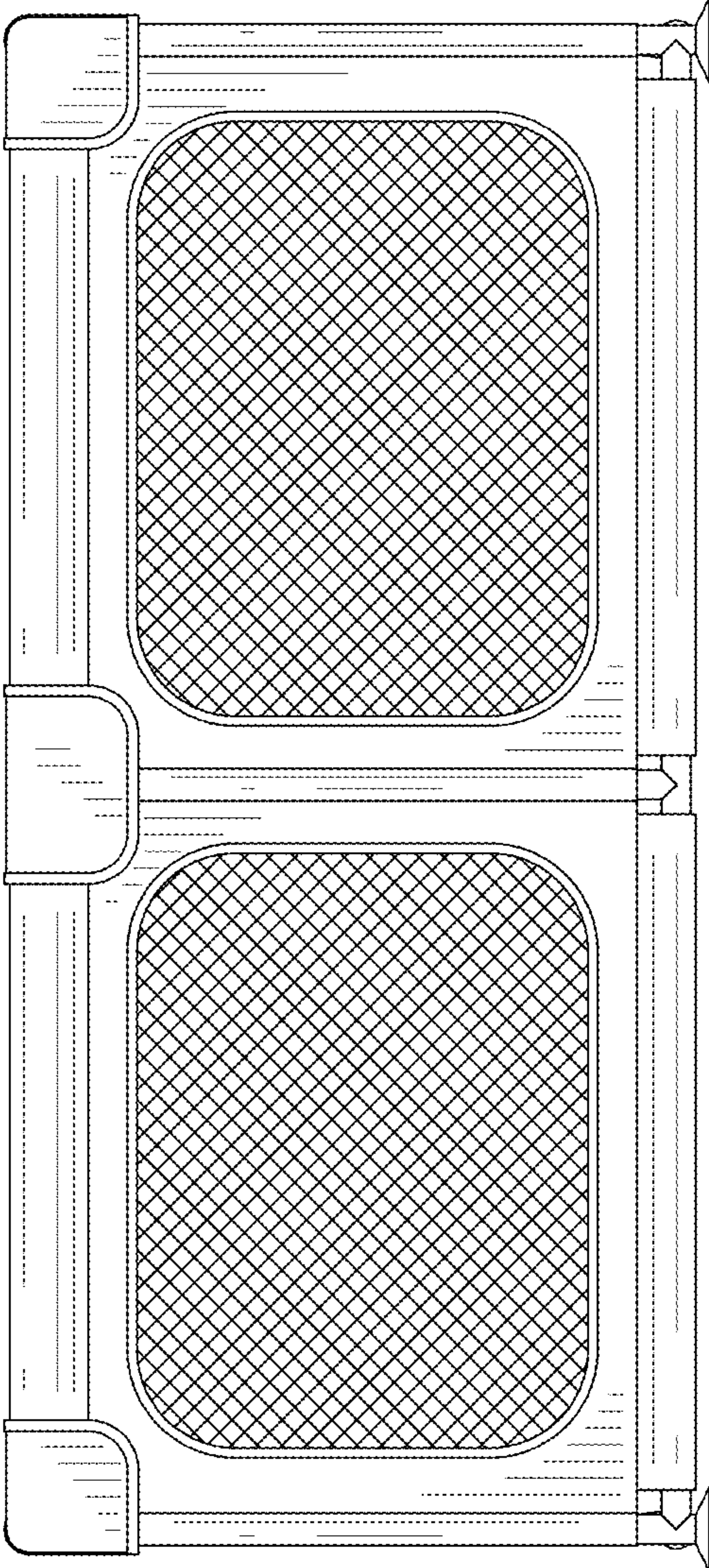


FIG. 5

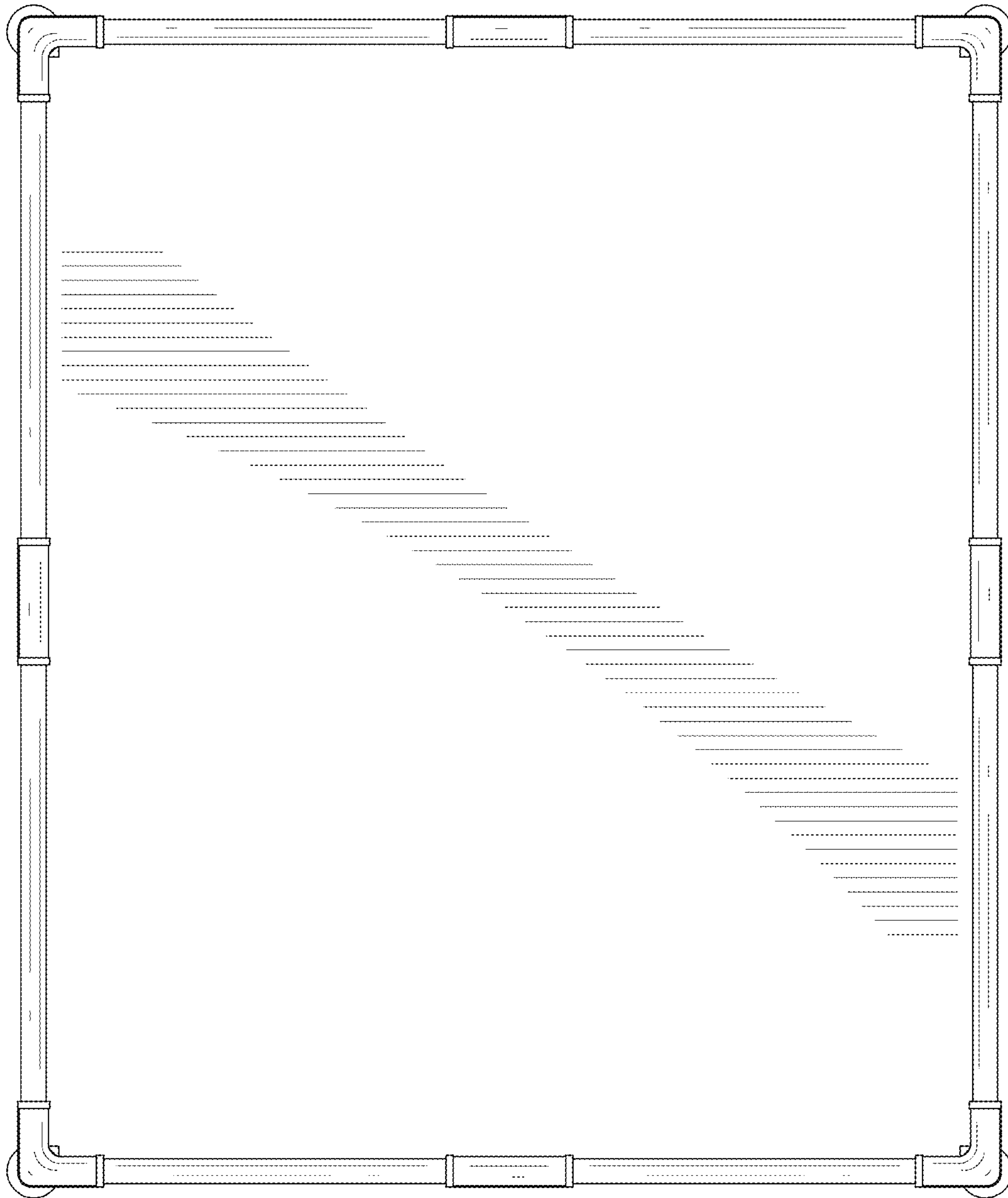


FIG. 6

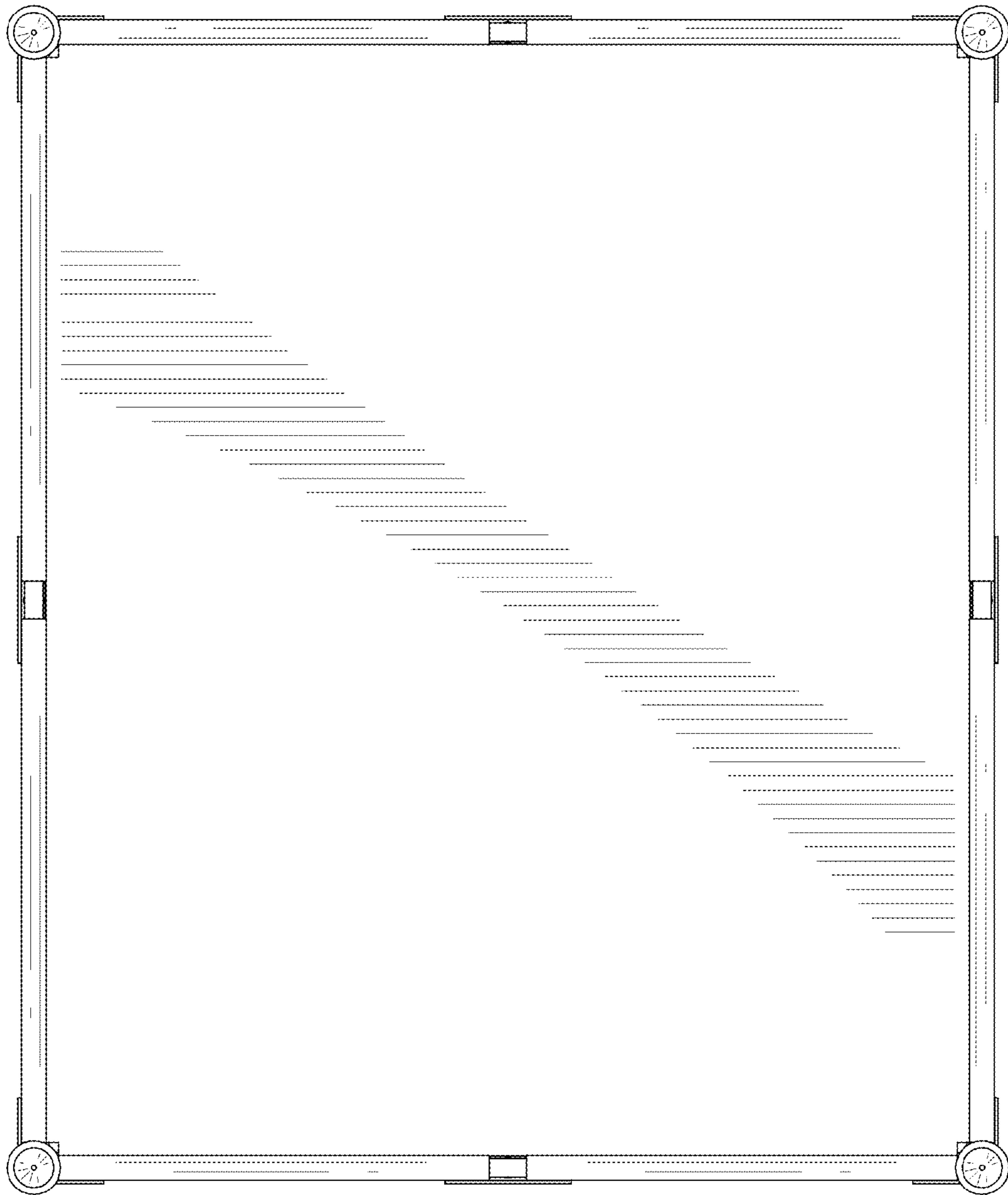


FIG. 7



US00D959859C1

(12) **EX PARTE REEXAMINATION CERTIFICATE** (12252nd)
United States Patent
Zhao

(10) **Number:** **US D959,859 C1**
(45) **Certificate Issued:** **Mar. 24, 2023**

(54) **PLAYPEN**

(71) Applicant: **Yun Zhao**, Shanghai (CN)

(72) Inventor: **Yun Zhao**, Shanghai (CN)

Reexamination Request:

No. 90/015,111, Sep. 23, 2022

Reexamination Certificate for:

Patent No.: **Des. 959,859**

Issued: **Aug. 9, 2022**

Appl. No.: **29/783,137**

Filed: **May 11, 2021**

(30) **Foreign Application Priority Data**

Apr. 29, 2021 (EM) 008522684

(51) **LOC (14) Cl.** **06-06**

(52) **U.S. Cl.**

USPC **D6/331**

(58) **Field of Classification Search**

USPC D6/331, 390–392

CPC A47D 13/065; A47D 13/066

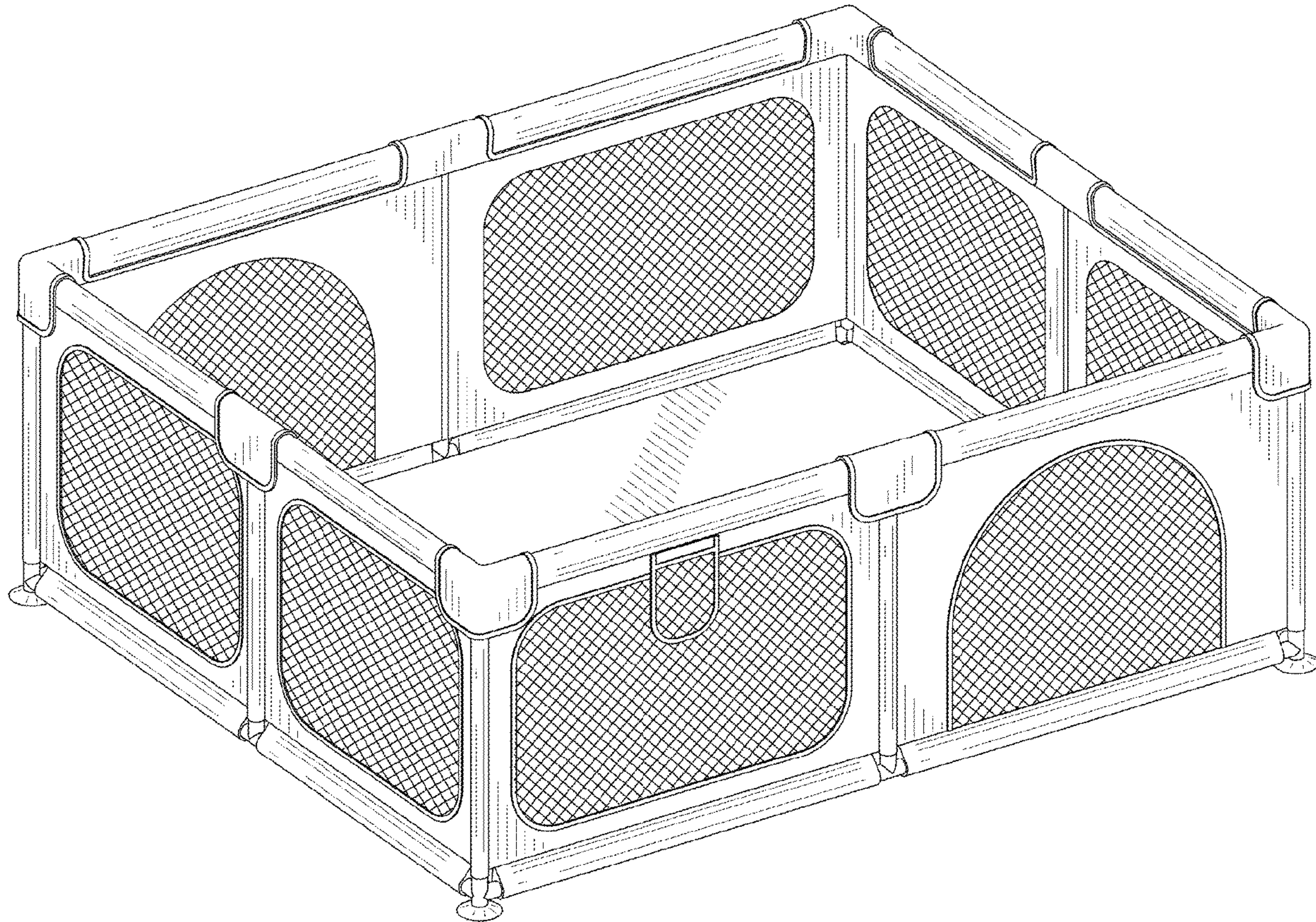
See application file for complete search history.

(56)

References Cited

To view the complete listing of prior art documents cited during the proceeding for Reexamination Control Number 90/015,111, please refer to the USPTO's Patent Electronic System.

Primary Examiner — Darlington Ly



1
EX PARTE
REEXAMINATION CERTIFICATE

NO AMENDMENTS HAVE BEEN MADE TO 5
THE PATENT

AS A RESULT OF REEXAMINATION, IT HAS BEEN
DETERMINED THAT:

The patentability of claim 1 is confirmed. 10

* * * * *