



US00D959857S

(12) **United States Design Patent**
Meng

(10) **Patent No.:** **US D959,857 S**

(45) **Date of Patent:** **** Aug. 9, 2022**

(54) **MIRROR**

FOREIGN PATENT DOCUMENTS

(71) Applicant: **Yuli Meng**, Jixi (CN)

CN 306807371 * 9/2021

(72) Inventor: **Yuli Meng**, Jixi (CN)

OTHER PUBLICATIONS

(**) Term: **15 Years**

Wobsion Compact Mirror, announced 2020 [online], [site visited Mar. 8, 2022]. Available from internet, URL: <https://www.amazon.ca/wobsion-Compact-Magnifying-Handheld-Magnetic/dp/B08B1PZCV5/?th=1> (Year: 2020).*

(21) Appl. No.: **29/786,390**

(22) Filed: **May 31, 2021**

* cited by examiner

(51) **LOC (13) Cl.** **06-07**

(52) **U.S. Cl.**
USPC **D6/312**

Primary Examiner — Cynthia Ramirez
Assistant Examiner — Xavier Marti-Santos

(58) **Field of Classification Search**

USPC D6/300, 301, 302, 303, 304, 307, 308,
D6/309, 310, 311, 312, 313, 314;
D16/135; D28/64.1–64.7
CPC A45D 42/00; A45D 42/10; A45D 42/16;
A45D 42/20; A45D 42/24; A47G 1/00;
A47G 1/02; A47G 1/04; A47G 1/0622;
B60J 3/0282

(57) **CLAIM**

The ornamental design for a mirror, as shown and described.

See application file for complete search history.

DESCRIPTION

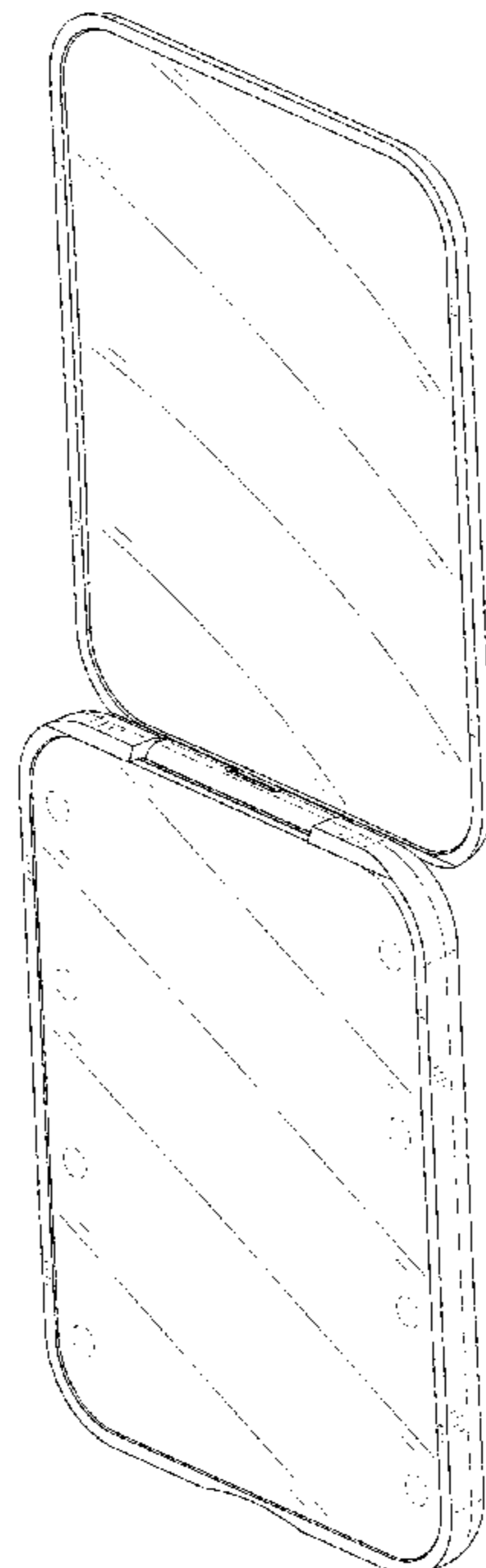
FIG. 1 is a perspective view of a mirror showing my new design;
FIG. 2 is another perspective view thereof;
FIG. 3 is a front elevational view thereof;
FIG. 4 is a rear elevational view thereof;
FIG. 5 is a left side elevational view thereof;
FIG. 6 is a right side elevational view thereof;
FIG. 7 is a top plan view thereof;
FIG. 8 is a bottom plan view thereof; and,
FIG. 9 is a perspective view of the mirror where the mirror is in an alternate position.
The broken lines in the drawings depict portions of the mirror that form no part of the claimed design.

(56) **References Cited**

U.S. PATENT DOCUMENTS

D260,305 S *	8/1981	MacGregor	D28/83
D483,575 S *	12/2003	Chan	D6/310
D506,319 S *	6/2005	Chan	D6/310
D605,414 S *	12/2009	Chan	D6/312
D807,649 S	1/2018	Zadro		
D809,322 S *	2/2018	Choi	D6/664.1
D829,007 S *	9/2018	Choi	D6/310
D866,988 S *	11/2019	Shaffer	D6/300
D880,171 S	4/2020	Yang		
D891,790 S *	8/2020	Liu	D6/312
D934,576 S *	11/2021	Liu	D6/300
2019/0374007 A1 *	12/2019	Kaiser	A45D 42/10

1 Claim, 9 Drawing Sheets



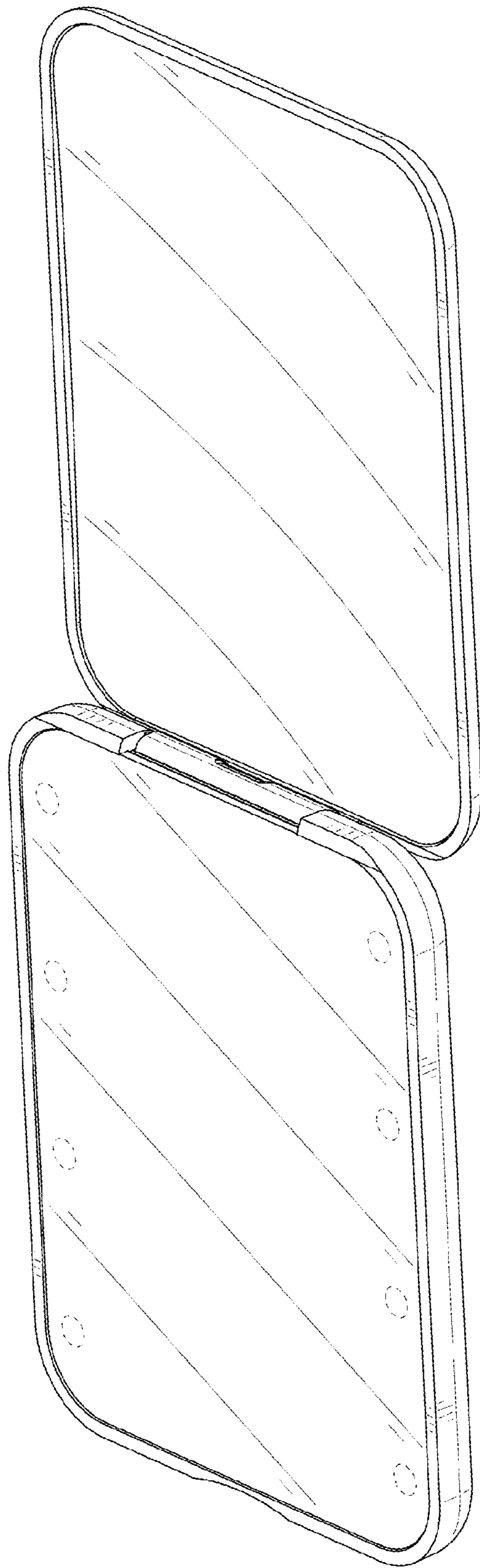


FIG. 1

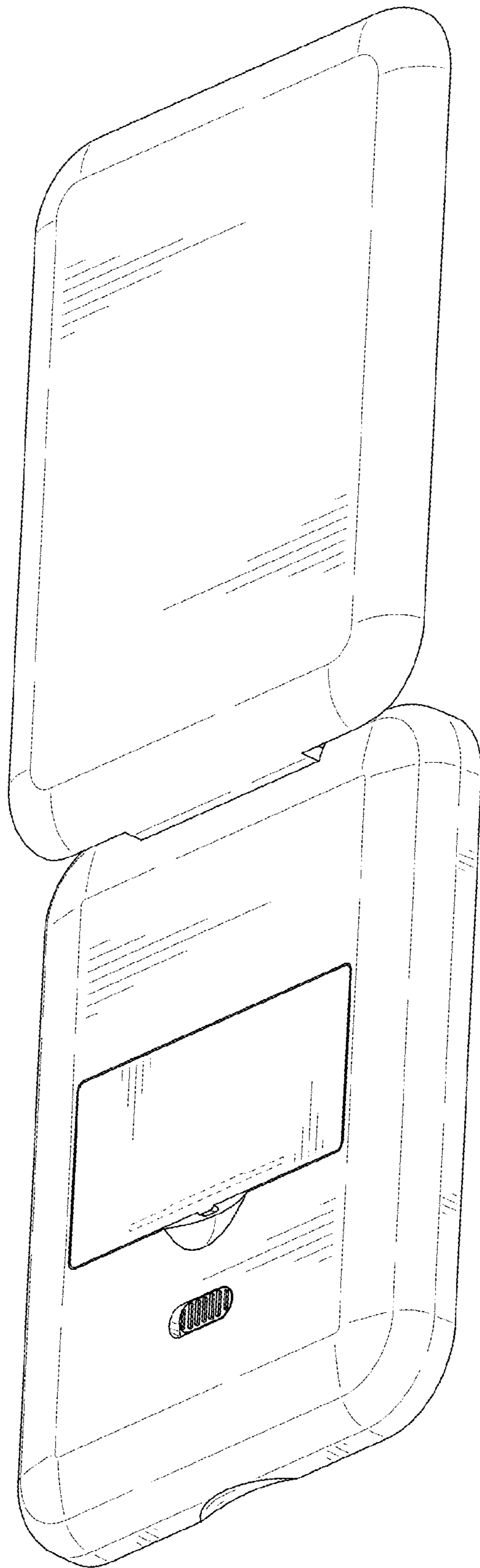


FIG. 2

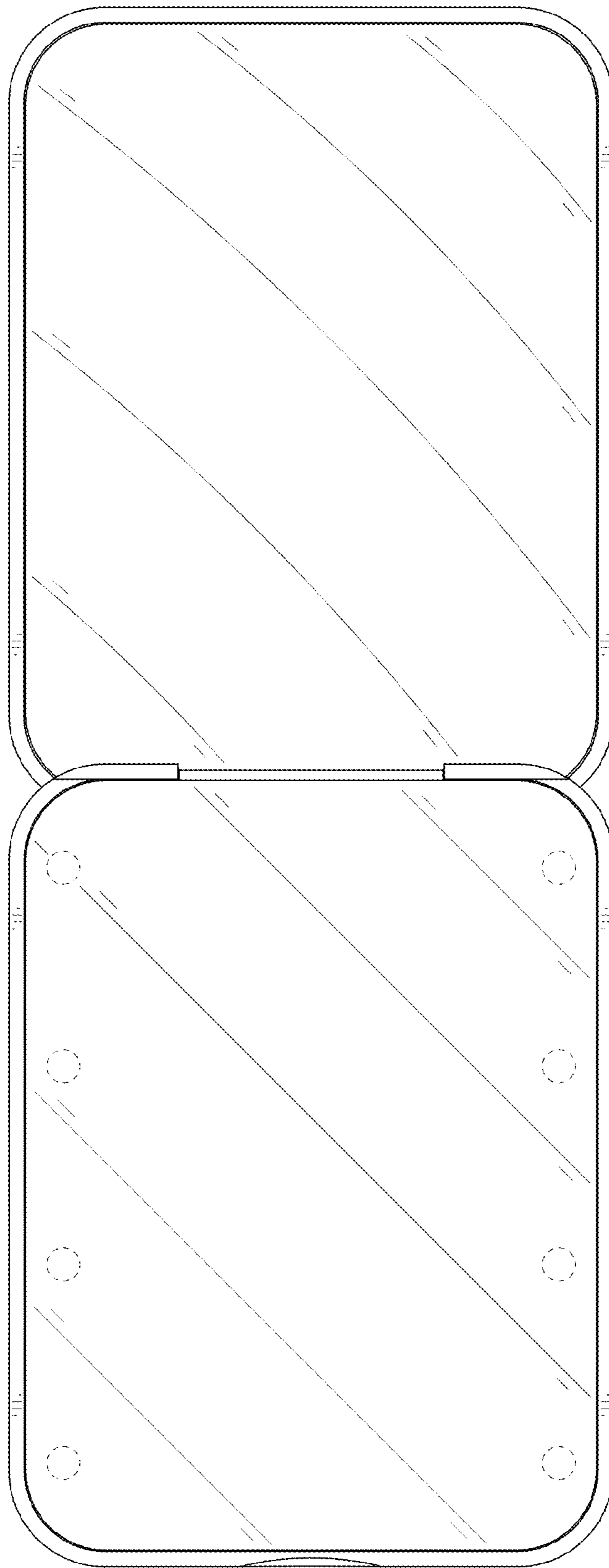


FIG. 3

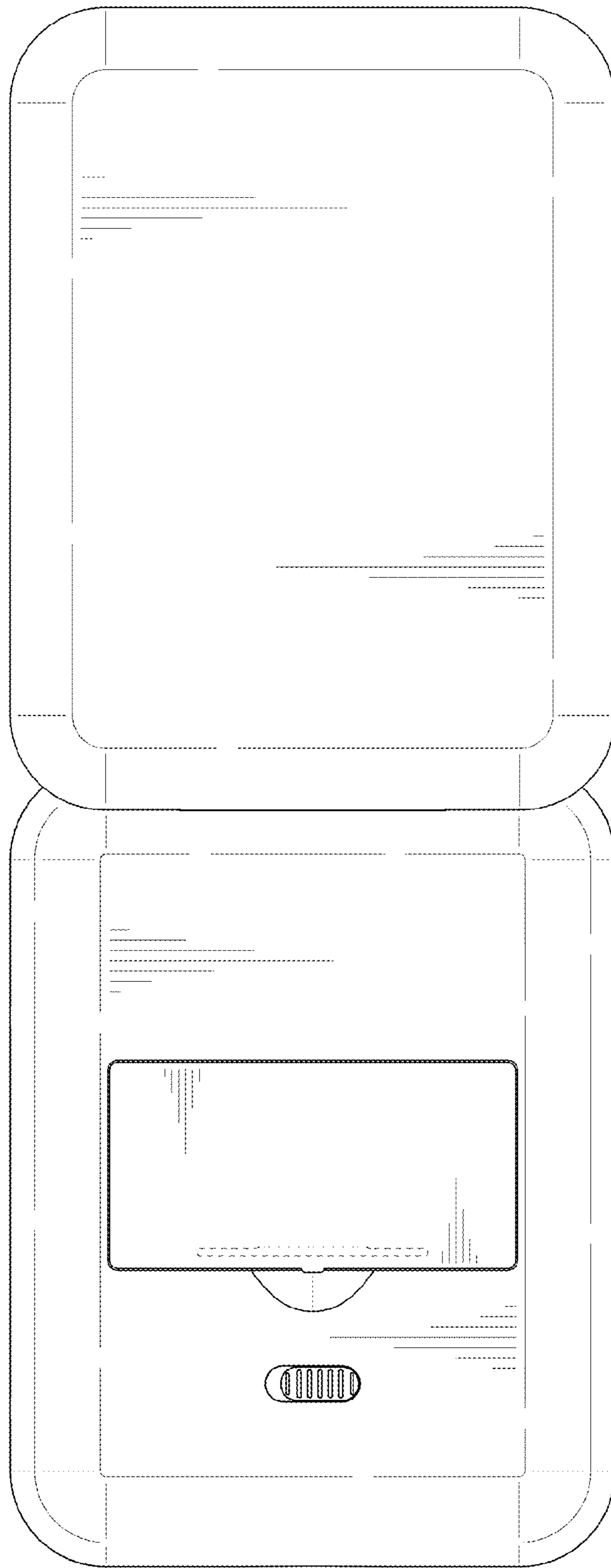


FIG. 4

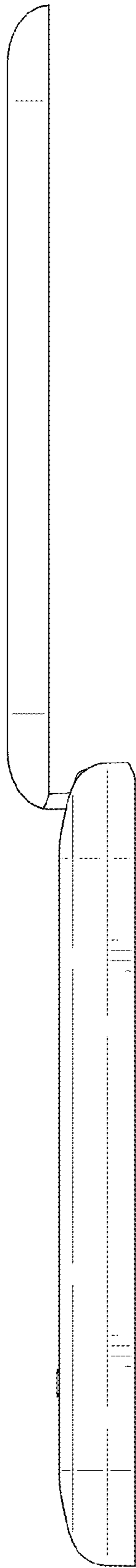


FIG. 5

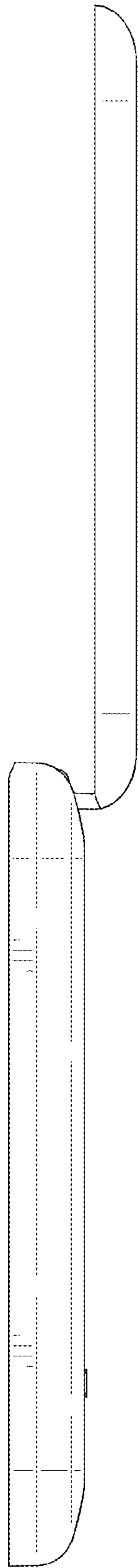


FIG. 6

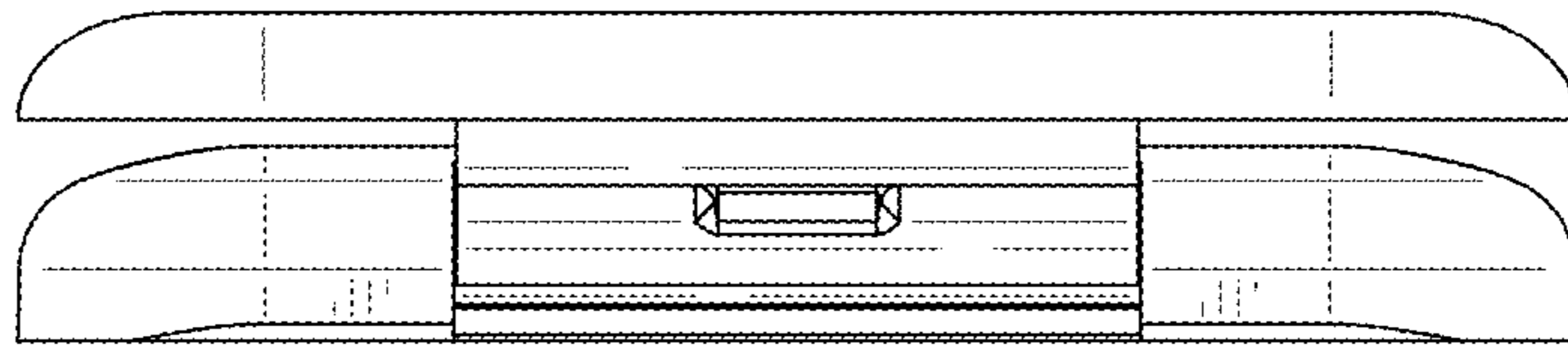


FIG. 7

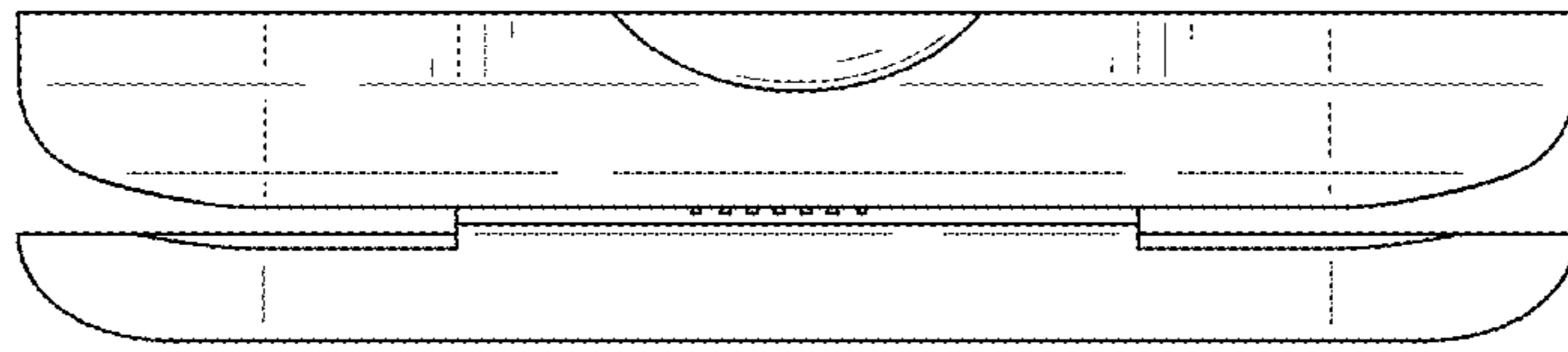


FIG. 8

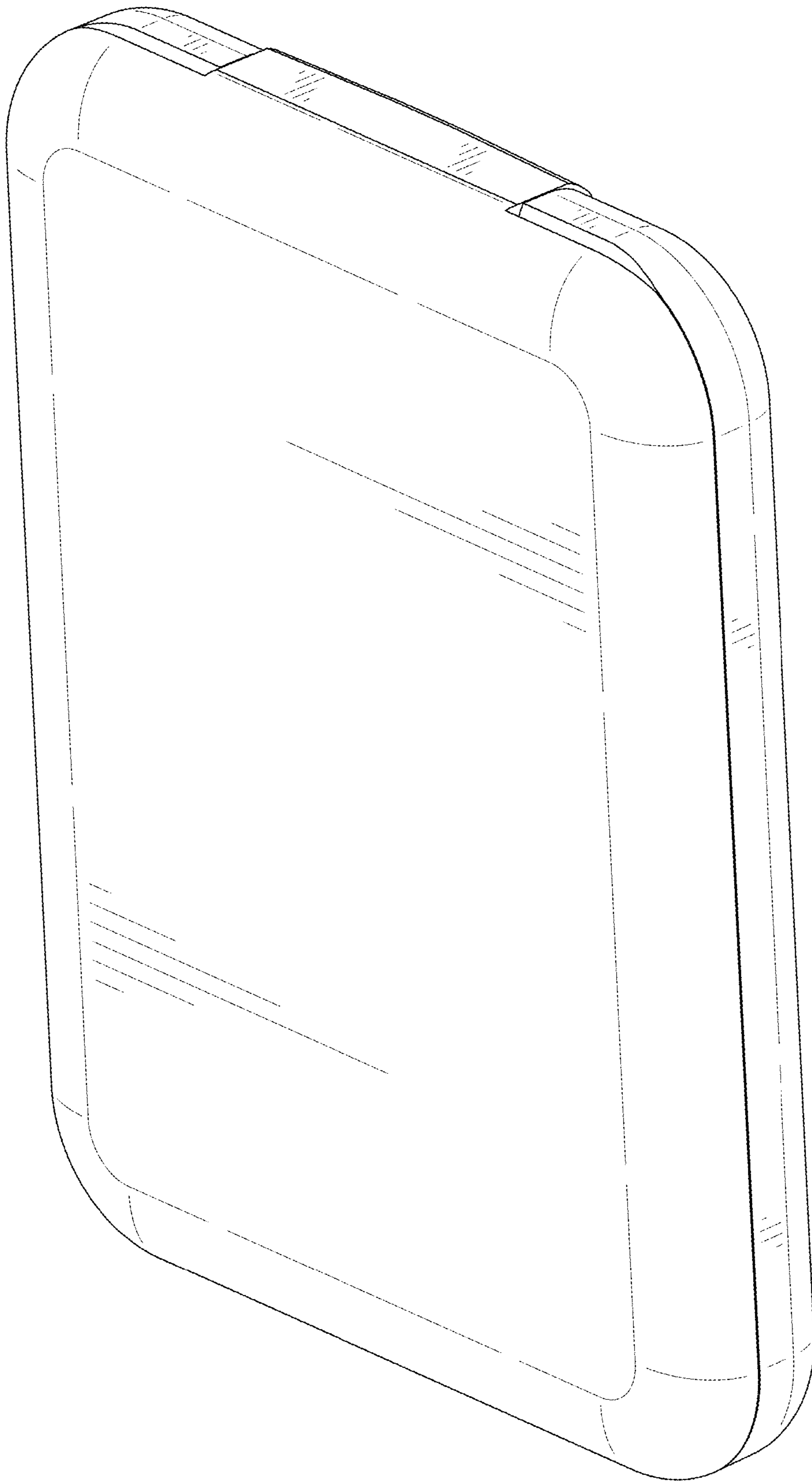


FIG. 9