



US00D959856S

(12) **United States Design Patent**
Meng

(10) **Patent No.:** **US D959,856 S**

(45) **Date of Patent:** **** Aug. 9, 2022**

(54) **MIRROR**

DESCRIPTION

(71) Applicant: **Yuli Meng**, Jixi (CN)

(72) Inventor: **Yuli Meng**, Jixi (CN)

(**) Term: **15 Years**

(21) Appl. No.: **29/786,388**

(22) Filed: **May 31, 2021**

(51) **LOC (13) Cl.** **06-07**

(52) **U.S. Cl.**
USPC **D6/311; D6/309**

(58) **Field of Classification Search**
USPC D6/300, 301, 302, 303, 304, 307, 308,
D6/309, 310, 311, 312, 313, 314;
D16/135; D28/64.1-64.7

(Continued)

(56) **References Cited**

U.S. PATENT DOCUMENTS

3,268,715 A * 8/1966 Rothman F21V 33/00
362/232
3,476,927 A * 11/1969 Rothman F21V 33/00
362/140

(Continued)

FOREIGN PATENT DOCUMENTS

CN 306889038 * 10/2021

OTHER PUBLICATIONS

Round Vanity Mirror [online], [site visited 02/00/2022]. Available from internet, URL: <<https://www.amazon.com/Vanity-Mirror-Makeup-Lighted-100-240V/dp/B07W3NB7XT/>> (Year: 2019).*

Primary Examiner — Cynthia Ramirez
Assistant Examiner — Xavier Marti-Santos

(57) **CLAIM**

The ornamental design for a mirror, as shown and described.

FIG. 1 is a perspective view of a first embodiment of a mirror showing my new design;
FIG. 2 is another perspective view thereof;
FIG. 3 is a front elevational view thereof;
FIG. 4 is a rear elevational view thereof;
FIG. 5 is a left side elevational view thereof;
FIG. 6 is a right side elevational view thereof;
FIG. 7 is a top plan view thereof;
FIG. 8 is a bottom plan view thereof;
FIG. 9 is a perspective view of the mirror where the mirror is in an alternate position;
FIG. 10 is a perspective view of a second embodiment of the mirror showing my new design;
FIG. 11 is another perspective view thereof;
FIG. 12 is a front elevational view thereof;
FIG. 13 is a rear elevational view thereof;
FIG. 14 is a left side elevational view thereof;
FIG. 15 is a right side elevational view thereof;
FIG. 16 is a top plan view thereof;
FIG. 17 is a bottom plan view thereof;
FIG. 18 is a perspective view of the mirror where the mirror is in an alternate position;
FIG. 19 is a perspective view of a third embodiment of the mirror showing my new design;
FIG. 20 is another perspective view thereof;
FIG. 21 is a front elevational view thereof;
FIG. 22 is a rear elevational view thereof;
FIG. 23 is a left side elevational view thereof;
FIG. 24 is a right side elevational view thereof;
FIG. 25 is a top plan view thereof;
FIG. 26 is a bottom plan view thereof;
FIG. 27 is a perspective view of the mirror where the mirror is in an alternate position;
FIG. 28 is a perspective view of a fourth embodiment of the mirror showing my new design;
FIG. 29 is another perspective view thereof;
FIG. 30 is a front elevational view thereof;
FIG. 31 is a rear elevational view thereof;
FIG. 32 is a left side elevational view thereof;
FIG. 33 is a right side elevational view thereof;
FIG. 34 is a top plan view thereof;
FIG. 35 is a bottom plan view thereof; and,

(Continued)

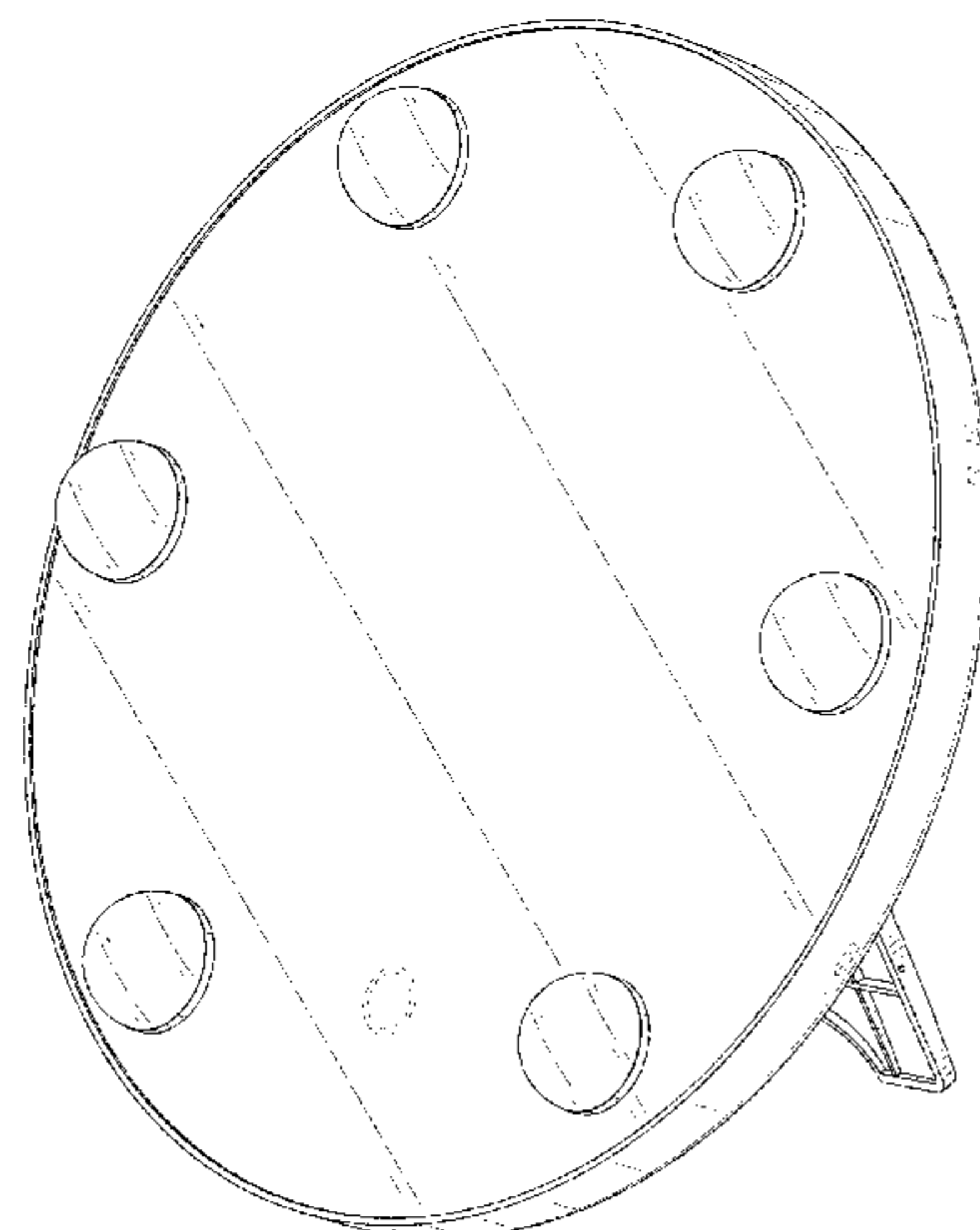


FIG. 36 is a perspective view of the mirror where the mirror is in an alternate position.

The broken lines in the drawings depict portions of the mirror that form no part of the claimed design.

1 Claim, 36 Drawing Sheets

(58) **Field of Classification Search**

CPC A45D 42/00; A45D 42/10; A45D 42/16;
A45D 42/20; A45D 42/24; A47G 1/00;
A47G 1/02; A47G 1/04; A47G 1/0622;
B60J 3/0282

See application file for complete search history.

(56) **References Cited**

U.S. PATENT DOCUMENTS

D267,218 S	*	12/1982	Thompson	D6/309
D807,649 S		1/2018	Zadro	
D880,171 S		4/2020	Yang	
D899,107 S	*	10/2020	Luo	D6/309
D919,981 S	*	5/2021	Li	D6/309
D932,198 S	*	10/2021	Sze	D6/309
D938,170 S	*	12/2021	Liu	D6/309
D953,755 S	*	6/2022	Meng	D6/309

* cited by examiner

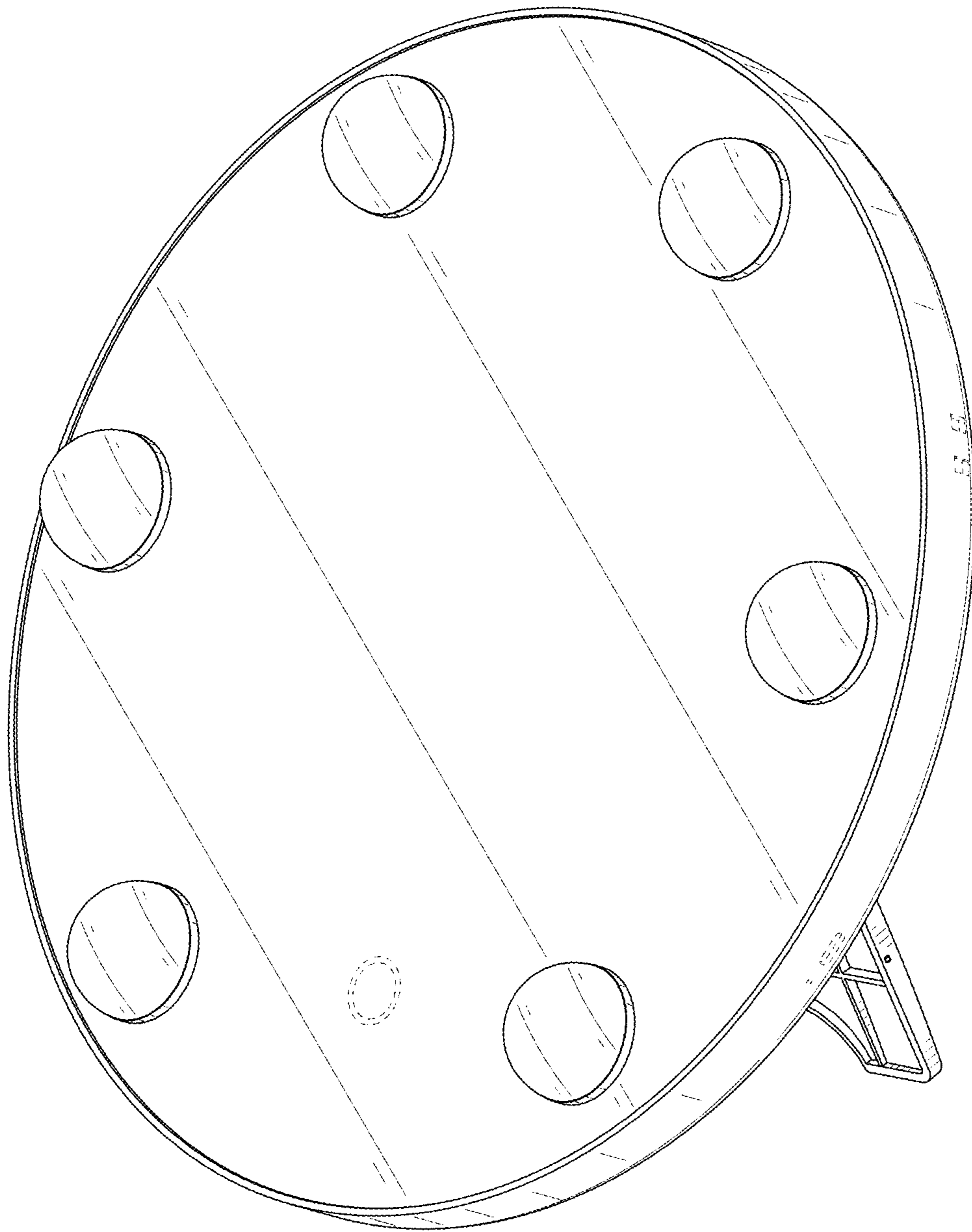


FIG. 1

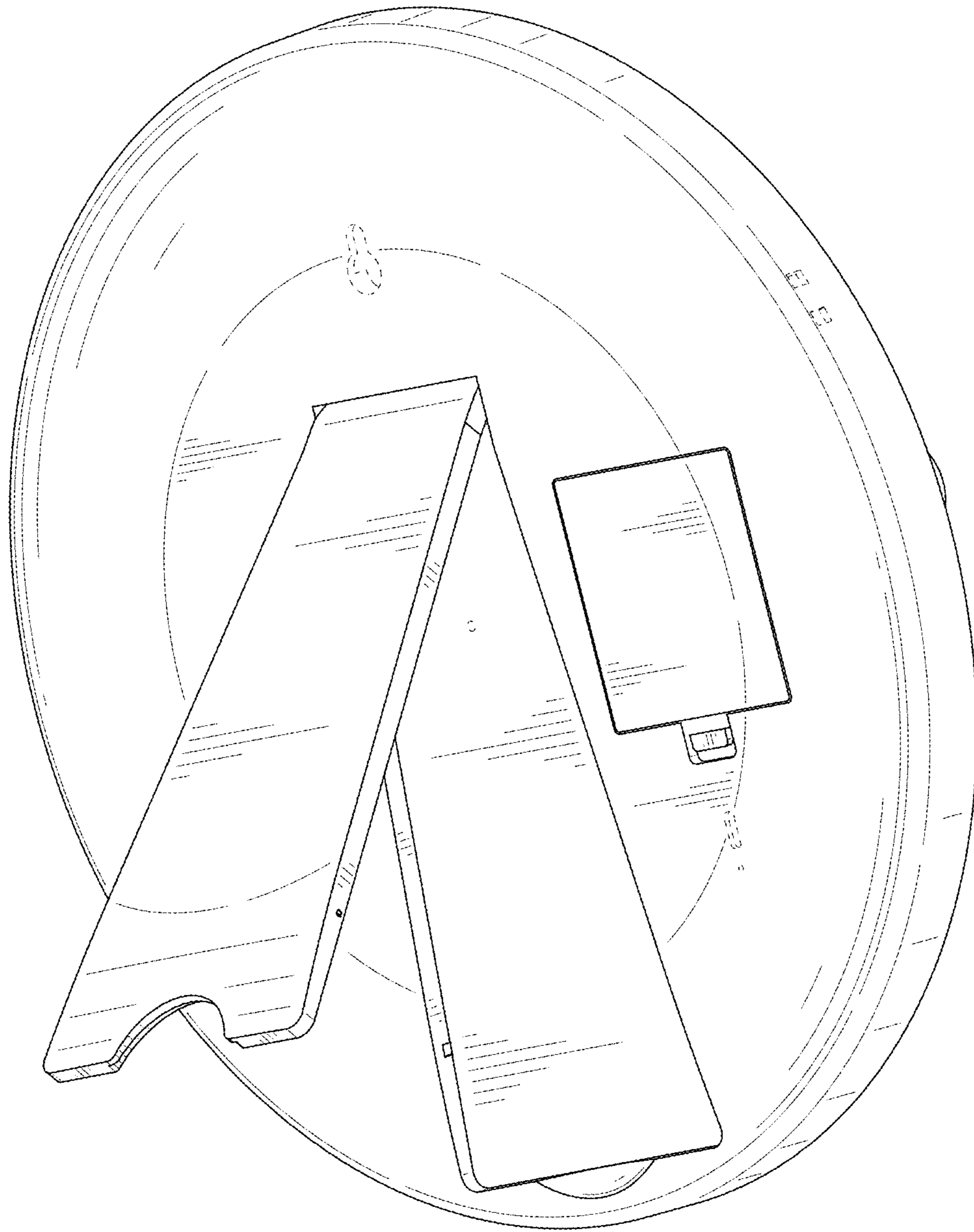


FIG. 2

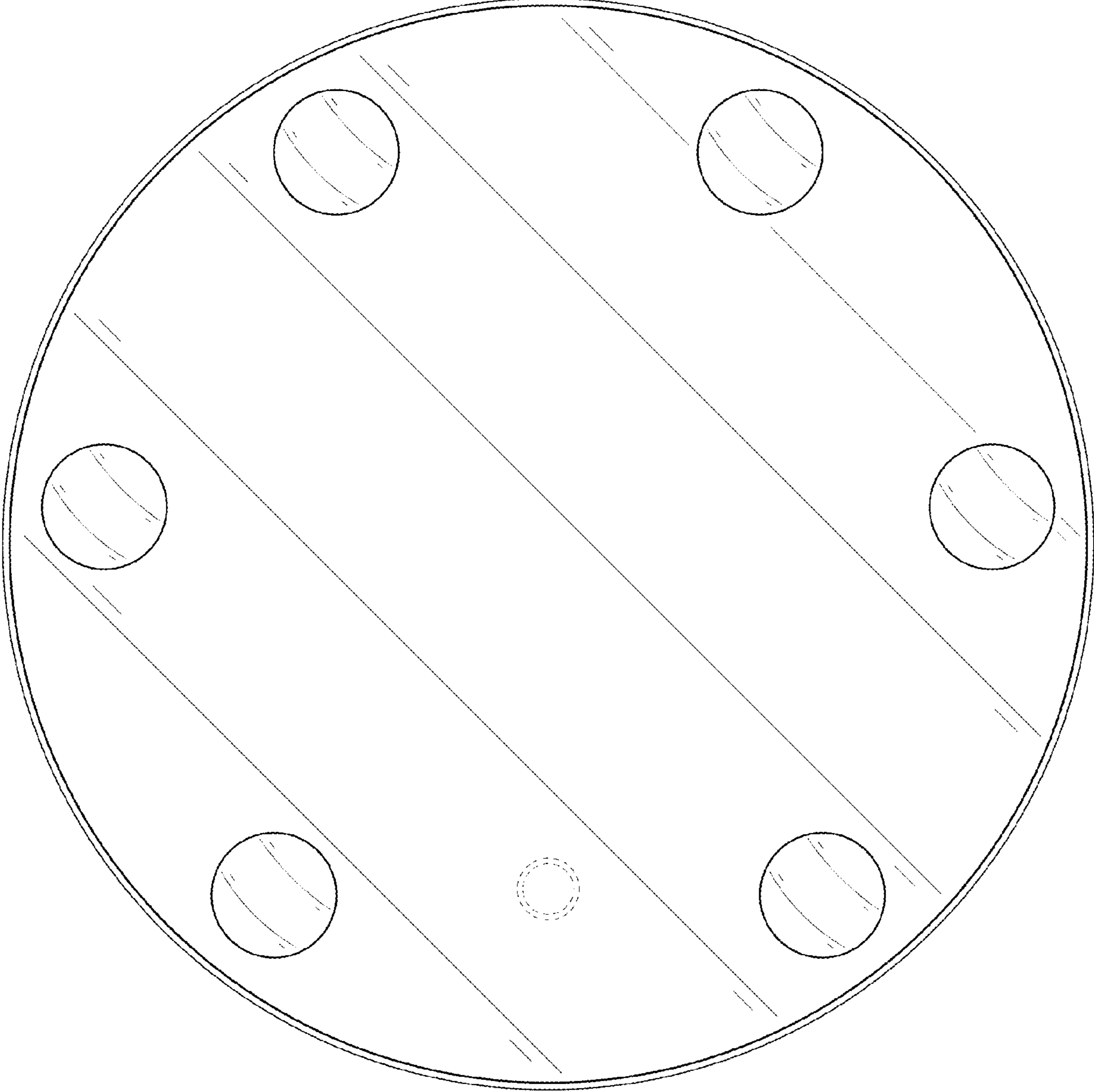


FIG. 3

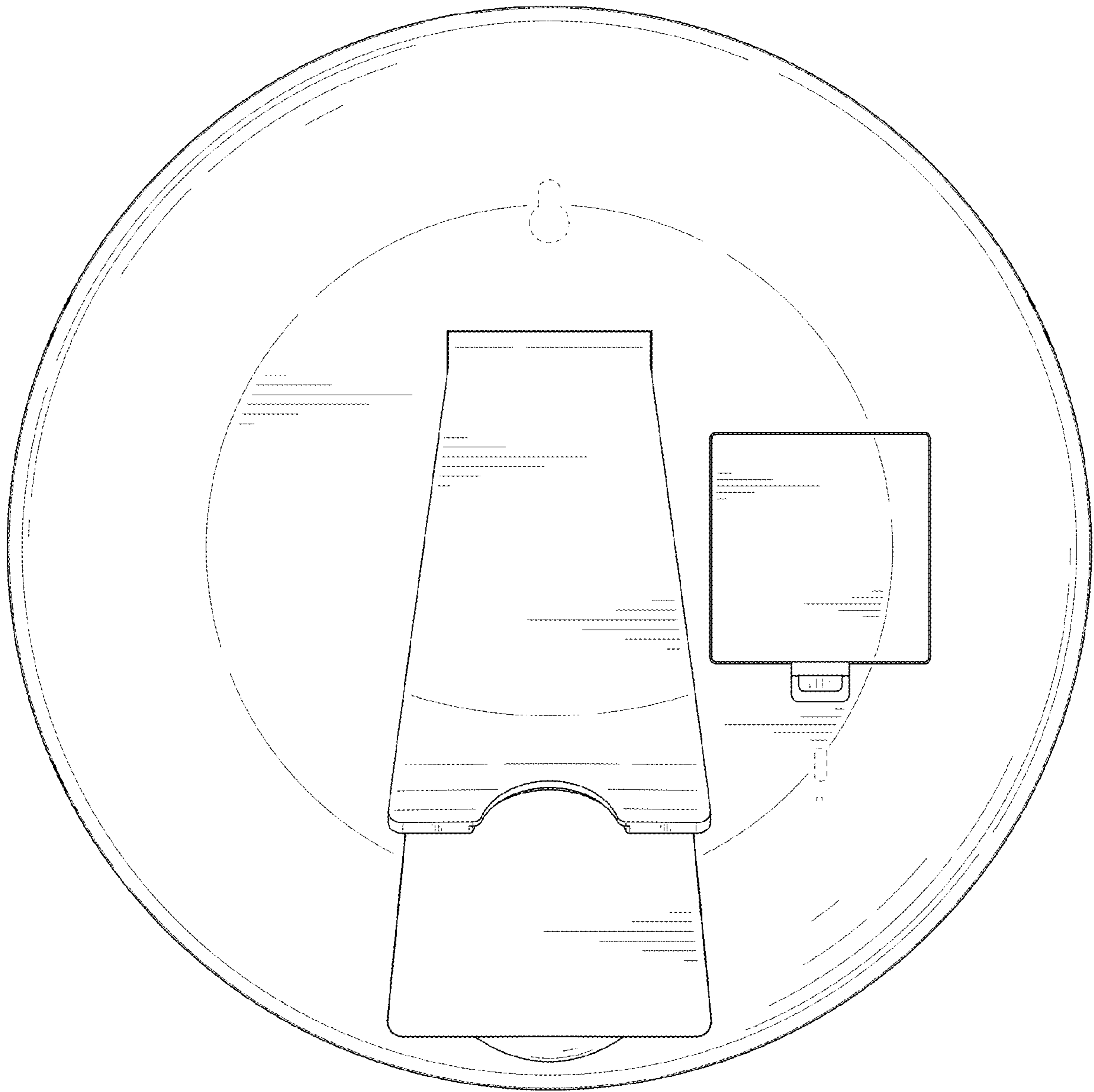


FIG. 4

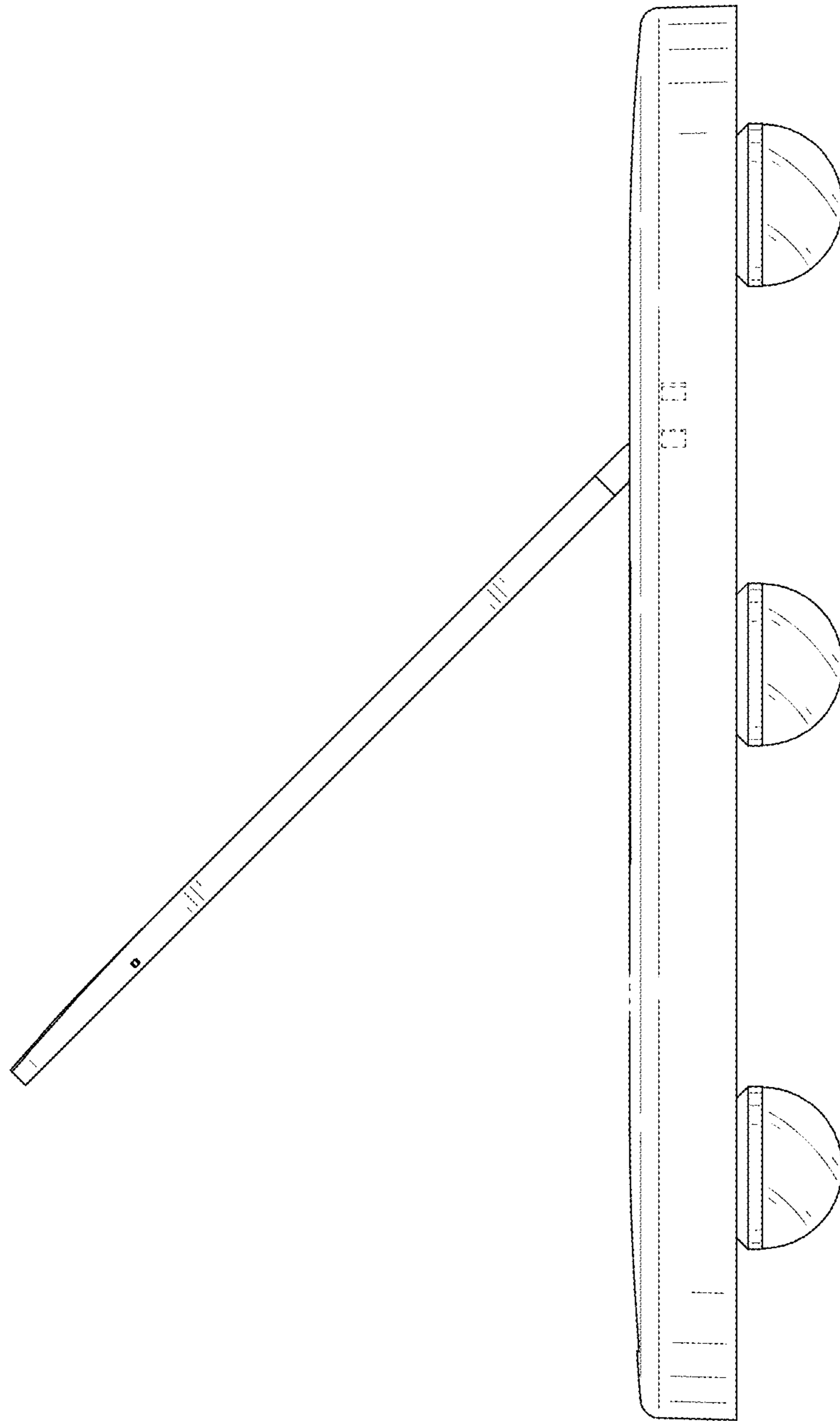


FIG. 5

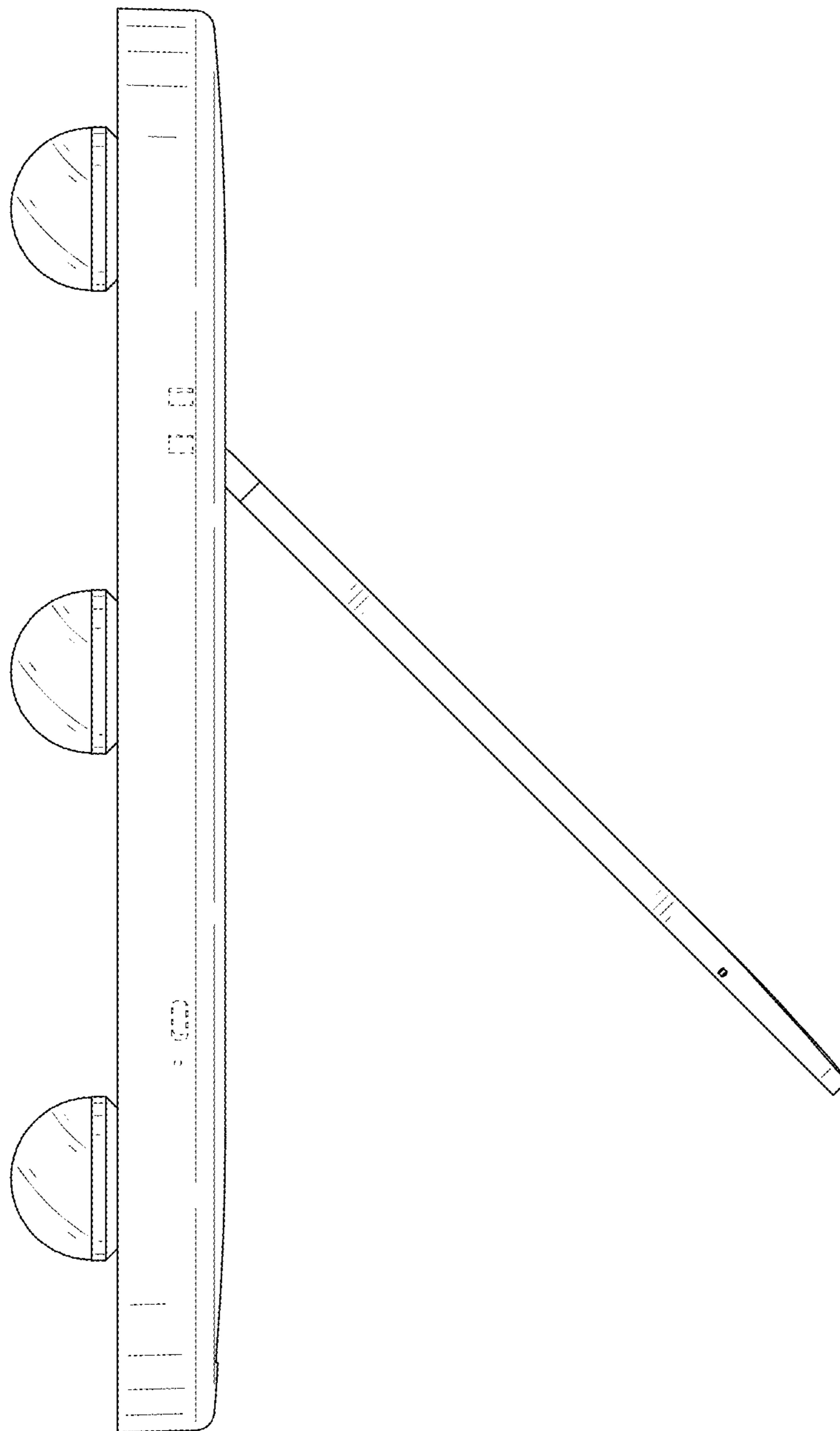


FIG. 6

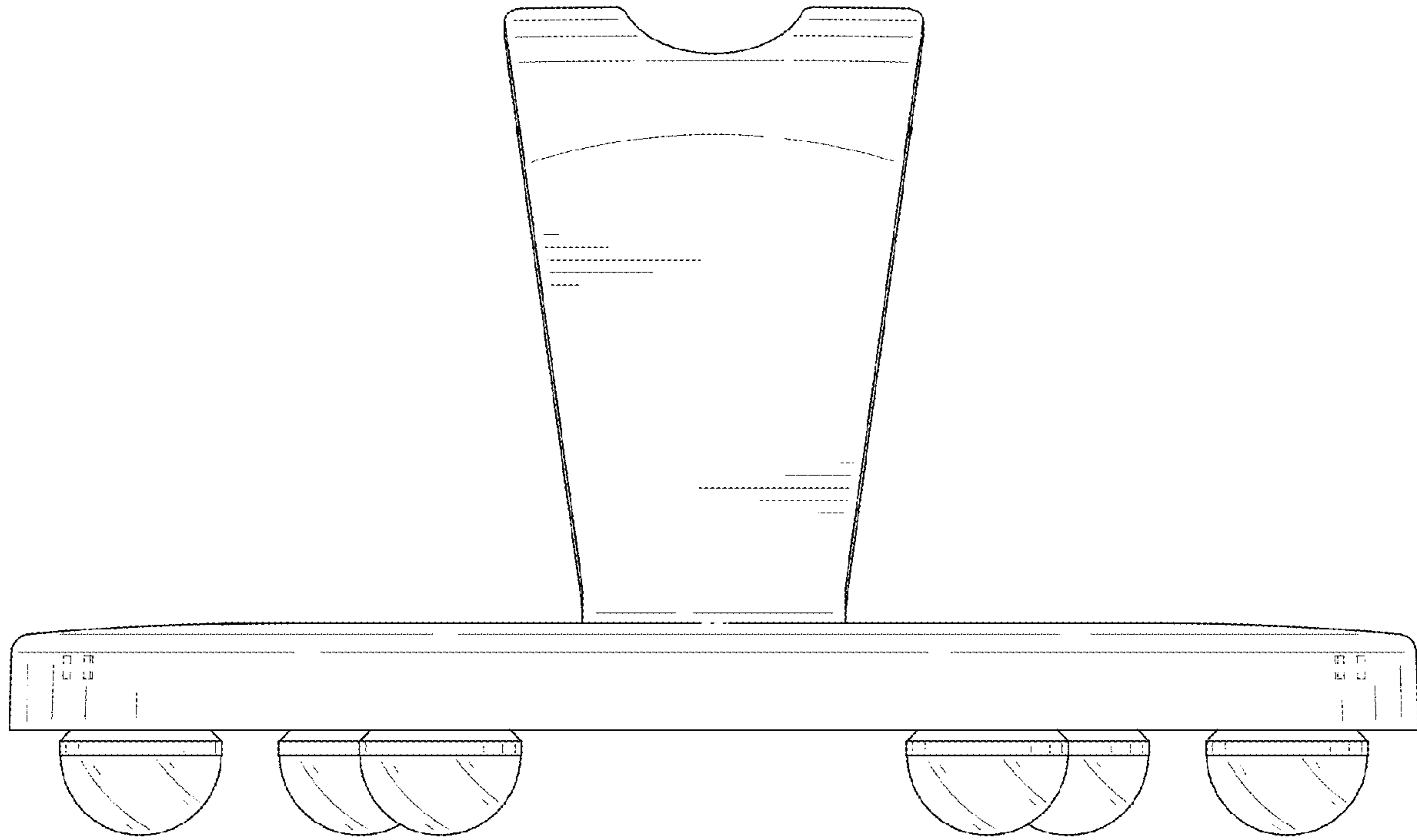


FIG. 7

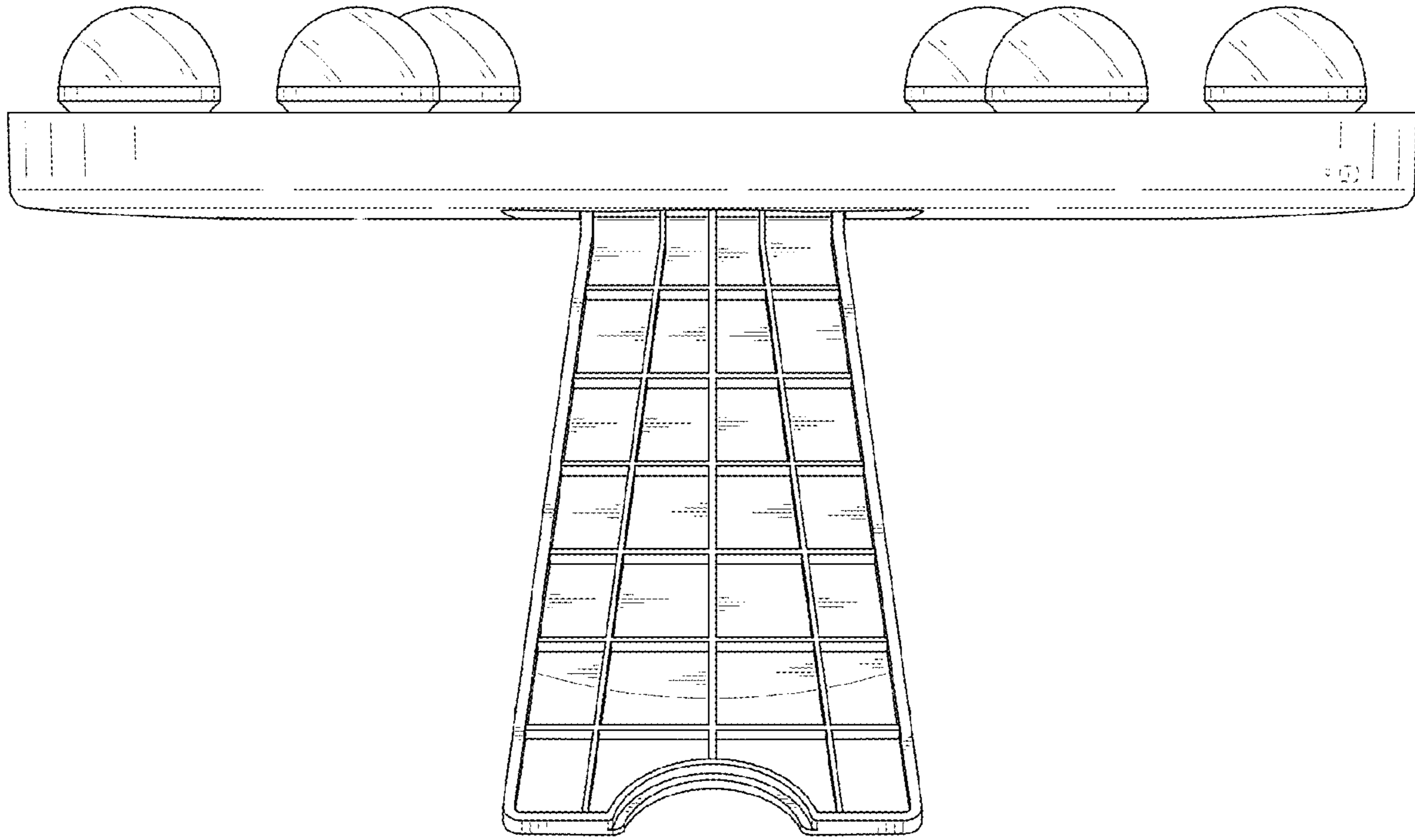


FIG. 8

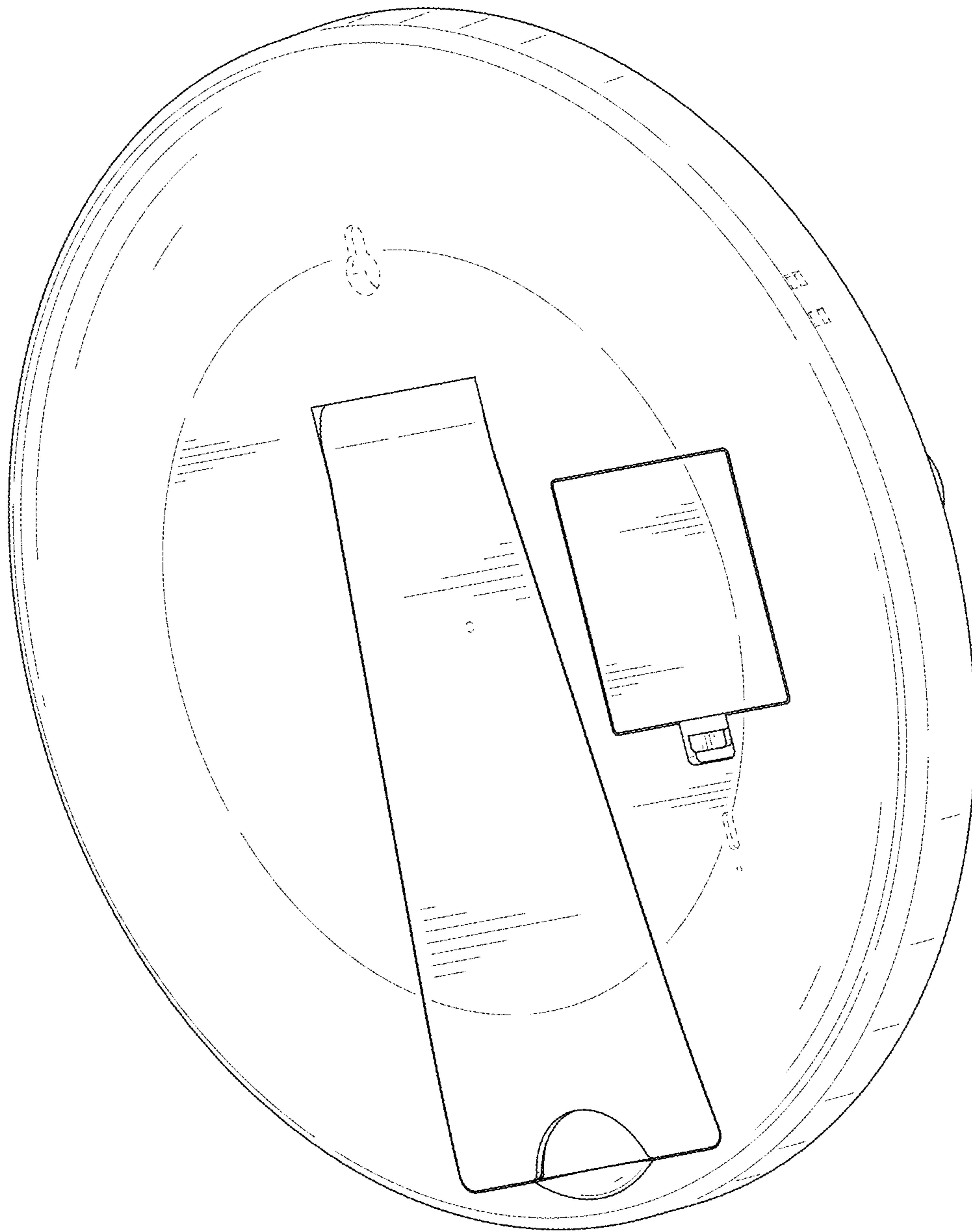


FIG. 9

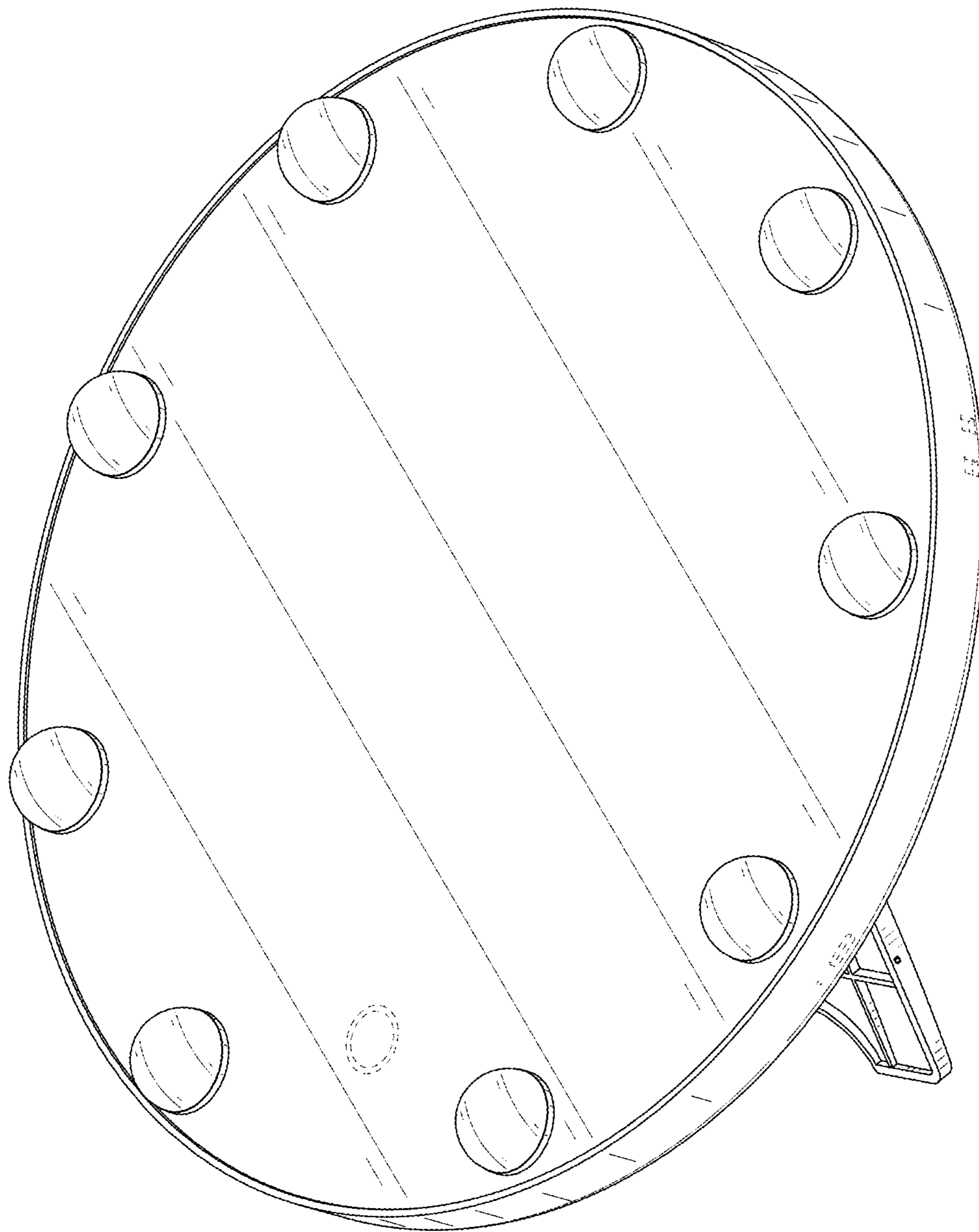


FIG. 10

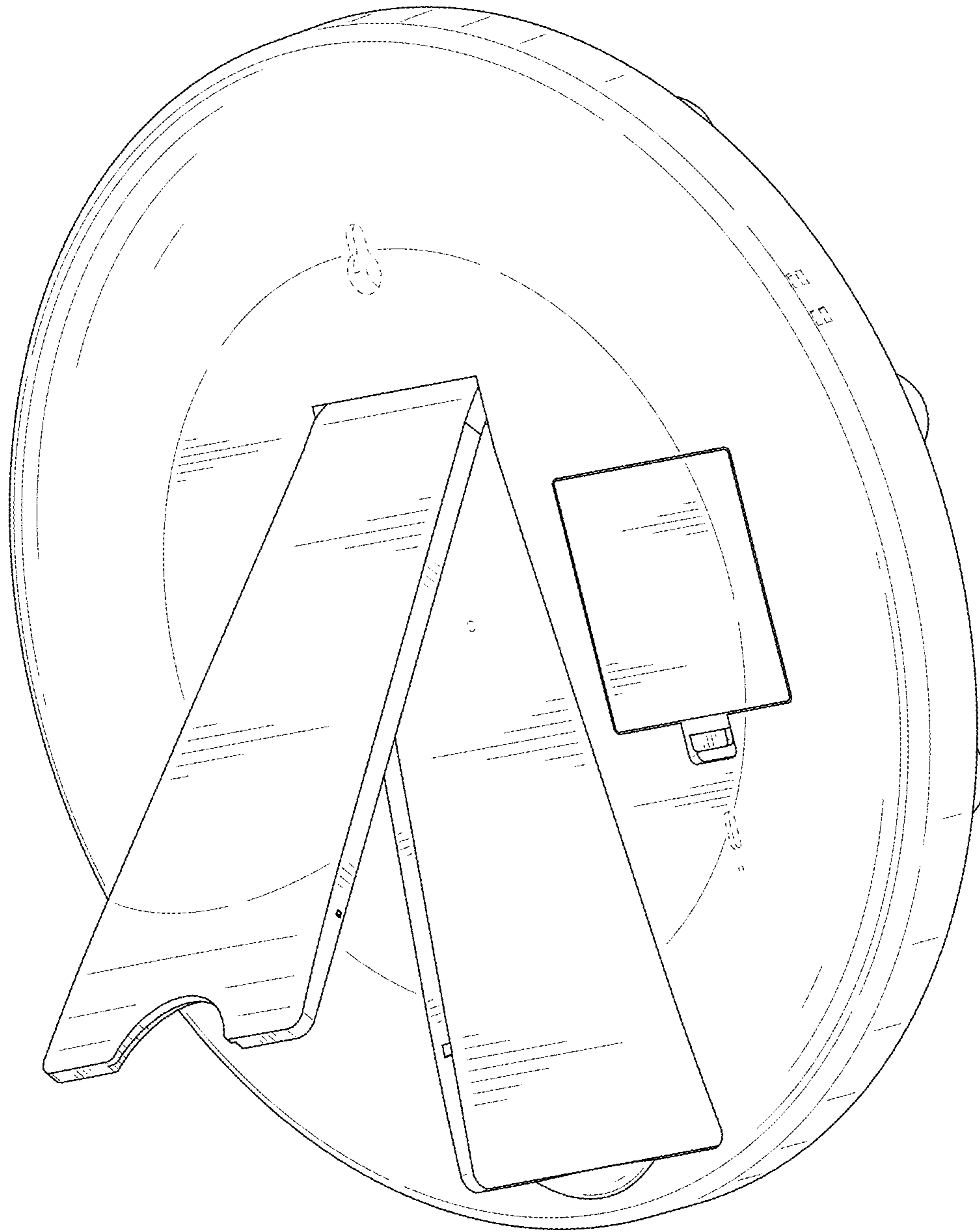


FIG. 11

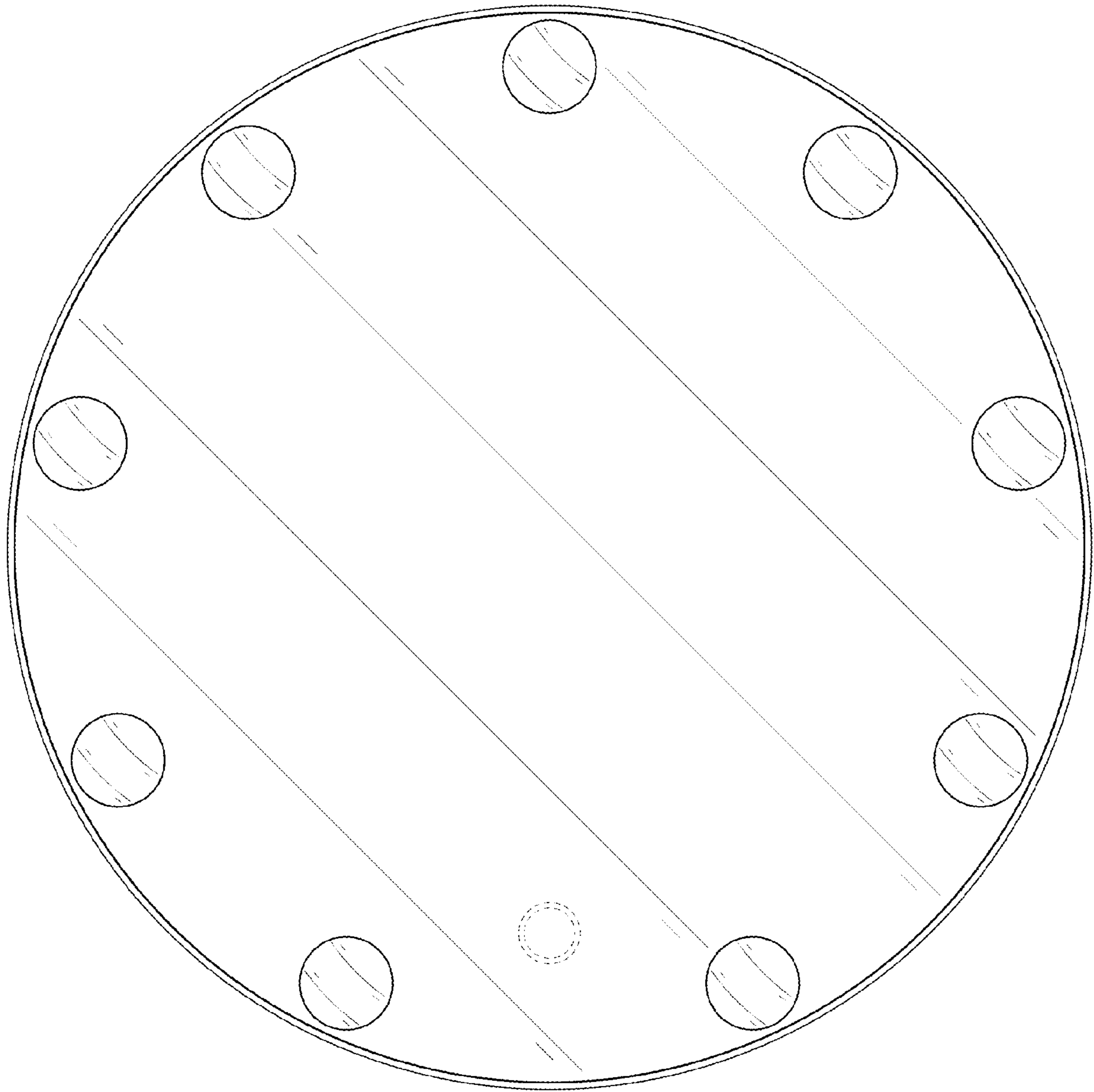


FIG. 12

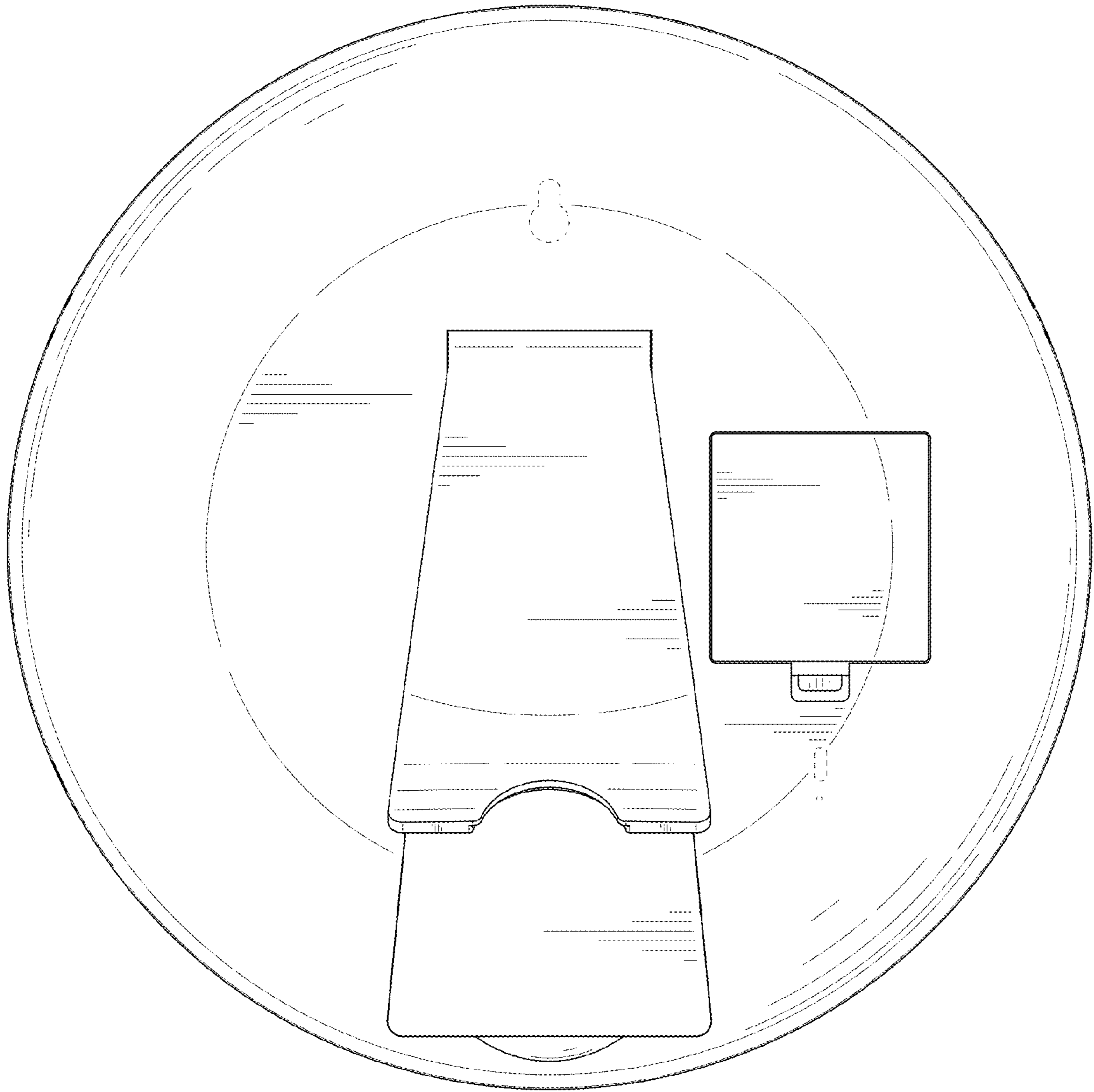


FIG. 13

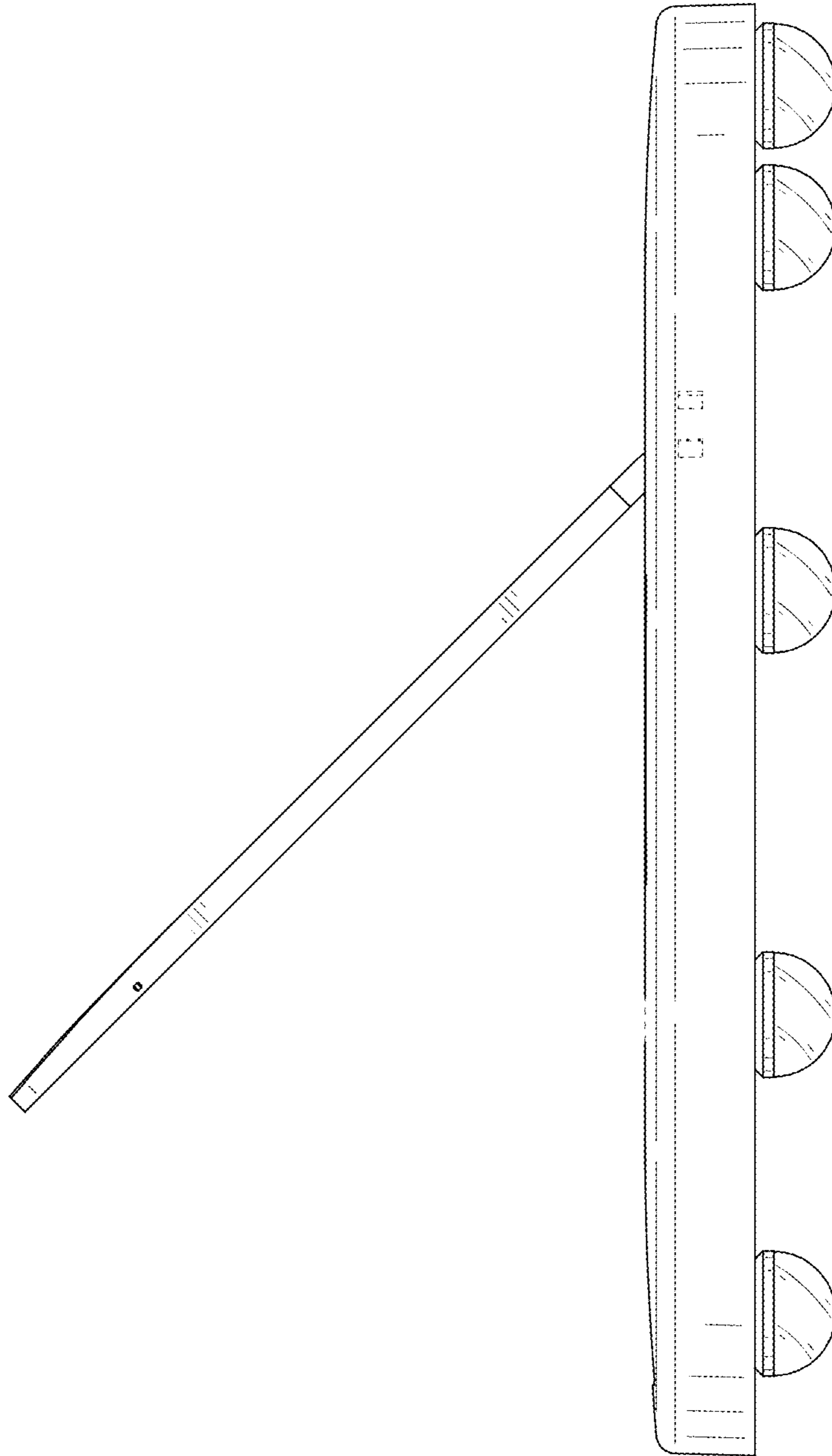


FIG. 14

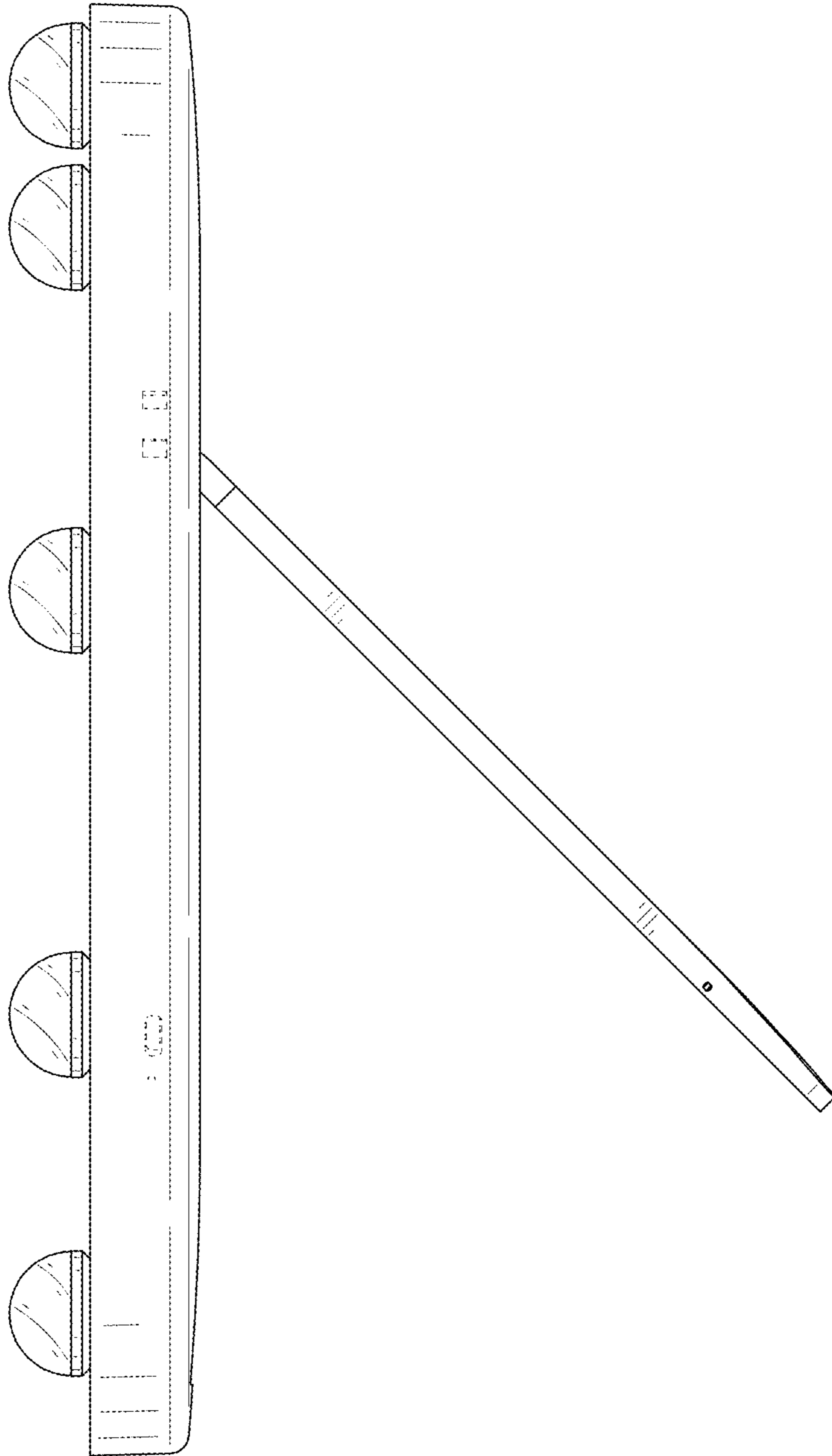


FIG. 15

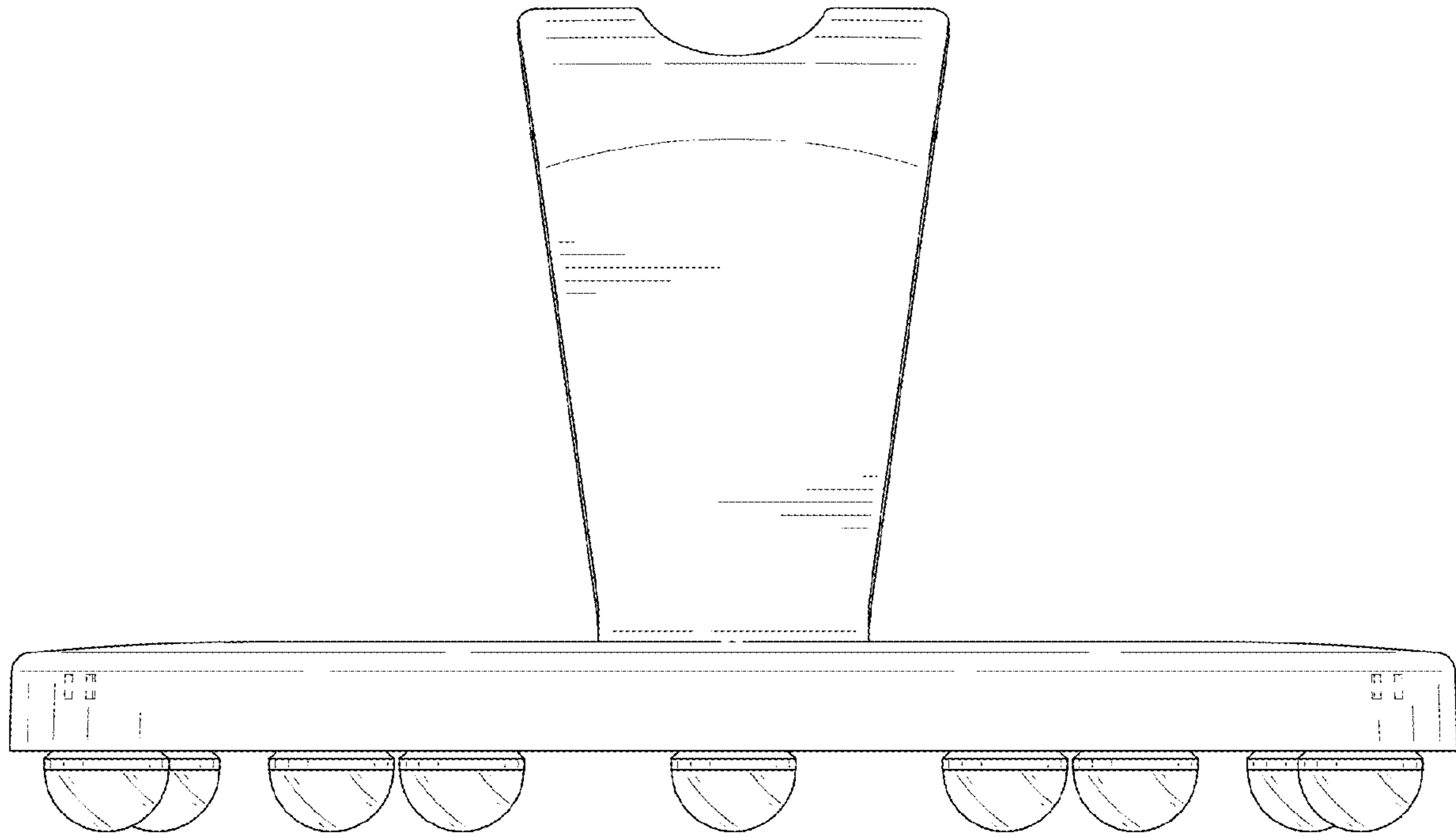


FIG. 16

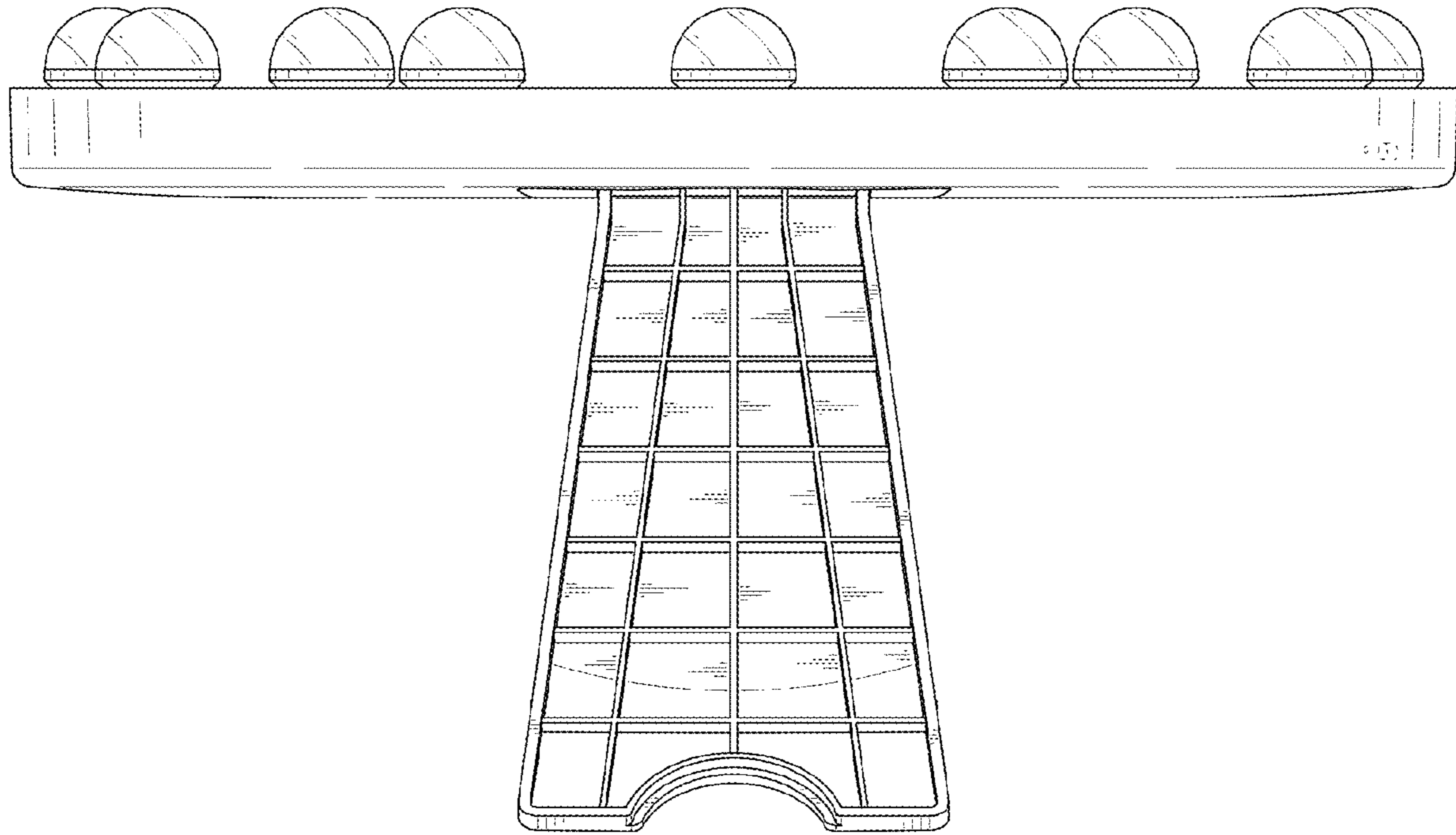


FIG. 17

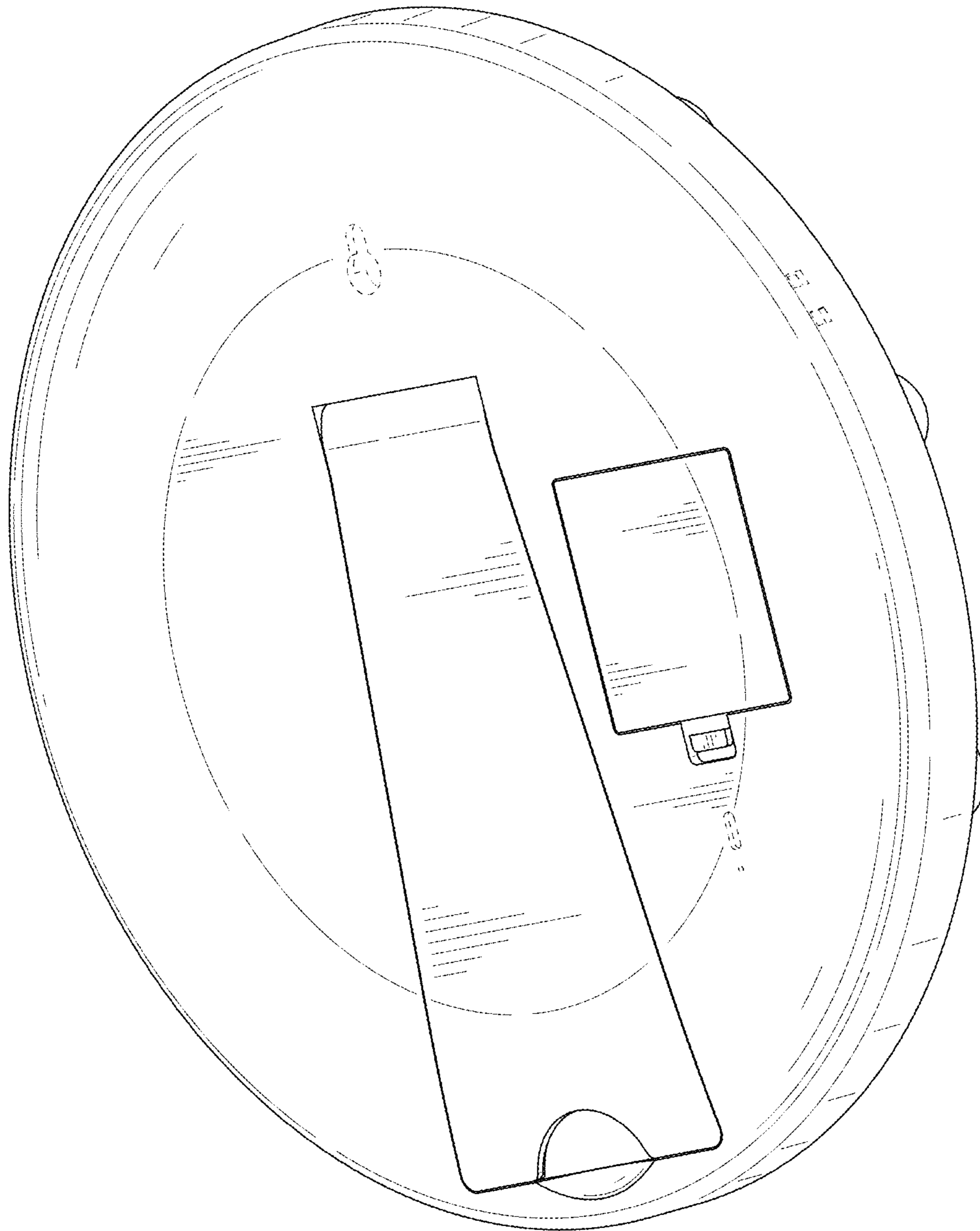


FIG. 18

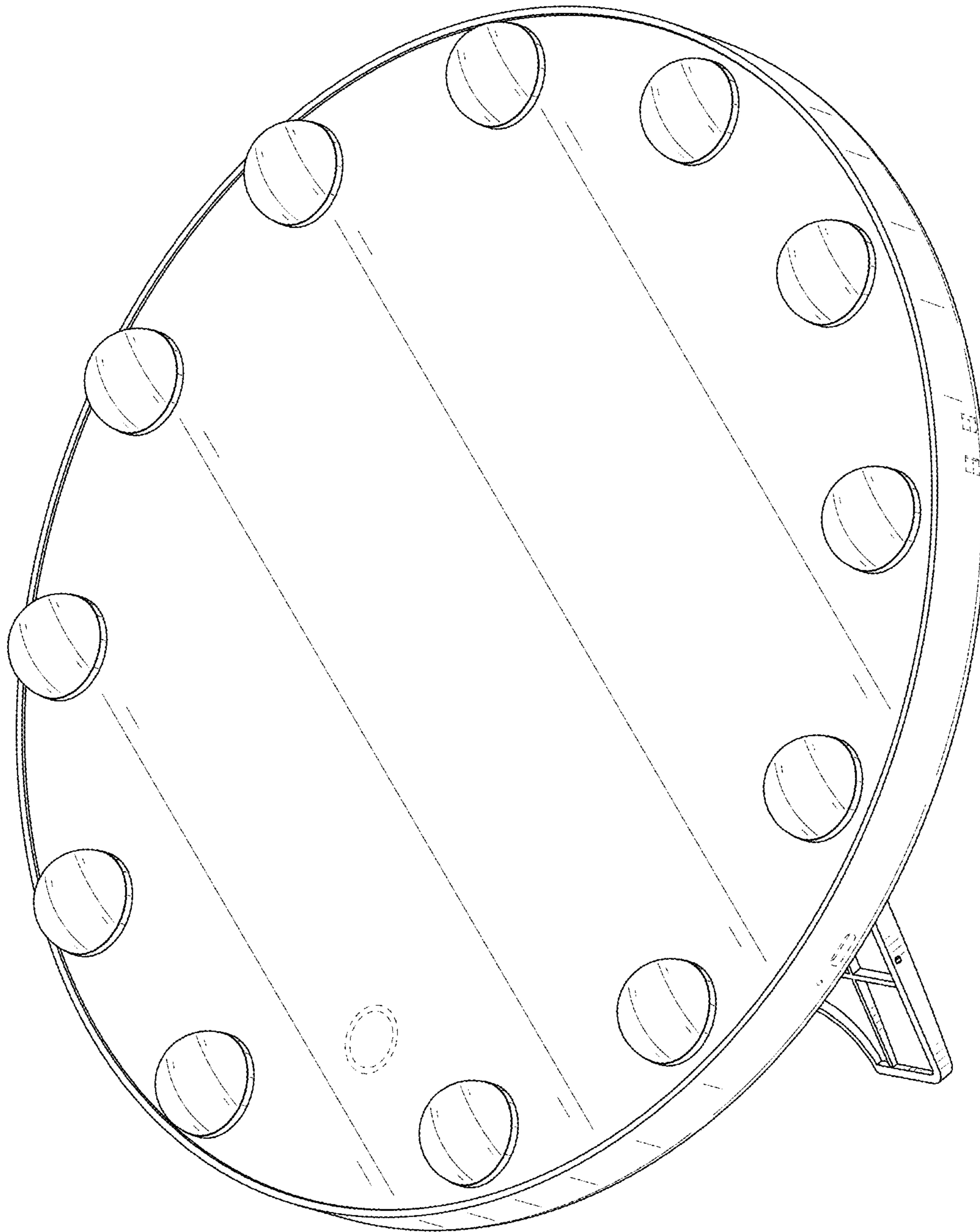


FIG. 19

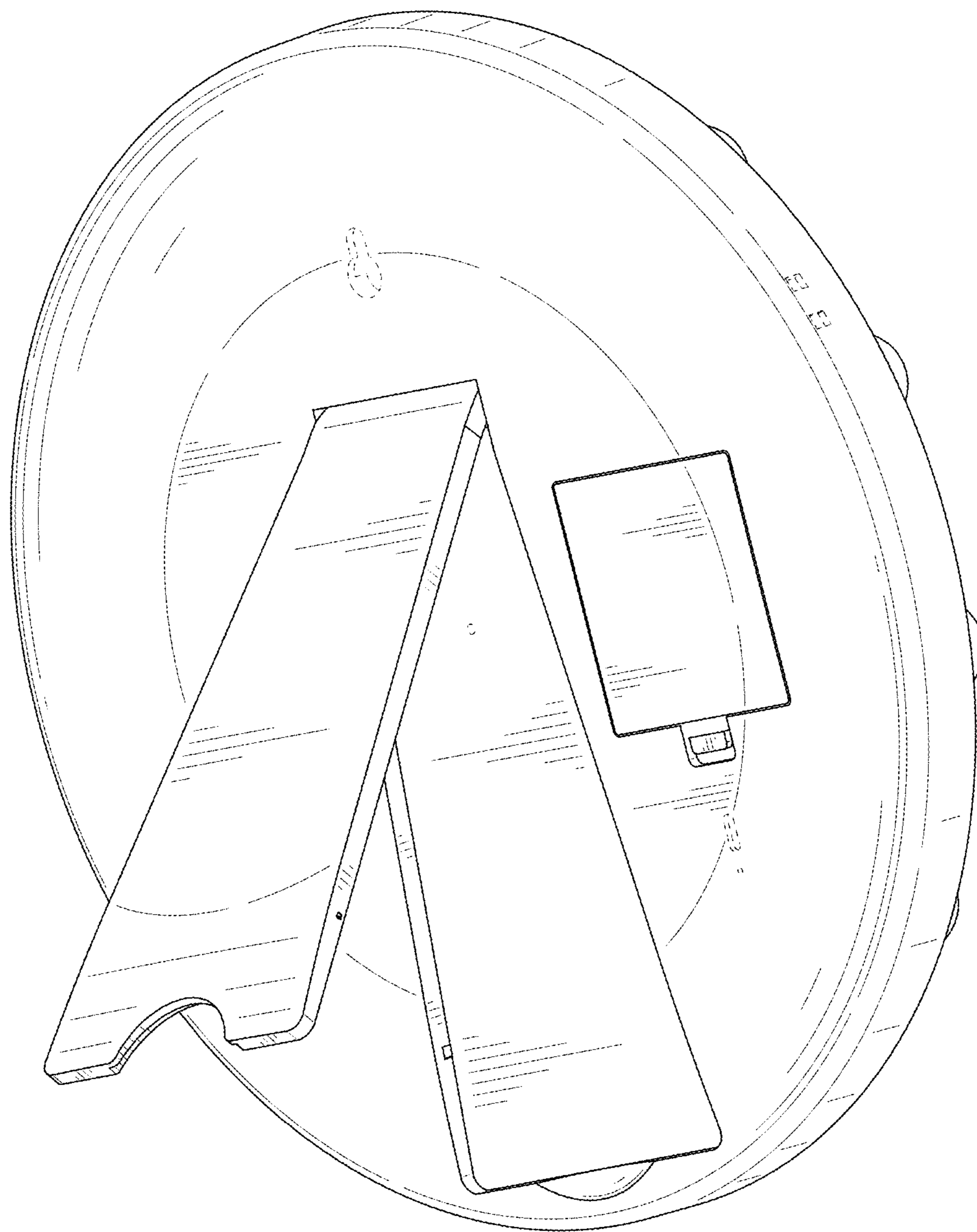


FIG. 20

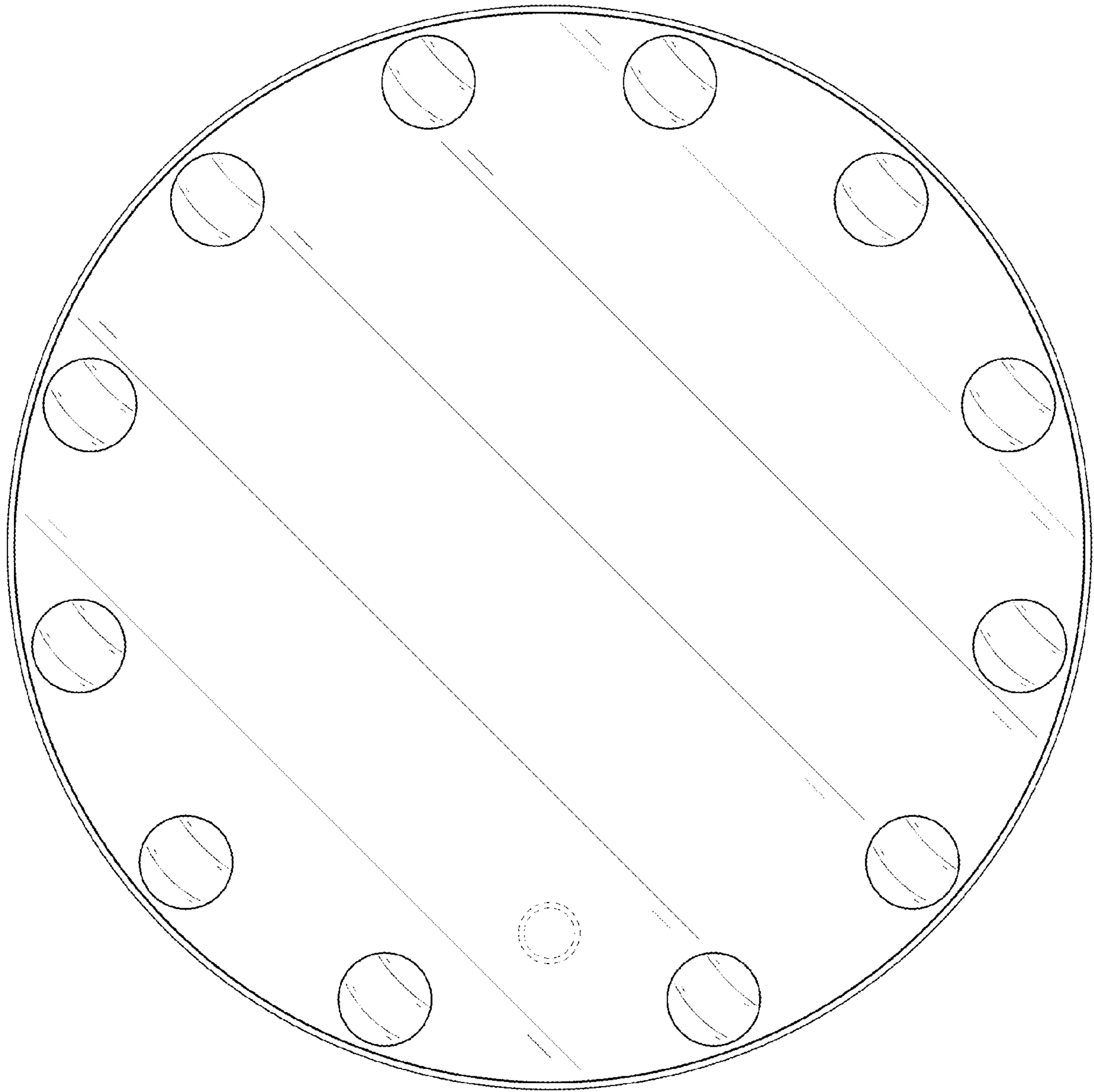


FIG. 21

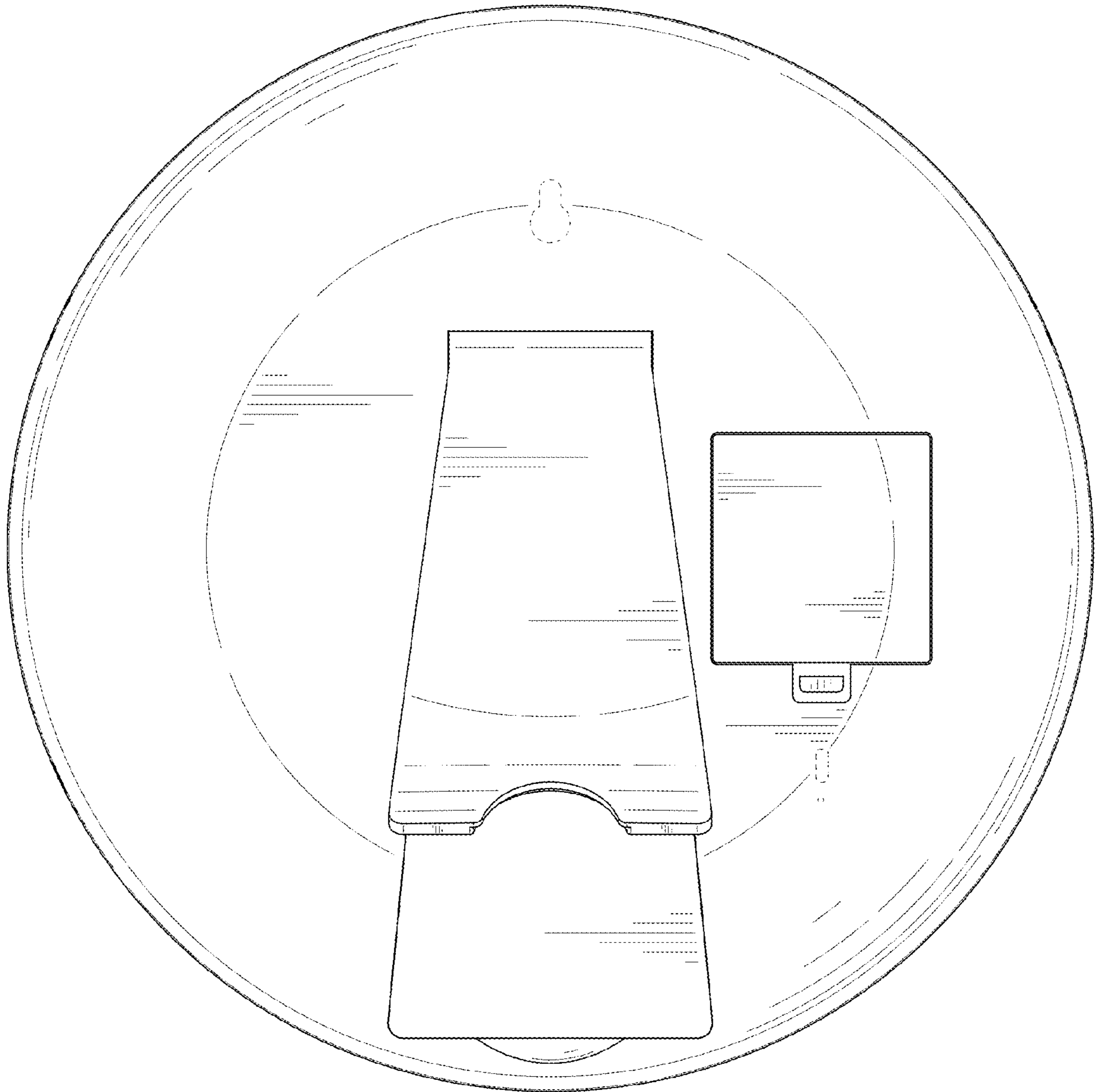


FIG. 22

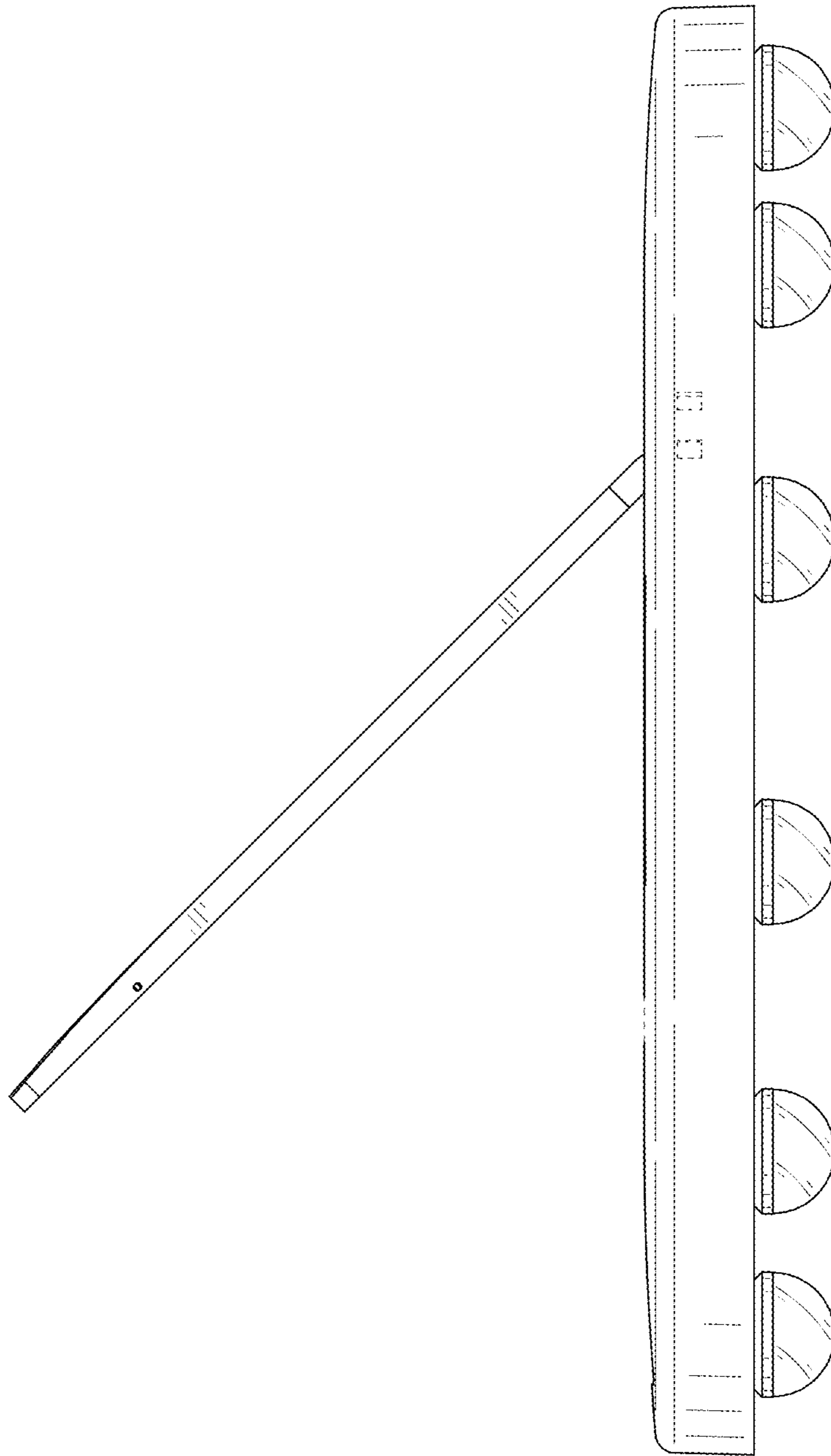


FIG. 23

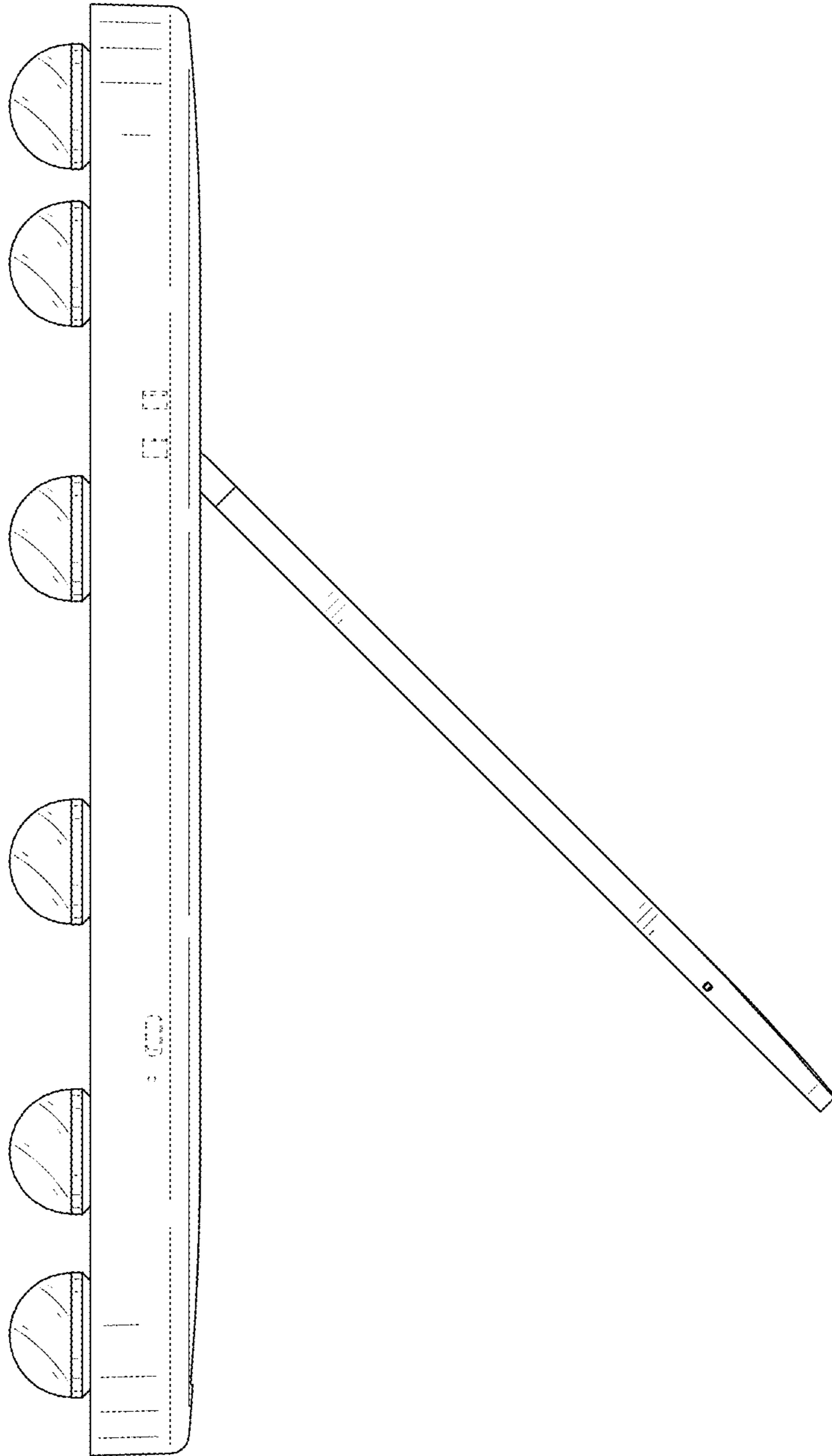


FIG. 24

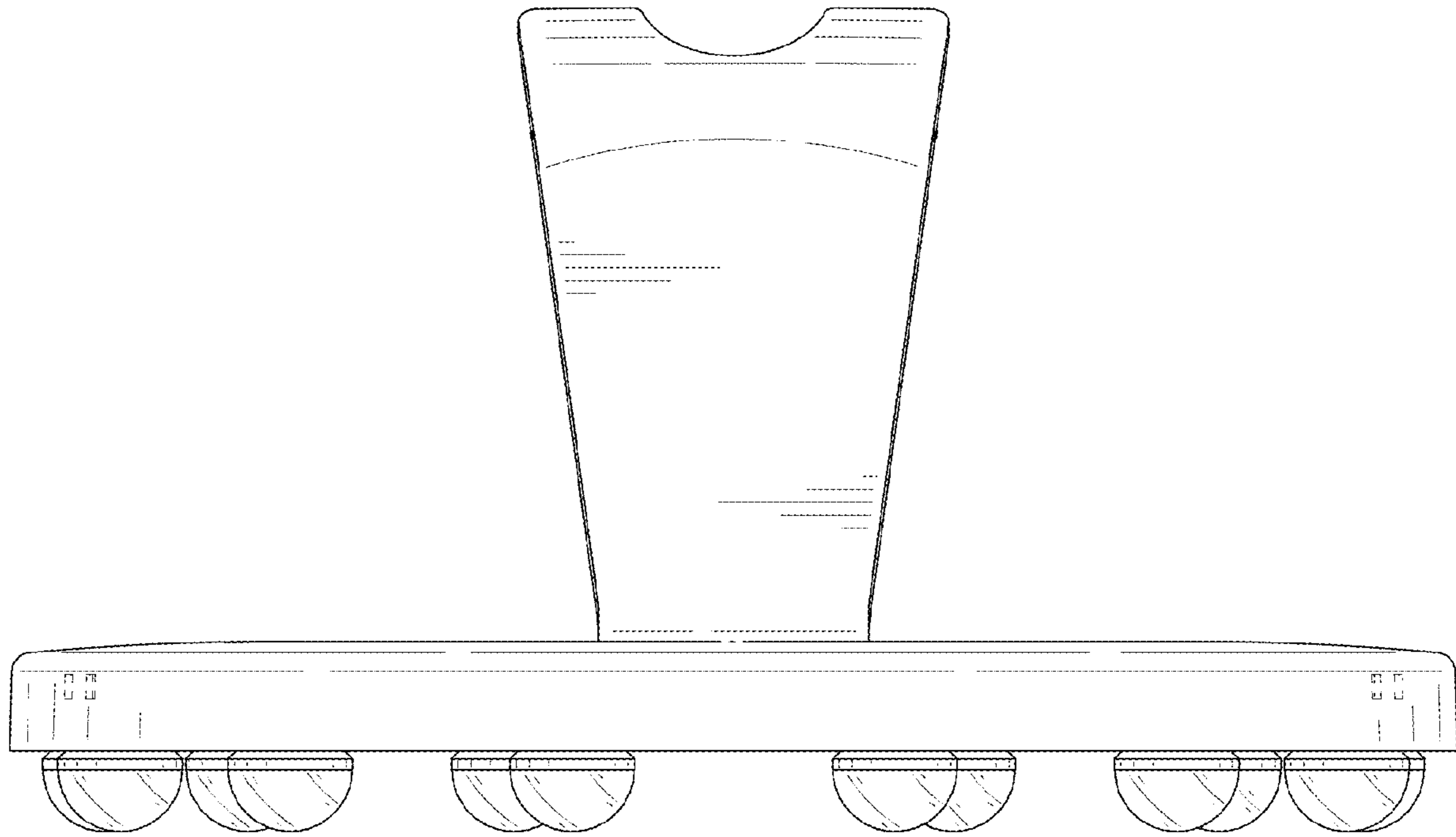


FIG. 25

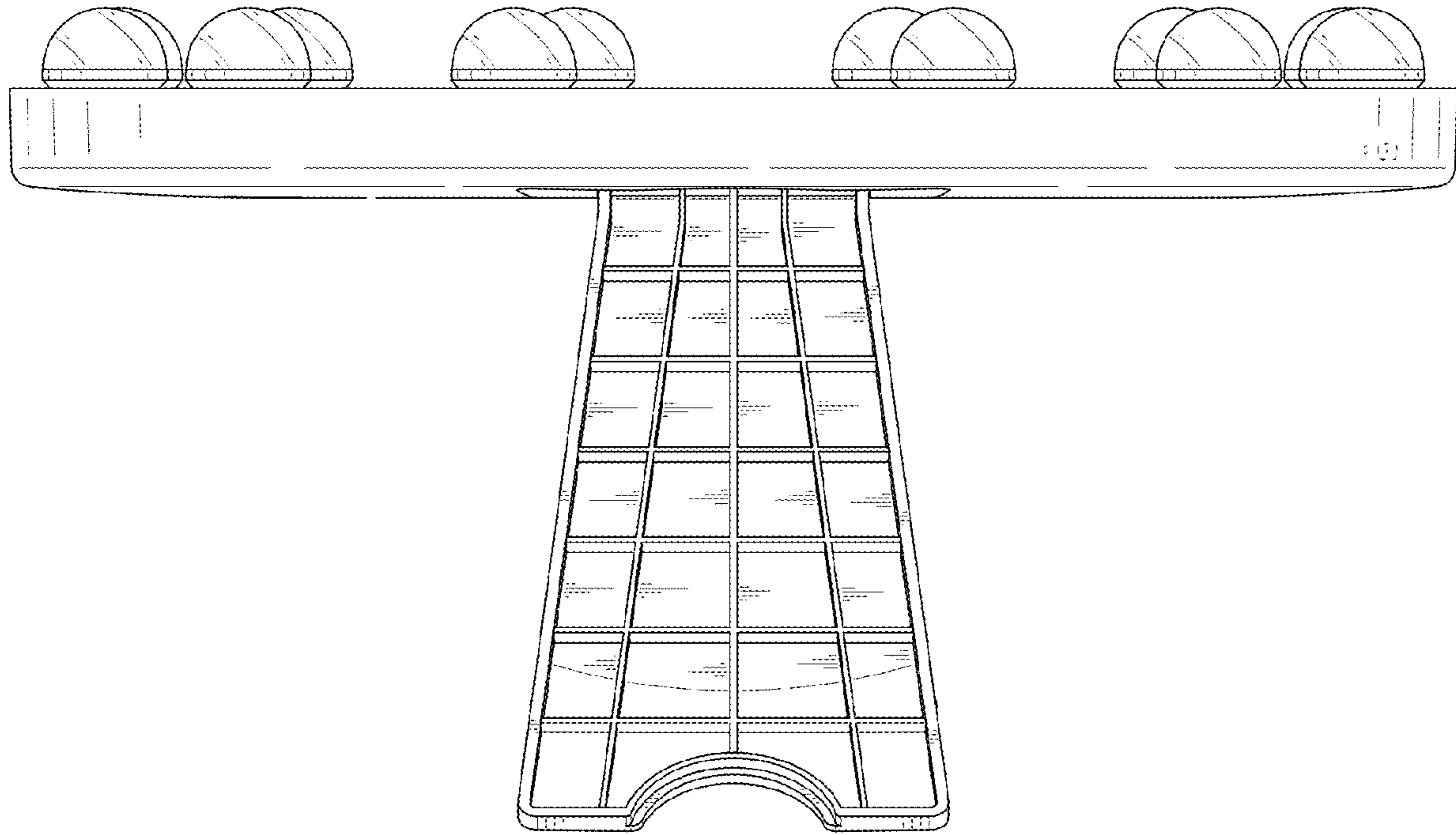


FIG. 26

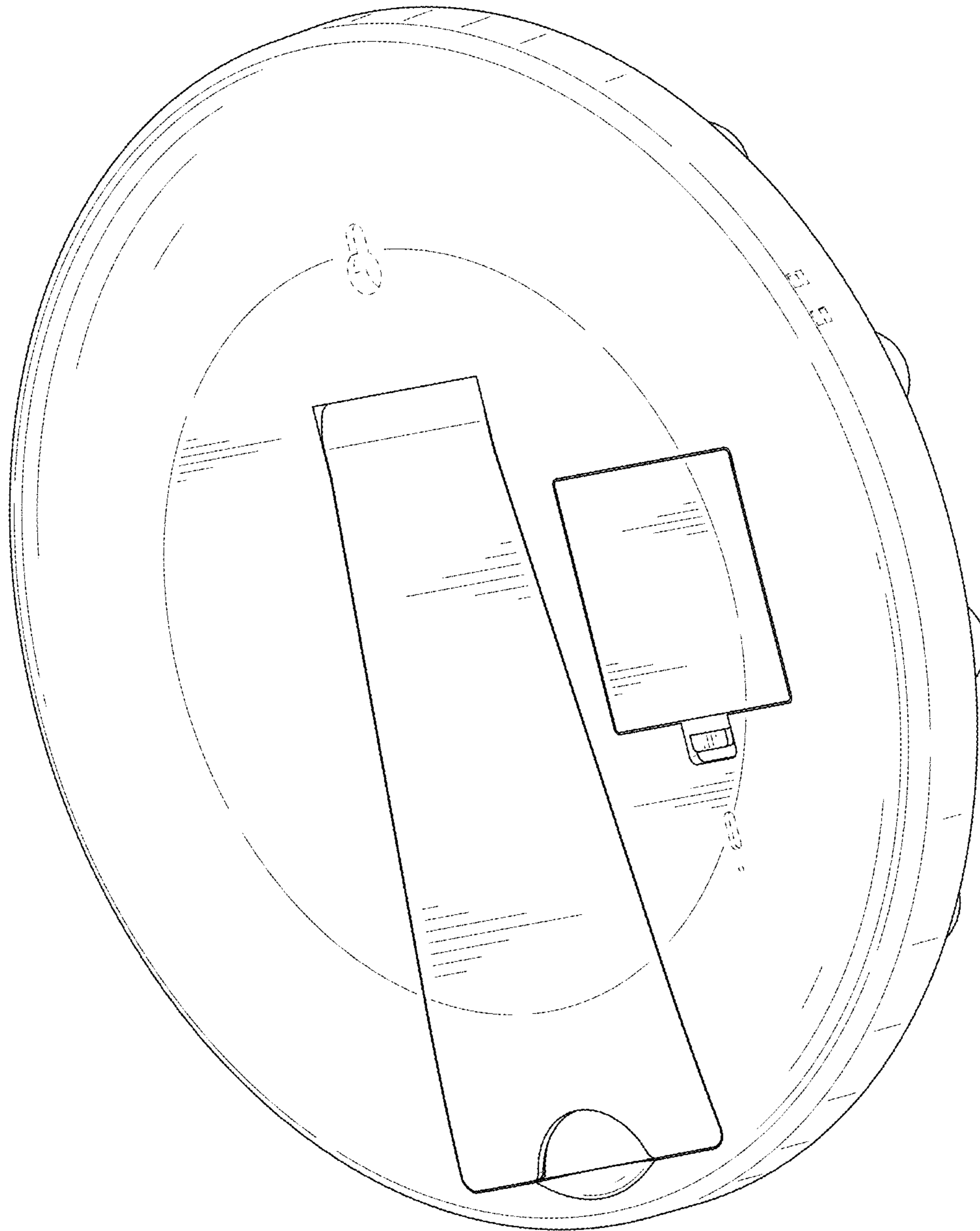


FIG. 27

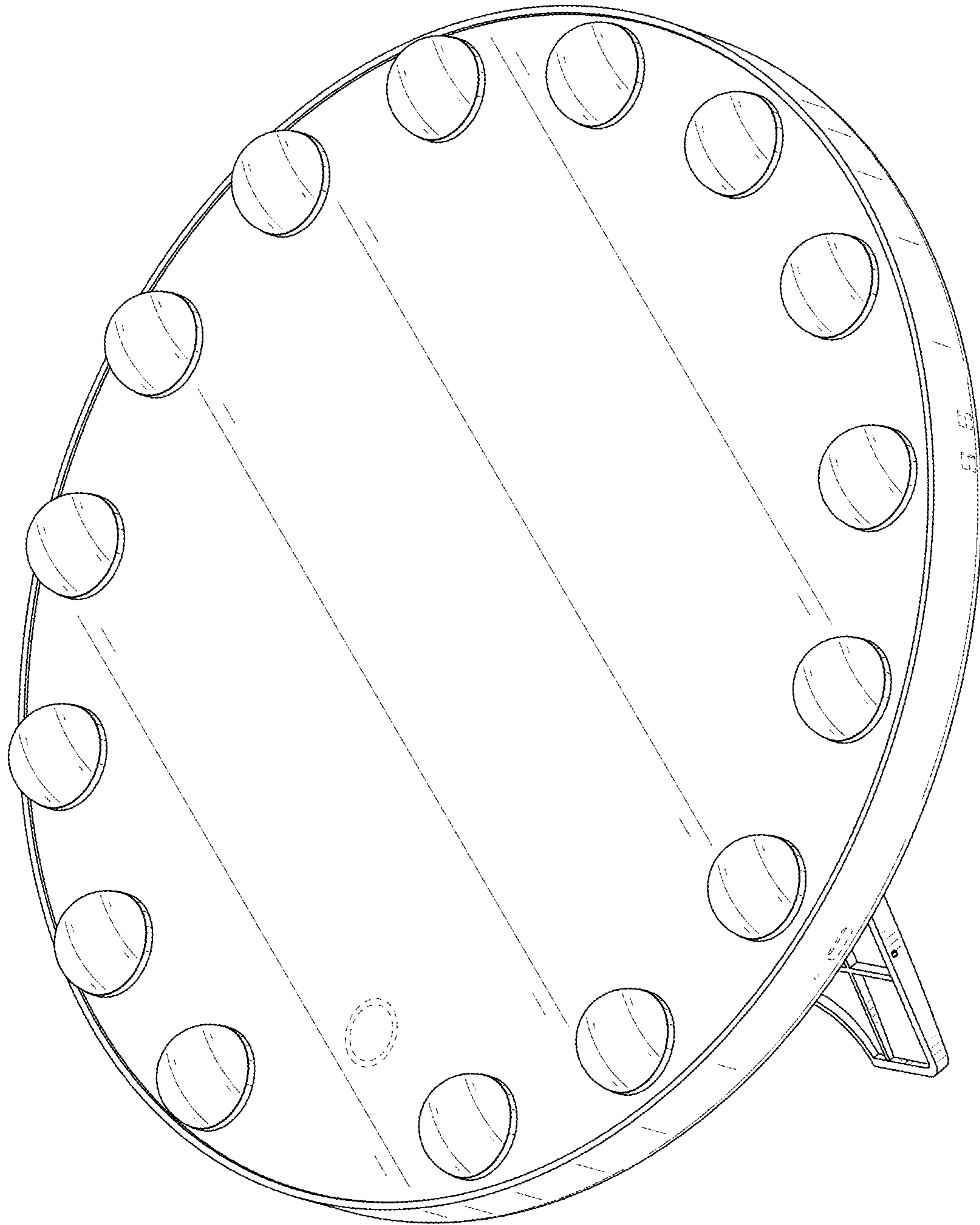


FIG. 28

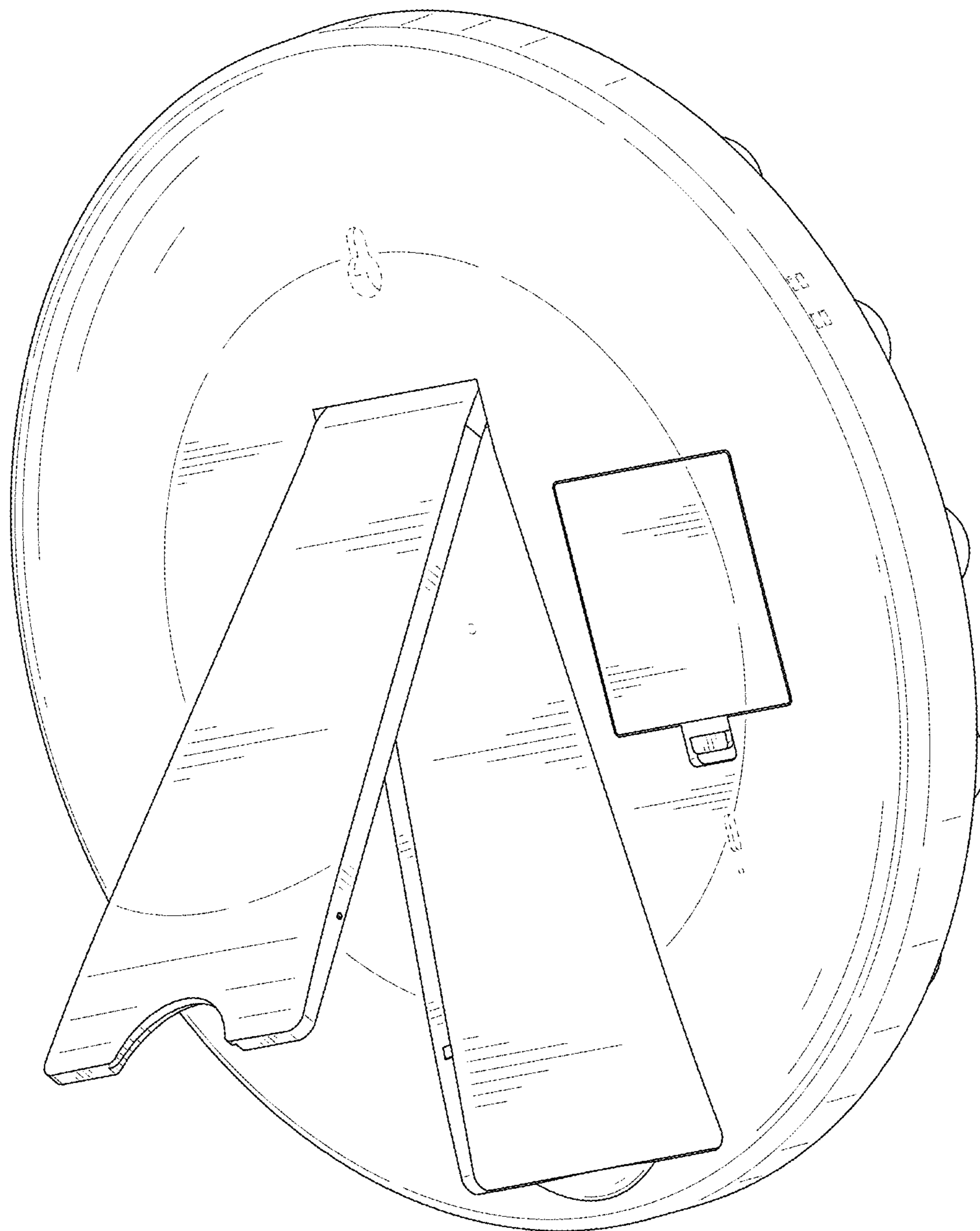


FIG. 29

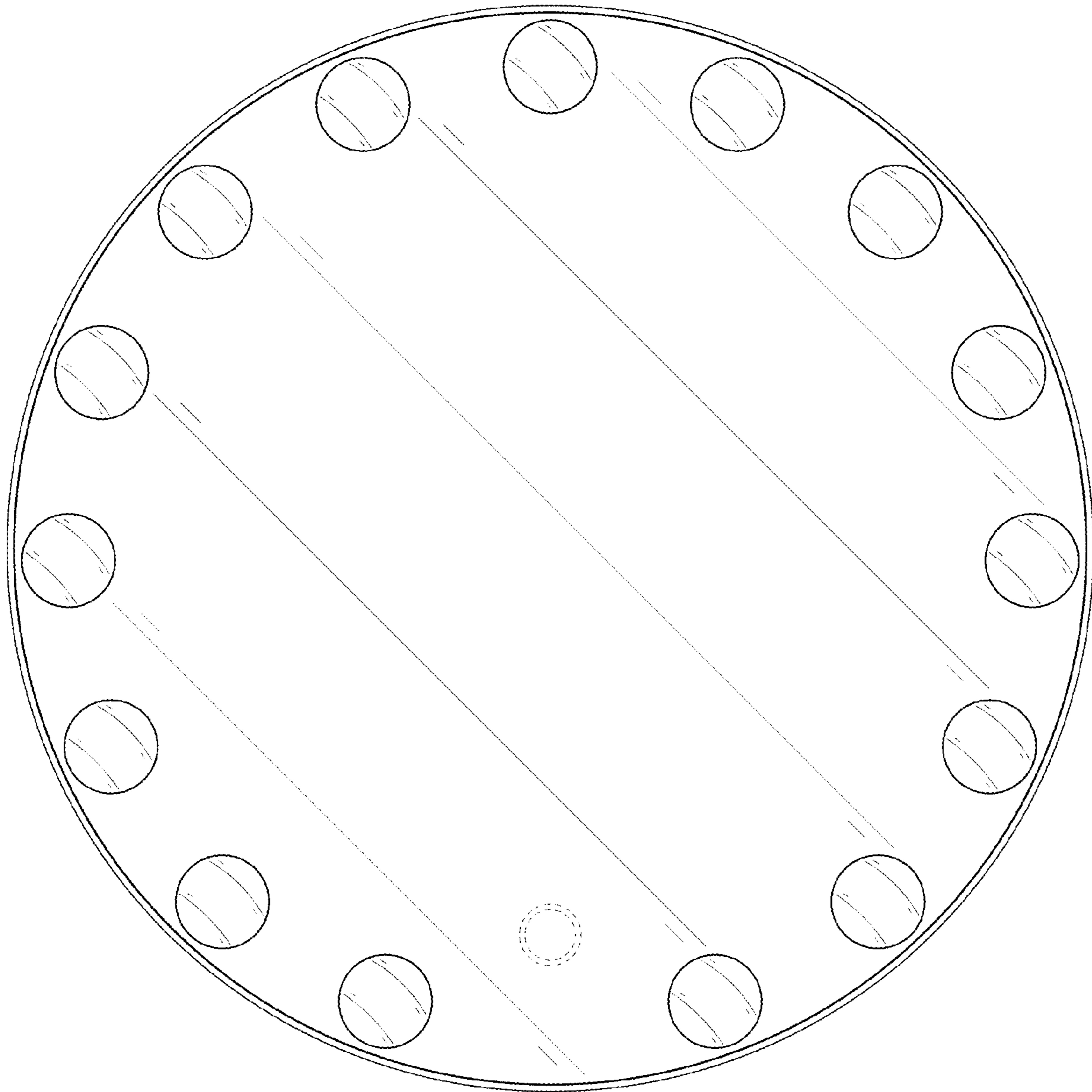


FIG. 30

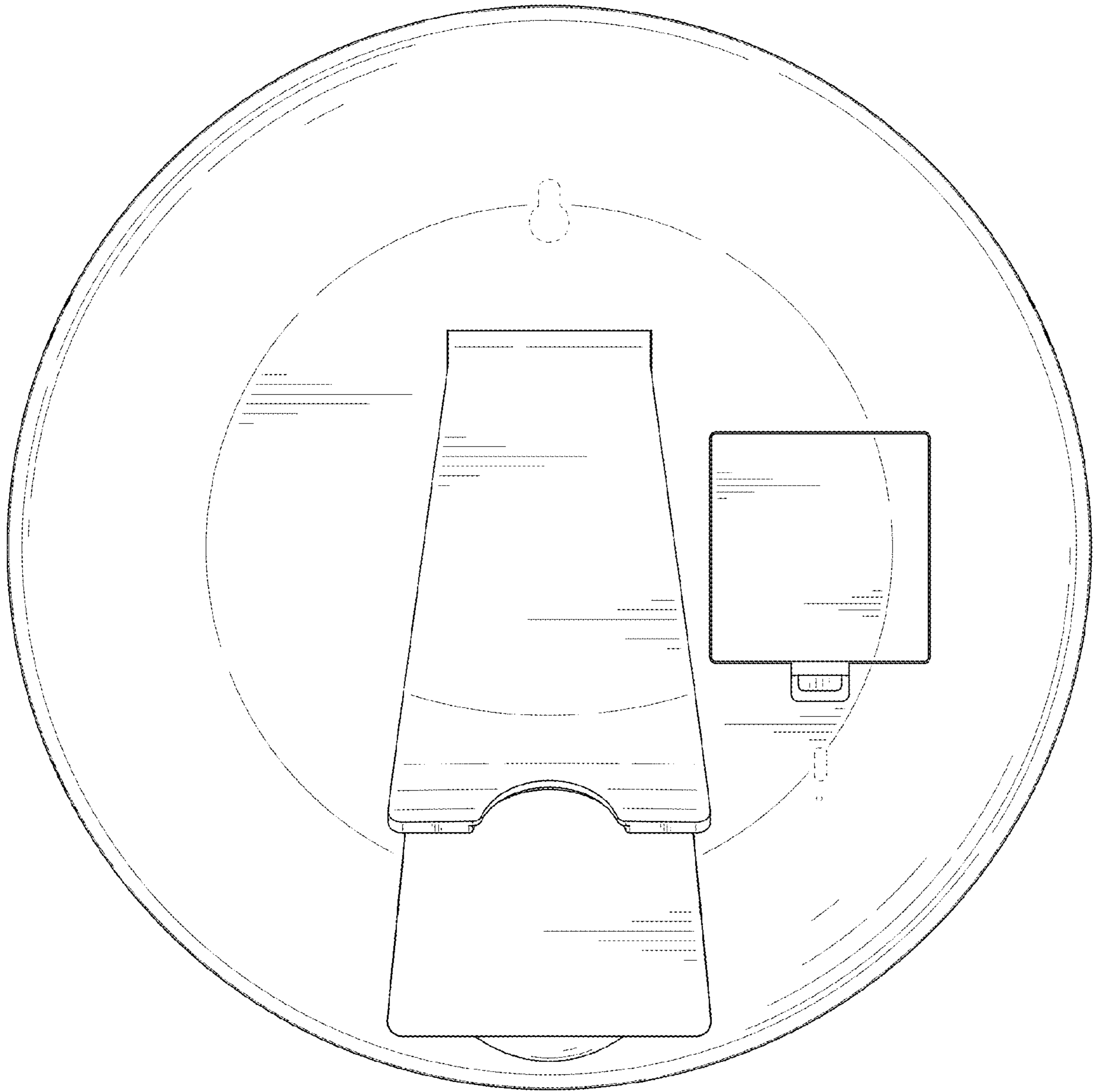


FIG.31

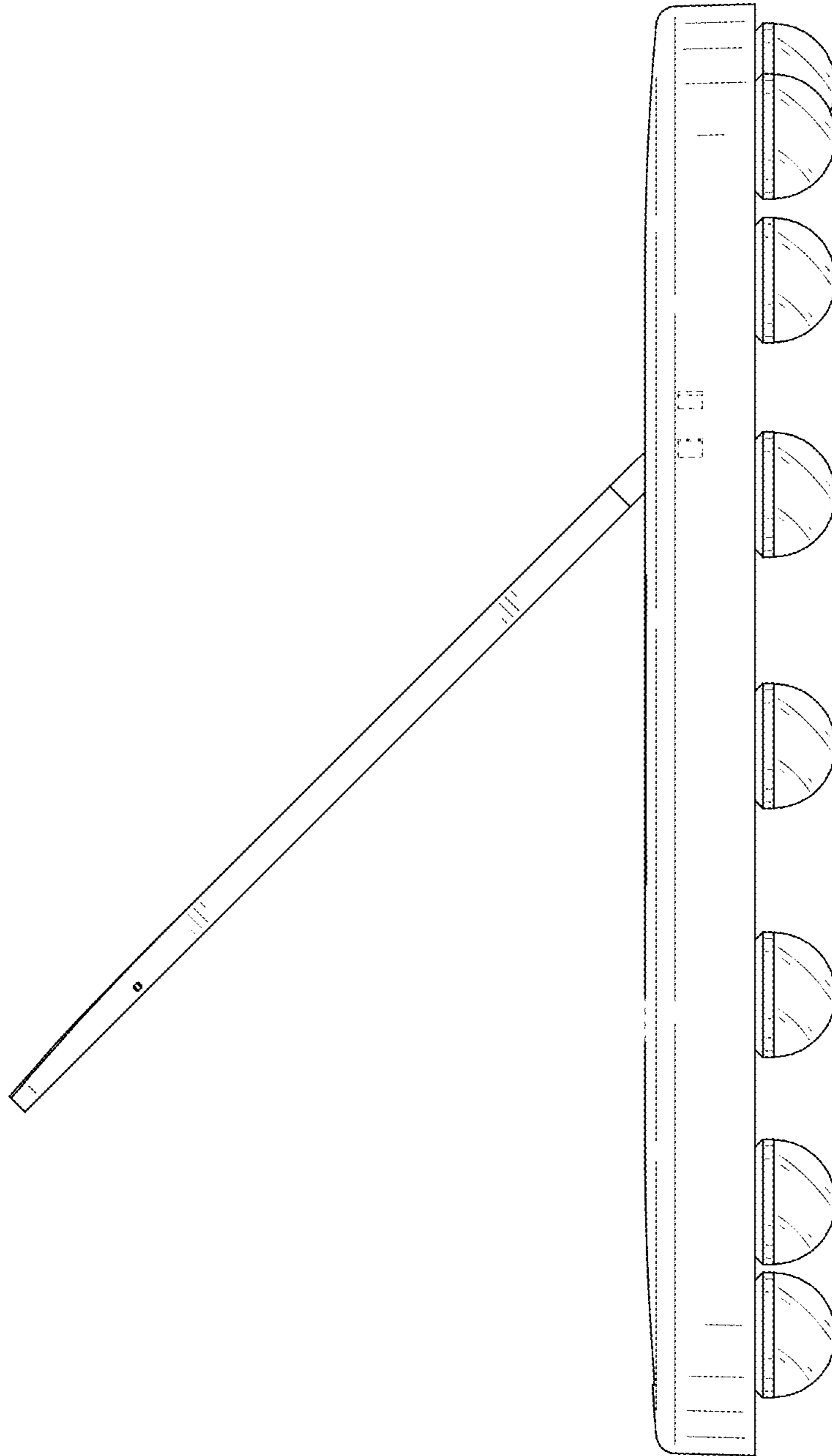


FIG. 32

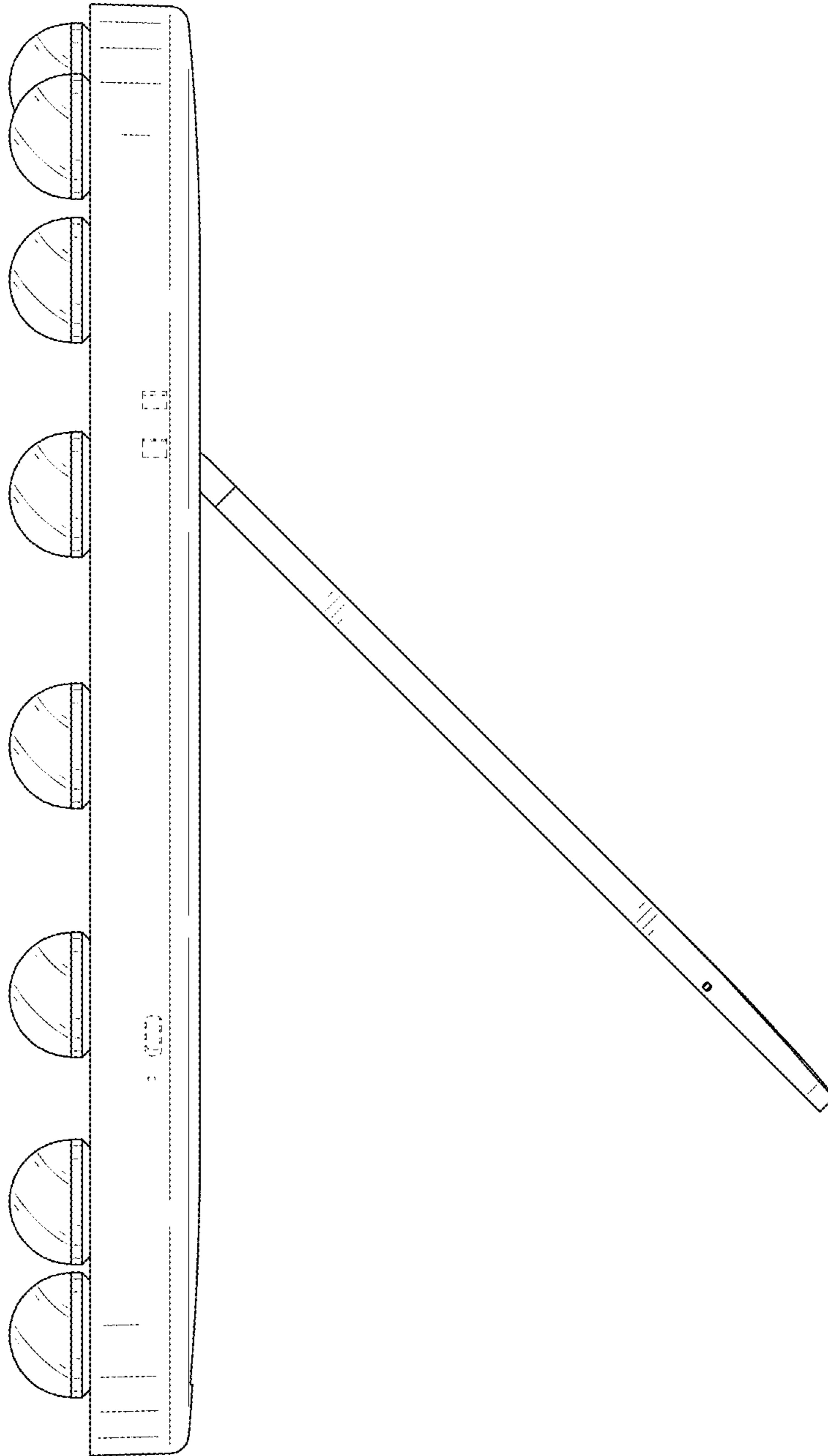


FIG. 33

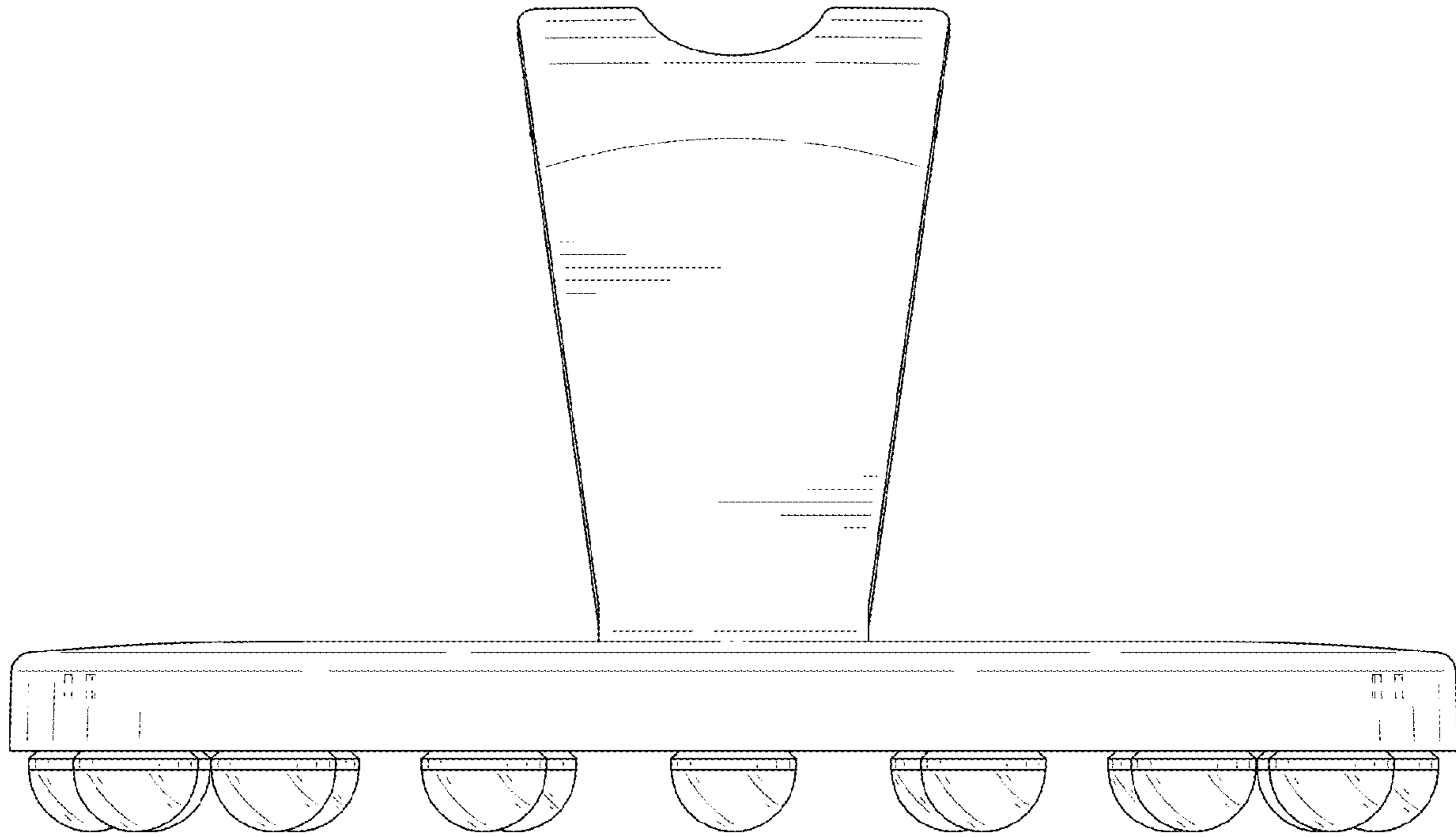


FIG. 34

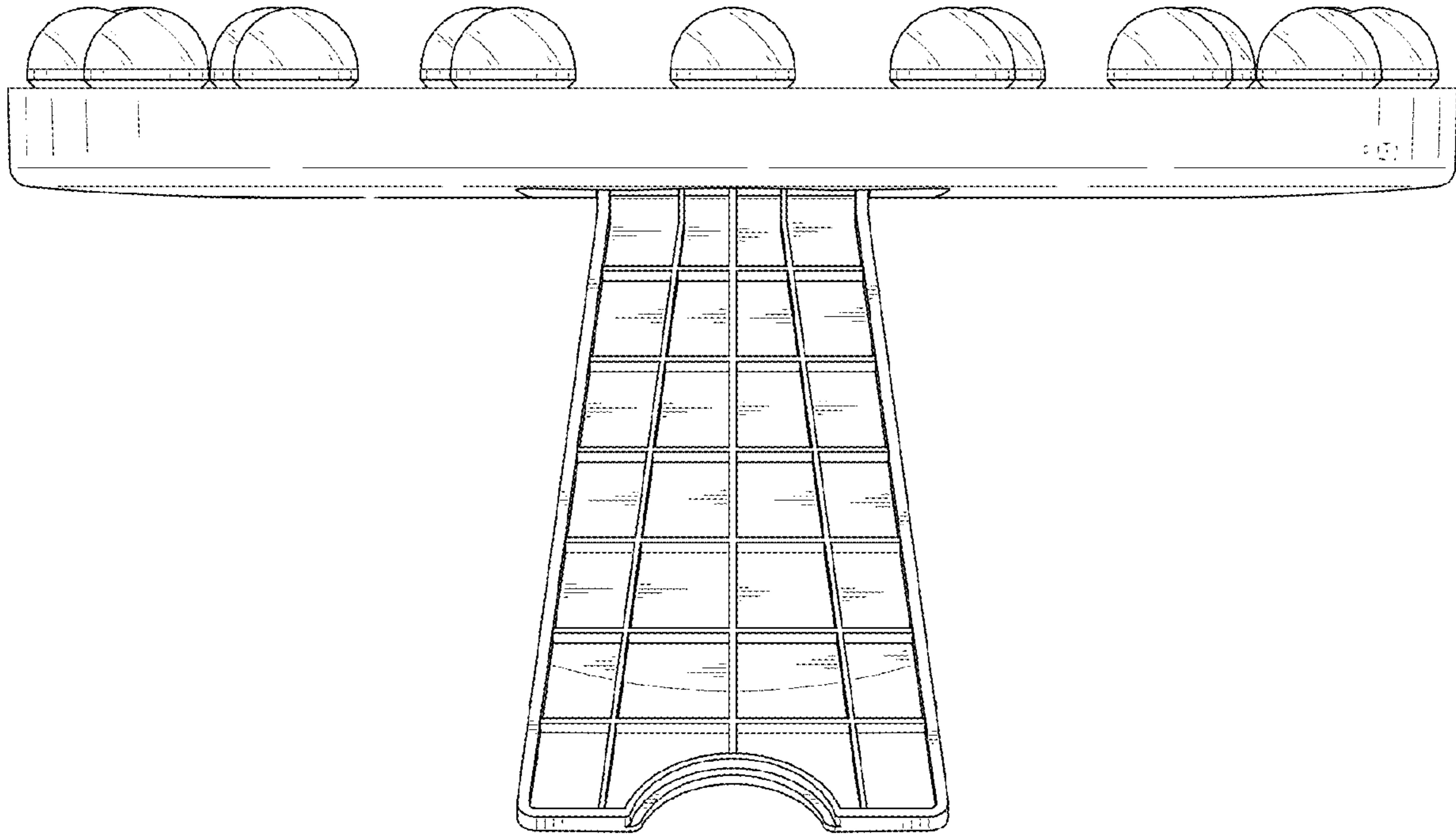


FIG. 35

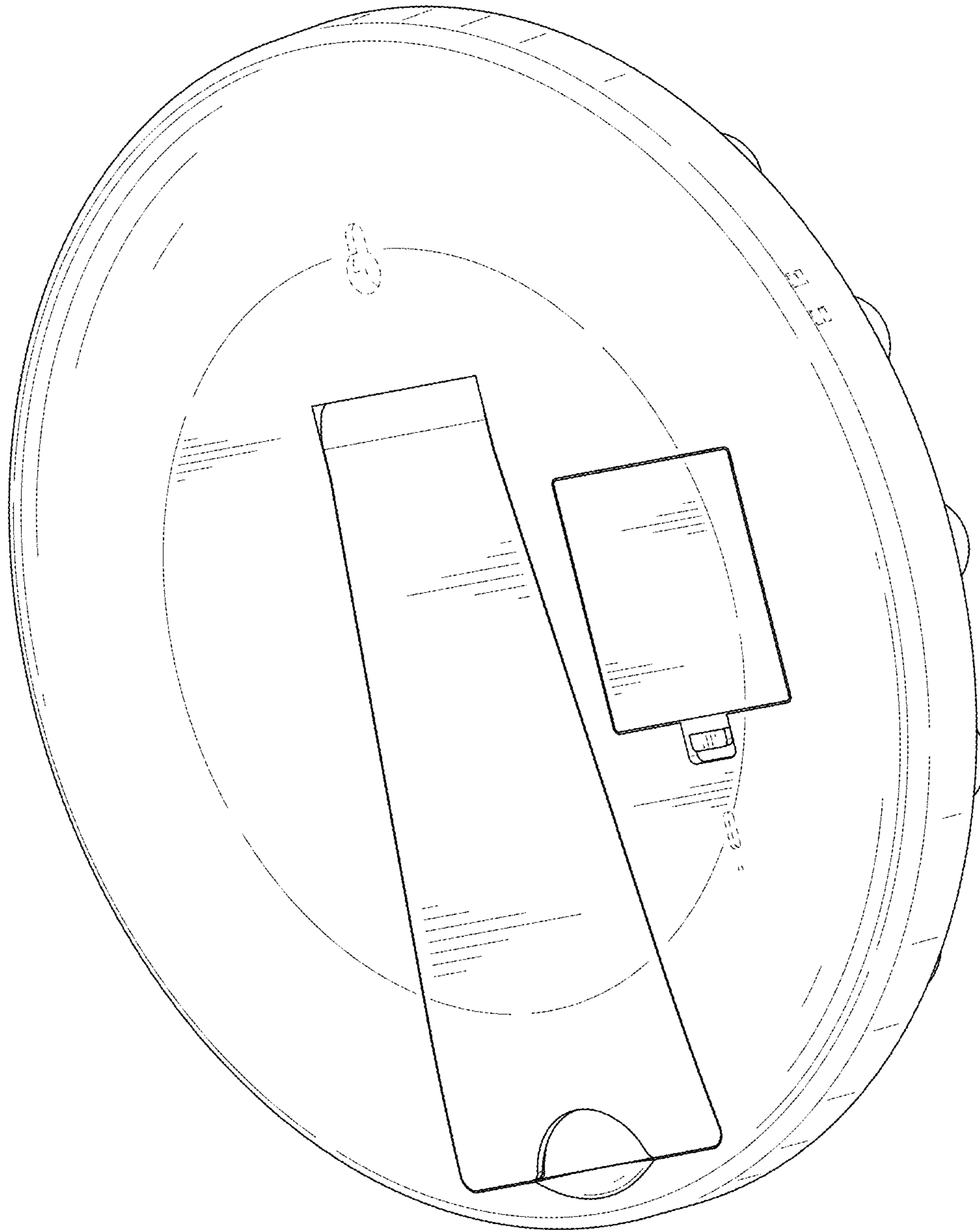


FIG. 36