



US00D959854S

(12) **United States Design Patent** (10) **Patent No.:** **US D959,854 S**  
**Xu** (45) **Date of Patent:** **\*\* Aug. 9, 2022**

(54) **MIRROR**

(71) Applicant: **Yiwu Zhengjin Trading Co., Ltd.**,  
Yiwu (CN)

(72) Inventor: **Yan Xu**, Yiwu (CN)

(73) Assignee: **Yiwu Zhengjin Trading Co., Ltd.**,  
Yiwu (CN)

(\*\*) Term: **15 Years**

(21) Appl. No.: **29/831,599**

(22) Filed: **Mar. 22, 2022**

(51) **LOC (13) Cl.** ..... **06-07**

(52) **U.S. Cl.**  
USPC ..... **D6/300**

(58) **Field of Classification Search**  
USPC ..... D6/300, 301, 302, 303, 304, 307, 308,  
D6/309, 310, 311, 312, 313, 314;  
D28/64.1-64.7  
CPC ..... A45D 42/00; A45D 42/10; A45D 42/16;  
A45D 42/20; A45D 42/24; A47G 1/00;  
A47G 1/02; A47G 1/04; A47G 1/0622;  
B60J 3/0282

See application file for complete search history.

(56) **References Cited**

**U.S. PATENT DOCUMENTS**

- 3,476,464 A \* 11/1969 Clark ..... B60R 1/061  
74/502.1
- D329,949 S \* 10/1992 White ..... D6/300
- 6,565,220 B1 \* 5/2003 Hayward ..... G02B 7/1824  
359/872
- D506,074 S \* 6/2005 Chen ..... D6/300
- D590,018 S \* 4/2009 Nash ..... D19/113
- D625,524 S \* 10/2010 Schwartz ..... D6/300
- D916,470 S 4/2021 Liu

- D918,601 S 5/2021 Liu
- D934,576 S 11/2021 Liu
- D936,513 S \* 11/2021 Haller ..... D6/300
- D953,753 S \* 6/2022 Holzmann ..... D6/300

**FOREIGN PATENT DOCUMENTS**

CN 305636972 \* 3/2020

**OTHER PUBLICATIONS**

Refined Rectangle Wall Mirror [online], [site visited Jun. 13, 2022].  
Available from internet, URL: <<https://www.westelm.com/products/frida-wall-mirror-d10612/>> (Year: 2022).\*

Zenia Swivel Wall Mirror [online], [site visited Jun. 13, 2022].  
Available from internet, URL: <<https://www.made.com/zenia-swivel-wall-mirror-35-x-60cm-matte-black-brushed-brass/>> (Year: 2022).\*

\* cited by examiner

*Primary Examiner* — Cynthia Ramirez

*Assistant Examiner* — Xavier Marti-Santos

(74) *Attorney, Agent, or Firm* — Zhihua Han

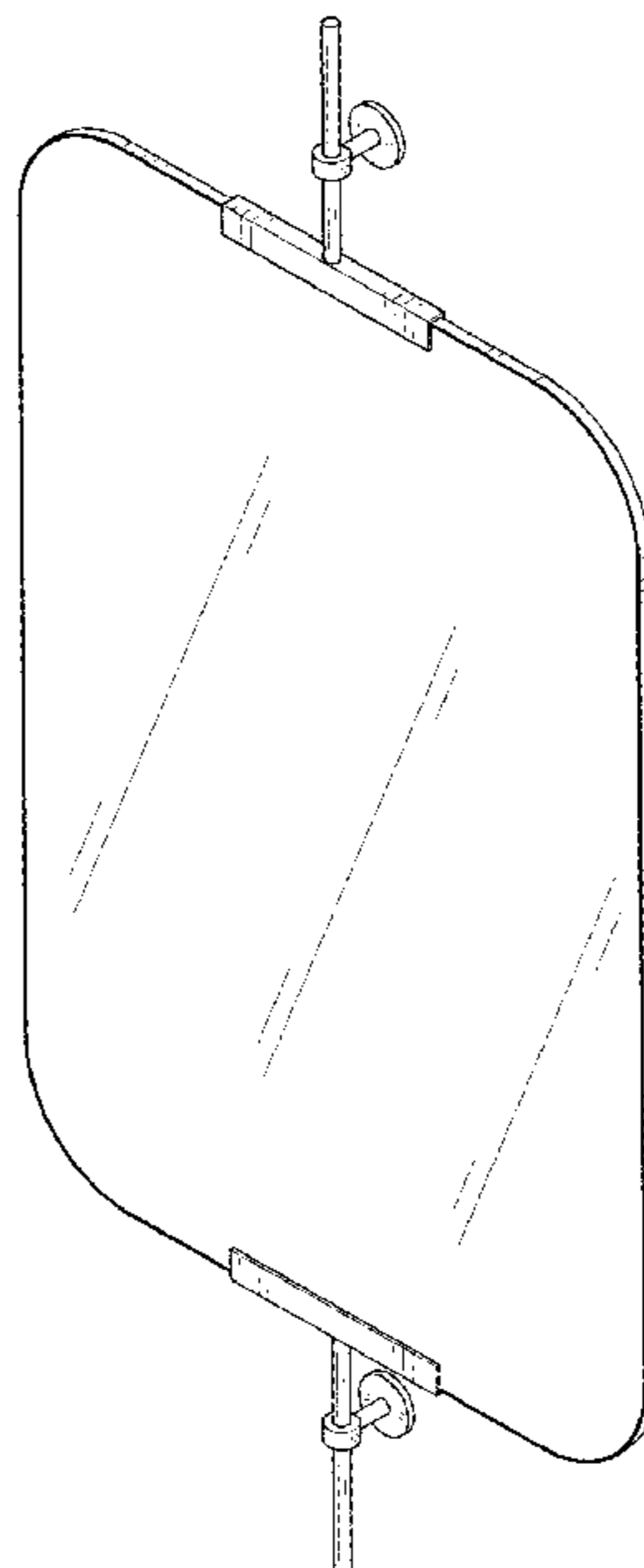
(57) **CLAIM**

The ornamental design for a mirror, as shown and described.

**DESCRIPTION**

FIG. 1 is a first perspective view of a mirror showing my new design;  
FIG. 2 is a second perspective view thereof;  
FIG. 3 is a front view thereof;  
FIG. 4 is a back view thereof;  
FIG. 5 is a left side view thereof;  
FIG. 6 is a right side view thereof;  
FIG. 7 is a top view thereof; and,  
FIG. 8 is a bottom view thereof.  
The broken lines shown in the drawings depict portions of the mirror that form no part of the claimed design.

**1 Claim, 8 Drawing Sheets**



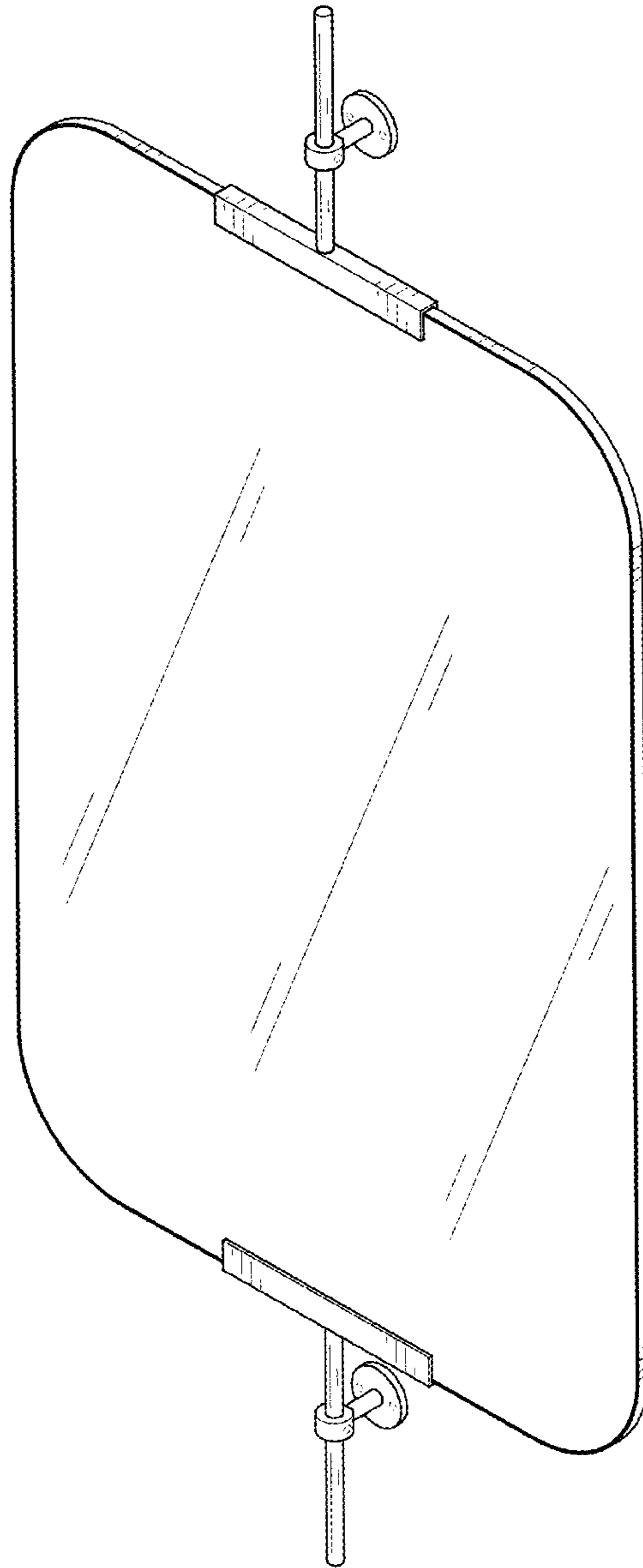


FIG. 1

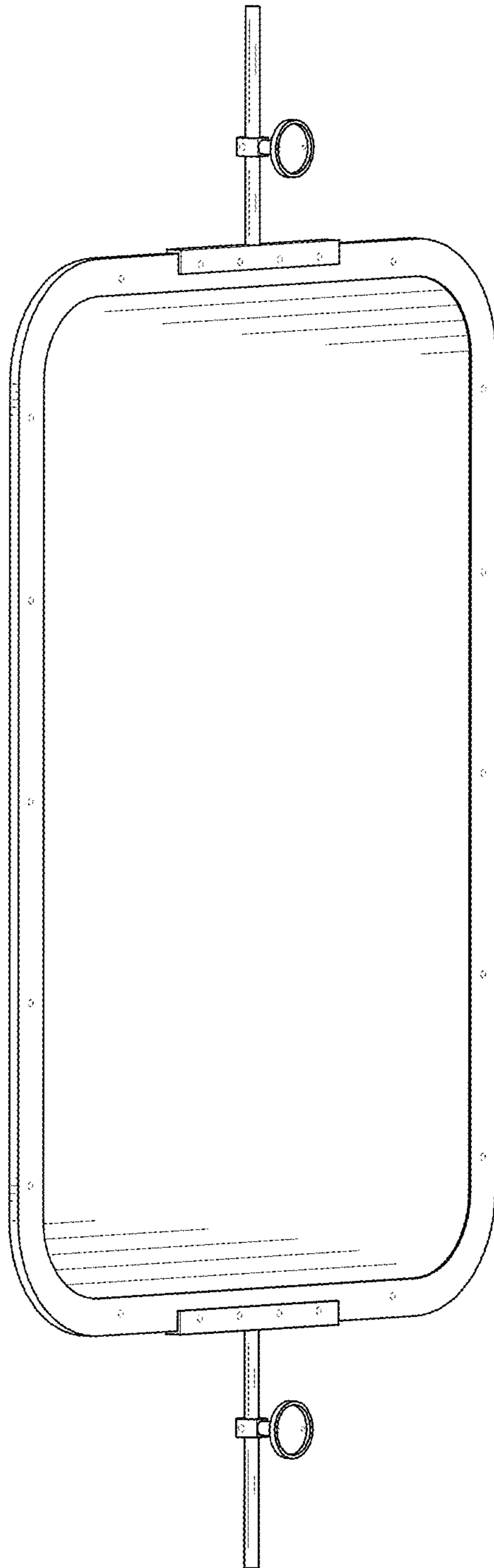


FIG. 2

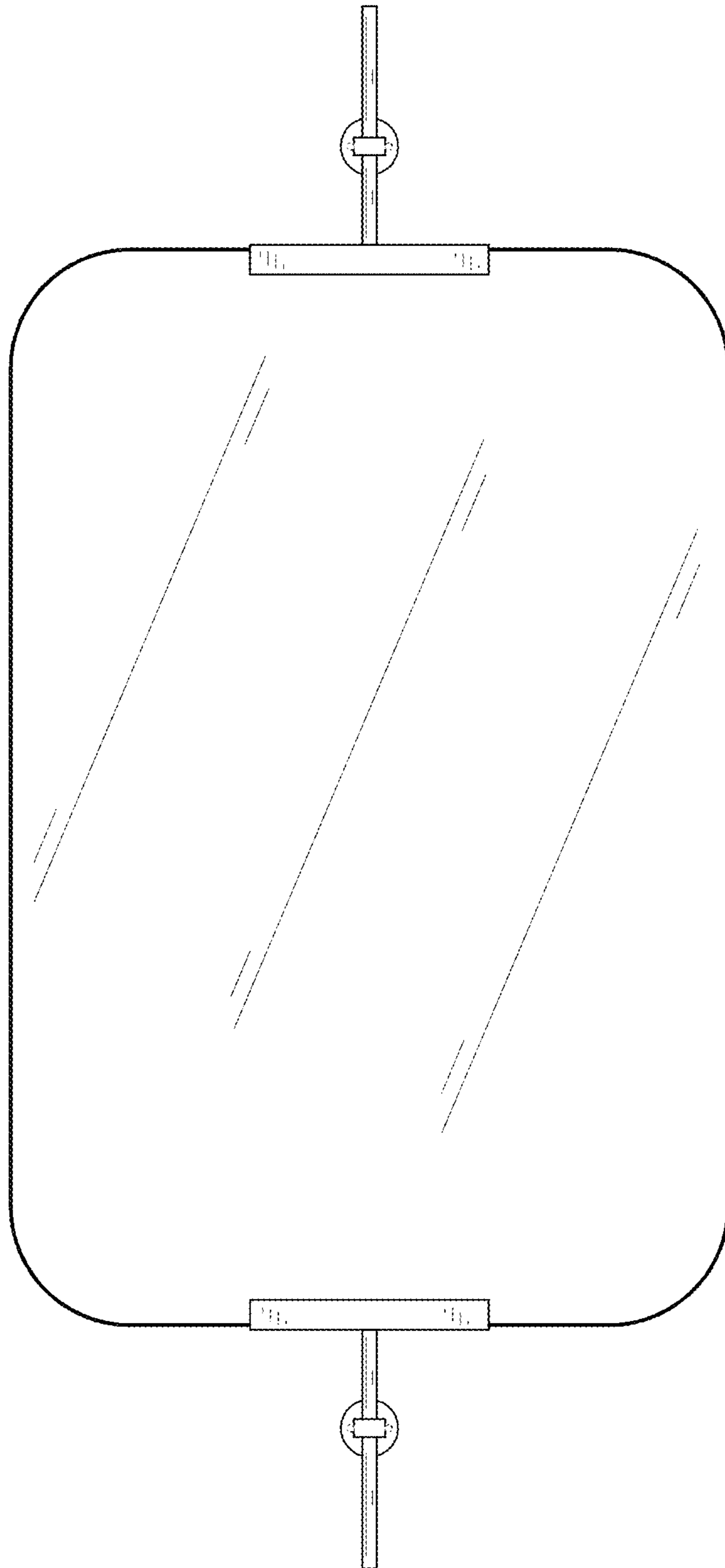


FIG. 3

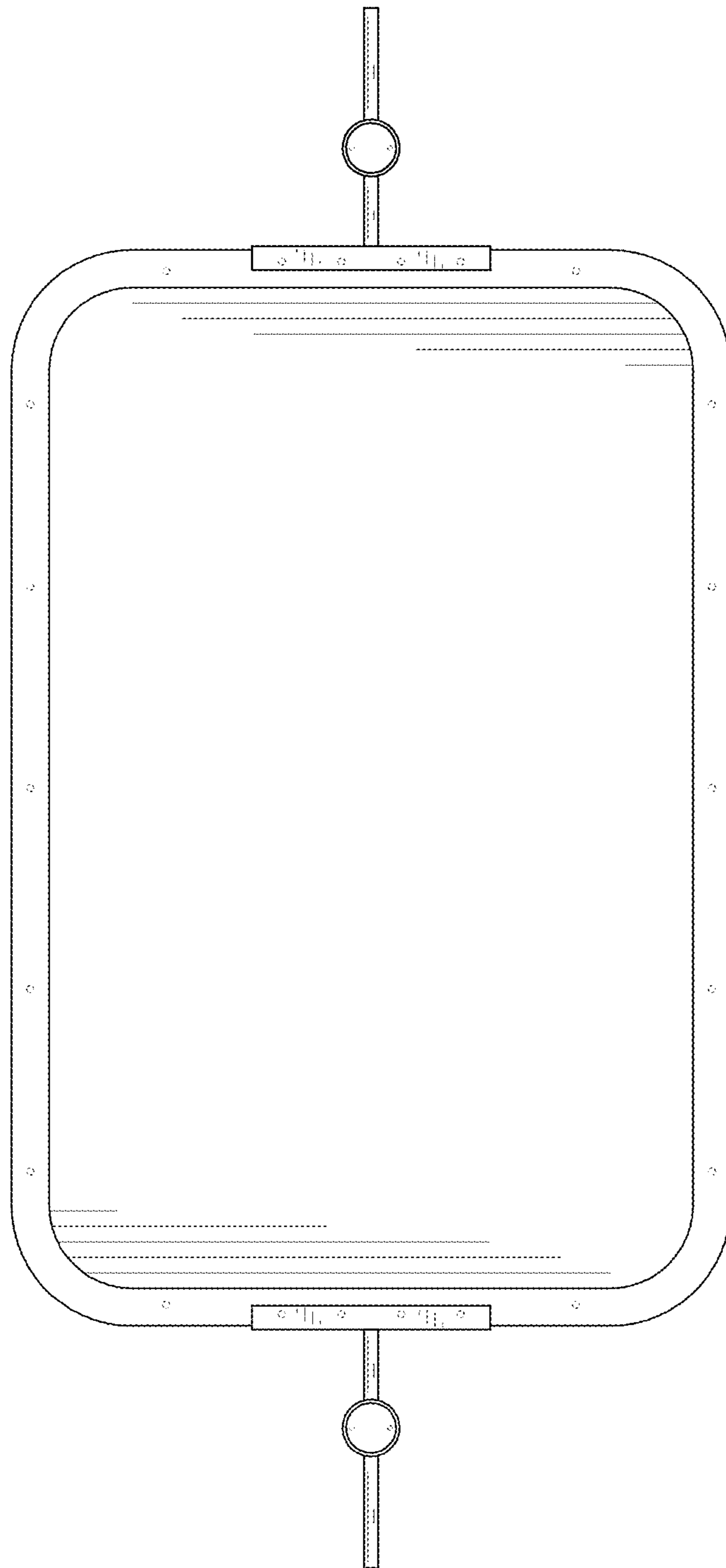


FIG. 4

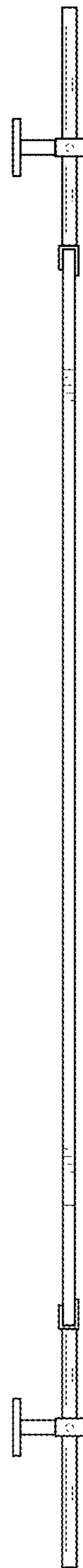


FIG. 5

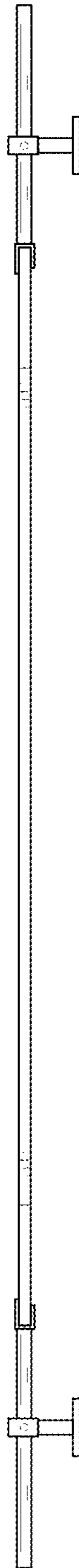


FIG. 6

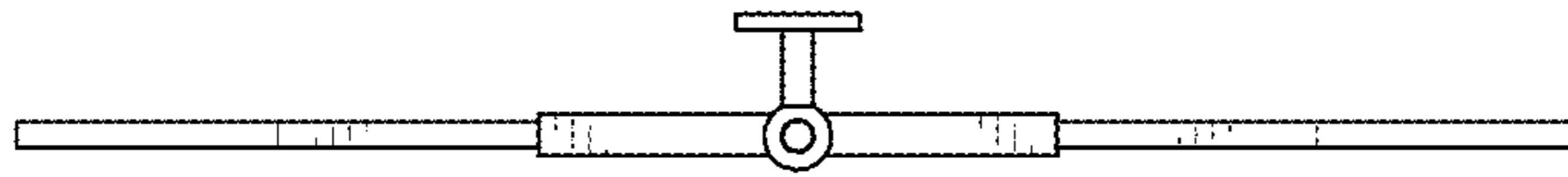


FIG. 7



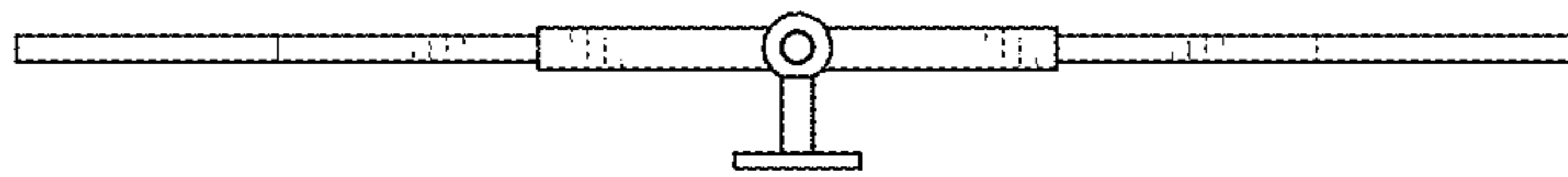


FIG. 8