



US00D959853S

(12) **United States Design Patent** (10) **Patent No.:** **US D959,853 S**  
**Xu** (45) **Date of Patent:** **\*\* Aug. 9, 2022**

(54) **MIRROR**  
(71) Applicant: **Yiwu Zhengjin Trading Co., Ltd.**,  
Yiwu (CN)  
(72) Inventor: **Yan Xu**, Yiwu (CN)  
(73) Assignee: **Yiwu Zhengjin Trading Co., Ltd.**,  
Yiwu (CN)  
(\*\*) Term: **15 Years**  
(21) Appl. No.: **29/831,595**  
(22) Filed: **Mar. 22, 2022**  
(51) **LOC (13) Cl.** ..... **06-07**  
(52) **U.S. Cl.**  
USPC ..... **D6/300**  
(58) **Field of Classification Search**  
USPC ..... D6/300, 301, 302, 303, 304, 307, 308,  
D6/309, 310, 311, 312, 313, 314;  
D28/64.1-64.7  
CPC ..... A45D 42/00; A45D 42/10; A45D 42/16;  
A45D 42/20; A45D 42/24; A47G 1/00;  
A47G 1/02; A47G 1/04; A47G 1/0622;  
B60J 3/0282  
See application file for complete search history.

D590,018 S \* 4/2009 Nash ..... D19/113  
D625,524 S \* 10/2010 Schwartz ..... D6/300  
D881,745 S \* 4/2020 Dionne ..... D11/131  
D916,470 S 4/2021 Liu  
D918,601 S 5/2021 Liu  
D934,576 S 11/2021 Liu  
D953,753 S \* 6/2022 Holzmann ..... D6/300

**OTHER PUBLICATIONS**

Seamless Wall Shelf Mirror [online], [site visited Jun. 13, 2022]. Available from internet, URL: <https://www.westelm.com/products/seamless-mirror-w-shelf-d8665/?pkey=call-mirrors&sku=cm\_src=all-mirrors&cm\_src=reducedClick&isx=0.0> (Year: 2022).\*  
Hamilton Hills Rounded Top Metal Shelf Mirror [online], [site visited Jun. 13, 2022]. Available from internet, URL: <https://www.amazon.ca/Hamilton-Hills-Rounded-Metal-Mirror/dp/B07GR8V563> (Year: 2019).\*

\* cited by examiner

*Primary Examiner* — Cynthia Ramirez  
*Assistant Examiner* — Xavier Marti-Santos  
(74) *Attorney, Agent, or Firm* — Zhihua Han

(57) **CLAIM**

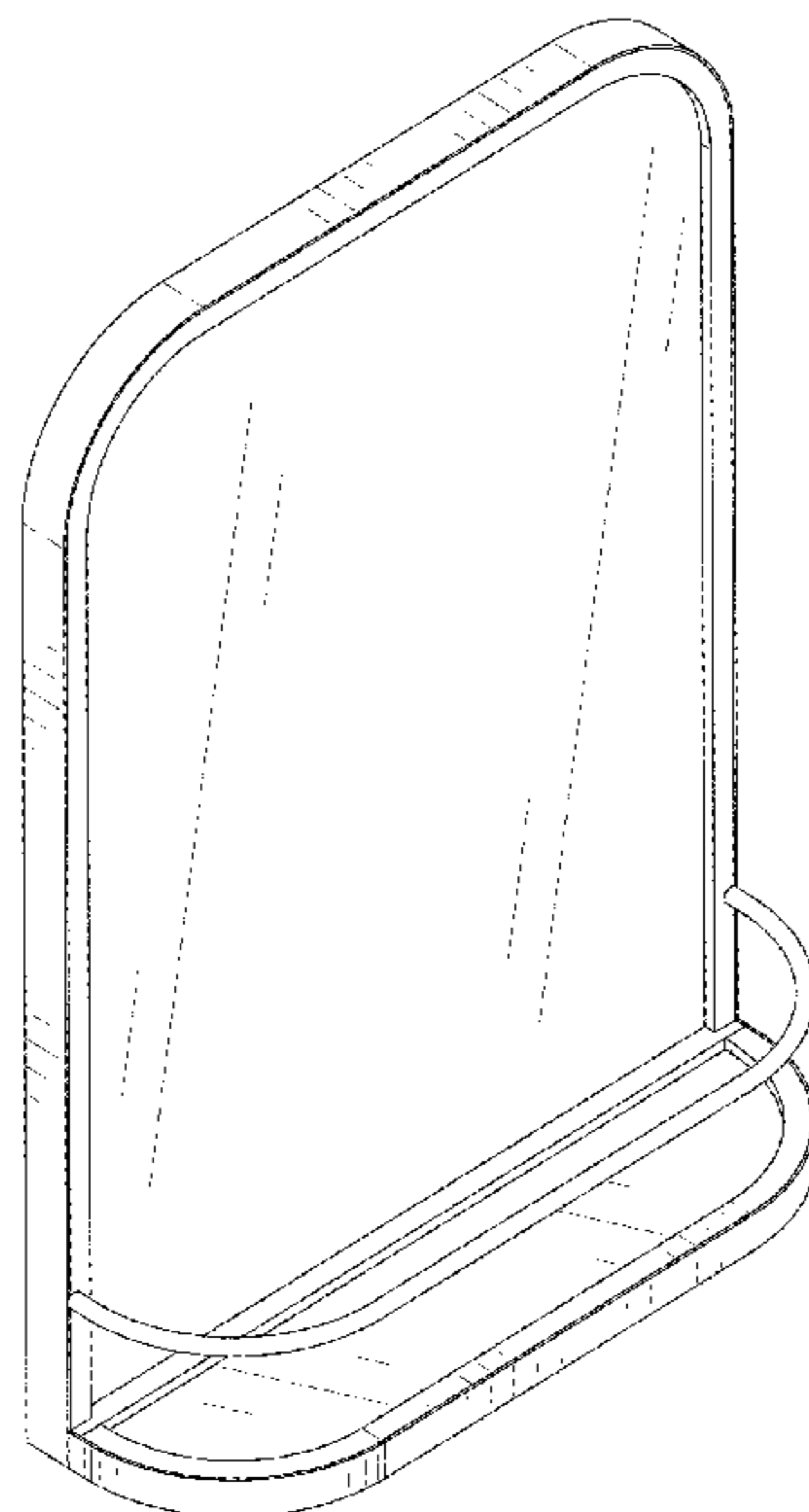
The ornamental design for a mirror, as shown and described.

**DESCRIPTION**

FIG. 1 is a first perspective view of a mirror showing my new design;  
FIG. 2 is a second perspective view thereof;  
FIG. 3 is a front view thereof;  
FIG. 4 is a back view thereof;  
FIG. 5 is a left side view thereof;  
FIG. 6 is a right side view thereof;  
FIG. 7 is a top view thereof; and,  
FIG. 8 is a bottom view thereof.  
The broken lines shown in the drawings depict portions of the mirror that form no part of the claimed design.

**1 Claim, 8 Drawing Sheets**

(56) **References Cited**  
U.S. PATENT DOCUMENTS  
2,282,864 A \* 5/1942 Glenn ..... A47G 1/06  
40/790  
3,373,448 A \* 3/1968 Butler ..... A47K 1/08  
4/605  
D311,821 S \* 11/1990 Rossari ..... D26/56  
D329,949 S \* 10/1992 White ..... D6/300  
D441,546 S \* 5/2001 Harwanko ..... D6/300  
D455,273 S \* 4/2002 Harwanko ..... D6/568  
D491,731 S \* 6/2004 Harwanko ..... D6/568  
D506,074 S \* 6/2005 Chen ..... D6/300  
D522,761 S \* 6/2006 Bruce ..... D6/300



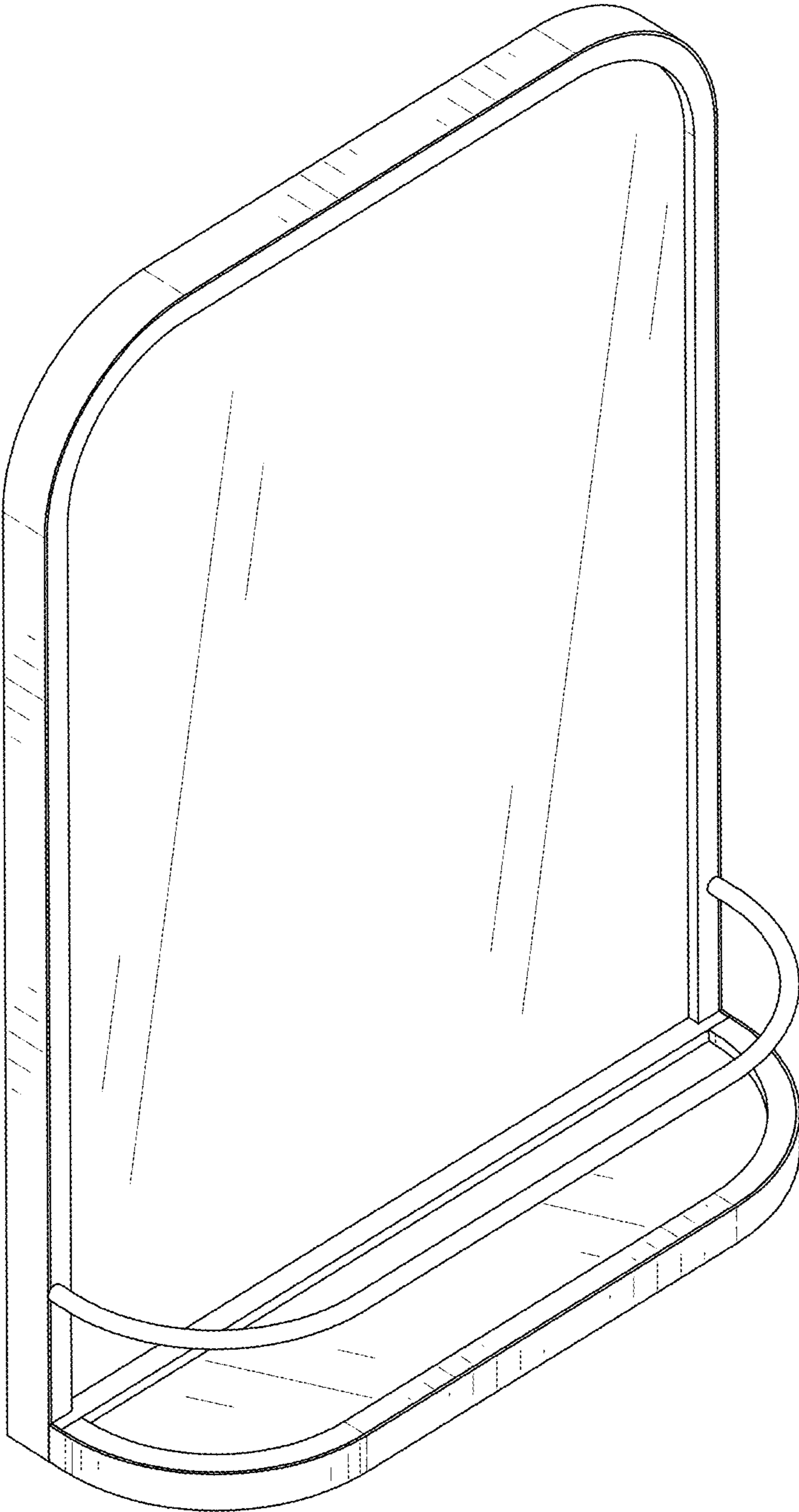


FIG. 1

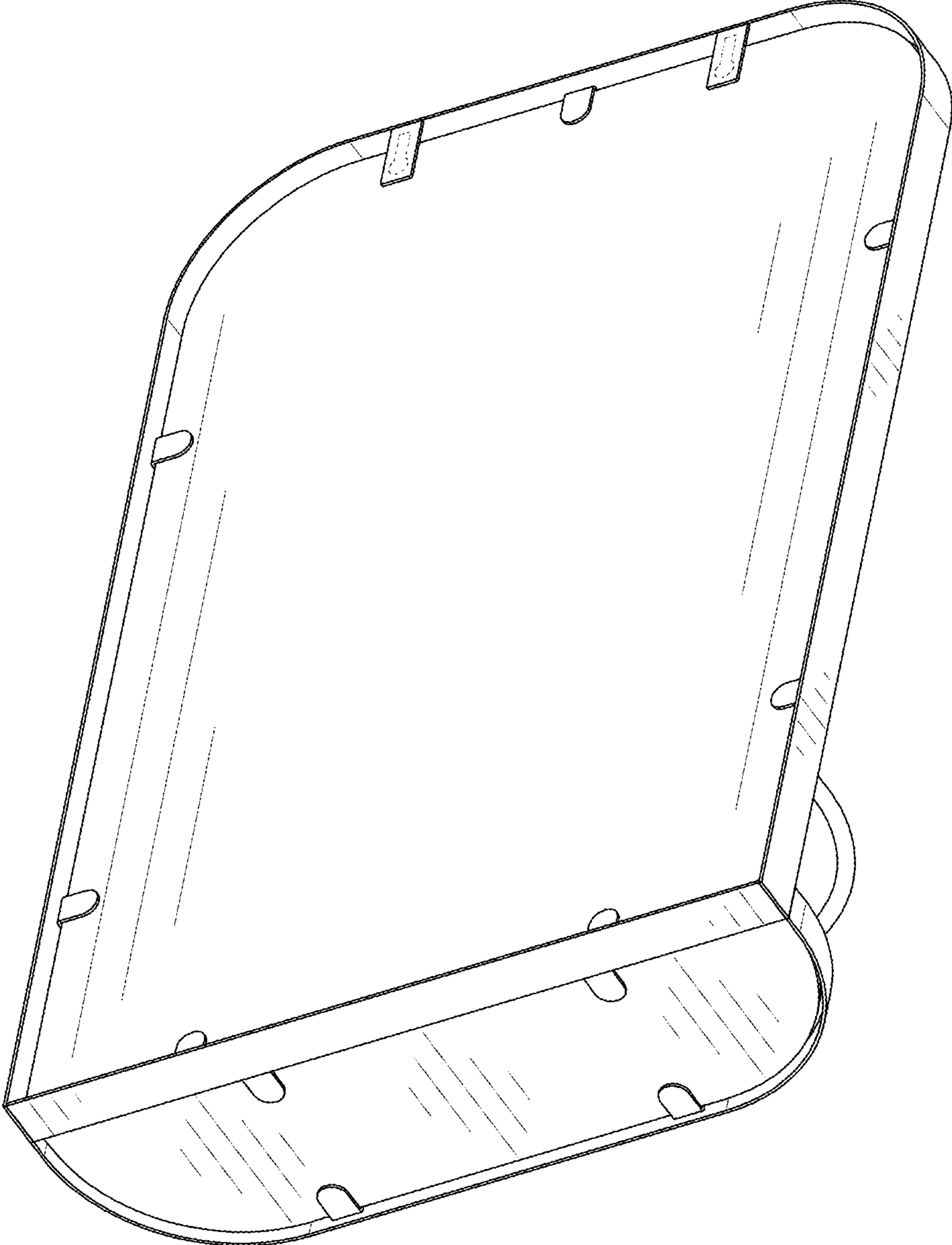


FIG. 2

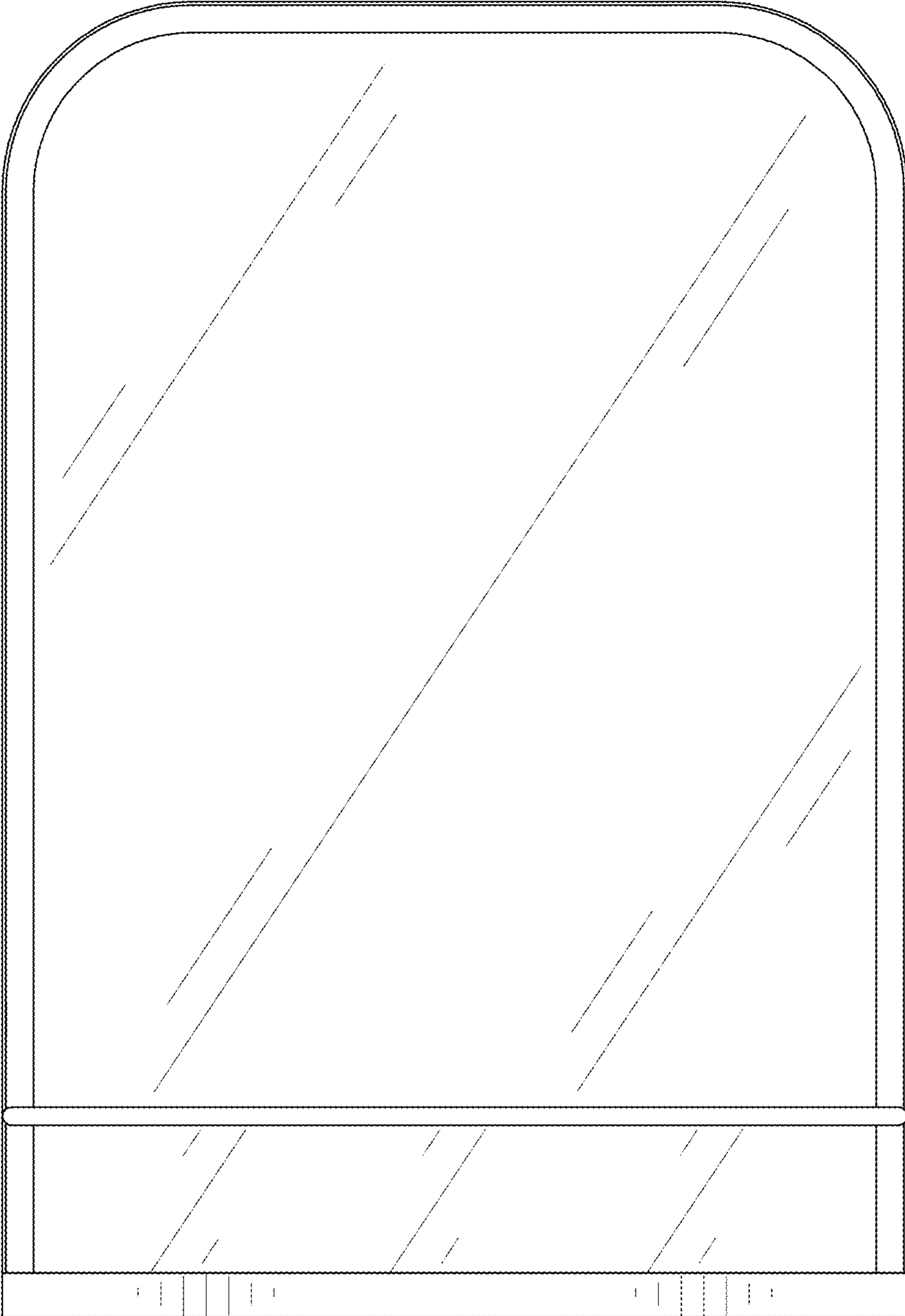


FIG. 3

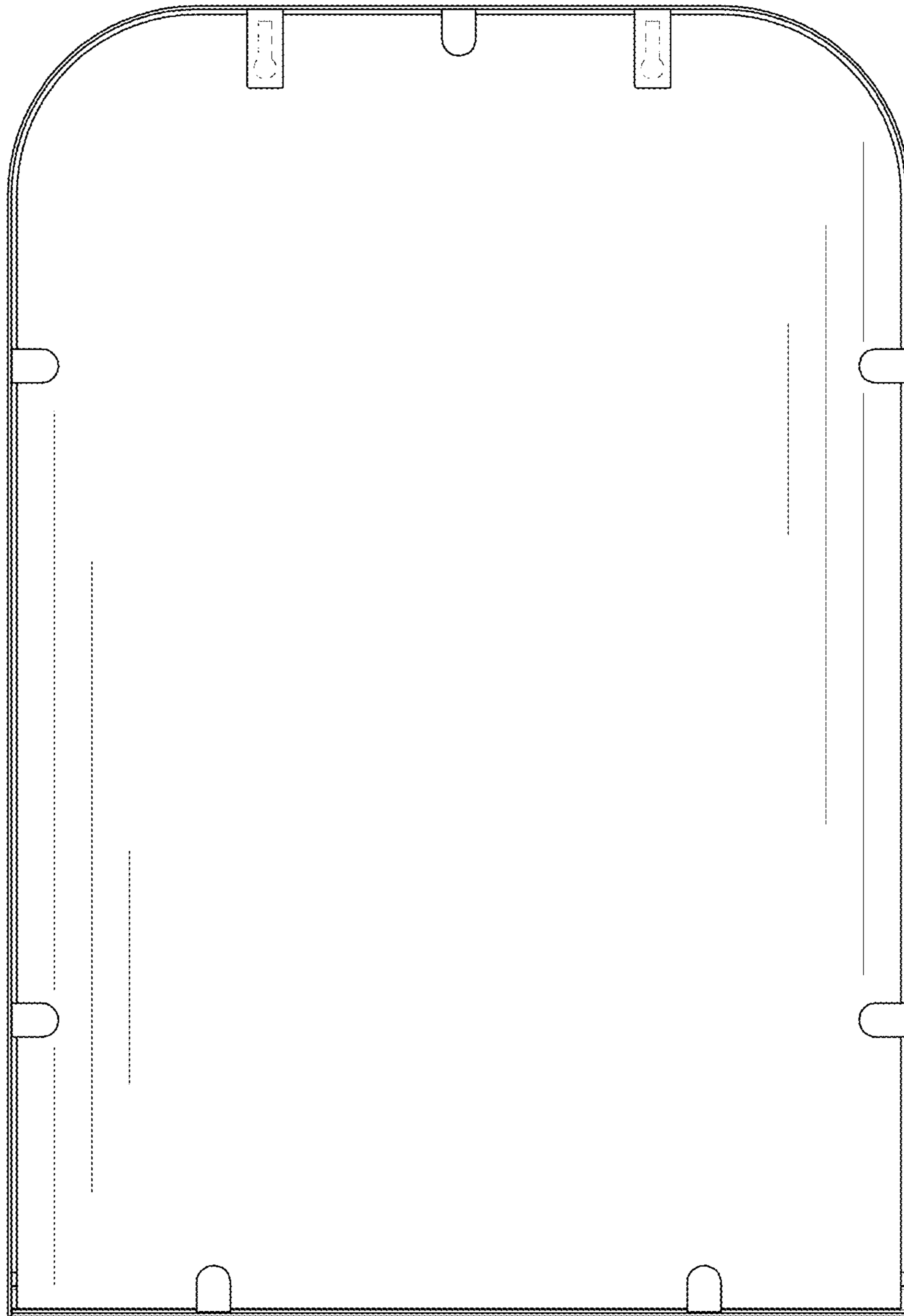


FIG. 4

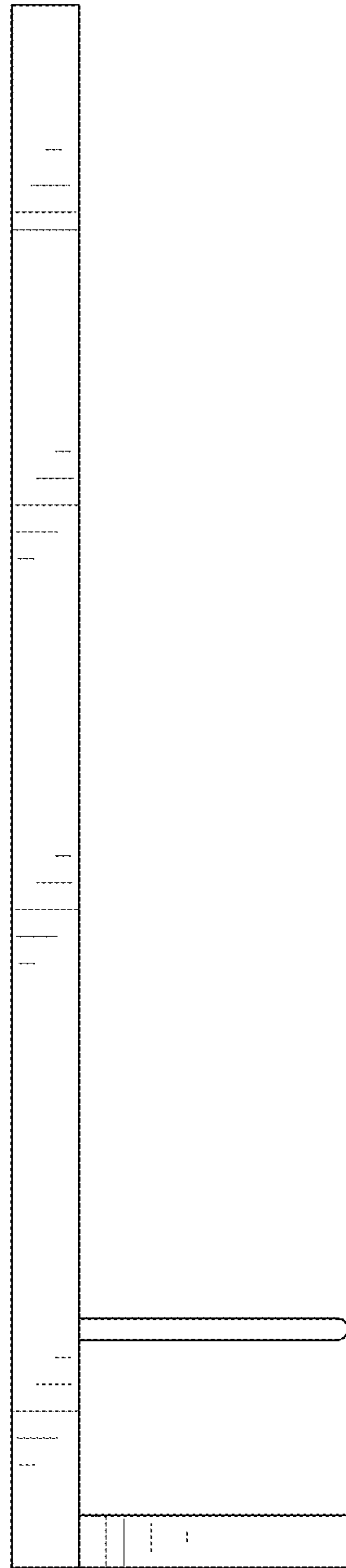


FIG. 5

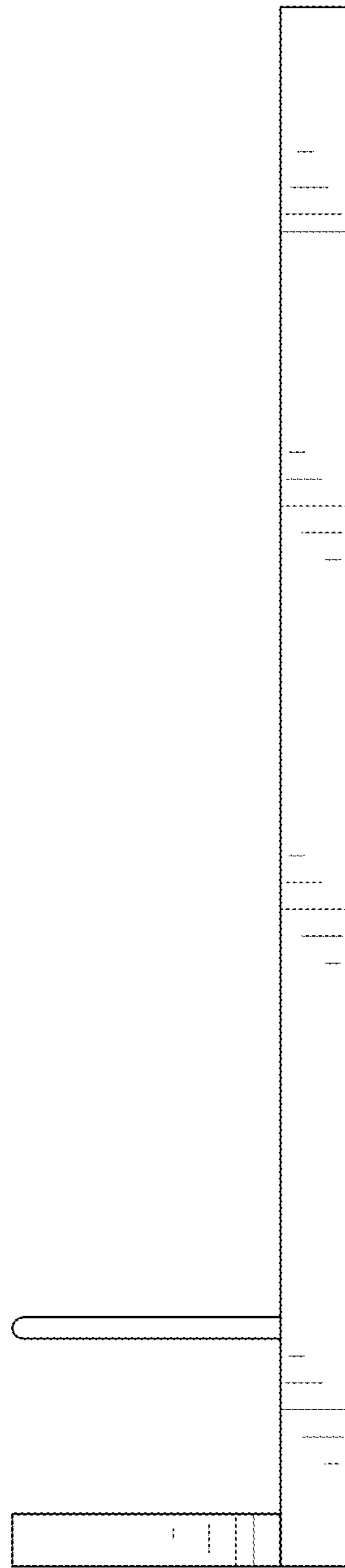


FIG. 6



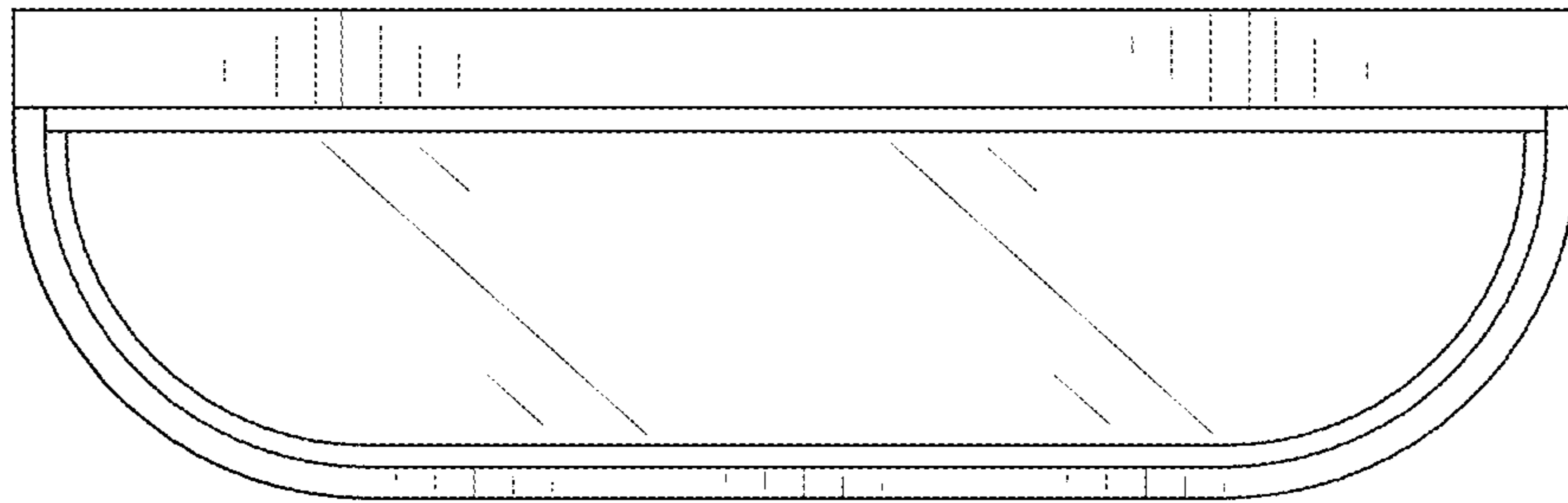


FIG. 7



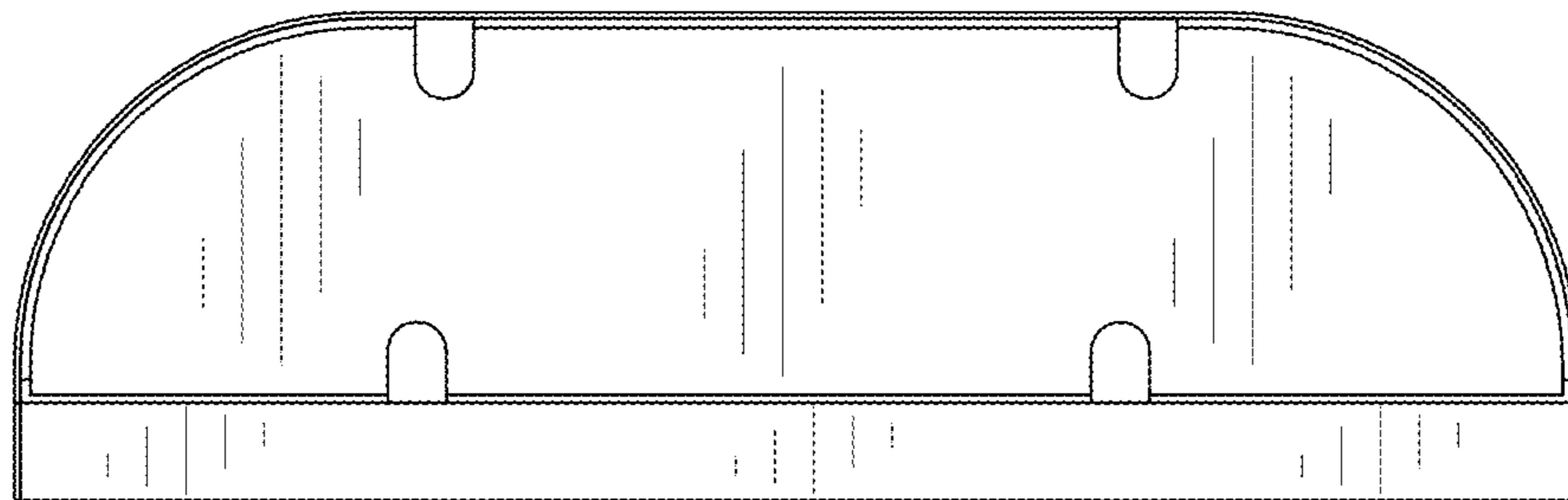


FIG. 8