



US00D959849S

(12) **United States Design Patent** (10) **Patent No.:** **US D959,849 S**
Matsuishi et al. (45) **Date of Patent:** **** Aug. 9, 2022**

(54) **COSMETIC BRUSH**

FOREIGN PATENT DOCUMENTS

(71) Applicants: **Midori Matsuishi**, Tokyo (JP); **Miki Ishida**, Tokyo (JP)

KR 301138670.0000 * 11/2021

(72) Inventors: **Midori Matsuishi**, Tokyo (JP); **Miki Ishida**, Tokyo (JP)

OTHER PUBLICATIONS

(73) Assignee: **SHISEIDO COMPANY, LIMITED**, Tokyo (JP)

Chanel Brush, announced 2022 [online], [site visited May 3, 2022]. Avail from int, URL: <https://www.chanel.com/us/makeup/p/138861/les-pinceaux-de-chanel-retractable-kabuki-brush-n108/> (Year: 2022).*

(Continued)

(**) Term: **15 Years**

Primary Examiner — Cynthia Ramirez

Assistant Examiner — Tamara L Hahn

(21) Appl. No.: **29/772,658**

(74) *Attorney, Agent, or Firm* — Manabu Kanesaka

(22) Filed: **Mar. 3, 2021**

(57) **CLAIM**

(51) **LOC (13) Cl.** **04-99**

The ornamental design for a cosmetic brush, as shown and described.

(52) **U.S. Cl.**

USPC **D4/127**

DESCRIPTION

(58) **Field of Classification Search**

USPC D4/102, 119, 121, 127, 128, 129, 130, D4/131, 132, 133, 134, 136, 137, 199; D28/7, 8; D24/215

CPC A46B 2200/1046; A46B 9/021

See application file for complete search history.

FIG. 1 is a perspective view of a cosmetic brush showing our new design;

FIG. 2 is a top plan view thereof;

FIG. 3 is a front view thereof, a rear view being identical to the front view thereof;

FIG. 4 is a right side view thereof, a left side view being identical to the right side view thereof;

FIG. 5 is a bottom plan view thereof;

FIG. 6 is a perspective view thereof, wherein a lid is open;

FIG. 7 is a top plan view thereof, wherein a lid is open;

FIG. 8 is a front view thereof, wherein a lid is open, a rear view, wherein a lid is open, being identical to the front view thereof; and,

FIG. 9 is a right side view thereof, wherein a lid is open, a left side view, wherein a lid is open, being identical to the right side view thereof.

The broken lines shown in the drawings depict portions of the cosmetic brush that form no part of the claimed design.

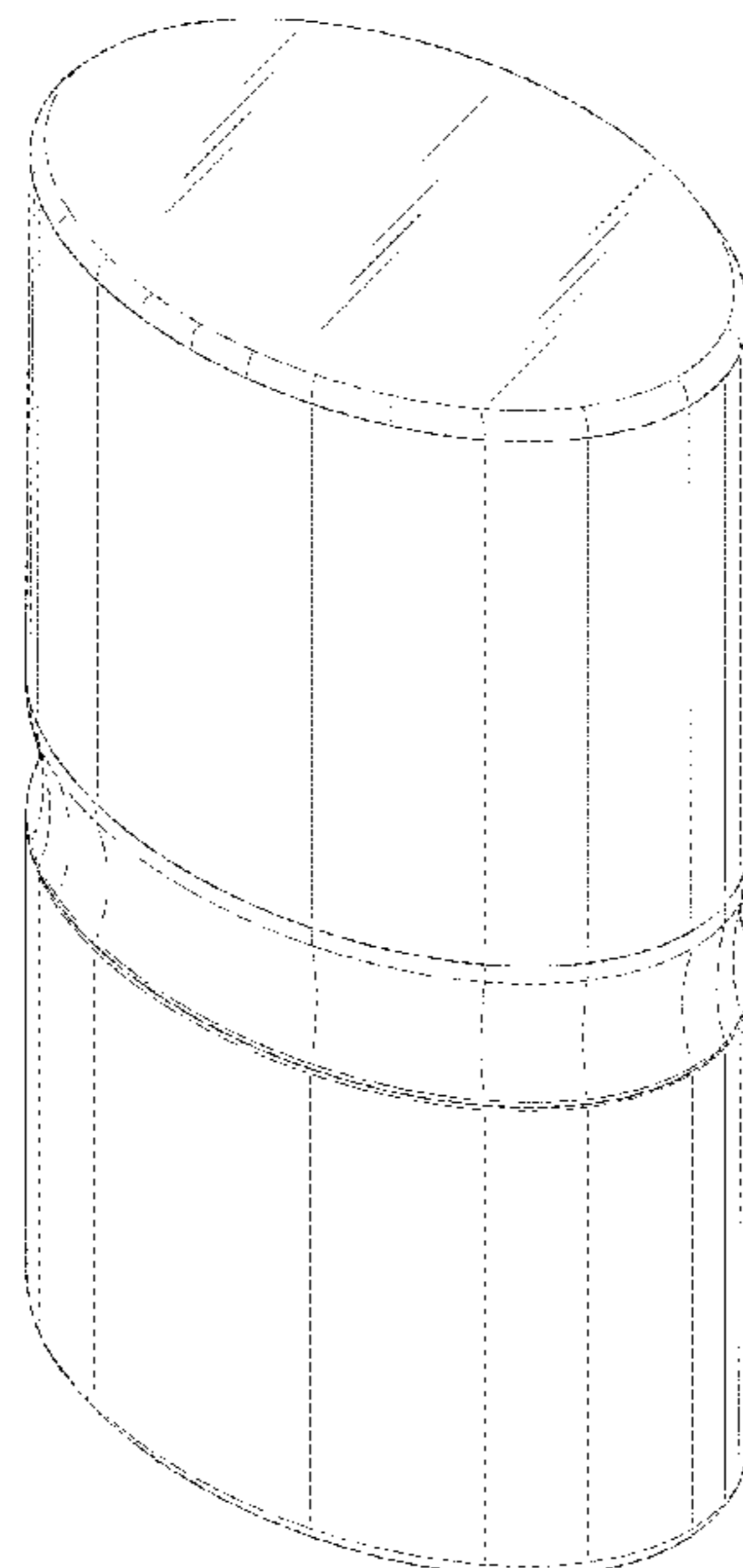
(56) **References Cited**

U.S. PATENT DOCUMENTS

172,509 A * 1/1876 Shepard A01K 13/002
15/186
1,408,951 A * 3/1922 Kern A46B 7/06
119/632
D250,229 S * 11/1978 Werner D28/63
D282,605 S * 2/1986 Mu-Jung D4/131
D285,131 S * 8/1986 Wilkeson D30/158
D315,038 S * 2/1991 Strickler D30/158
D331,639 S * 12/1992 Thompson D28/7
D333,730 S * 3/1993 Martin D30/158
D425,309 S * 5/2000 Granito D4/127

(Continued)

1 Claim, 5 Drawing Sheets



(56)

References Cited

U.S. PATENT DOCUMENTS

6,122,792 A * 9/2000 Roy A46B 5/0062
15/164
6,170,108 B1 * 1/2001 Knight A46B 13/008
601/114
D466,696 S * 12/2002 Van Dyk D4/133
D467,083 S * 12/2002 Chen D4/127
6,499,174 B2 * 12/2002 Henrie A46B 9/02
D4/127
D471,364 S * 3/2003 Kwong D4/120
D494,765 S * 8/2004 Park D4/136
D514,328 S * 2/2006 Huang D4/127
D521,739 S * 5/2006 Huller D4/127
D523,642 S * 6/2006 Hollinger D4/134
D539,546 S * 4/2007 Huller D4/127
D567,509 S * 4/2008 Kao A46B 9/023
D4/135
D587,459 S * 3/2009 Chiang D4/136
D593,331 S * 6/2009 Berhault D4/136
D599,114 S * 9/2009 Hinnant D4/114
D632,087 S * 2/2011 Wang D30/158
D634,127 S * 3/2011 Burgess A46B 9/021
D4/136
D678,683 S * 3/2013 Hammer D4/136
D696,867 S * 1/2014 Jacob D4/128
D700,438 S * 3/2014 Borovicka D4/131
9,038,224 B1 * 5/2015 Esquibel A46B 9/023
15/22.1
D742,121 S * 11/2015 Borovicka D4/131
D743,174 S * 11/2015 von Berg D4/102
D746,062 S * 12/2015 Pan D4/127
D749,327 S * 2/2016 Thierer D4/128
D752,878 S * 4/2016 Jacob D4/128
D757,443 S * 5/2016 Waitesmith D4/127
D770,777 S * 11/2016 Weeks D4/115
D776,439 S * 1/2017 Schreiber D4/128
D787,194 S * 5/2017 Hwang A46B 5/02
D4/127
D789,695 S * 6/2017 Jain D4/127
D791,488 S * 7/2017 Jain D4/127
D802,937 S * 11/2017 Nicoline D4/135
D816,343 S * 5/2018 Tai D4/100
D823,605 S * 7/2018 Nicoline D4/127
D825,193 S * 8/2018 Nicoline D4/135
D825,932 S * 8/2018 Jun D4/128

D829,006 S * 9/2018 Richards A46B 5/02
D4/138
D841,988 S * 3/2019 Tanaka D4/128
D850,799 S * 6/2019 Johnson D30/158
D875,406 S * 2/2020 Dixon D4/129
D897,688 S * 10/2020 Li D4/136
D898,376 S * 10/2020 Johnson D4/134
D903,331 S * 12/2020 Watson D4/134
D903,334 S * 12/2020 Walsh D4/134
D906,691 S * 1/2021 Shi D4/130
D912,993 S * 3/2021 Hasegawa D4/128
D913,702 S * 3/2021 O'Brien D4/127
D915,078 S * 4/2021 Tang D4/136
D922,776 S * 6/2021 Soutelo Gomes D4/127
D926,476 S * 8/2021 Odunsi D4/136
D928,407 S * 8/2021 Qi D28/63
D935,788 S * 11/2021 Abrams D4/128
D938,736 S * 12/2021 De Bardonneche D4/134
D941,585 S * 1/2022 Gonzalez D28/7
D947,543 S * 4/2022 Fan D4/134
D949,431 S * 4/2022 Park D4/136
2003/0066151 A1 * 4/2003 Chang A46B 7/023
15/184
2003/0161675 A1 * 8/2003 Lee A45D 33/02
401/200
2007/0144451 A1 * 6/2007 Hurwitz A01K 13/003
119/603
2010/0236004 A1 * 9/2010 Xu A46B 15/00
15/160
2017/0251798 A1 * 9/2017 Barozzi A46B 3/10
2018/0206622 A1 * 7/2018 Wilson A46B 7/044
2018/0368363 A1 * 12/2018 Johnson A01K 13/002
2022/0022634 A1 * 1/2022 Rybacek A46B 5/0095

OTHER PUBLICATIONS

Fenty Brush, announced 2021 [online], [site visited May 3, 2022].
Avail from int, URL: <https://fentybeauty.com/products/baby-buki-brush-165> (Year: 2021).*

Ebay Brush, announced 2022 [online], [site visited May 3, 2022].
Avail from int, URL: <https://www.ebay.com/itm/165207361644?chn=ps&mkevt=1&mkcid=28&var=464763339029> (Year: 2022).*

Walmart Brush, announced 2022 [online], [site visited May 3, 2022].
Avail from int, URL: <https://www.walmart.com/ip/ociviesr-Convenient-Retractable-Makeup-Brush-One-Large-Powder-Blush-Brush-With-Lid/410531543> (Year: 2022).*

* cited by examiner

Fig.2

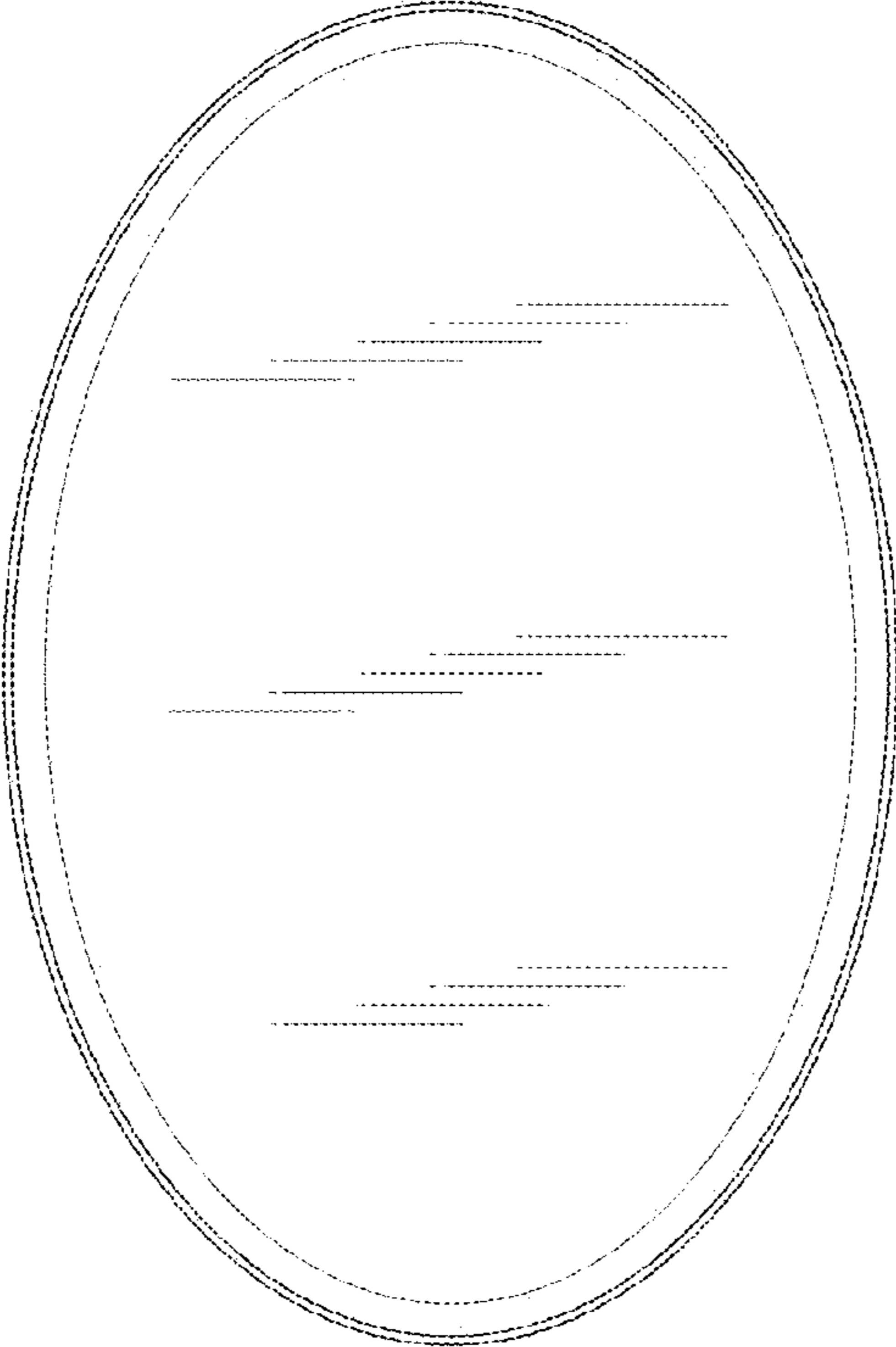
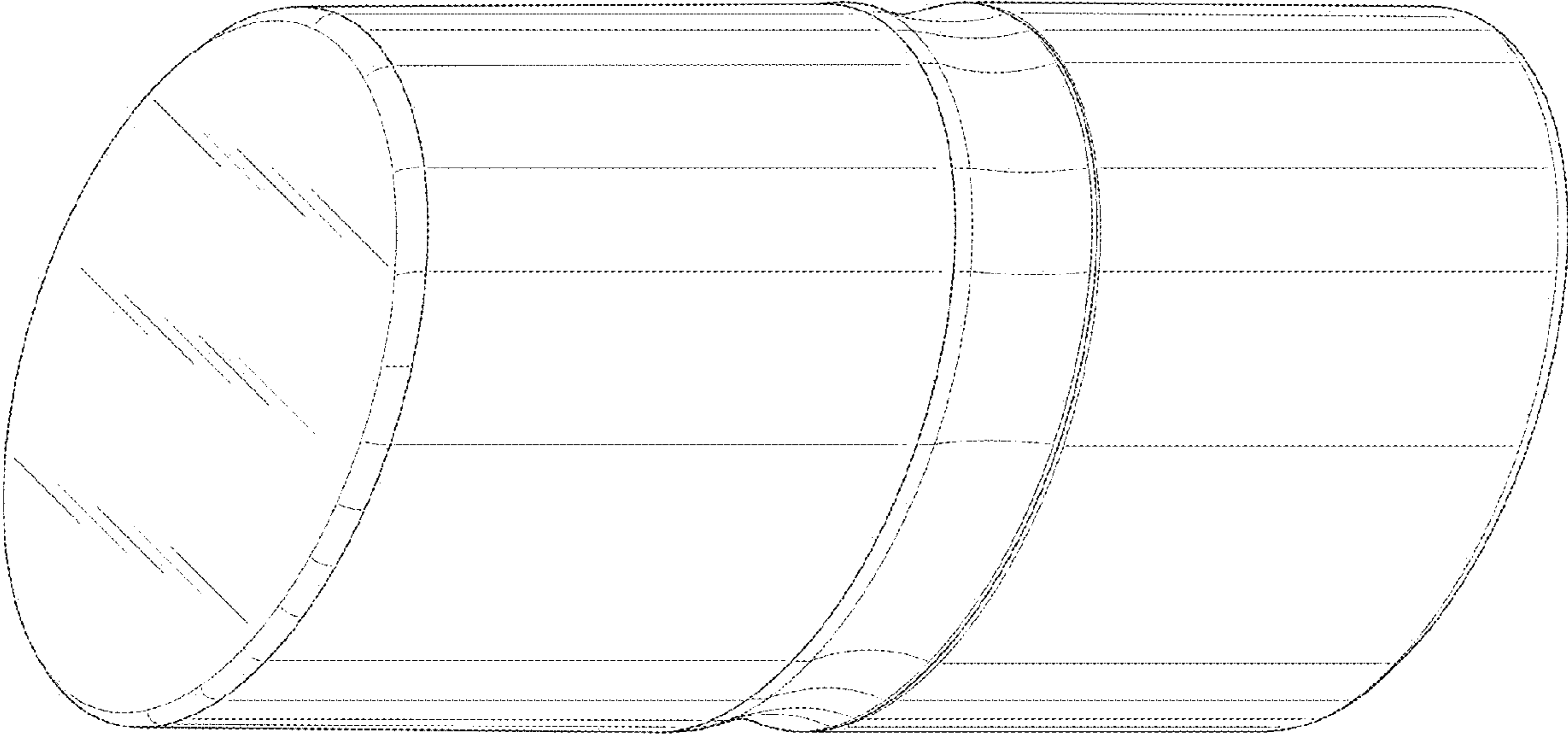


Fig.1



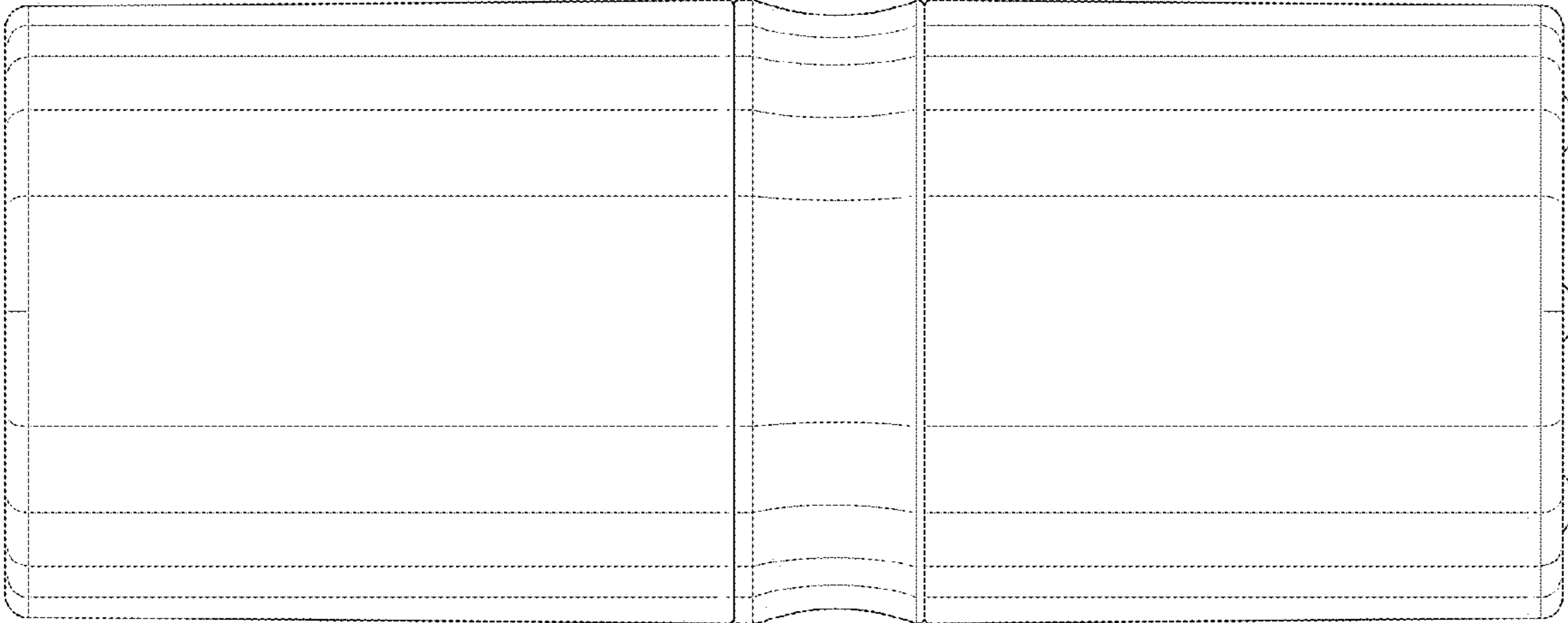


Fig.4

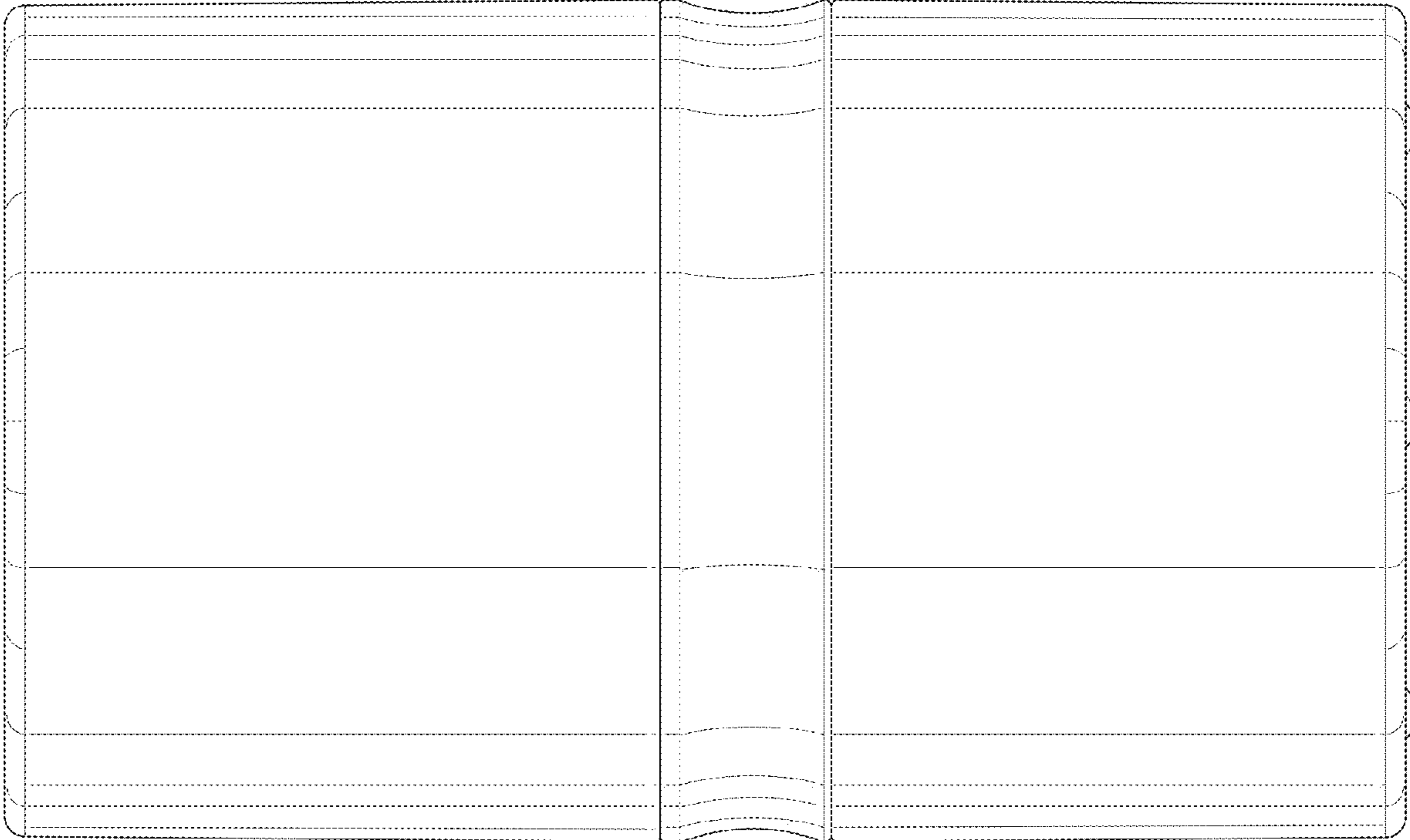


Fig.3

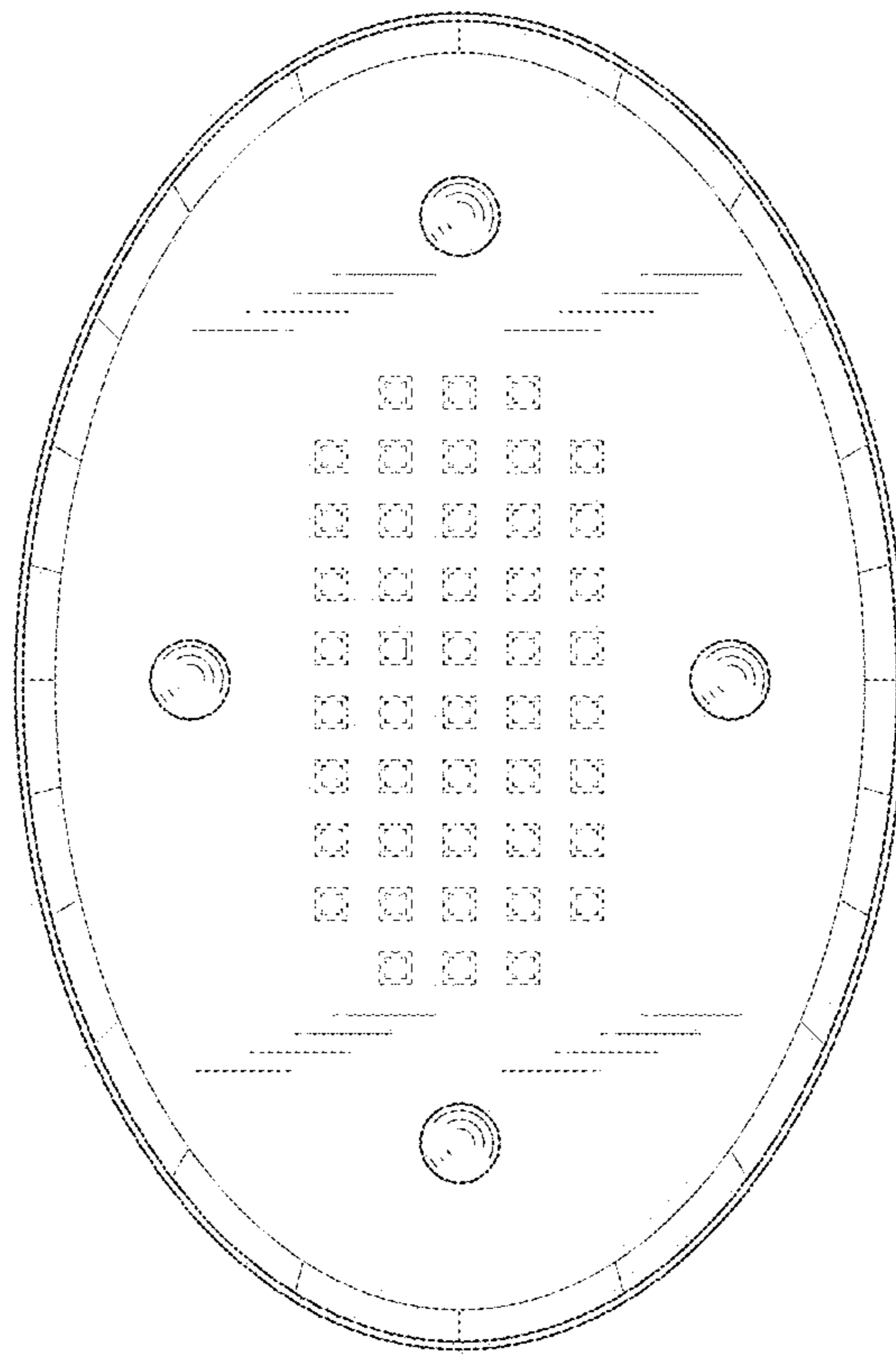


Fig.5

Fig.7

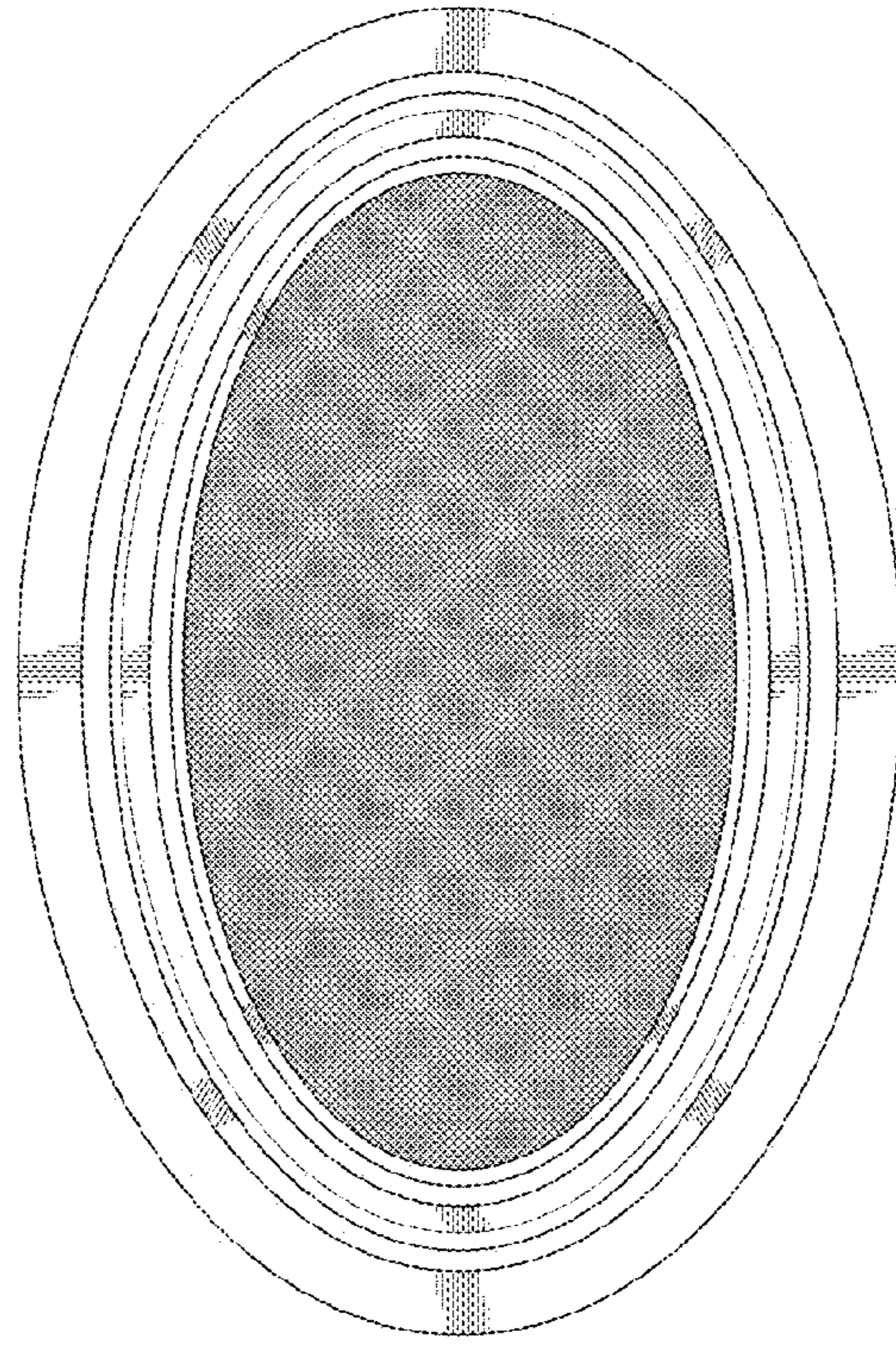
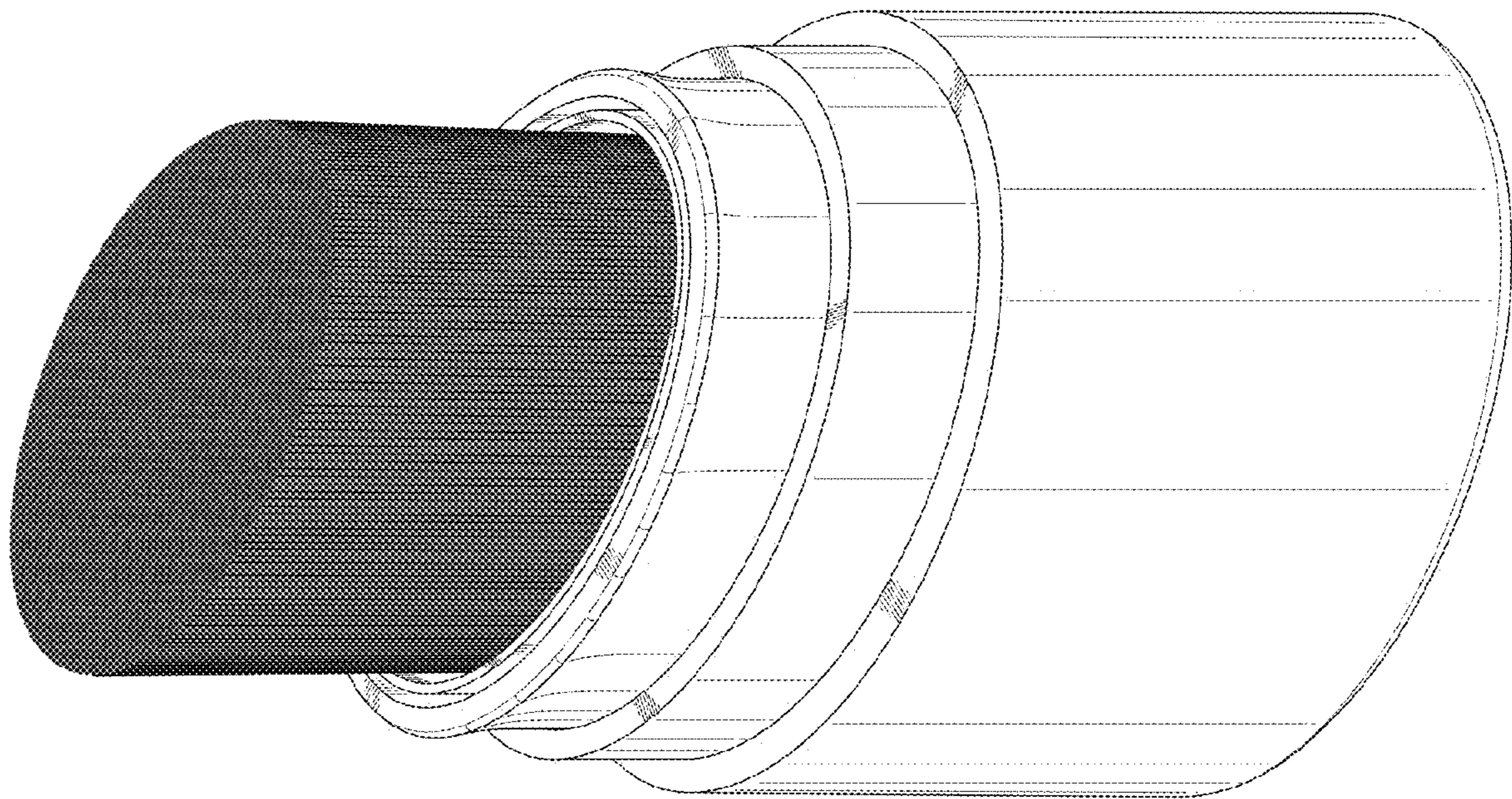


Fig.6



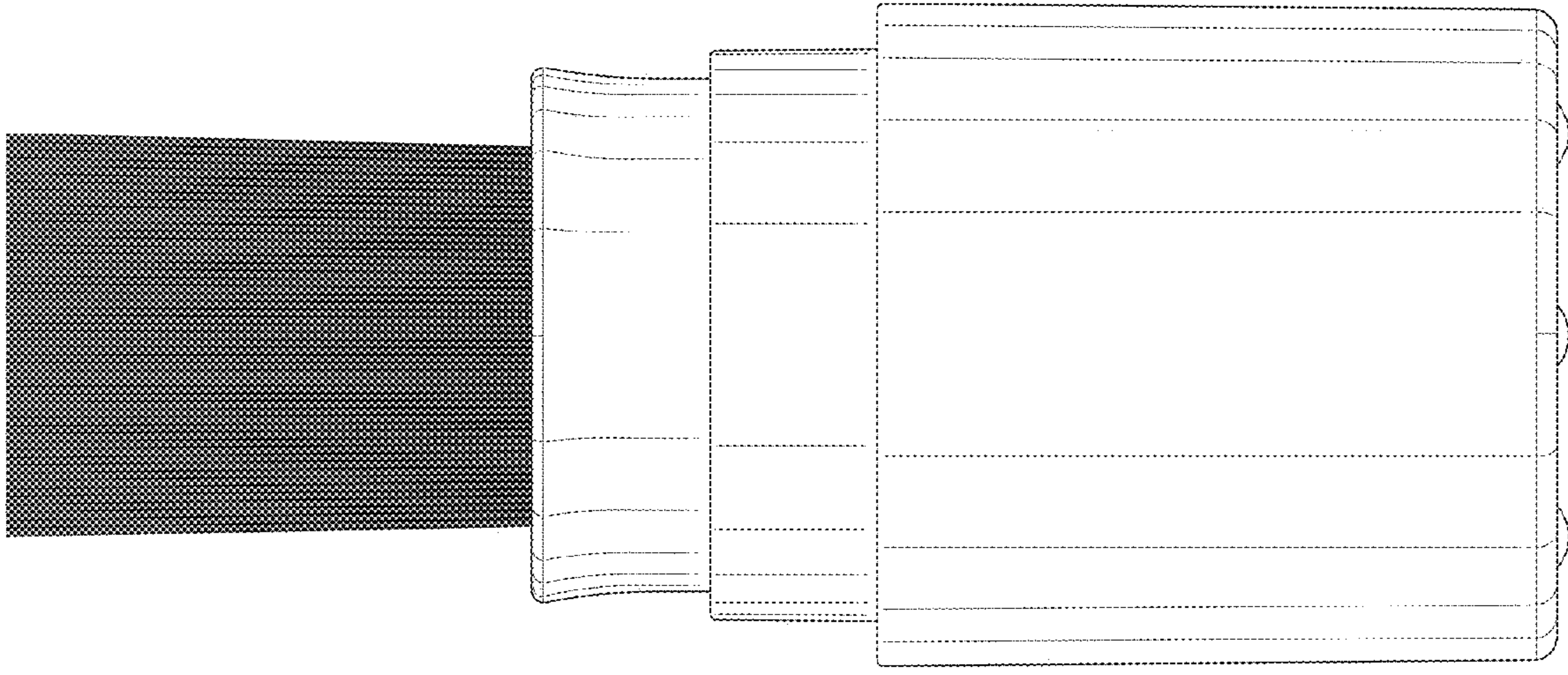


Fig.9

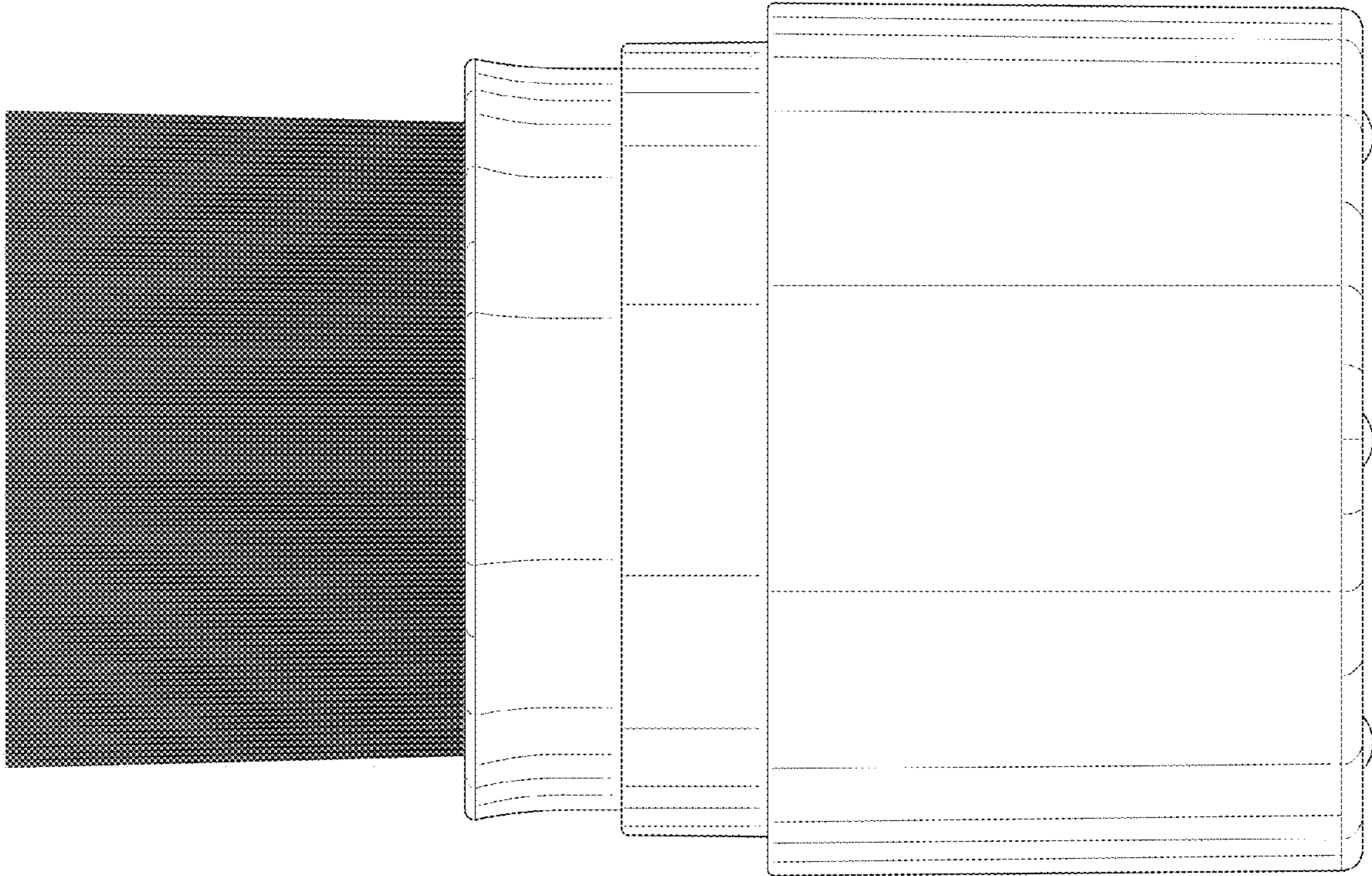


Fig.8