



US00D959848S

(12) **United States Design Patent** (10) **Patent No.:** **US D959,848 S**
Quinn (45) **Date of Patent:** **** Aug. 9, 2022**

(54) **COMBINED SOAP BAR AND CURRY COMB BRUSH**

(71) Applicant: **Mary Quinn**, Bonsall, CA (US)

(72) Inventor: **Mary Quinn**, Bonsall, CA (US)

(**) Term: **15 Years**

(21) Appl. No.: **29/734,592**

(22) Filed: **May 13, 2020**

(51) **LOC (13) Cl.** **04-99**

(52) **U.S. Cl.**
USPC **D4/124**

(58) **Field of Classification Search**
USPC D4/117-138; D30/158, 159; D28/63;
D2/919; D32/35, 51
CPC A46B 3/00; A46B 3/20; A46B 3/22; A46B
5/00; A46B 5/02; A46B 5/021; A46B
5/026; A47K 7/043; A61H 7/00; A61H
7/003

See application file for complete search history.

(56) **References Cited**

U.S. PATENT DOCUMENTS

92,454 A	7/1869	Jenks	
375,114 A *	12/1887	Adams	A01K 13/002
			119/631
626,529 A *	6/1899	Ducat	A46B 3/20
			15/186
907,842 A *	12/1908	Meuzies	A46B 15/00
			15/114
1,064,641 A *	6/1913	Halstead	A46B 11/0013
			401/28
2,958,889 A	11/1960	Greenblat	
4,040,390 A	8/1977	Rosenbaum	
D285,131 S *	8/1986	Wilkeson	D30/158
D632,087 S *	2/2011	Wang	D4/129
D712,058 S *	8/2014	Huang	D24/215
D856,524 S *	8/2019	Bergbacka	D24/215

(Continued)

OTHER PUBLICATIONS

Amazon Bodhi Brush, announced May 2019 [online], [site visited May 17, 2021], Available from internet, URL: https://www.amazon.com/Bodhi-Dog-Grooming-Soothing-Professional/dp/B01FE3IIC4/ref=sr_1_1_sspa (Year: 2019).*

(Continued)

Primary Examiner — Cynthia Ramirez

Assistant Examiner — Tamara L Hahn

(74) *Attorney, Agent, or Firm* — Buche & Associates, P.C.; John K. Buche; Bryce A. Johnson

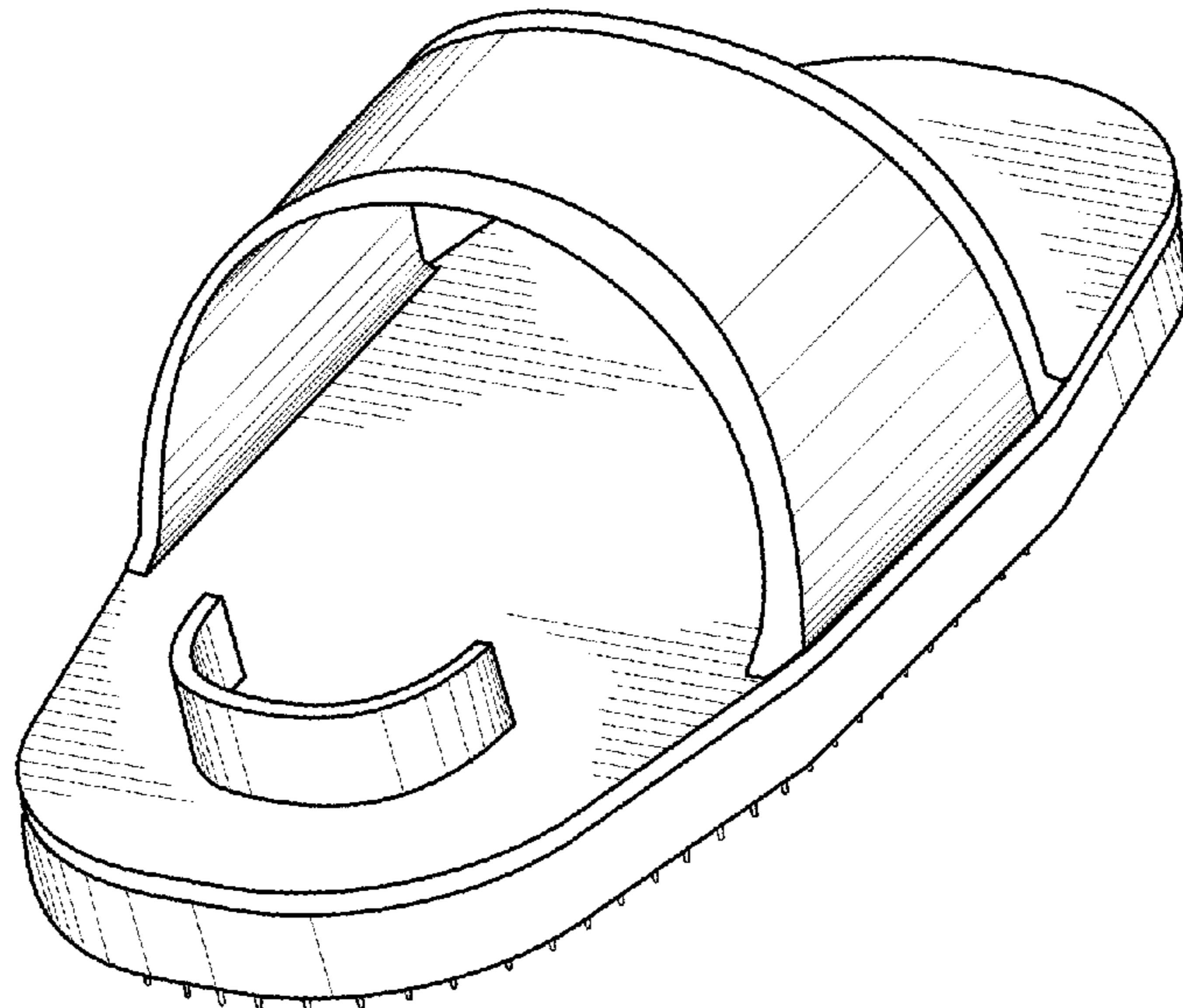
(57) **CLAIM**

I claim the ornamental design for “combined soap bar and curry comb brush,” as shown.

DESCRIPTION

FIG. 1 is a perspective view of an combined soap bar and curry comb brush;
FIG. 2 is a front view of the combined soap bar and curry comb brush;
FIG. 3 is a back view of the combined soap bar and curry comb brush;
FIG. 4 is a side view of the combined soap bar and curry comb brush;
FIG. 5 is a side view of the combined soap bar and curry comb brush;
FIG. 6 is a top view of the combined soap bar and curry comb brush;
FIG. 7 is a bottom view of the combined soap bar and curry comb brush;
FIG. 8 is a cross-section of the combined soap bar and curry comb brush along the line shown in FIG. 7; and,
FIG. 9 is a perspective view of the combined soap bar and curry comb brush.
The broken lines in FIG. 7 illustrate the sectional line and form no part of the claimed design.

1 Claim, 5 Drawing Sheets



(56)

References Cited

U.S. PATENT DOCUMENTS

D871,774 S * 1/2020 Potut D4/124
D903,955 S * 12/2020 Singer D30/159

OTHER PUBLICATIONS

SmakPak Brush, announced 2004 [online], [site visited May 17, 2021], Available from internet, URL: <https://www.smartpakequine.com/pt/soft-rubber-face-curry-751> (Year: 2004).*

Haas Curry Comb Brush, announced 2021 [online], [site visited May 17, 2021], Available from internet, URL: <https://www.fundis-equestrian.com/us/Stable-Care-and-Food/Grooming/Curry-Combs/13960/Haas-Curry-Comb-Nadeligel> (Year: 2021).*

Le Salon Brush, announced Jun. 2011 [online], [site visited May 17, 2021], Available from internet, URL: https://www.amazon.com/Salon-Essentials-Rubber-Grooming-Handle/dp/B0056V9S4M/ref=asc_df_B0056V9S4M/ (Year: 2011).*

Mary's Botanicals Curry Brush, announced 2021 [online], [site visited Jul. 28, 2021], Available from internet, URL: <https://www.marysbotanicals.com/products/shampoo-soap-curry-8-oz-bar-with-curry-comb> (Year: 2021).*

* cited by examiner

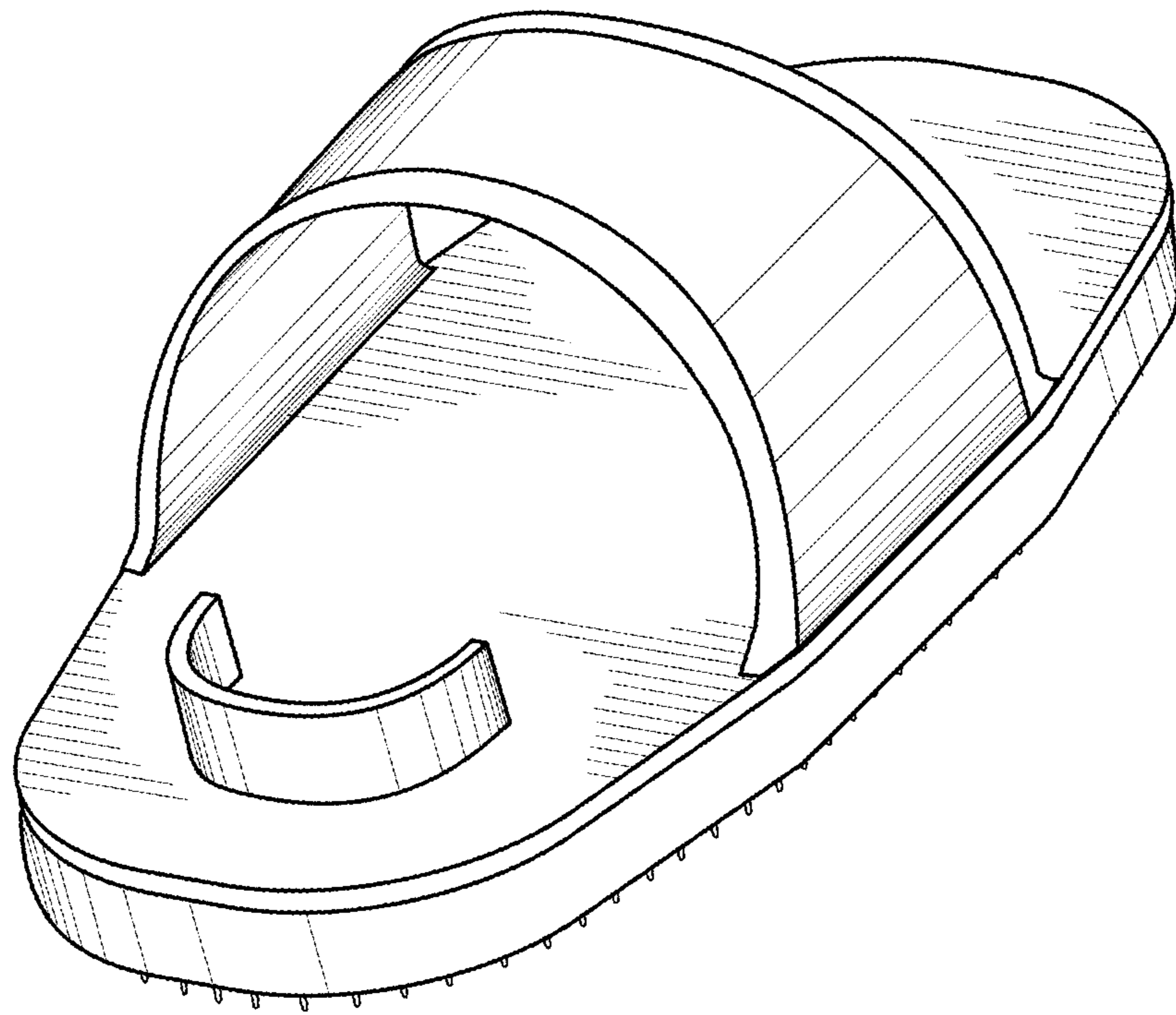


FIG. 1

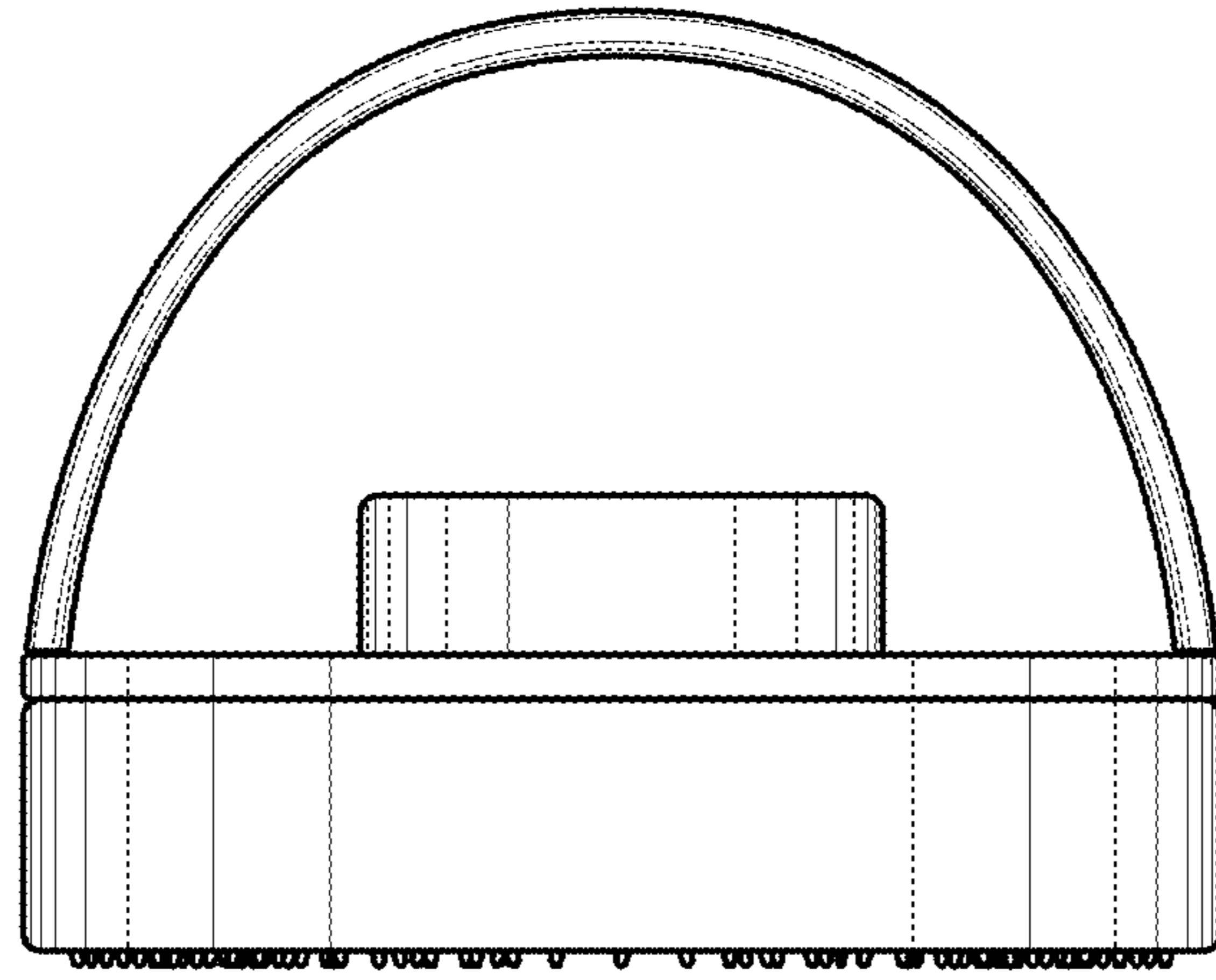


FIG. 2

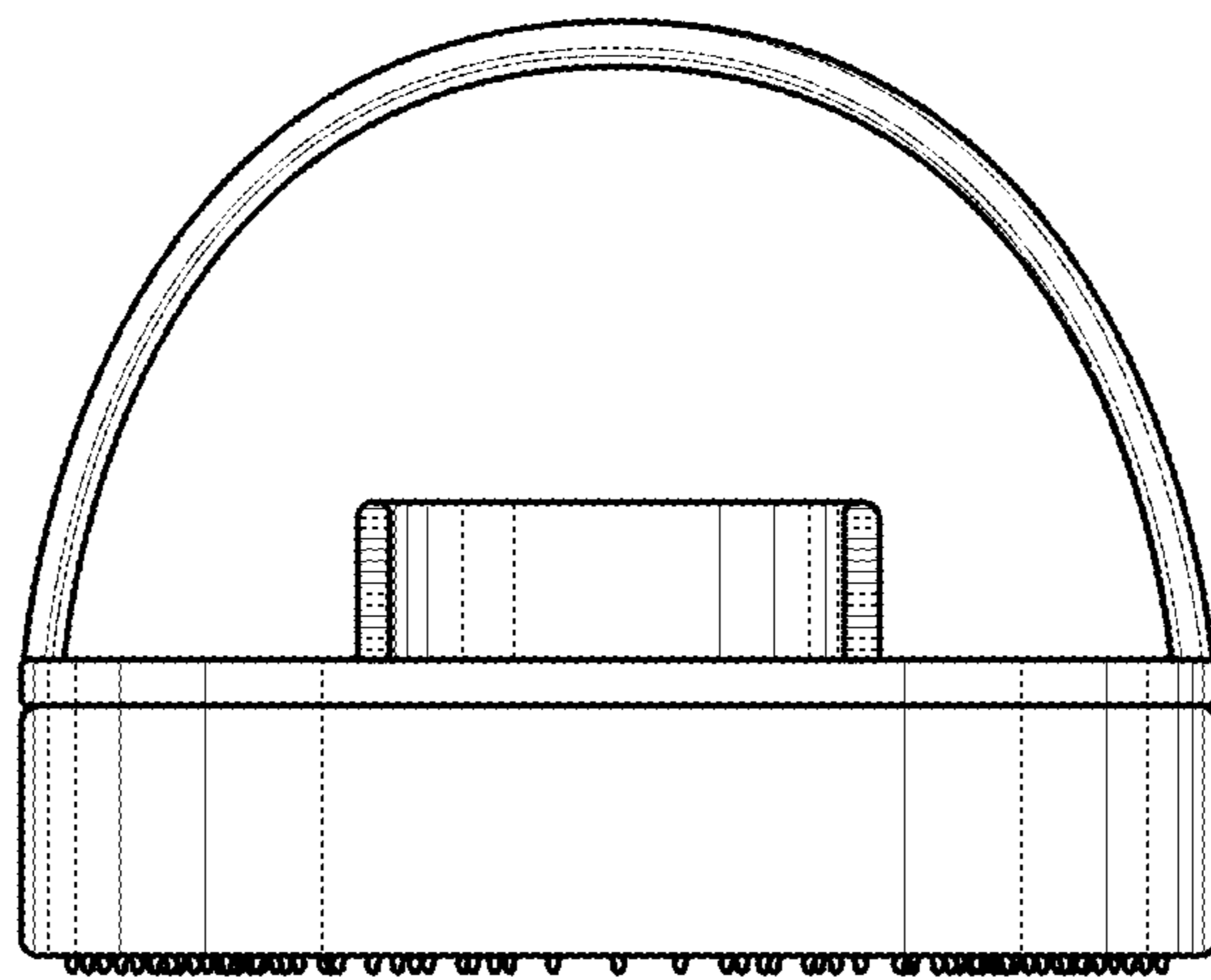


FIG. 3

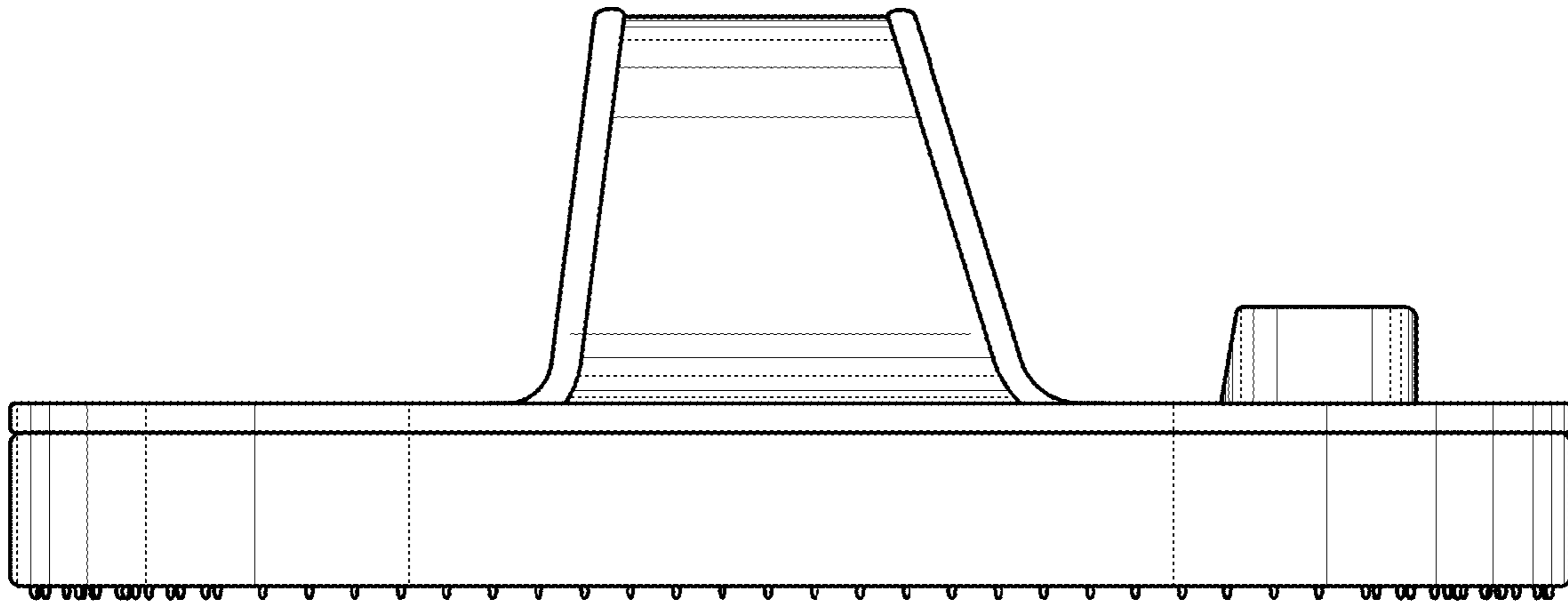


FIG. 4

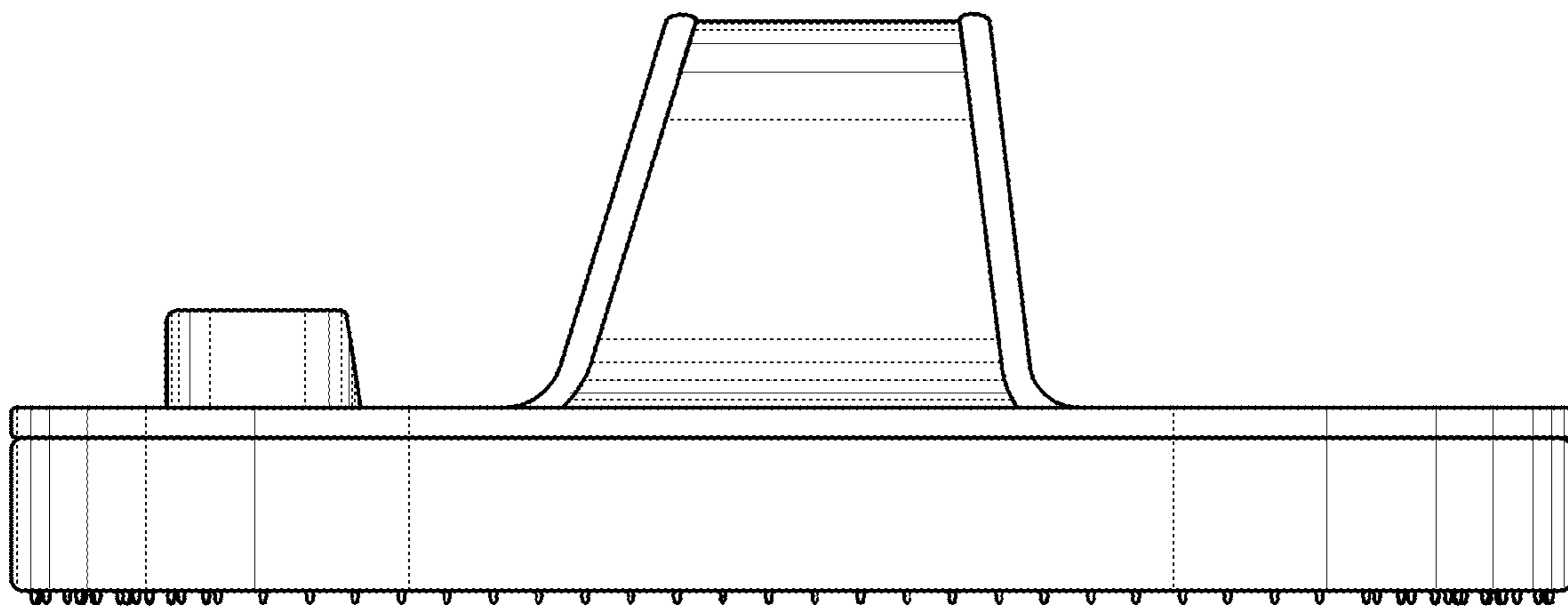


FIG. 5

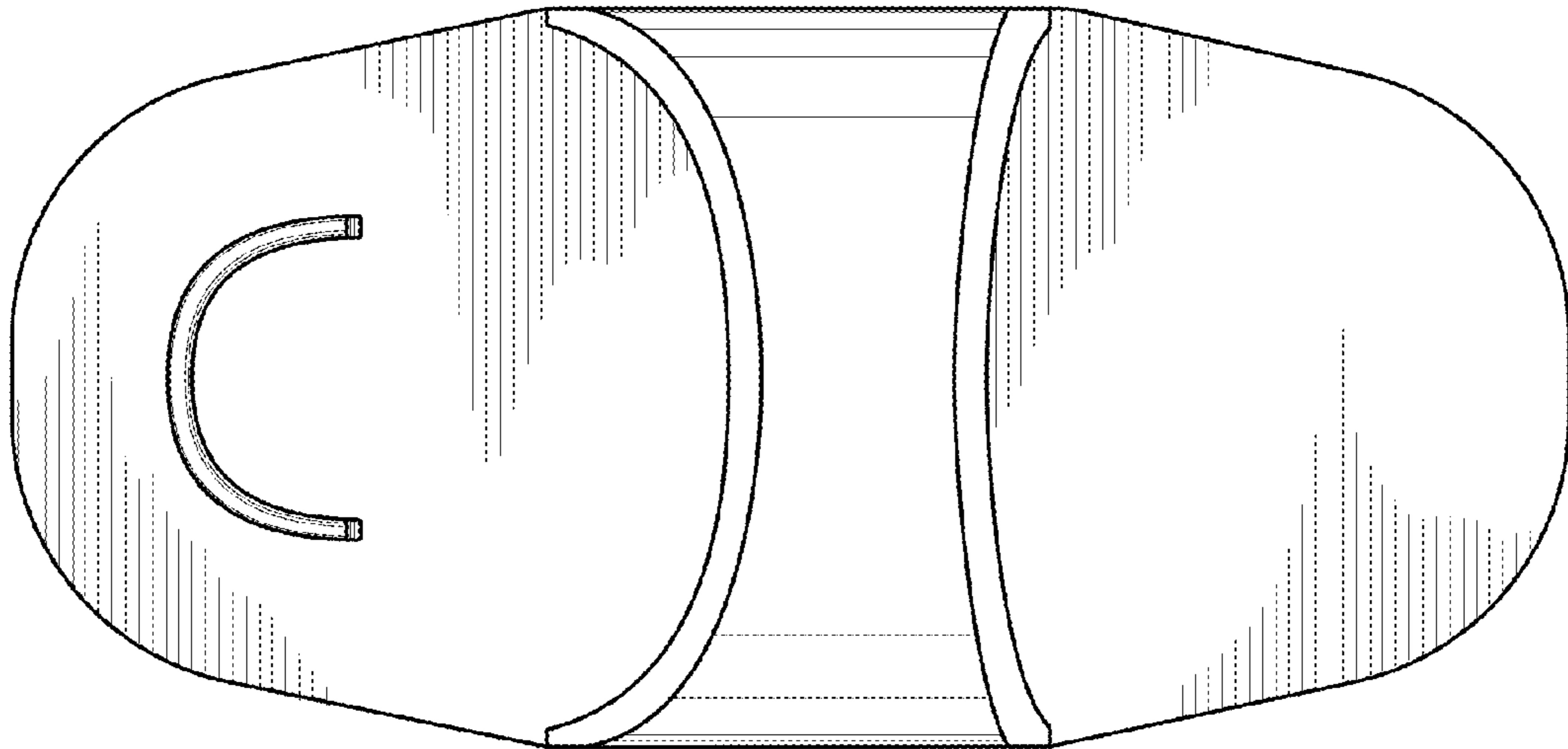


FIG. 6

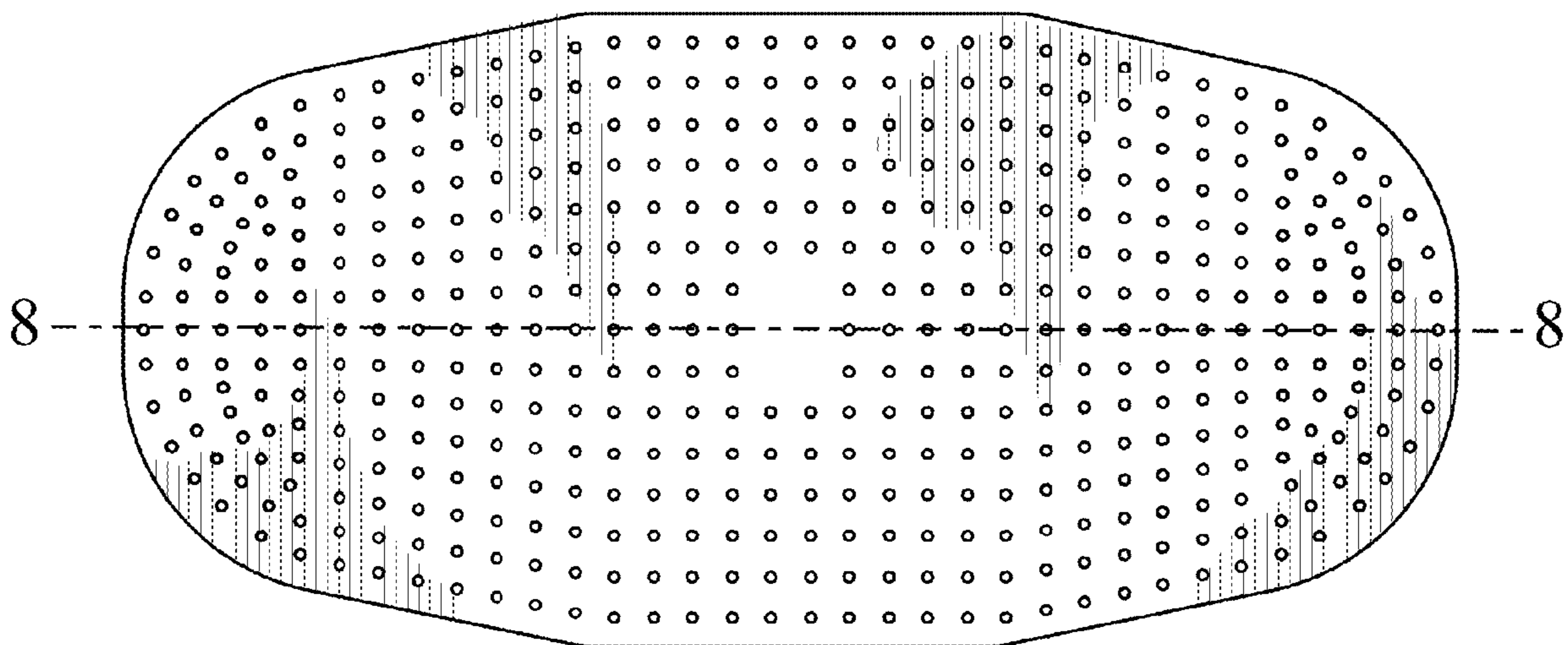


FIG. 7

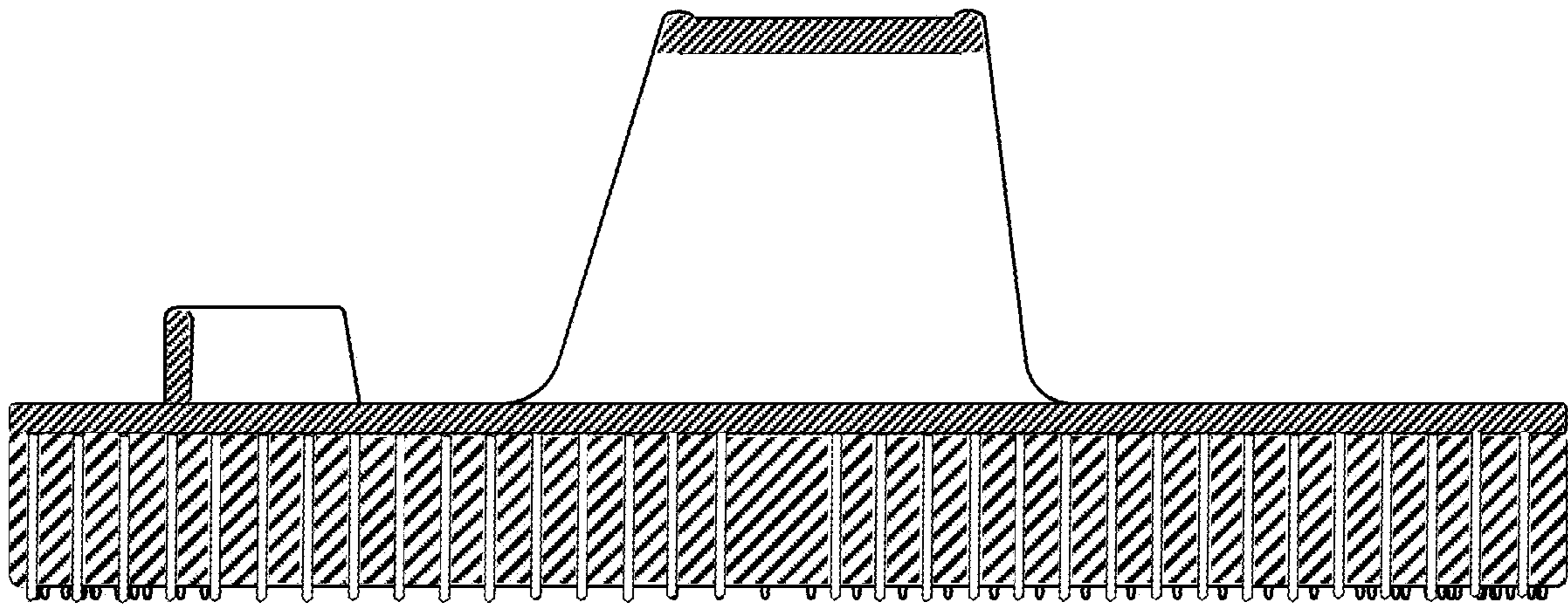


FIG. 8

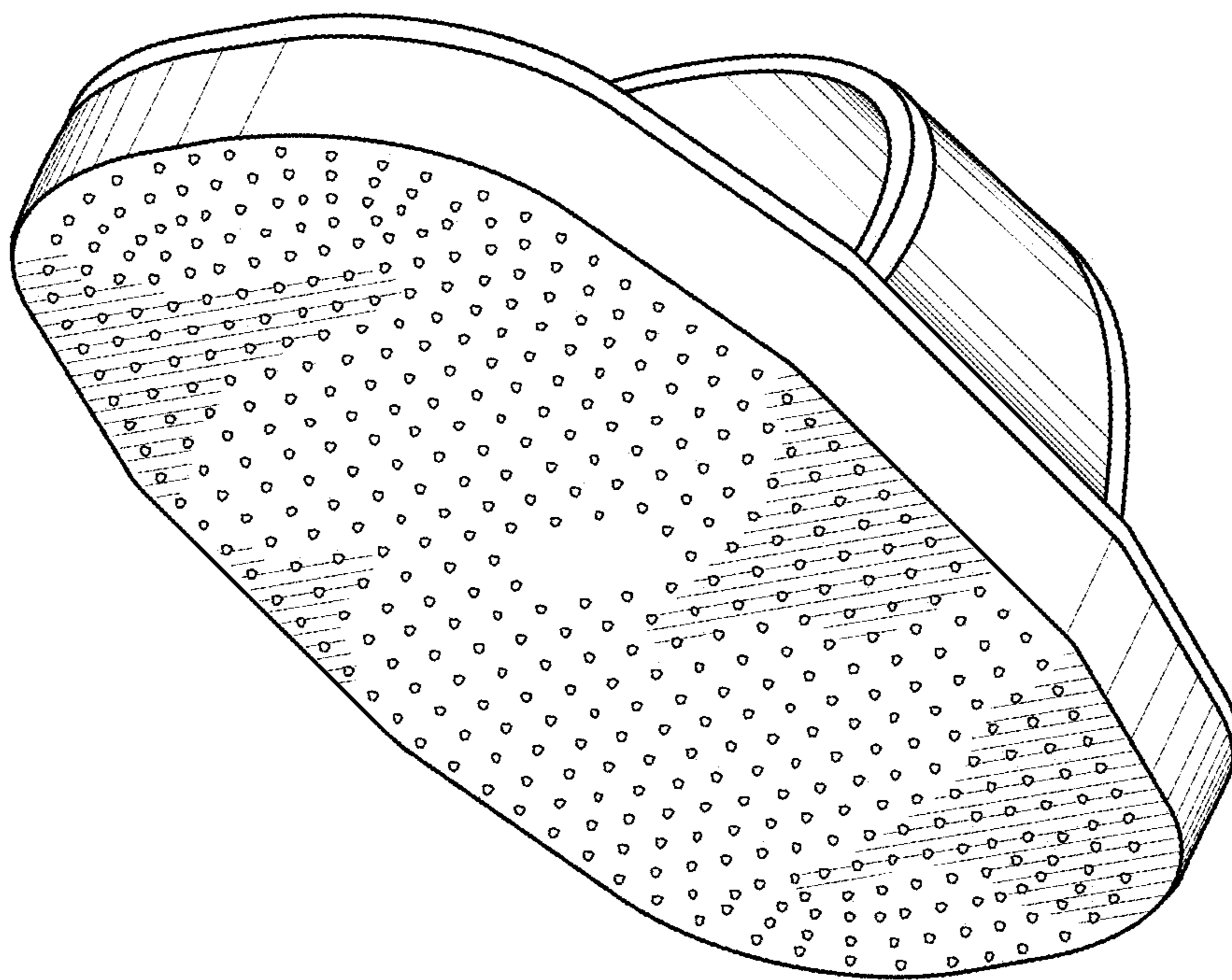


FIG. 9