



US00D959843S

(12) **United States Design Patent** (10) **Patent No.:** **US D959,843 S**
Jungnickel et al. (45) **Date of Patent:** **** Aug. 9, 2022**

(54) **TOOTHBRUSH**
(71) Applicant: **The Gillette Company LLC**, Boston, MA (US)
(72) Inventors: **Uwe Jungnickel**, Koenigstein Taunus (DE); **Dominik Langhammer**, Frankfurt (DE)
(73) Assignee: **The Gillette Company LLC**, Boston, MA (US)

D334,844 S * 4/1993 Lunderman D4/138
D336,040 S 6/1993 Philippe
D373,903 S 9/1996 Stutzer et al.
D420,910 S 2/2000 Stuppi
D454,251 S 3/2002 De Swarte et al.
D456,607 S 5/2002 Carlucci et al.
D465,655 S 11/2002 Kraemer
6,546,586 B2 * 4/2003 Cho A46B 9/06
15/167.1
D489,002 S 4/2004 Meyer et al.
(Continued)

(**) Term: **15 Years**

(21) Appl. No.: **29/752,912**

(22) Filed: **Sep. 29, 2020**

Related U.S. Application Data

(62) Division of application No. 29/704,079, filed on Aug. 30, 2019, now Pat. No. Des. 901,183.

(30) **Foreign Application Priority Data**

Mar. 22, 2019 (WO) 970011959

(51) **LOC (13) Cl.** **04-02**

(52) **U.S. Cl.**
USPC **D4/101**

(58) **Field of Classification Search**
USPC D4/100, 101, 102, 104, 105, 106, 107,
D4/108, 109, 110, 111, 112, 113, 114,
D4/115, 116, 119, 130, 132, 133, 134,
D4/136, 137, 138, 199
CPC ... A46B 2200/1066; A46B 5/02; A61C 17/16;
A61C 17/22
See application file for complete search history.

(56) **References Cited**

U.S. PATENT DOCUMENTS

2,242,743 A 5/1941 Brown
4,880,111 A 11/1989 Bagwell

FOREIGN PATENT DOCUMENTS

CN 1229341 A 9/1999
CN 1241123 A 1/2000
(Continued)

OTHER PUBLICATIONS

All Office Actions, U.S. Appl. No. 29/704,079.
(Continued)

Primary Examiner — Karen E Eldridge Powers
(74) *Attorney, Agent, or Firm* — Vladimir Vitenberg

(57) **CLAIM**

The ornamental design for a toothbrush, as shown and described.

DESCRIPTION

FIG. 1 is a perspective view of a toothbrush;
FIG. 2 is a front elevation view thereof;
FIG. 3 is a right side elevation view thereof;
FIG. 4 is a rear elevation view thereof;
FIG. 5 is a left side elevation view thereof;
FIG. 6 is a top plan view thereof; and,
FIG. 7 is a bottom plan view thereof.
The broken lines illustrate environmental structure and form no part of the claimed design.

1 Claim, 2 Drawing Sheets



(56)

References Cited

U.S. PATENT DOCUMENTS

6,751,823	B2	6/2004	Biro	
6,957,468	B2	10/2005	Driesen et al.	
D515,816	S	2/2006	Jimenez et al.	
D517,213	S	3/2006	Vu et al.	
7,047,591	B2	5/2006	Hohlbein	
D533,720	S	12/2006	Vu	
D569,623	S	5/2008	Beedham	
D577,493	S	9/2008	Wong	
D578,768	S *	10/2008	Geiberger	D4/104
7,520,016	B2	4/2009	Kressner	
D598,198	S	8/2009	Crossman	
D605,525	S	12/2009	Zitterkopf	
D607,646	S	1/2010	Ino	
D609,914	S	2/2010	Erskine-Smith et al.	
D613,154	S	4/2010	Arnell	
D617,843	S	6/2010	Heinke	
7,788,756	B2	9/2010	Kraemer	
7,836,537	B1 *	11/2010	Kumar	A46B 9/04 15/22.1
D630,019	S	1/2011	Wong	
D630,020	S	1/2011	Wong	
D631,345	S	1/2011	Gustafson	
D650,659	S	12/2011	Tucker	
D652,626	S	1/2012	Gebski	
D653,035	S	1/2012	Gebski	
D656,817	S	4/2012	Tucker et al.	
D657,954	S	4/2012	Gebski	
D658,381	S	5/2012	Gebski	
D658,383	S	5/2012	Key et al.	
D669,687	S	10/2012	Heil et al.	
D669,688	S	10/2012	Jimenez et al.	
D674,195	S	1/2013	Nanda	
D676,663	S	2/2013	Ptok et al.	
D684,469	S	6/2013	Collinet	
8,464,388	B2	6/2013	Chen	
D687,636	S	8/2013	Driesen et al.	
D688,045	S	8/2013	Key et al.	
8,511,323	B2 *	8/2013	Jimenez	B65D 83/0011 132/311
D689,697	S	9/2013	Doumoto et al.	
8,549,691	B2	10/2013	Moskovich	
8,578,544	B2 *	11/2013	Brown, Jr.	A46B 15/0032 15/110
8,656,548	B2	2/2014	Jungnickel et al.	
D704,447	S	5/2014	Xi	
8,769,758	B2	7/2014	Jungnickel et al.	
D710,111	S	8/2014	Ding	
D712,247	S	9/2014	Lemahieu	
D717,547	S	11/2014	Adriaenssen et al.	
D718,057	S	11/2014	Massee et al.	
D719,737	S	12/2014	Adriaenssen et al.	
D734,614	S	7/2015	Driesen	
D747,609	S	1/2016	Watkins	
D749,851	S	2/2016	Watkins	
D751,295	S	3/2016	Lee et al.	
D752,868	S	4/2016	Mcgarry et al.	
D759,380	S	6/2016	Watkins	
D759,381	S	6/2016	Watkins	
D759,382	S	6/2016	Watkins	
D759,383	S	6/2016	Watkins	
D762,986	S	8/2016	May et al.	
9,402,461	B2	8/2016	Brik et al.	
D766,581	S	9/2016	Bloch et al.	
D767,895	S	10/2016	Stabila et al.	
D768,996	S	10/2016	Xi et al.	
D771,388	S	11/2016	Since	
D773,822	S	12/2016	Sikora et al.	
D775,469	S	1/2017	Sikora et al.	
D776,936	S *	1/2017	Fretwell	D4/104
D778,062	S	2/2017	Schmid	
D787,189	S	5/2017	Fretwell et al.	
9,642,682	B2	5/2017	Kato	
9,675,168	B2 *	6/2017	Jungnickel	A46B 9/028
D790,859	S	7/2017	Mcgarry et al.	
D791,485	S	7/2017	Mcgarry et al.	
D793,735	S *	8/2017	Zavalloni	D4/102
D794,336	S *	8/2017	Zavalloni	D4/102
D795,419	S	8/2017	Kohler	
9,724,180	B1	8/2017	Liu	
9,724,181	B2	8/2017	Schaefer et al.	
D799,217	S	10/2017	Massee	
D799,218	S	10/2017	Okai	
D799,835	S	10/2017	Okai	
9,788,926	B2	10/2017	Franke	
D801,696	S	11/2017	Mcgarry et al.	
D805,306	S	12/2017	Massee	
9,865,184	B2	1/2018	Jungnickel et al.	
D814,195	S	4/2018	Sikora et al.	
D815,838	S *	4/2018	Xi	D4/104
D818,274	S	5/2018	Bauernfeind	
D819,337	S	6/2018	Yuan et al.	
D819,973	S	6/2018	Greve et al.	
D824,174	S	7/2018	Altmann et al.	
D824,175	S	7/2018	Yan	
D828,036	S	9/2018	Wainless et al.	
D831,358	S	10/2018	Altmann et al.	
D833,753	S *	11/2018	Axelrod	D4/119
D834,324	S	11/2018	Hielscher	
10,123,609	B2	11/2018	Dishon	
D838,991	S	1/2019	Choi et al.	
10,195,005	B2	2/2019	Wallström et al.	
D844,995	S	4/2019	Wong et al.	
D845,636	S	4/2019	Porter et al.	
D854,331	S	7/2019	Hielscher	
D854,332	S	7/2019	Hielscher	
D854,334	S	7/2019	Hielscher	
D854,835	S	7/2019	Hielscher et al.	
D855,997	S	8/2019	Hielscher et al.	
D855,998	S	8/2019	Hielscher et al.	
10,376,039	B2	8/2019	Jungnickel	
D860,653	S	9/2019	Xi	
D861,351	S	10/2019	Albay et al.	
D862,223	S	10/2019	Camper	
D863,772	S	10/2019	Hu	
D863,773	S	10/2019	Hu	
10,426,249	B2 *	10/2019	Hohlbein	A46B 1/00
10,485,328	B2	11/2019	Jimenez et al.	
D868,482	S	12/2019	Papazian	
D874,156	S	2/2020	Altmann et al.	
D874,830	S	2/2020	Choi et al.	
10,548,392	B2 *	2/2020	Robinson	A46B 3/08
D879,474	S	3/2020	Pauschitz	
D880,165	S *	4/2020	Oh	D4/104
D880,166	S *	4/2020	Oh	D4/104
D880,870	S	4/2020	Greve	
D880,871	S	4/2020	Choi	
D881,581	S	4/2020	Smigel	
D882,271	S	4/2020	Mote	
10,631,623	B2 *	4/2020	Kraemer	A46B 9/028
D884,351	S	5/2020	Albay et al.	
D884,354	S	5/2020	Albay et al.	
D887,145	S	6/2020	Hu	
D887,147	S	6/2020	Jimenez	
D887,148	S	6/2020	Okai	
10,667,892	B2	6/2020	Bärtschi et al.	
10,687,611	B2	6/2020	Tschol	
10,694,839	B2	6/2020	Tschol	
D889,844	S	7/2020	Greve	
D890,528	S	7/2020	Albay et al.	
D891,114	S	7/2020	Kuang	
D891,116	S	7/2020	Feng	
10,702,051	B2	7/2020	Tschol	
10,702,053	B2	7/2020	Tschol	
10,709,533	B2	7/2020	Bloch	
10,729,232	B2	8/2020	Jungnickel	
10,743,650	B2	8/2020	Katano	
10,750,847	B2	8/2020	Dengler	
D894,610	S	9/2020	Albay et al.	
D895,295	S	9/2020	Xu	
D895,296	S	9/2020	Hu et al.	
10,792,136	B2 *	10/2020	May	A61C 17/221
D901,183	S	11/2020	Jungnickel et al.	
10,835,025	B2	11/2020	Kirchhofer et al.	
10,835,028	B2	11/2020	Gatzemeyer et al.	

(56)

References Cited

U.S. PATENT DOCUMENTS

10,869,742 B2 12/2020 Fritsch et al.
 10,874,205 B2 12/2020 Alinski et al.
 D906,678 S 1/2021 Ge
 D906,688 S 1/2021 Porter et al.
 D907,369 S 1/2021 Yang
 10,881,195 B2 1/2021 Nanda
 D909,065 S 2/2021 Mote et al.
 10,925,384 B2 2/2021 Hohlbein et al.
 D912,988 S * 3/2021 Langhammer D4/101
 D912,989 S 3/2021 Albay et al.
 D917,298 S 4/2021 Hallein et al.
 D919,301 S 5/2021 Zhao
 D926,048 S 7/2021 Hallein et al.
 D926,049 S 7/2021 Hallein et al.
 D927,972 S 8/2021 Hallein et al.
 11,103,054 B2 8/2021 Altmann et al.
 D930,989 S 9/2021 Albay et al.
 D930,990 S 9/2021 Hallein et al.
 D931,617 S * 9/2021 Hallein D4/110
 D931,619 S 9/2021 Hallein et al.
 D932,777 S 10/2021 Albay et al.
 D933,368 S 10/2021 Albay et al.
 D935,187 S 11/2021 Hu
 D935,188 S 11/2021 He et al.
 D935,192 S 11/2021 He et al.
 D936,484 S 11/2021 Hallein et al.
 D937,582 S 12/2021 Deng
 D938,732 S 12/2021 Deng
 2005/0268414 A1 * 12/2005 Kim A46B 9/04
 15/167.1
 2006/0048323 A1 3/2006 Rueb
 2007/0131241 A1 6/2007 Nanda
 2007/0163064 A1 7/2007 Wong et al.
 2009/0013489 A1 1/2009 Binet
 2010/0115724 A1 5/2010 Huang
 2012/0124759 A1 5/2012 Fritsch
 2012/0272996 A1 11/2012 Jimenez
 2013/0255017 A1 10/2013 Lee
 2015/0113747 A1 4/2015 May et al.
 2016/0135580 A1 5/2016 Tschol et al.
 2016/0270520 A1 9/2016 Lee
 2017/0128178 A1 5/2017 Schmidt et al.
 2018/0021116 A1 1/2018 StÖrkel
 2019/0125065 A1 5/2019 Altmann
 2019/0200740 A1 7/2019 Jungnickel
 2019/0200742 A1 7/2019 Jungnickel
 2019/0200743 A1 7/2019 Jungnickel
 2019/0200748 A1 7/2019 Görich et al.
 2019/0231063 A1 8/2019 May et al.
 2020/0077778 A1 * 3/2020 Jungnickel A46B 9/025
 2020/0179089 A1 6/2020 Serval
 2020/0315334 A1 10/2020 Meidl
 2020/0359779 A1 11/2020 Dengler et al.
 2020/0368003 A1 11/2020 Claire-Zimmet et al.
 2020/0397130 A1 12/2020 Ganninger et al.
 2020/0397134 A1 12/2020 Ganninger et al.
 2020/0397136 A1 12/2020 Ganninger et al.
 2020/0397137 A1 12/2020 Ganninger et al.
 2021/0030145 A1 2/2021 Lee et al.
 2021/0045857 A1 2/2021 Fritsch et al.
 2021/0145539 A1 5/2021 Greve
 2021/0145557 A1 5/2021 May et al.

FOREIGN PATENT DOCUMENTS

CN 202269590 U 6/2012
 CN 302898215 S 8/2014
 DE 3241118 A1 8/1984
 EM 0024534720002 8/2014
 EM 003175470-0002 7/2016
 EM 004362952-0001 9/2017
 JP 1232984 S 3/2005
 JP 1620904 S 12/2018
 RU 93878 S 5/2010

RU 77426 S 2/2011
 RU 89542 S 8/2014
 TR 099695-0002 * 3/2019
 WO 093043 6/2017

OTHER PUBLICATIONS

All Office Actions, U.S. Appl. No. 29/752,903.
 U.S. Appl. No. 29/746,709, filed Aug. 17, 2020, Christine Hallein et al.
 U.S. Appl. No. 29/659,068, filed Aug. 6, 2020, Christine Hallein et al.
 U.S. Appl. No. 29/787,707, filed Jun. 8, 2021, Uwe Jungnickel et al.
 U.S. Appl. No. 29/746,718, filed Aug. 17, 2020, Dominik Langhammer.
 U.S. Appl. No. 29/757,499, filed Nov. 6, 2020, Christine Hallein et al.
 U.S. Appl. No. 29/752,903, filed Sep. 29, 2020, Uwe Jungnickel et al.
 U.S. Appl. No. 29/762,793, filed Dec. 18, 2020, Uwe Jungnickel et al.
 U.S. Appl. No. 29/787,712, filed Jun. 8, 2021, Uwe Jungnickel et al.
 U.S. Appl. No. 29/699,695, filed Jul. 29, 2019, Niclas Altmann et al.
 U.S. Appl. No. 29/743,560, filed Jul. 22, 2020, Devran Albay et al.
 U.S. Appl. No. 29/758,268, filed Nov. 13, 2020, Devran Albay et al.
 U.S. Appl. No. 29/758,249, filed Nov. 13, 2020, Devran Albay et al.
 U.S. Appl. No. 29/758,251, filed Nov. 13, 2020, Devran Albay et al.
 U.S. Appl. No. 29/758,276, filed Nov. 13, 2020, Devran Albay et al.
 U.S. Appl. No. 29/758,274, filed Nov. 13, 2020, Devran Albay et al.
 U.S. Appl. No. 29/786,732, filed Jun. 2, 2021, Devran Albay et al.
 U.S. Appl. No. 29/786,746, filed Jun. 2, 2021, Devran Albay et al.
 U.S. Appl. No. 29/794,152, filed Jun. 10, 2021, Devran Albay et al.
 U.S. Appl. No. 29/782,323, filed May 6, 2021, Christine Hallein et al.
 All Office Actions; U.S. Appl. No. 29/646,252, filed May 2, 2018.
 All Office Actions; U.S. Appl. No. 29/659,068, filed Aug. 6, 2018.
 All Office Actions; U.S. Appl. No. 29/659,078, filed Aug. 6, 2018.
 All Office Actions; U.S. Appl. No. 29/681,302, filed Feb. 25, 2019.
 All Office Actions; U.S. Appl. No. 29/695,301, filed Jun. 18, 2019.
 All Office Actions; U.S. Appl. No. 29/699,695, filed Jul. 29, 2019.
 All Office Actions; U.S. Appl. No. 29/743,560, filed Jul. 22, 2020.
 All Office Actions; U.S. Appl. No. 29/746,709, filed Aug. 17, 2020.
 All Office Actions; U.S. Appl. No. 29/746,718, filed Aug. 17, 2020.
 All Office Actions; U.S. Appl. No. 29/755,910, filed Oct. 23, 2020.
 All Office Actions; U.S. Appl. No. 29/757,497, filed Nov. 6, 2020.
 All Office Actions; U.S. Appl. No. 29/757,499, filed Nov. 6, 2020.
 All Office Actions; U.S. Appl. No. 29/758,249, filed Nov. 13, 2020.
 All Office Actions; U.S. Appl. No. 29/758,251, filed Nov. 13, 2020.
 All Office Actions; U.S. Appl. No. 29/758,268, filed Nov. 13, 2018.
 All Office Actions; U.S. Appl. No. 29/758,274, filed Nov. 13, 2020.
 All Office Actions; U.S. Appl. No. 29/758,276, filed Nov. 13, 2020.
 All Office Actions; U.S. Appl. No. 29/761,083, filed Dec. 7, 2020.
 All Office Actions; U.S. Appl. No. 29/761,085, filed Dec. 7, 2020.
 All Office Actions; U.S. Appl. No. 29/761,086, filed Dec. 7, 2020.
 All Office Actions; U.S. Appl. No. 29/761,090, filed Dec. 7, 2020.
 All Office Actions; U.S. Appl. No. 29/762,793, filed Dec. 18, 2020.
 All Office Actions; U.S. Appl. No. 29/782,323, filed May 6, 2021.
 All Office Actions; U.S. Appl. No. 29/786,732, filed Jun. 2, 2021.
 All Office Actions; U.S. Appl. No. 29/786,746, filed Jun. 2, 2021.
 All Office Actions; U.S. Appl. No. 29/787,707, filed Jun. 8, 2021.
 All Office Actions; U.S. Appl. No. 29/787,712, filed Jun. 8, 2021.
 All Office Actions; U.S. Appl. No. 29/794,152, filed Jun. 10, 2018.
 IFWorldDesignGuide | Entry | Oral-B CLIC, posted on Feb. 12, 2020, © 2021—iF Design [online], [site visited Feb. 26, 2021], Available from Internet, URL: <https://ifworlddesignguide.com/entry/281978-oral-b-clic/>.
 Oral-B Brush, announced 2020 [online], [site visited Jul. 24, 2020], Available from internet, URL: <https://www.amazon.com/Oral-B-Manual-Toothbrush-Replacement-Magnetic/dp/B07XZ2P6M6> (Year: 2020).
 Walmart | Philips Sonicare Sensitive Replacement Toothbrush Heads, posted on Apr. 30, 2019, © 2020 Walmart [online], [site visited Nov.

(56)

References Cited

OTHER PUBLICATIONS

5, 2020], Available from Internet, URL:<https://www.walmart.com/ip/Philips-Sonicare-Sensitive-replacement-toothbrush-heads-for-sensitive-teeth-HX6053-64-3-PK/21264305/>.

U.S. Appl. No. 29/819,318, filed Dec. 14, 2021, Devran Albay et al.

U.S. Appl. No. 29/814,616, filed Nov. 3, 2021, Christine Hallein et al.

U.S. Appl. No. 29/814,616, filed Nov. 8, 2021, Christine Hallein et al.

All Office Actions; U.S. Appl. No. 29/814,060, filed Nov. 3, 2021.

All Office Actions; U.S. Appl. No. 29/814,616, filed Nov. 8, 2021.

All Office Actions; U.S. Appl. No. 29/819,318, filed Dec. 14, 2021.

* cited by examiner

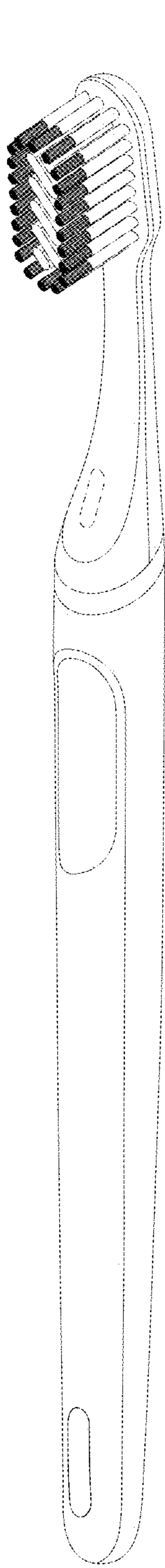


FIG. 1

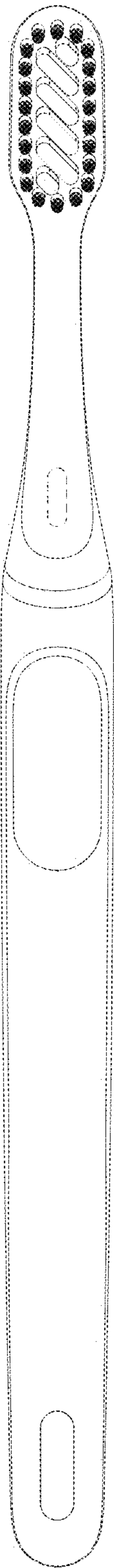


FIG. 2

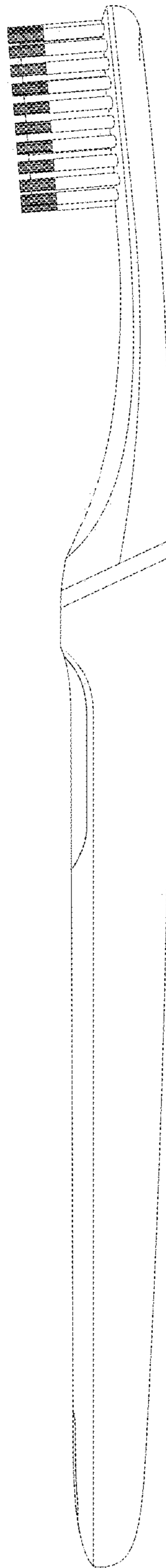


FIG. 3

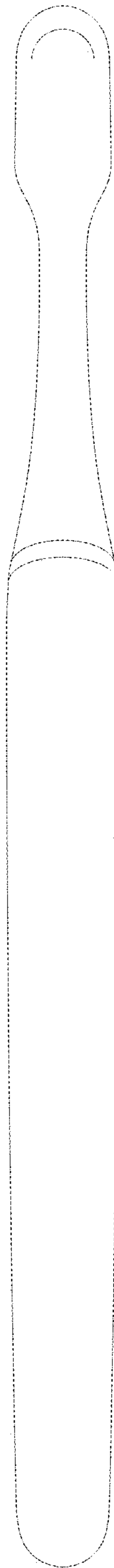


FIG. 4

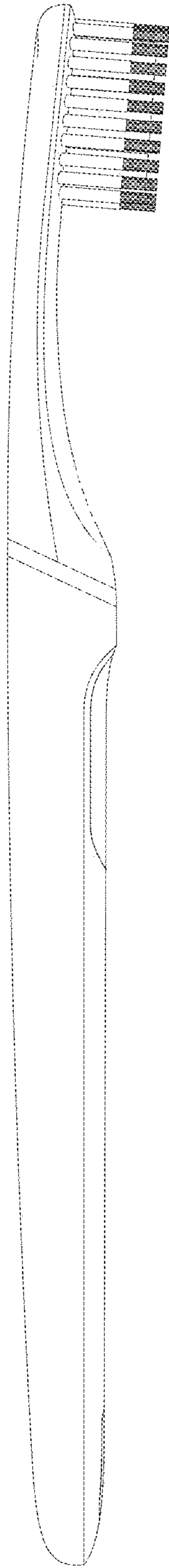


FIG. 5

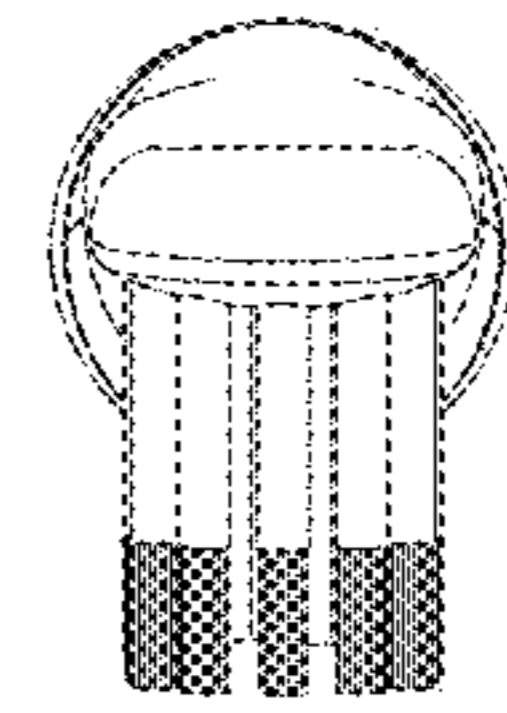


FIG. 6

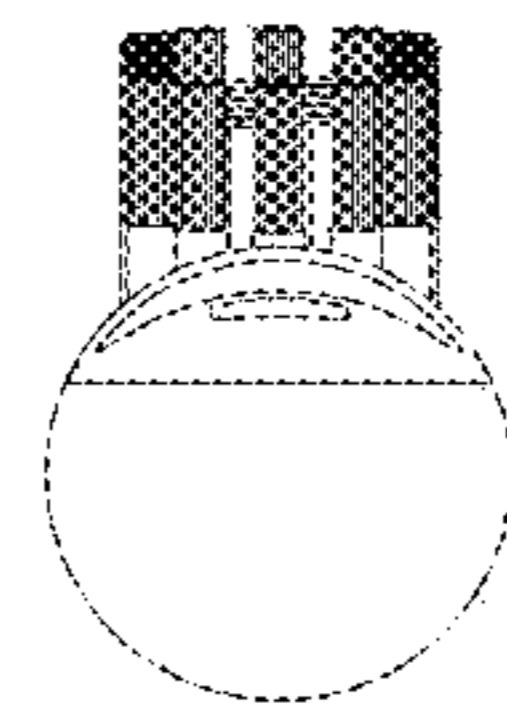


FIG. 7