



US00D959836S

(12) **United States Design Patent** (10) **Patent No.:** **US D959,836 S**
Tang (45) **Date of Patent:** **** Aug. 9, 2022**

(54) **TRAY**
(71) Applicant: **Guangzhou Wenrang Trading Co., Ltd., Guangzhou (CN)**
(72) Inventor: **Jiawei Tang, Lufeng (CN)**
(73) Assignee: **Guangzhou Wenrang Trading Co., Ltd., Guangzhou (CN)**
(**) Term: **15 Years**
(21) Appl. No.: **29/830,494**
(22) Filed: **Mar. 13, 2022**
(51) **LOC (13) Cl.** **03-01**
(52) **U.S. Cl.**
USPC **D3/313**
(58) **Field of Classification Search**
USPC D3/304, 306, 307, 310, 313, 314,
D3/318-319; D7/550.1, 553.1, 555,
D7/601-602; D12/400, 415-418, 425
CPC A47G 23/06; A45F 2200/05; B25H 3/006;
B25H 3/06; B65D 1/00; B65D 1/24;
B63B 17/00
See application file for complete search history.

(56) **References Cited**
U.S. PATENT DOCUMENTS
D190,131 S * 4/1961 Traum D19/75
D237,020 S * 9/1975 Valentine D9/425
D274,012 S * 5/1984 Williams D3/304
D283,666 S * 5/1986 Holzkopf D9/425
D303,310 S * 9/1989 Ross D3/304
D344,838 S * 3/1994 Hakansson D3/304
D351,731 S * 10/1994 Bustos D3/304
D358,710 S * 5/1995 Meyers D3/310
D365,730 S * 1/1996 Brightbill D3/313
D389,976 S * 1/1998 Burgess D34/27

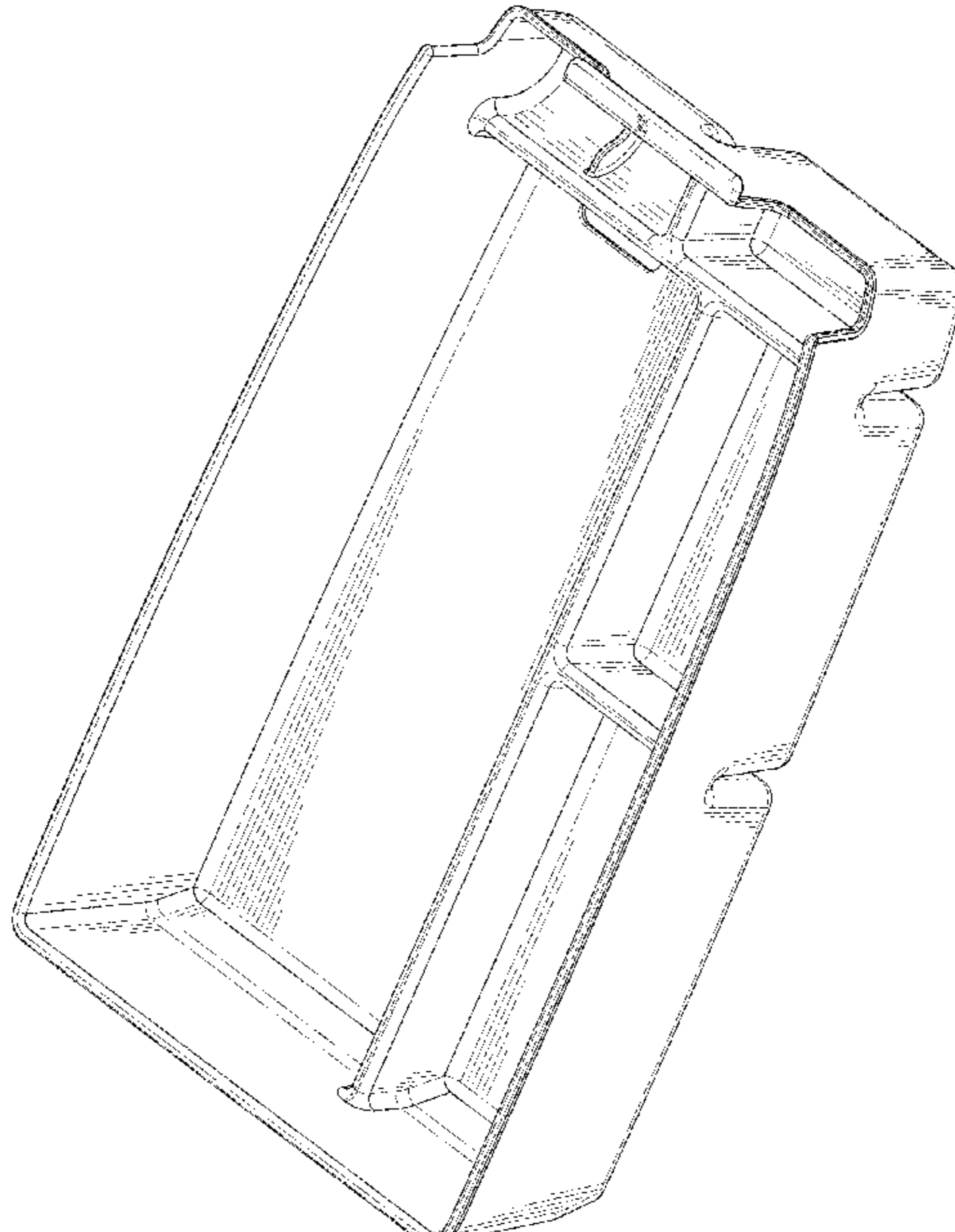
D396,953 S * 8/1998 Iversen D3/310
D433,568 S * 11/2000 Willison D3/310
D512,836 S * 12/2005 Marnell, II D3/313
D537,633 S * 3/2007 Marnell, II D3/313
D585,647 S * 2/2009 Whiteside D3/310
D709,927 S * 7/2014 Park D15/89
D748,498 S * 2/2016 Pipes D9/737
D830,742 S * 10/2018 Brendlinger D6/672
D848,151 S * 5/2019 Greenwood D3/313
D887,664 S * 6/2020 Liao D34/27
D897,679 S * 10/2020 Foley D3/304
D906,547 S * 12/2020 Loyer D25/68
D912,608 S 3/2021 Chen
D916,647 S 4/2021 Chen
D935,380 S * 11/2021 Ma D12/421
D935,381 S 11/2021 Chen
D940,057 S * 1/2022 Guo D12/425
D946,898 S * 3/2022 Chen D3/313
D949,773 S * 4/2022 Huang D12/425
D950,476 S * 5/2022 Gan D12/425
D950,953 S * 5/2022 Kennedy, III D24/227

* cited by examiner
Primary Examiner — Kelley A Donnelly
(74) *Attorney, Agent, or Firm* — Benjamin H. B. Sley

(57) **CLAIM**
The ornamental design for a tray, as shown and described.

DESCRIPTION
FIG. 1 is a perspective view of a tray for vehicle on board controller showing my new design;
FIG. 2 is another perspective view thereof;
FIG. 3 is a front view thereof;
FIG. 4 is a rear view thereof;
FIG. 5 is a left side view thereof;
FIG. 6 is a right side view thereof;
FIG. 7 is a top plan view thereof; and,
FIG. 8 is a bottom plan view thereof.

1 Claim, 8 Drawing Sheets



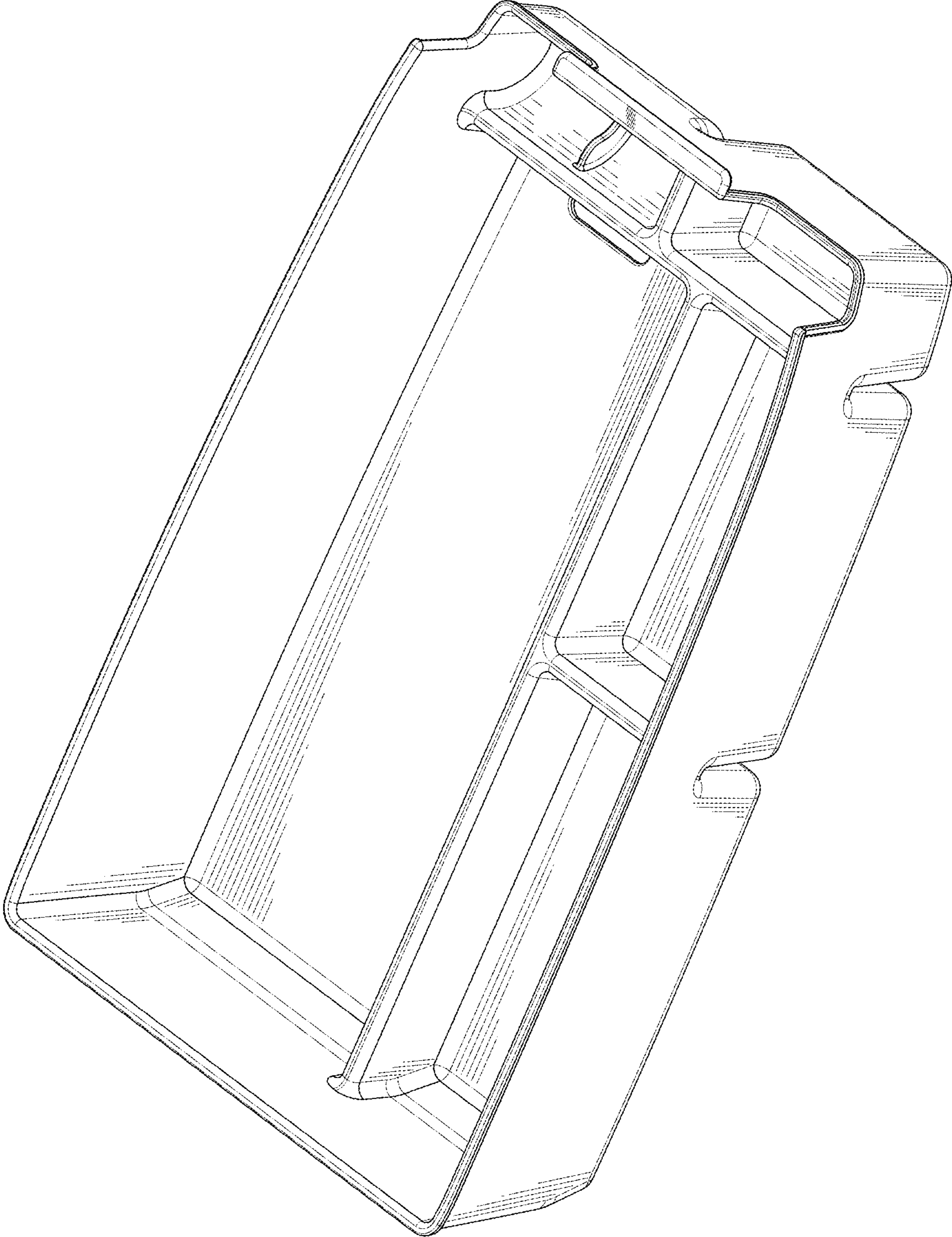


FIG. 1

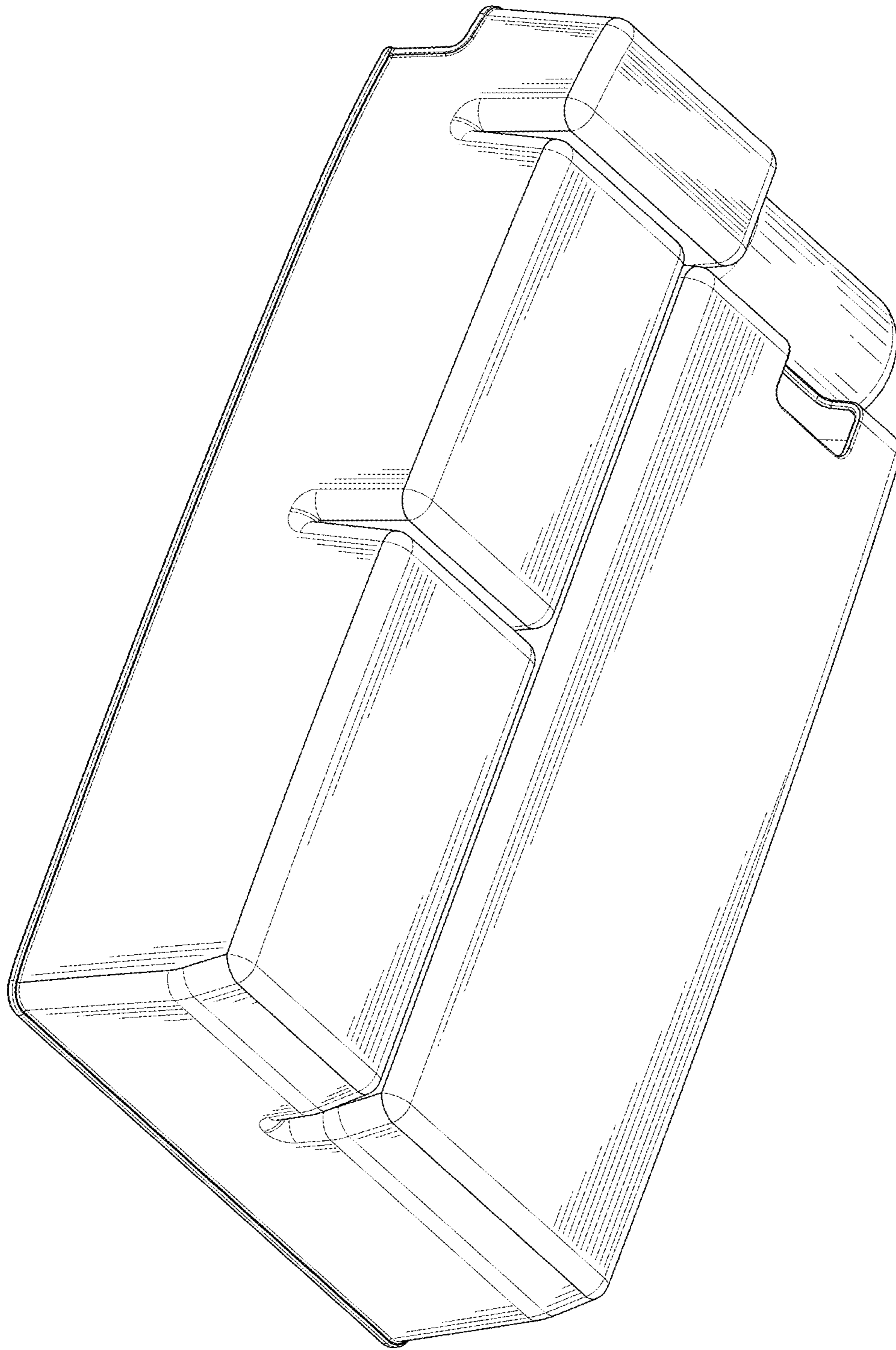


FIG. 2

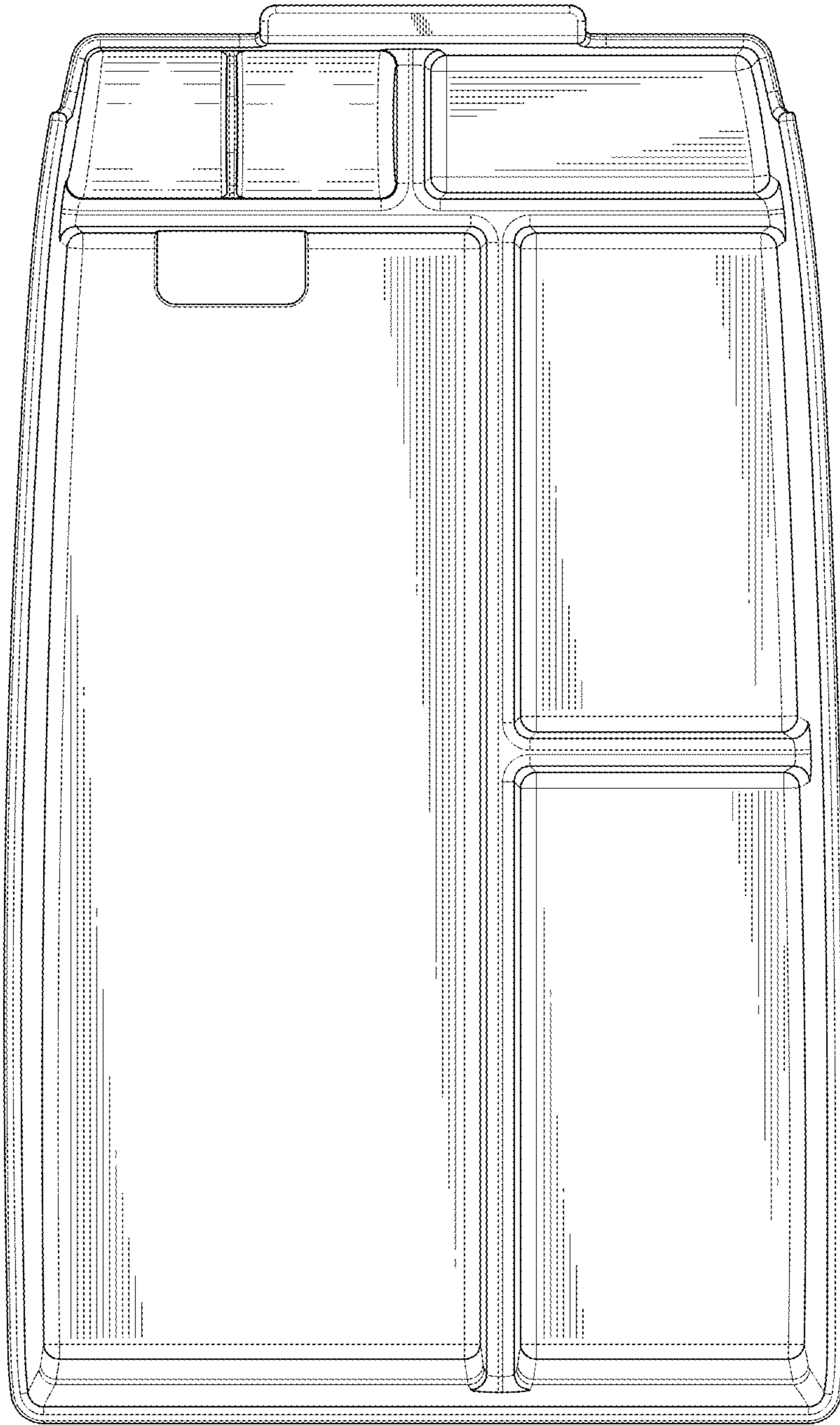


FIG. 3

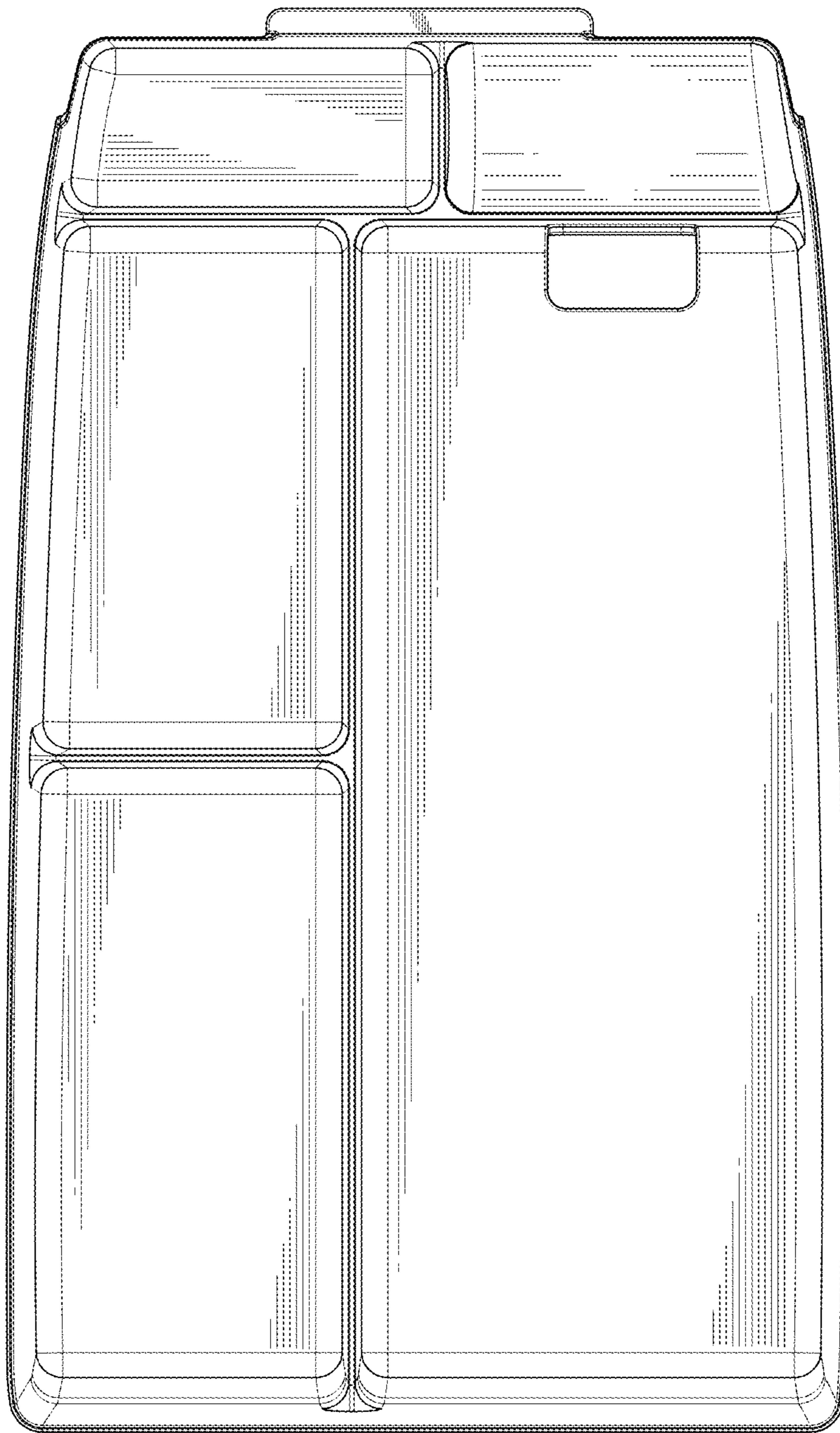


FIG. 4

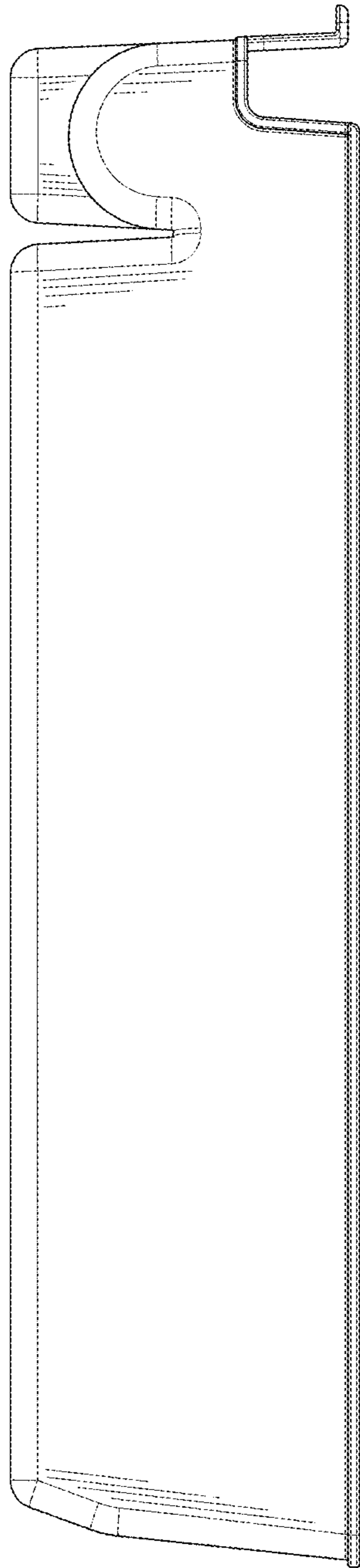


FIG. 5

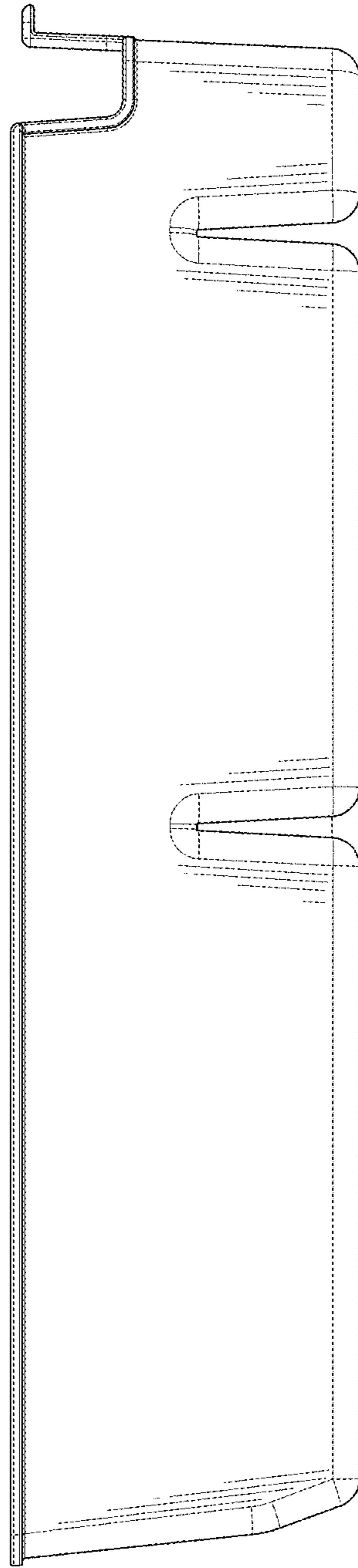


FIG. 6

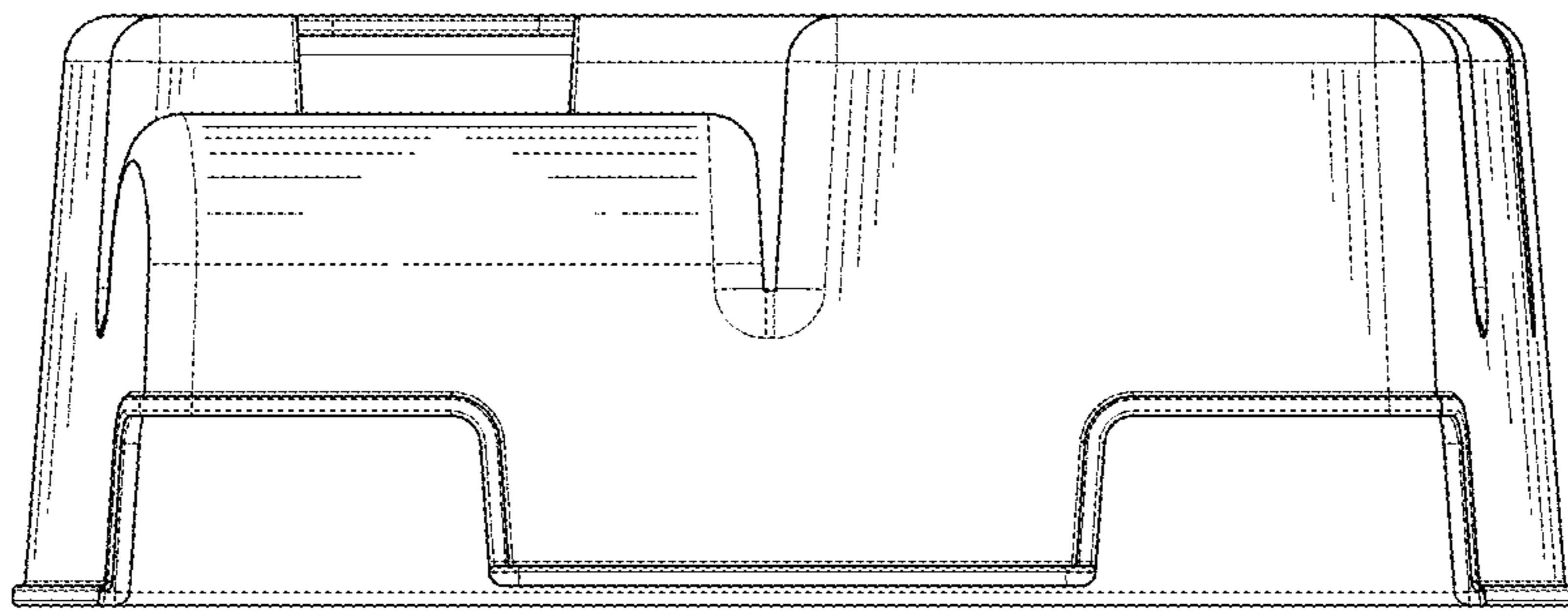


FIG. 7

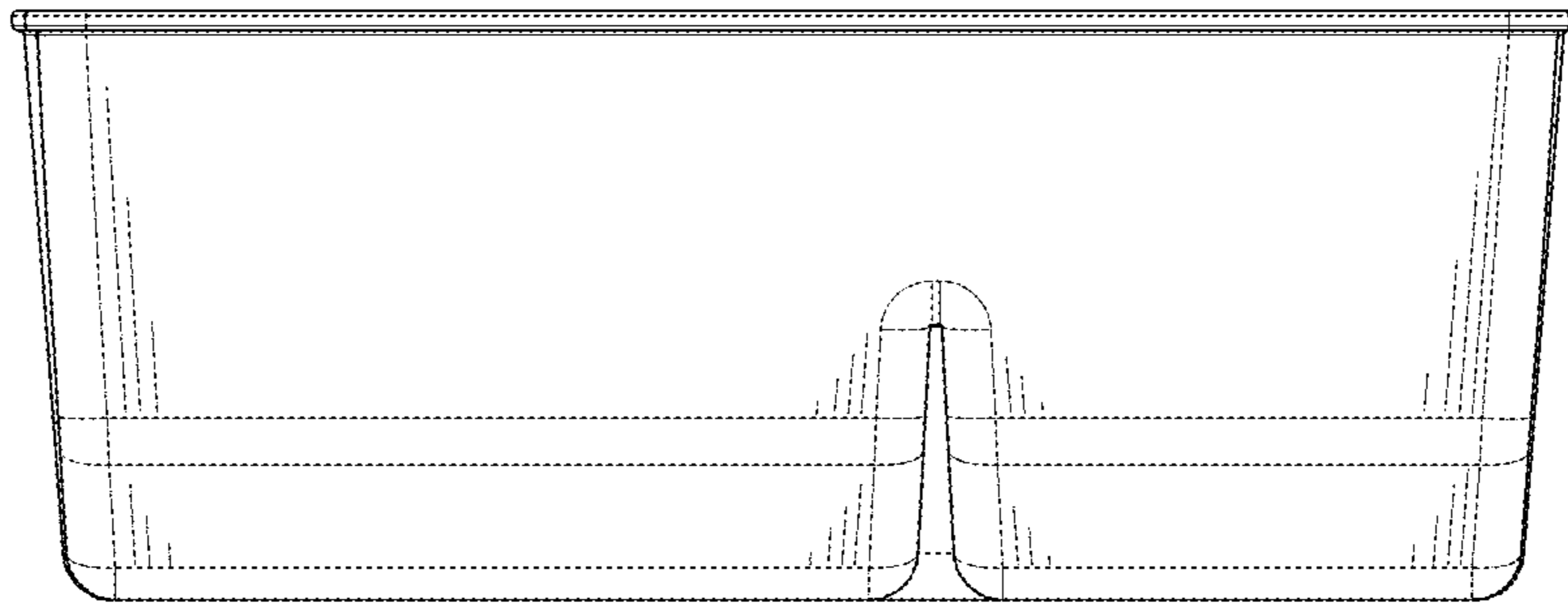


FIG. 8