



US00D959833S

(12) **United States Design Patent** (10) **Patent No.:** **US D959,833 S**  
**Vaccarello** (45) **Date of Patent:** **\*\* Aug. 9, 2022**

(54) **EARBUD HOLDER**

(71) Applicant: **YVES SAINT LAURENT**, Paris (FR)  
(72) Inventor: **Anthony Vaccarello**, Paris (FR)  
(73) Assignee: **Yves Saint Laurent**, Paris (FR)  
(\*\*) Term: **15 Years**  
(21) Appl. No.: **29/731,410**  
(22) Filed: **Apr. 15, 2020**

(30) **Foreign Application Priority Data**

Oct. 22, 2019 (EM) ..... 007076823-0001  
(51) **LOC (13) Cl.** ..... **03-01**  
(52) **U.S. Cl.**  
USPC ..... **D3/299**  
(58) **Field of Classification Search**  
USPC ..... D3/201, 207, 208, 212, 215, 218, 269,  
D3/273, 290, 294, 298, 299, 302;  
D7/641; D13/108; D14/223, 249, 509  
CPC ..... H04R 1/1025; H04R 2460/17; A45C  
2013/025; A45C 2011/001; H02J 7/0044;  
H02J 7/025

See application file for complete search history.

(56) **References Cited**

**U.S. PATENT DOCUMENTS**

D90,738 S \* 9/1933 Tatum ..... D3/299  
D185,943 S \* 8/1959 Schotland ..... D3/205  
D306,654 S \* 3/1990 Brown ..... D3/218  
D329,750 S \* 9/1992 Gilmore ..... 224/240  
D606,299 S \* 12/2009 Boomhour ..... D3/201  
D620,258 S \* 7/2010 Fahrendorff ..... D3/299  
D911,022 S \* 2/2021 Choi ..... D3/208

**FOREIGN PATENT DOCUMENTS**

CA 135393 \* 3/2011

**OTHER PUBLICATIONS**

Fintie Case for AirPods, announced Aug. 29, 2016 [online]. [Site visited Mar. 4, 2021]. Available from internet, URL: <https://www.amazon.com/Fintie-Protective-Portable-Keychain-Charging/dp/B0725RJLM1/> (Year: 2016).\*  
Encased AirPods Case Leather, Jan. 31, 2018 [online]. [Site visited Mar. 4, 2021]. Available from internet, URL: <https://www.amazon.com/AirPods-Carrying-Case-Compatible-Apple-Air/dp/B079H554KZ/> (Year: 2018).\*  
Burberry's Brown Leopard Print Leather Airpods Case, announced Dec. 19, 2019 [online]. [Site visited Mar. 4, 2021]. Available from internet, URL: <https://hypebae.com/2019/12/burberry-apple-airpods-case-brown-leopard-print-leather-gold-tech-accessories/> (Year: 2019).\*

\* cited by examiner

*Primary Examiner* — Kevin K Rudzinski  
*Assistant Examiner* — Amber J Rabie

(74) *Attorney, Agent, or Firm* — Rothwell, Figg, Ernst & Manbeck, P.C.

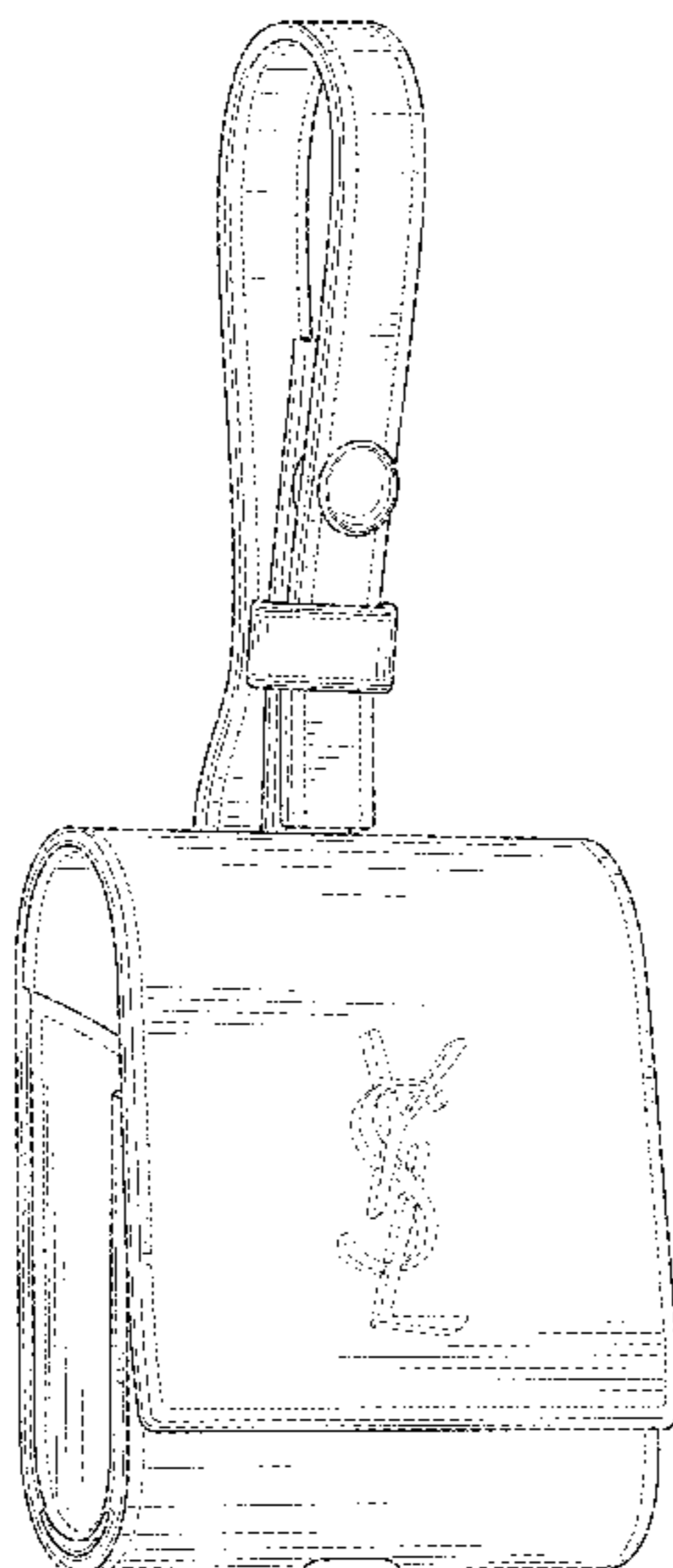
(57) **CLAIM**

The ornamental design for an earbud holder, as shown and described.

**DESCRIPTION**

FIG. 1 is a perspective view of an earbud holder showing my new design;  
FIG. 2 is a front view thereof;  
FIG. 3 is a rear view thereof;  
FIG. 4 is a right side view thereof;  
FIG. 5 is a left side view thereof;  
FIG. 6 is a top view thereof; and,  
FIG. 7 is a bottom view thereof.  
The YSL logo shown in broken lines on the front of the earbud holder forms no part of the claimed design.  
The portions of the earbud holder shown in broken lines represent thread stitching and do form a part of the claimed design.

**1 Claim, 5 Drawing Sheets**



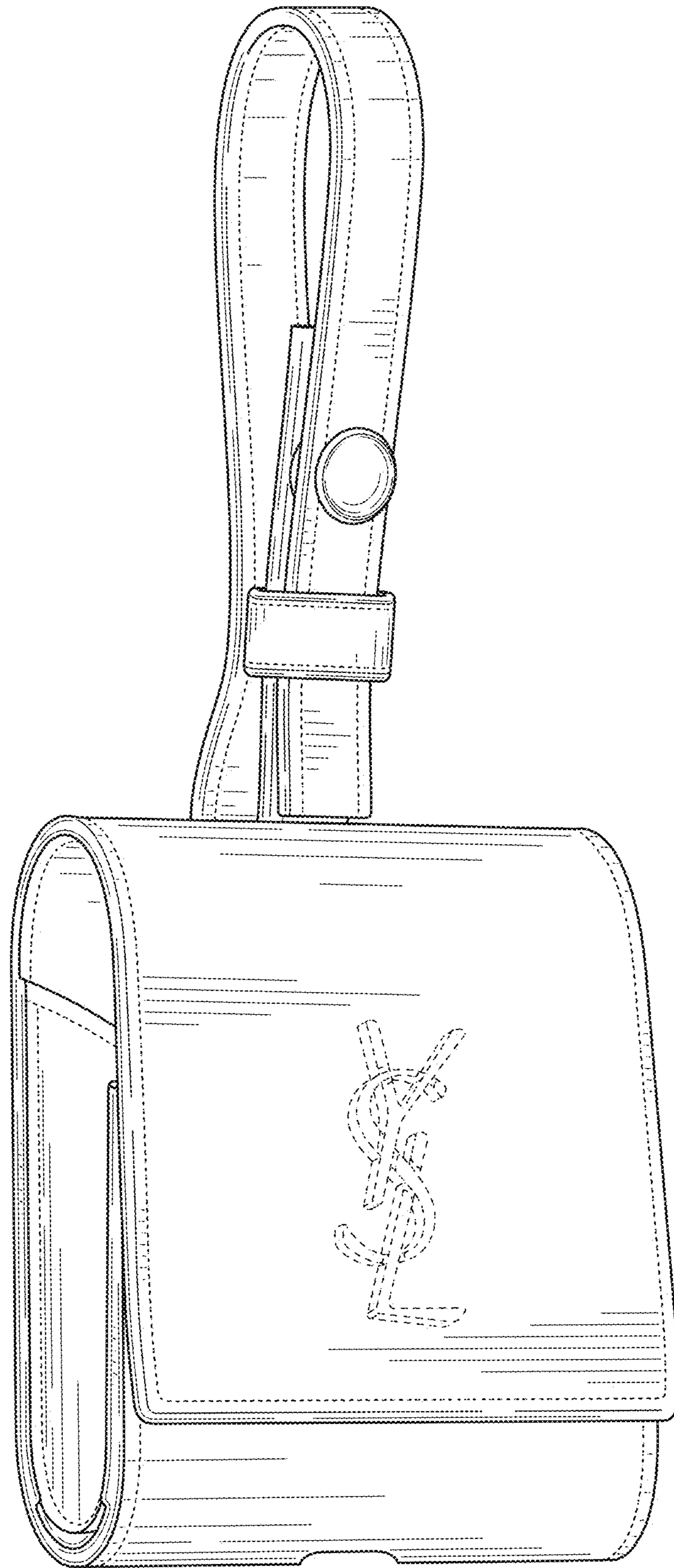


FIG. 1

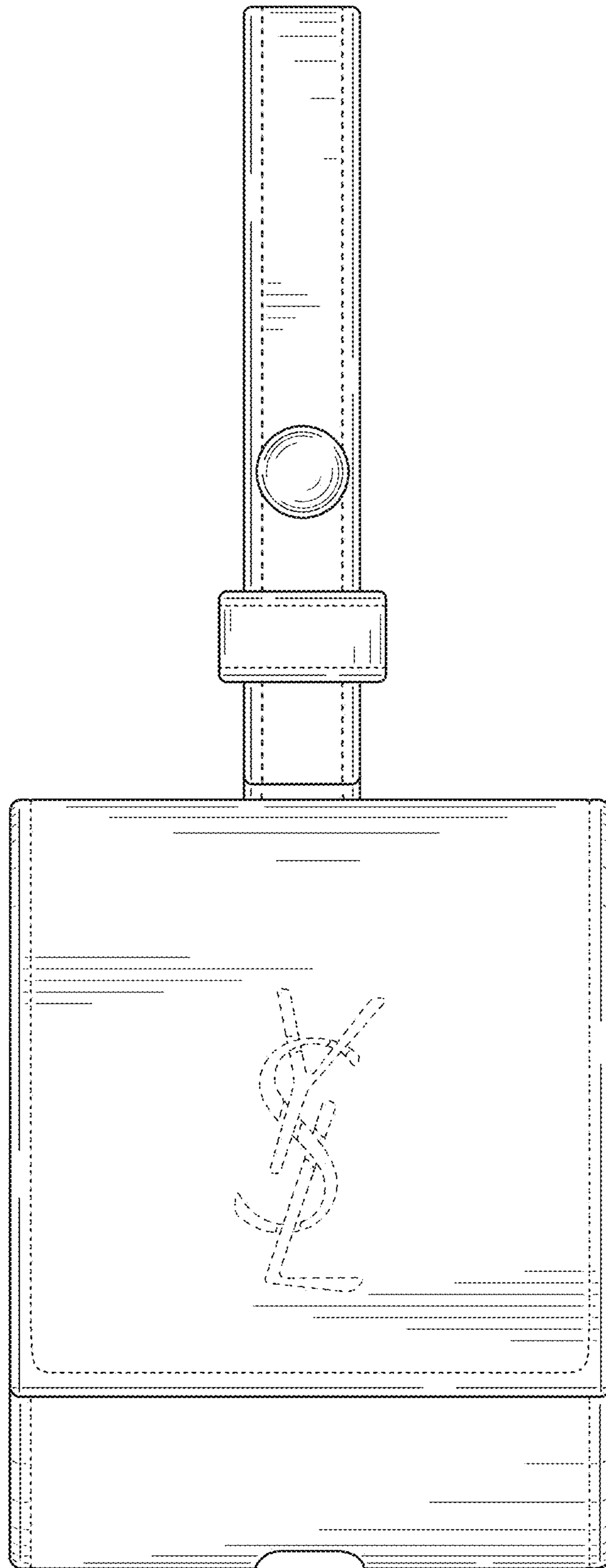


FIG. 2

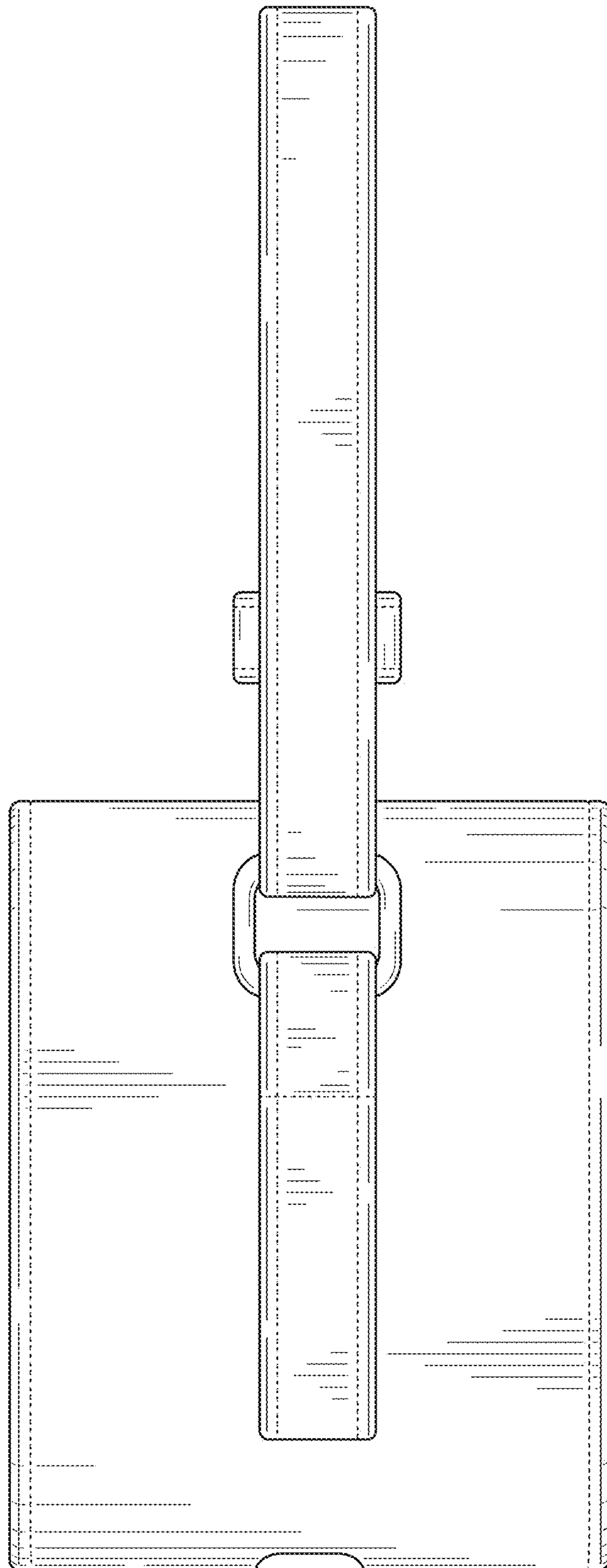


FIG. 3



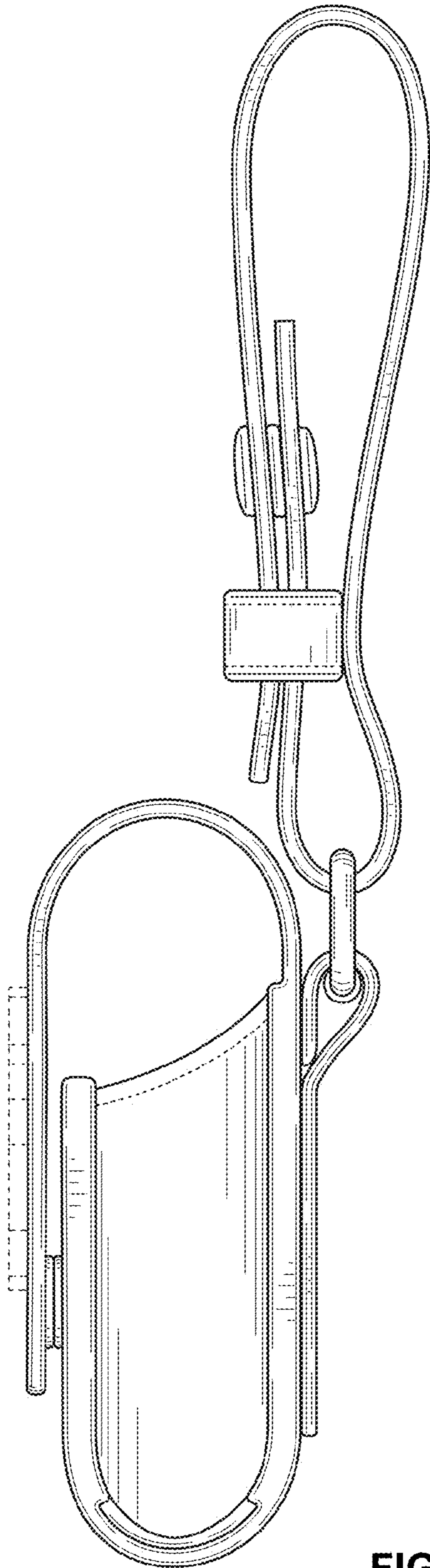


FIG. 4

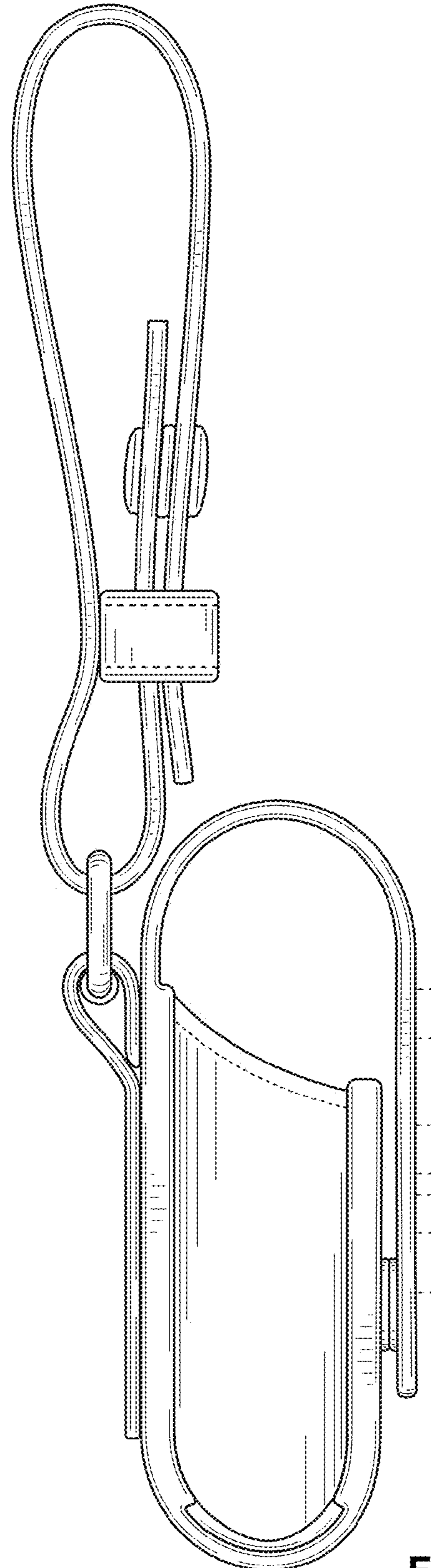


FIG. 5

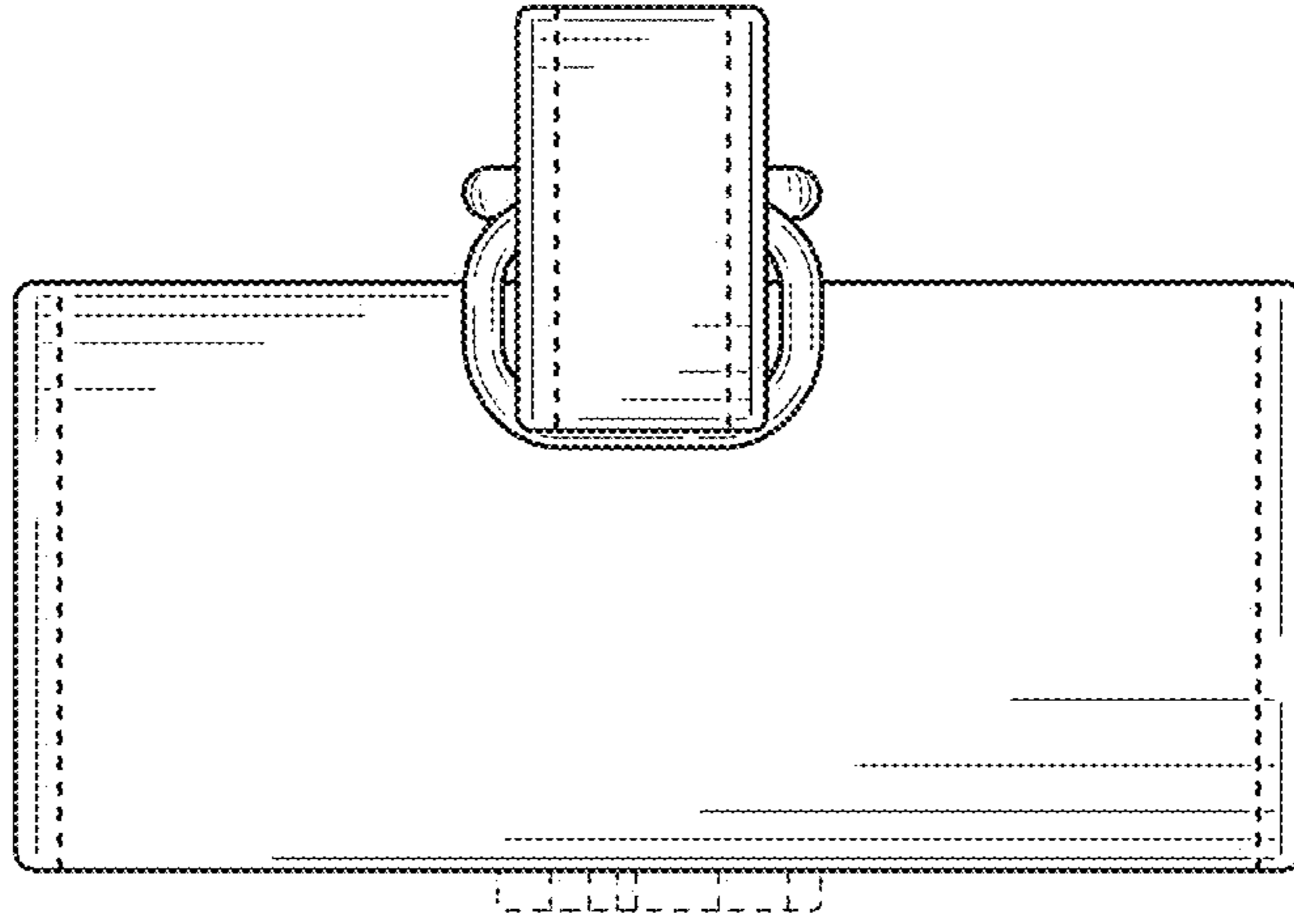


FIG. 6

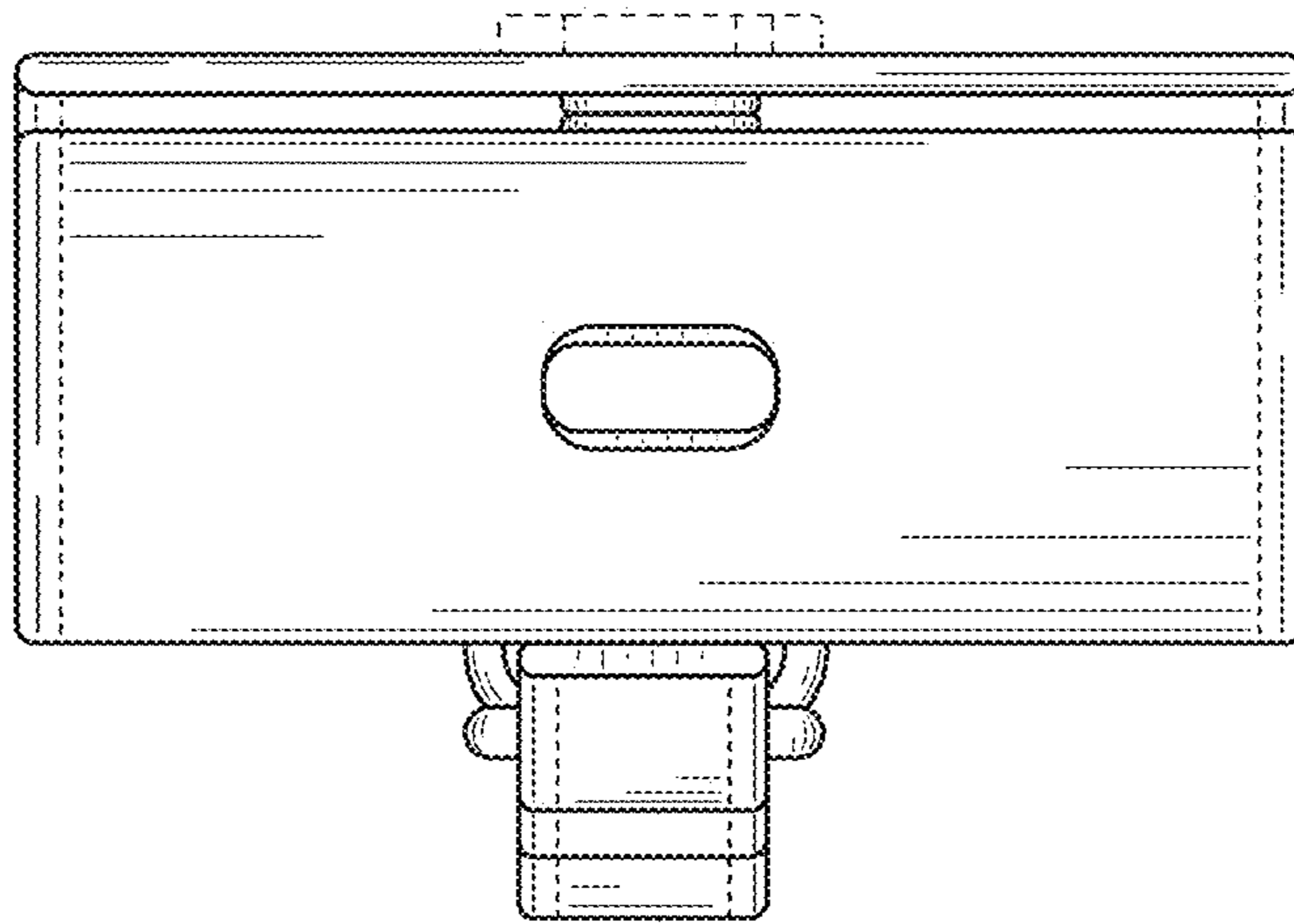


FIG. 7