



US00D959831S

(12) **United States Design Patent**
Feng

(10) **Patent No.:** **US D959,831 S**

(45) **Date of Patent:** **** Aug. 9, 2022**

(54) **PROTECTIVE CASE FOR EARPHONE**

D912,390 S * 3/2021 Hyun D3/273
D914,603 S * 3/2021 Wang D3/321
D914,604 S * 3/2021 Wang D3/321

(71) Applicant: **YANGJIANG NALI TRADING CO., LTD.**, Yangjiang (CN)

(72) Inventor: **Mou Feng**, Yangjiang (CN)

(73) Assignee: **YANGJIANG NALI TRADING CO., LTD.**, Yangjiang (CN)

(**) Term: **15 Years**

(21) Appl. No.: **29/799,790**

(22) Filed: **Jul. 16, 2021**

(51) **LOC (13) Cl.** **03-01**

(52) **U.S. Cl.**
USPC **D3/294**

(58) **Field of Classification Search**
USPC D3/207, 212, 273, 294, 302
CPC A45C 2011/001
See application file for complete search history.

(56) **References Cited**

U.S. PATENT DOCUMENTS

D569,616 S * 5/2008 Lin D3/273
D599,112 S * 9/2009 Wenchel D3/905
D821,306 S * 6/2018 Liu D13/107
D869,147 S * 12/2019 Lian D3/273
D886,445 S * 6/2020 Hyun D3/273
D887,140 S * 6/2020 Hyun D13/103
D895,287 S * 9/2020 Hyun D13/103
D895,288 S * 9/2020 Hyun D13/103
D902,854 S 11/2020 Feng
D904,765 S * 12/2020 Hyun D13/103
D907,048 S * 1/2021 Wang D14/440
D911,711 S * 3/2021 Feng D3/294

OTHER PUBLICATIONS

Spigen Tough Armor, announced Oct. 28, 2019 [online], [site visited Jun. 7, 2022]. Available from internet, URL: <https://www.amazon.ca/Spigen-Tough-Armor-Designed-Airpods/dp/B07ZPG9W34/?th=1> (Year: 2019).*

Choiliam AirPod Pro Case, announced Jan. 30, 2021 [online], [site visited Jun. 7, 2022]. Available from internet, URL: <https://www.amazon.ca/dp/B08VGMM244/?th=1> (Year: 2021).*

* cited by examiner

Primary Examiner — Kevin K Rudzinski

Assistant Examiner — Amber J Rabie

(74) *Attorney, Agent, or Firm* — Jinggao Li

(57) **CLAIM**

The ornamental design for a protective case for earphone, as shown and described.

DESCRIPTION

FIG. 1 is a perspective view of a protective case for earphone showing my new design;

FIG. 2 is a front view thereof;

FIG. 3 is a rear view thereof;

FIG. 4 is a left side view thereof;

FIG. 5 is a right side view thereof;

FIG. 6 is a top plan view thereof;

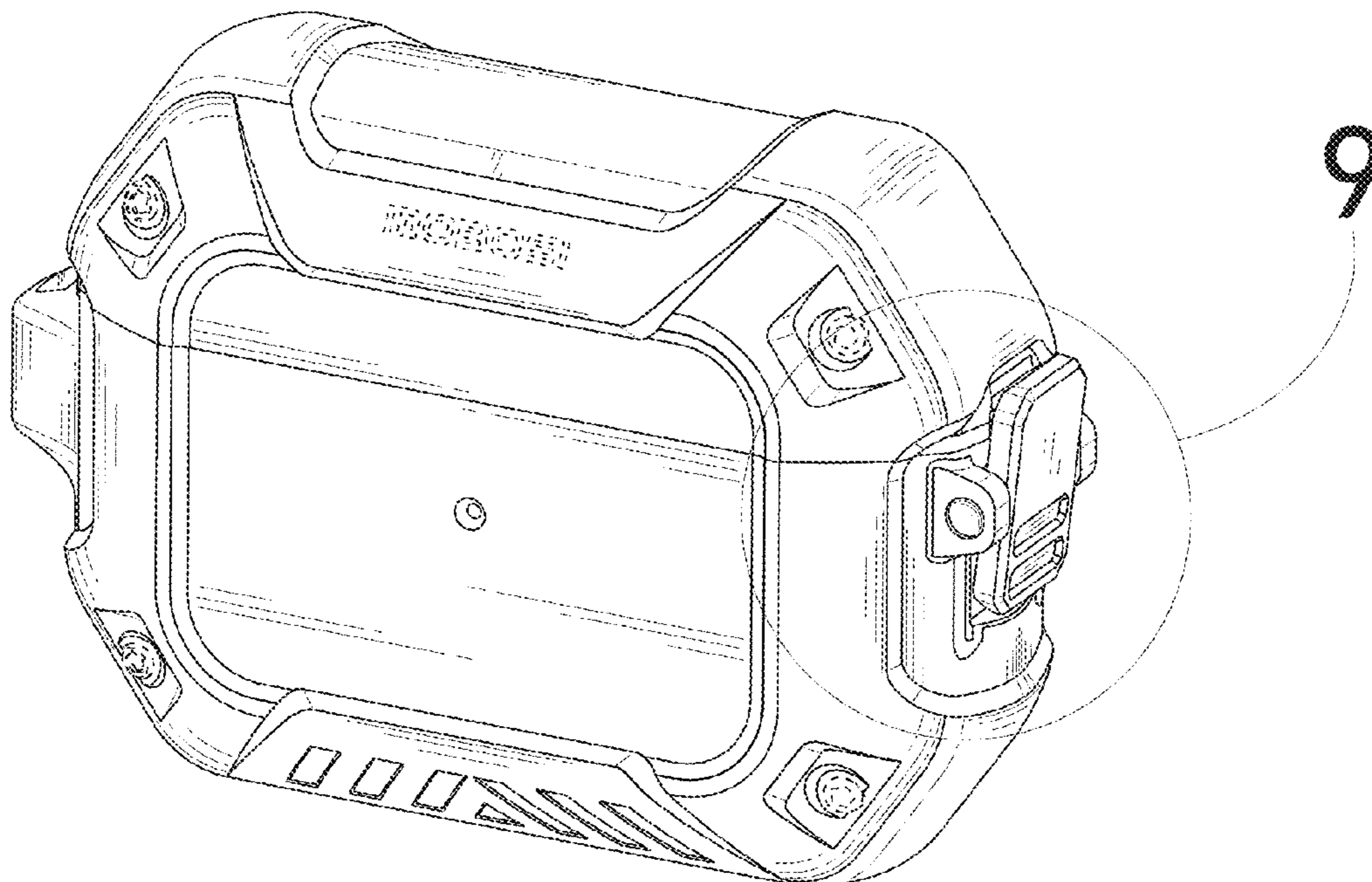
FIG. 7 is a bottom plan view thereof;

FIG. 8 is a perspective view thereof in a use state; and,

FIG. 9 is an enlarged view of portion 9 shown in FIG. 1.

The broken lines depict portions of the protective case for earphone and form no part of the claimed design.

1 Claim, 9 Drawing Sheets



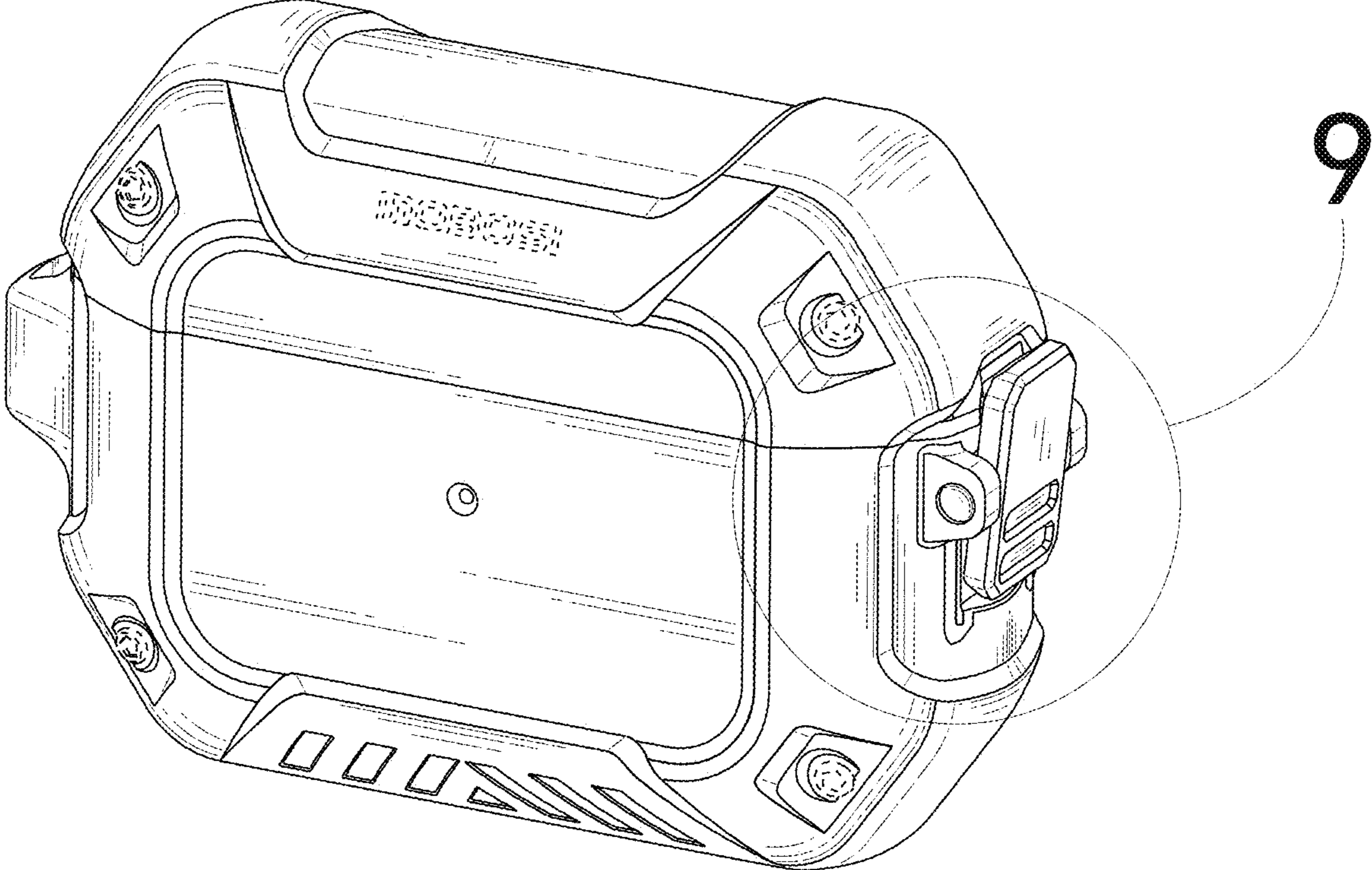


FIG. 1

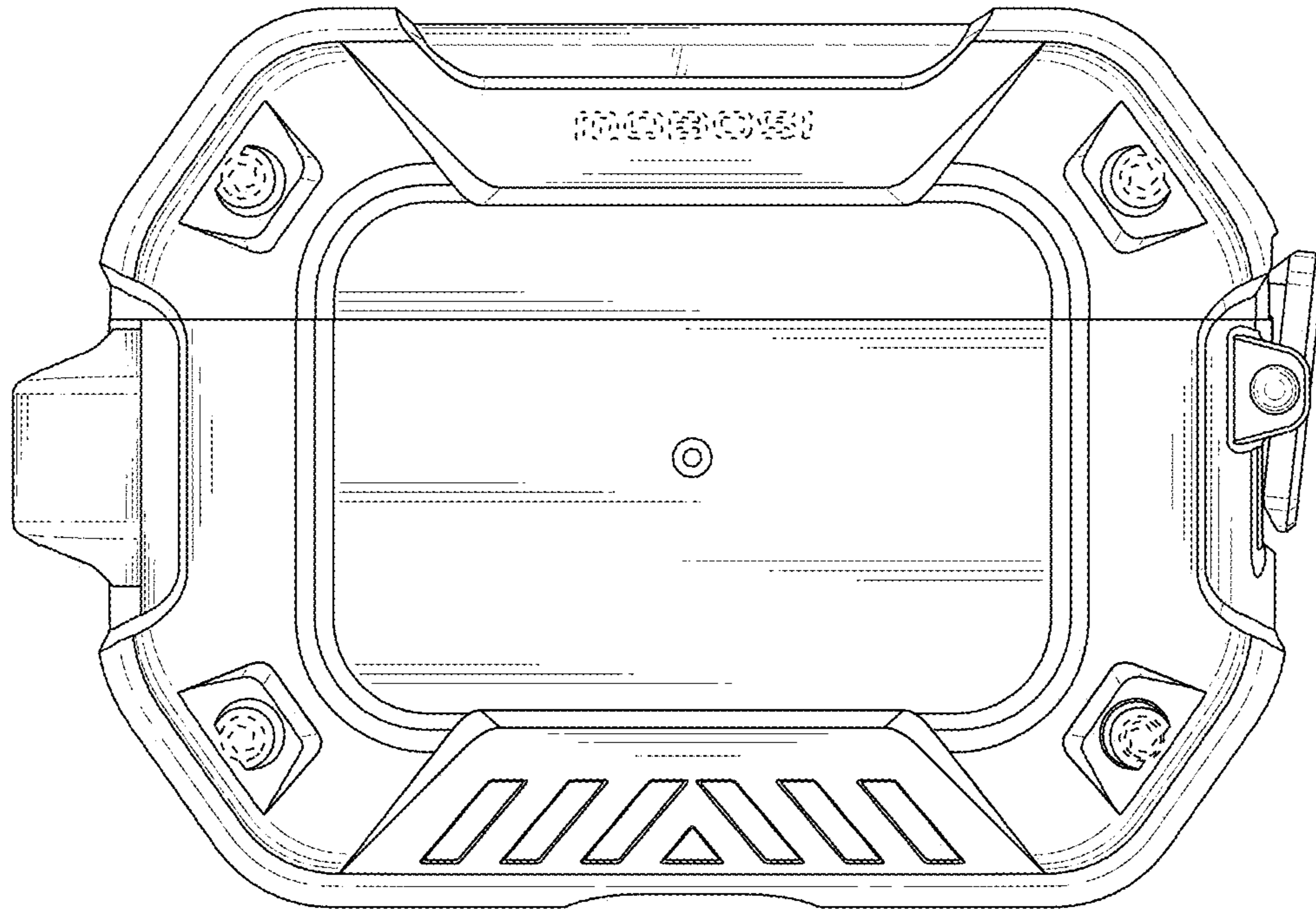


FIG. 2

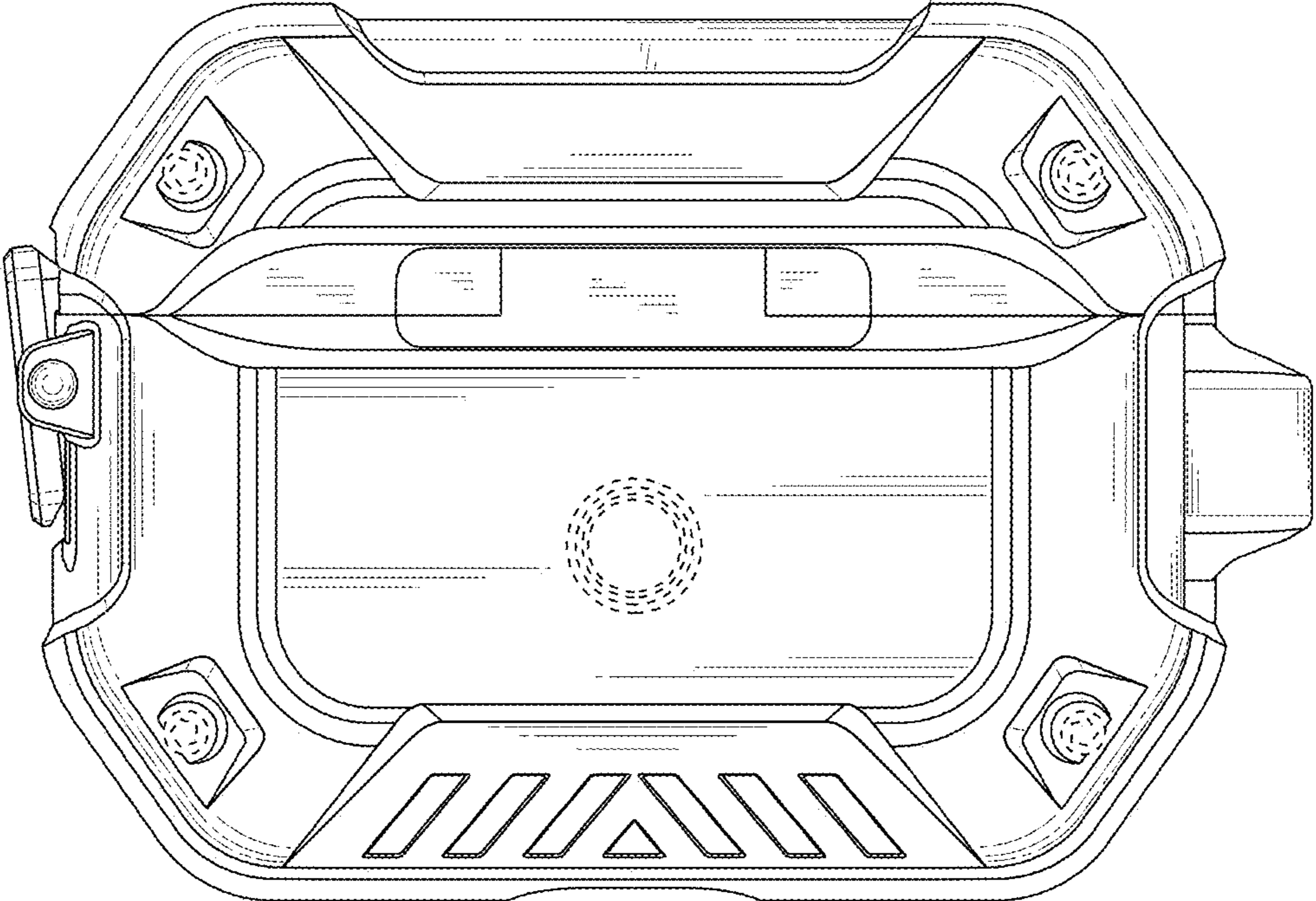


FIG. 3

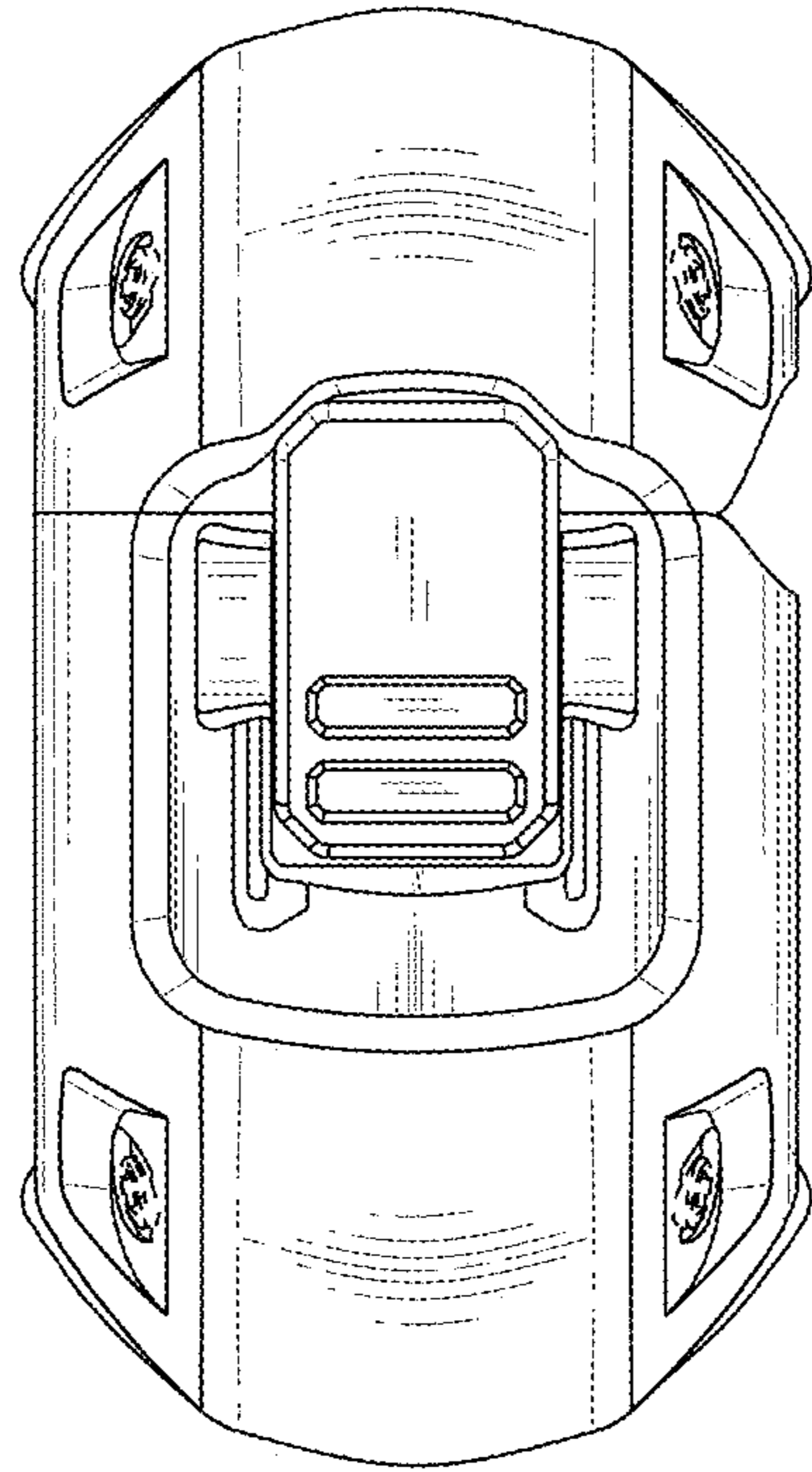


FIG. 4

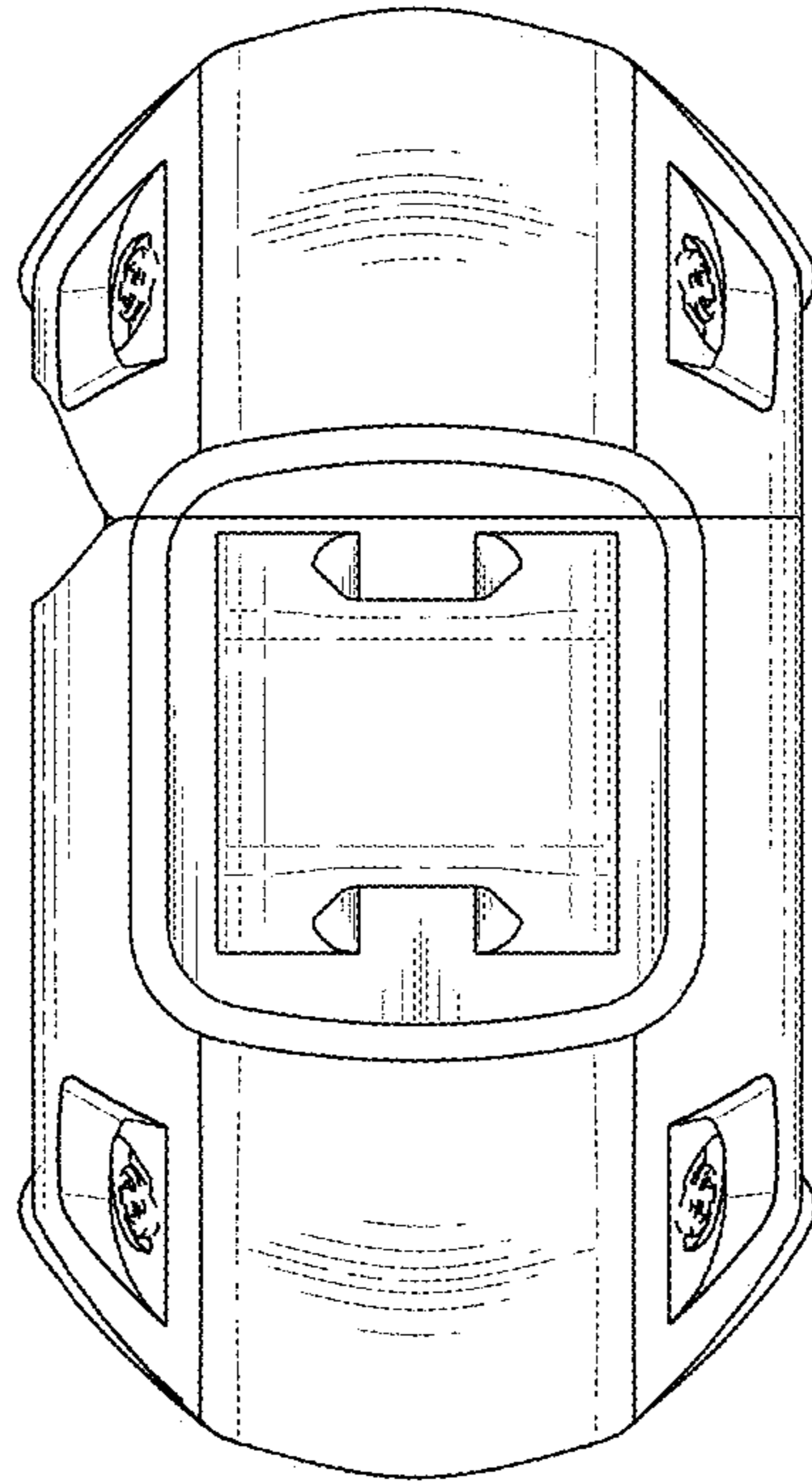


FIG. 5

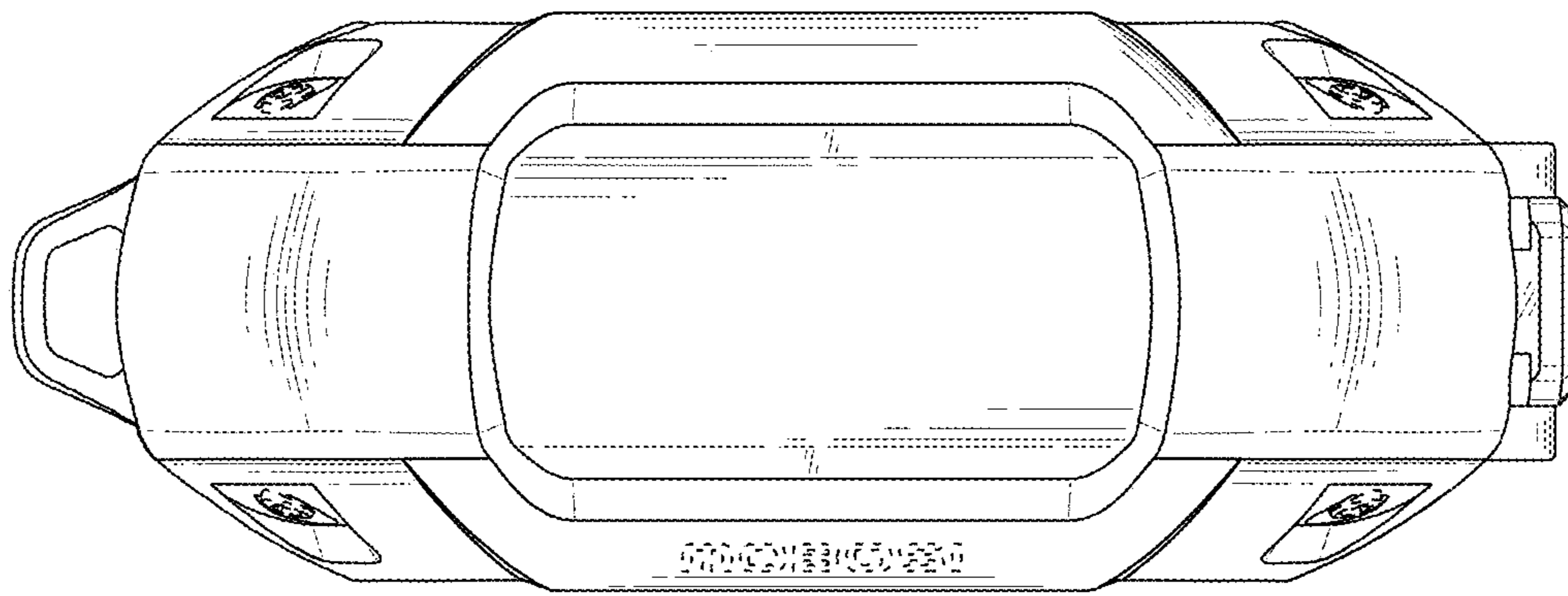


FIG. 6

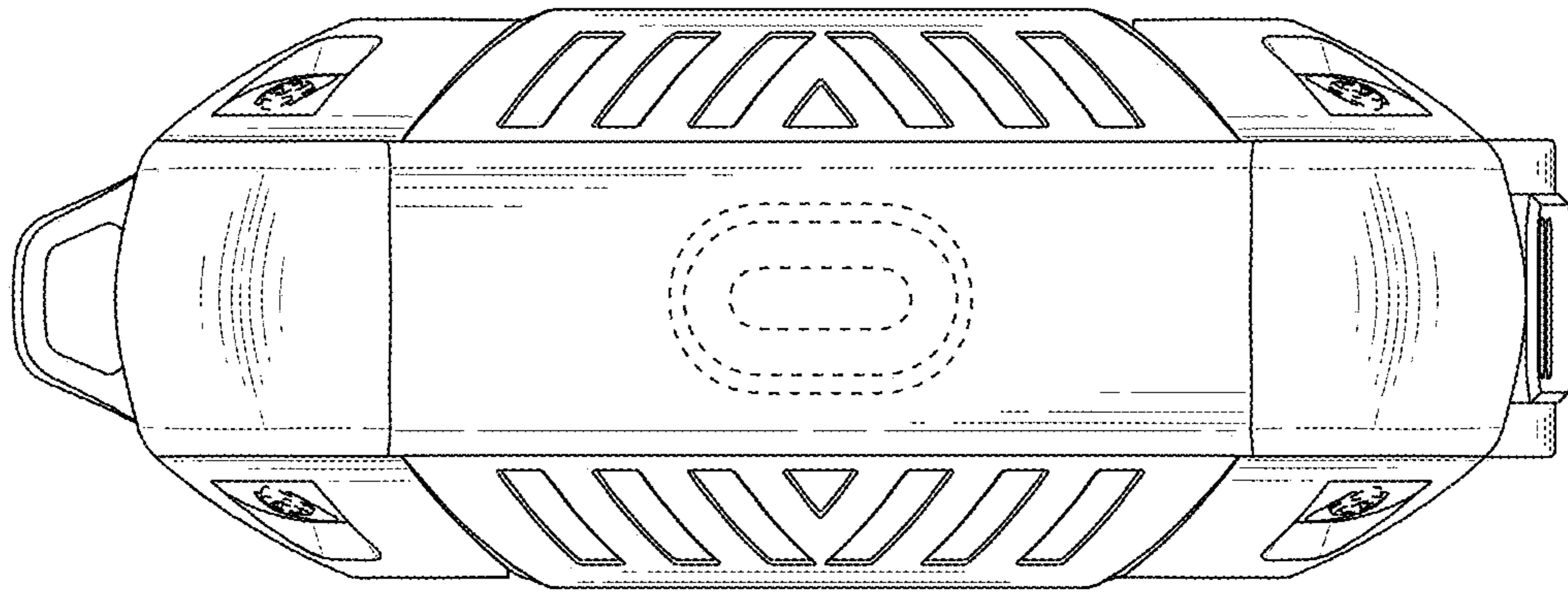


FIG. 7

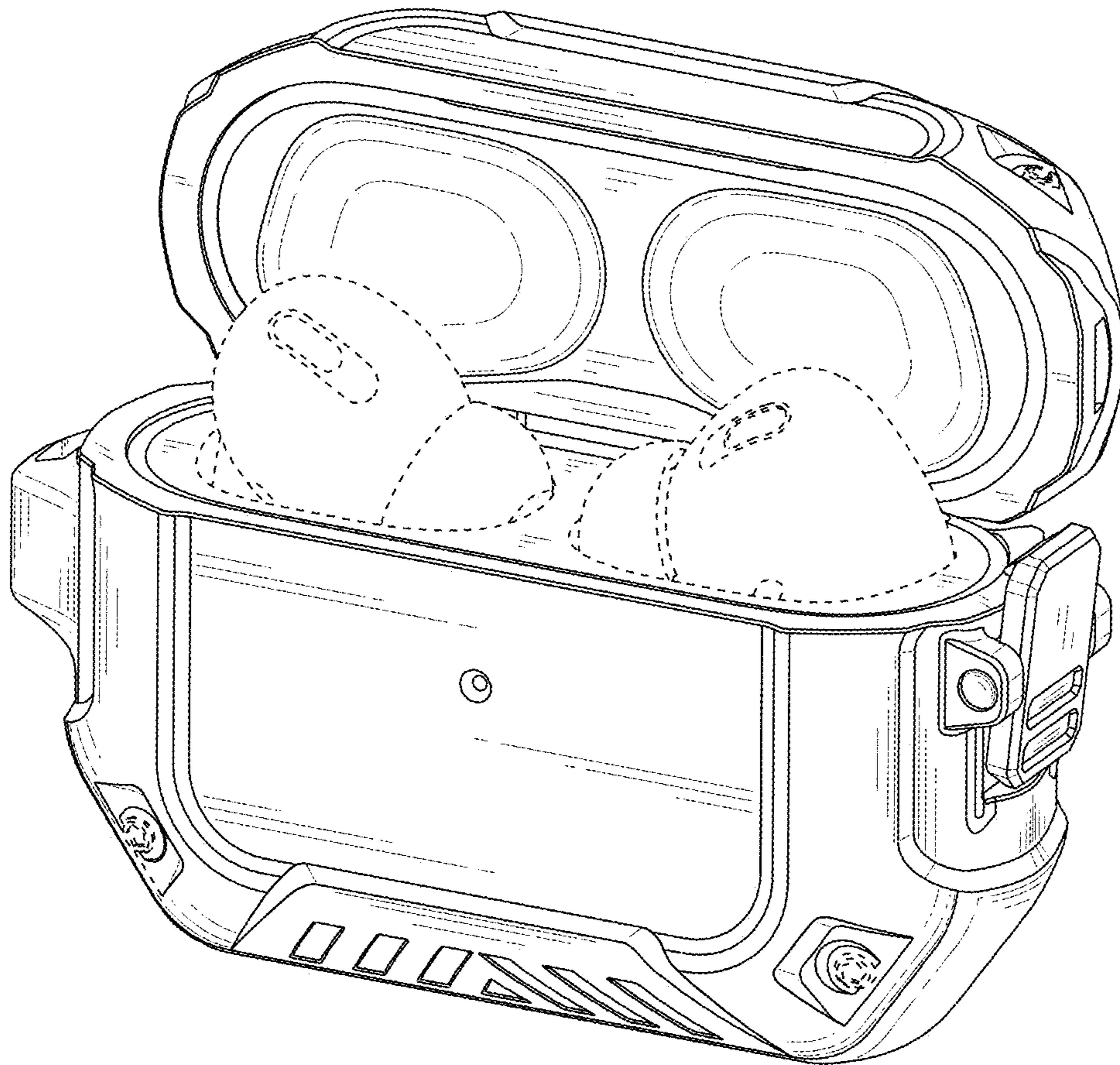


FIG. 8

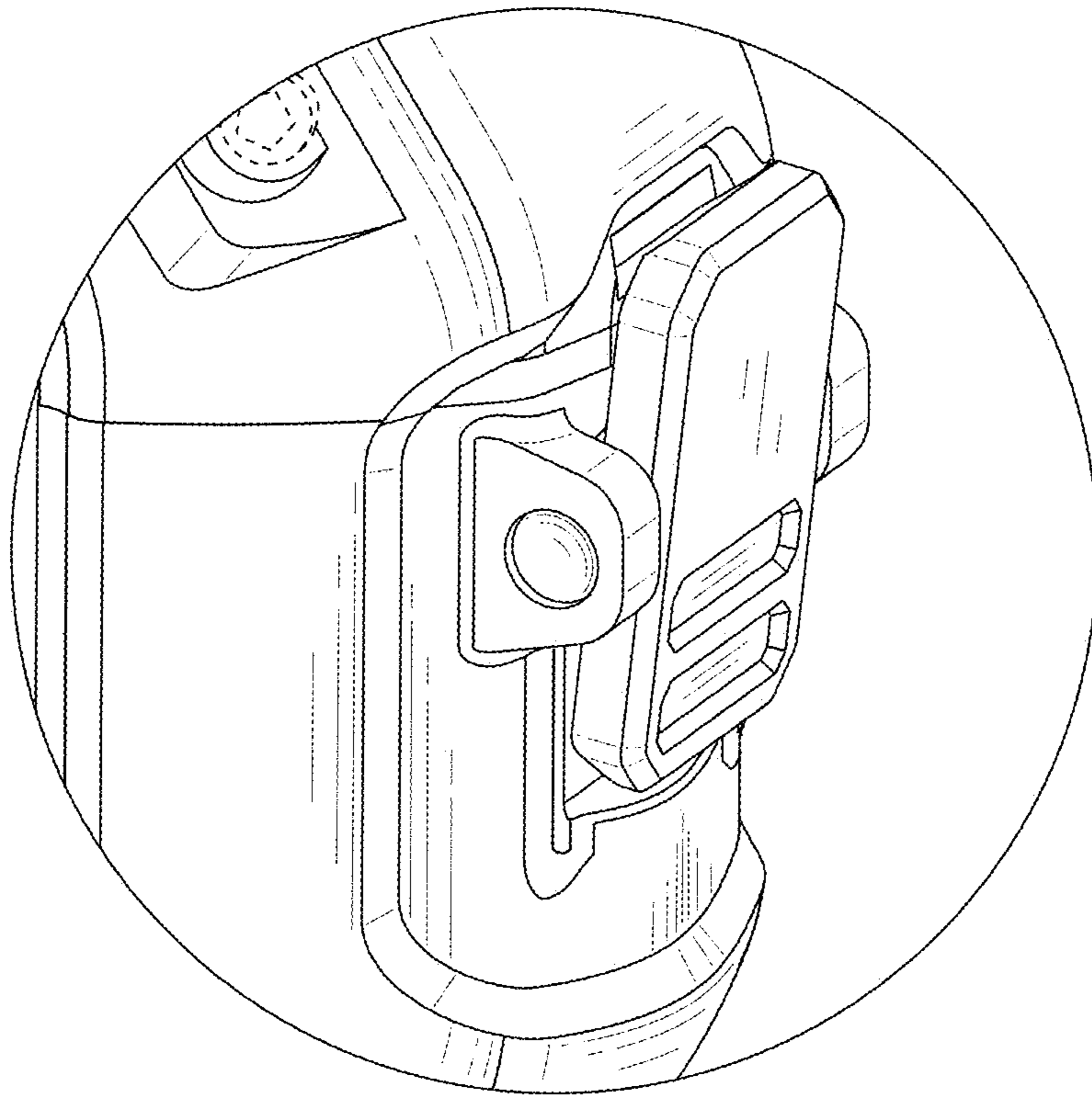


FIG. 9