



US00D959829S

(12) **United States Design Patent** (10) **Patent No.:** **US D959,829 S**  
**Bhopale** (45) **Date of Patent:** **\*\* Aug. 9, 2022**

(54) **TOTE**  
(71) Applicant: **Kelly Bhopale**, New York, NY (US)  
(72) Inventor: **Kelly Bhopale**, New York, NY (US)  
(\*\*) Term: **15 Years**  
(21) Appl. No.: **29/810,250**  
(22) Filed: **Oct. 4, 2021**

D717,544 S 11/2014 Wang et al.  
D745,268 S 12/2015 Slimane  
D776,927 S \* 1/2017 Duvigneau ..... D3/306  
(Continued)

**FOREIGN PATENT DOCUMENTS**

CN 305437069 S 11/2019

**OTHER PUBLICATIONS**

Michael Michael Kors Mercer Medium Accordton Convertible Tote announced Aug. 9, 2019 [online], [site visited Mar. 13, 2021], available from internet. URL: <<https://www.amazon.com/MICHAEL-Michael-Kors-Accordion-Leather/dp/B07QJWFKFT/>> (Year:2019).  
(Continued)

*Primary Examiner* — Kevin K Rudzinski  
*Assistant Examiner* — Amber J Rabie  
(74) *Attorney, Agent, or Firm* — Amster, Rothstein & Ebenstein LLP

(57) **CLAIM**  
The ornamental design for a tote, as shown and described.

**DESCRIPTION**

FIG. 1 is a perspective view of a tote showing my new design;  
FIG. 2 is a front view thereof;  
FIG. 3 is a back view thereof;  
FIG. 4 is a left side view thereof;  
FIG. 5 is a right side view thereof;  
FIG. 6 is a top view thereof; and,  
FIG. 7 is a bottom view thereof.  
The broken lines in FIGS. 1-7 outlining a tag attached to the tote, all of the buckles of the tote, the handles of the tote, and the side straps of the tote indicate that those elements form no part of the claimed design. The broken lines on the main body of the tote illustrate stitching and form part of the claim.

**1 Claim, 7 Drawing Sheets**

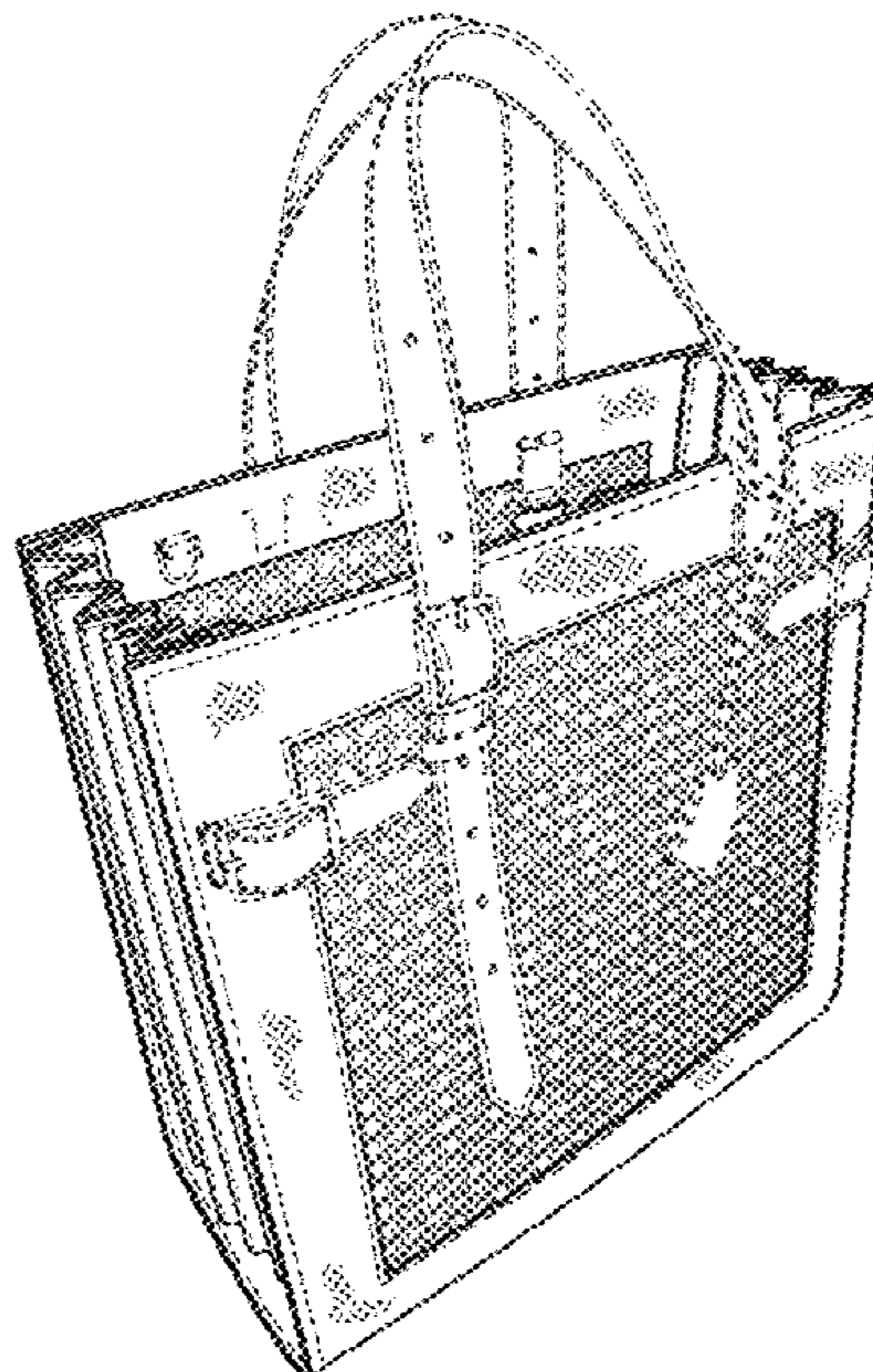
**Related U.S. Application Data**

(63) Continuation of application No. 29/724,012, filed on Feb. 12, 2020.  
(51) **LOC (13) Cl.** ..... **03-01**  
(52) **U.S. Cl.**  
USPC ..... **D3/232**  
(58) **Field of Classification Search**  
USPC ..... D3/201, 232, 276, 277, 306, 307  
CPC ..... A45C 3/02  
See application file for complete search history.

(56) **References Cited**

**U.S. PATENT DOCUMENTS**

135,990 A 2/1873 King  
1,090,553 A 3/1914 Mashek  
1,863,270 A 6/1932 Goldsmith  
D104,070 S 4/1937 Lewis  
D104,075 S \* 4/1937 Lewis ..... D3/243  
2,840,437 A 6/1958 Cohen  
D216,062 S \* 11/1969 Domingo ..... 294/170  
D218,374 S \* 8/1970 Kuroda ..... D3/303  
D456,135 S 4/2002 Shapiro  
D465,651 S 11/2002 Platte, III  
D562,555 S \* 2/2008 Shapiro ..... D3/900  
D569,610 S \* 5/2008 Wang ..... D3/246  
D591,506 S \* 5/2009 Yohji ..... D3/245  
7,644,857 B2 1/2010 Chou  
D625,516 S \* 10/2010 Krakoff ..... D3/245



(56)

**References Cited**

U.S. PATENT DOCUMENTS

D828,022 S 9/2018 Maier  
D866,169 S 11/2019 Zeller  
2009/0026240 A1\* 1/2009 Wang ..... A45C 3/06  
383/105  
2009/0317021 A1 12/2009 Taylor  
2014/0369629 A1 12/2014 De La Fuente Lara

OTHER PUBLICATIONS

Koyaana R., Video "Find Your Fit: The Sac De Jour," Sep. 27, 2019,  
14 pages.

Sassy Rodriguez, "Saint Laurent Sac De Jour Tote Bag," Apr. 24,  
2013, 9 pages.

Bibby Sowray "Saint Laurent's Sac De Jour becomes the bag du  
jour," Oct. 17, 2013, 4 pages.

\* cited by examiner

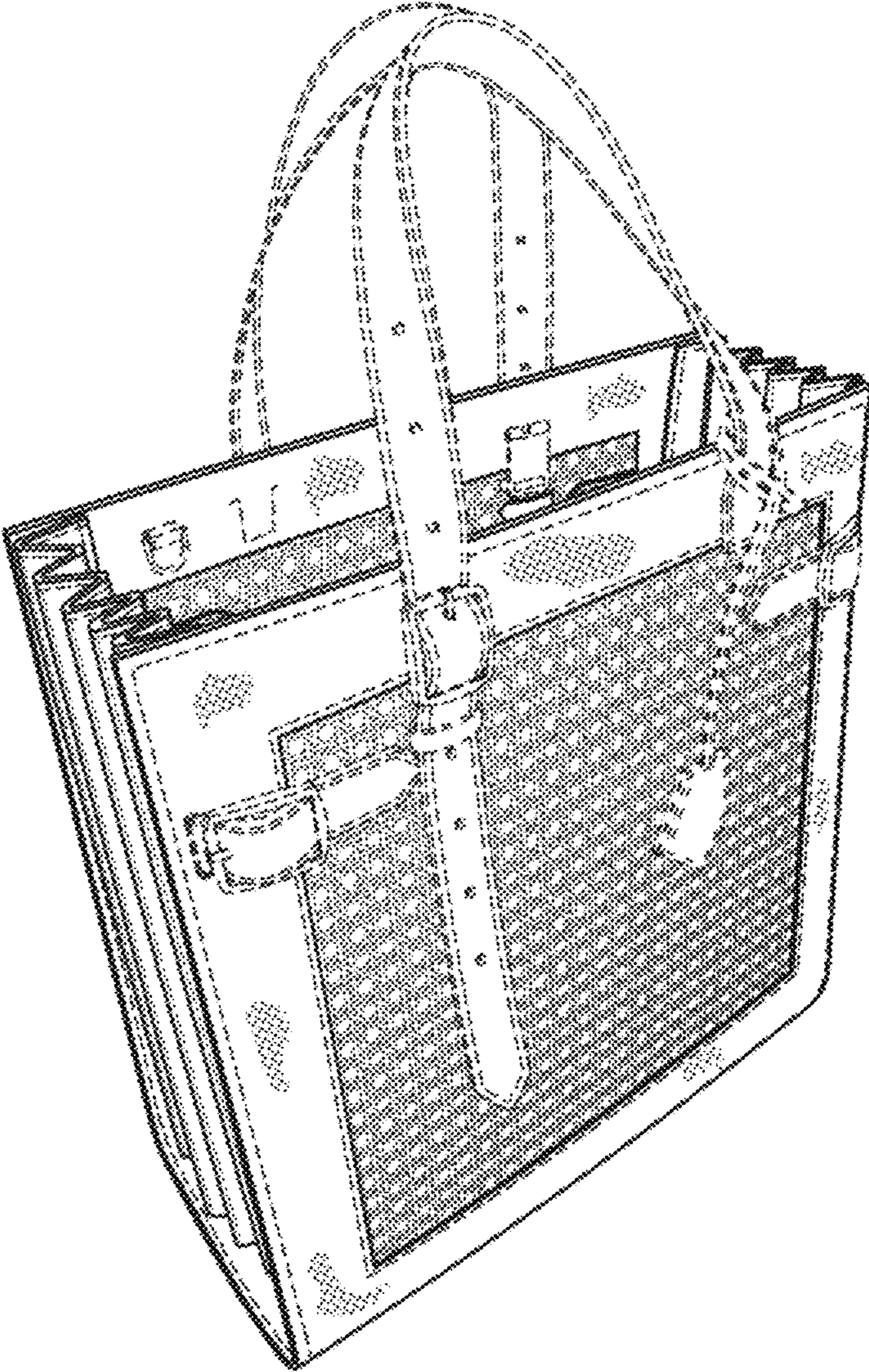


FIG. 1

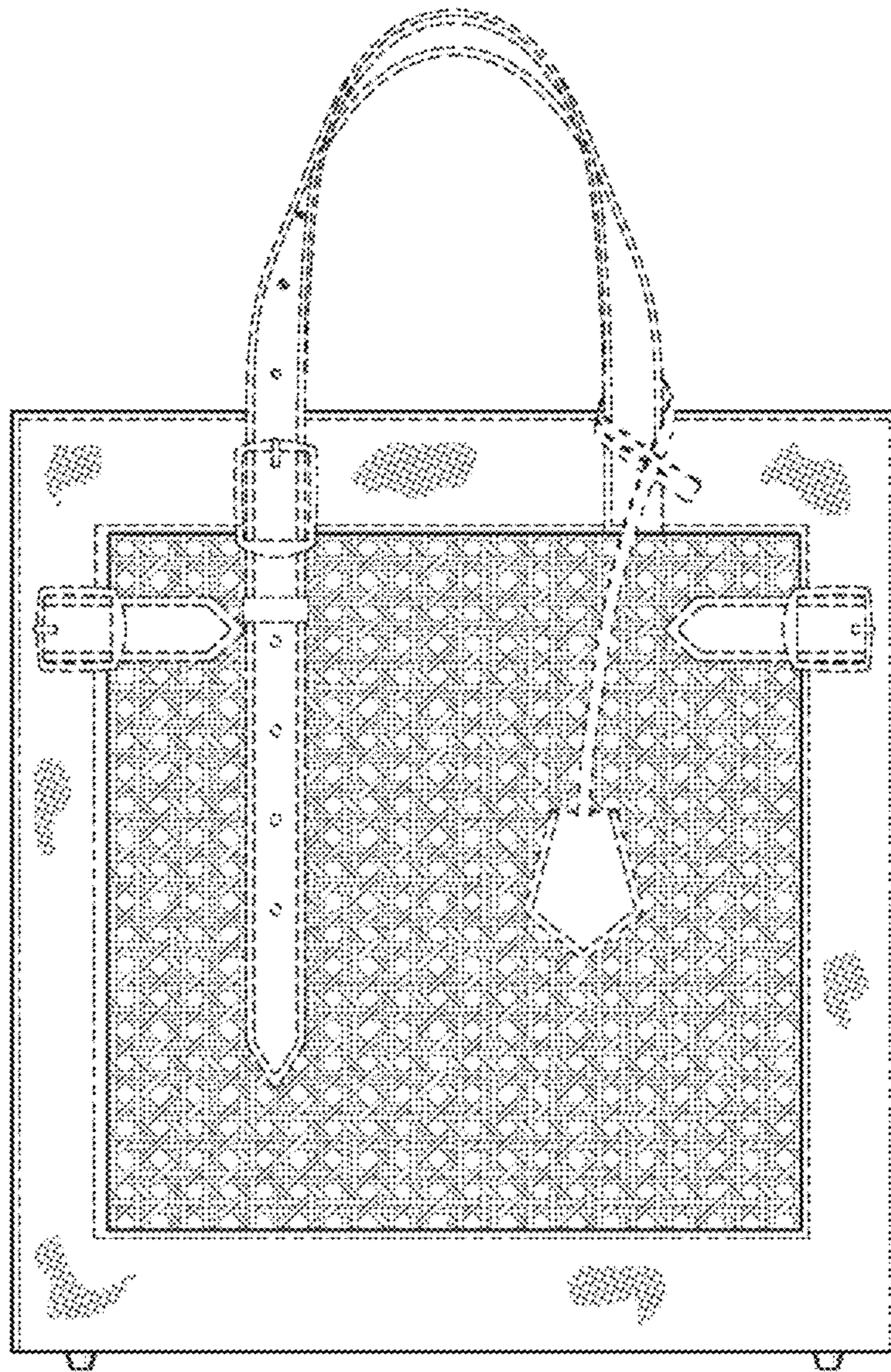


FIG. 2

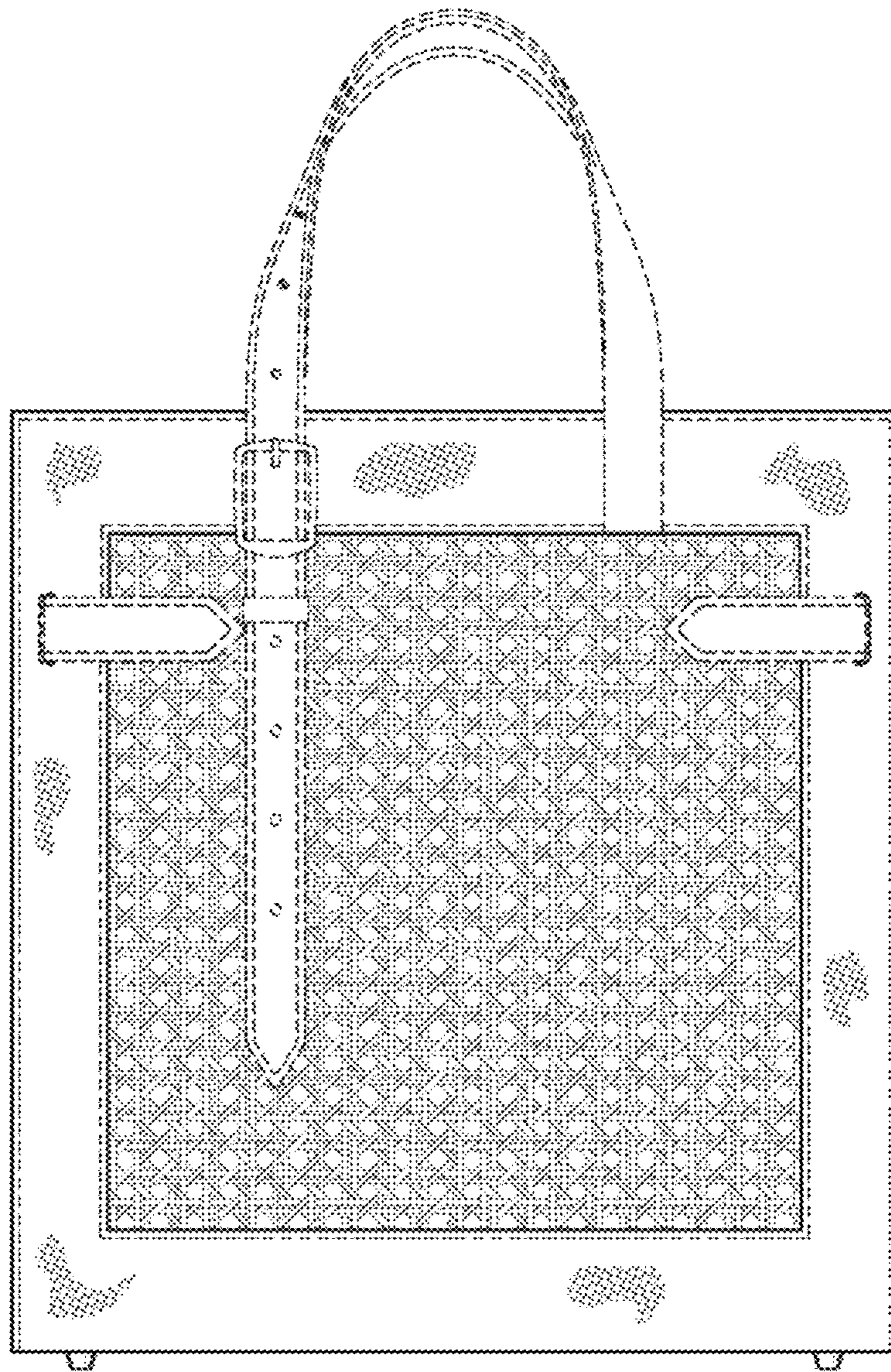


FIG. 3

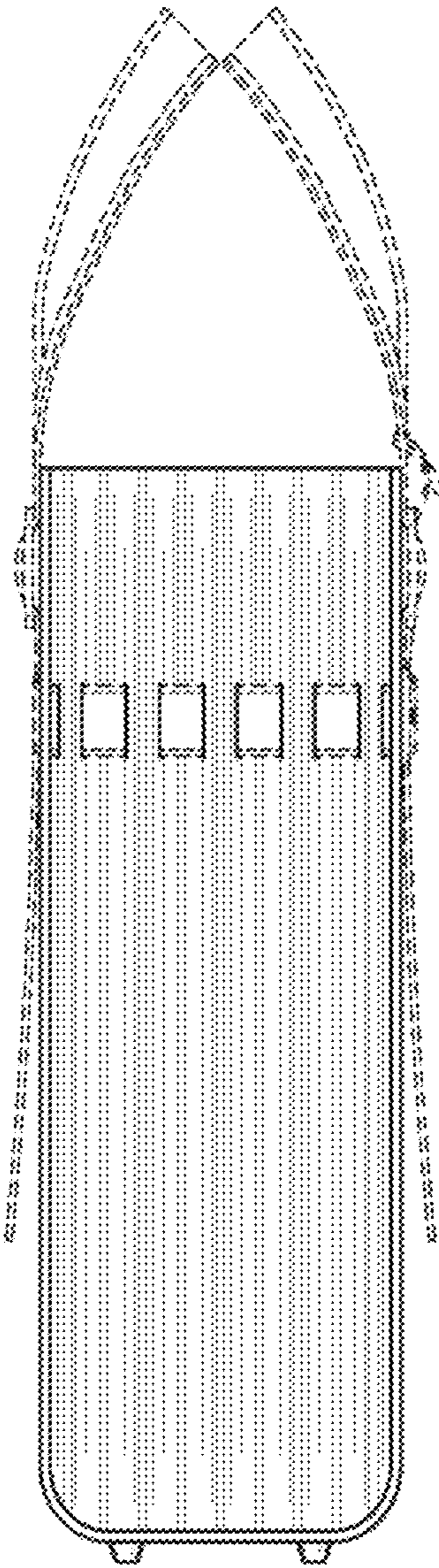


FIG. 4

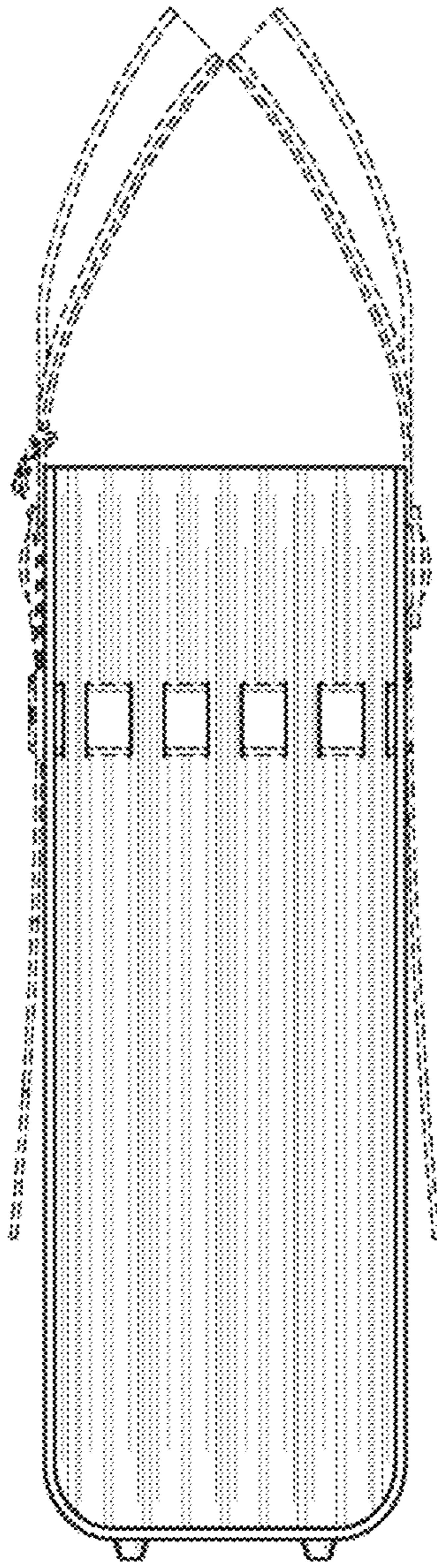


FIG. 5

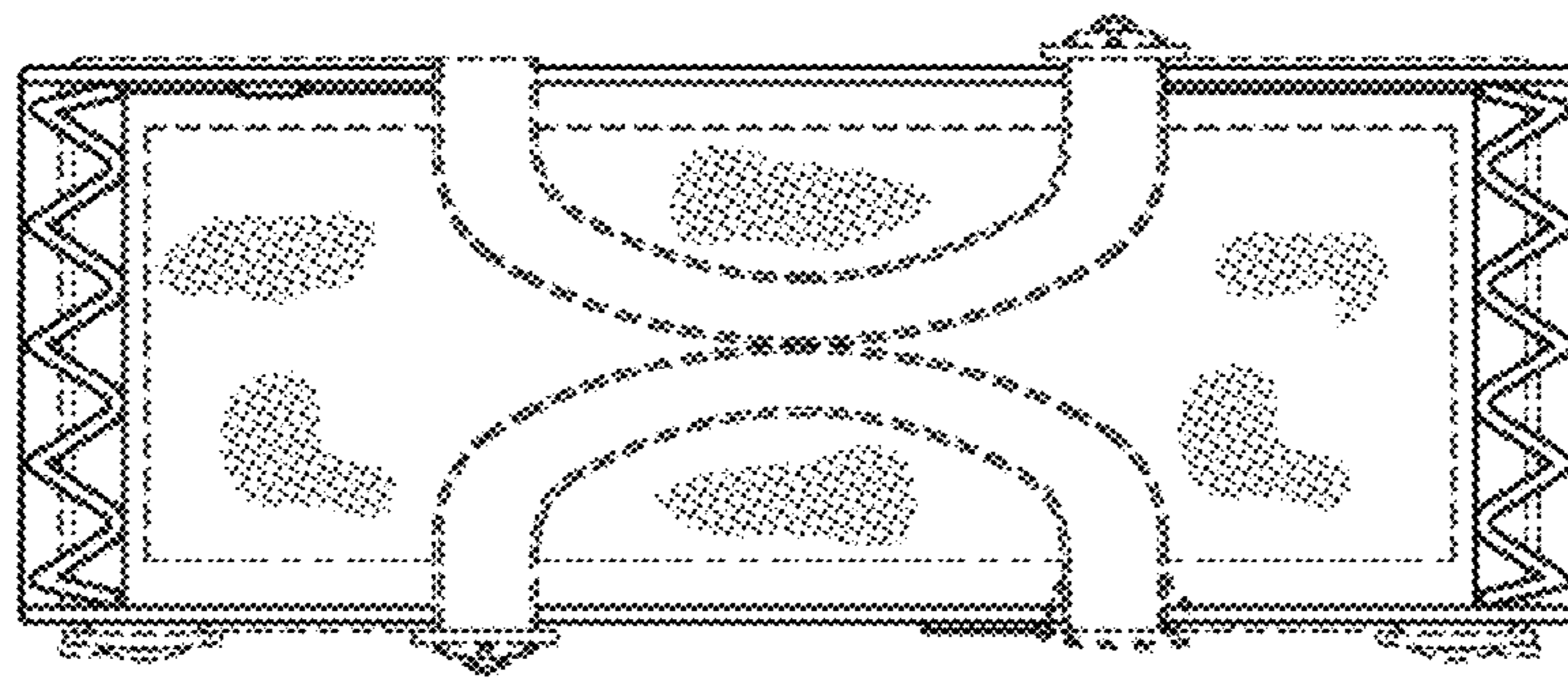


FIG. 6



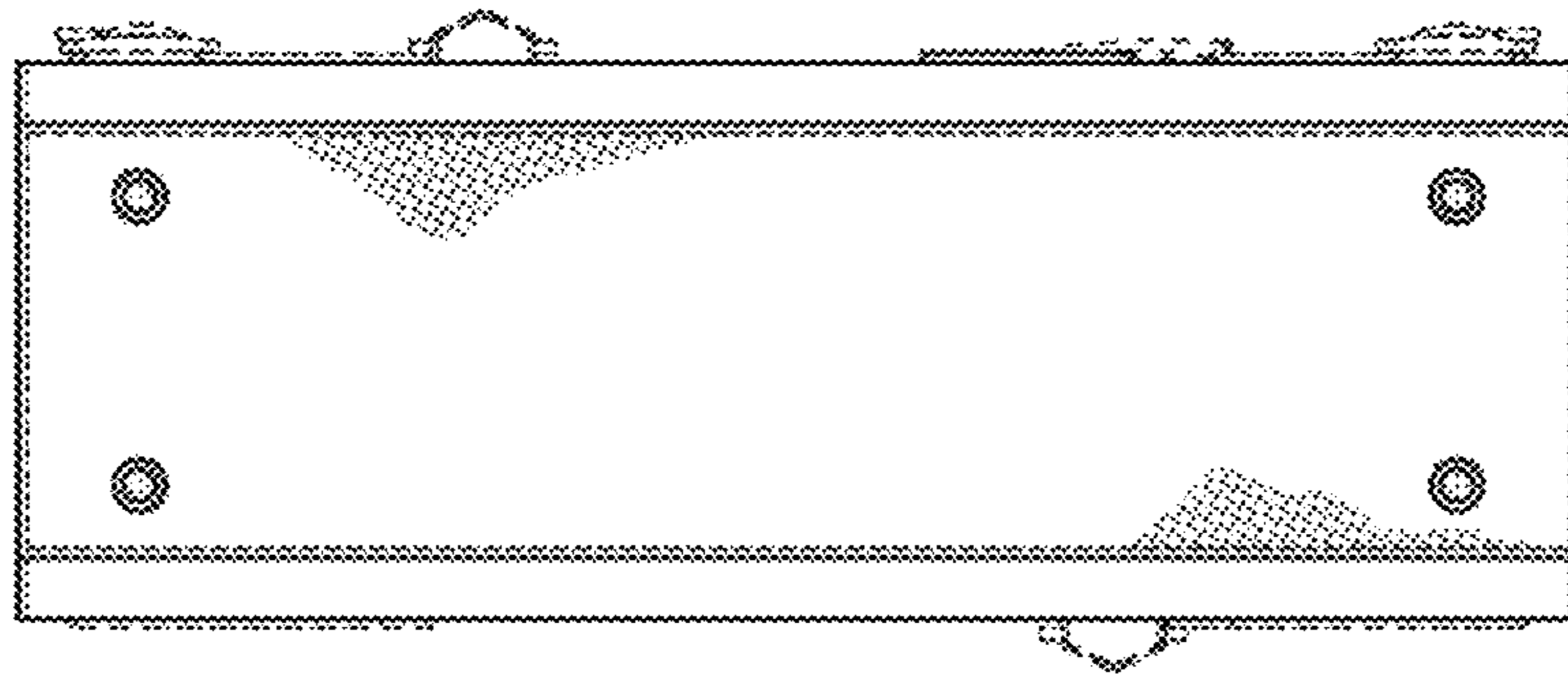


FIG. 7