



US00D959828S

(12) **United States Design Patent** (10) **Patent No.:** **US D959,828 S**
Bhopale (45) **Date of Patent:** **** Aug. 9, 2022**

- (54) **TOTE**
- (71) Applicant: **Kelly Bhopale**, New York, NY (US)
- (72) Inventor: **Kelly Bhopale**, New York, NY (US)
- (**) Term: **15 Years**
- (21) Appl. No.: **29/810,249**
- (22) Filed: **Oct. 4, 2021**

D717,544 S 11/2014 Wang et al.
 D745,268 S 12/2015 Slimane
 D776,927 S * 1/2017 Duvigneau D3/306
 (Continued)

FOREIGN PATENT DOCUMENTS

CN 305437069 S 11/2019

OTHER PUBLICATIONS

Michael Michael Kors Mercer Medium Accordion Convertible Tote announced Aug. 9, 2019 [online], [site visited Mar. 13, 2021], available from internet. URL: <<https://www.amazon.com/MICHAEL-Michael-Kors-Accordion-Leather/dp/B07QJWFKFT/>> (Year:2019).
 (Continued)

Primary Examiner — Kevin K Rudzinski
Assistant Examiner — Amber J Rabie
 (74) *Attorney, Agent, or Firm* — Amster, Rothstein & Ebenstein LLP

Related U.S. Application Data

- (63) Continuation of application No. 29/724,012, filed on Feb. 12, 2020.
- (51) **LOC (13) Cl.** **03-01**
- (52) **U.S. Cl.**
USPC **D3/232**
- (58) **Field of Classification Search**
USPC D3/201, 232, 276, 277, 306, 307
CPC A45C 3/02
See application file for complete search history.

(57) **CLAIM**
 The ornamental design for a tote, as shown and described.

DESCRIPTION

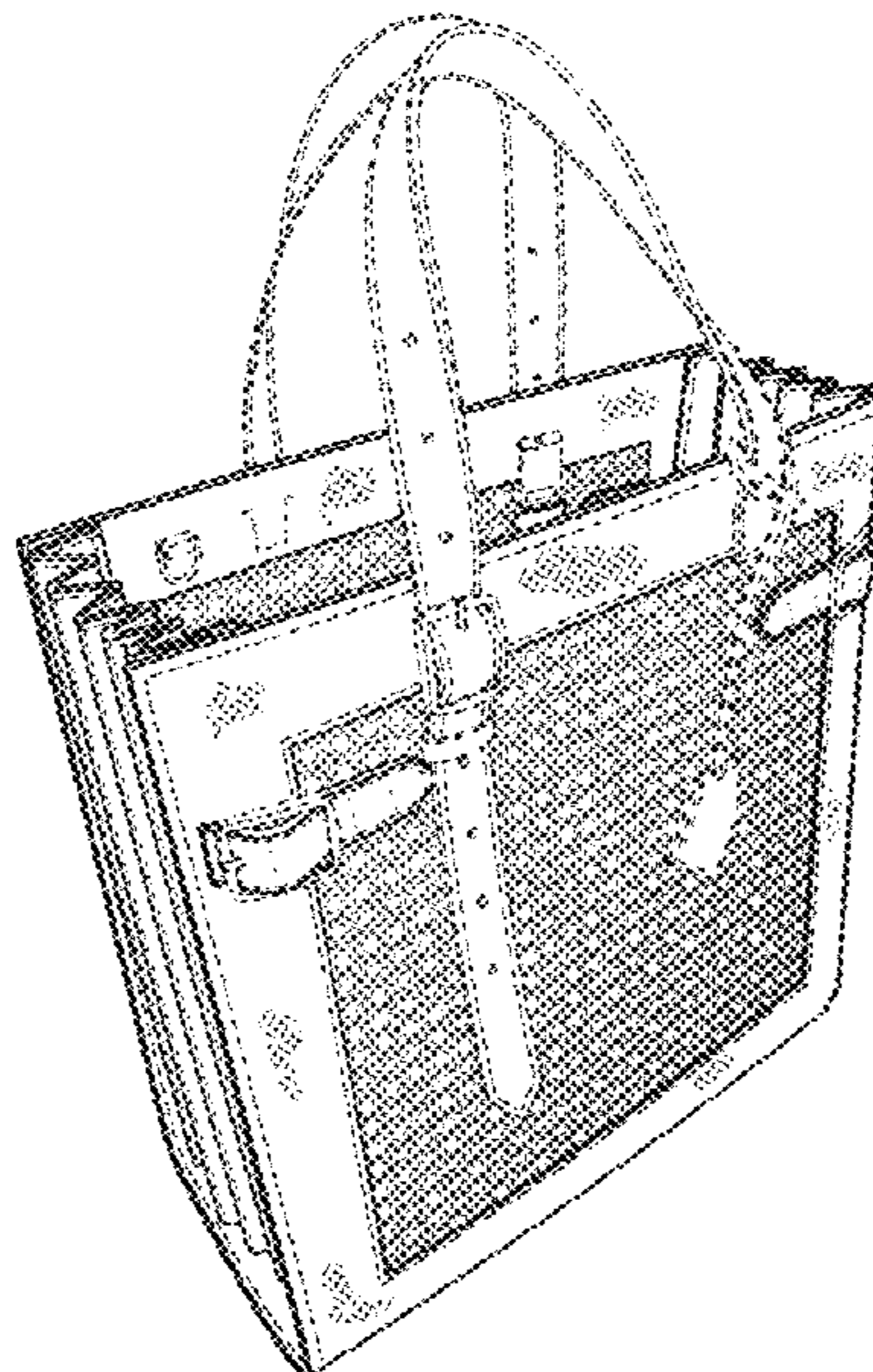
FIG. 1 is a perspective view of a tote showing my new design;
 FIG. 2 is a front view thereof;
 FIG. 3 is a back view thereof;
 FIG. 4 is a left side view thereof;
 FIG. 5 is a right side view thereof;
 FIG. 6 is a top view thereof; and,
 FIG. 7 is a bottom view thereof.
 The broken lines in FIGS. 1-7 outlining a tag attached to the tote, all of the buckles of the tote, and handles of the tote indicate that those elements form no part of the claimed design. The broken lines on the main body of the tote as well as on the side straps illustrate stitching and form part of the claim.

References Cited

U.S. PATENT DOCUMENTS

- 135,990 A 2/1873 King
- 1,090,553 A 3/1914 Mashek
- 1,863,270 A 6/1932 Goldsmith
- D104,070 S 4/1937 Lewis
- D104,075 S * 4/1937 Lewis D3/243
- 2,840,437 A 6/1958 Cohen
- D216,062 S * 11/1969 Domingo 294/170
- D218,374 S * 8/1970 Kuroda D3/303
- D456,135 S 4/2002 Shapiro
- D465,651 S 11/2002 Platte, III
- D562,555 S * 2/2008 Shapiro D3/900
- D569,610 S * 5/2008 Wang D3/246
- D591,506 S * 5/2009 Yohji D3/245
- 7,644,857 B2 1/2010 Chou
- D625,516 S * 10/2010 Krakoff D3/245

1 Claim, 7 Drawing Sheets



(56)

References Cited

U.S. PATENT DOCUMENTS

D828,022 S 9/2018 Maier
D866,169 S 11/2019 Zeller
2009/0026240 A1* 1/2009 Wang A45C 3/06
383/105
2009/0317021 A1 12/2009 Taylor
2014/0369629 A1 12/2014 De La Fuente Lara

OTHER PUBLICATIONS

Koyaana R., Video "Find Your Fit: The Sac De Jour," Sep. 27, 2019,
14 pages.
Sassy Rodriguez, "Saint Laurent Sac De Jour Tote Bag," Apr. 24,
2013, 9 pages.
Bibby Sowray "Saint Laurent's Sac De Jour becomes the bag du
jour," Oct. 17, 2013, 4 pages.

* cited by examiner

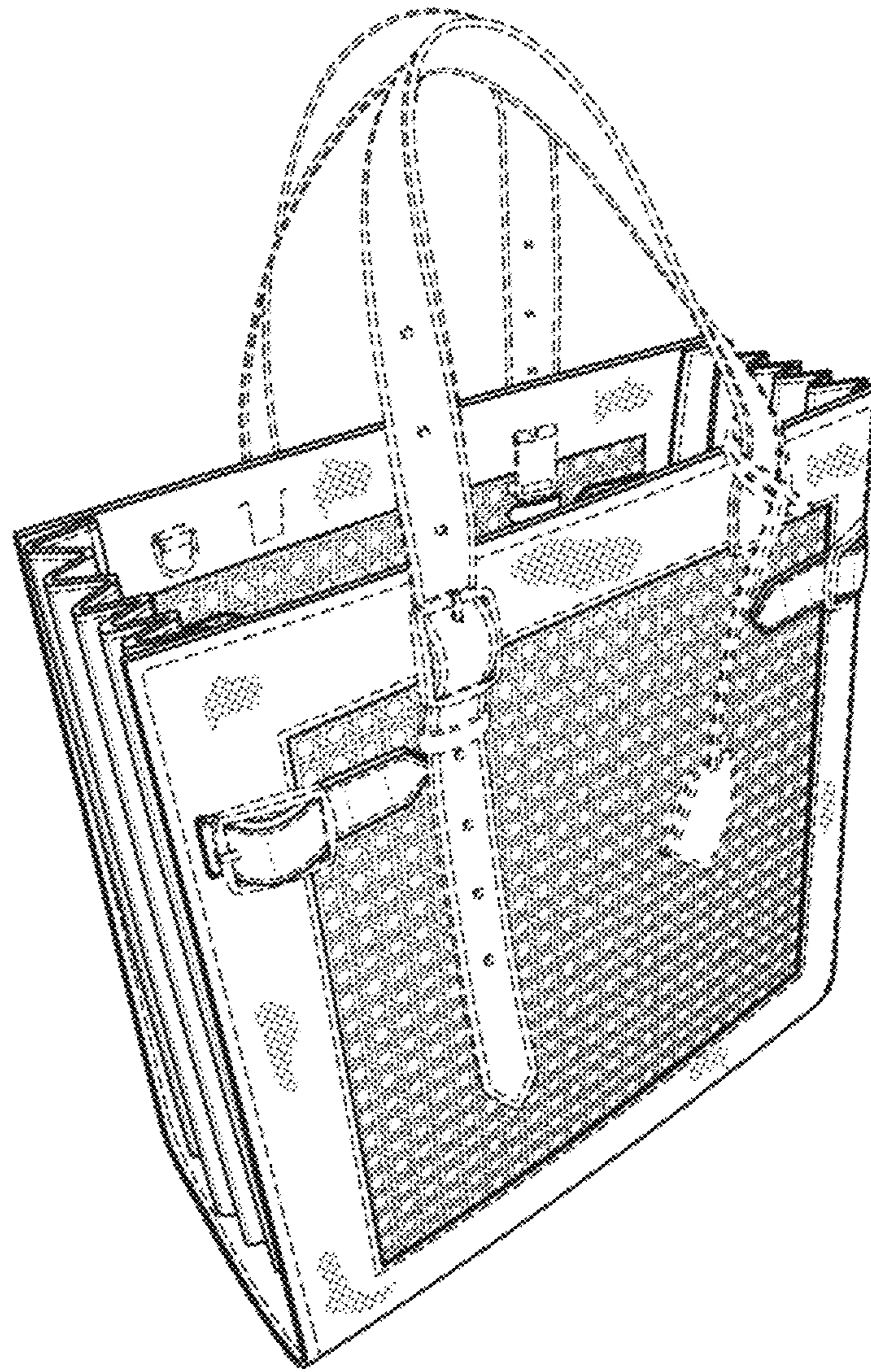


FIG. 1

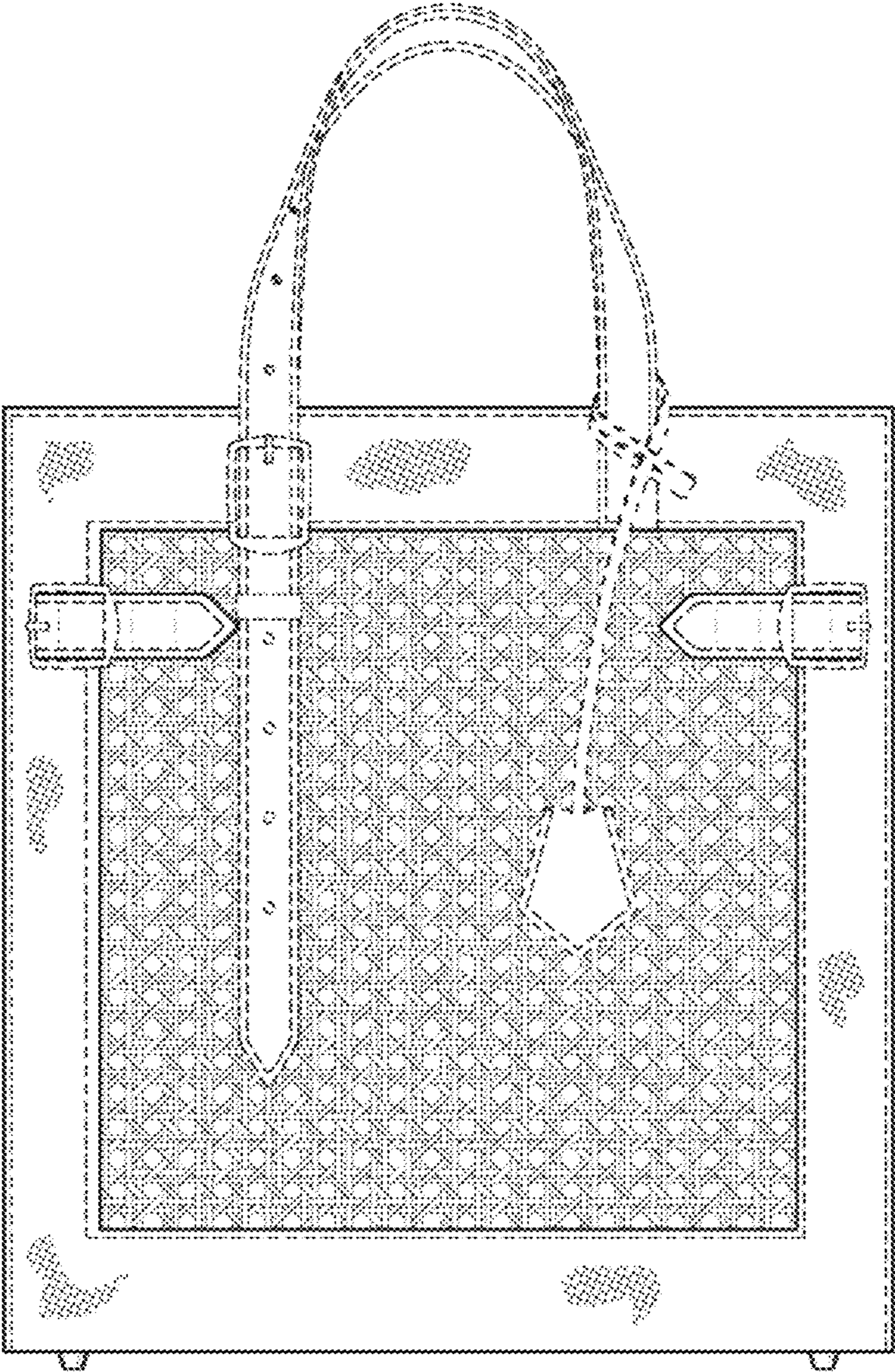


FIG. 2

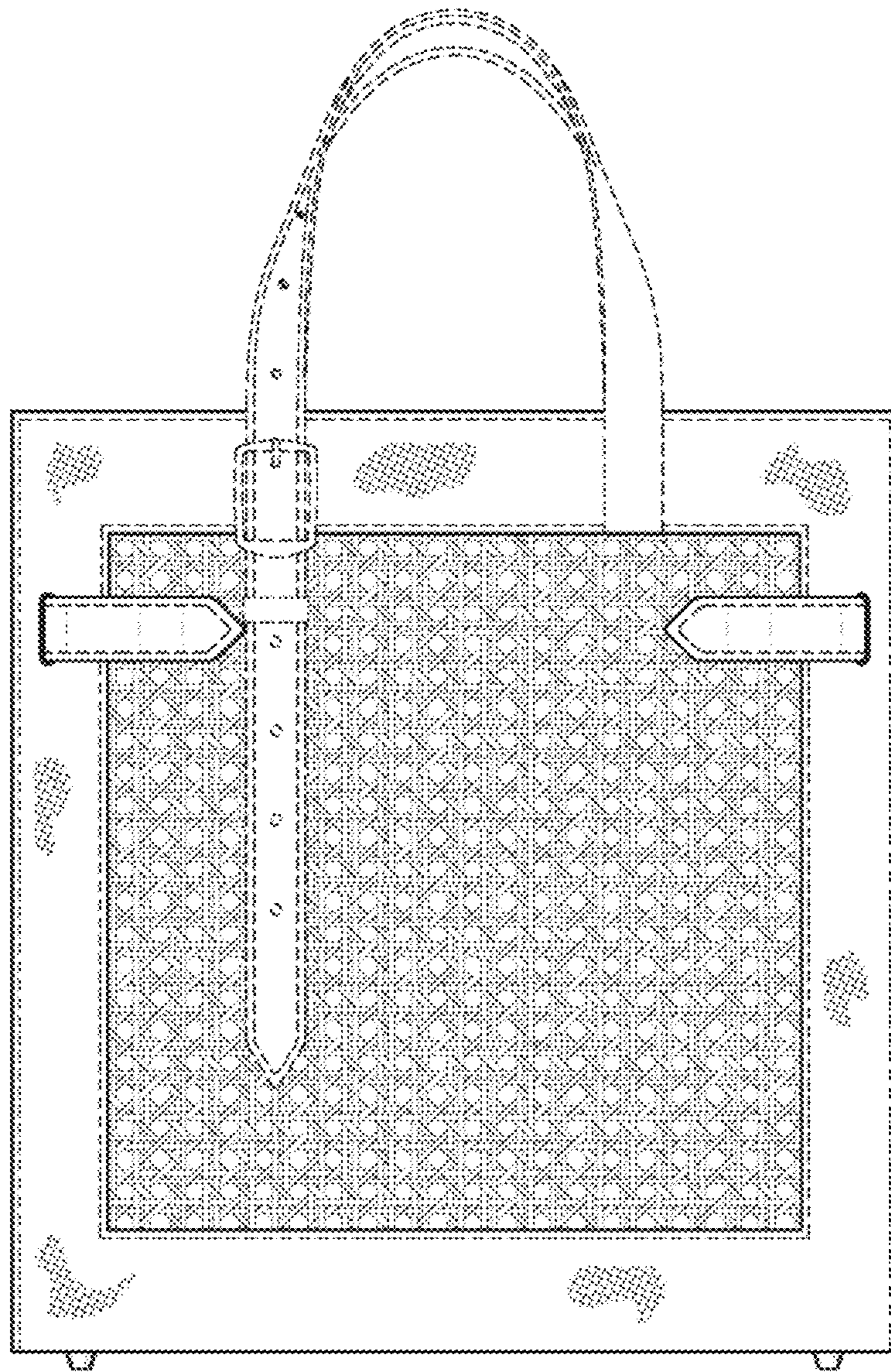


FIG. 3

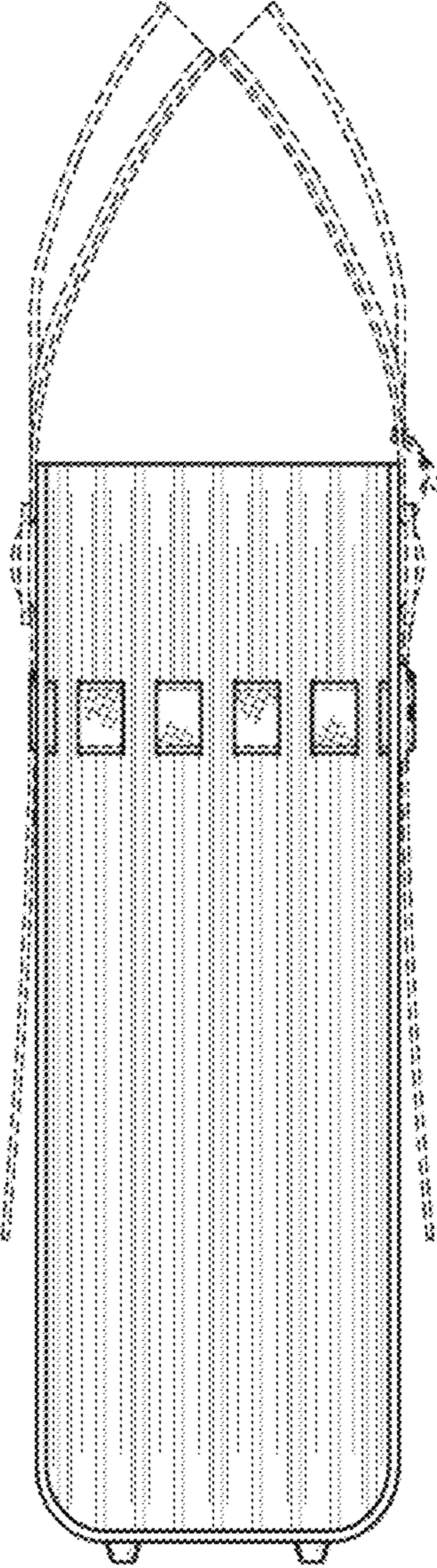


FIG. 4

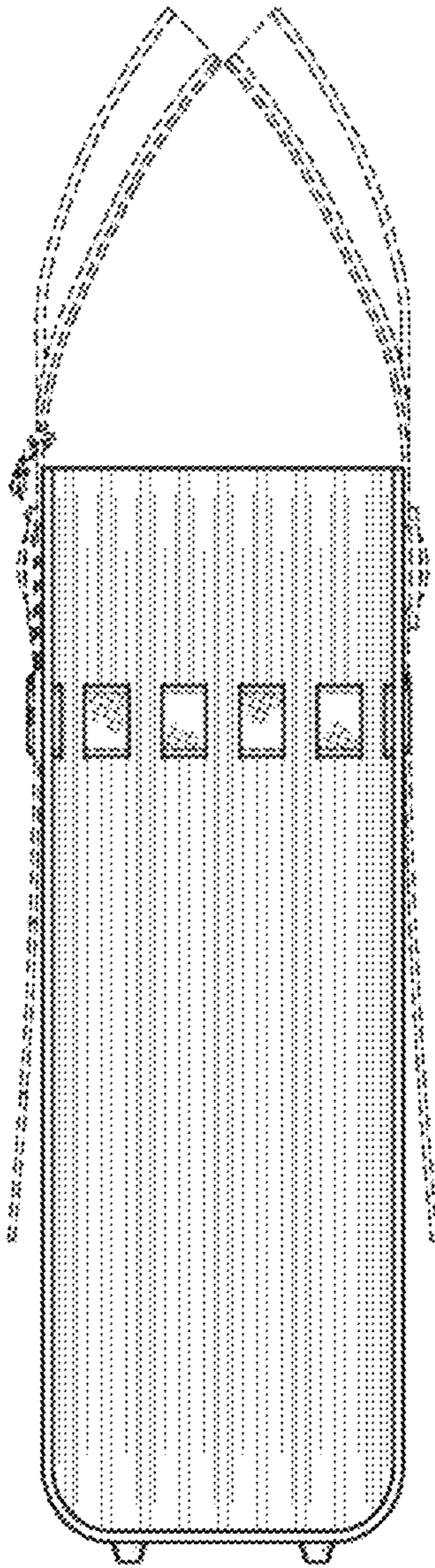


FIG. 5

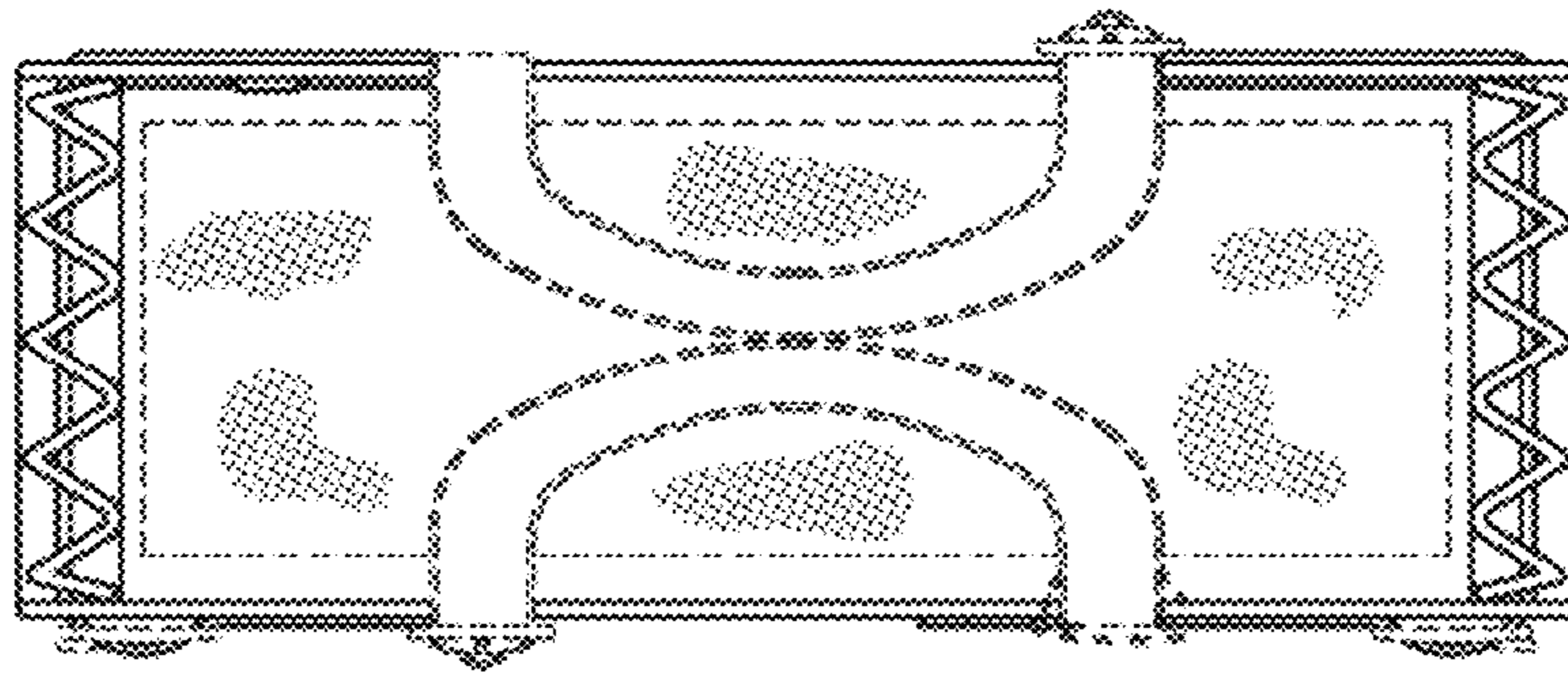


FIG. 6

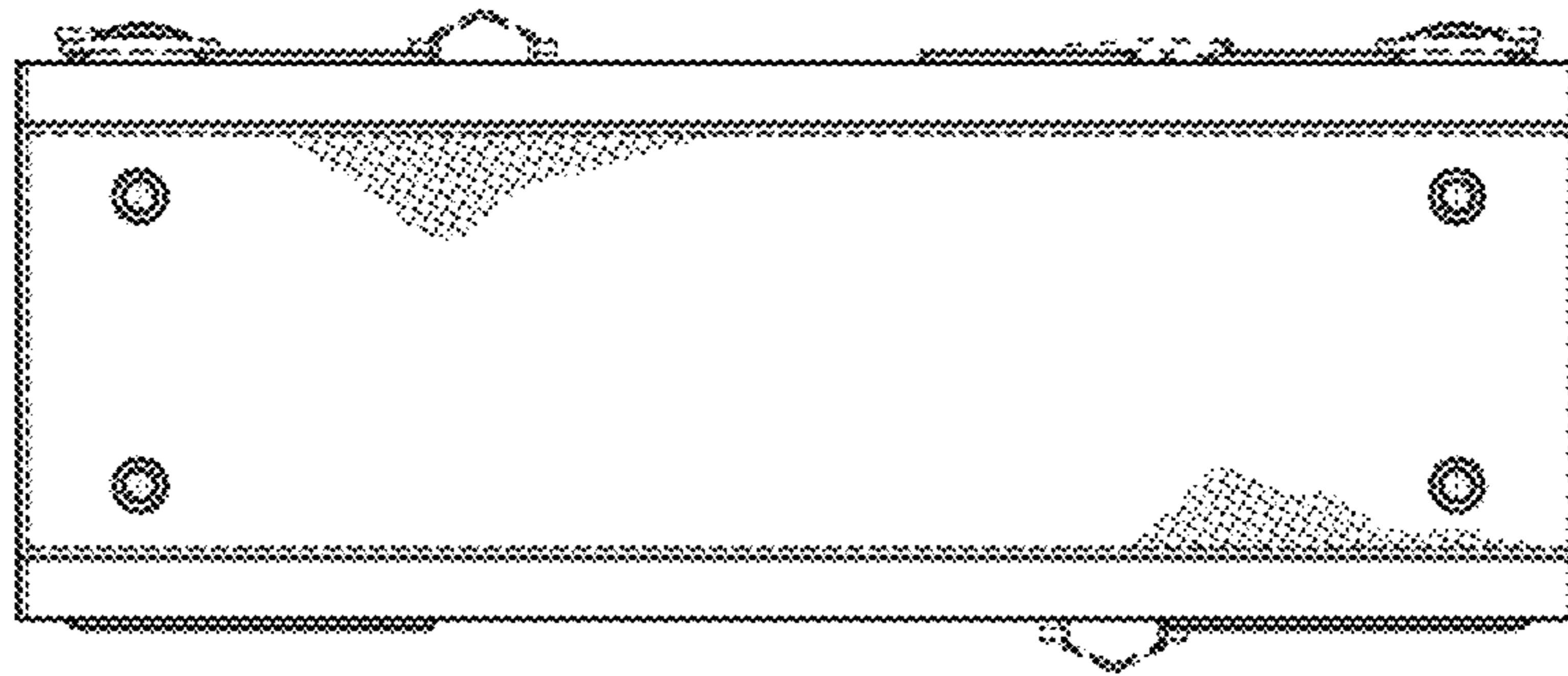


FIG. 7