

US00D959826S

(12) **United States Design Patent** (10) **Patent No.:** **US D959,826 S**
Zhang (45) **Date of Patent:** **** Aug. 9, 2022**

(54) **STORAGE CASE**
(71) Applicant: **Cytac Technology Limited**, Shenzhen (CN)
(72) Inventor: **Yong Zhang**, Shenzhen (CN)
(**) Term: **15 Years**
(21) Appl. No.: **29/728,662**

10,197,370 B2 * 2/2019 Zhang F42B 39/02
D885,511 S * 5/2020 Zhang D3/262
10,724,820 B1 * 7/2020 Zhang F41A 35/02
D901,881 S * 11/2020 Yan D3/226
D902,578 S * 11/2020 Bloch D3/203.1
2011/0132780 A1 * 6/2011 Marconi F41A 9/65
224/196
2019/0068230 A1 * 2/2019 Sasaki H04B 1/3888
(Continued)

(22) Filed: **Mar. 20, 2020**
(30) **Foreign Application Priority Data**
Dec. 13, 2019 (CN) 201930697753.6
(51) **LOC (13) Cl.** **03-01**
(52) **U.S. Cl.**
USPC **D3/226; D3/293**
(58) **Field of Classification Search**
USPC D3/203.1, 205-212, 215, 226-230, 233,
D3/247, 249-250, 269, 276, 282,
D3/293-294, 300, 303, 318, 321-322,
D3/905
CPC ... A45C 11/00; A45C 2011/002; A45F 5/021;
H04B 1/3883; H04B 1/3888; H04M
1/0283; F41A 35/02; F41A 9/64
See application file for complete search history.

OTHER PUBLICATIONS

Facebook user "Cytac Technology Limited", photo posted on Jun. 19, 2020, facebook.com [online], [site visited Mar. 31, 2022], Available at URL: <https://www.facebook.com/CytacHolster/photos/2825477867580367> (Year: 2020).*

(Continued)

Primary Examiner — Michelle E. Wilson
Assistant Examiner — Caitlin A Laverty

(56) **References Cited**
U.S. PATENT DOCUMENTS
D318,367 S * 7/1991 Chen D6/671.1
D439,341 S * 3/2001 Tumey D24/111
D504,768 S * 5/2005 Goradesky D3/218
D510,659 S * 10/2005 Goradesky D3/218
D690,934 S * 10/2013 Robinson D3/294
D691,371 S * 10/2013 Chen D3/294
D734,946 S * 7/2015 Bignon-Zillhardt D3/300
D737,571 S * 9/2015 Kostal D3/262
D737,572 S * 9/2015 Kostal D3/262
D791,901 S * 7/2017 Swan D22/108

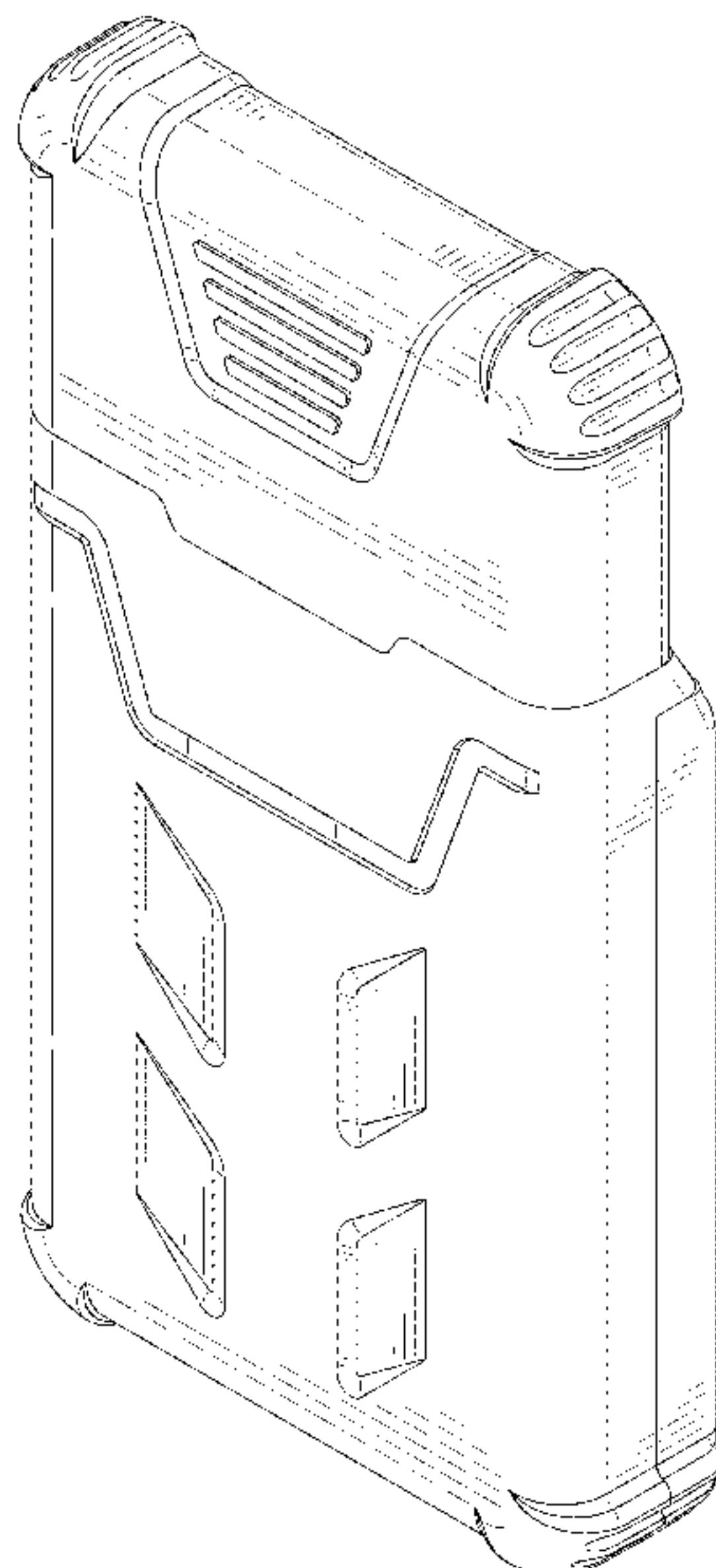
(57) **CLAIM**

The ornamental design for a storage case, as shown and described.

DESCRIPTION

FIG. 1 is a first perspective view of a storage case showing my new design;
FIG. 2 is a second perspective view thereof;
FIG. 3 is a front view thereof;
FIG. 4 is a back view thereof;
FIG. 5 is a left side view thereof;
FIG. 6 is a right side view thereof;
FIG. 7 is a top view thereof;
FIG. 8 is a bottom view thereof; and,
FIG. 9 is an enlarged view of the selected portion in FIG. 2.
The broken lines shown in the drawings depict portions of the storage case in which the design is embodied that form no part of the claimed design.

1 Claim, 9 Drawing Sheets



(56)

References Cited

U.S. PATENT DOCUMENTS

2020/0221840 A1* 7/2020 Zhang H04B 1/385
2021/0401157 A1* 12/2021 Scalisi A45C 11/00

OTHER PUBLICATIONS

CY-SPH CYTAC Smart-Tac Phone Holster, unknown first available date, cytac.com [online], [site visited Mar. 31, 2022], Available at URL: <https://www.cytac.com/products/sph-phone-holster/> (Year: 2022).*

* cited by examiner

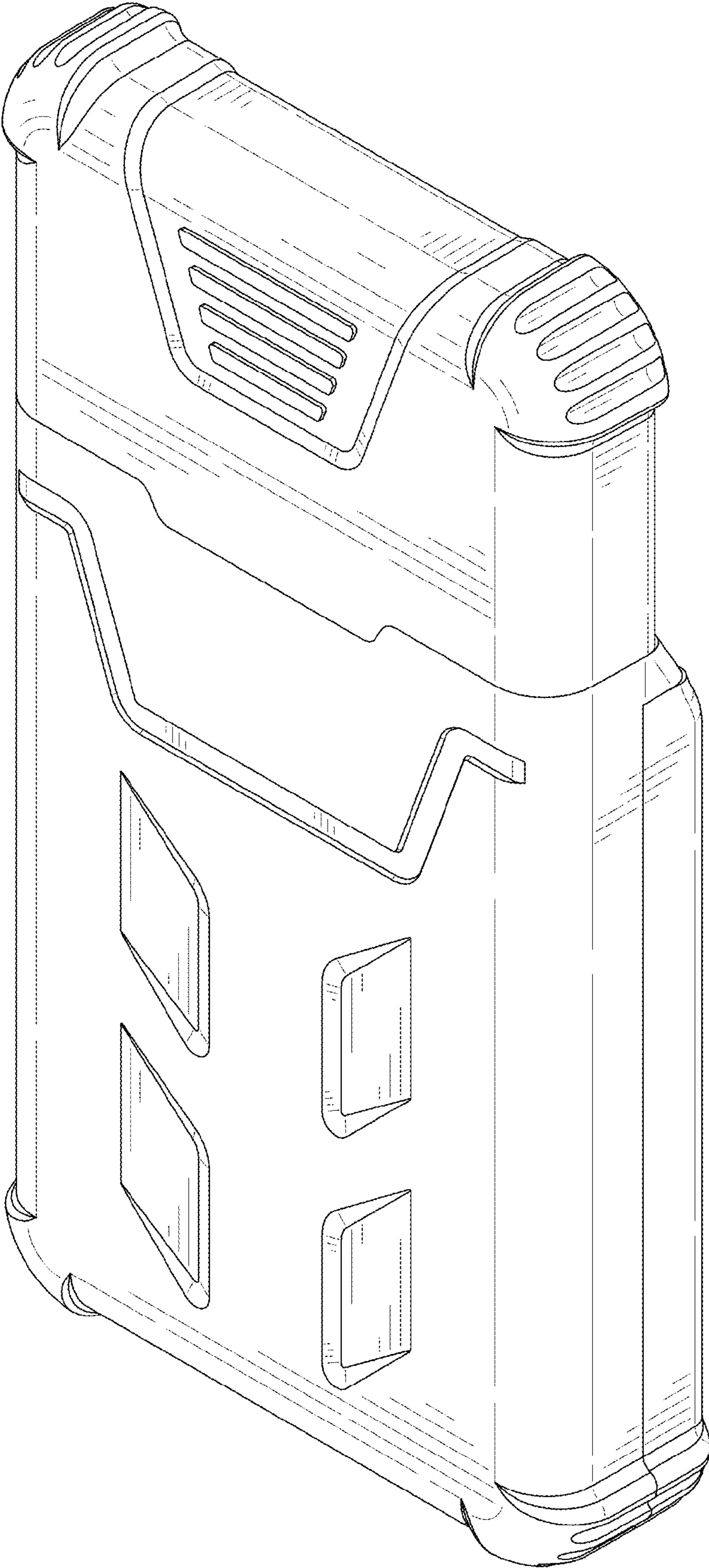


FIG. 1

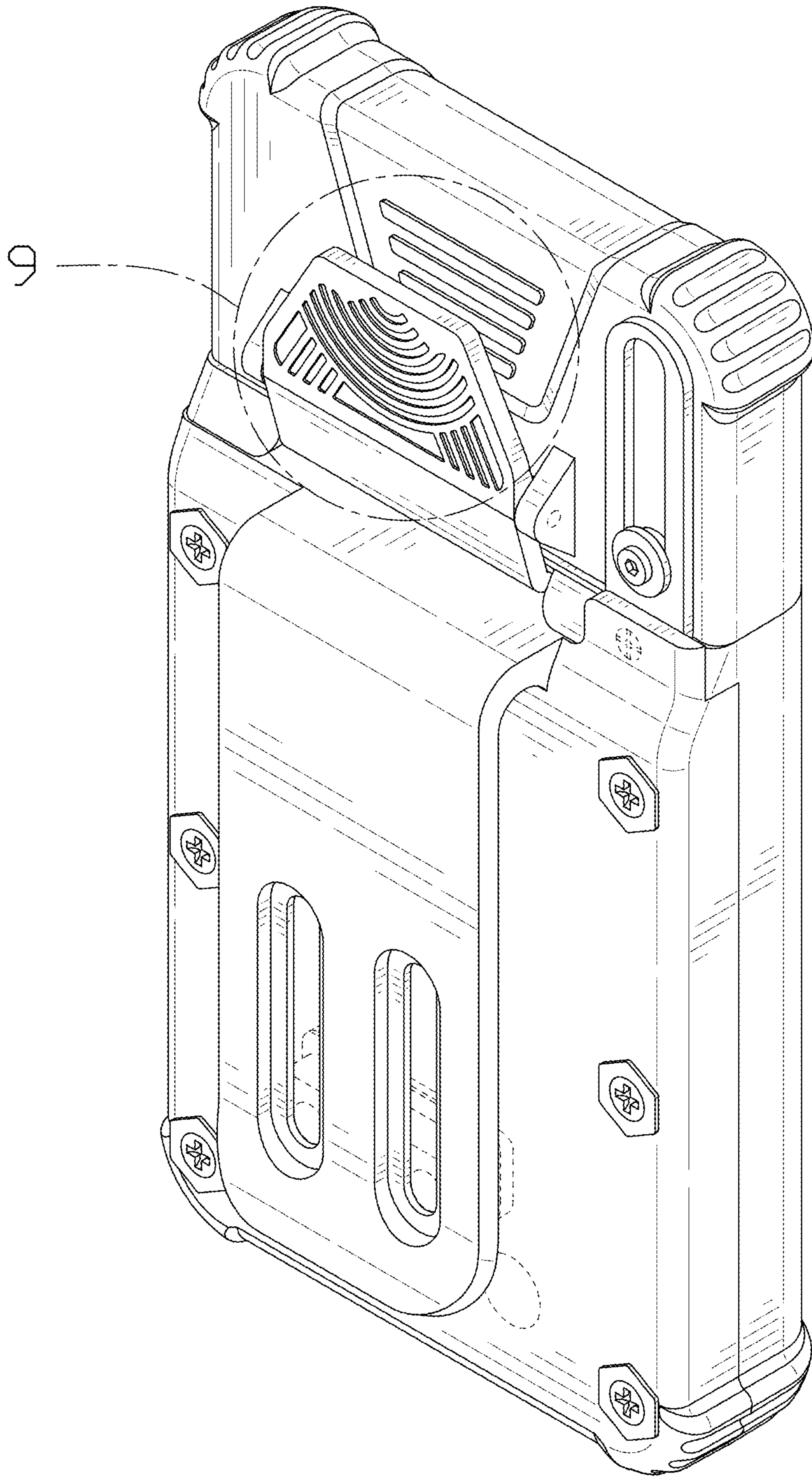


FIG. 2

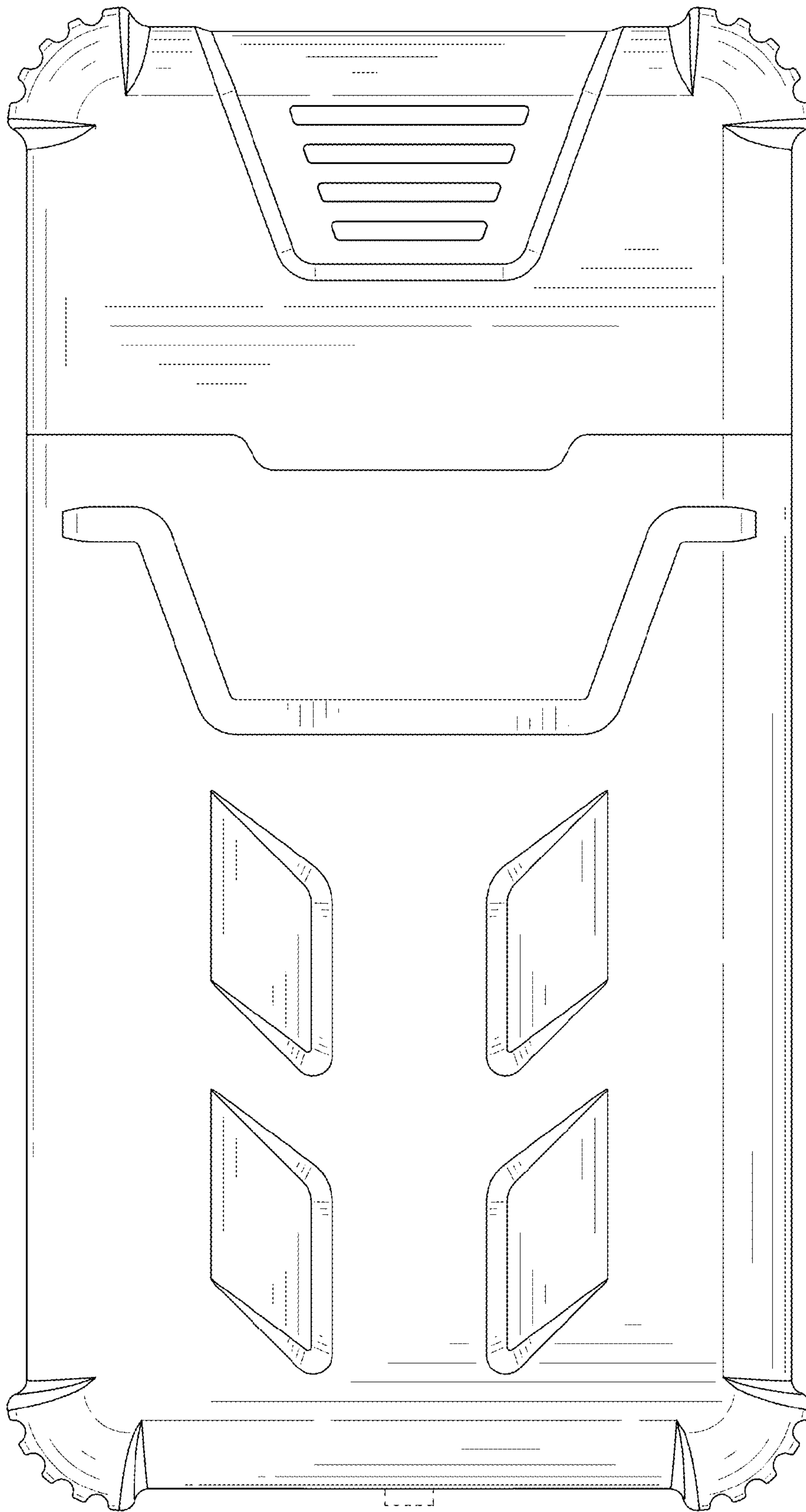


FIG. 3

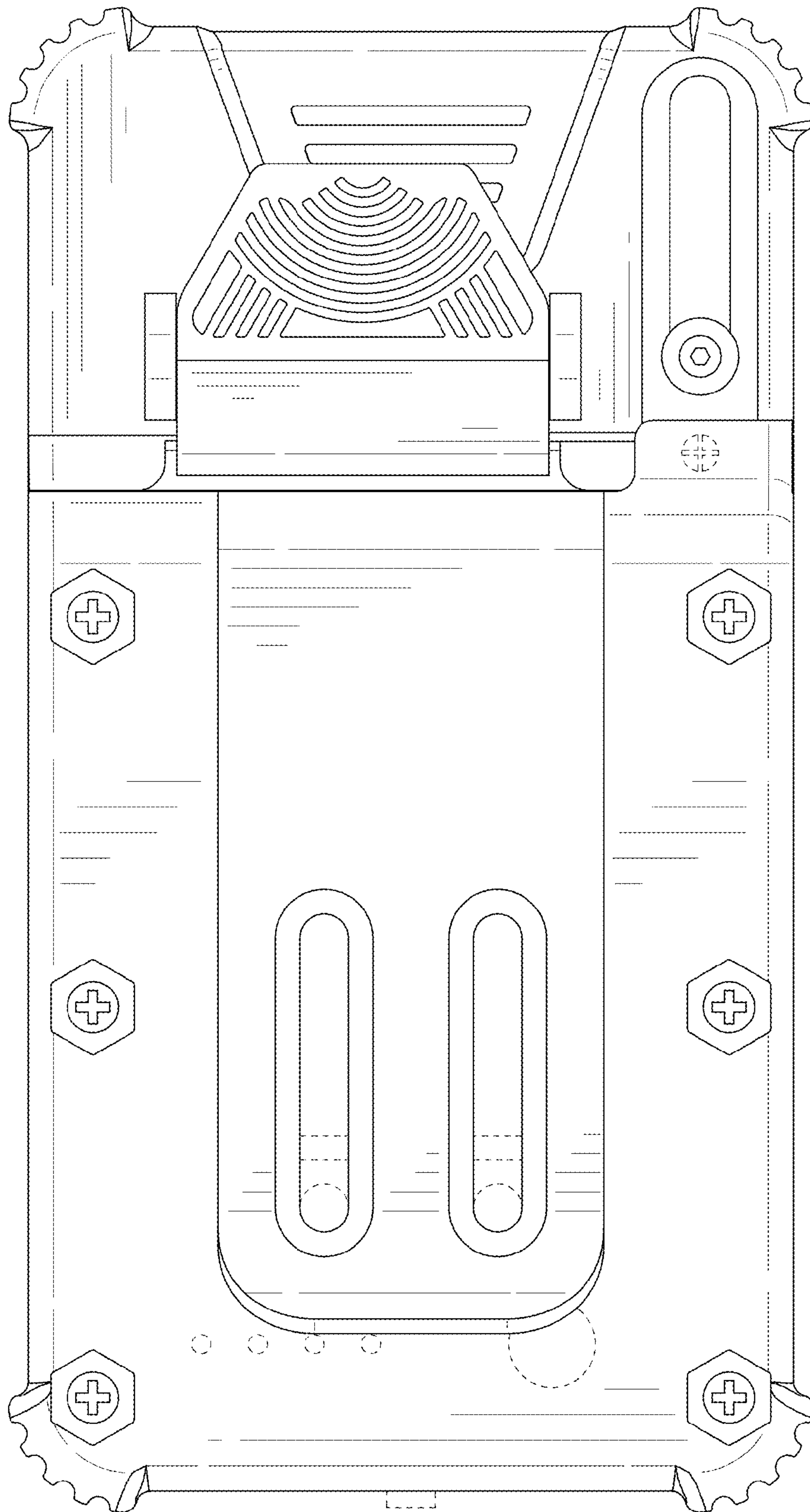


FIG. 4

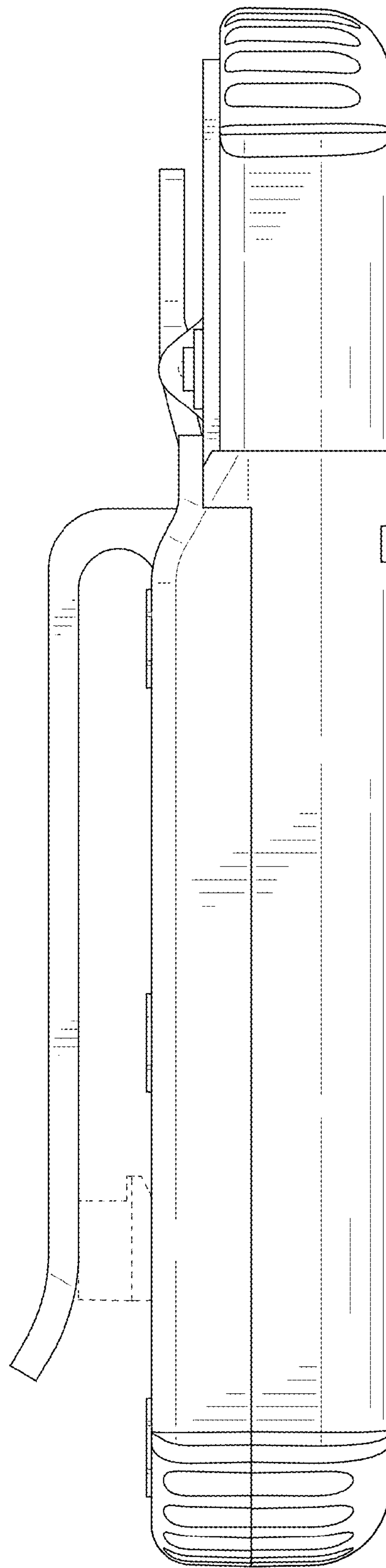


FIG. 5

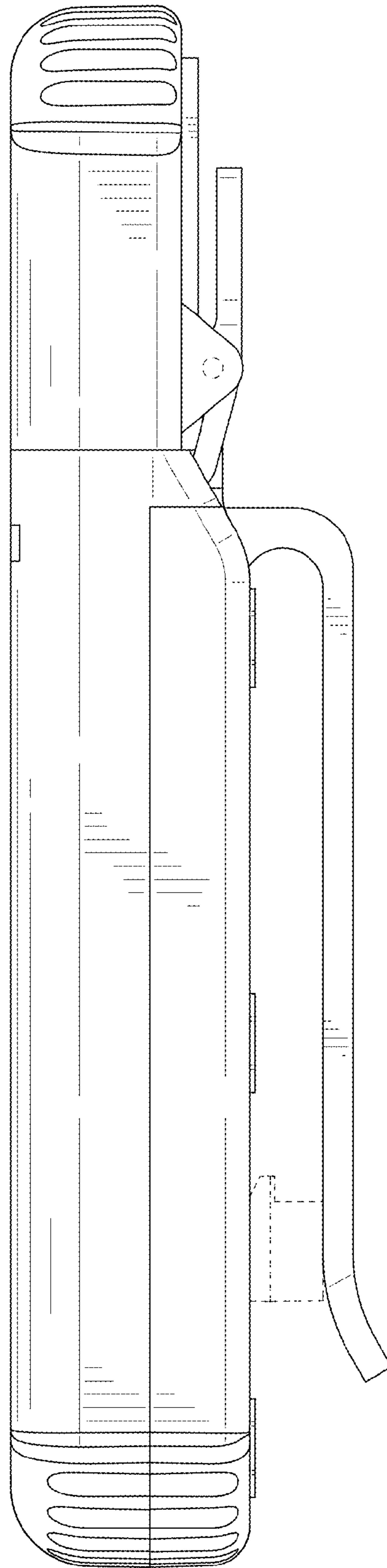


FIG. 6

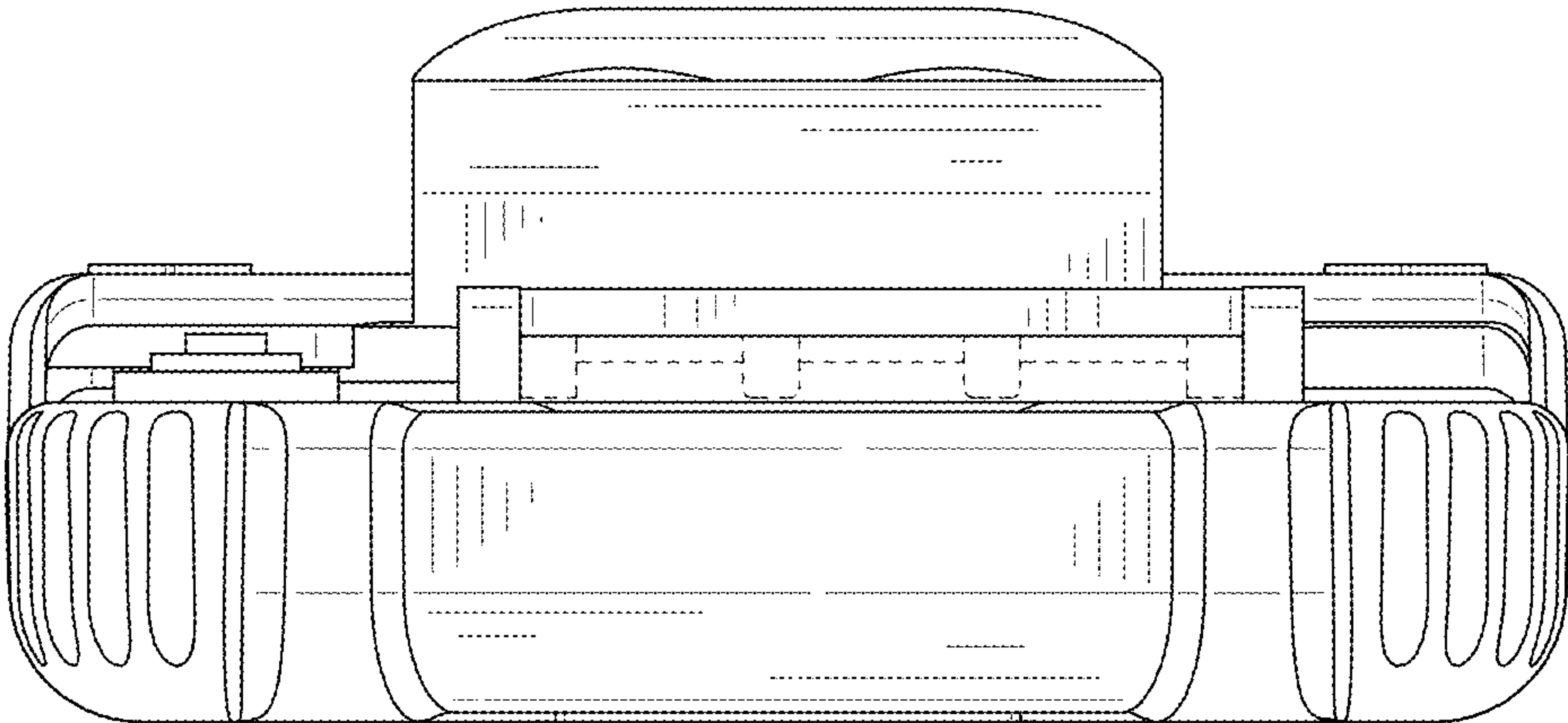


FIG. 7

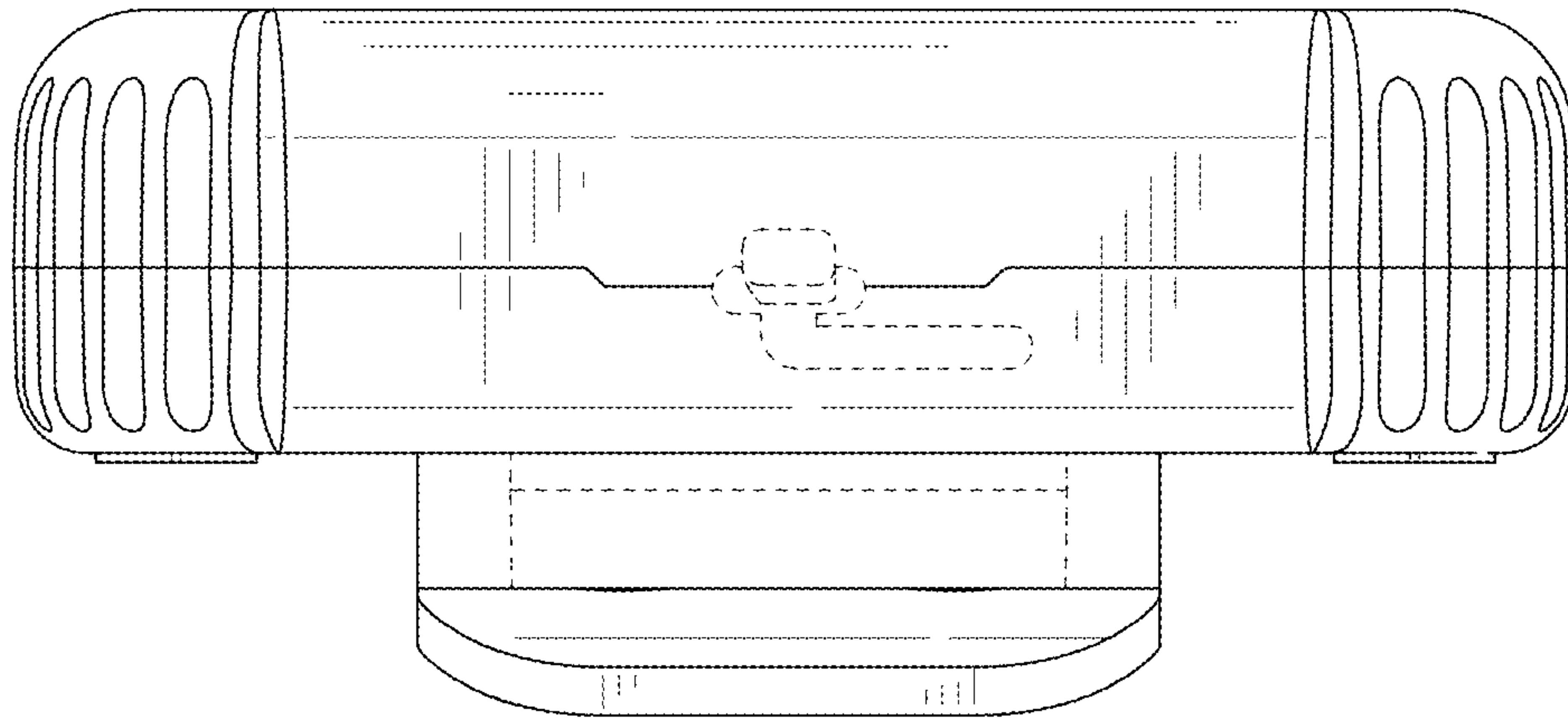


FIG. 8

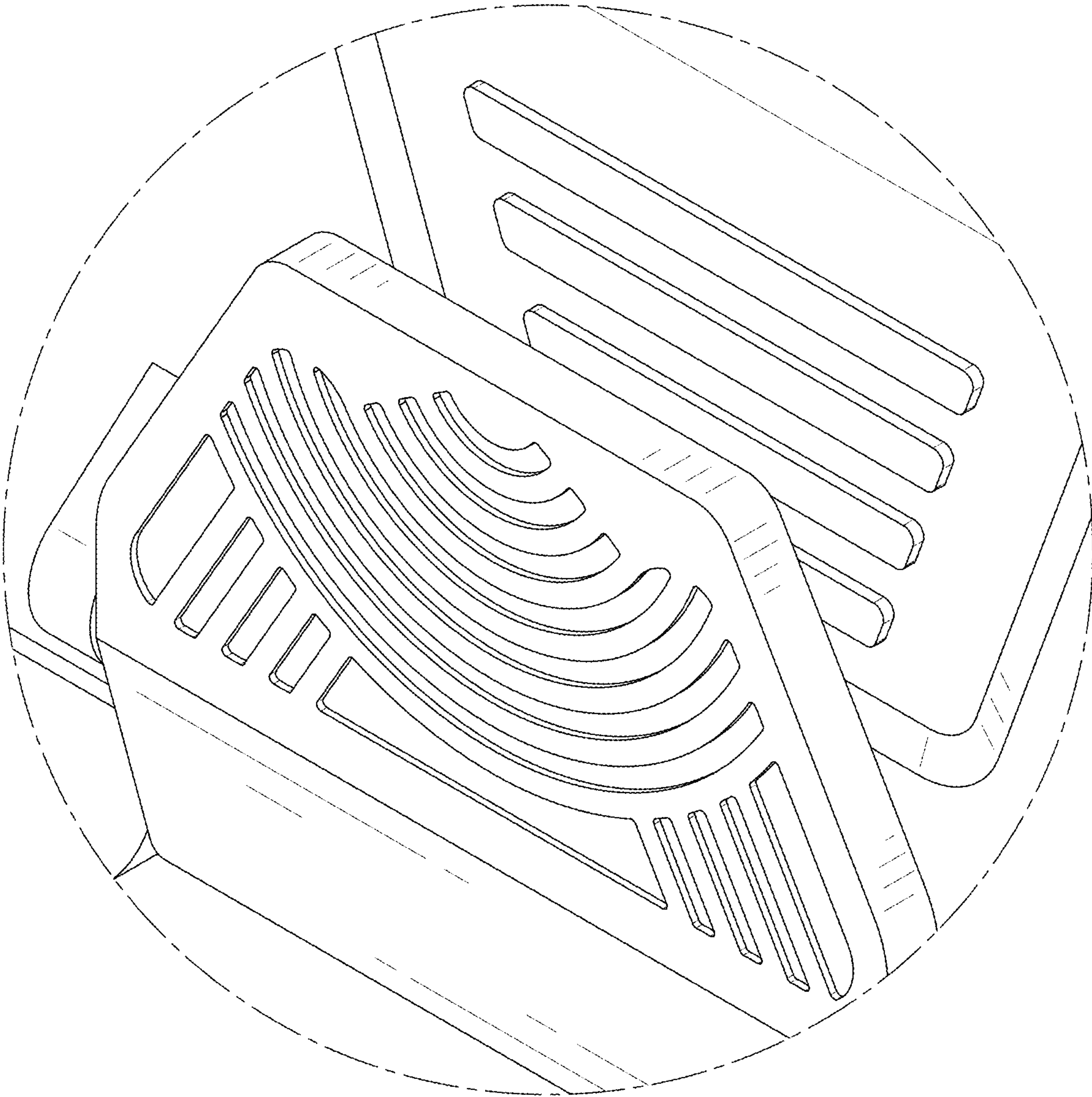


FIG. 9