



US00D959825S

(12) **United States Design Patent** (10) **Patent No.:** **US D959,825 S**
Lu (45) **Date of Patent:** **** Aug. 9, 2022**

(54) **HOLSTER**
(71) Applicant: **Rui Lu**, Shenzhen (CN)
(72) Inventor: **Rui Lu**, Shenzhen (CN)
(73) Assignee: **Shenzhen Feilagam Technology Co., Ltd.**, Shenzhen (CN)
(**) Term: **15 Years**
(21) Appl. No.: **29/795,161**
(22) Filed: **Jun. 17, 2021**
(51) **LOC (13) Cl.** **03-01**
(52) **U.S. Cl.**
USPC **D3/222**
(58) **Field of Classification Search**
USPC D3/222
CPC A45F 5/00; A45F 5/02; A45F 5/021; A45F 5/022; A45F 2200/05; A45F 2200/0591; F41C 33/02; F41C 33/06; F41C 33/0209; F41C 33/0236; F41C 33/041; F41C 33/045; F41C 33/046; F41C 33/0227; F41C 33/0254; F41C 33/0263; F41C 33/0218
See application file for complete search history.

D749,843 S 2/2016 Faifer
D912,399 S * 3/2021 Sun D3/222
D917,878 S * 5/2021 Huang D3/222
D930,979 S * 9/2021 Tang D3/222
D933,952 S * 10/2021 Sun D3/222

FOREIGN PATENT DOCUMENTS

EP 3287734 * 2/2018 F41C 33/02

* cited by examiner

Primary Examiner — Catherine R Oliver-Garcia

(57) **CLAIM**

The ornamental design for a holster, as shown and described.

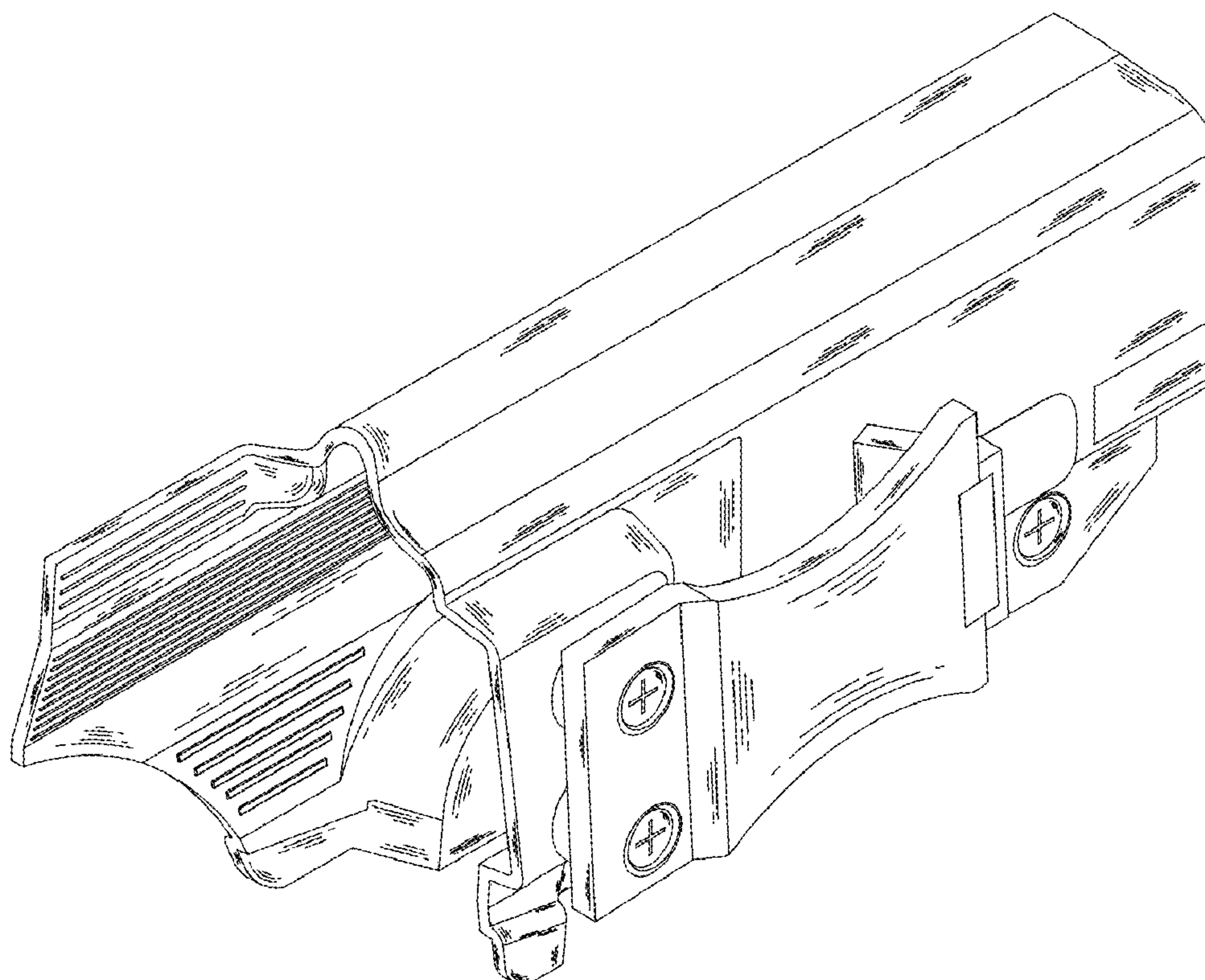
DESCRIPTION

FIG. 1 is a perspective view of a holster showing my new design;
FIG. 2 is a front elevational view thereof;
FIG. 3 is a rear elevational view thereof;
FIG. 4 is a left side elevational view thereof;
FIG. 5 is a right side elevational view thereof;
FIG. 6 is a top plan view thereof; and,
FIG. 7 is a bottom plan view thereof.

(56) **References Cited**
U.S. PATENT DOCUMENTS

D642,793 S 8/2011 Rogers
D697,711 S 1/2014 Stevens, IV

1 Claim, 7 Drawing Sheets



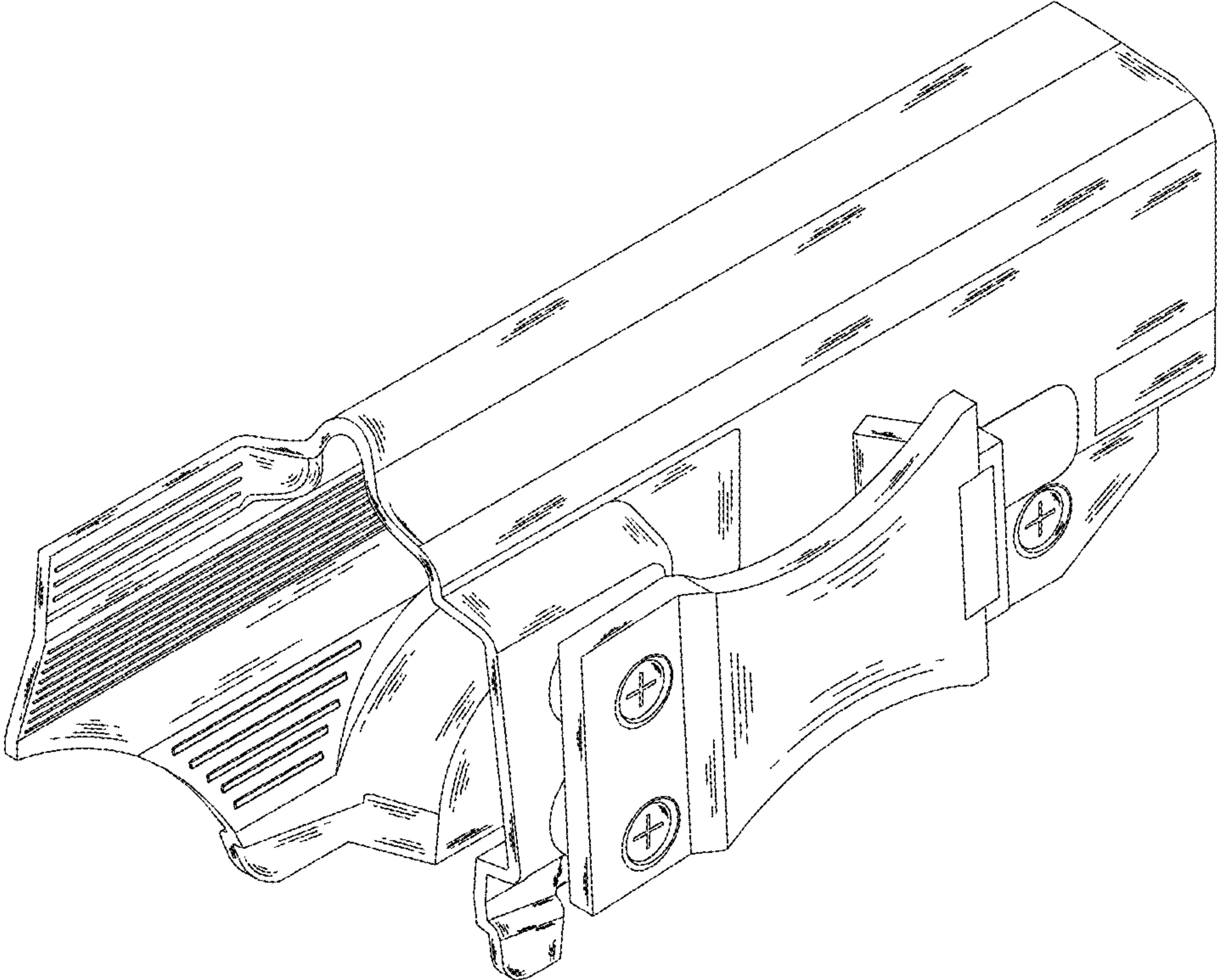


FIG.1

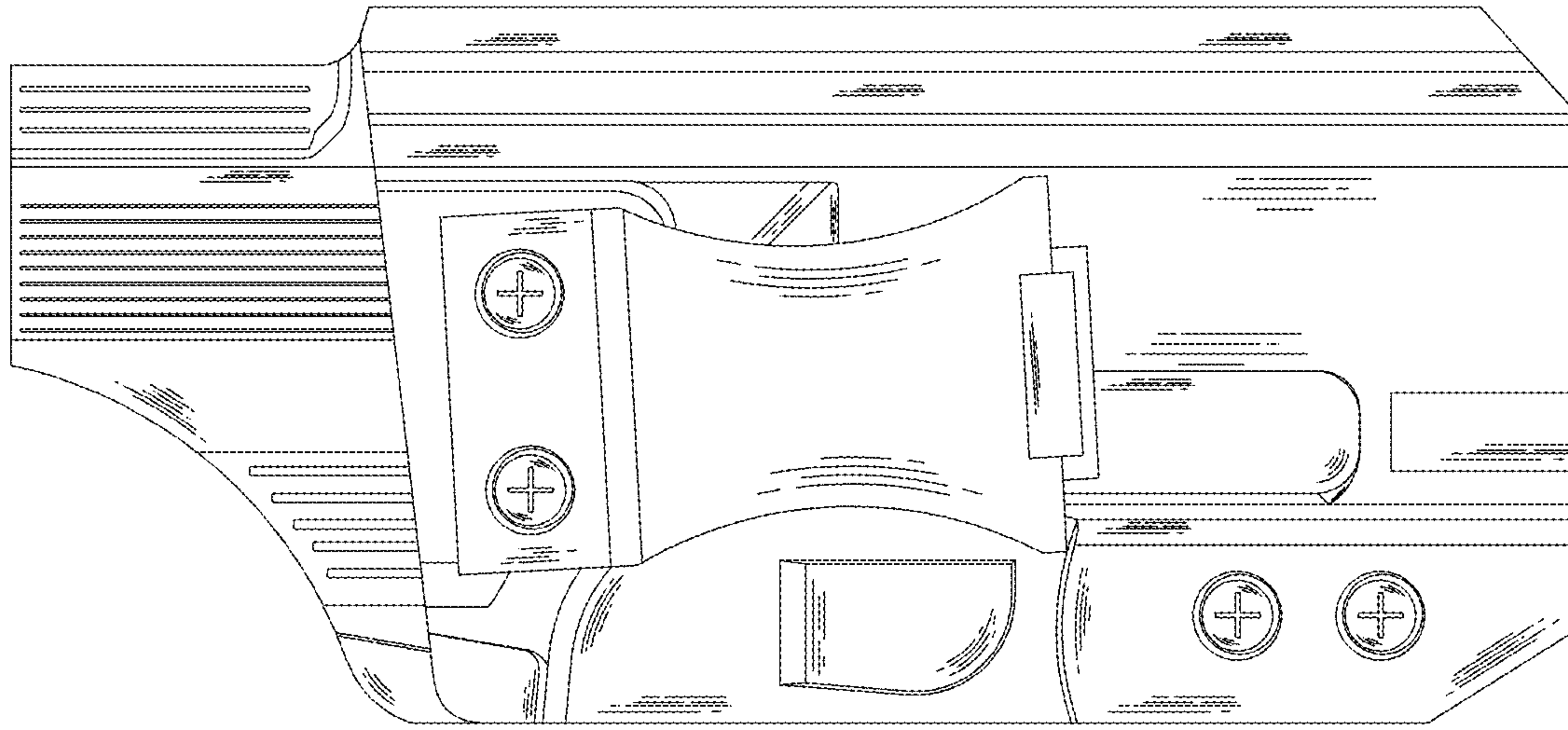


FIG.2

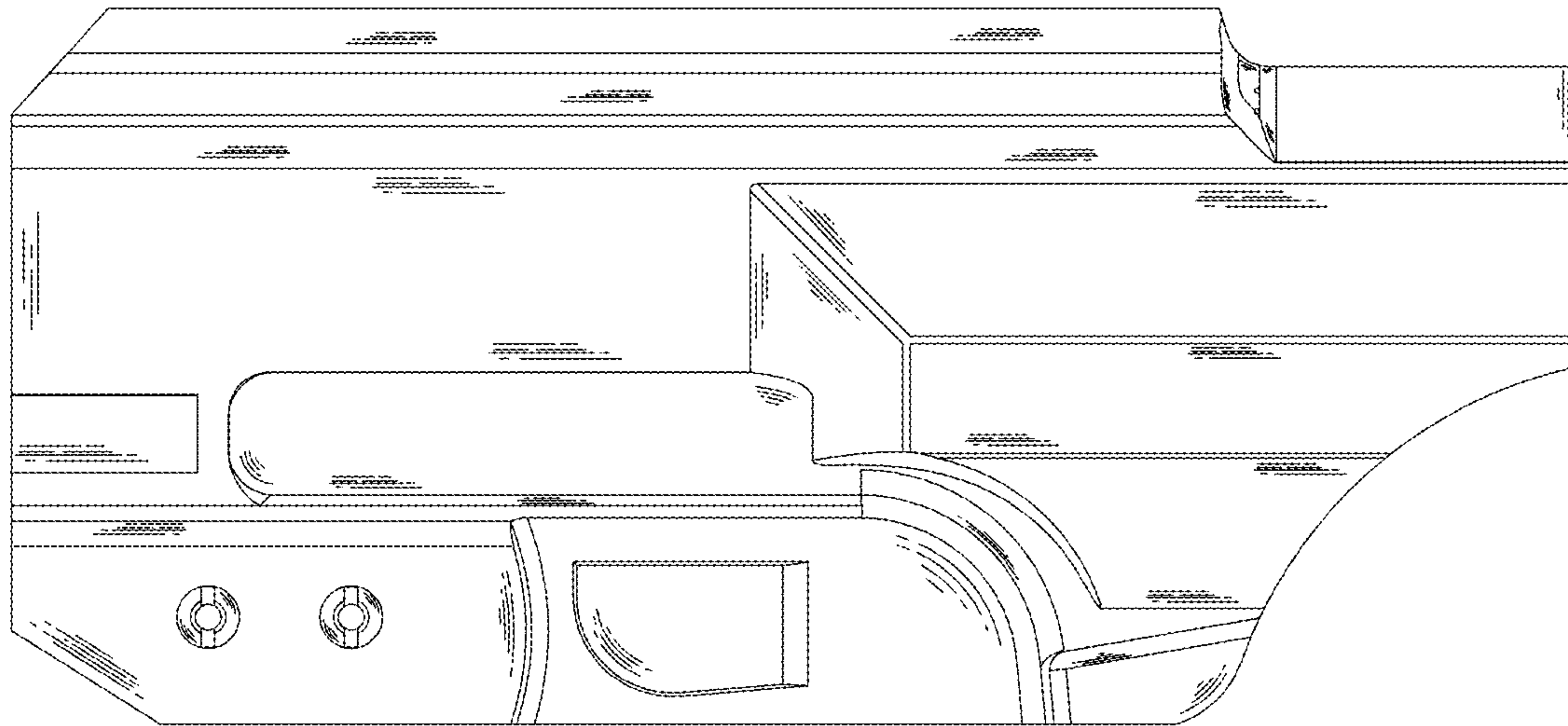


FIG.3

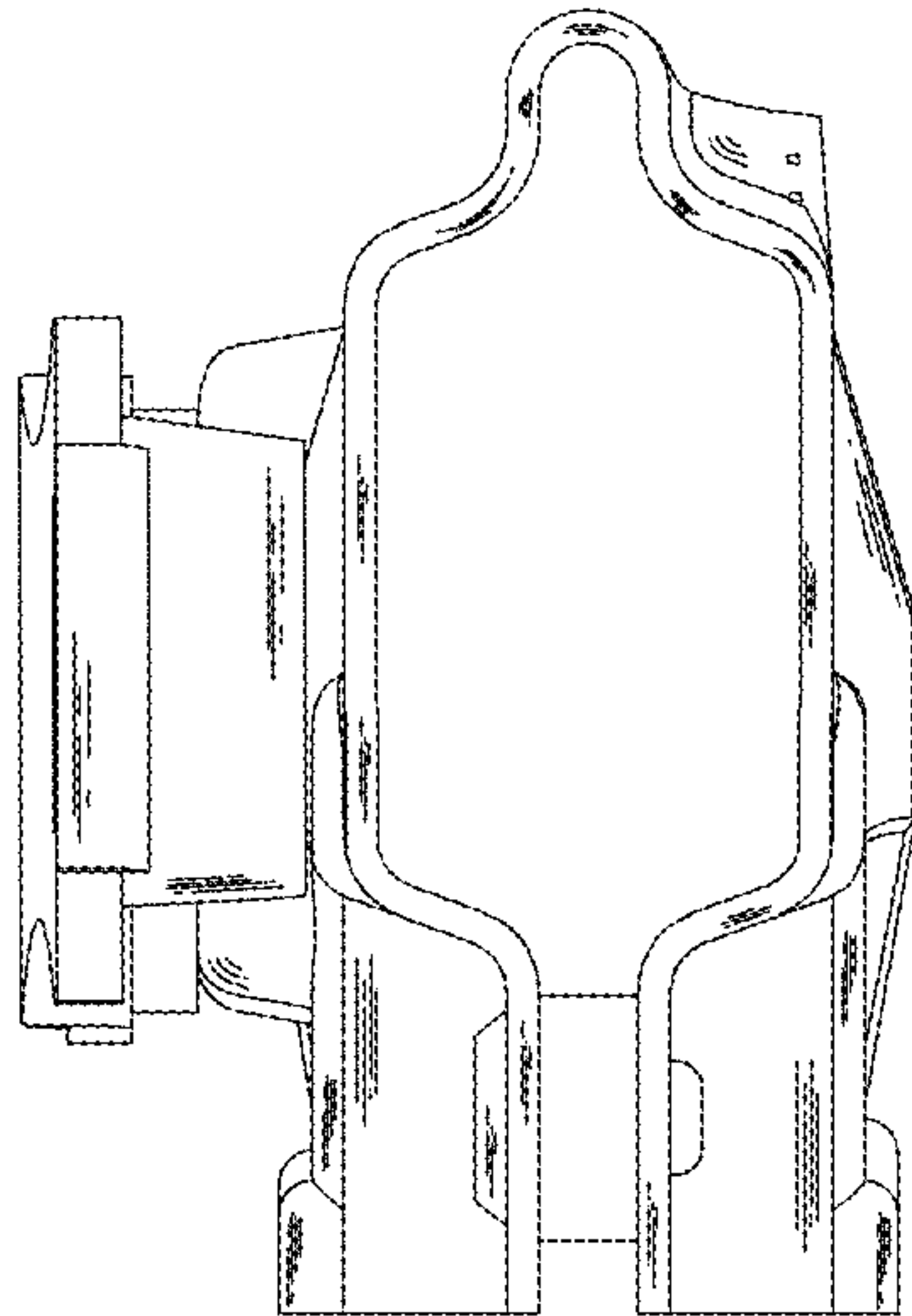


FIG.4

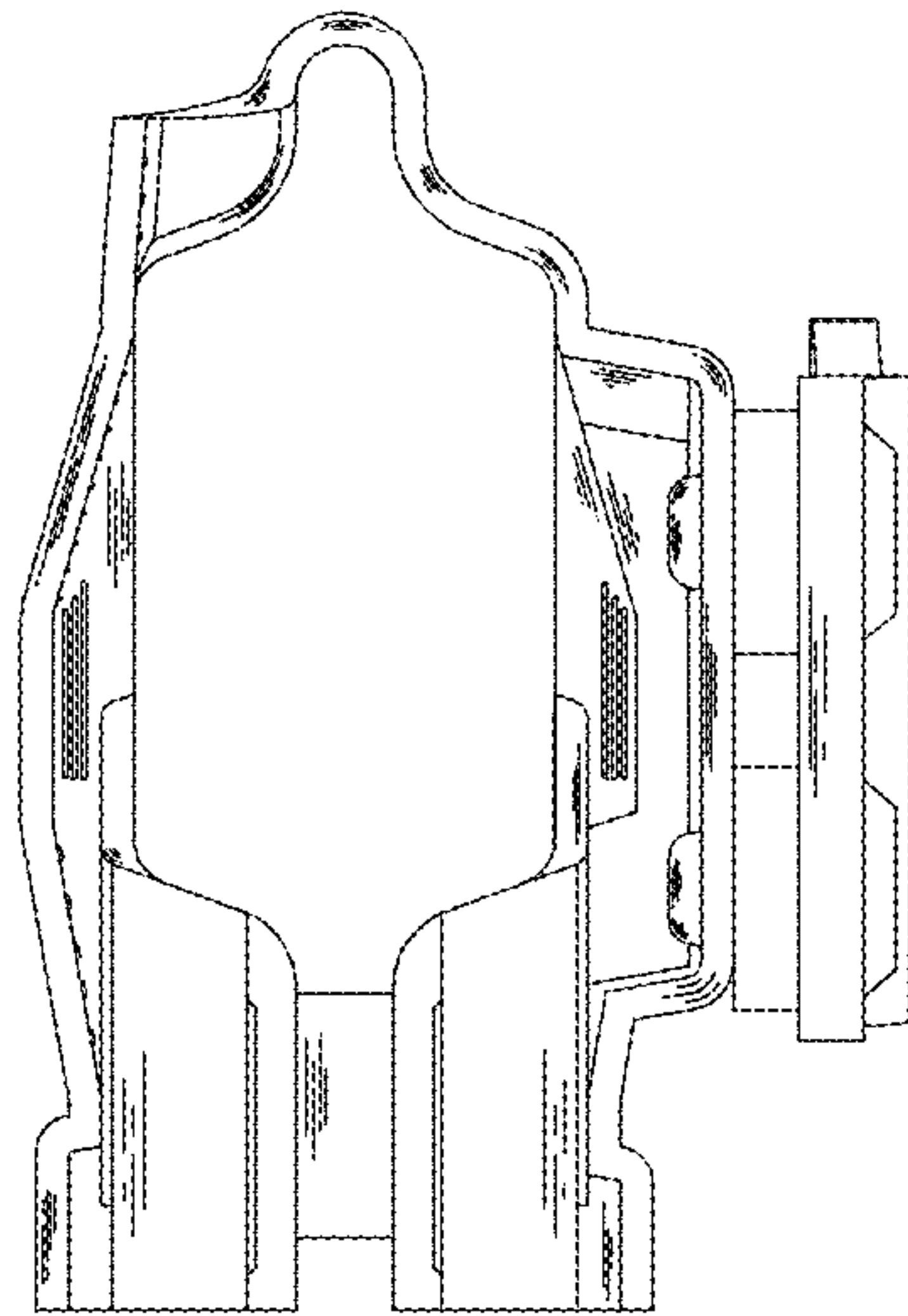


FIG.5

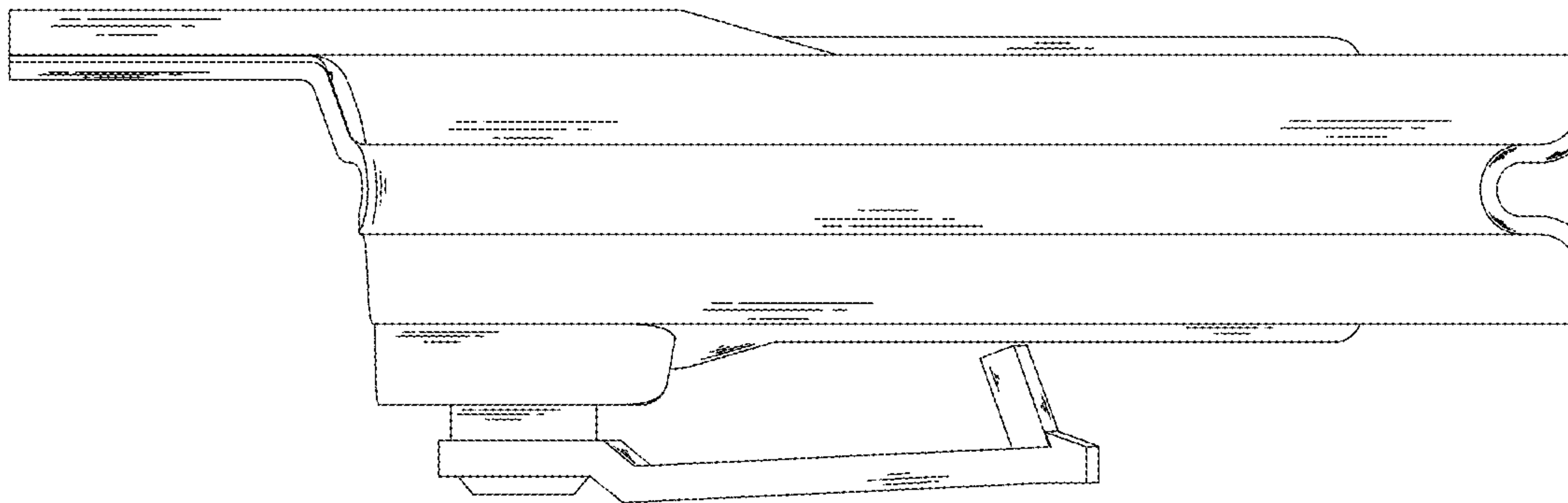


FIG.6

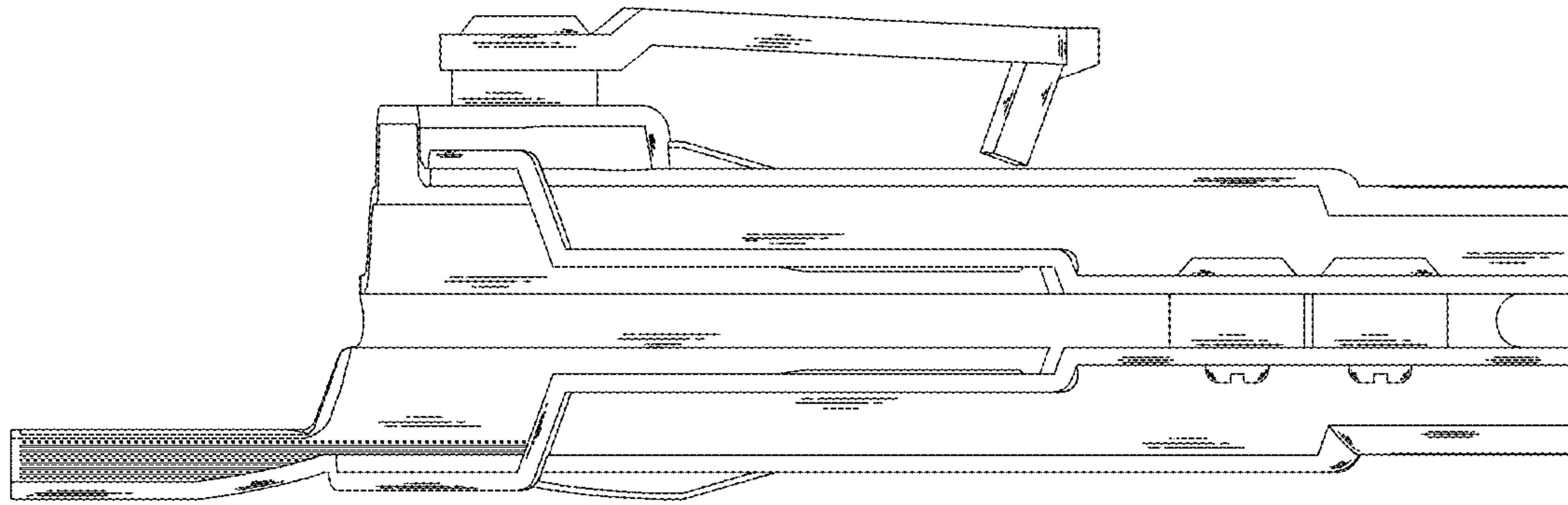


FIG.7