



US00D959824S

(12) **United States Design Patent** (10) **Patent No.:** **US D959,824 S**
Chan (45) **Date of Patent:** **** Aug. 9, 2022**

- (54) **FOLDABLE DIAPER BACKPACK**
- (71) Applicant: **Tse Long Chan**, Hong Kong (HK)
- (72) Inventor: **Tse Long Chan**, Hong Kong (HK)
- (**) Term: **15 Years**
- (21) Appl. No.: **29/791,230**
- (22) Filed: **Jan. 5, 2022**
- (51) **LOC (13) Cl.** **03-99**
- (52) **U.S. Cl.**
USPC **D3/217**
- (58) **Field of Classification Search**
USPC D3/213, 214, 216, 217, 274, 319;
D6/391
See application file for complete search history.

(56) **References Cited**

U.S. PATENT DOCUMENTS

2,551,509 A *	5/1951	Smith	A47D 13/02
				5/98.1
4,698,862 A *	10/1987	Mairs	A47D 13/025
				5/413 R
D500,213 S *	12/2004	DeHart	A47D 13/06
				D6/390
8,997,277 B2 *	4/2015	Thomas	A47D 9/005
				5/98.1
D891,143 S	7/2020	Ren		
D902,582 S *	11/2020	Huang	D3/217
D938,163 S *	12/2021	Lyu	A47D 13/02
				D3/217
D941,013 S *	1/2022	Qiu	A47D 13/06
				D3/217

OTHER PUBLICATIONS

Mad for Good Diaper Bag Backpack, announced May 1, 2021 [online], [site visited Jun. 10, 2022]. Available from internet, URL: <https://www.amazon.ca/Mad-Good-Diaper-Bag-Backpack/dp/B08YPC74BY/> (Year: 2021).*

Celine's Diaper Bag, announced Jul. 25, 2021 [online], [site visited Jun. 10, 2022]. Available from internet, URL: <https://www.amazon.ca/Celines-Waterproof-Backpack-Original-Insulated/dp/B08YX9NPZL/?th=1> (Year: 2021).*

Tse Long Chan and Foldable diaper backpack https://www.amazon.com/Backpack-Changing-Derjunstar-Portable-Waterproof/dp/B09529N9TW/ref=sr_1_42?dchild=1&keywords=diaper+bag&qid=1631776393&sr=8-42.

* cited by examiner

Primary Examiner — Kevin K Rudzinski
Assistant Examiner — Amber J Rabie

(57) **CLAIM**

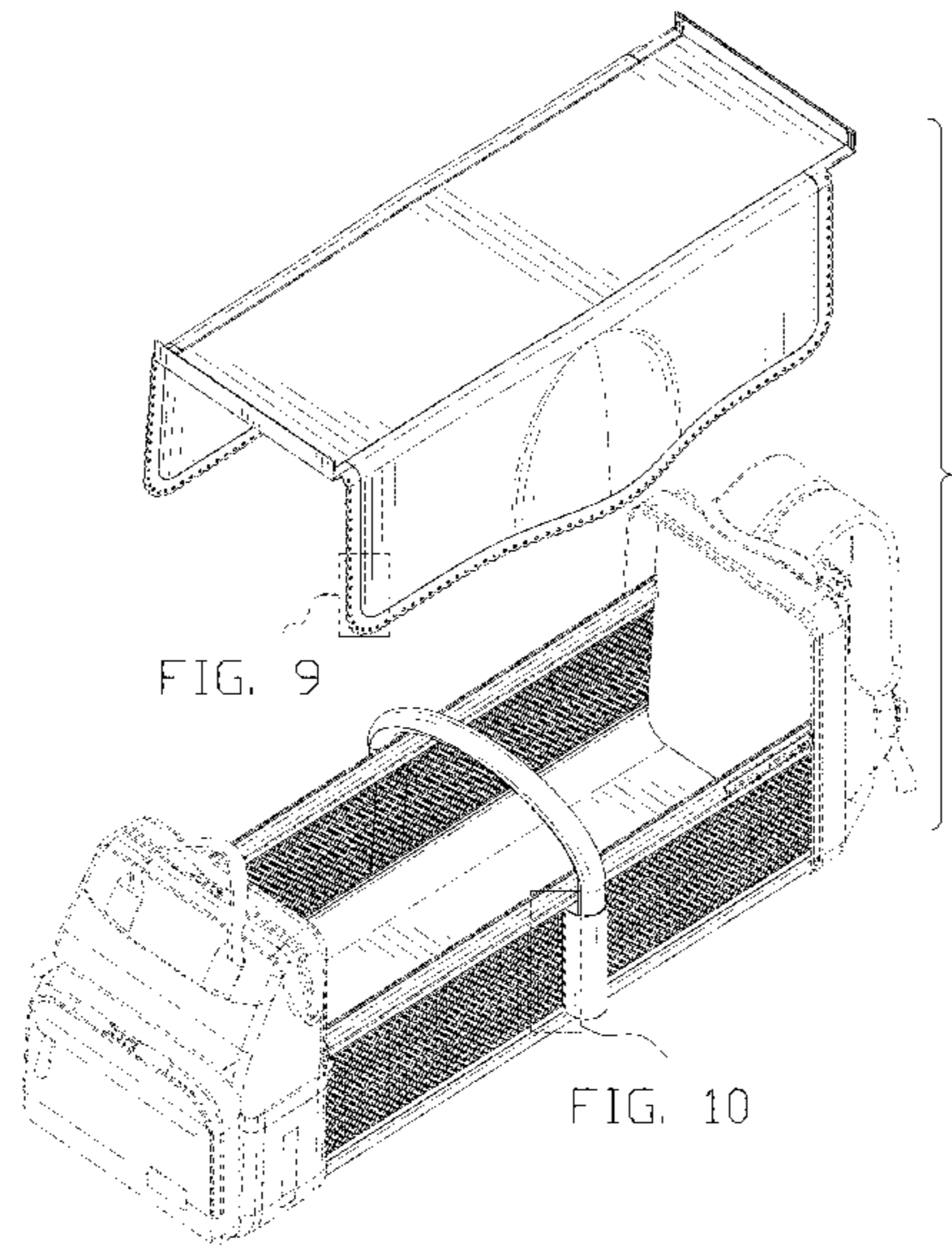
The ornamental design for a foldable diaper backpack, as shown and described.

DESCRIPTION

FIG. 1 is an exploded front and top perspective view of a foldable diaper backpack, showing my new design; FIG. 2 is a rear and bottom perspective view thereof; FIG. 3 is a front elevation view thereof; FIG. 4 is a rear elevation view thereof; FIG. 5 is a left side elevation view thereof; FIG. 6 is a right side elevation view thereof; FIG. 7 is a top plan view thereof; FIG. 8 is a bottom plan view thereof; FIG. 9 is an enlarged view of a portion labeled, 'FIG. 9' in FIG. 1; FIG. 10 is an enlarged view of a portion labeled, 'FIG. 10' in FIG. 1; and, FIG. 11 is another perspective view thereof, shown in an alternative position.

The broken lines in the figures illustrate portions of the foldable diaper backpack that form no part of the claimed design. The dash dot dash lines in FIGS. 1, 9 and 10 are for the purpose of depicting the boundary lines of the enlarged views and form no part of the claimed design.

1 Claim, 11 Drawing Sheets



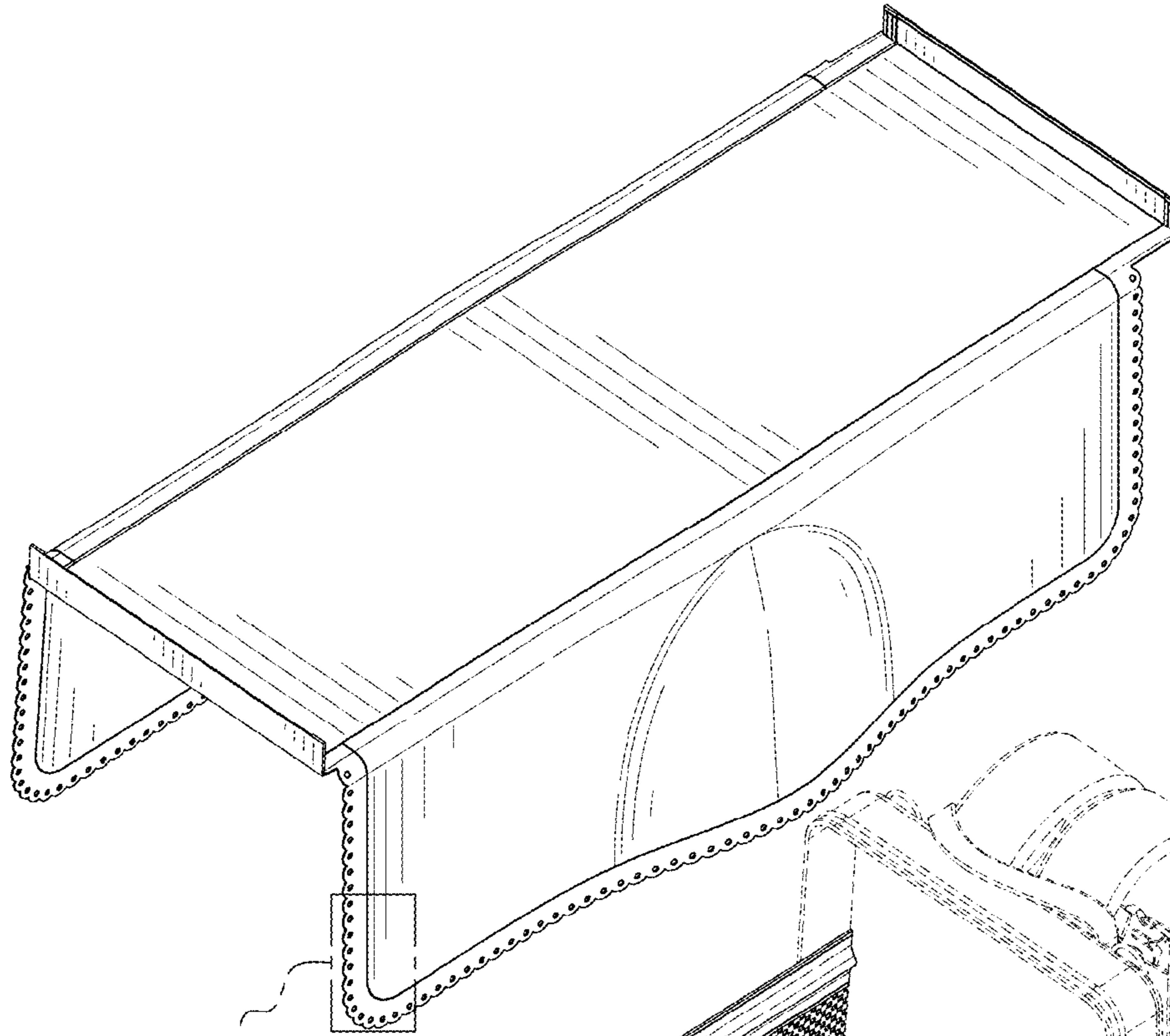


FIG. 9

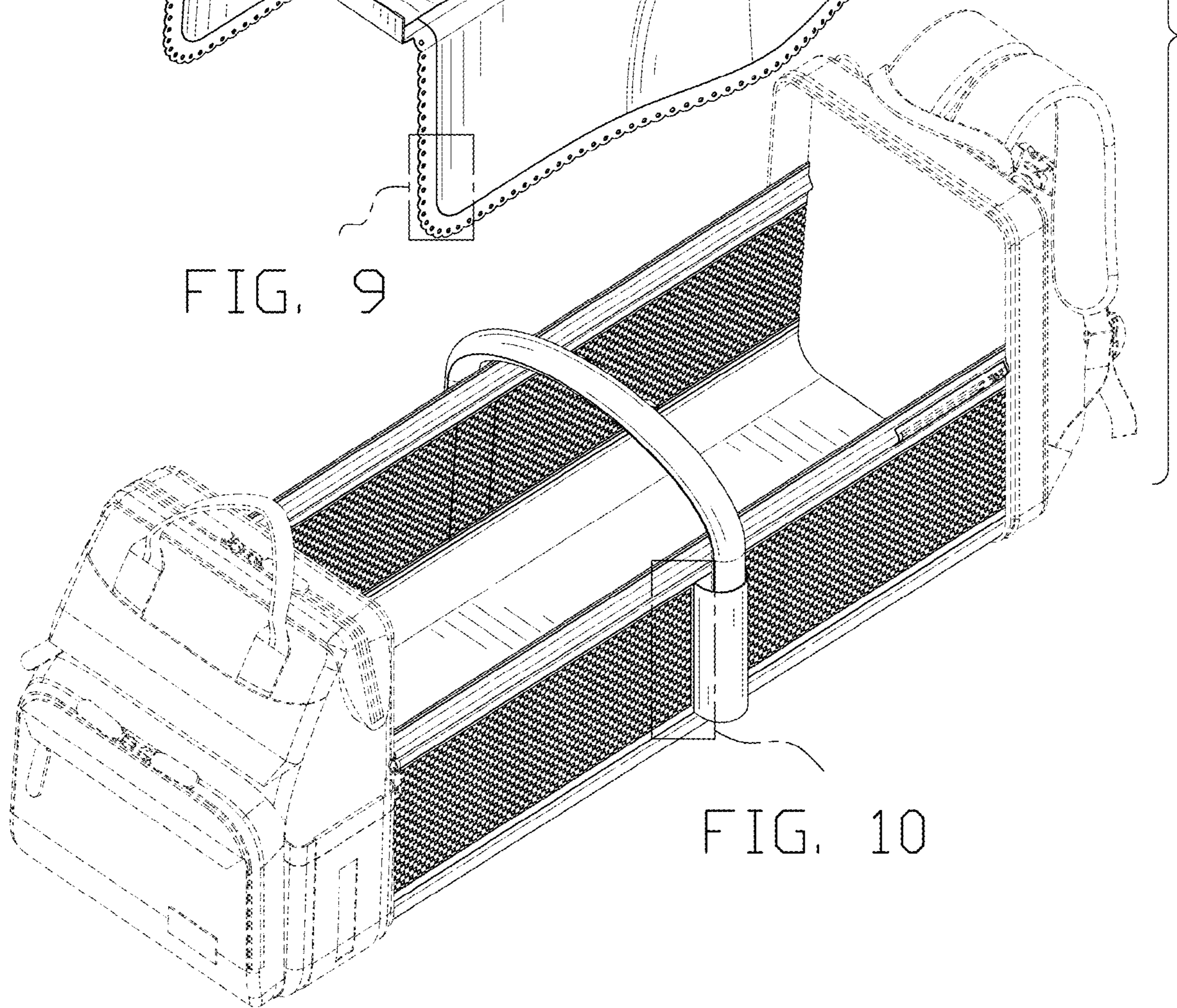


FIG. 10

FIG. 1

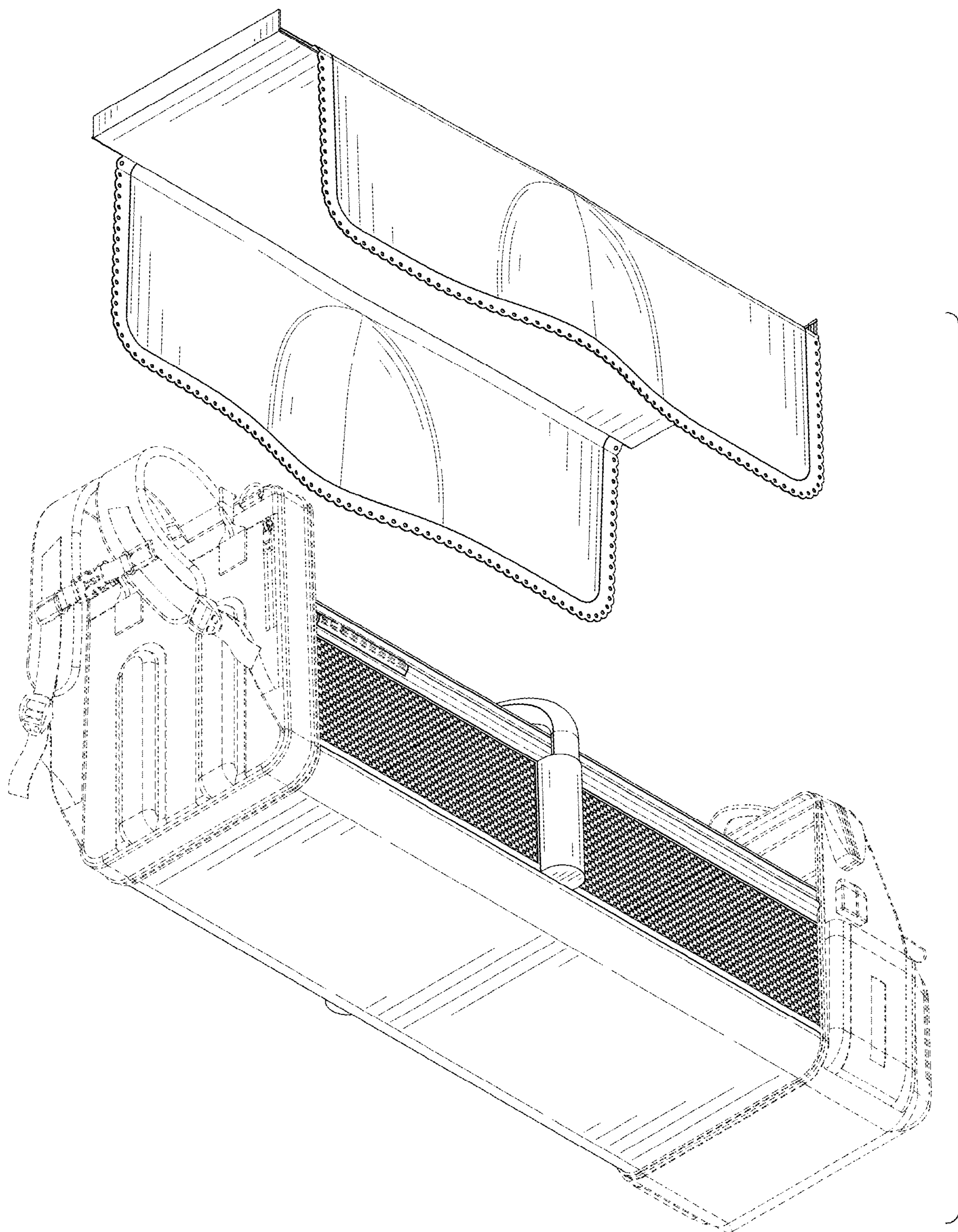


FIG. 2

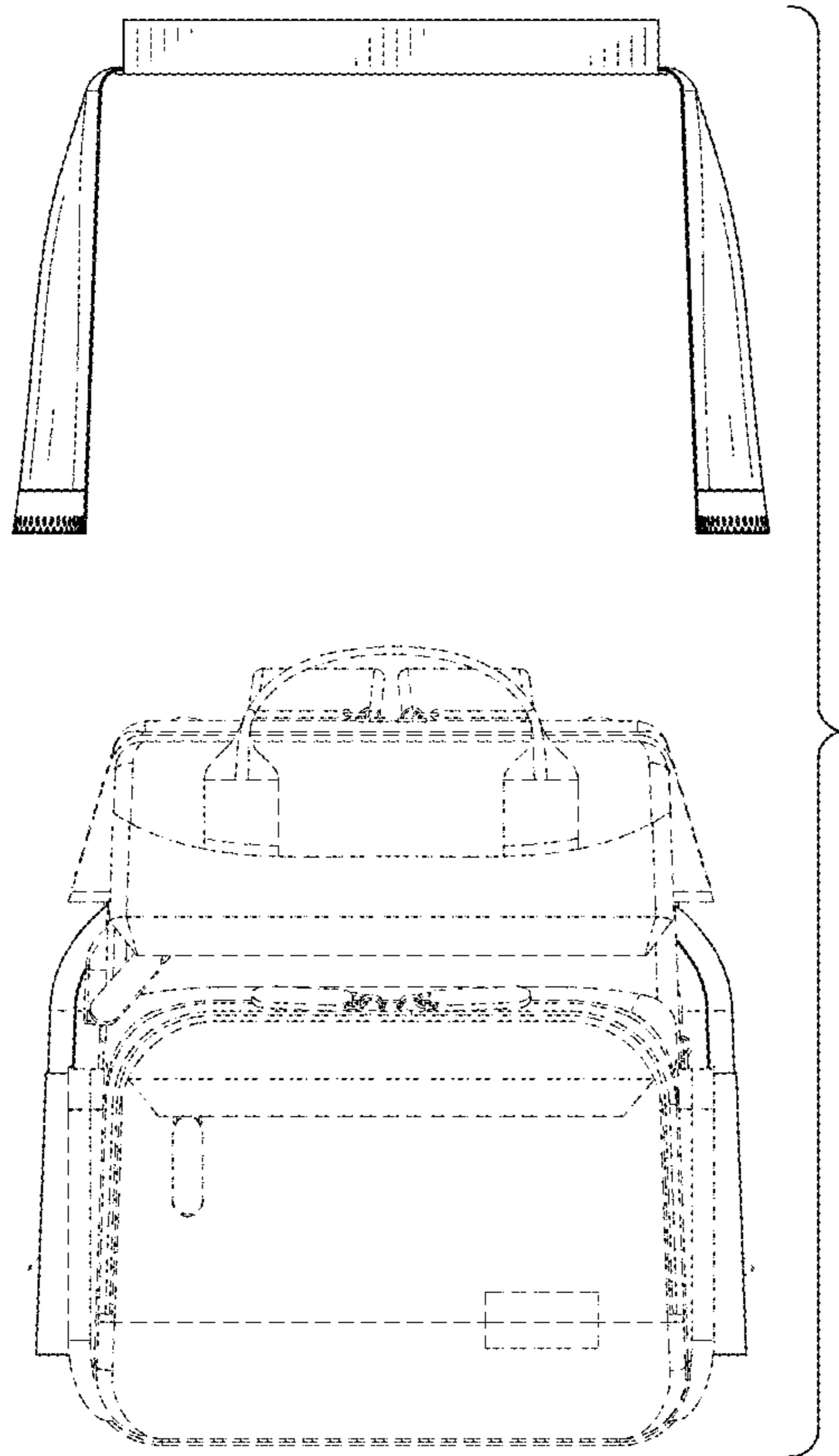


FIG. 3

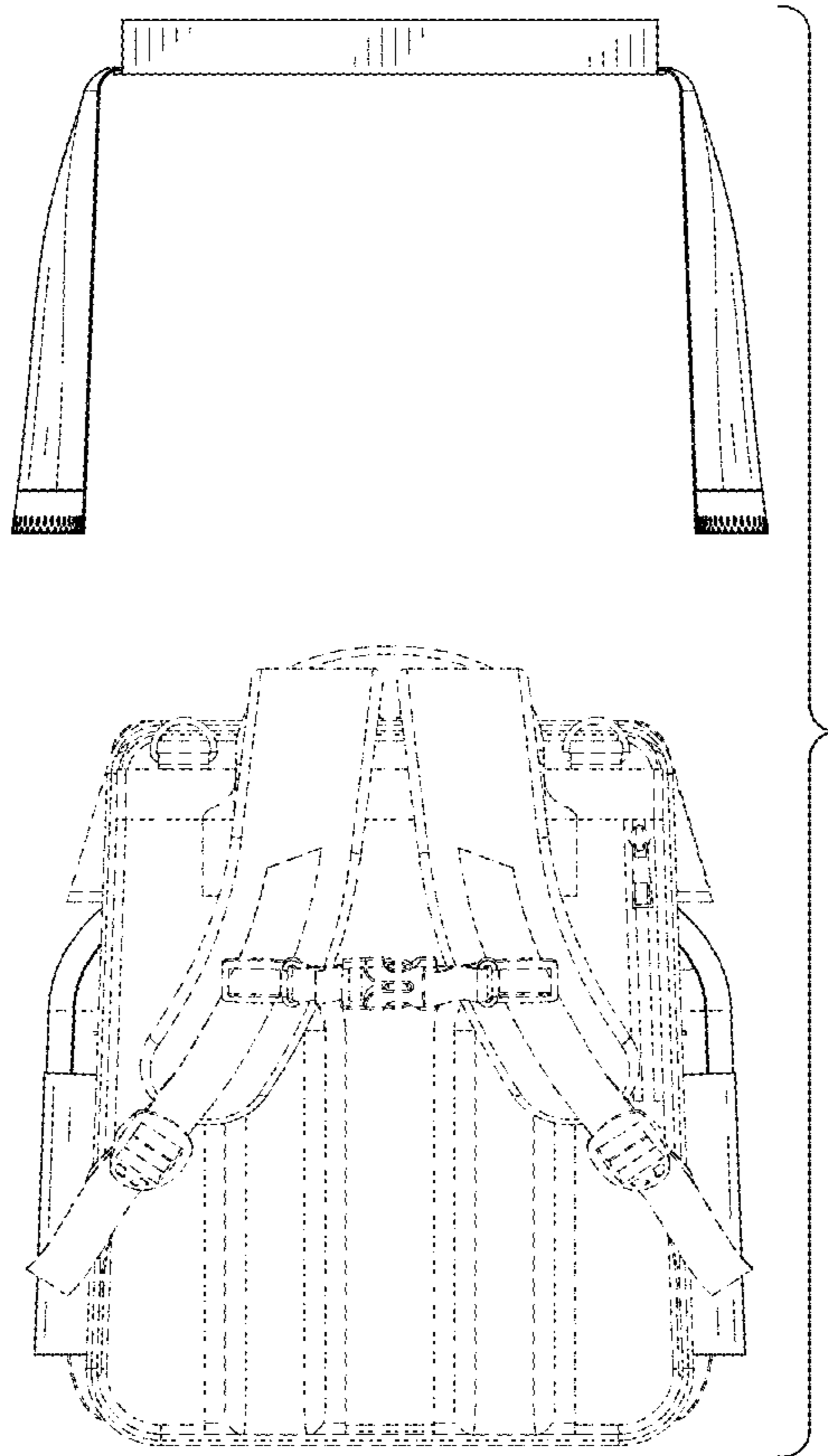


FIG. 4

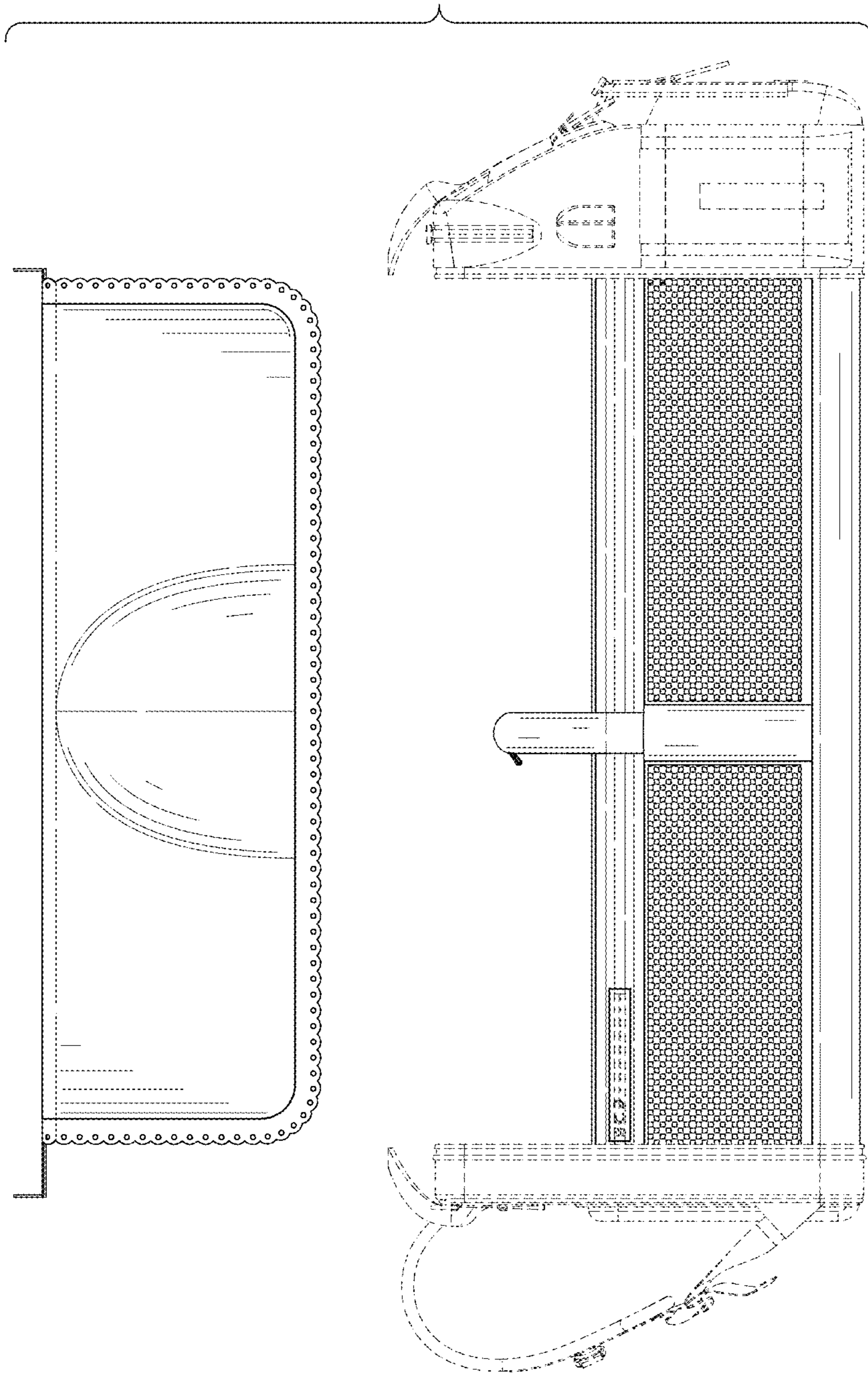


FIG. 5

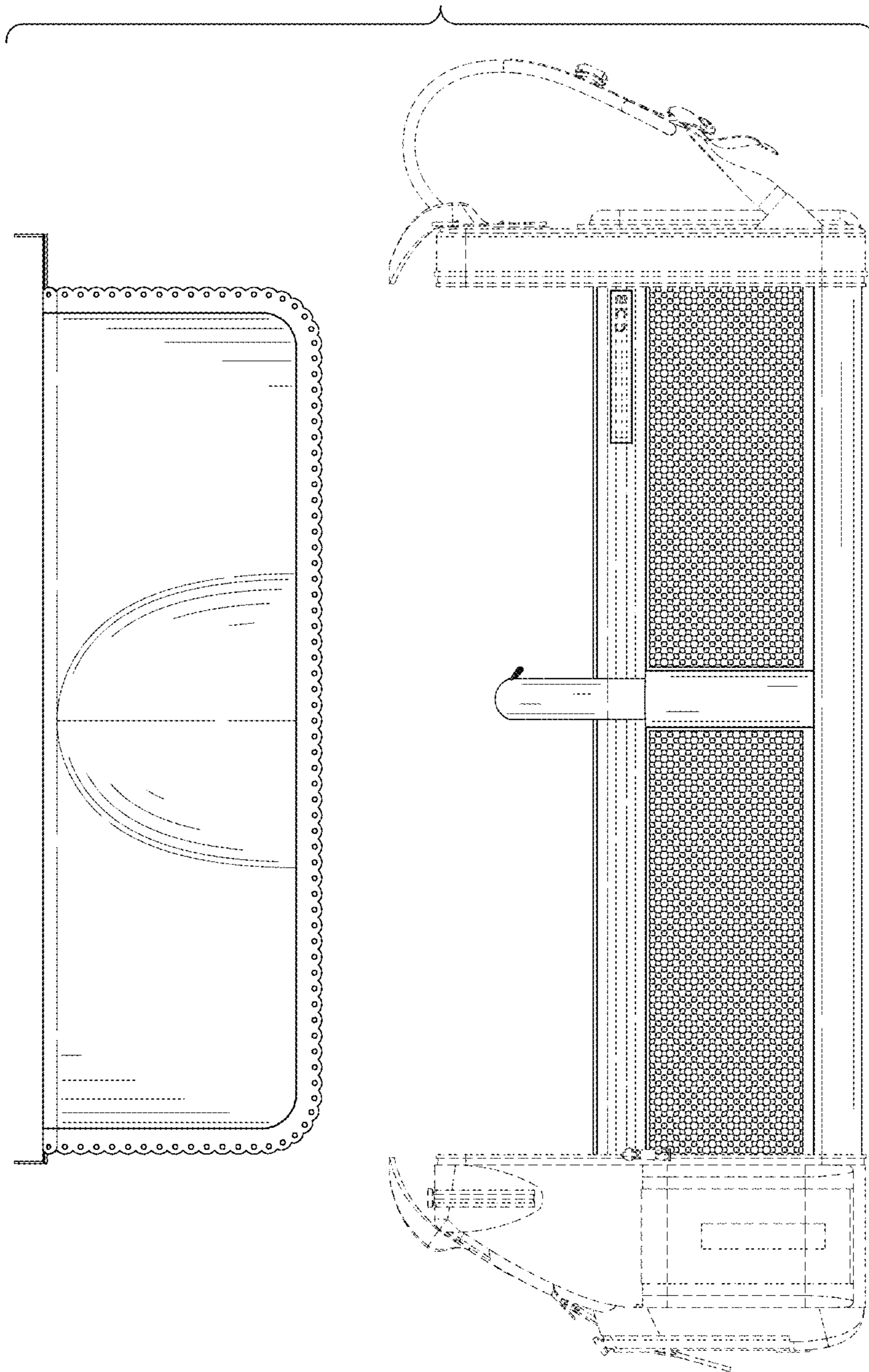


FIG. 6

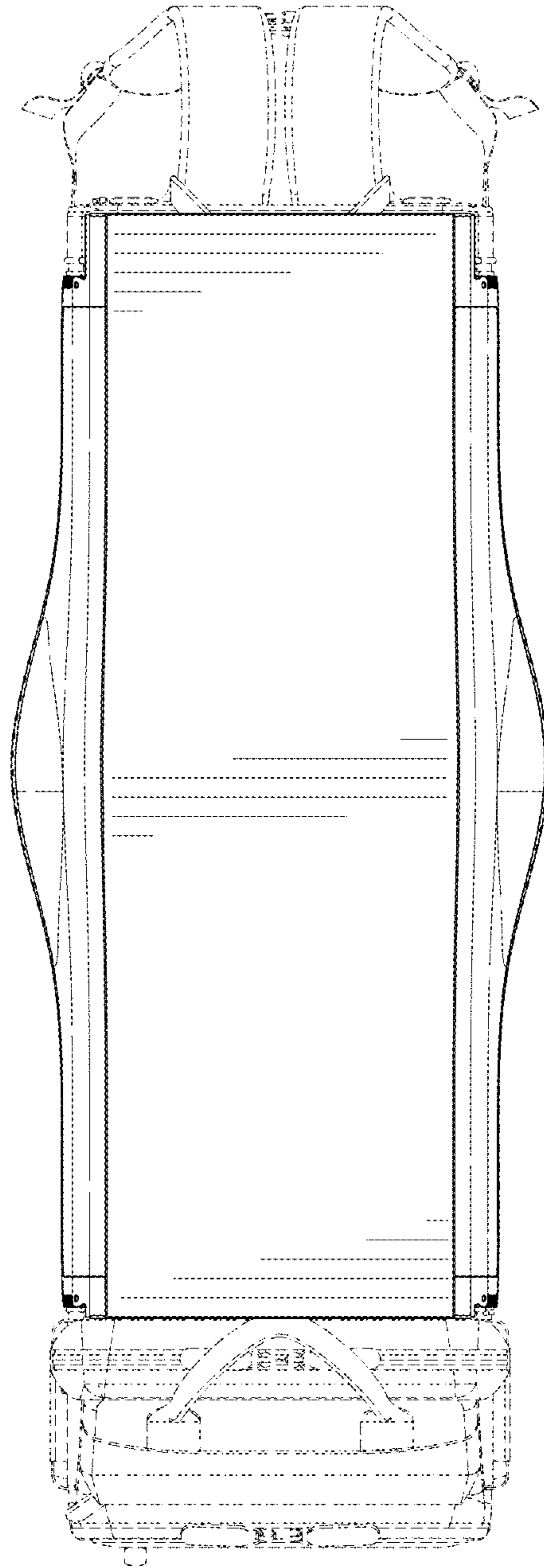


FIG. 7

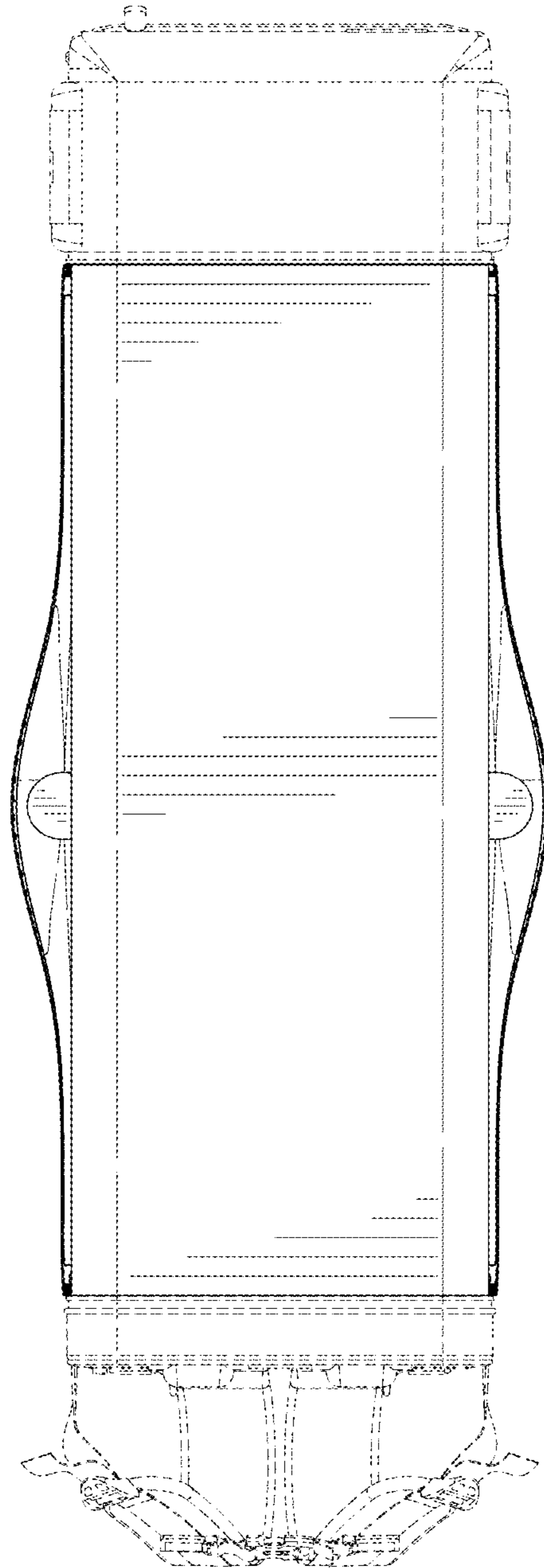


FIG. 8

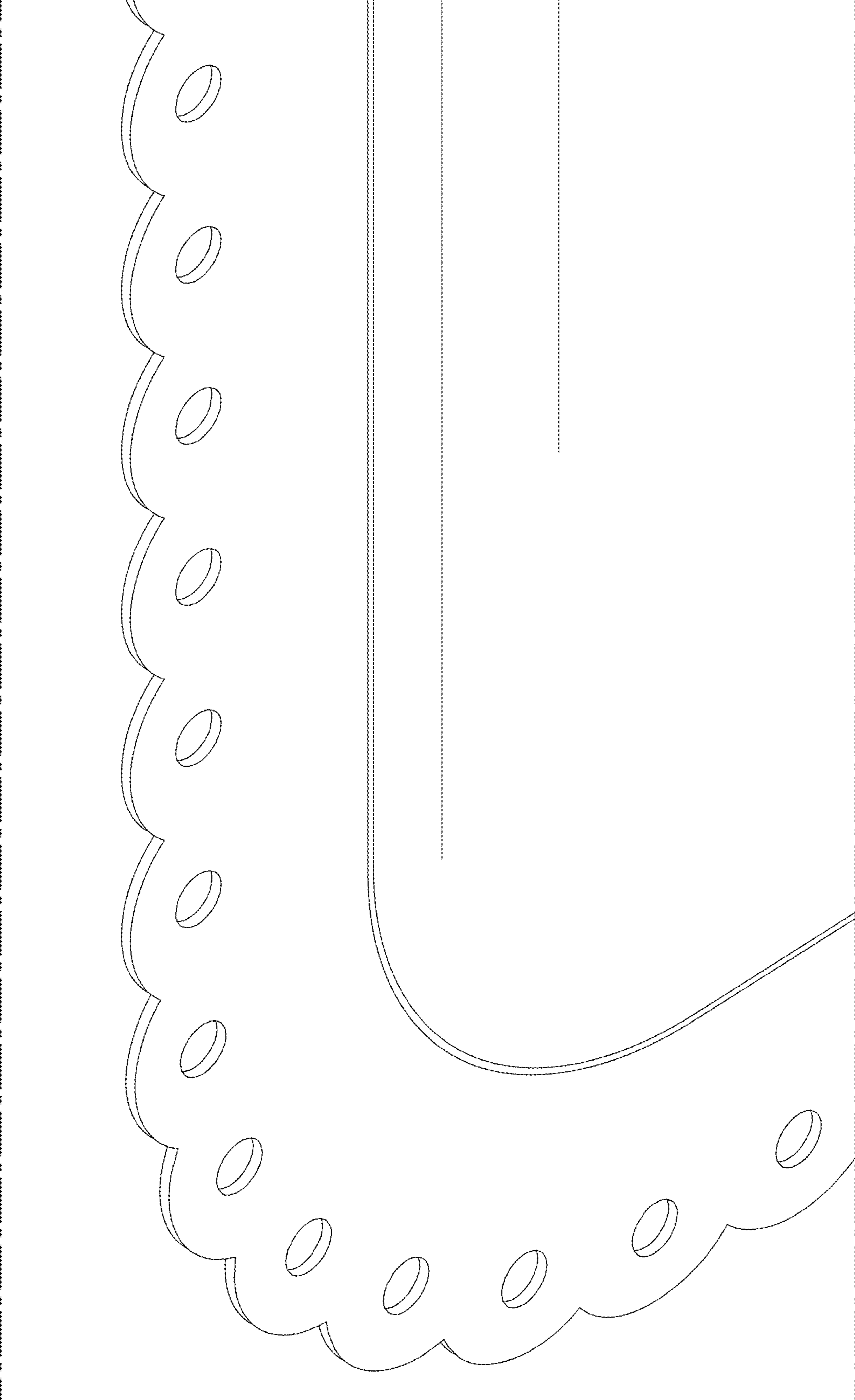


FIG. 9

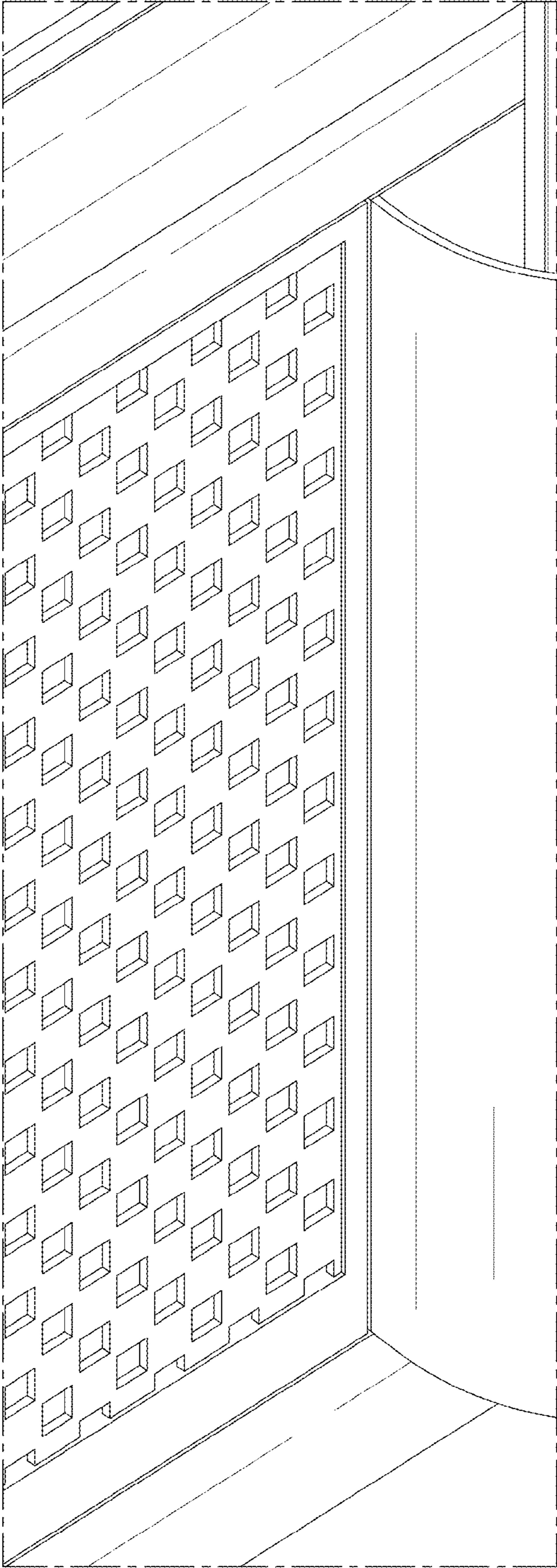


FIG. 10

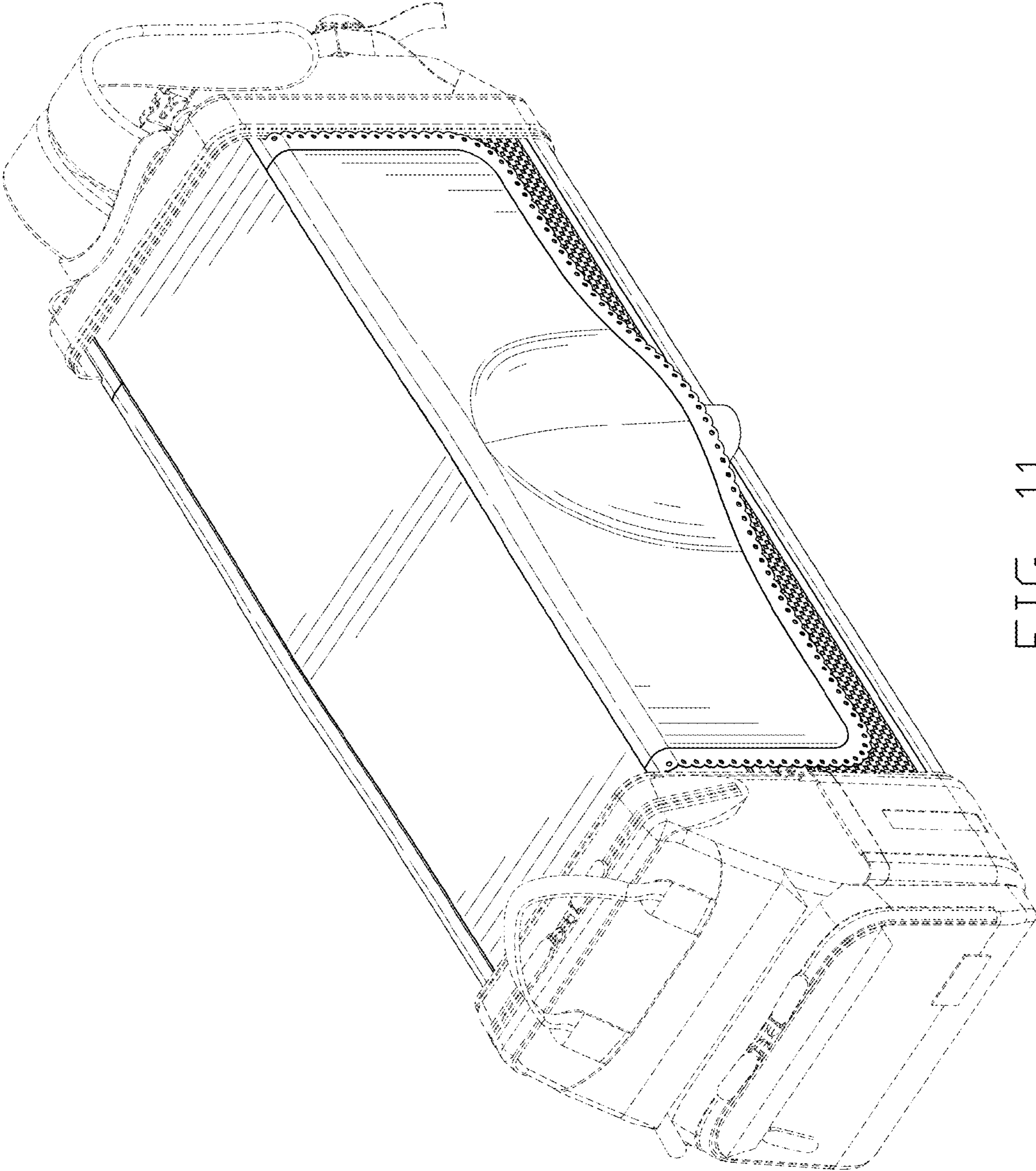


FIG. 11