



US00D959821S

(12) **United States Design Patent** (10) **Patent No.:** **US D959,821 S**  
**Ormsbee** (45) **Date of Patent:** **\*\* Aug. 9, 2022**

(54) **KEY RING**  
(71) Applicant: **Nite Ize, Inc.**, Boulder, CO (US)  
(72) Inventor: **Bowden Ormsbee**, Longmont, CO (US)  
(73) Assignee: **NITE IZE, INC.**, Boulder, CO (US)  
(\*\*) Term: **15 Years**

D784,682 S \* 4/2017 Ormsbee ..... D3/207  
D801,599 S \* 10/2017 Macca ..... D30/158  
D821,090 S \* 6/2018 Case ..... D8/356  
2009/0000086 A1\* 1/2009 Bing ..... F16B 45/06  
24/592.11  
2014/0115840 A1\* 5/2014 Liang ..... F16B 45/02  
24/600.2  
2015/0068258 A1\* 3/2015 Jiang ..... A44B 15/00  
24/601.5  
2015/0337887 A1\* 11/2015 Ormsbee ..... F16B 45/02  
24/485

(21) Appl. No.: **29/758,026**

(Continued)

(22) Filed: **Nov. 11, 2020**

FOREIGN PATENT DOCUMENTS

(51) **LOC (13) Cl.** ..... **03-01**

CN 306756170 \* 8/2021

(52) **U.S. Cl.**

USPC ..... **D3/207**

(58) **Field of Classification Search**

USPC ..... D3/207–212; D8/343, 346–348  
CPC ..... A45C 11/32; A47G 29/10; A44B 15/00;  
A44B 15/002; F16B 45/00; F16B 45/02;  
F16B 45/06

See application file for complete search history.

OTHER PUBLICATIONS

Keyrack Locker S-Biner Aluminum, unknown first available date, niteize.com [online], [site visited Mar. 21, 2022], Available at URL: <https://niteize.com/keyrack-locker-s-biner-aluminum> (Year: 2022).\*

(Continued)

(56) **References Cited**

U.S. PATENT DOCUMENTS

4,282,733 A \* 8/1981 Schmitt (Johnston) .....  
A47G 29/10  
70/456 R  
4,287,736 A \* 9/1981 Hadgis ..... A44B 15/00  
141/392  
5,174,139 A \* 12/1992 Huang ..... A44B 15/00  
70/459  
5,520,036 A \* 5/1996 Collier ..... A44B 15/002  
24/576.1  
D489,888 S \* 5/2004 Opolka ..... D3/207  
D577,574 S \* 9/2008 Liang ..... D8/367  
D624,306 S \* 9/2010 Case ..... D3/207  
D624,307 S \* 9/2010 Case ..... D3/207  
D639,046 S \* 6/2011 Ormsbee ..... D3/207  
D698,625 S \* 2/2014 Liang ..... D8/367  
D698,626 S \* 2/2014 Ormsbee ..... D8/367  
D749,314 S \* 2/2016 Huang ..... D3/207  
D749,837 S \* 2/2016 Du ..... D3/207

*Primary Examiner* — Michelle E. Wilson

*Assistant Examiner* — Caitlin A Laverty

(74) *Attorney, Agent, or Firm* — Haynes and Boone, LLP

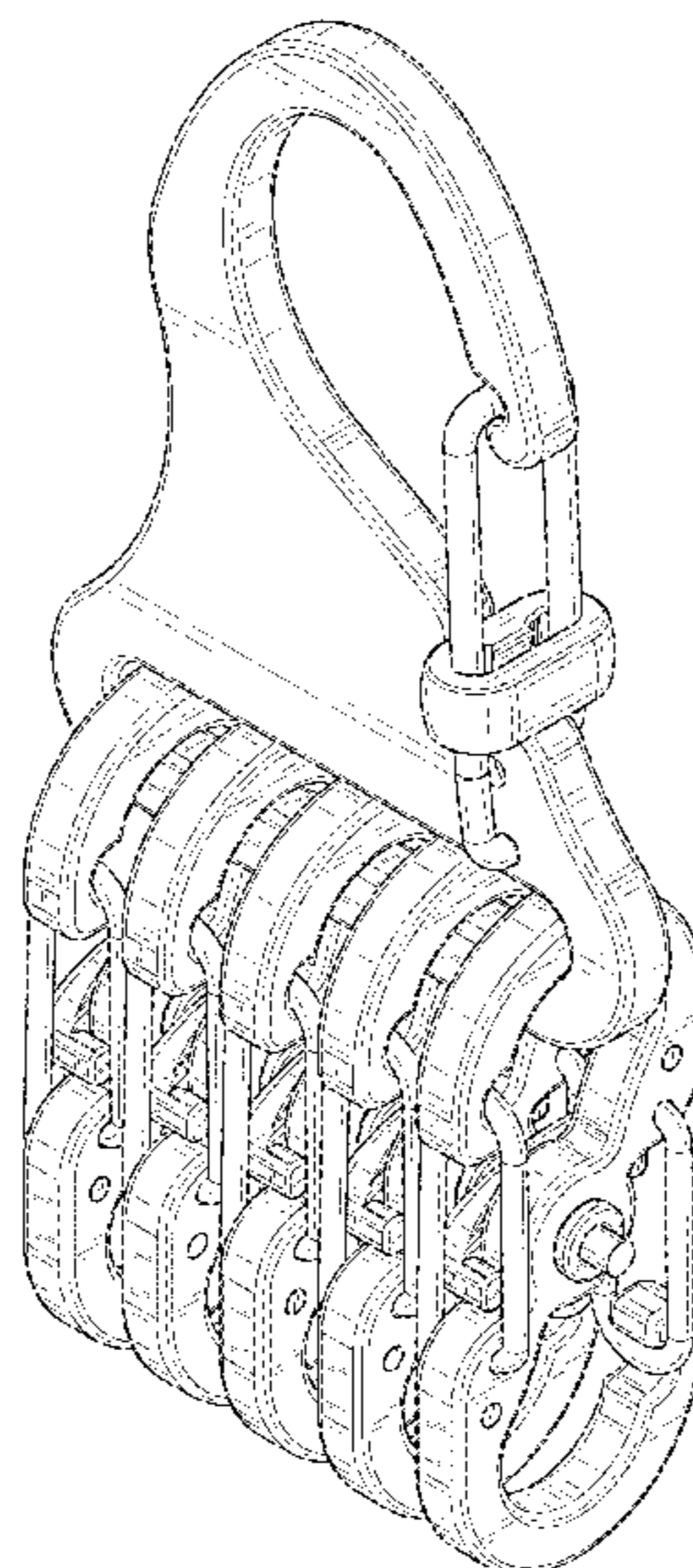
(57) **CLAIM**

The ornamental design for a key ring, as shown and described.

**DESCRIPTION**

FIG. 1 shows a front perspective view of a key ring; FIG. 2 shows a front view of the key ring of FIG. 1; FIG. 3 shows a rear view of the key ring of FIG. 1; FIG. 4 shows a left side view of the key ring of FIG. 1; FIG. 5 shows a right side view of the key ring of FIG. 1; FIG. 6 shows a top view of the key ring of FIG. 1; and, FIG. 7 shows a bottom view of the key ring of FIG. 1.

**1 Claim, 6 Drawing Sheets**



(56)

**References Cited**

U.S. PATENT DOCUMENTS

2016/0037869 A1\* 2/2016 Adelman ..... F16B 2/22  
24/598.2

OTHER PUBLICATIONS

Nite Ize KeyRack Locker, first available Aug. 20, 2009, amazon.com [online], [site visited Mar. 21, 2022], Available at URL: <https://www.amazon.com/Nite-Ize-Stainless-Carabiner-Separately/dp/B00FIX12AG?th=1> (Year: 2009).\*

\* cited by examiner

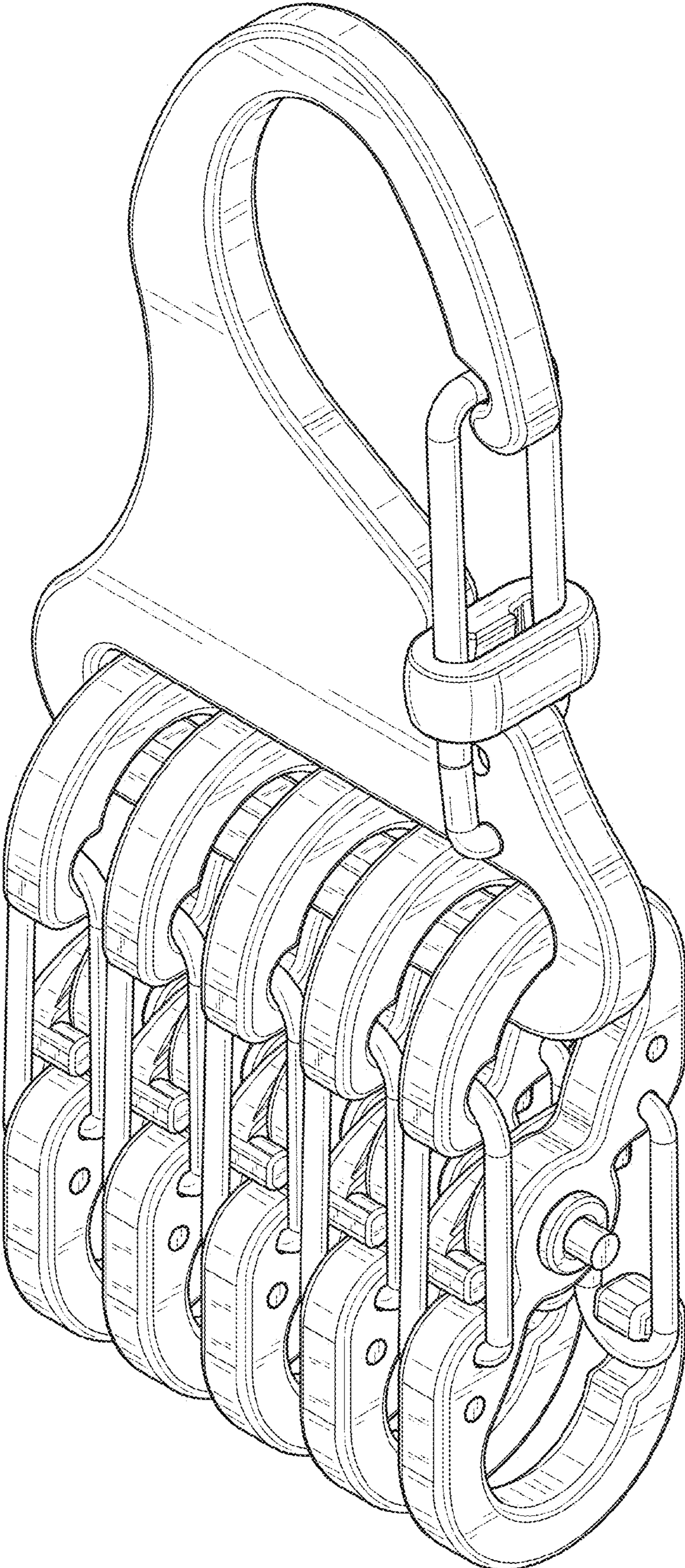


FIG. 1

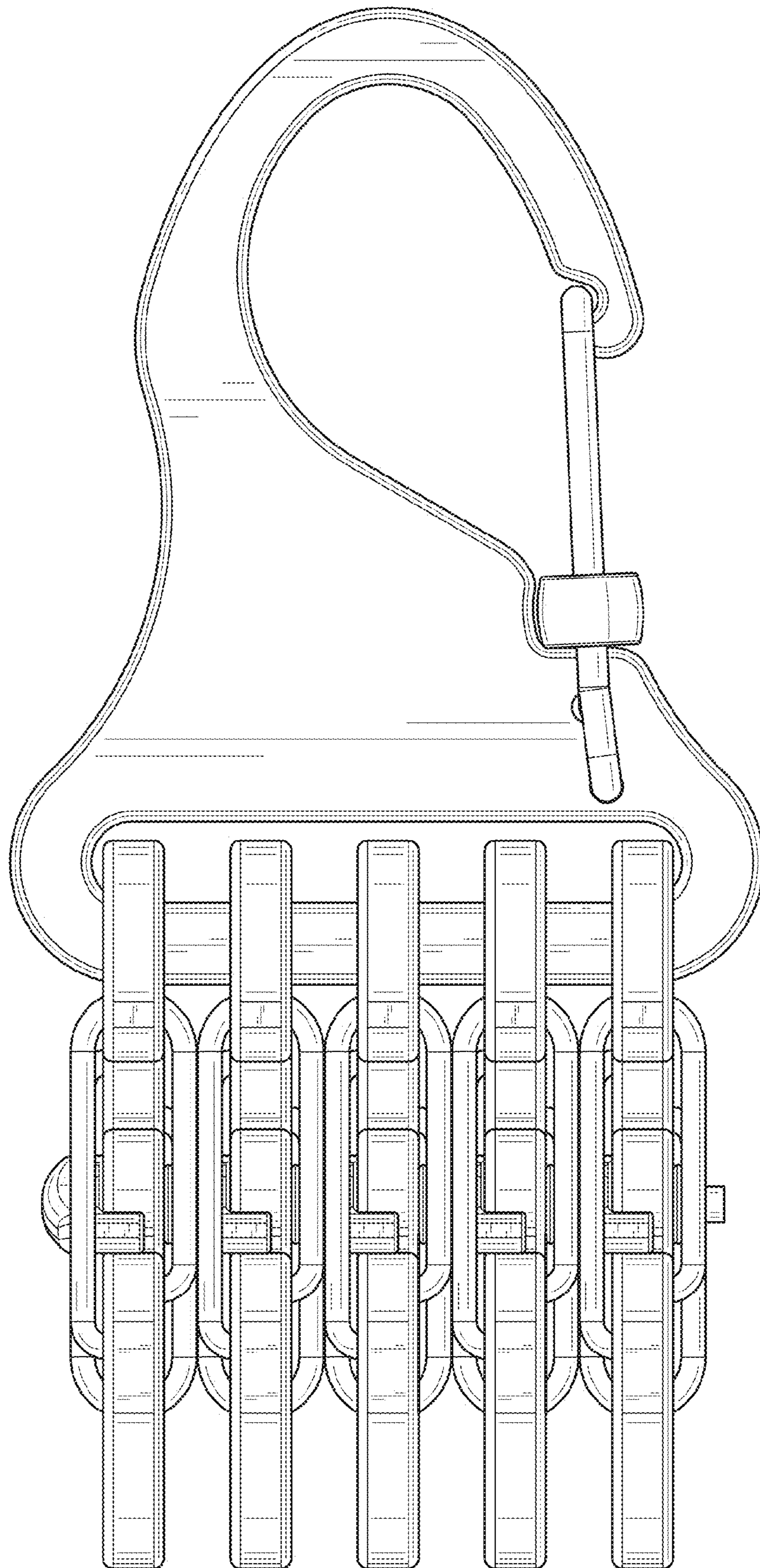


FIG. 2

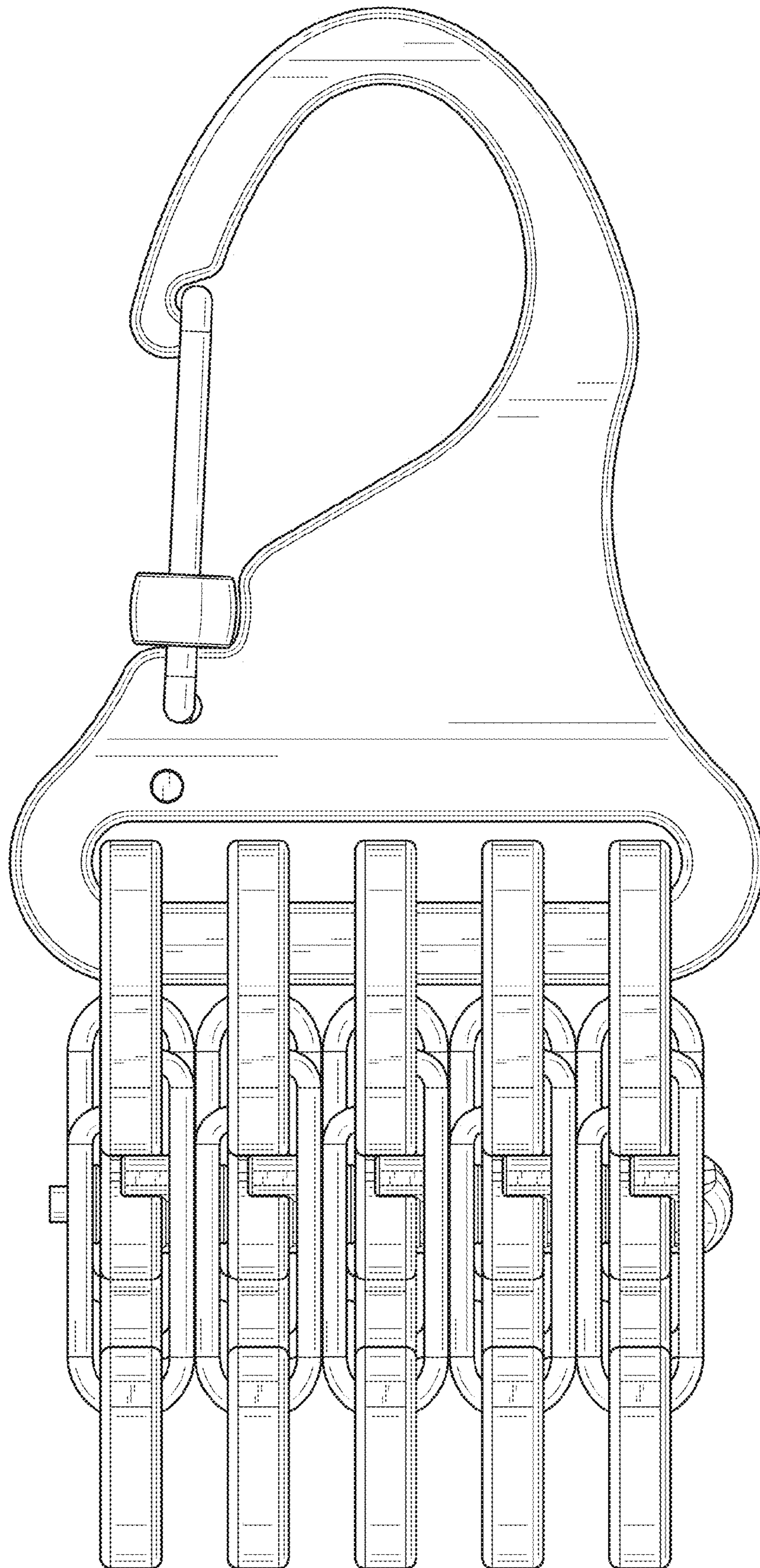


FIG. 3

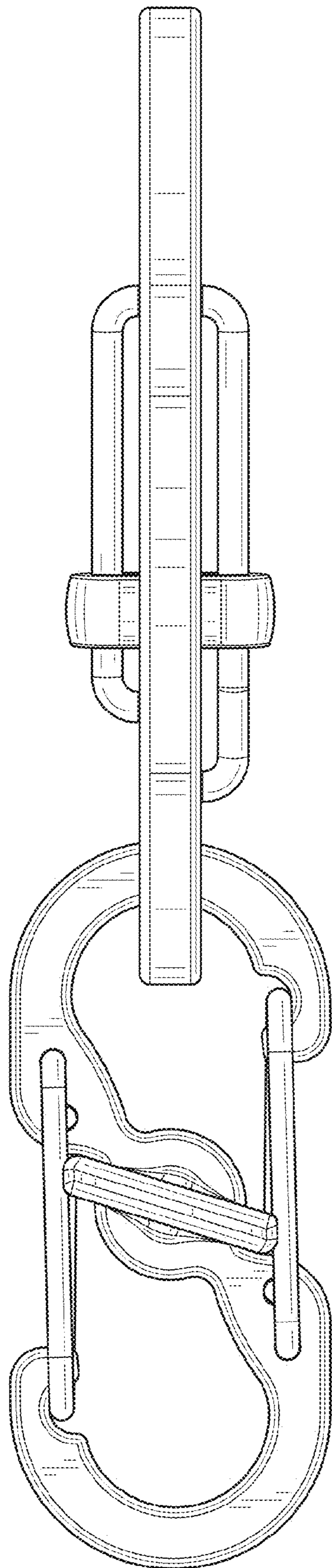


FIG. 4

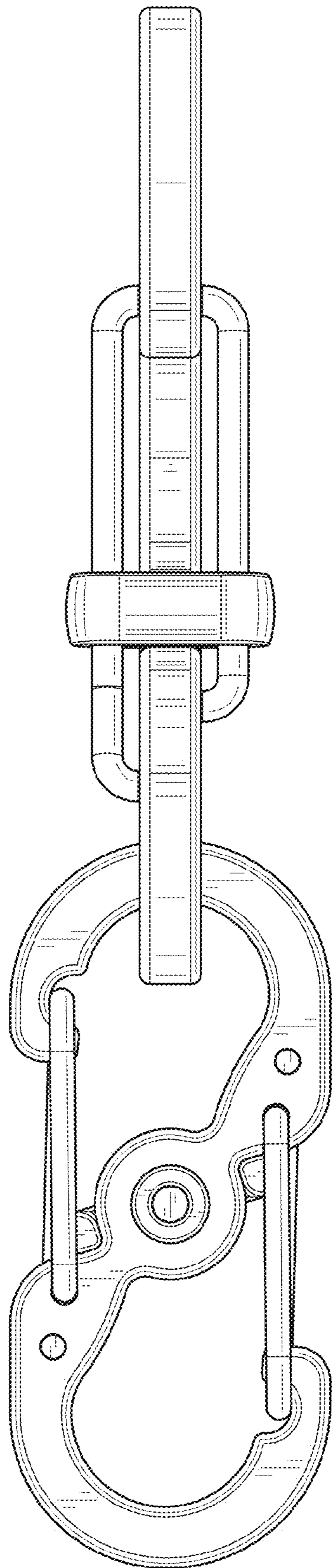


FIG. 5

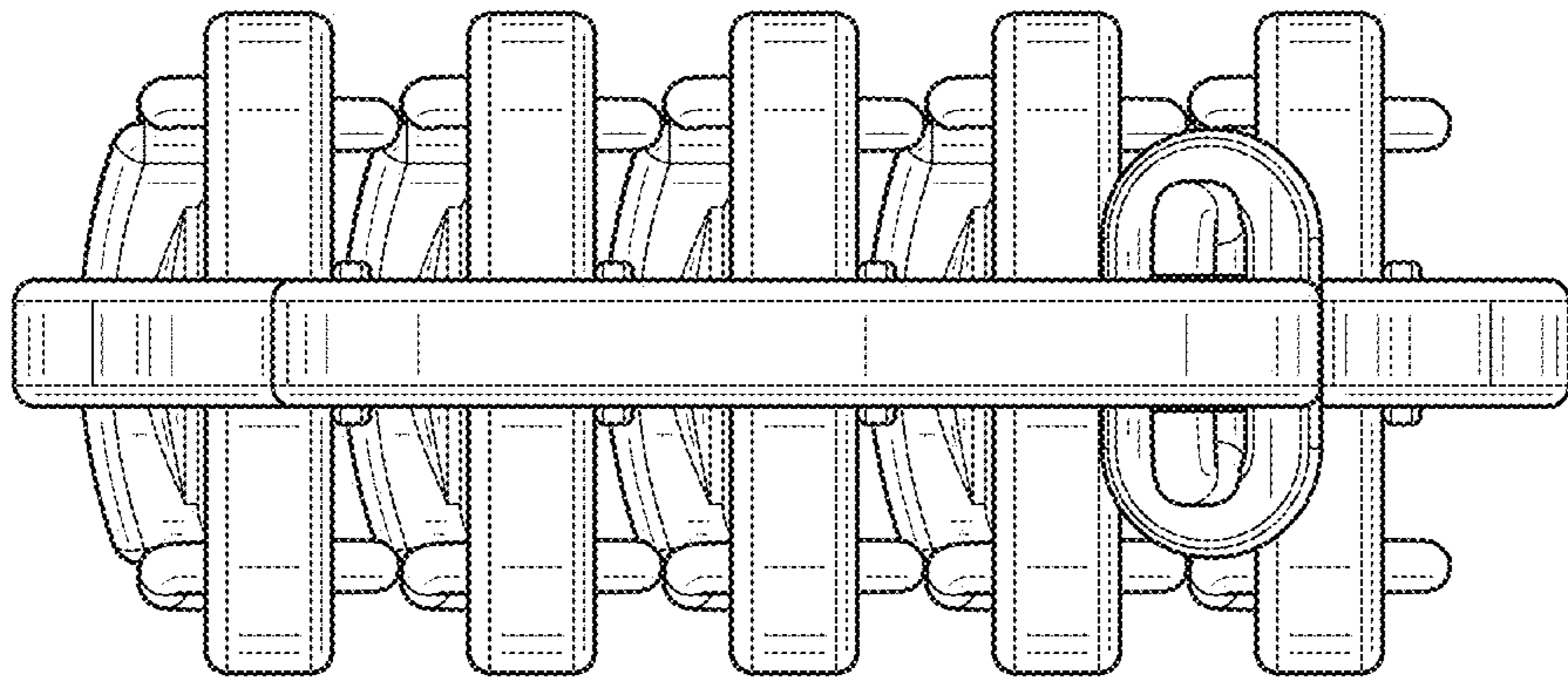


FIG. 6

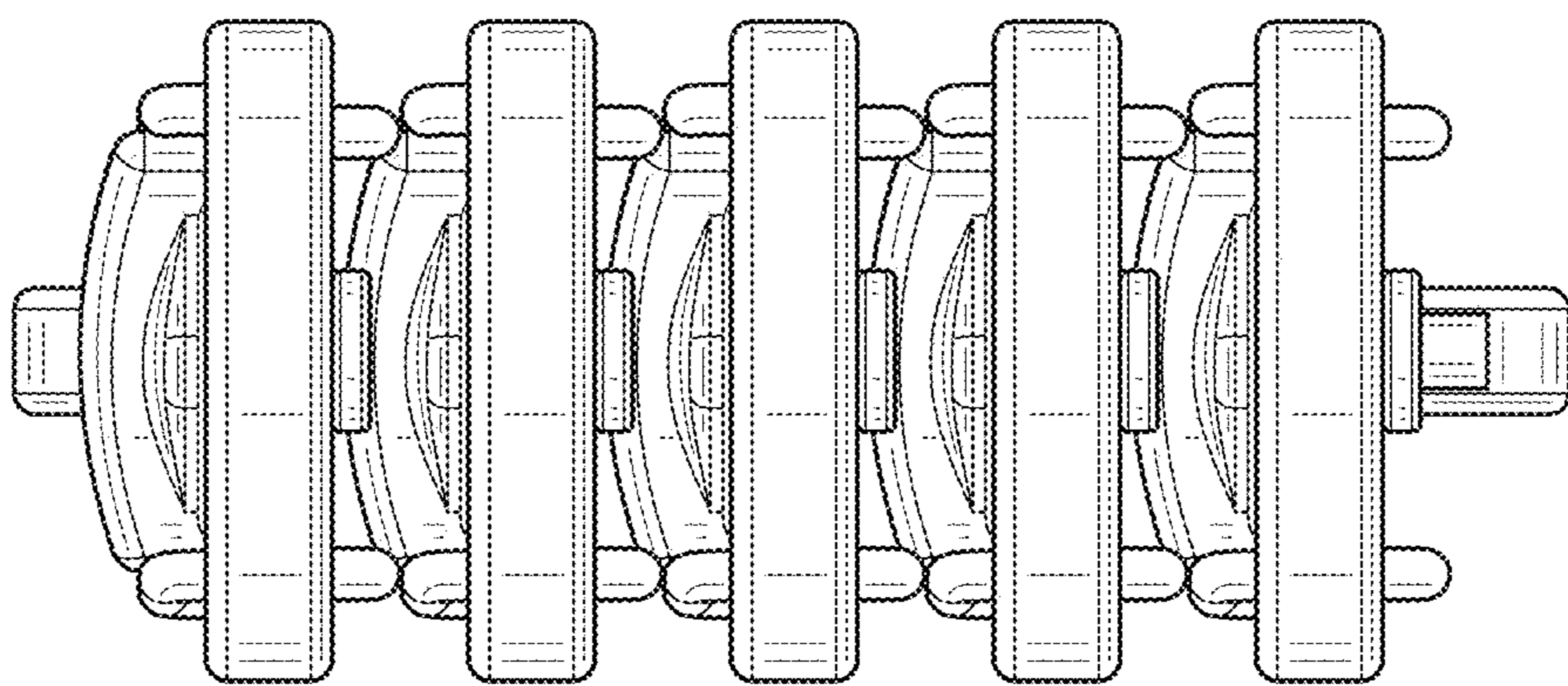


FIG. 7