



US00D959806S

(12) **United States Design Patent**
Yoo

(10) **Patent No.:** **US D959,806 S**

(45) **Date of Patent:** **** Aug. 9, 2022**

- (54) **SHOE OUTSOLE BOTTOM**
- (71) Applicant: **Skechers U.S.A., Inc. II**, Manhattan Beach, CA (US)
- (72) Inventor: **Jin Seok Yoo**, Los Angeles, CA (US)
- (73) Assignee: **Skechers U.S.A., Inc. II**, Manhattan Beach, CA (US)
- (**) Term: **15 Years**
- (21) Appl. No.: **29/785,828**
- (22) Filed: **May 27, 2021**

- 3,936,956 A * 2/1976 Famolare, Jr. A43B 13/143
36/32 R
- 4,041,618 A * 8/1977 Famolare, Jr. A43B 13/00
36/25 R
- D248,796 S * 8/1978 Famolare, Jr. D2/950
- D257,186 S * 10/1980 Famolare, Jr. D2/950
- D257,701 S * 12/1980 Famolare, Jr. D2/950
- D280,568 S 9/1985 Stubblefield
- D315,634 S 3/1991 Yung-Mao
- D399,040 S 10/1998 Merceron
- D469,949 S * 2/2003 Koo D2/960
- D503,028 S 3/2005 Merceron
- D505,537 S * 5/2005 Friedman D2/961
- D514,288 S 2/2006 Burg
- D532,190 S 11/2006 Scheurer
- D533,708 S 12/2006 Earle
- D549,933 S * 9/2007 Anderson D2/916

(Continued)

Related U.S. Application Data

- (62) Division of application No. 29/749,300, filed on Sep. 3, 2020, now Pat. No. Des. 925,183.
- (51) **LOC (13) Cl.** **02-04**
- (52) **U.S. Cl.**
USPC **D2/953**; D2/947; D2/951
- (58) **Field of Classification Search**
USPC D2/902, 906, 908, 916, 918, 925,
D2/946-962, 977; 36/3 B, 22 R, 24.5,
36/25 R, 28, 32 R, 34 R, 59 C, 67 A, 103
CPC A43B 13/00; A43B 13/02; A43B 13/023;
A43B 13/026; A43B 13/04; A43B 13/08;
A43B 13/10; A43B 13/12; A43B 13/14;
A43B 13/141; A43B 13/143; A43B
13/16; A43B 13/18; A43B 13/181; A43B
13/187; A43B 13/189; A43B 13/20; A43B
13/22; A43B 13/223; A43B 13/24; A43B
13/28; A43B 13/30; A43B 13/32; A43B
13/34; A43B 13/36
See application file for complete search history.

Primary Examiner — T Chase Nelson

(74) *Attorney, Agent, or Firm* — Marshall A. Lerner;
Steven J. Kim; Kleinberg & Lerner, LLP

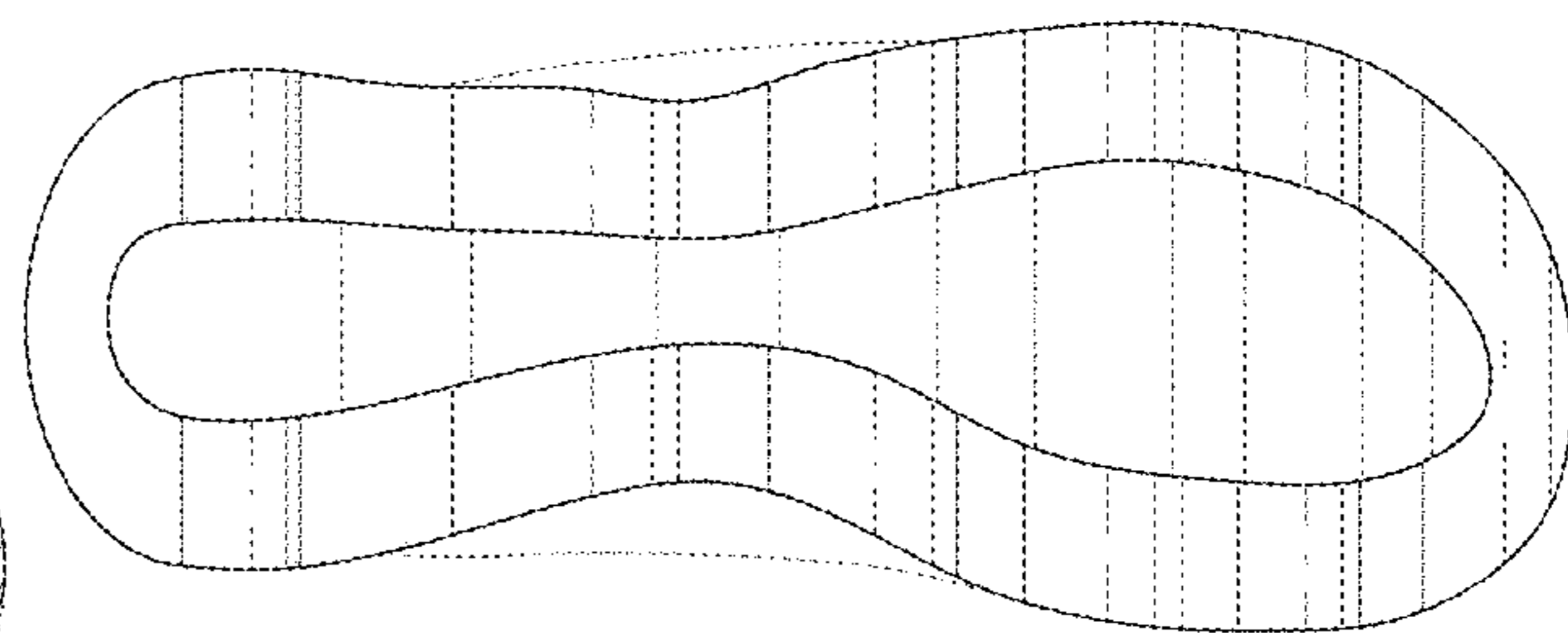
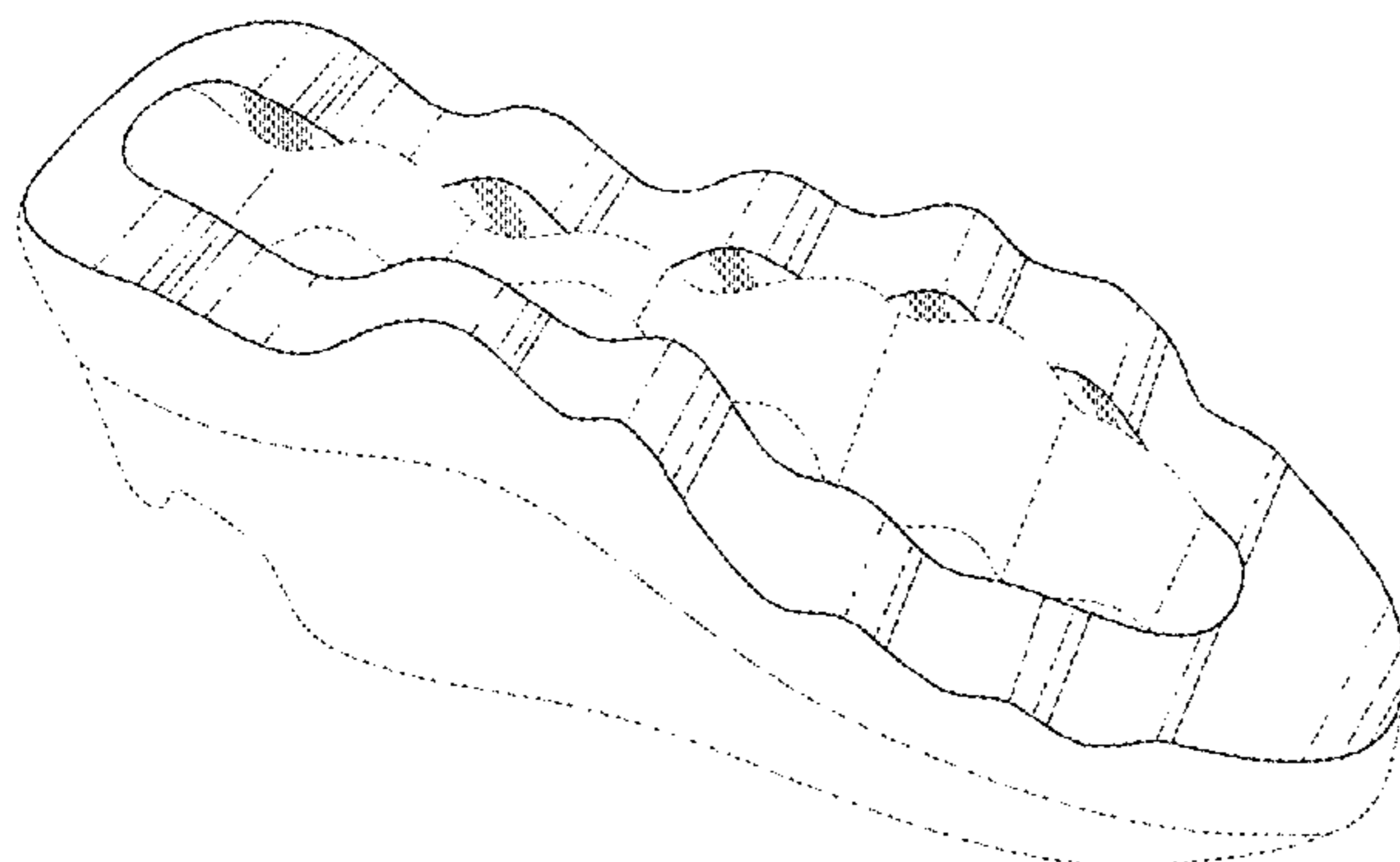
(57) **CLAIM**

The ornamental design for a shoe outsole bottom, as shown and described.

DESCRIPTION

FIG. 1 is a perspective view of a shoe outsole bottom in accordance with my new design.
 FIG. 2 is a left side elevation view thereof;
 FIG. 3 is a right side elevation view thereof;
 FIG. 4 is a top plan view thereof;
 FIG. 5 is a bottom plan view thereof;
 FIG. 6 is a rear elevation view thereof; and,
 FIG. 7 is a front elevation view thereof.
 The broken lines shown in the drawings represent portions of the shoe upper, midsole periphery and outsole bottom that form no part of the claimed design.

1 Claim, 6 Drawing Sheets



(56)

References Cited

U.S. PATENT DOCUMENTS

D606,292 S *	12/2009	Ong	D2/947	D827,265 S	9/2018	Hardigan et al.	
7,886,461 B2 *	2/2011	Sato	A43B 13/183 36/27	D833,129 S	11/2018	Fudalik	
D649,753 S	12/2011	Callahan et al.			D843,095 S *	3/2019	Birkinhead D2/947
D649,754 S	12/2011	Callahan et al.			D848,713 S	5/2019	Blauer	
D652,201 S	1/2012	Vestuti et al.			D858,951 S	9/2019	Luh et al.	
D655,901 S	3/2012	Raysse			D861,308 S *	10/2019	Chang D2/947
D660,568 S	5/2012	Blakeslee			D861,309 S *	10/2019	Wang D2/951
D667,619 S	9/2012	Blakeslee			D862,056 S *	10/2019	Wang D2/947
D668,028 S	10/2012	Pope			D872,431 S *	1/2020	Petrenka D2/947
D674,581 S *	1/2013	Callahan	D2/947	D872,983 S	1/2020	Louboutin	
D674,997 S *	1/2013	Callahan	D2/947	D873,547 S *	1/2020	Rauner D2/947
8,365,445 B2 *	2/2013	Sink	A43B 7/32 36/114	D874,105 S *	2/2020	Rauner D2/947
D677,456 S *	3/2013	Knight	D2/961	D874,106 S *	2/2020	Rauner D2/947
D682,522 S	5/2013	Raysse			D874,803 S	2/2020	Spring	
D684,348 S	6/2013	Castellon			D876,052 S	2/2020	Hartmann	
D691,787 S *	10/2013	Callahan	D2/947	D882,219 S	4/2020	Hartmann	
8,707,587 B2 *	4/2014	Christensen	A43B 7/32 36/31	D887,118 S	6/2020	Enayah	
D708,430 S	7/2014	Weeks			D900,444 S	11/2020	Brunner	
D711,636 S	8/2014	Christensen et al.			D901,853 S *	11/2020	Hartmann D2/947
D713,134 S	9/2014	Hardigan et al.			D901,866 S	11/2020	Brunner	
D714,038 S	9/2014	Portzline			D901,867 S *	11/2020	Kfir D2/961
D716,531 S	11/2014	Youn			D902,540 S *	11/2020	Hartmann D2/947
9,015,962 B2 *	4/2015	Boudreau	A43B 13/186 36/27	D905,944 S *	12/2020	Heald A43B 13/00 D2/947
D730,638 S	6/2015	Christensen et al.			D906,650 S *	1/2021	Spring A43B 13/143 D2/947
9,392,843 B2 *	7/2016	Callahan	A43B 3/0057	D925,183 S *	7/2021	Yoo A43B 13/20 D2/947
D764,782 S	8/2016	Hardigan et al.			D929,090 S *	8/2021	Yoo A43B 13/181 D2/947
9,433,256 B2 *	9/2016	Callahan	A43B 3/0057	D934,539 S *	11/2021	Louboutin A43B 7/144 D2/947
D785,306 S	5/2017	Georgoulakis			2001/0052194 A1 *	12/2001	Nishiwaki A43B 7/144 36/35 R
D785,307 S	5/2017	Georgoulakis			2006/0277792 A1 *	12/2006	Schoenborn A43B 13/181 36/28
D798,550 S	10/2017	Fudalik			2008/0289224 A1 *	11/2008	Sink A43B 7/32 36/114
9,775,403 B2 *	10/2017	Bernhard	A43B 13/181	2015/0230549 A1 *	8/2015	Bernhard A43B 13/20 36/25 R
D804,159 S *	12/2017	Allemann	D2/947	2018/0009187 A1 *	1/2018	Park A43B 13/184
D808,626 S	1/2018	Matsui			2018/0125148 A1 *	5/2018	Elder A43B 13/125
9,872,536 B2 *	1/2018	Healy	A43B 13/187	2018/0255871 A1 *	9/2018	Conway A43B 13/14
D809,253 S	2/2018	Brunner			2021/0093040 A1 *	4/2021	Yoshida A43B 13/04
D813,503 S	3/2018	Brunner			2021/0112917 A1 *	4/2021	Bock A43B 13/223
D813,504 S	3/2018	Brunner						
D814,750 S	4/2018	Granger et al.						
D821,070 S	6/2018	Brunner						
D822,957 S	7/2018	Brunner						

* cited by examiner

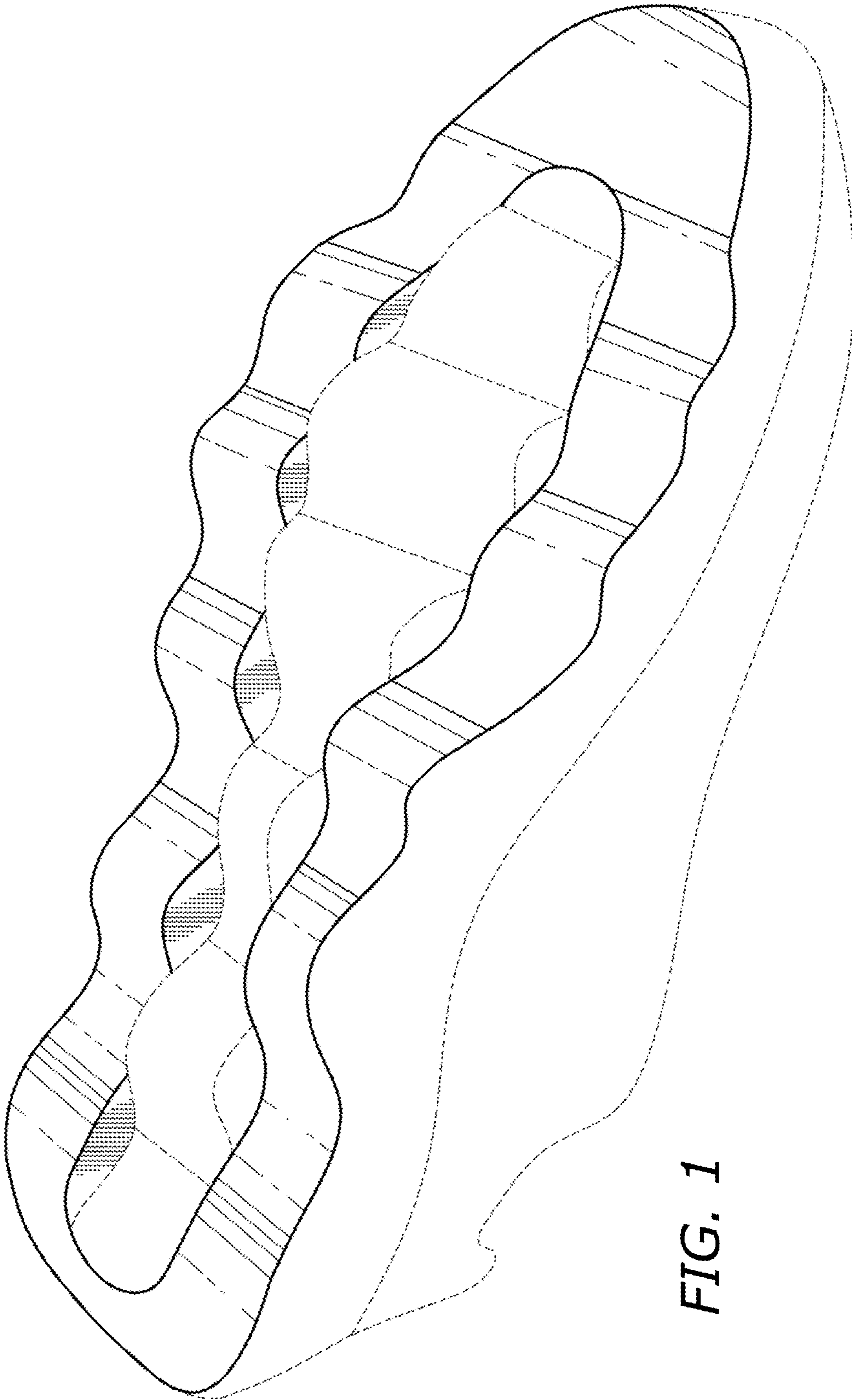


FIG. 1

FIG. 2

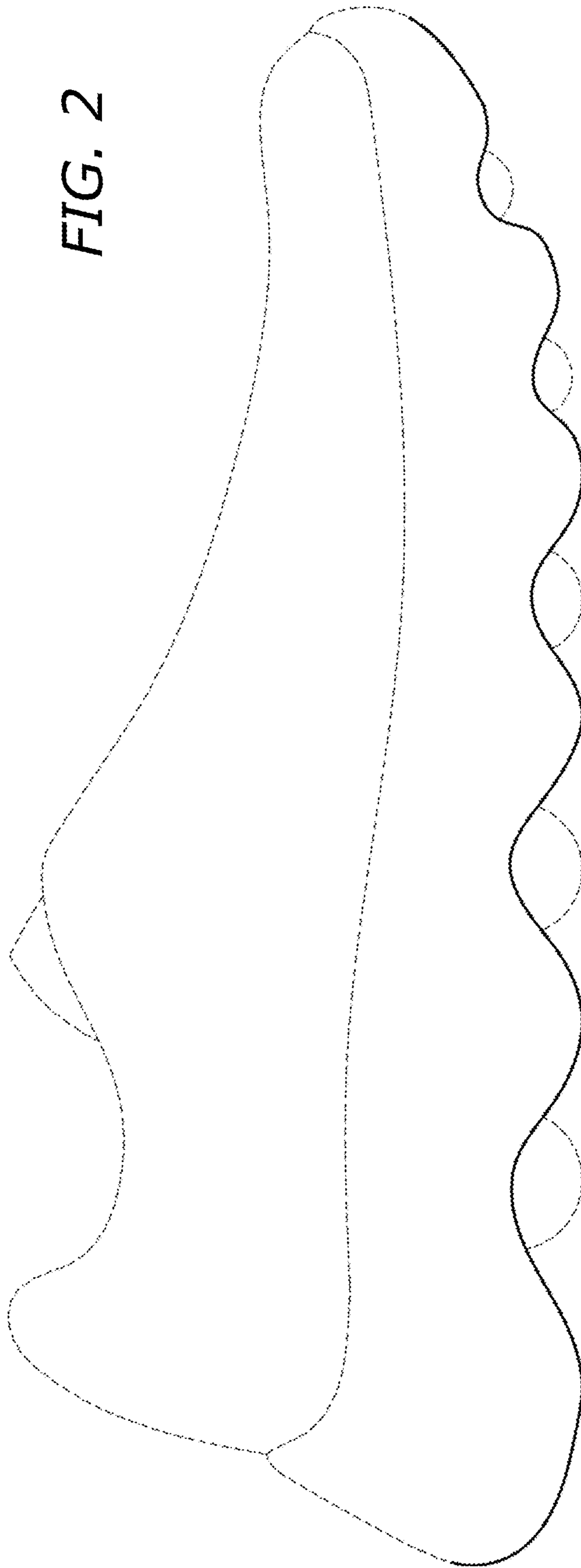
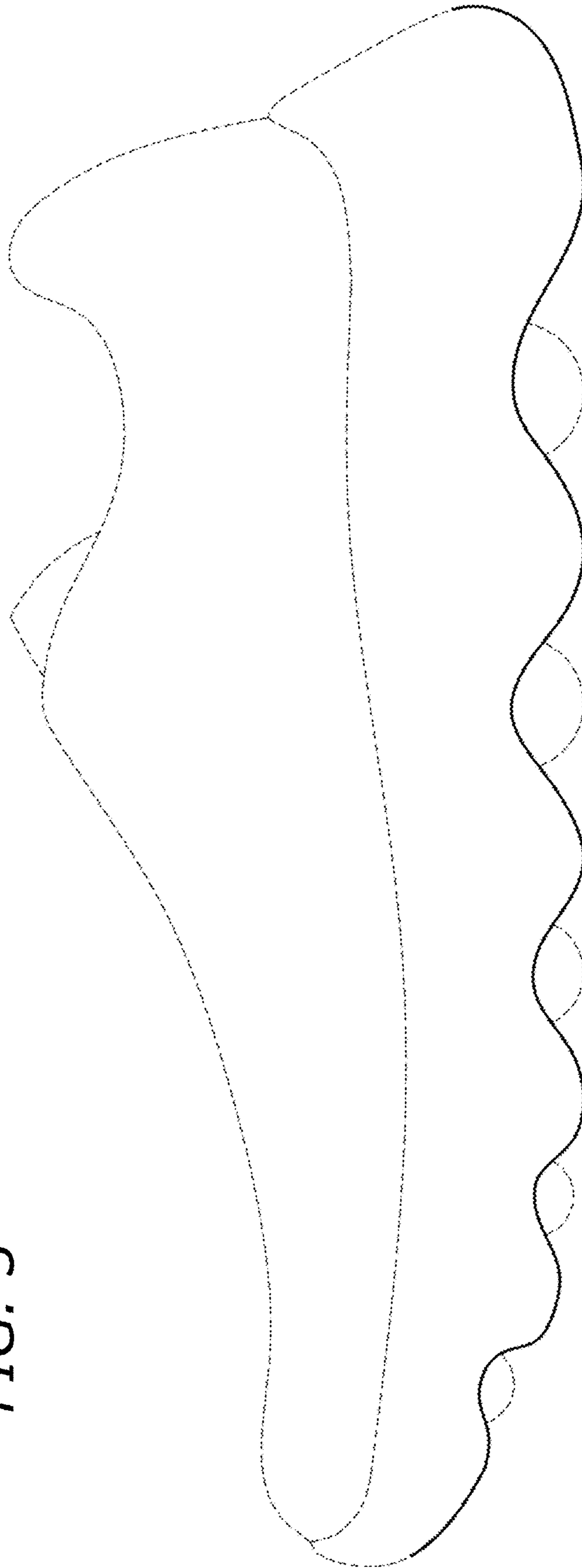


FIG. 3



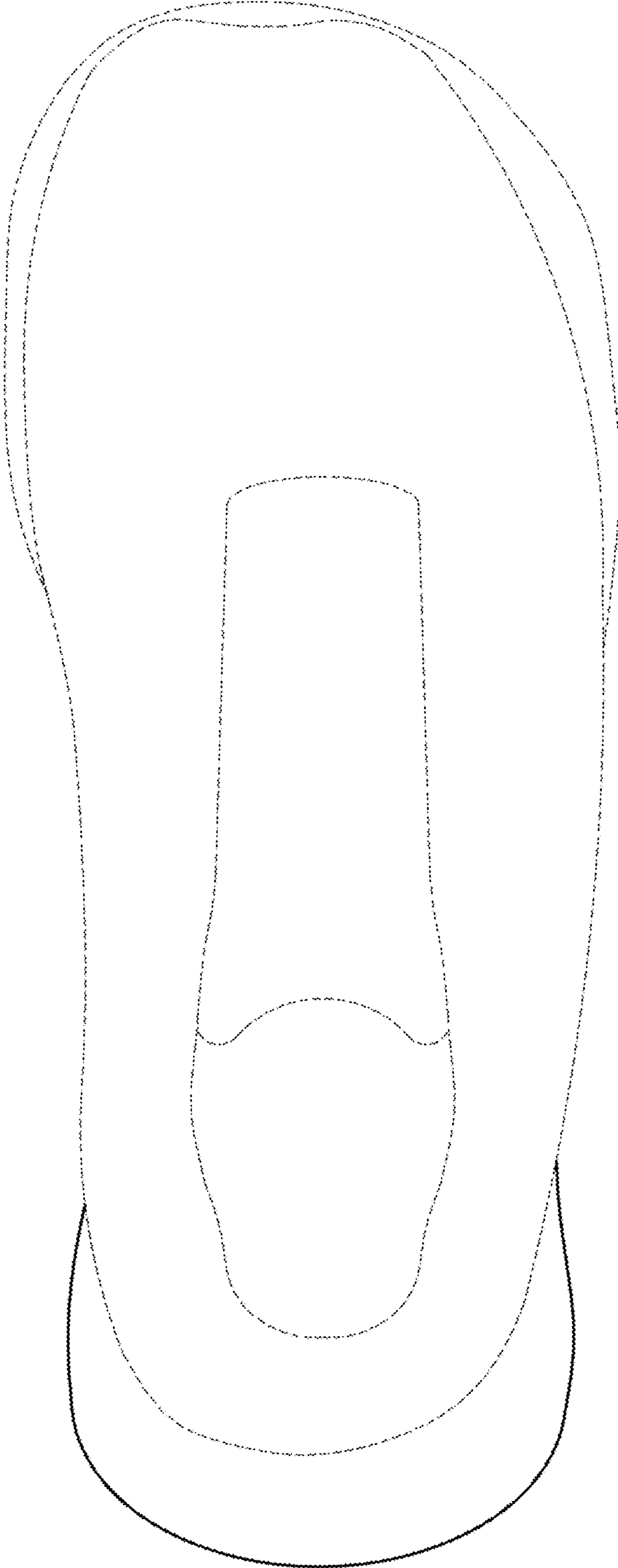


FIG. 4

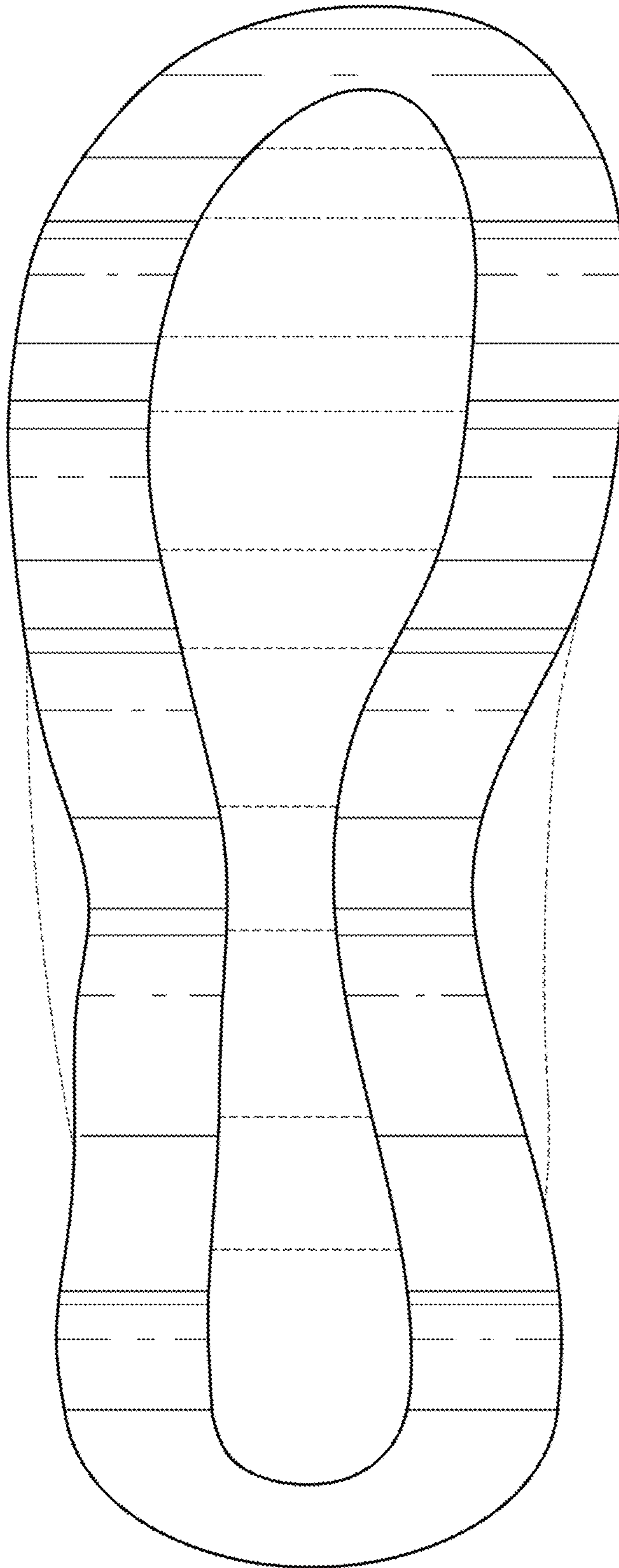


FIG. 5

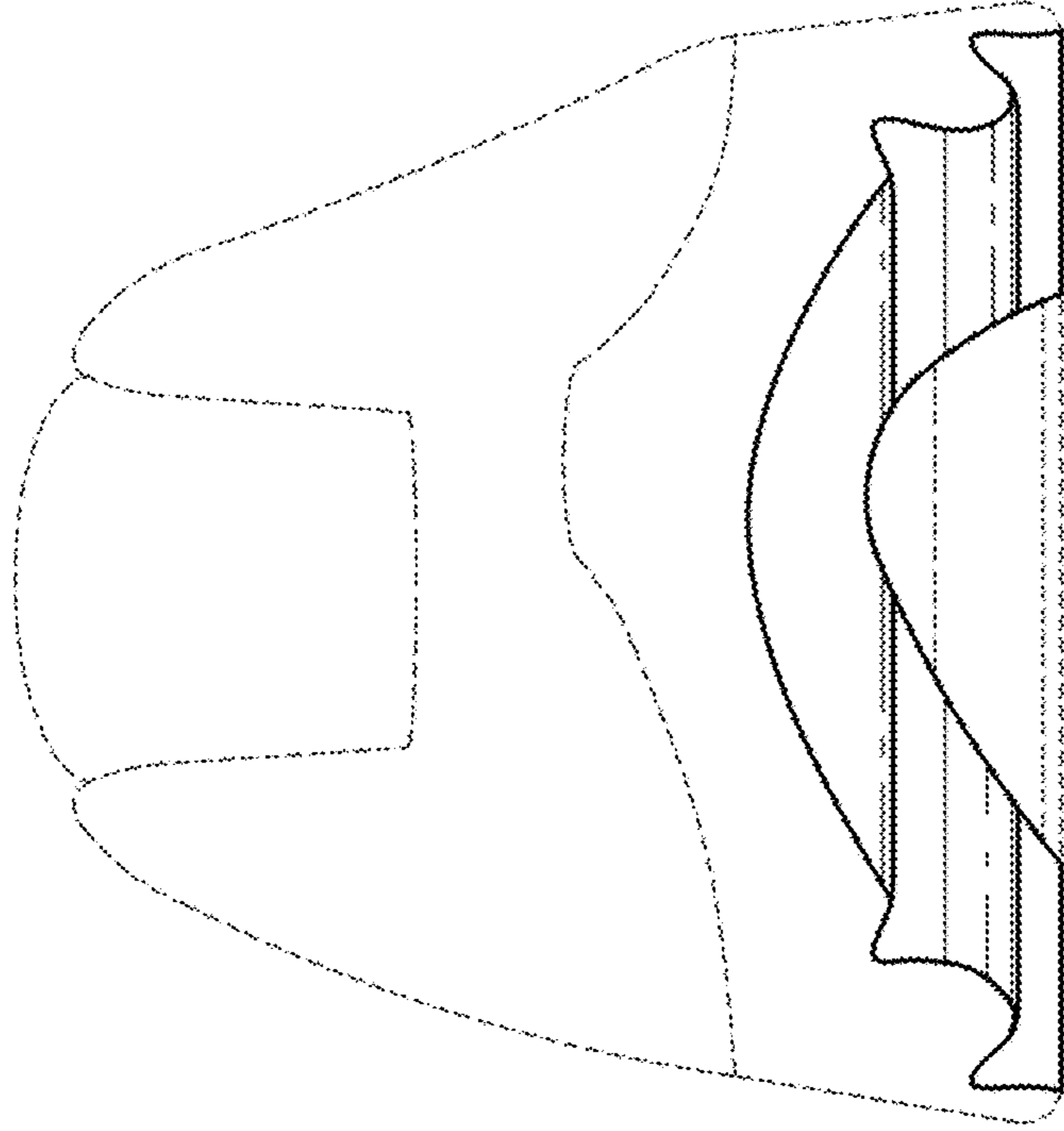


FIG. 7

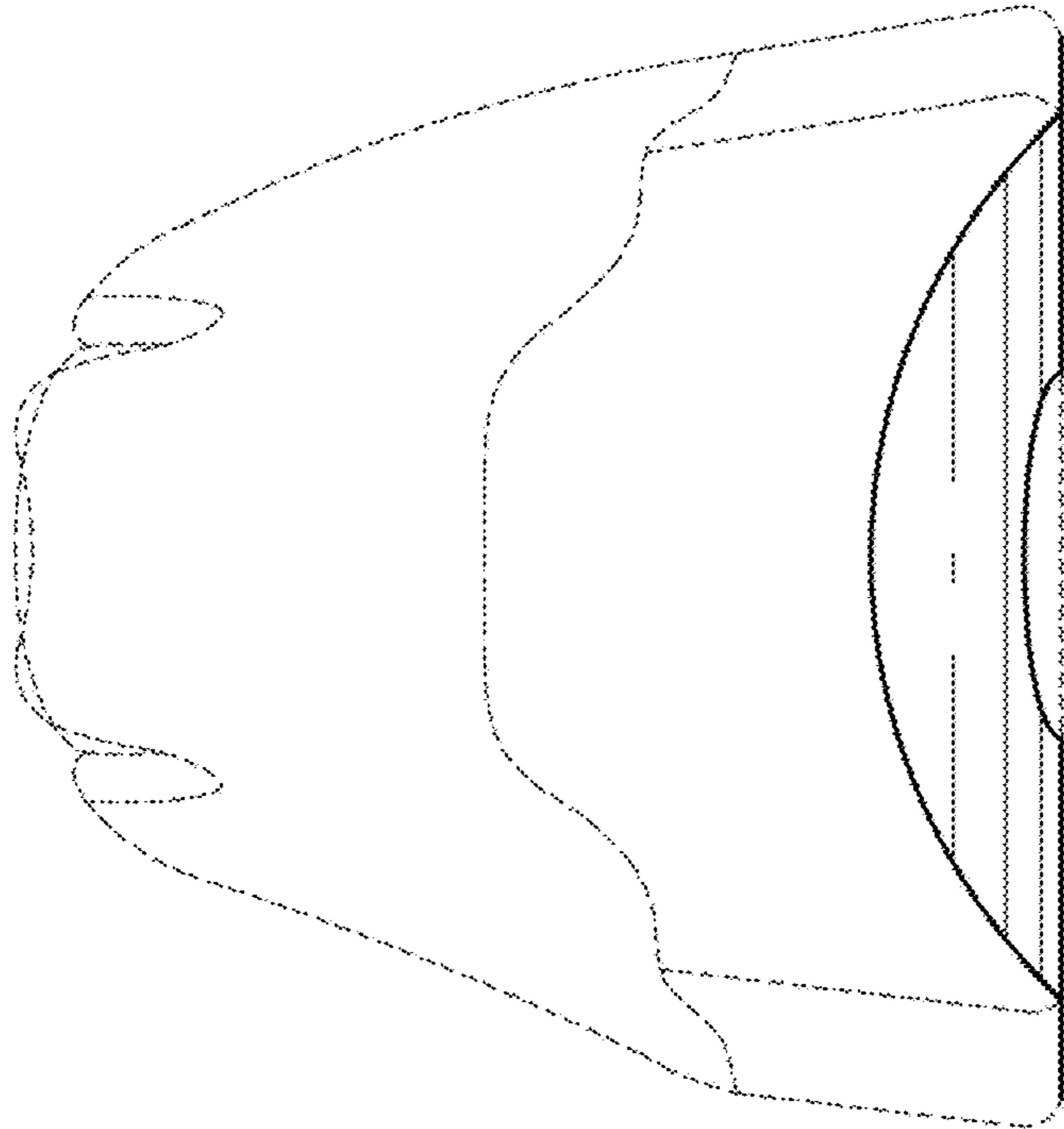


FIG. 6