



US00D959805S

(12) **United States Design Patent**
Dunham

(10) **Patent No.:** **US D959,805 S**

(45) **Date of Patent:** **** Aug. 9, 2022**

(54) **FOOTWEAR**

(71) Applicant: **Target Brands, Inc.**, Minneapolis, MN
(US)

(72) Inventor: **Austyn Dunham**, Minneapolis, MN
(US)

(73) Assignee: **Target Brands, Inc.**, Minneapolis, MN
(US)

(**) Term: **15 Years**

(21) Appl. No.: **29/754,869**

(22) Filed: **Oct. 15, 2020**

(51) **LOC (13) Cl.** **02-04**

(52) **U.S. Cl.**

USPC **D2/953**; D2/951; D2/957; D2/960

(58) **Field of Classification Search**

USPC D2/902, 906, 908, 916, 918, 925,
D2/946-962, 977, 901, 904, 909-912,
D2/919, 921, 970-974, 978, 969, 931,
D2/897; 36/3 B, 22 R, 24.5, 25 R, 28,
36/32 R, 59 C, 67 A, 103, 3 A, 83, 110,
36/117, 122, 1.7 R, 47.3, 77 M, 77 R,
36/113, 114, 50.1, 54, 126-131

CPC A43B 13/00; A43B 13/02; A43B 13/04;
A43B 13/12; A43B 13/14; A43B 13/16;
A43B 13/36; A43B 13/26; A43B 13/22;
A43B 13/122; A43B 13/125; A43B
13/127; A43B 23/00; A43B 23/02; A43B
23/021; A43B 23/022; A43B 23/025;
A43B 23/0245; A43B 23/0255; A43B
23/026; A43B 23/06; A43B 23/0215;
A43B 1/10; A43B 1/12; A43B 1/14;
A43B 5/00; A43B 5/002; A43B 5/006

See application file for complete search history.

(56) **References Cited**

U.S. PATENT DOCUMENTS

D107,977 S * 1/1938 Tousley D2/953
D126,598 S * 4/1941 Cox et al. D2/960

D266,287 S * 9/1982 Blissett D2/957
D321,275 S * 11/1991 Austin D2/957
D339,464 S * 9/1993 Teague D2/953

(Continued)

FOREIGN PATENT DOCUMENTS

CN 305455559 * 11/2019
CN 305769892 * 5/2020
CN 306573150 * 6/2021

OTHER PUBLICATIONS

Bodatu, Boys Snow Boots, (May 17, 2018), Amazon.com, [site visited Jan. 5, 2022], Available from URL: https://www.amazon.com/BODATU-Outdoor-Waterproof-Winter-Toddler/dp/B08CGJD5TY/ref=sr_1_4_sspa?crid=46NES38W5QV7&keywords=toddler%E2%80%A6 (Year: 2018).*

(Continued)

Primary Examiner — T Chase Nelson

Assistant Examiner — Jamillah Khalil Abdullah

(74) *Attorney, Agent, or Firm* — Merchant & Gould P.C.

(57)

CLAIM

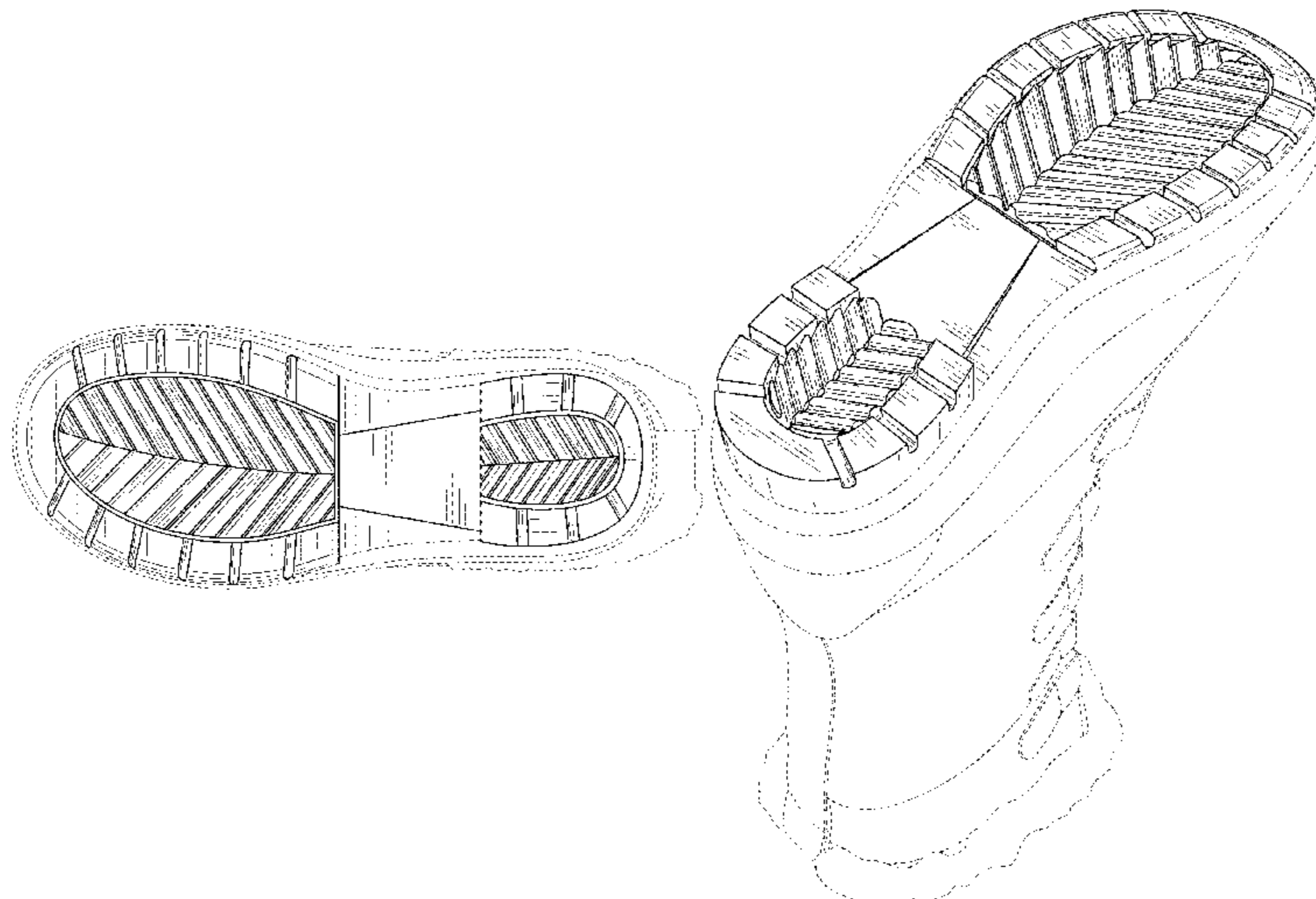
The ornamental design for a footwear, as shown and described.

DESCRIPTION

FIG. 1 is a front, top and right side perspective view of an embodiment of a footwear according to the new design; FIG. 2 is a front side elevation view thereof; FIG. 3 is a back side elevation view thereof; FIG. 4 is a left side elevation view thereof; FIG. 5 is a right side elevation view thereof; FIG. 6 is a top plan view thereof; FIG. 7 is a bottom plan view thereof; and, FIG. 8 is a back, bottom, and left side perspective view thereof.

The broken lines in the drawings show portions that form no part of the claimed design.

1 Claim, 8 Drawing Sheets



(56)

References Cited

U.S. PATENT DOCUMENTS

D368,796 S * 4/1996 Fabio D2/951
 5,775,005 A * 7/1998 McClelland A43B 1/0072
 36/134
 D398,144 S * 9/1998 Egelja D2/960
 D428,688 S * 8/2000 Egelja D2/951
 D478,412 S * 8/2003 Adams D2/956
 D487,840 S * 3/2004 Hillyer D2/957
 6,711,832 B2 * 3/2004 Chen A43B 1/0072
 36/3 A
 D496,776 S * 10/2004 Wu D2/953
 D499,233 S 12/2004 Sedlbauer
 D516,285 S 3/2006 Sedlbauer
 D517,791 S 3/2006 Sedlbauer
 D517,792 S 3/2006 Sedlbauer
 D524,018 S * 7/2006 Deas D2/947
 D524,019 S 7/2006 Matis et al.
 D539,024 S 3/2007 Belley et al.
 D547,540 S 7/2007 Maderspach
 D554,840 S * 11/2007 McClaskie D2/953
 D556,438 S 12/2007 Maderspach
 D575,951 S 9/2008 St-Louis
 D582,651 S 12/2008 Andersen et al.
 D599,539 S 9/2009 St-Louis
 D608,534 S * 1/2010 Bullard D2/947
 D632,882 S 2/2011 O'Rorke
 D648,929 S 11/2011 Van Zyll De Jong et al.
 D660,570 S 5/2012 Joseph
 D662,304 S 6/2012 Spring
 D664,345 S 7/2012 Joseph
 8,322,049 B2 * 12/2012 Dojan A43B 13/26
 36/59 C
 D677,871 S 3/2013 Portzline
 D677,873 S 3/2013 Portzline
 D678,666 S 3/2013 Portzline
 D699,932 S 2/2014 Lubart
 D701,024 S 3/2014 Youngs et al.

D701,372 S 3/2014 Portzline
 D701,377 S 3/2014 Spring
 D701,683 S 4/2014 Neely
 D714,534 S * 10/2014 Spring D2/960
 D740,534 S 10/2015 Spring
 D754,425 S 4/2016 Deas
 D795,541 S 8/2017 Henrichot et al.
 9,833,037 B2 * 12/2017 Wilson, III C08K 3/36
 D843,098 S * 3/2019 Natowich Mcphee D2/960
 D849,382 S * 5/2019 Jenkins D2/959
 D850,083 S * 6/2019 Jenkins D2/959
 D855,959 S * 8/2019 Jenkins D2/959
 D866,934 S 11/2019 Zeng
 D868,434 S * 12/2019 Wu D2/910
 D868,435 S * 12/2019 Wu D2/910
 D873,541 S * 1/2020 Wu D2/910
 D874,808 S 2/2020 Prochmann
 D880,128 S * 4/2020 Devito D2/957
 D912,383 S * 3/2021 Jenkins D2/959
 D934,547 S * 11/2021 Dunham D2/960
 D935,750 S * 11/2021 Guidetti D2/944
 D946,247 S * 3/2022 Li D2/912
 D948,177 S * 4/2022 Mazza D2/908
 D948,850 S * 4/2022 Small D2/951
 D948,852 S * 4/2022 Shahid A D2/951
 D950,218 S * 5/2022 Mayhew D2/947
 D950,920 S * 5/2022 Dunham D2/912
 D950,925 S * 5/2022 Dunham D2/896

OTHER PUBLICATIONS

Aleader, Kids Snow Boots, (Nov. 26, 2021), Amazon.com, [site visited: Jan. 5, 2022], Available from URL: https://www.amazon.com/ALEADER-Girls-Waterproof-Winter-Little/dp/B07TJN688N/ref=pd_di_sccai_7/138-0153397-8653534?pd_rd_w=WATGU&pf_%E2%80%A6 (Year: 2021).*

* cited by examiner



FIG. 1

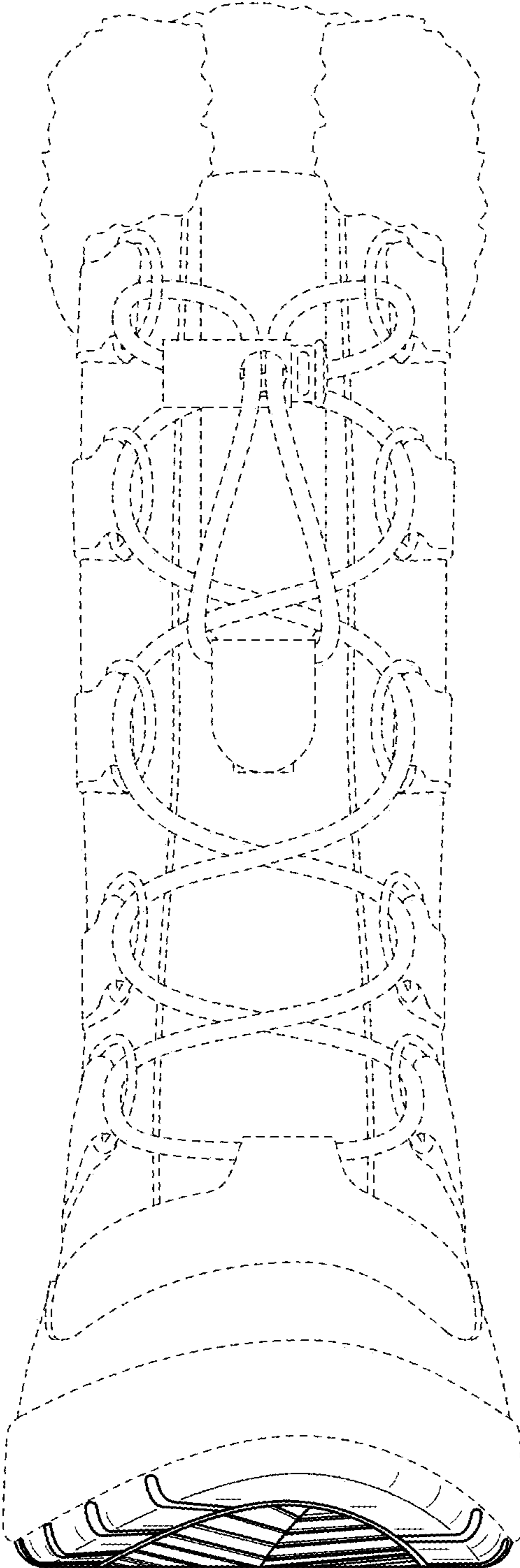


FIG. 2

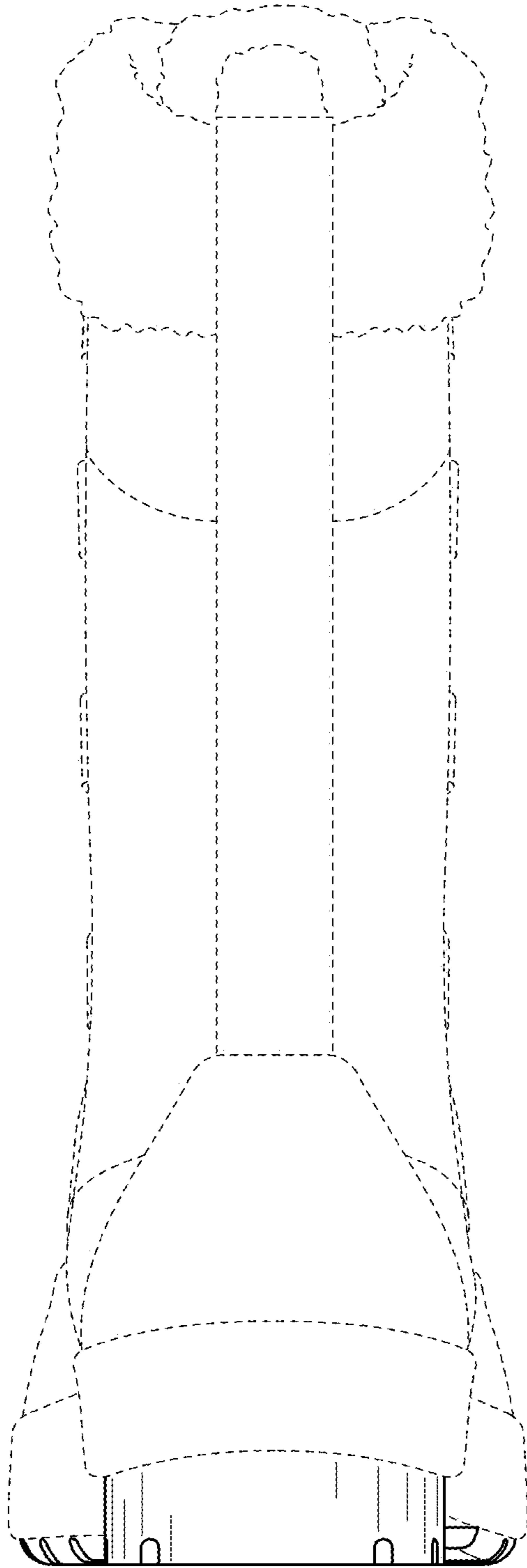


FIG. 3



FIG. 4



FIG. 5

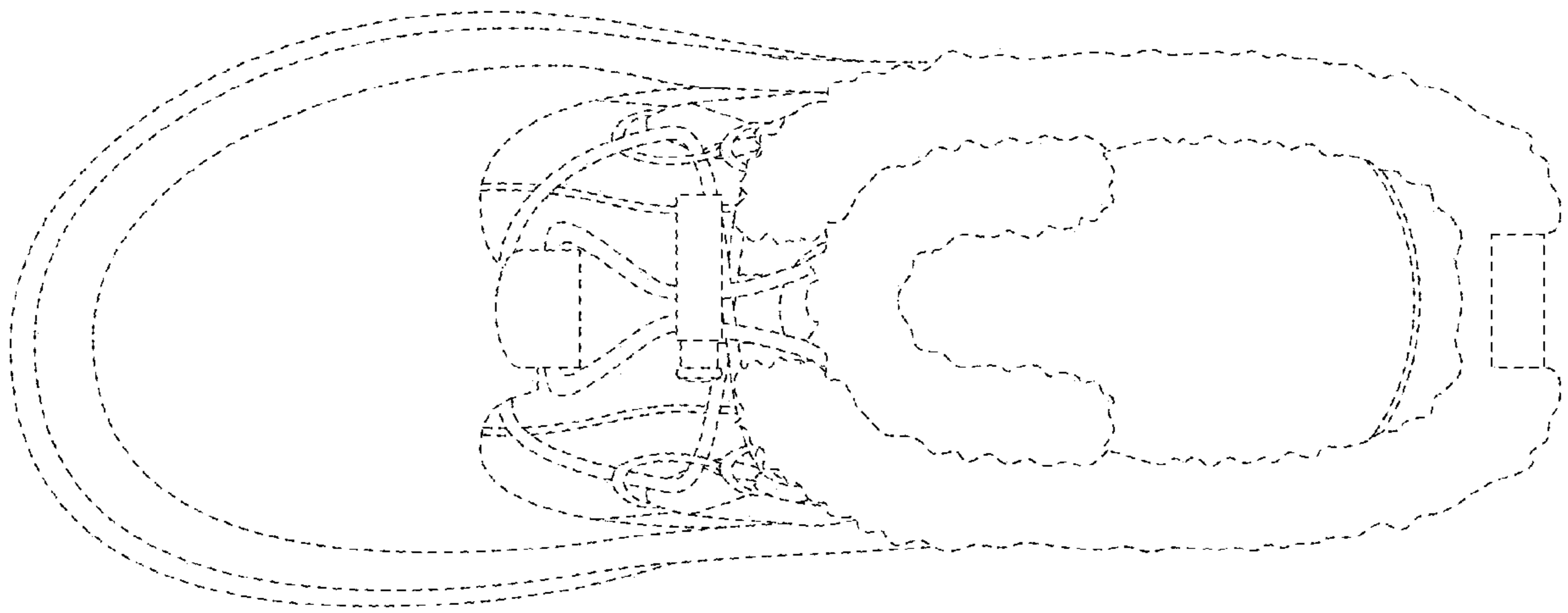


FIG. 6

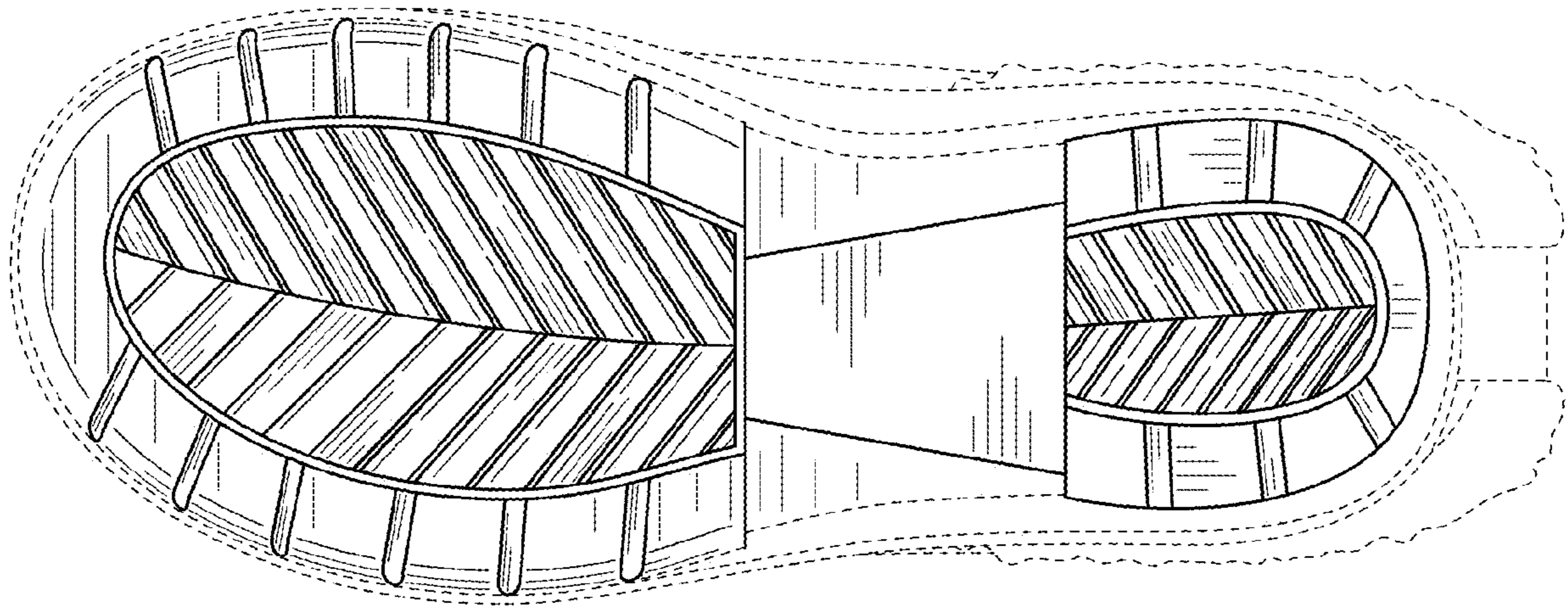


FIG. 7

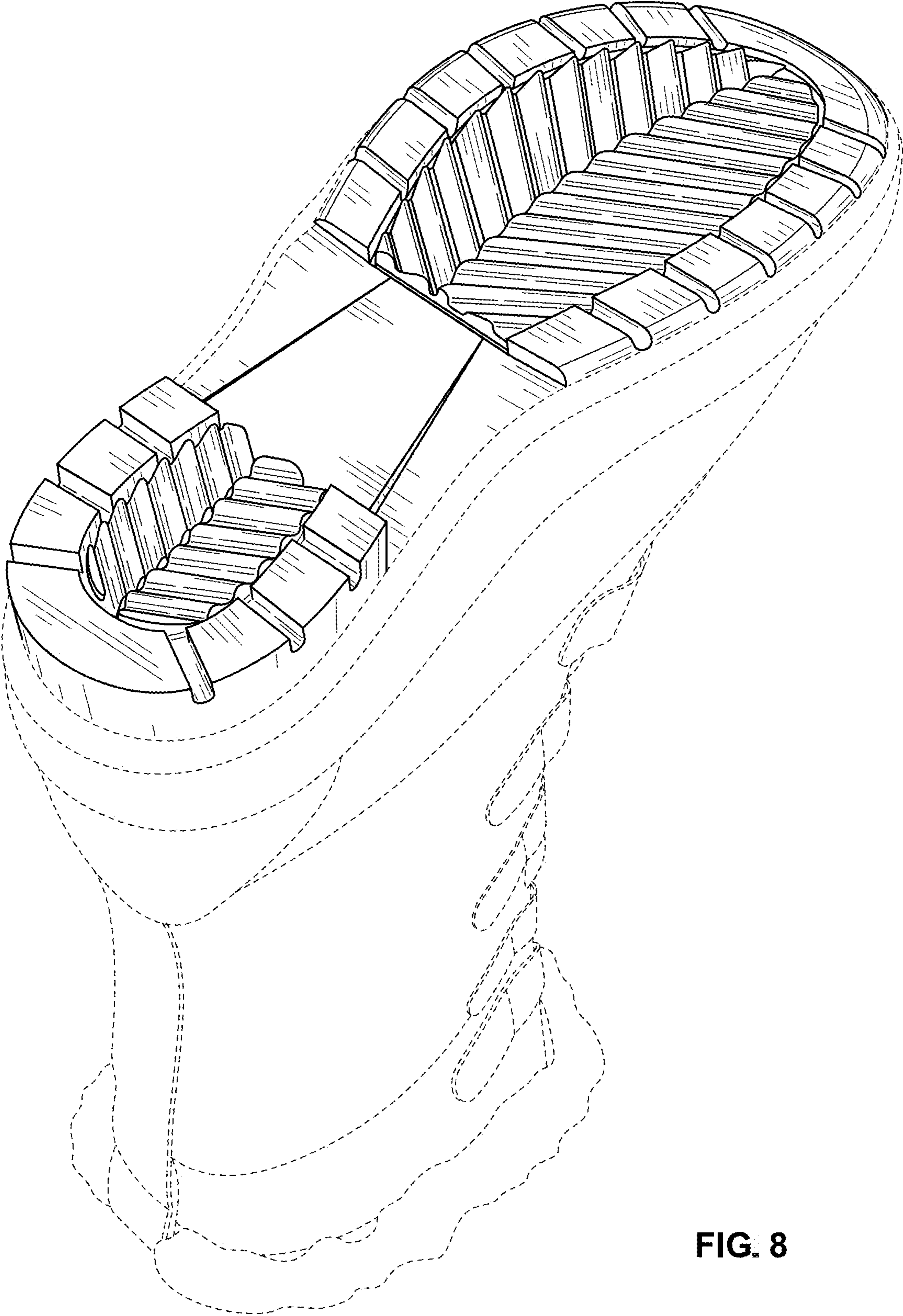


FIG. 8