



US00D959802S

(12) **United States Design Patent** (10) **Patent No.:** **US D959,802 S**
Sukkar (45) **Date of Patent:** **** Aug. 9, 2022**

(54) **FOOTWEAR**

(71) Applicant: **Airwair International Limited**,
Wellingborough (GB)

(72) Inventor: **Rosy Sukkar**, Wellingborough (GB)

(73) Assignee: **AIRWAIR INTERNATIONAL LTD.**

(**) Term: **15 Years**

(21) Appl. No.: **29/716,272**

(22) Filed: **Dec. 9, 2019**

(51) **LOC (13) Cl.** **02-04**

(52) **U.S. Cl.**

USPC **D2/916**; D2/947

(58) **Field of Classification Search**

USPC D2/902, 906, 908, 916, 918, 925,
D2/946-962, 977, 896-900, 917, 969,
D2/971; 36/3 B, 22 R, 24.5, 25 R, 28,
36/32 R, 34 R, 59 C, 67 A, 103
CPC A43B 13/00; A43B 13/02; A43B 13/023;
A43B 13/026; A43B 13/04; A43B 13/08;
A43B 13/10; A43B 13/12; A43B 13/14;
A43B 13/141; A43B 13/143; A43B
13/16; A43B 13/18; A43B 13/181; A43B
13/187; A43B 13/189; A43B 13/20; A43B
13/22; A43B 13/223; A43B 13/24; A43B
13/28; A43B 13/30; A43B 13/32; A43B
13/34; A43B 13/36; A43B 3/10; A43B
3/12

See application file for complete search history.

(56) **References Cited**

U.S. PATENT DOCUMENTS

2,198,338 A 4/1940 Greider
2,563,751 A 8/1951 Rossi
2,590,648 A * 3/1952 Pitzcarla A43B 13/141
36/11.5
D258,546 S 3/1981 Famolare, Jr.
D263,643 S 4/1982 Vermonet

D265,144 S 6/1982 Vermonet
D265,435 S 7/1982 Vermonet
4,538,366 A 9/1985 Norton
D298,483 S * 11/1988 Liggett A43B 5/00
D2/954
D321,975 S 12/1991 Arnulf et al.
D325,805 S 5/1992 Herber
D331,313 S * 12/1992 Lesbirel D2/954

(Continued)

OTHER PUBLICATIONS

Airwair International Limited, "AW14 Catalogue Global Range",
United Kingdom (2013), 147 pages.

(Continued)

Primary Examiner — T Chase Nelson

(74) *Attorney, Agent, or Firm* — Bryan Cave Leighton
Paisner LLP

(57) **CLAIM**

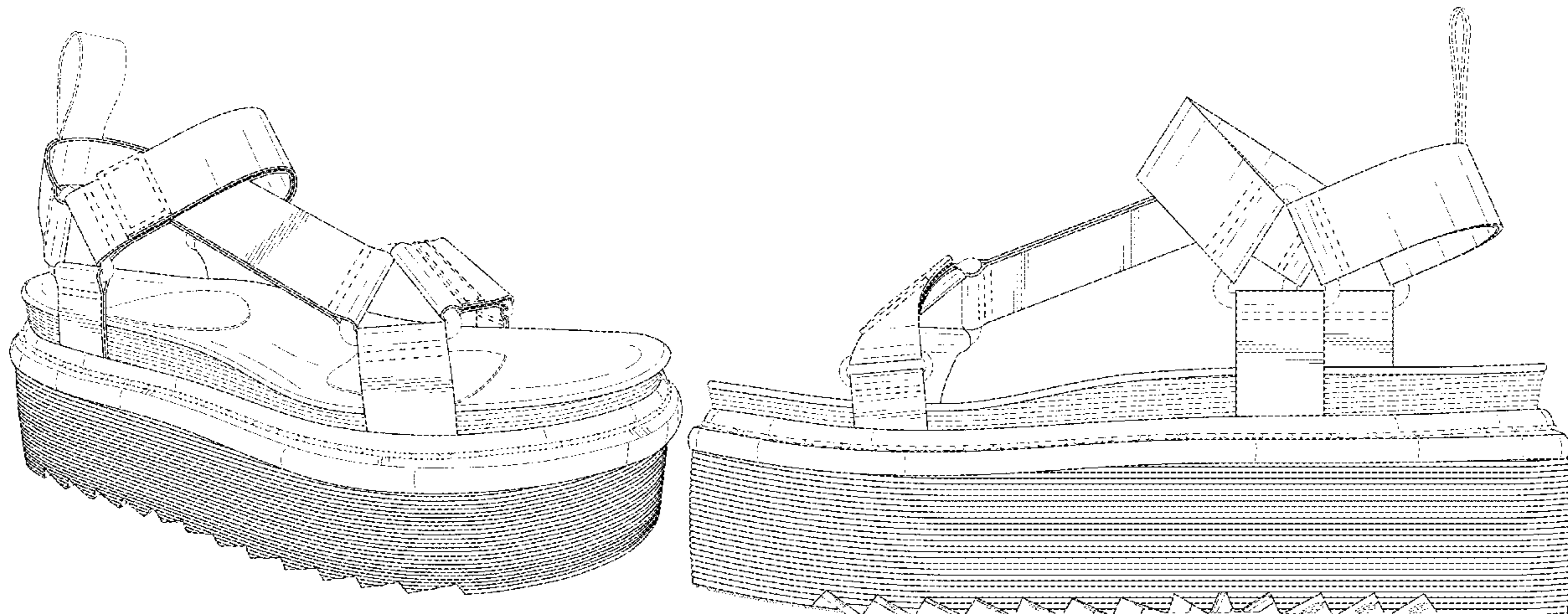
The ornamental design for footwear, as shown and
described.

DESCRIPTION

FIG. 1 is a top perspective view of the footwear taken from
a side;
FIG. 2 is a top perspective view taken from an opposite side
thereof;
FIG. 3 is a bottom perspective view thereof;
FIG. 4 is a top view thereof;
FIG. 5 is a bottom view thereof;
FIG. 6 is a side view thereof;
FIG. 7 is an opposite side view thereof;
FIG. 8 is a front view thereof; and,
FIG. 9 is a rear view thereof.

The paired broken lines found on the straps are stitching,
which forms no part of the claimed design. The other broken
line showings in the figures are for the purpose of illustrating
portions of the footwear that also form no part of the claimed
design.

1 Claim, 8 Drawing Sheets



(56)

References Cited

U.S. PATENT DOCUMENTS

D335,762 S * 5/1993 Peterson D2/956
 D353,483 S * 12/1994 Bailey A43B 3/12
 D2/916
 D358,929 S 6/1995 Peterson
 D360,064 S 7/1995 Verin
 D360,973 S * 8/1995 Bailey D2/916
 5,561,919 A * 10/1996 Gill A43B 3/12
 36/11.5
 D379,866 S * 6/1997 Jenkins A43B 11/00
 D2/916
 D385,103 S 10/1997 Teague
 D397,236 S * 8/1998 Wilmot D2/954
 D398,743 S 9/1998 Rask
 D401,741 S 12/1998 Clarke
 D401,743 S * 12/1998 Wunsch D2/954
 5,867,923 A 2/1999 Lehneis
 D407,891 S 4/1999 Edwards
 D415,610 S 10/1999 Cahill
 D416,126 S * 11/1999 Jimenez A43B 13/148
 D2/947
 D416,128 S * 11/1999 Kelchak D2/916
 D416,667 S * 11/1999 Lamstein D2/916
 D437,675 S 2/2001 Dahlsten
 D442,769 S * 5/2001 Matis A43B 11/00
 D2/916
 D449,426 S 10/2001 Pollastrelli
 D461,042 S * 8/2002 Urie D2/916
 D461,294 S 8/2002 Cook
 D469,598 S 2/2003 Wilson
 D475,843 S 6/2003 Miller
 6,578,290 B1 6/2003 Meynard
 D483,554 S 12/2003 Burg et al.
 D485,422 S 1/2004 Levine
 D492,095 S 6/2004 Sanchez et al.
 D498,901 S 11/2004 Hawker et al.
 D508,307 S 8/2005 Burg et al.
 D513,836 S * 1/2006 Magro D2/896
 D514,283 S * 2/2006 O'Connor D2/896
 D523,614 S 6/2006 Mitchell
 D540,517 S * 4/2007 McClaskie D2/953
 D549,935 S * 9/2007 Schoenborn D2/953
 D550,439 S * 9/2007 Belley D2/953
 D554,335 S * 11/2007 Belley D2/953
 D562,542 S * 2/2008 Kristensen D2/980
 D563,091 S * 3/2008 St-Louis A43B 11/00
 D2/916
 D564,199 S * 3/2008 Belley D2/917
 D565,287 S * 4/2008 Belley D2/917
 D569,085 S * 5/2008 Belley A43B 13/181
 D2/952
 D586,995 S * 2/2009 Chen A43B 23/042
 D2/951
 D590,139 S 4/2009 Carlucci
 D592,837 S 5/2009 Vico et al.
 D599,088 S * 9/2009 Kay D2/909
 D611,232 S 3/2010 Della Valle et al.
 D612,136 S 3/2010 Hubner
 D613,480 S 4/2010 Lamont
 D634,108 S * 3/2011 Tzenos D2/954
 D636,155 S 4/2011 Della Valle et al.
 D636,156 S 4/2011 Della Valle et al.
 D639,535 S * 6/2011 Eggert A43B 11/00
 D2/898
 D643,197 S 8/2011 Teteriatnikov
 D665,981 S * 8/2012 Hill D2/972
 D680,309 S 4/2013 Raysse
 D683,937 S 6/2013 Raysse
 D710,579 S 8/2014 Williams, Jr.
 D711,079 S * 8/2014 Issler A43B 3/126
 D2/917

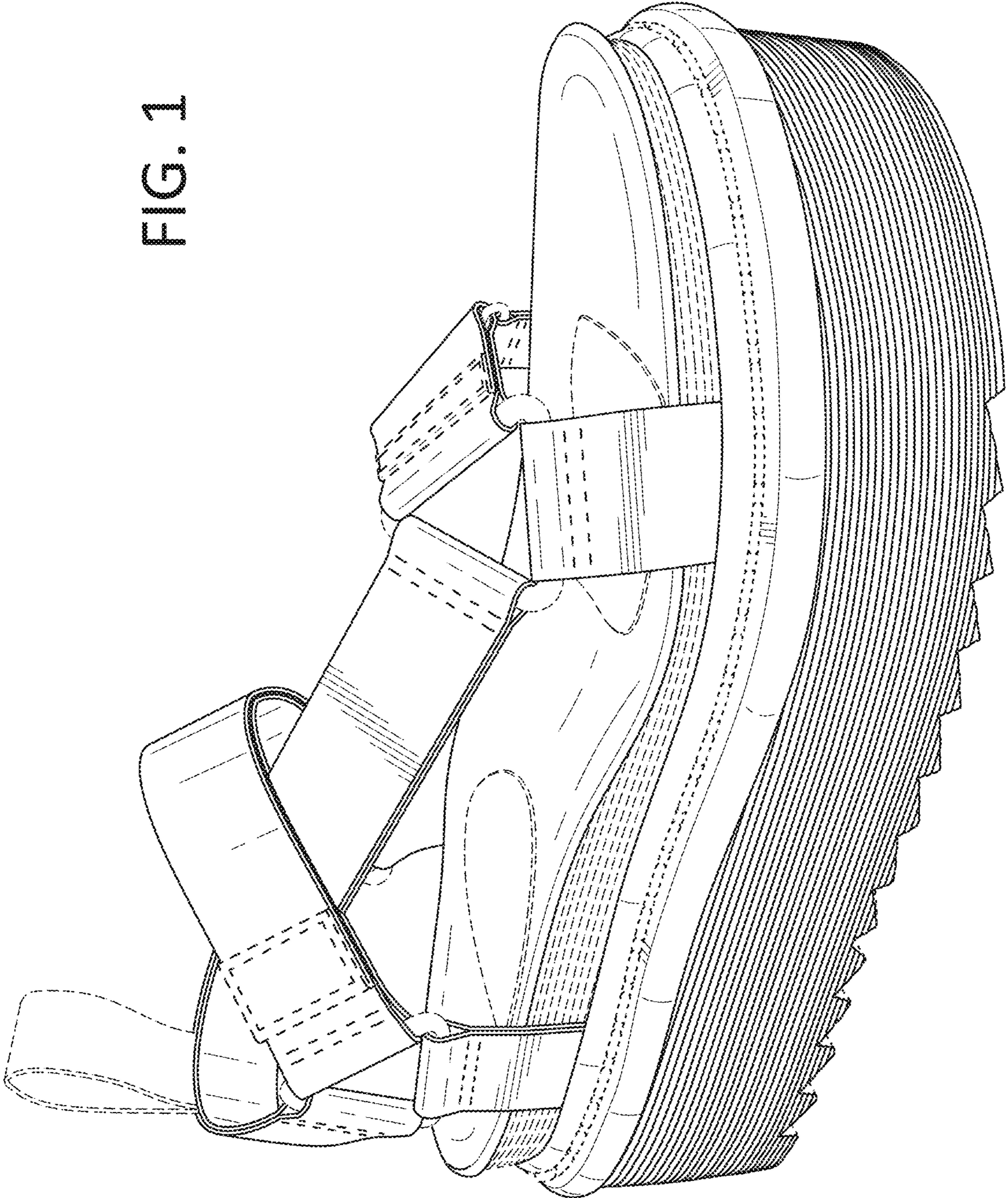
D713,625 S 9/2014 Raasch
 D713,626 S 9/2014 Raasch
 D714,035 S 9/2014 O'Connor
 D728,912 S * 5/2015 Taestensen A43B 23/042
 D2/954
 D730,029 S * 5/2015 Issler A43B 3/10
 D2/933
 D736,502 S * 8/2015 Helwig D2/916
 D756,620 S * 5/2016 Boys D2/960
 D771,916 S * 11/2016 Helwig A43B 5/00
 D2/916
 D774,288 S * 12/2016 Pina D2/908
 D781,541 S * 3/2017 McGhee D2/947
 D781,542 S * 3/2017 McGhee D2/947
 D796,165 S * 9/2017 Helwig D2/916
 D801,011 S * 10/2017 Del Biondi D2/923
 D811,059 S * 2/2018 Matsuo D2/923
 D814,764 S * 4/2018 Issler A43B 3/126
 D2/971
 D818,674 S * 5/2018 Celin D2/916
 D838,089 S * 1/2019 Celin A43B 23/0265
 D2/916
 D844,959 S * 4/2019 Evans D2/957
 D845,600 S * 4/2019 Evans A43B 13/188
 D2/959
 D846,842 S * 4/2019 Brinkhof A43B 23/0265
 D2/916
 D853,096 S * 7/2019 James D2/954
 D854,288 S * 7/2019 Raasch D2/947
 D854,796 S * 7/2019 Celin D2/950
 D862,056 S * 10/2019 Wang D2/947
 D873,547 S * 1/2020 Rauner D2/947
 D886,419 S * 6/2020 McGhee D2/912
 D887,682 S * 6/2020 Sogorb D2/902
 D891,058 S * 7/2020 Evans A43B 5/00
 D2/951
 D897,652 S * 10/2020 Wilkinson A43B 5/00
 D2/960
 D905,412 S * 12/2020 Fogg A43B 3/12
 D2/969
 D913,660 S * 3/2021 Rist D2/947
 D913,668 S * 3/2021 Boys D2/957
 D933,340 S * 10/2021 Celin A43B 23/0265
 D2/916
 11,185,124 B2 * 11/2021 Lemons A43B 23/0265
 2003/0000107 A1 * 1/2003 Blackburn A43B 5/18
 36/7.5
 2008/0250671 A1 10/2008 Walsh
 2013/0167406 A1 7/2013 Wu
 2013/0318828 A1 * 12/2013 Sink A43B 13/181
 36/103
 2014/0245633 A1 * 9/2014 Podhajny A43B 23/042
 36/45
 2016/0007673 A1 * 1/2016 McDonald A43B 3/126
 36/11.5
 2017/0360141 A1 * 12/2017 Azoulay A43B 3/10
 2018/0303197 A1 * 10/2018 Chen A43B 13/188
 2019/0350304 A1 * 11/2019 Velazquez A43B 5/00
 2021/0145113 A1 * 5/2021 Zuborev A43B 13/148

OTHER PUBLICATIONS

Airwair International Limited, "AW15 Catalogue Global Range", United Kingdom (2015), 151 pages.
 Airwair International Limited, "AW16 Global Catalogue Footwear and Shoecare", United Kingdom, 155 pages.
 Airwair International Limited, "SS15 Catalogue Global Range", United Kingdom (2013), 145 pages.
 Airwair International Limited, "SS18 Catalogue Global Footwear and Shoecare", United Kingdom (2016), 230 pages.

* cited by examiner

FIG. 1



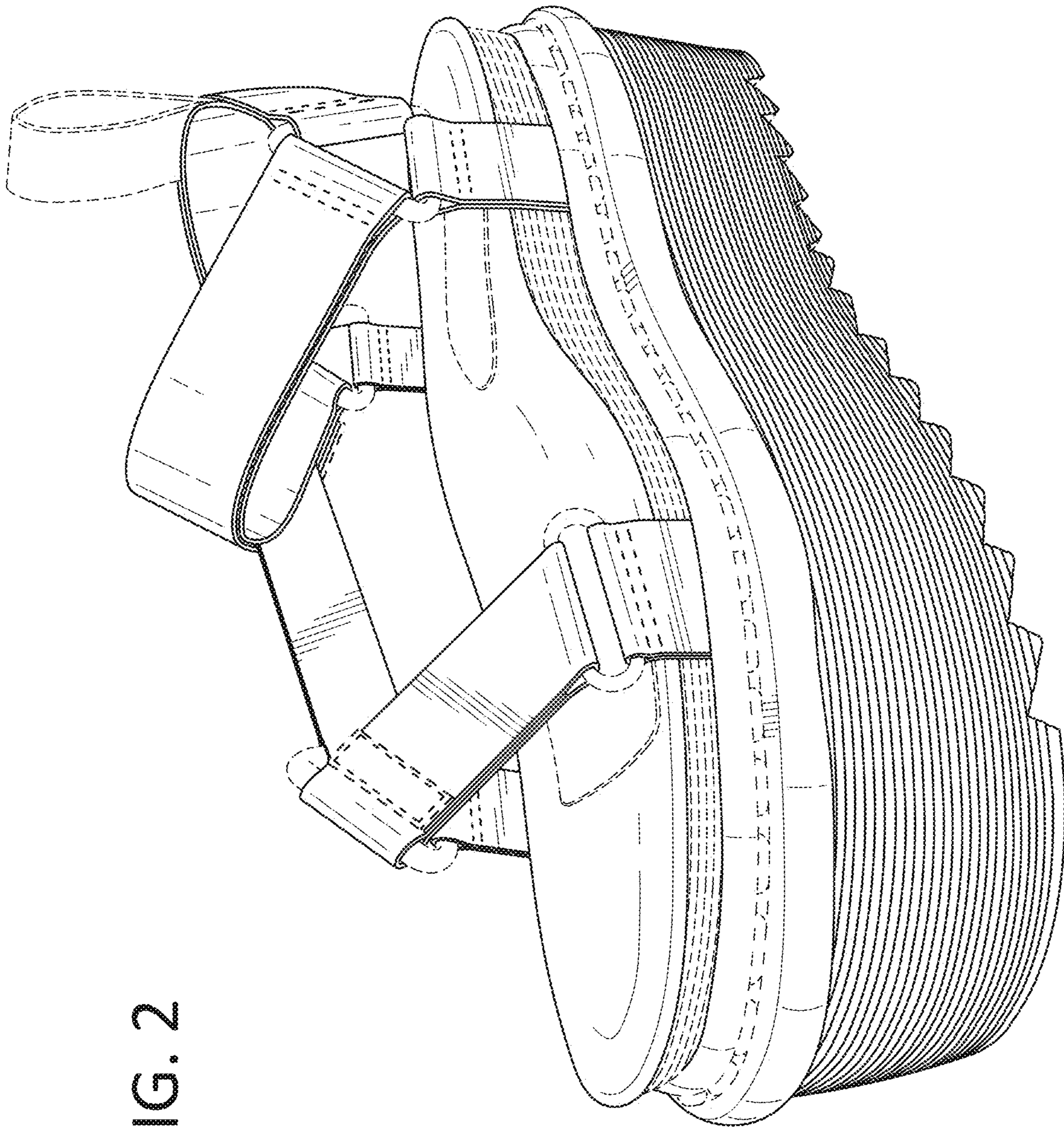


FIG. 2

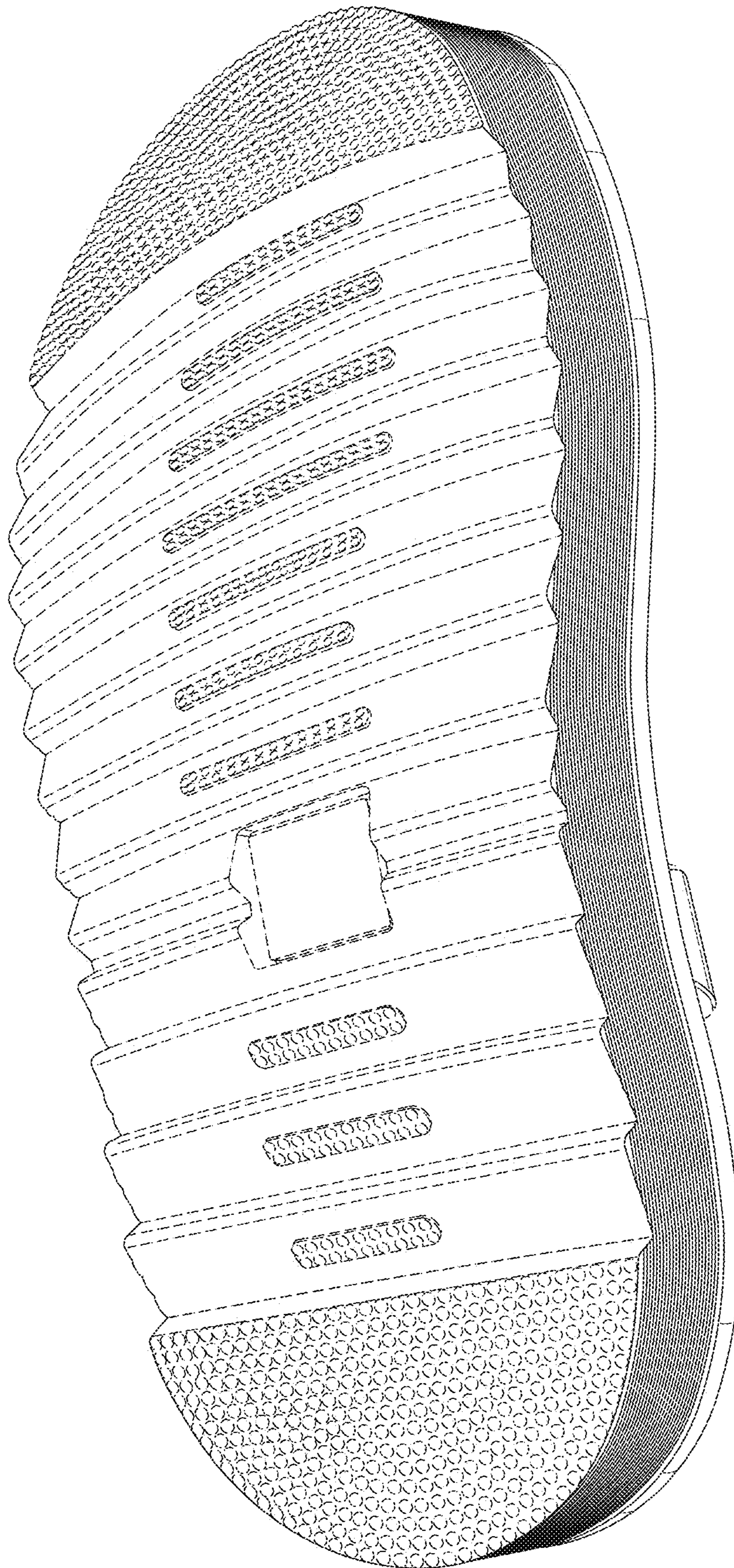


FIG. 3

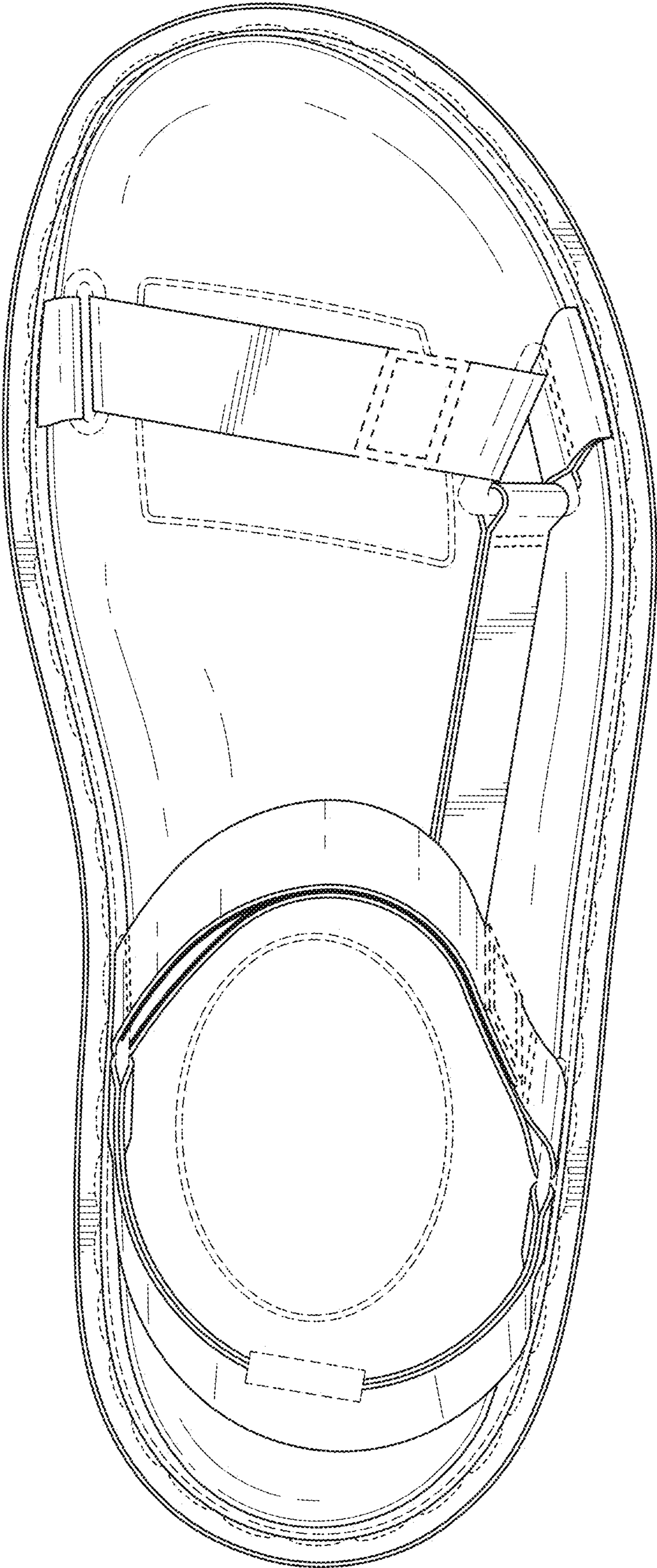


FIG. 4

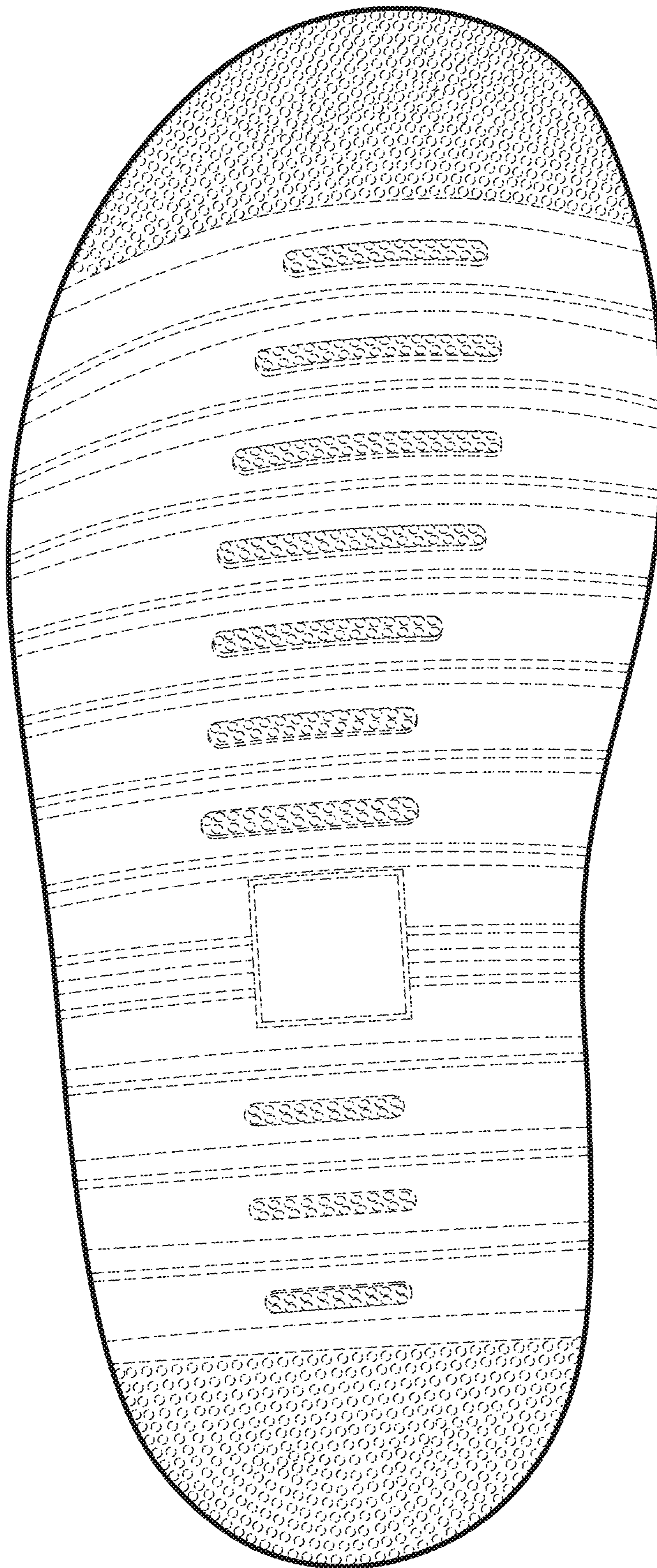
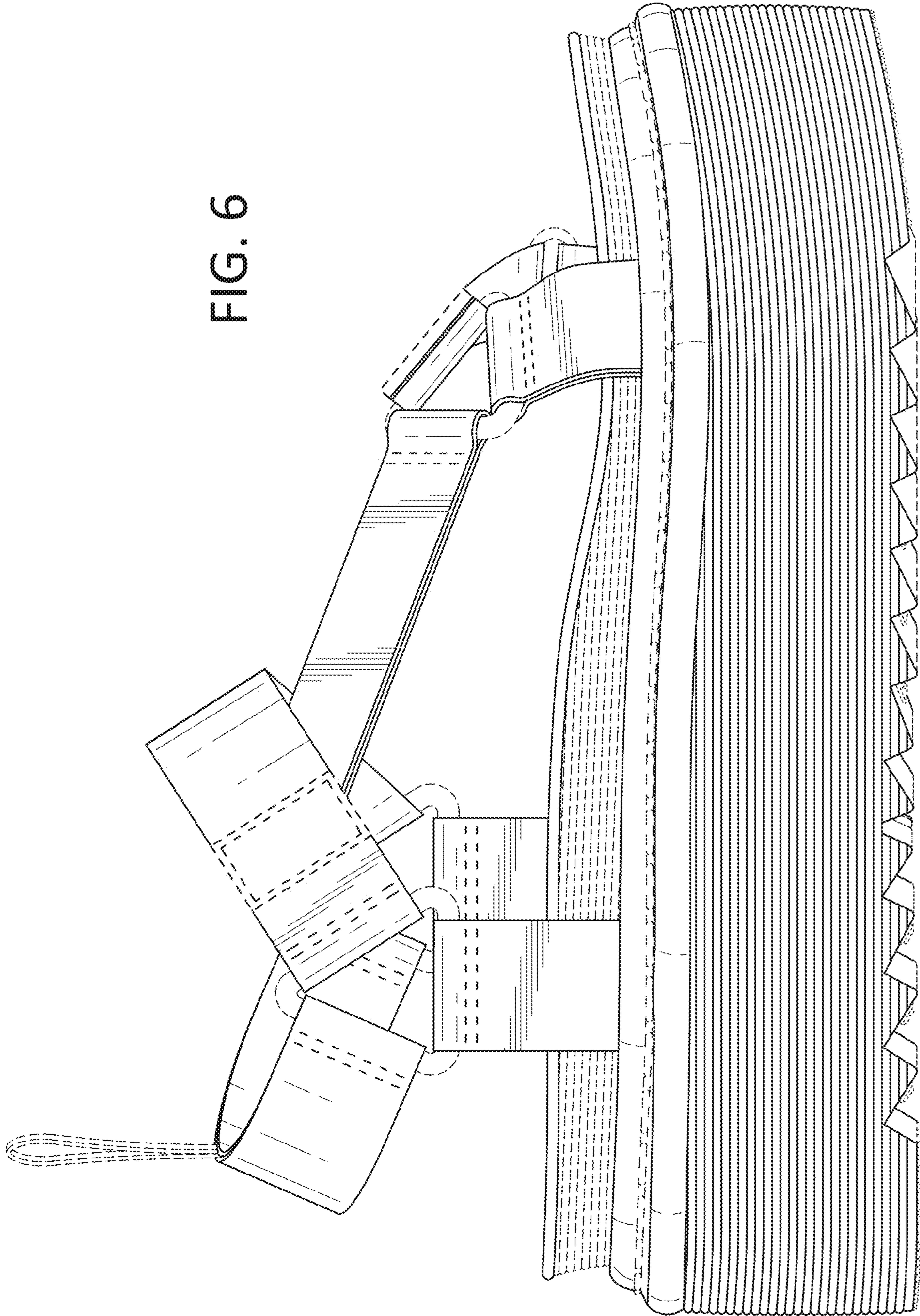


FIG. 5

FIG. 6



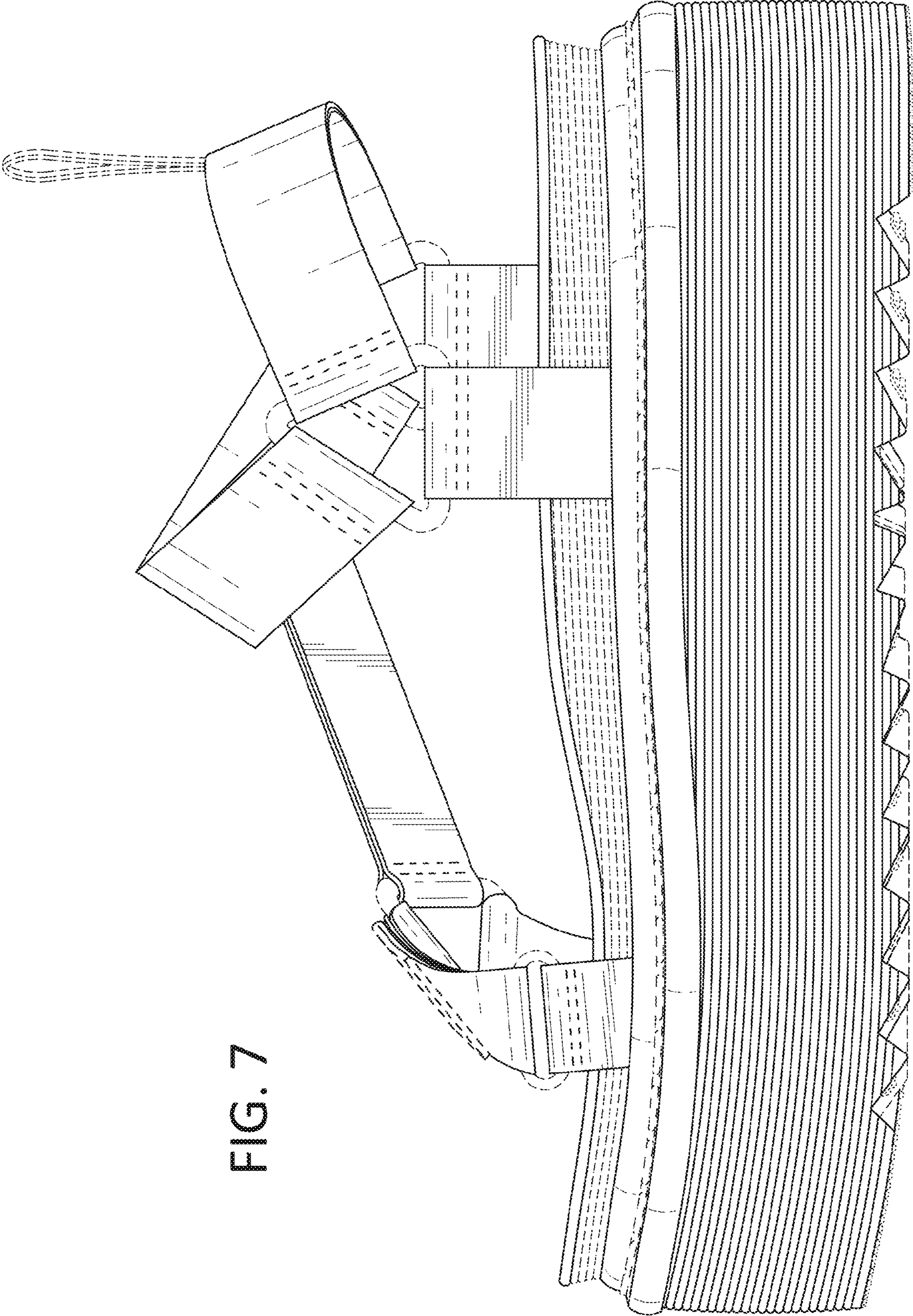


FIG. 7

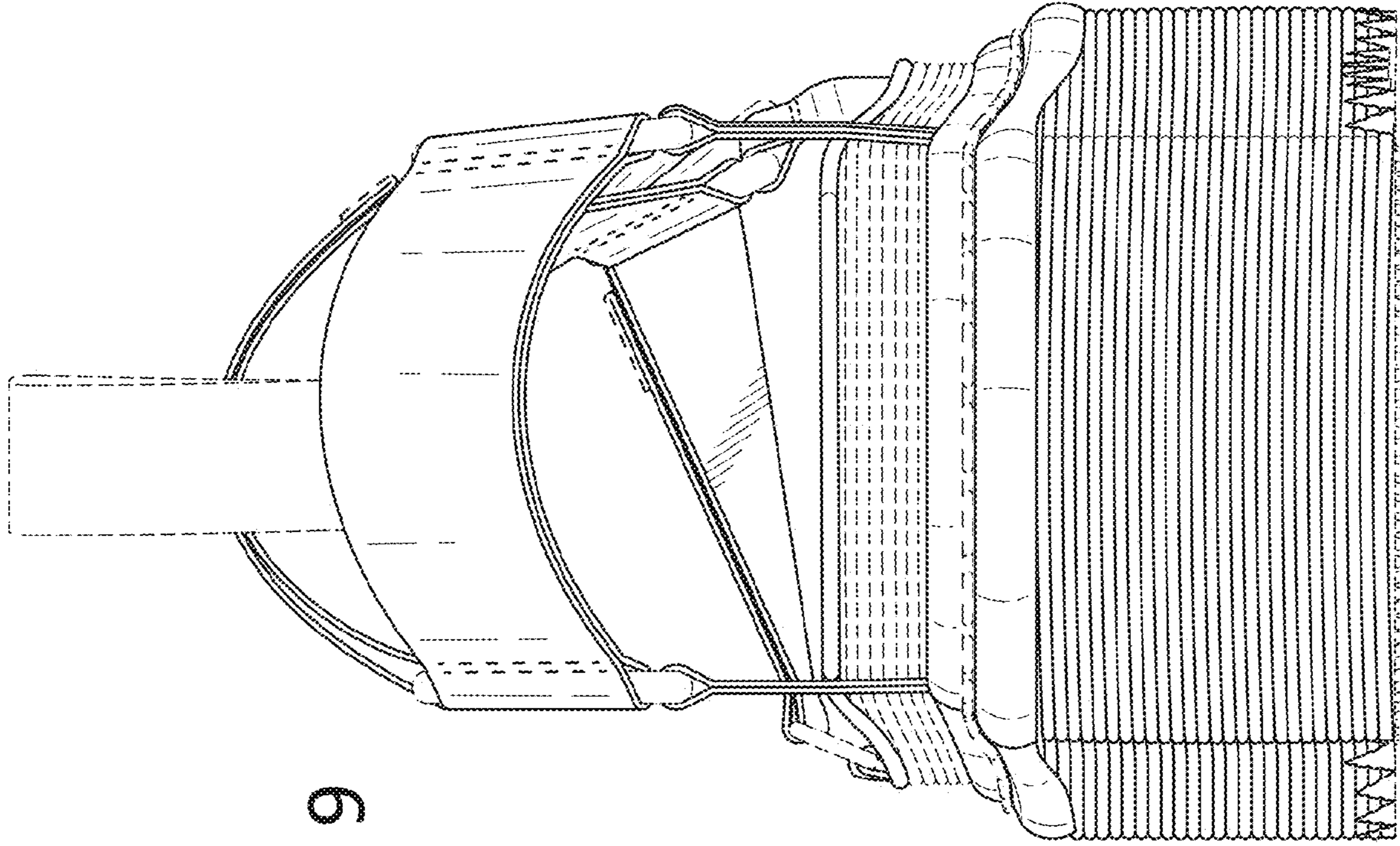


FIG. 9

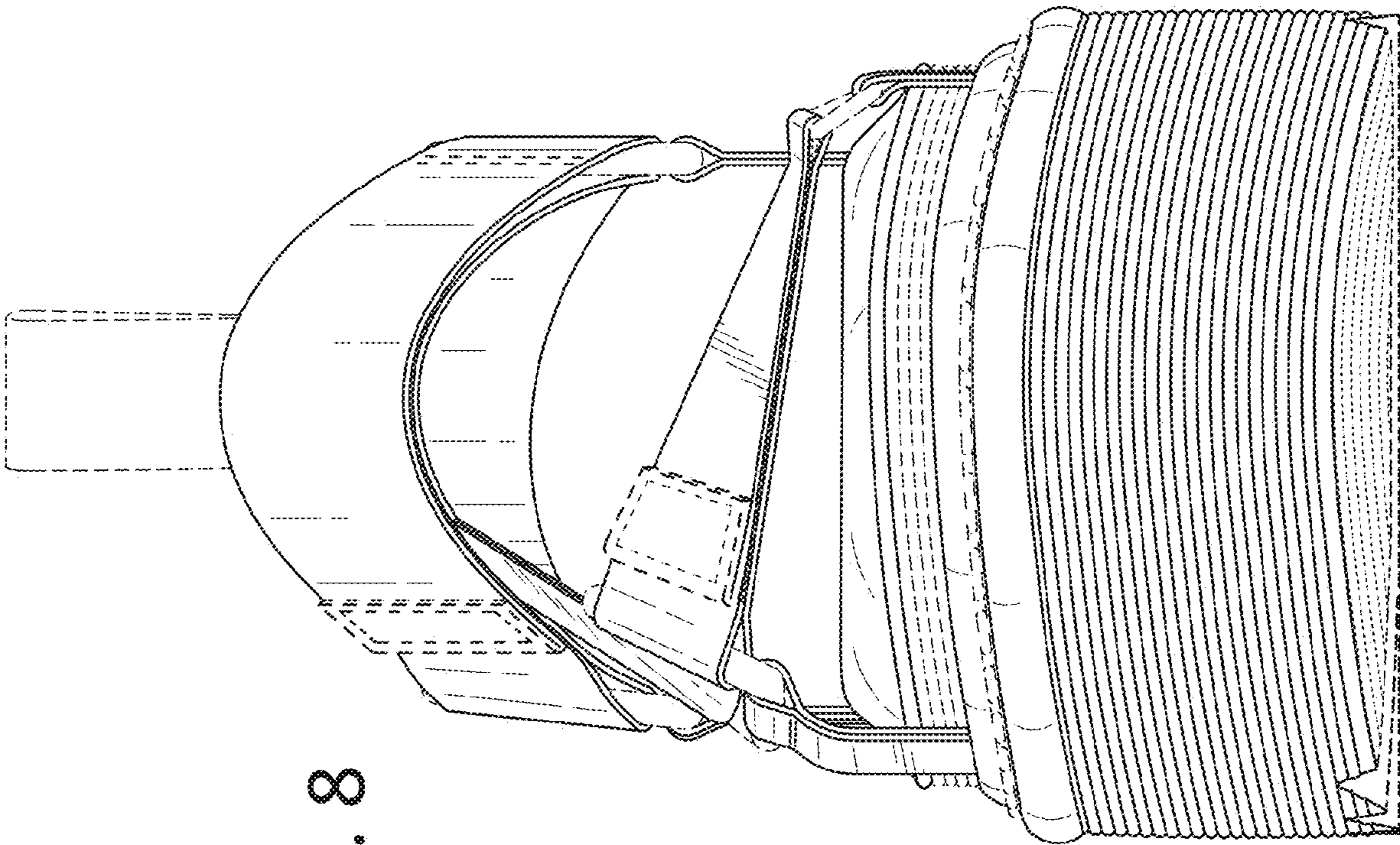


FIG. 8