



US00D959797S

(12) **United States Design Patent**
Minogue

(10) **Patent No.:** **US D959,797 S**

(45) **Date of Patent:** **** Aug. 9, 2022**

(54) **GARMENT**

(71) Applicant: **Bio-Medical Research Limited,**
Galway (IE)

(72) Inventor: **Conor Minogue,** Galway (IE)

(73) Assignee: **Bio-Medical Research Limited,**
Galway (IE)

(**) Term: **15 Years**

(21) Appl. No.: **29/752,843**

(22) Filed: **Sep. 29, 2020**

(51) **LOC (13) Cl.** **02-02**

(52) **U.S. Cl.**
USPC **D2/728; D2/840**

(58) **Field of Classification Search**
USPC D2/700, 701, 702, 703, 705, 717, 718,
D2/721, 723, 728, 731, 828, 829, 830,
D2/840, 841, 845, 846, 847, 850
(Continued)

(56) **References Cited**

U.S. PATENT DOCUMENTS

7,278,758 B2 * 10/2007 Esses A41D 1/04
362/411
D625,078 S * 10/2010 Scott-Curran D2/717
(Continued)

OTHER PUBLICATIONS

Why smart clothes, not watches, are the future of wearables,
[online]; [article published to the internet on Jan. 13, 2016];
[retrieved from the internet on Mar. 24, 2022]; URL: <https://www.digitaltrends.com/wearables/smart-clothing-is-the-future-of-wearables/>. (3 pages). (Year: 2016).*

Primary Examiner — Jasmine Mlinarcik

(74) *Attorney, Agent, or Firm* — Banner & Witcoff, Ltd.

(57) **CLAIM**

The ornamental design for a garment, as shown and described.

DESCRIPTION

FIG. 1 is a front perspective view of a garment showing my new design;
FIG. 2 is a front view thereof;
FIG. 3 is a rear view thereof;
FIG. 4 is a left side view thereof;
FIG. 5 is a right side view thereof;
FIG. 6 is an enlarged view of the encircled portion A indicated in FIG. 1;
FIG. 7 is an enlarged view of the encircled portion B indicated in FIG. 2;
FIG. 8 is a front perspective view of a garment showing my new design in an alternative embodiment;
FIG. 9 is a front view thereof;
FIG. 10 is a rear view thereof;
FIG. 11 is a left side view thereof;
FIG. 12 is a right side view thereof;
FIG. 13 is a front perspective view of a garment showing my new design in an alternative embodiment;
FIG. 14 is a front view thereof;
FIG. 15 is a rear view thereof;
FIG. 16 is a left side view thereof;
FIG. 17 is a right side view thereof;
FIG. 18 is a front perspective view of a garment showing my new design in an alternative embodiment;
FIG. 19 is a front view thereof;
FIG. 20 is a rear view thereof;
FIG. 21 is a left side view thereof;
FIG. 22 is a right side view thereof;
FIG. 23 is a front perspective view of a garment showing my new design in an alternative embodiment;
FIG. 24 is a front view thereof;
FIG. 25 is a rear view thereof;
FIG. 26 is a left side view thereof;
FIG. 27 is a right side view thereof;
FIG. 28 is a front perspective view of a garment showing my new design in an alternative embodiment;
FIG. 29 is a front view thereof;
FIG. 30 is a rear view thereof;

(Continued)

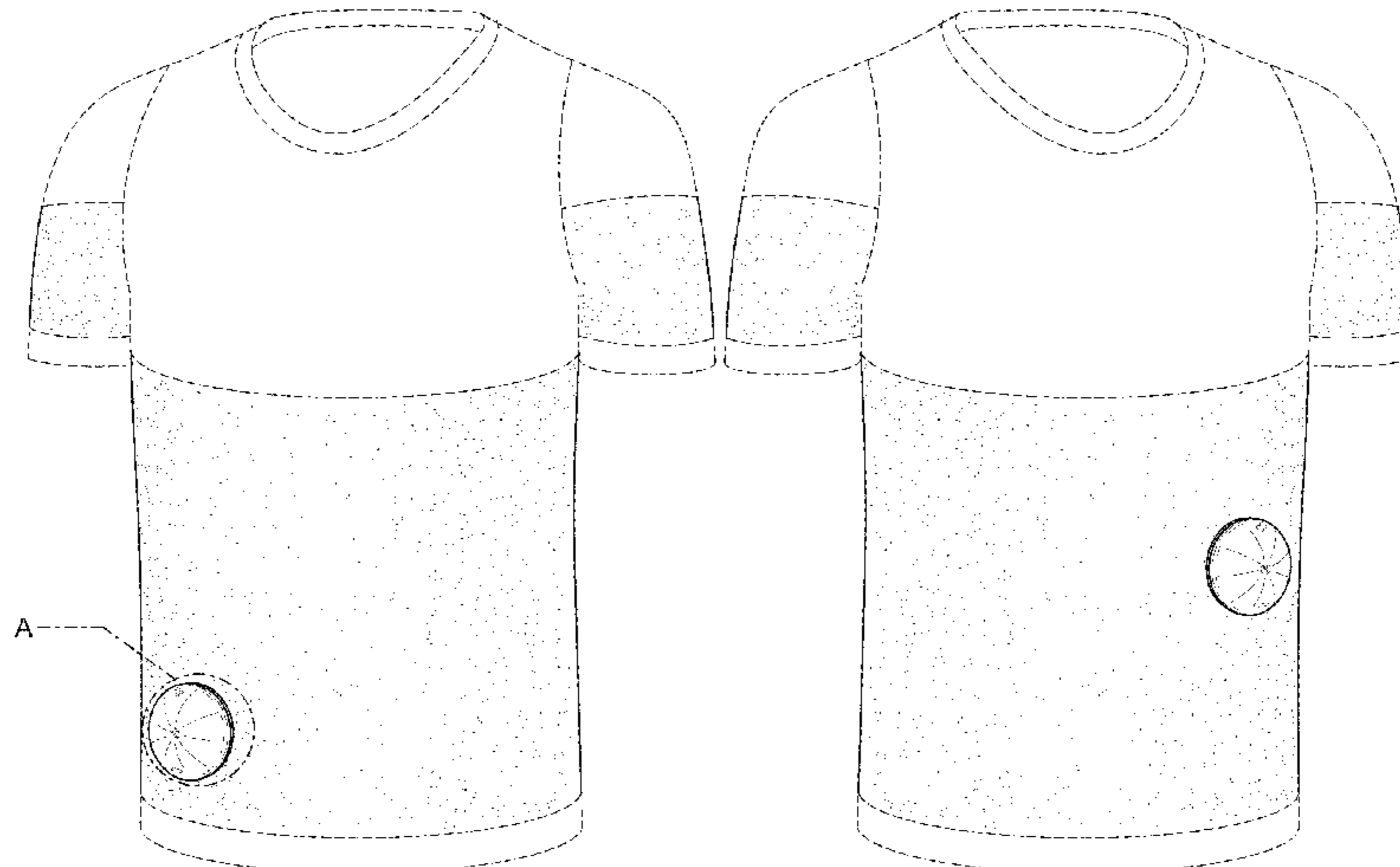


FIG. 31 is a left side view thereof; and, FIG. 32 is a right side view thereof. The broken lines depicting the icons on the controller form no part of the claimed design. The broken lines immediately adjacent to the shaded areas represent the bounds of the claimed design and form no part thereof. The broken lines depicting the remainder of the garment form no part of the claimed design.

1 Claim, 32 Drawing Sheets

(58) **Field of Classification Search**

CPC A41B 1/00; A41B 1/02; A41B 1/04; A41B 9/00; A41D 1/04; A41D 1/22; A41D 7/00; A41D 13/0015; A41D 13/0017; A41D 15/00; A41D 15/005; A41D 2400/38

See application file for complete search history.

(56)

References Cited

U.S. PATENT DOCUMENTS

D632,056	S *	2/2011	Pijut	D2/717
8,476,519	B2 *	7/2013	Liotta	H04R 1/1033
				84/615
9,247,907	B2 *	2/2016	Oleson	A61B 5/6823
D775,786	S *	1/2017	Trabert	D2/739
D797,408	S *	9/2017	Martz	D2/749
2009/0158489	A1 *	6/2009	White	G09F 21/02
				2/244
2009/0260123	A1 *	10/2009	Swift	A41D 11/00
				2/244
2012/0078147	A1 *	3/2012	Ogulnick	A61F 13/143
				602/2
2013/0318677	A1 *	12/2013	Liu	A41D 1/04
				2/69
2019/0110748	A1 *	4/2019	Cho	A41D 1/005
2021/0120890	A1 *	4/2021	Tokunaga	A41D 27/28

* cited by examiner

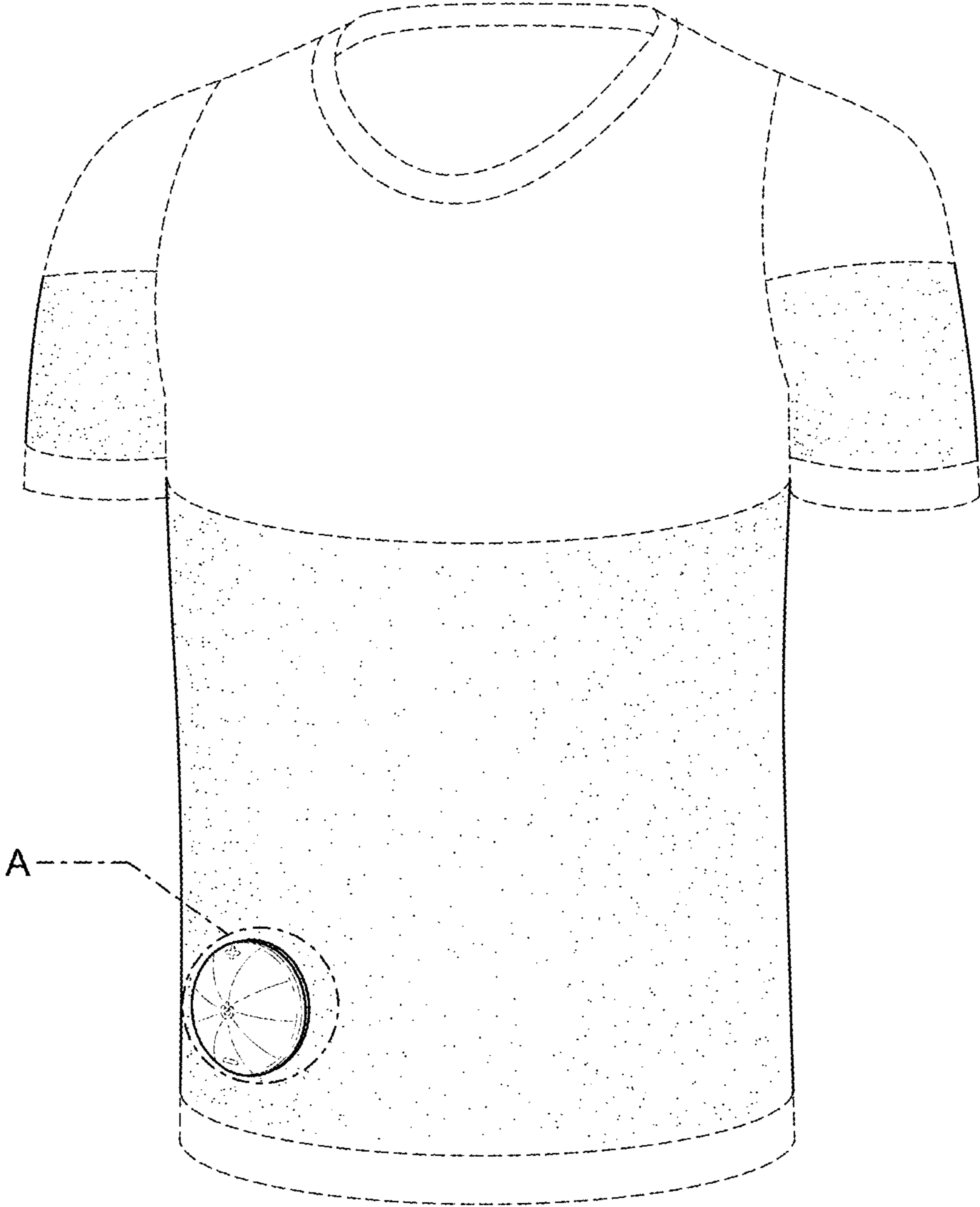


FIG. 1

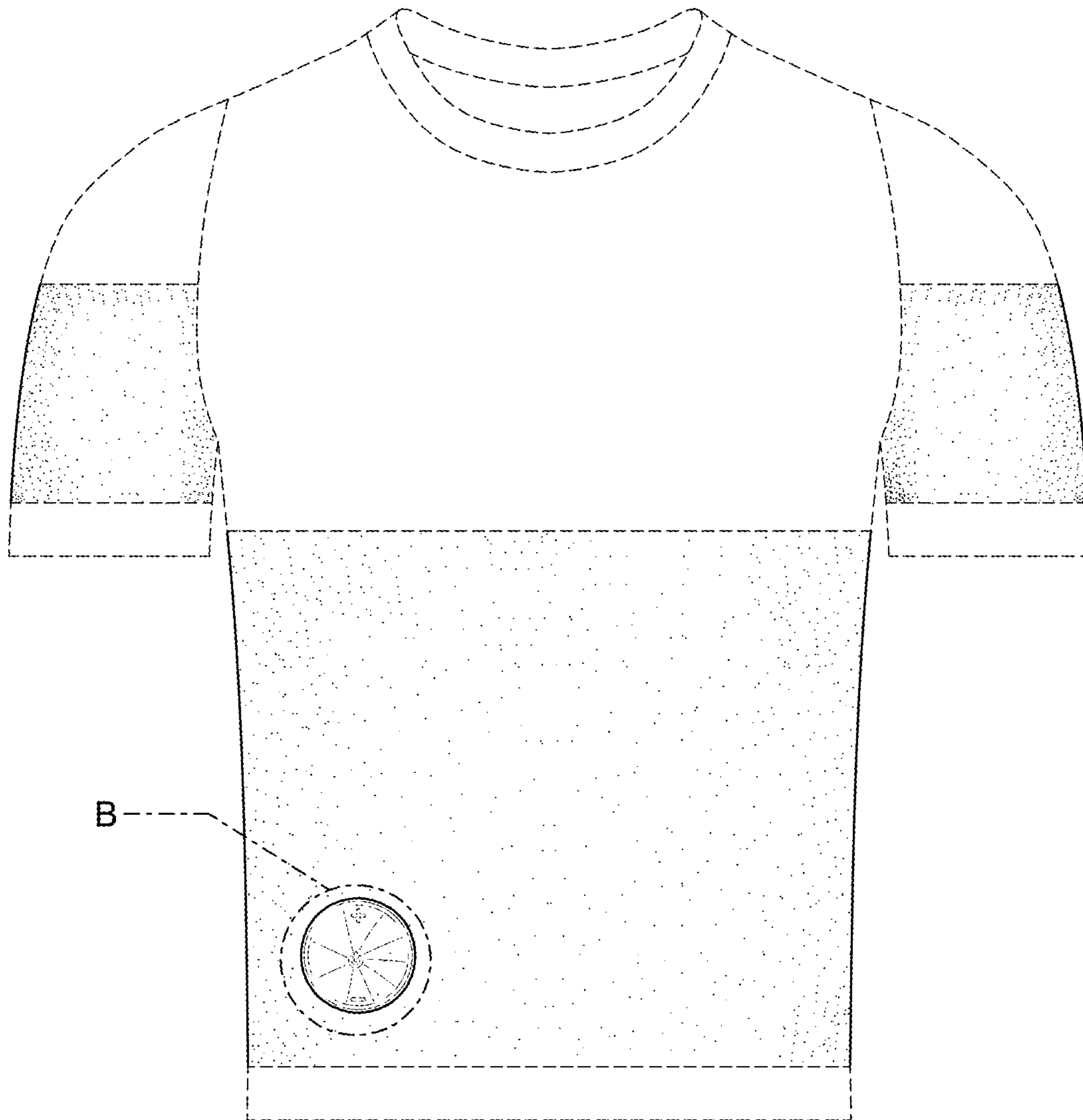


FIG. 2

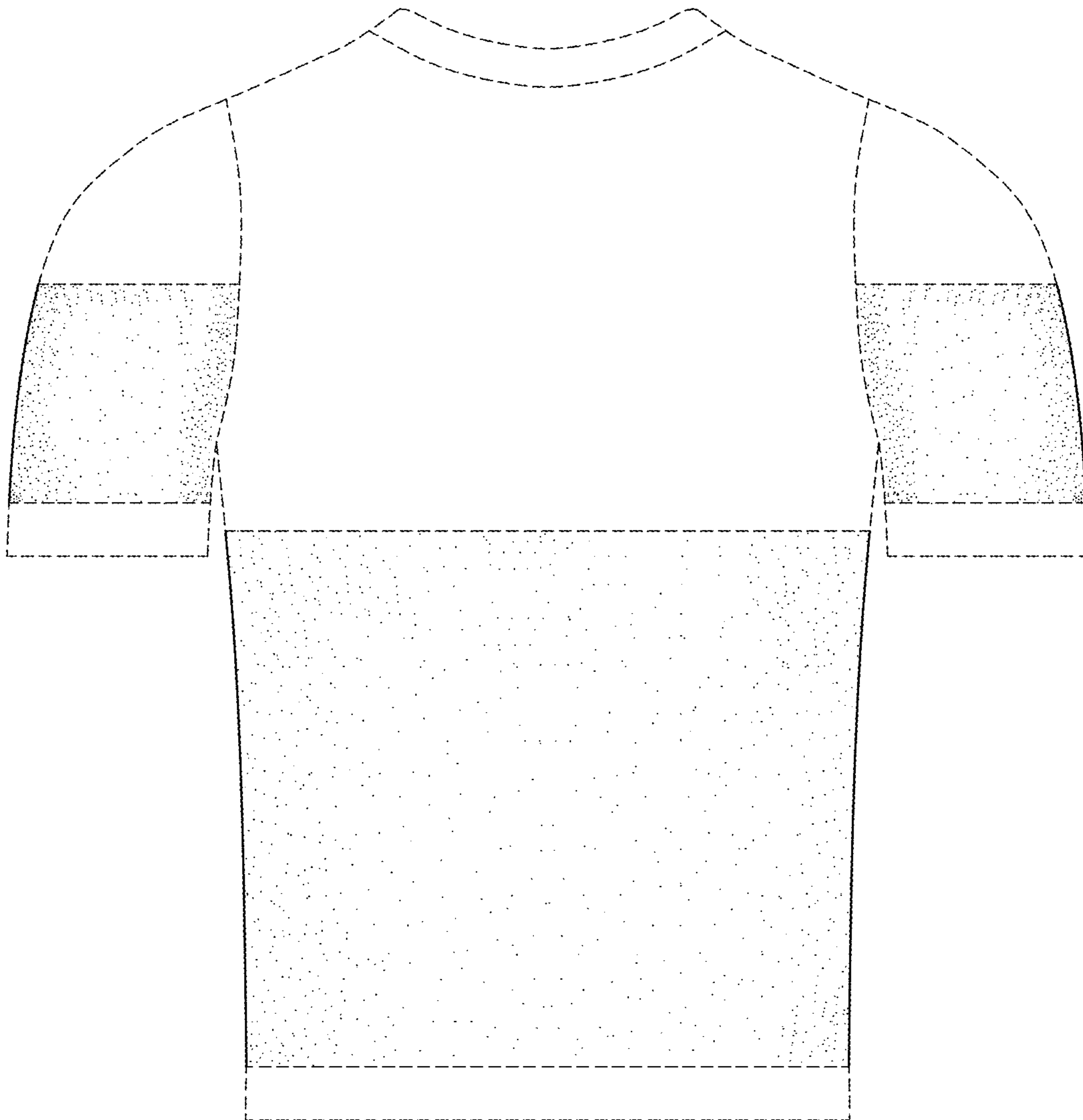


FIG. 3

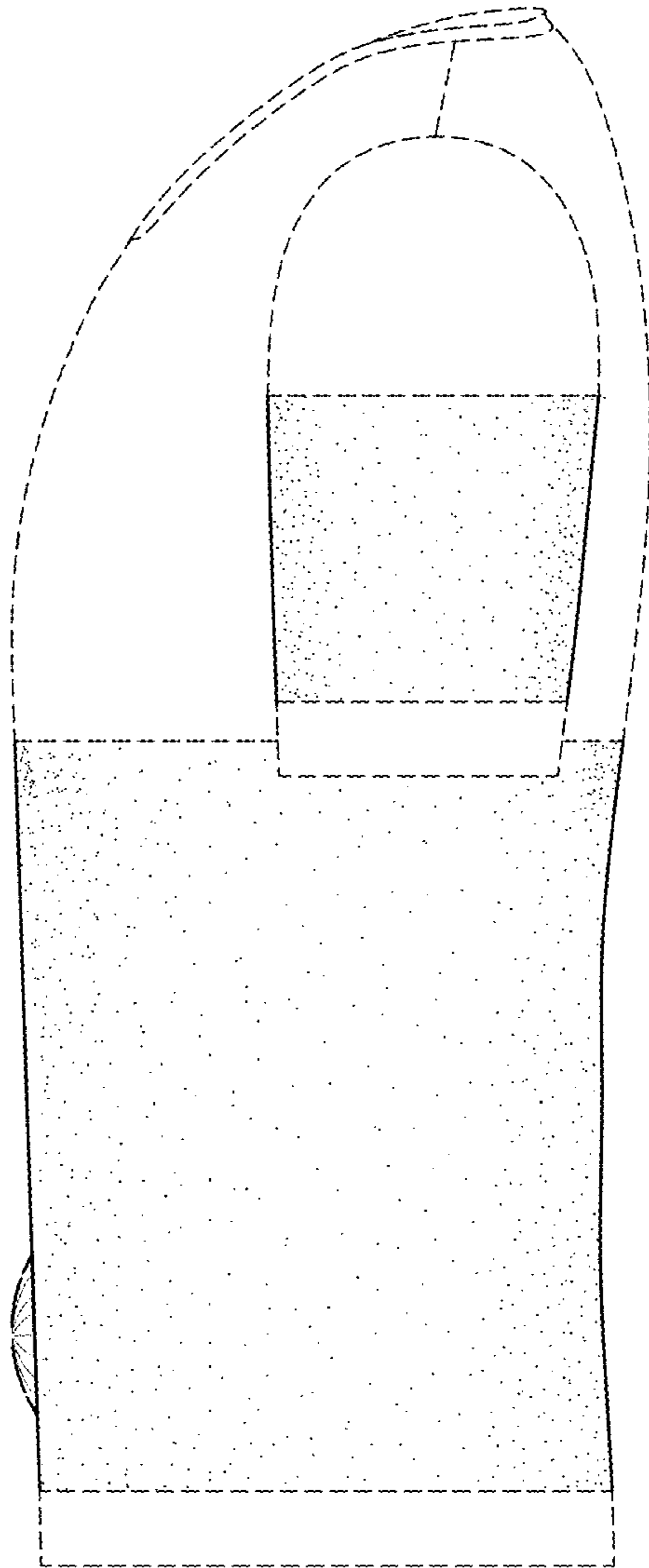


FIG. 4

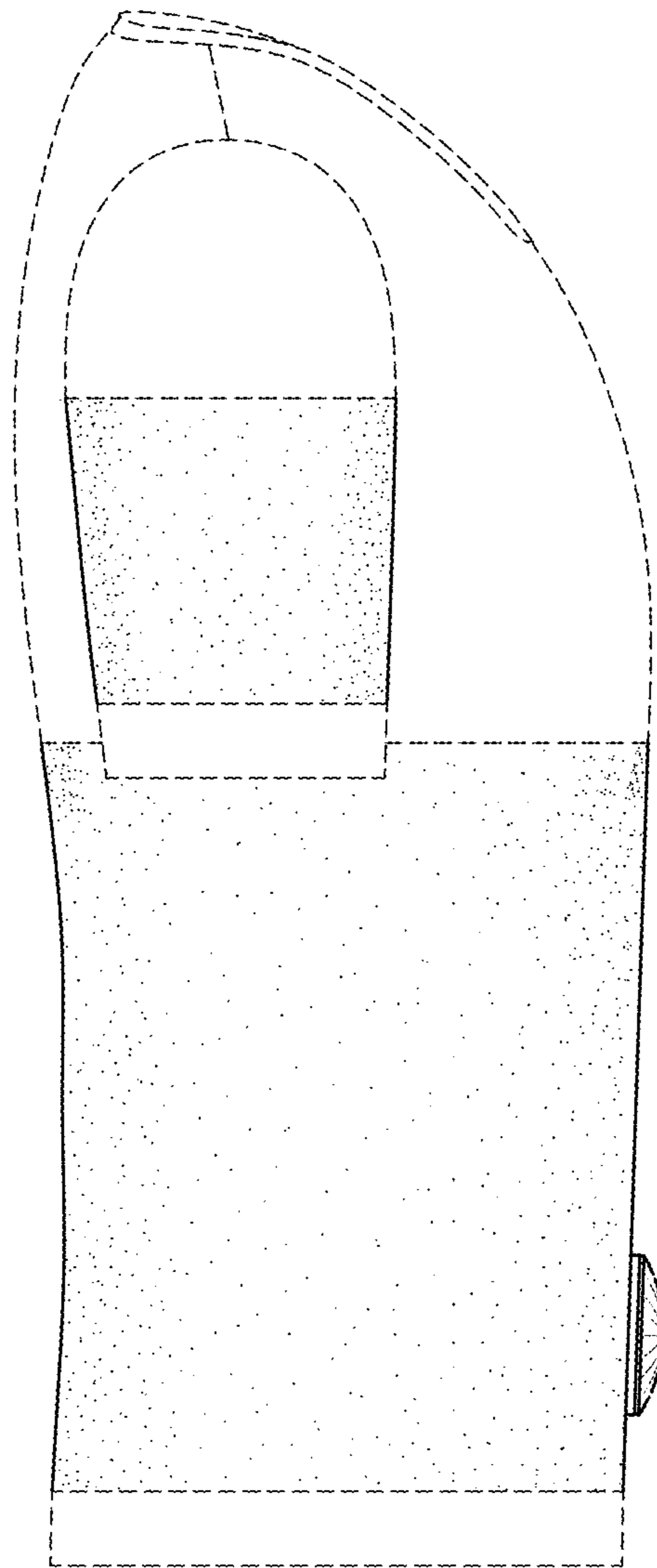


FIG. 5

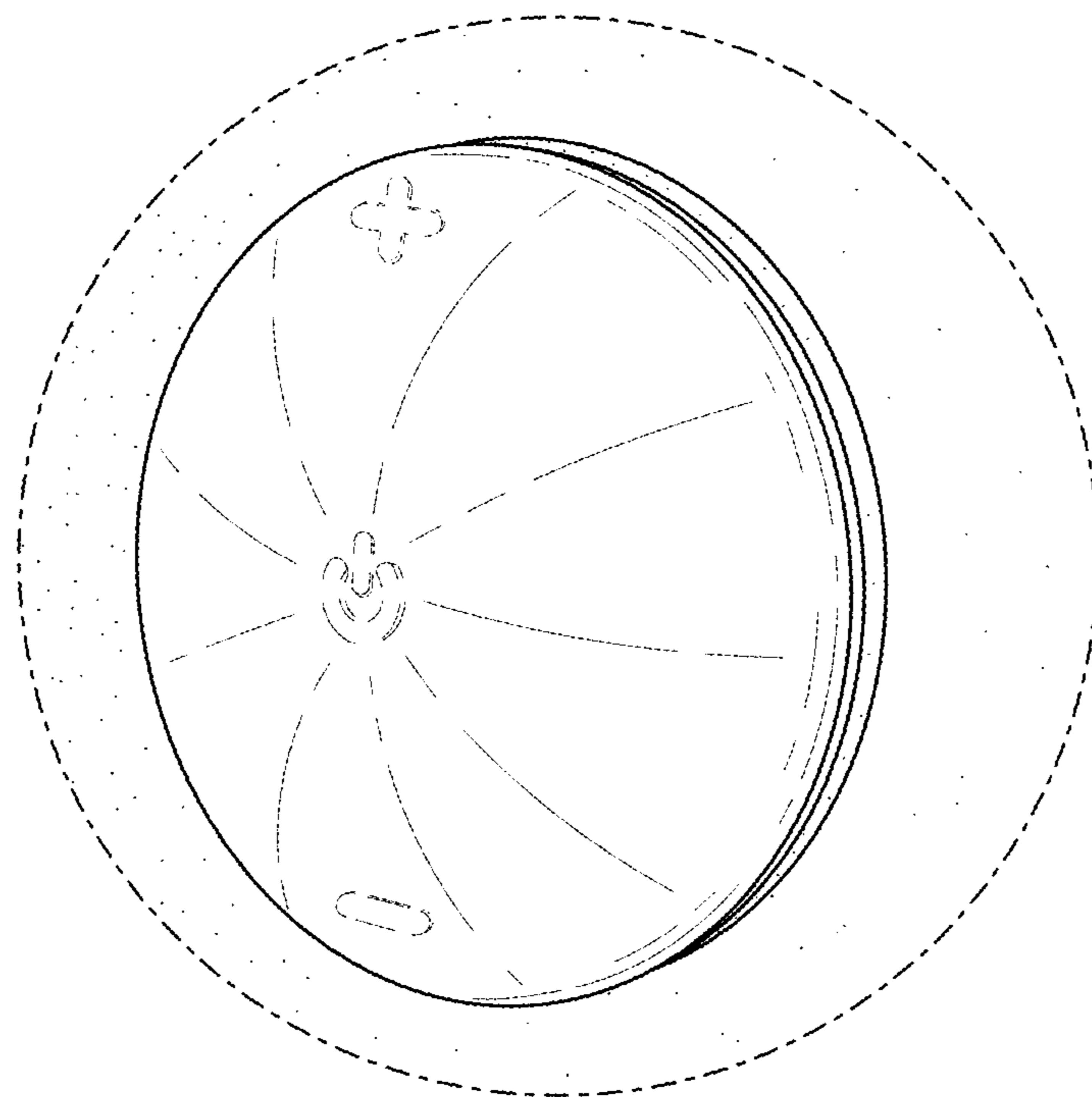


FIG. 6

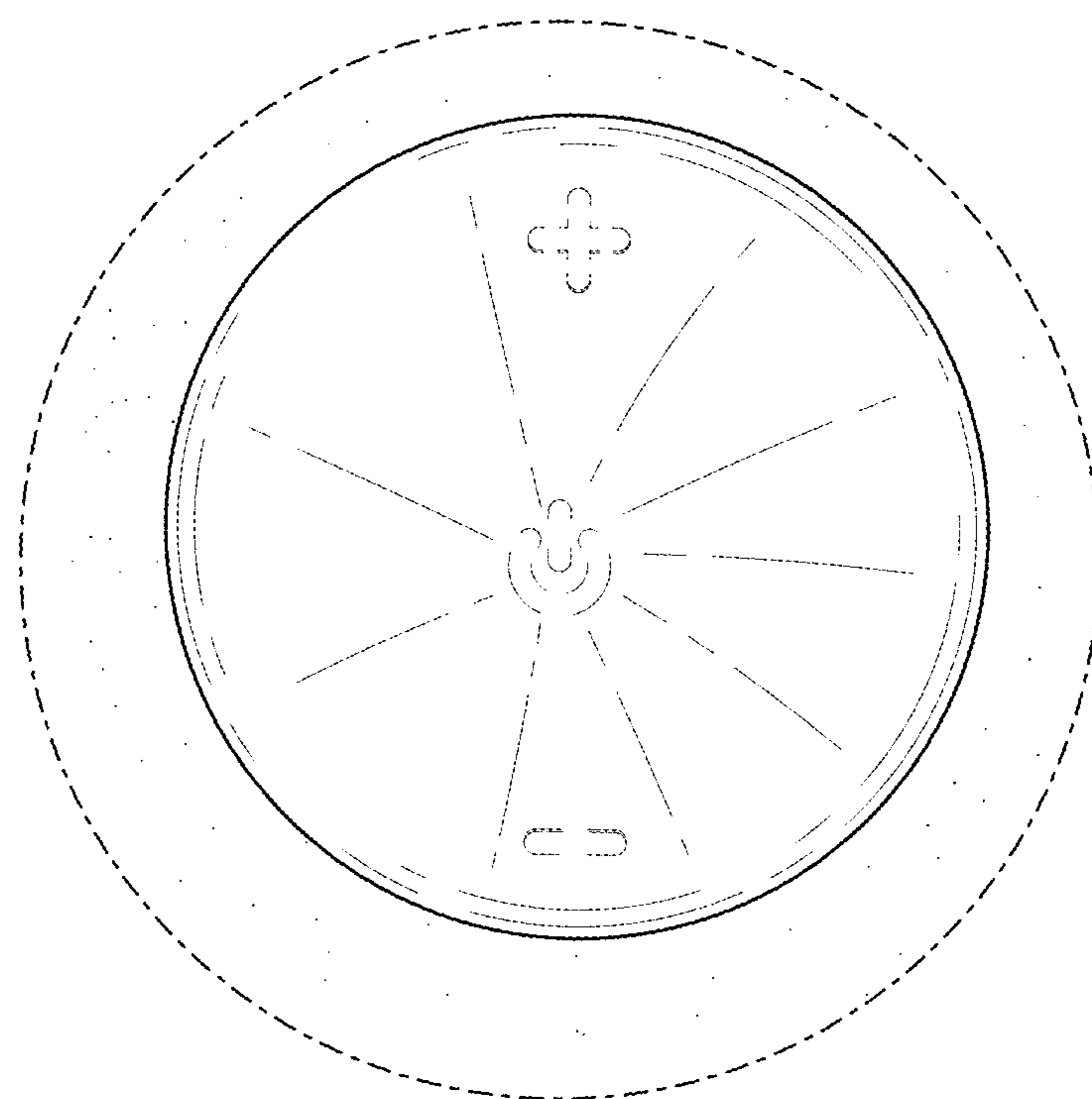


FIG. 7

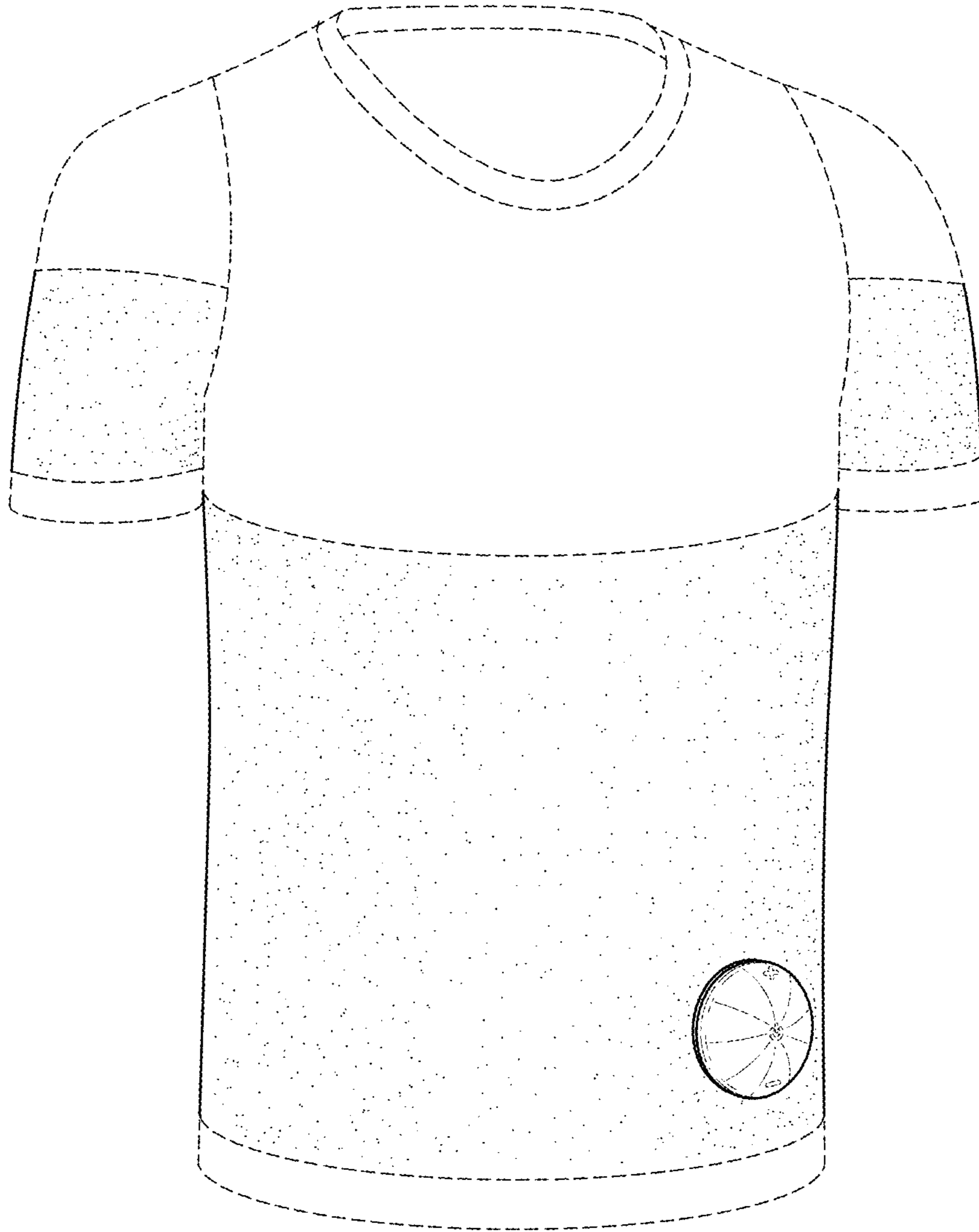


FIG. 8

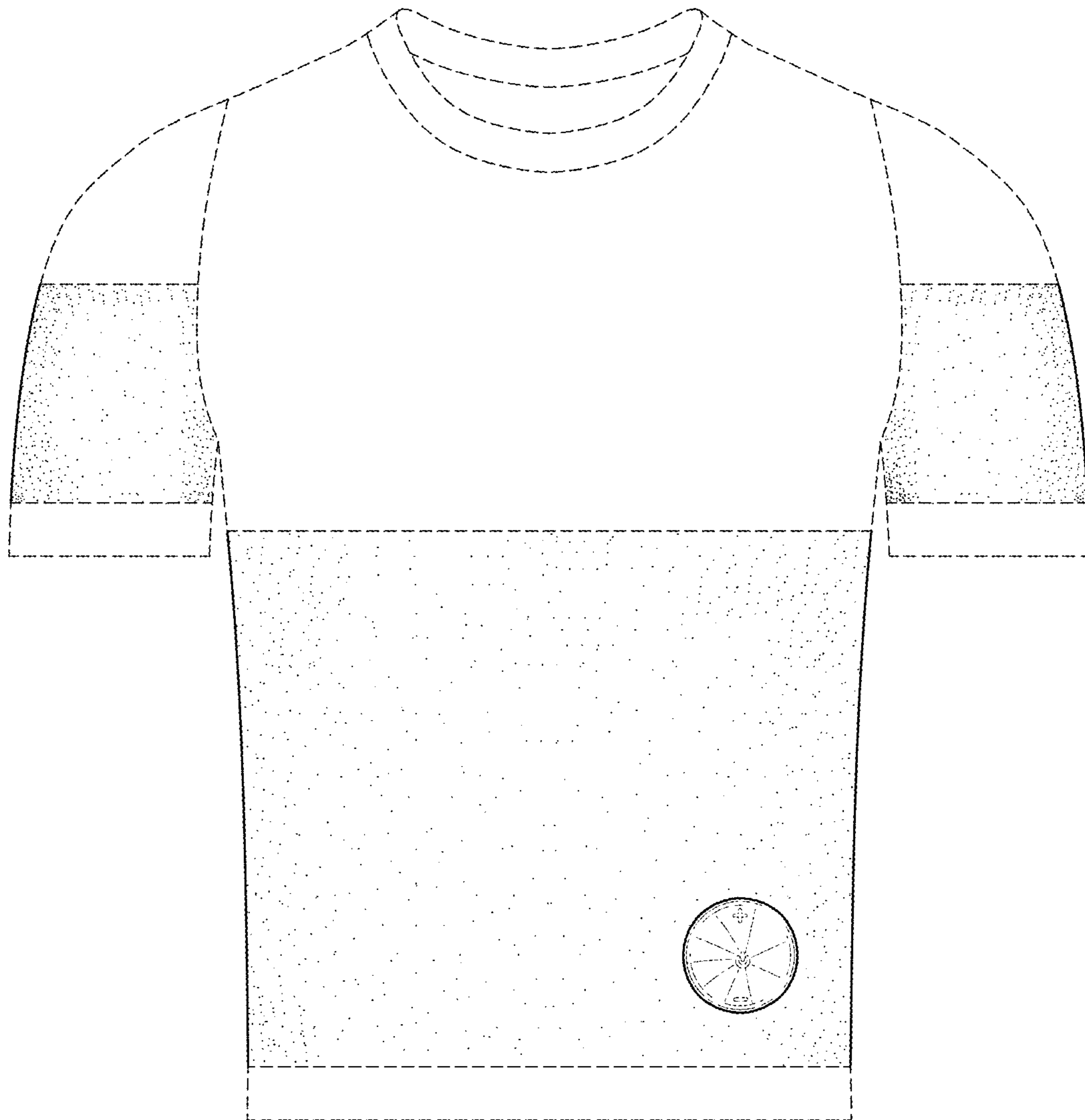


FIG. 9

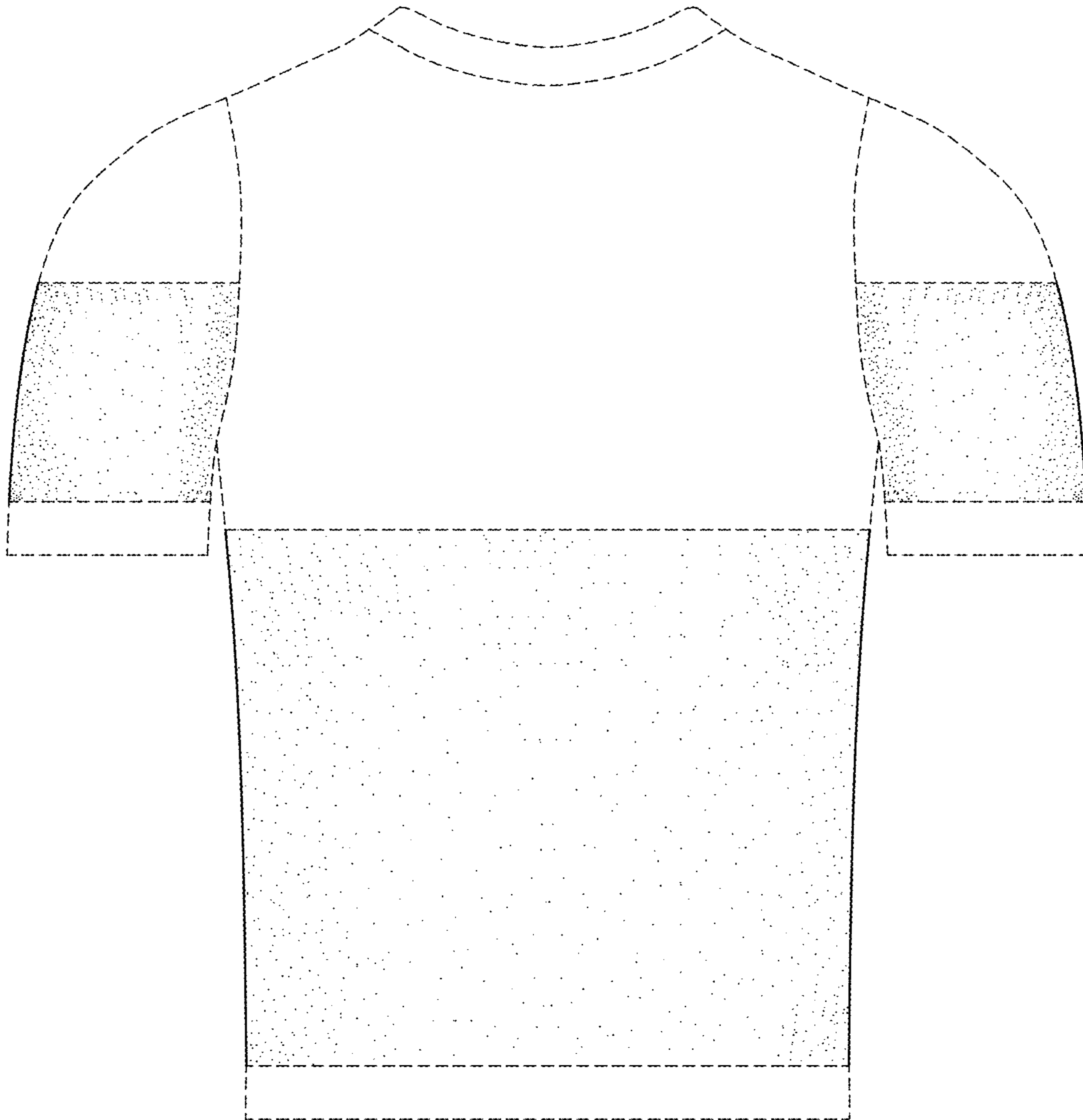


FIG. 10

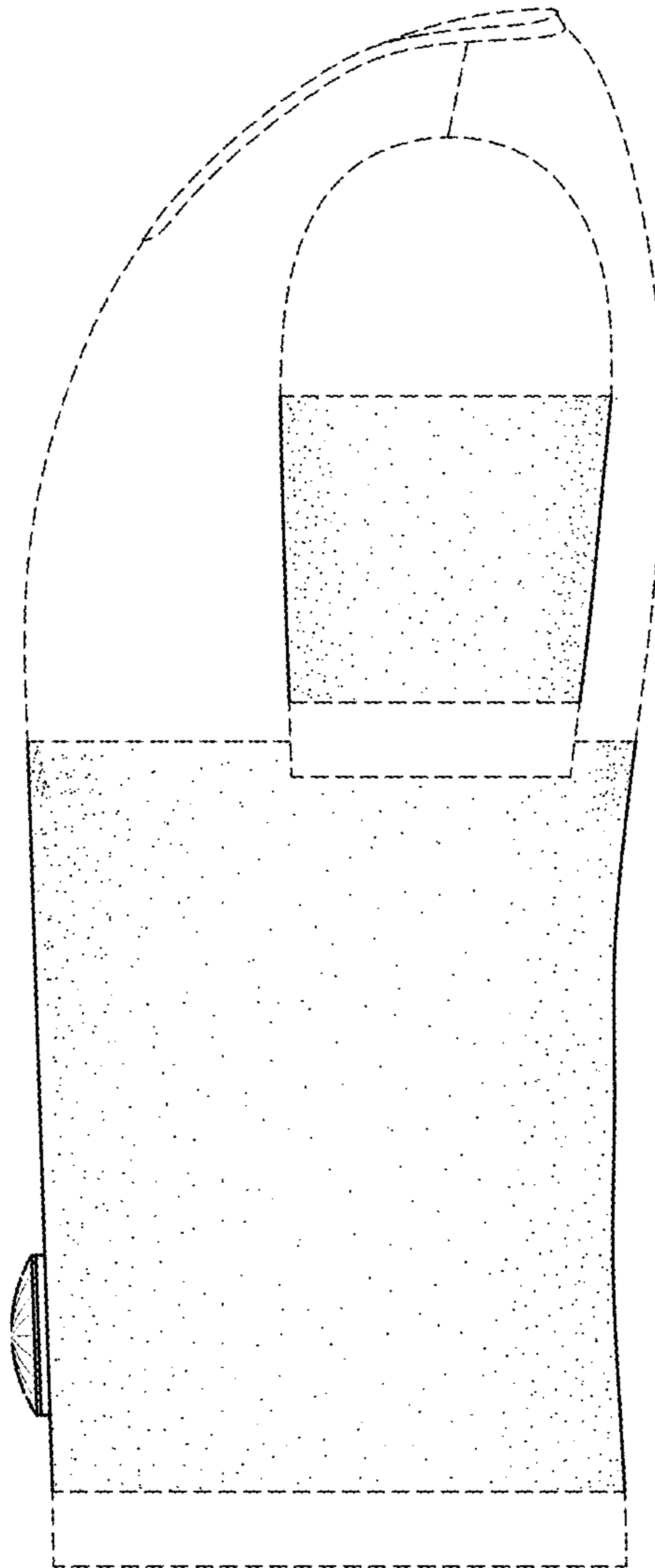


FIG. 11

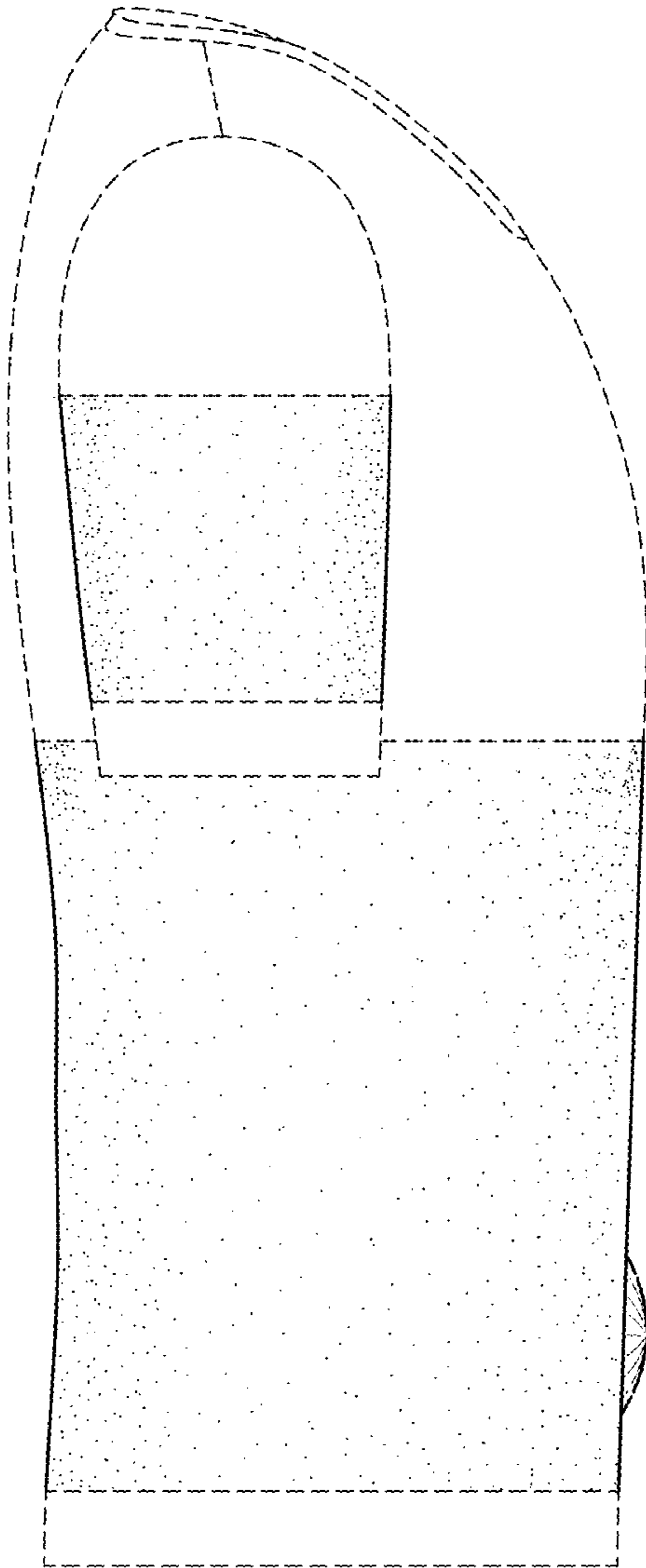


FIG. 12

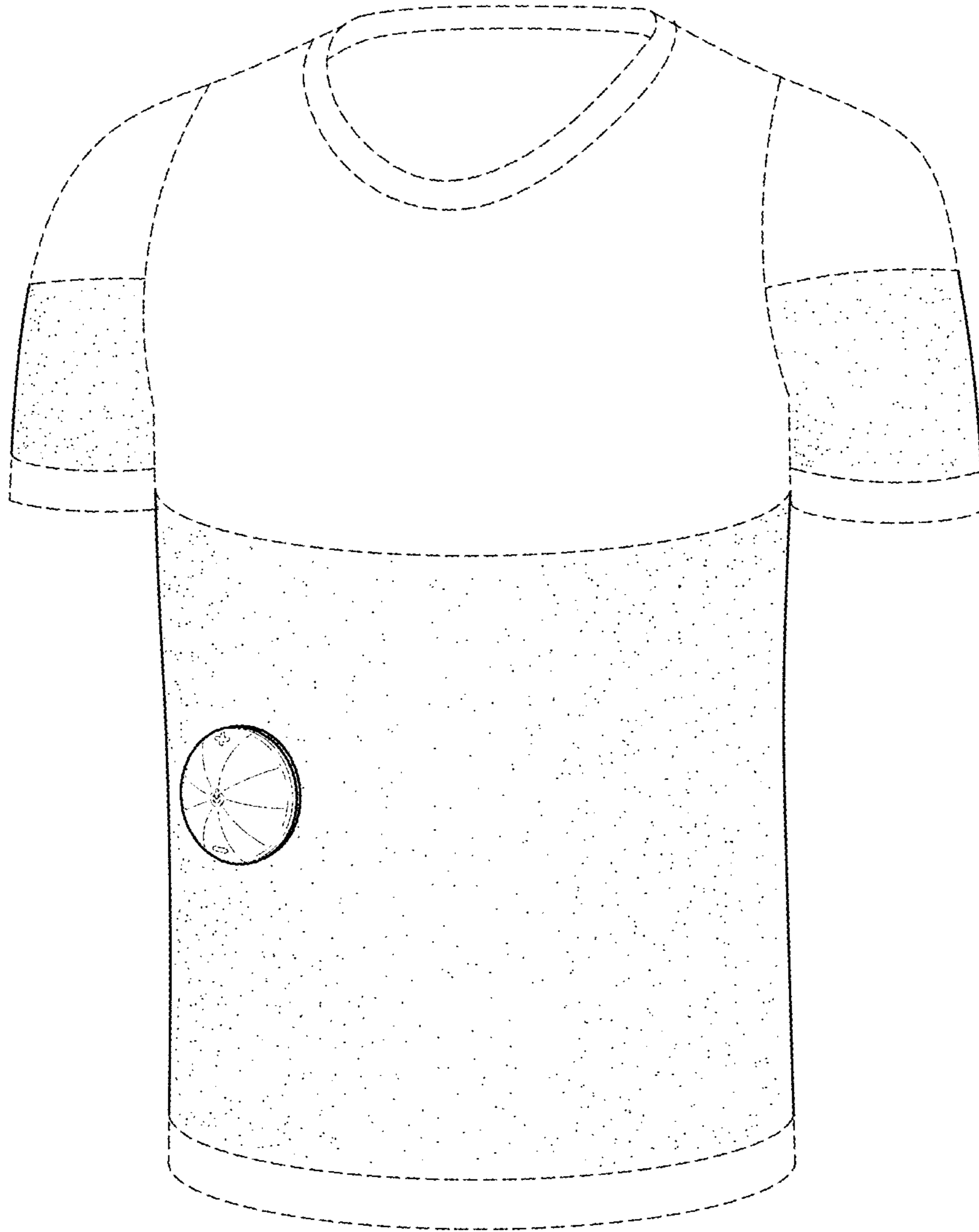


FIG. 13

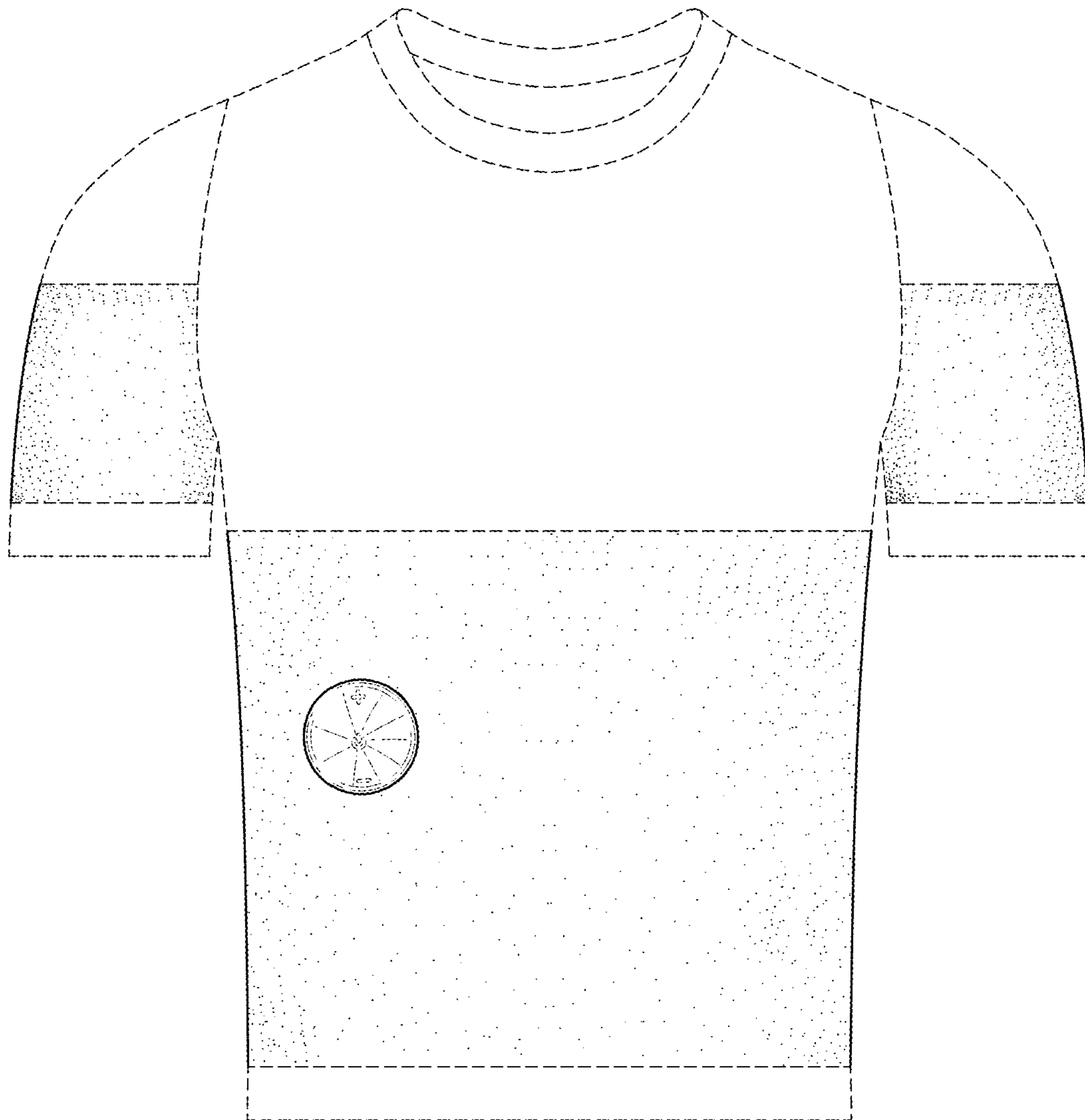


FIG. 14

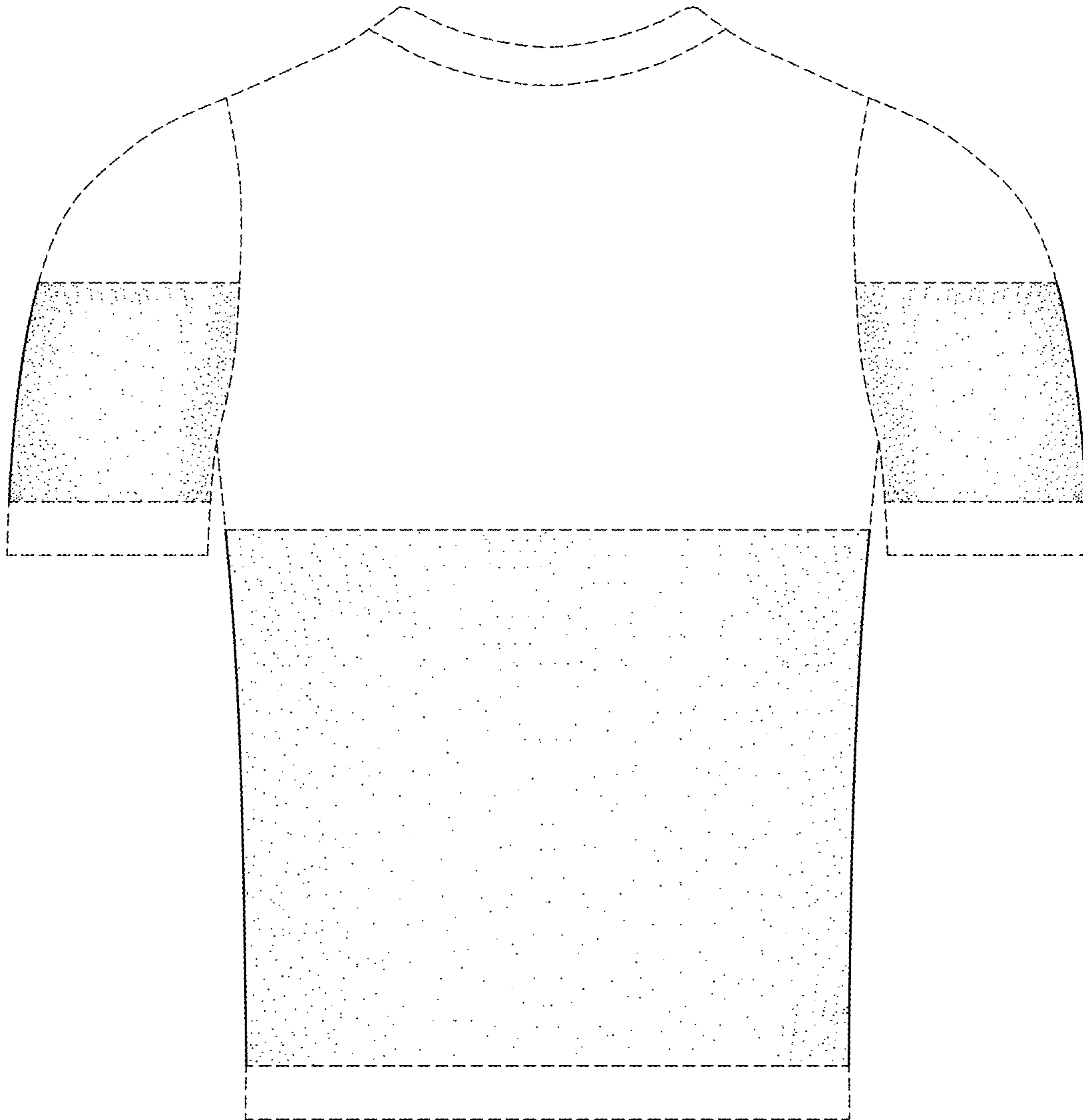


FIG. 15

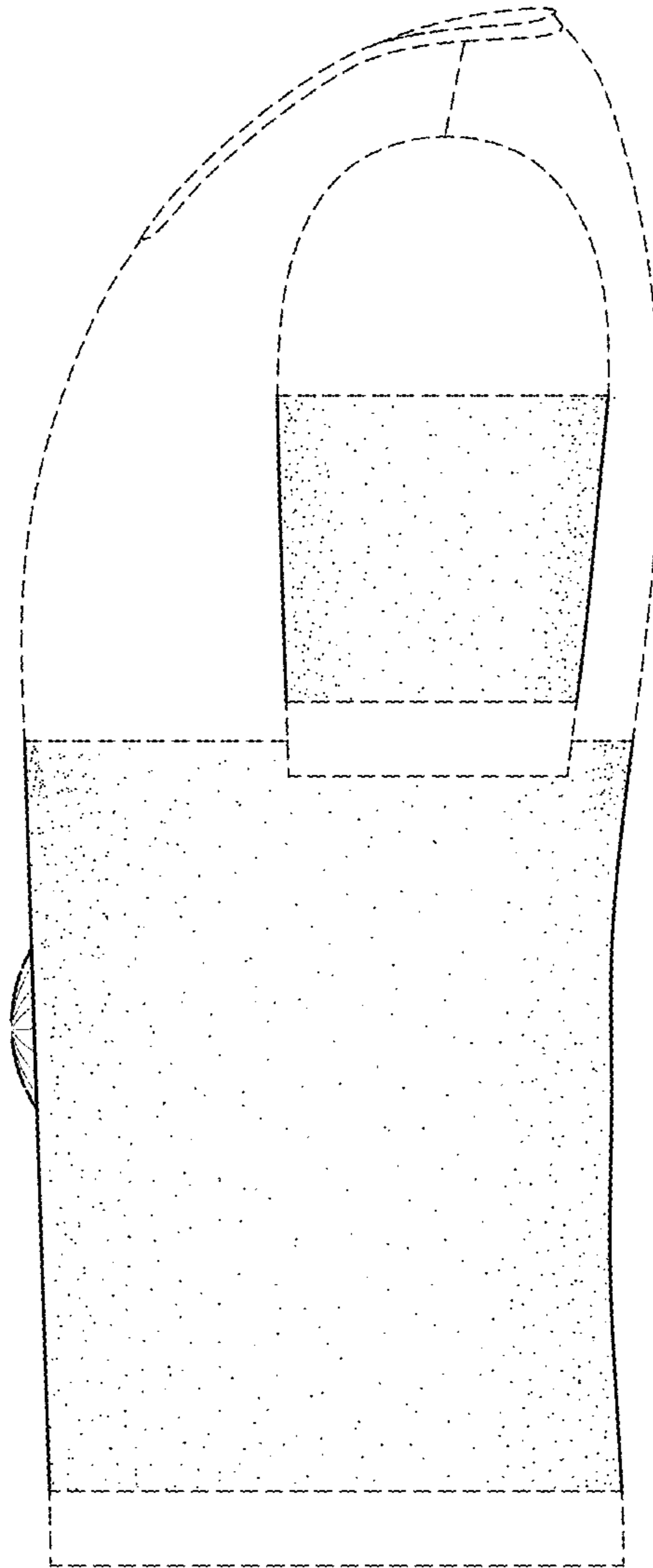


FIG. 16

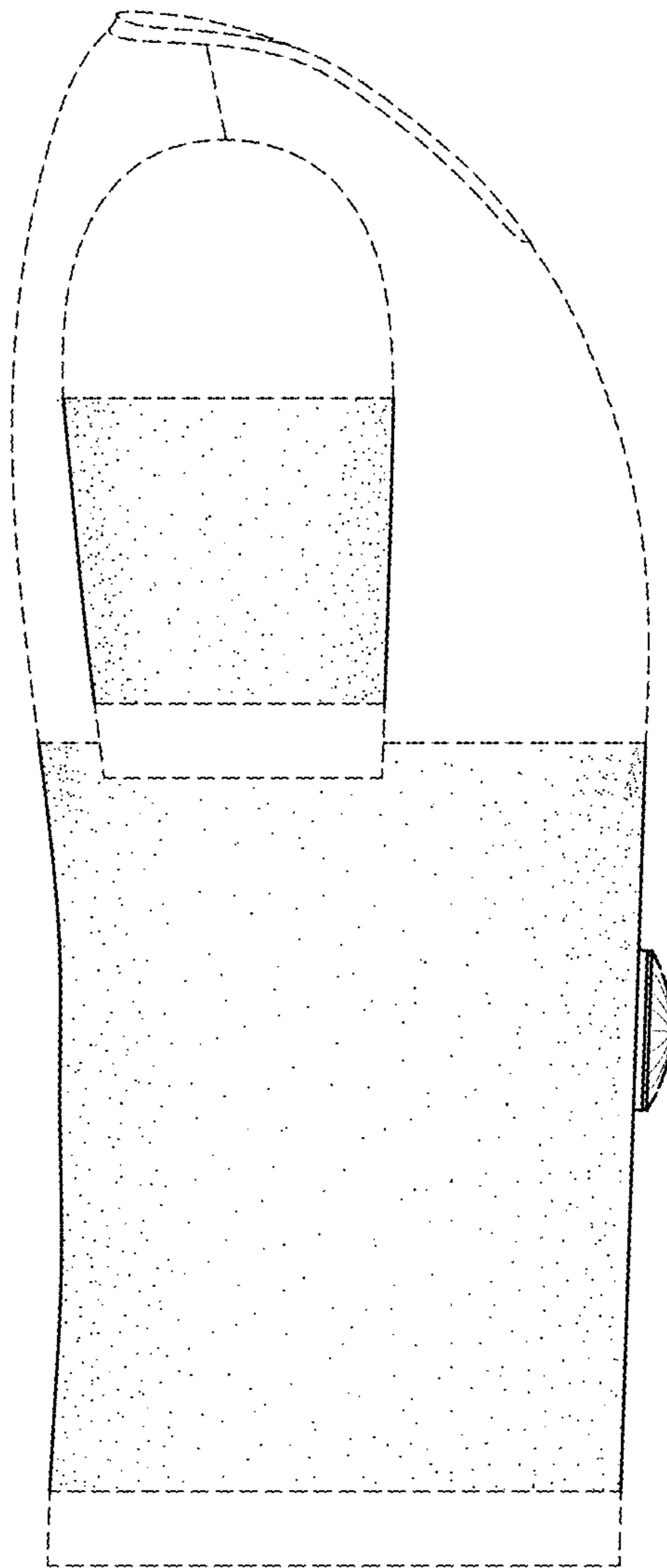


FIG. 17

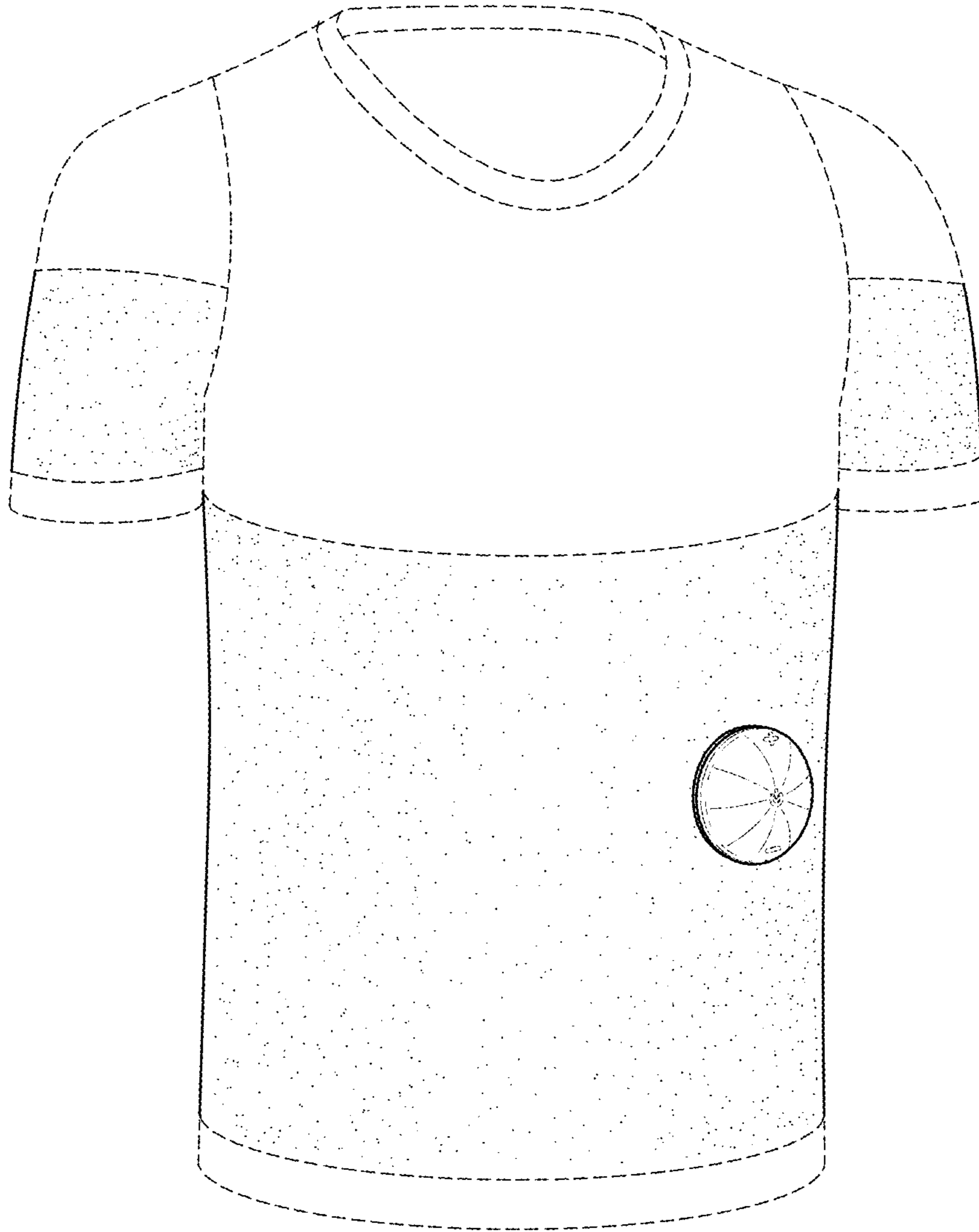


FIG. 18

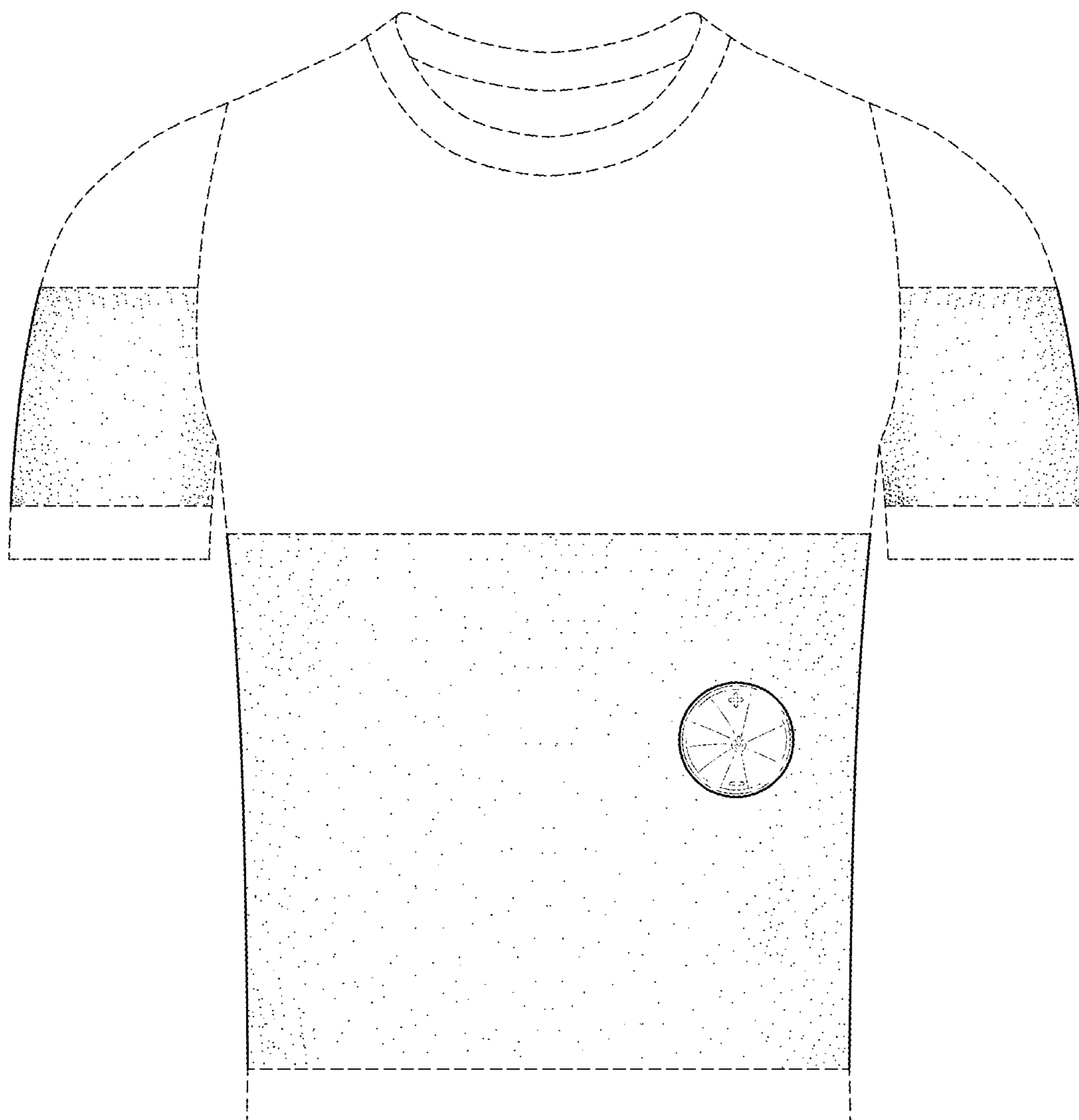


FIG. 19

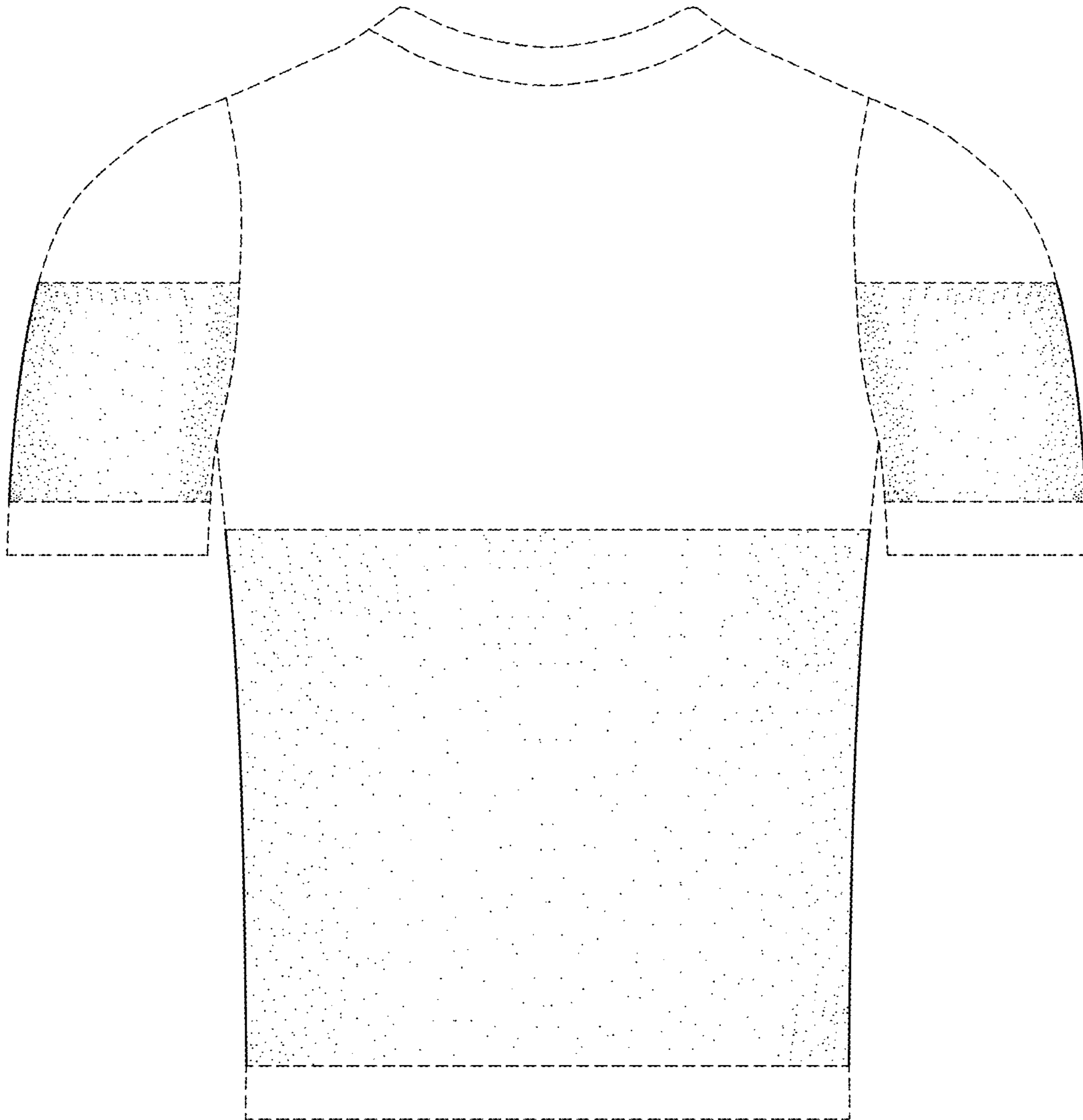


FIG. 20

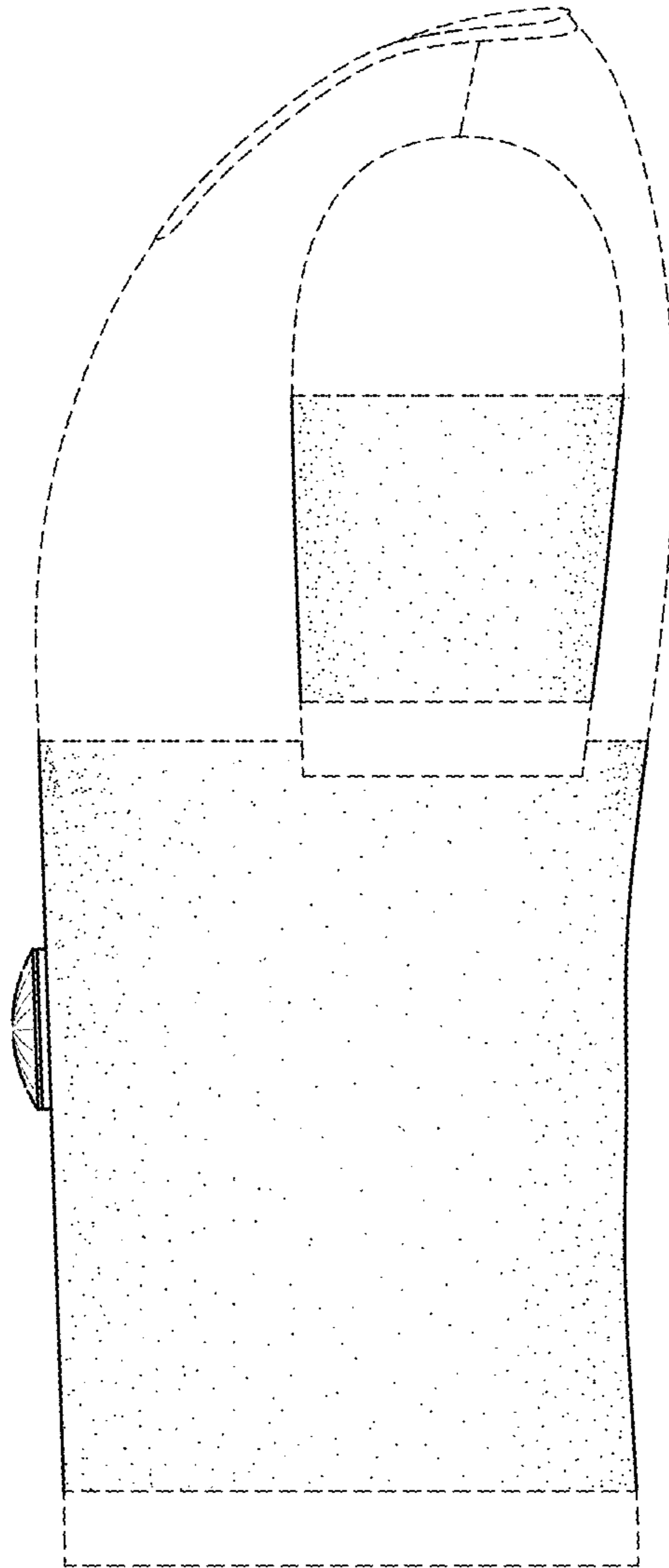


FIG. 21

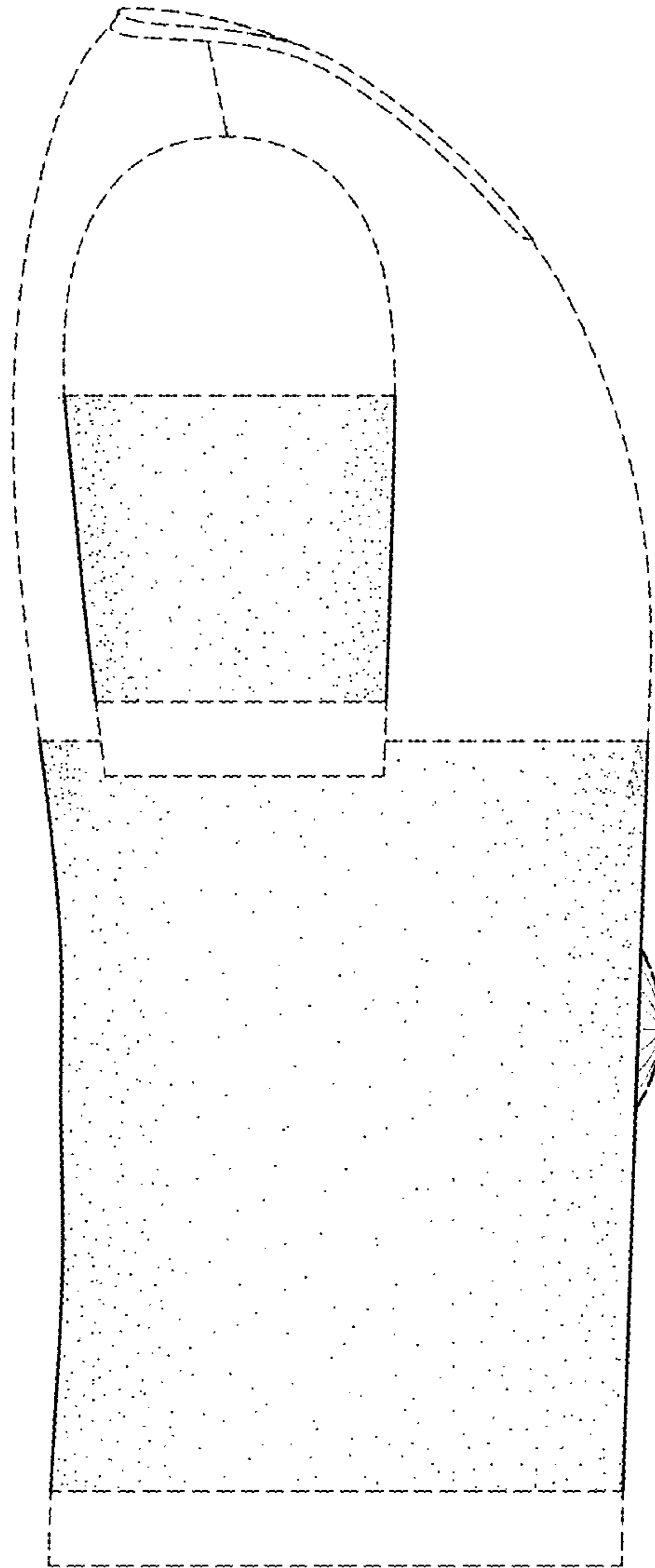


FIG. 22

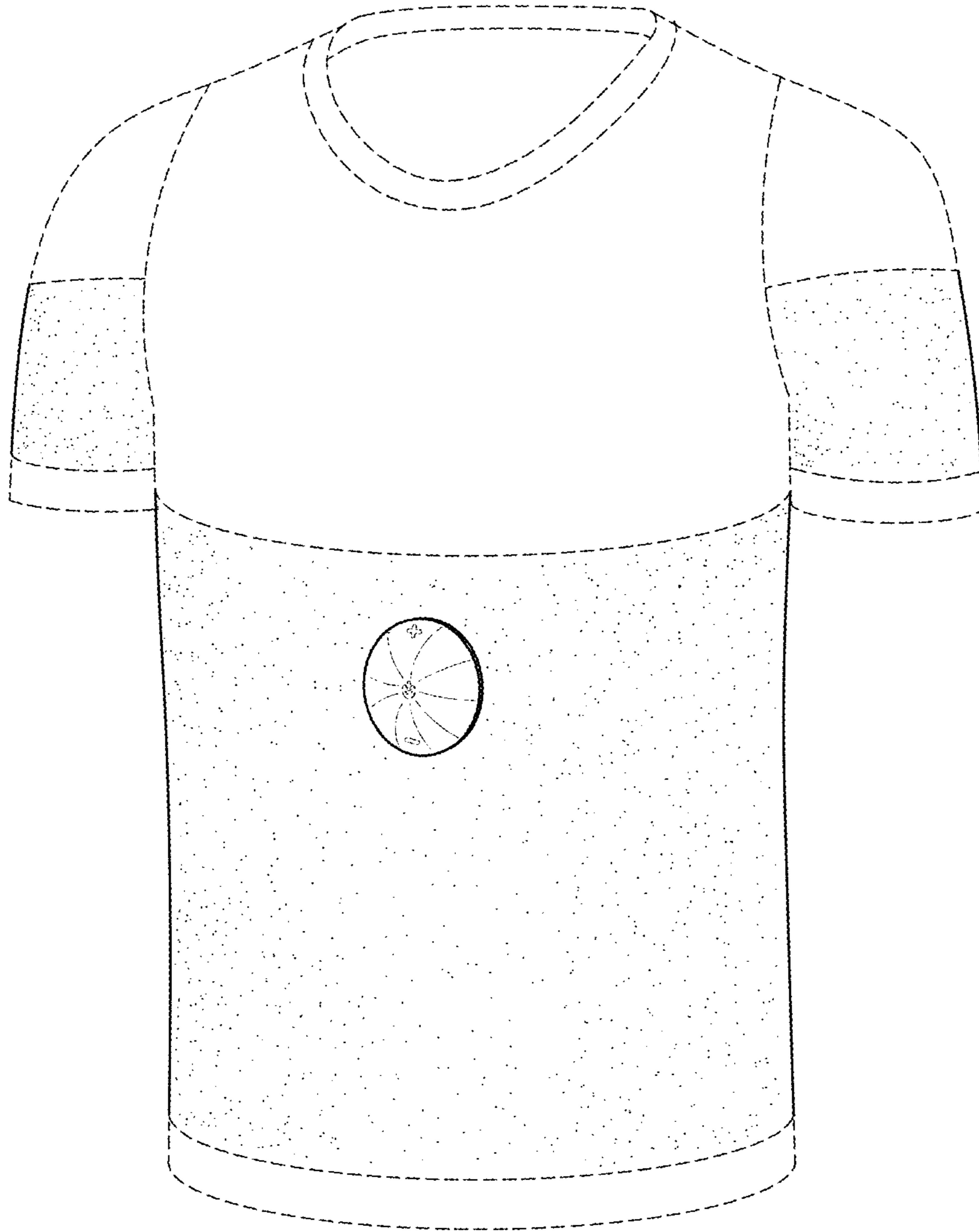


FIG. 23

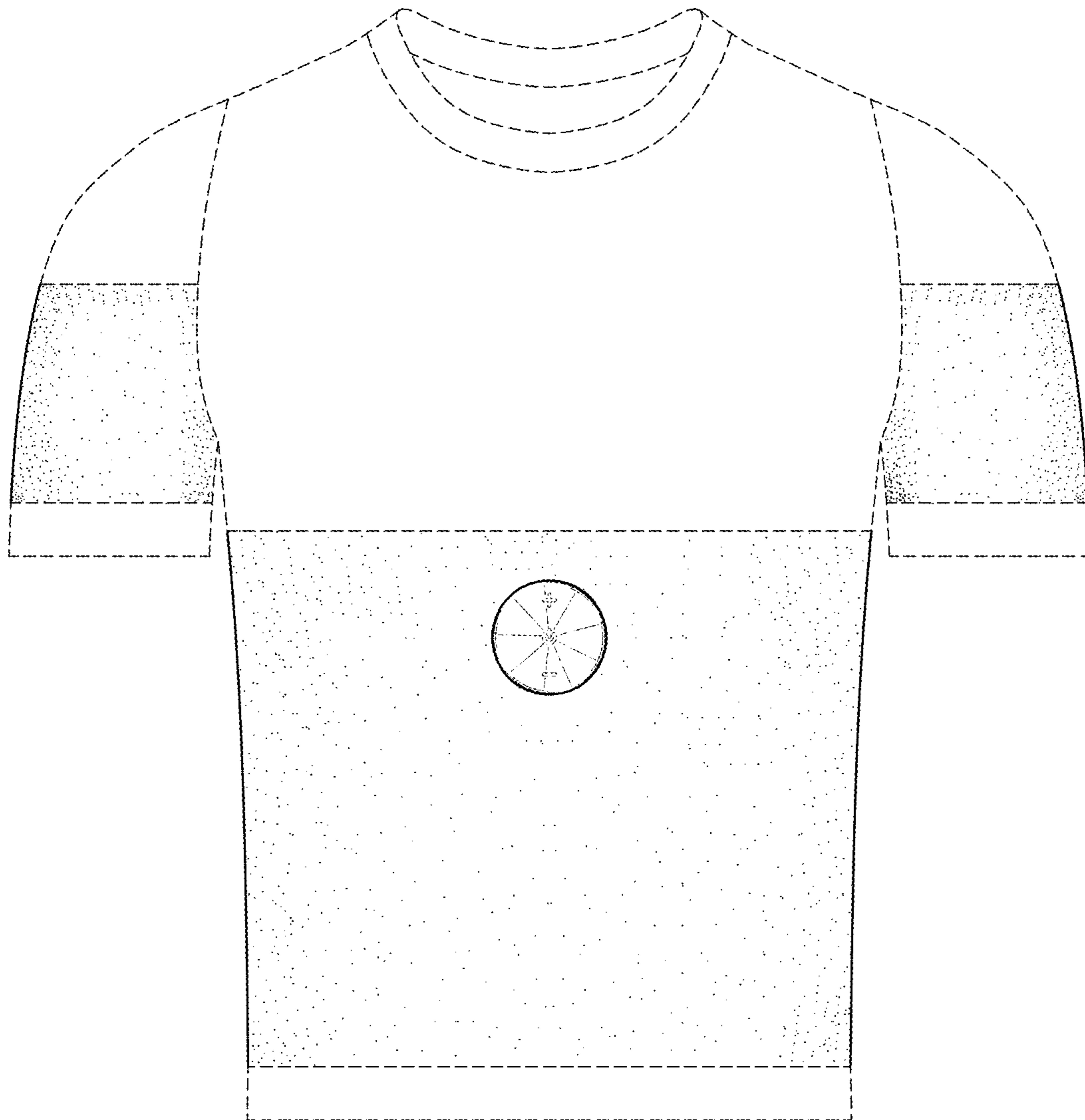


FIG. 24

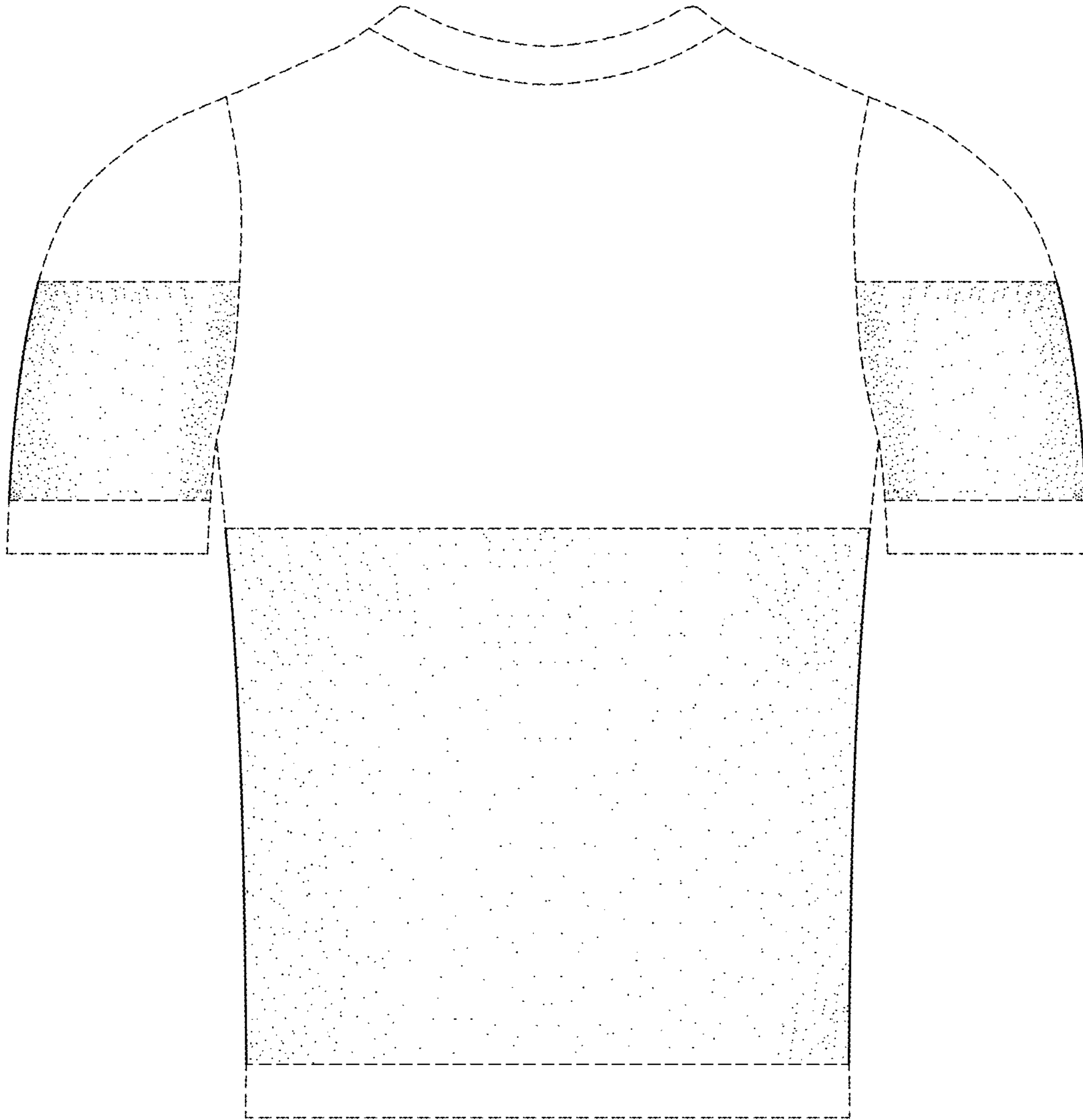


FIG. 25

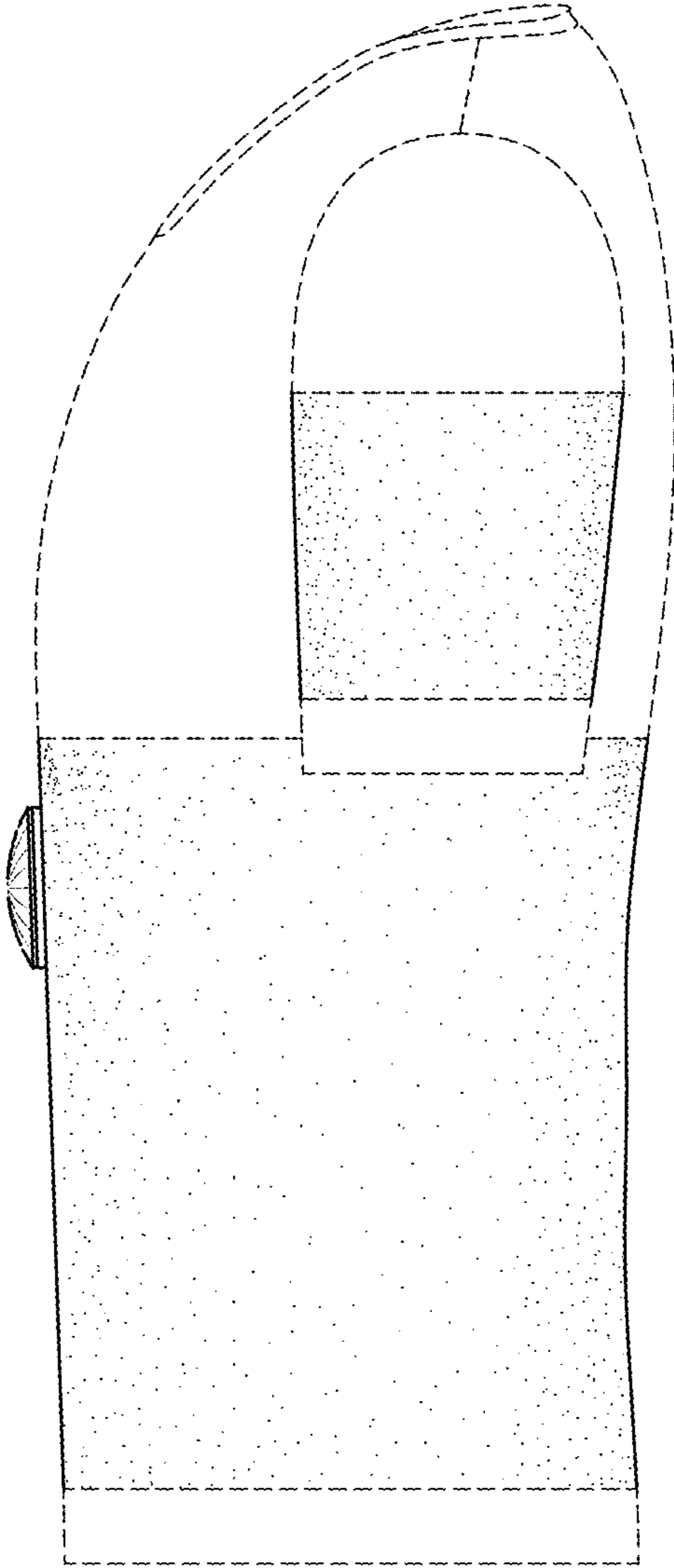


FIG. 26

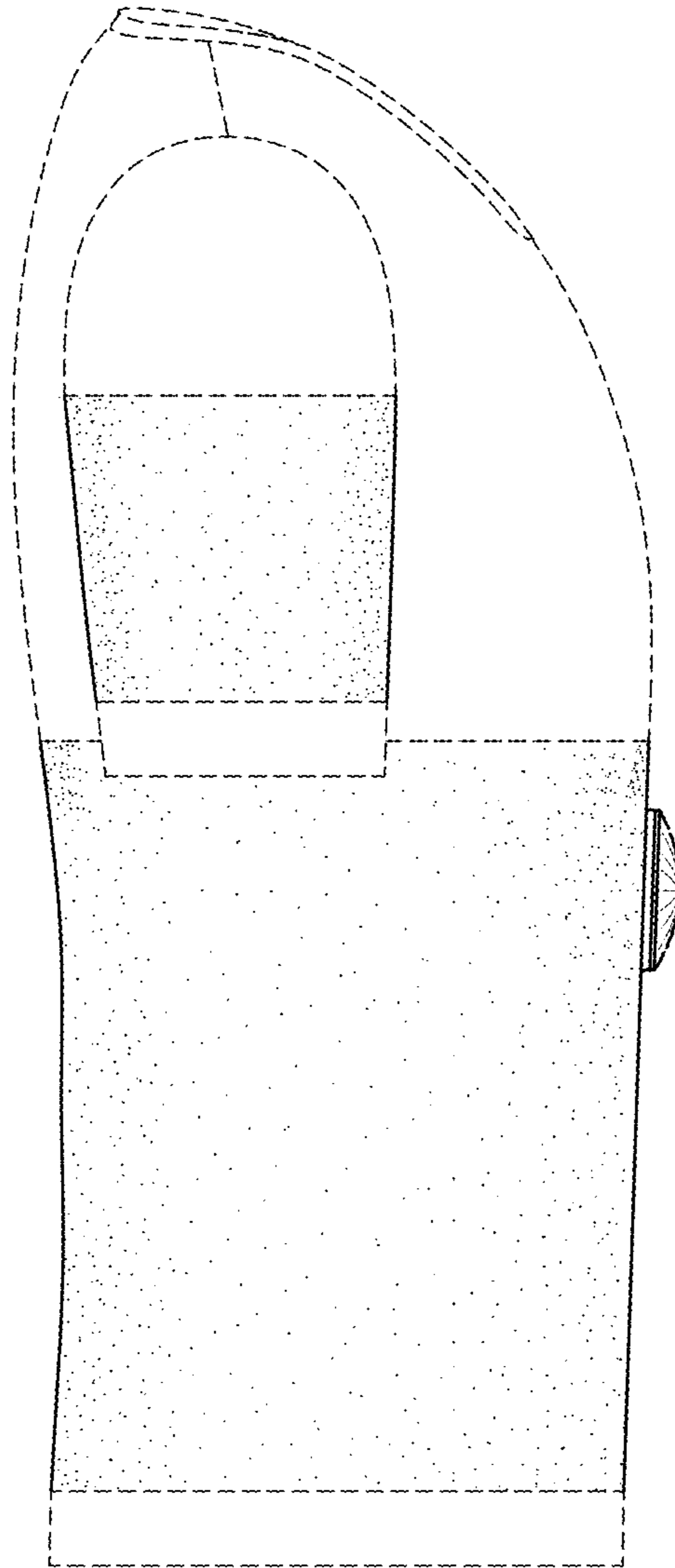


FIG. 27

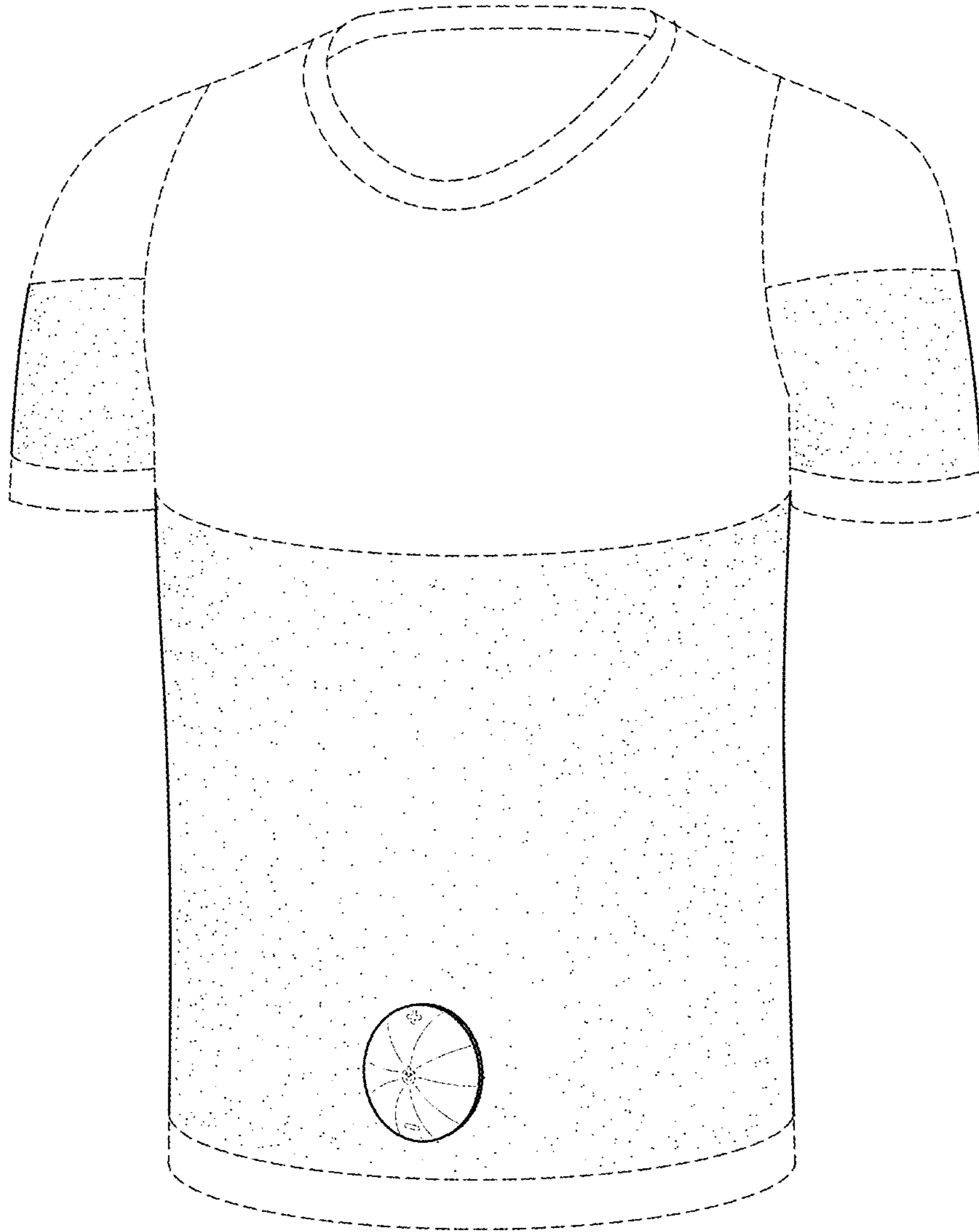


FIG. 28

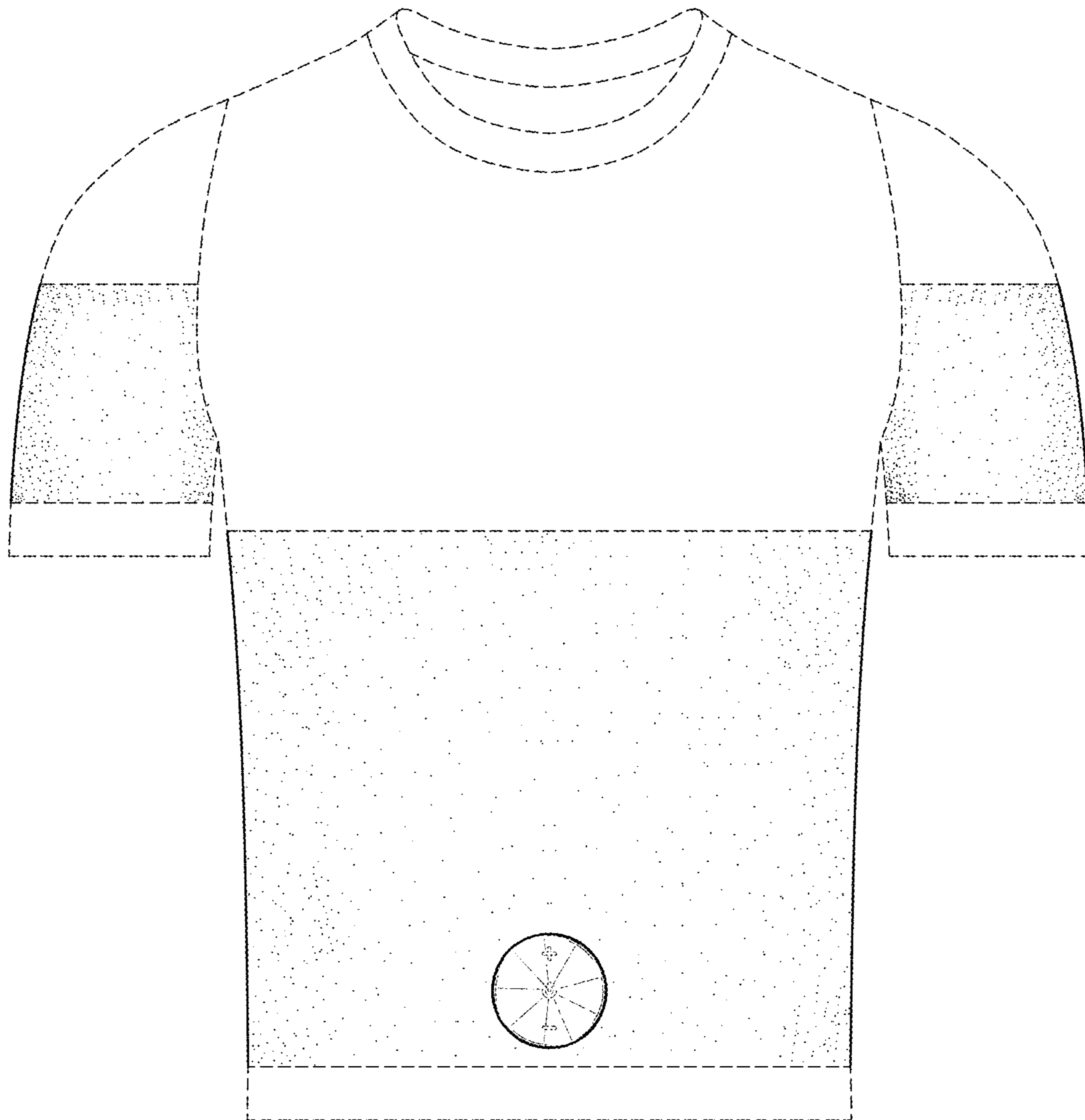


FIG. 29

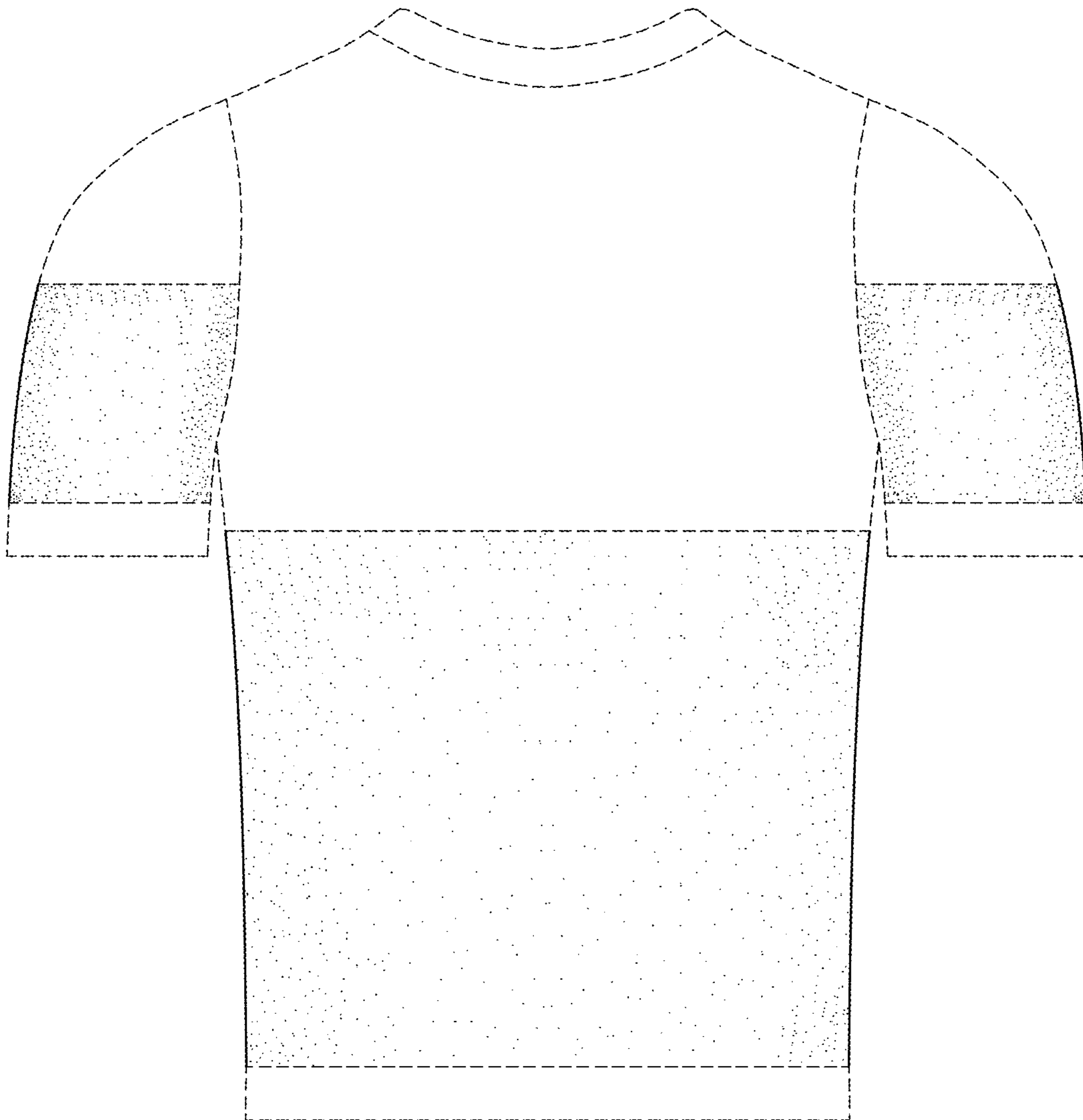


FIG. 30

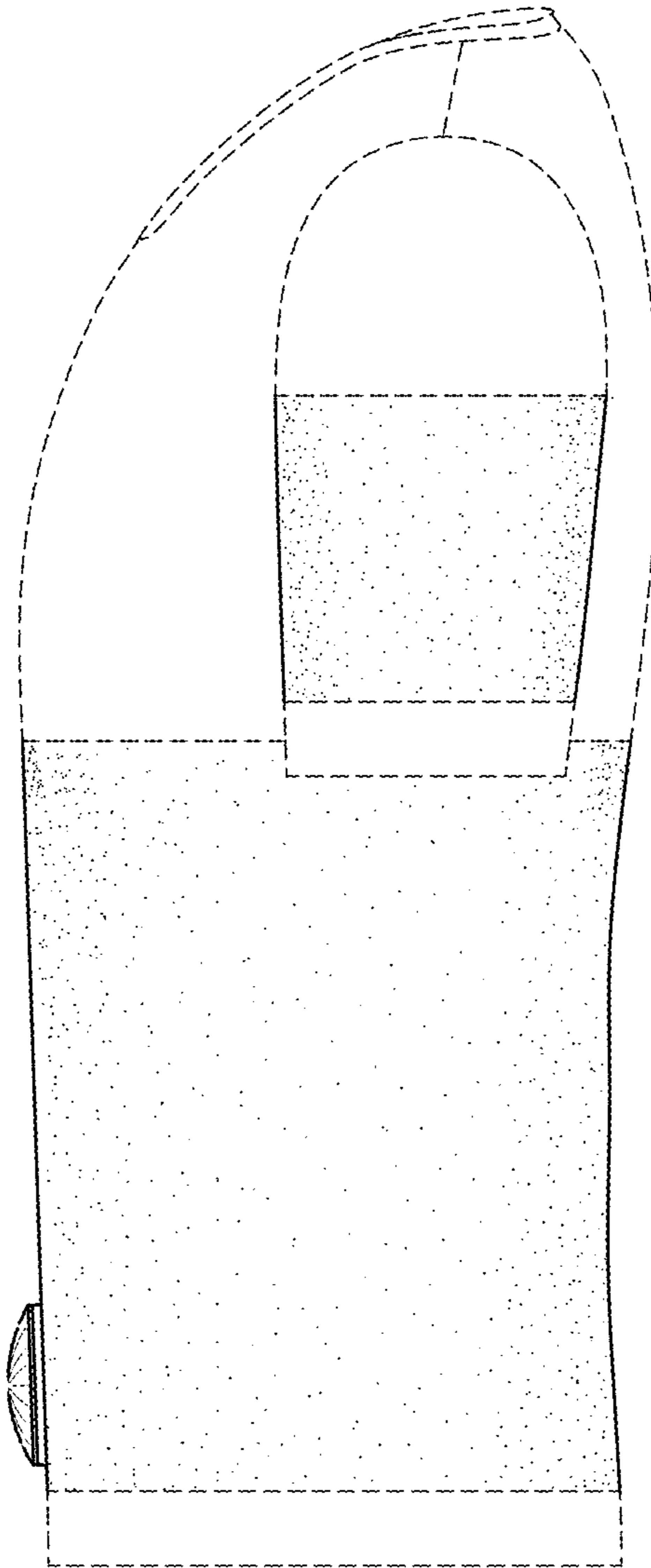


FIG. 31

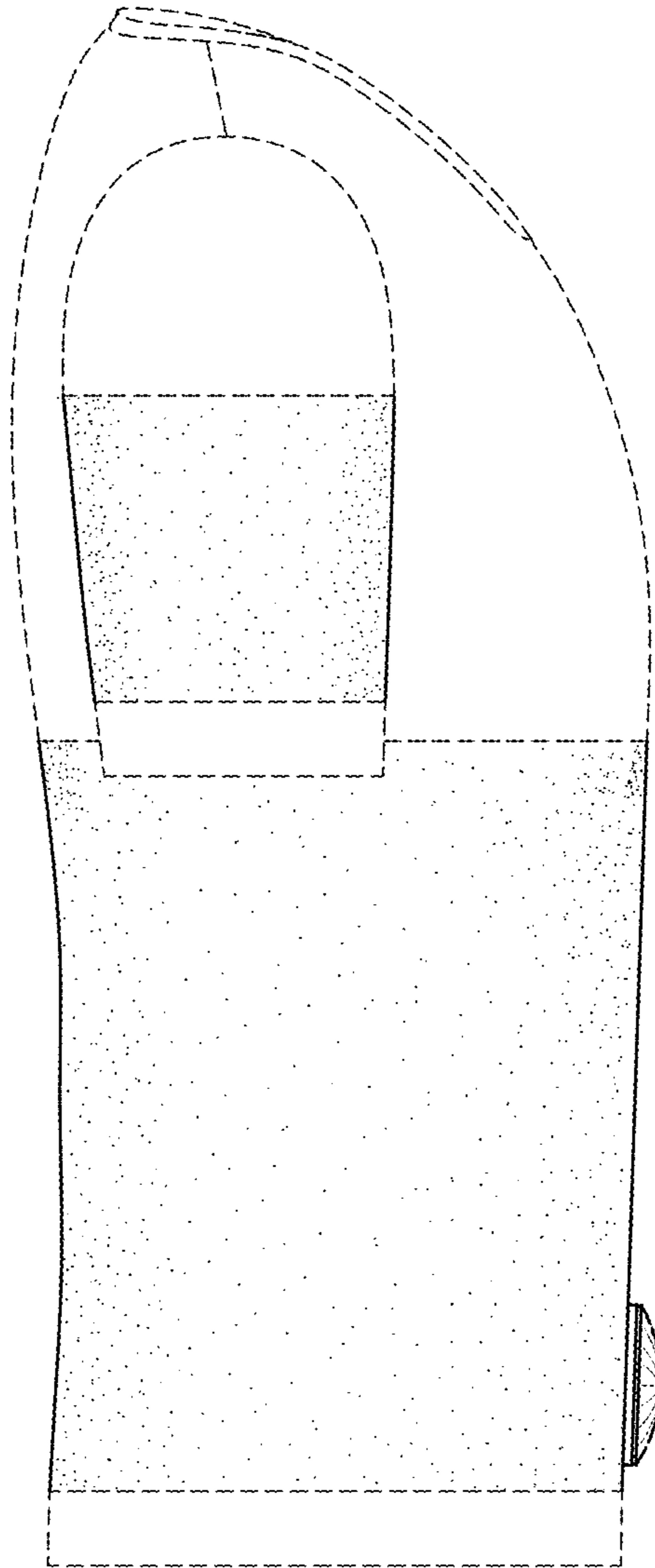


FIG. 32