



US00D959796S

(12) **United States Design Patent**
Minogue

(10) **Patent No.:** **US D959,796 S**

(45) **Date of Patent:** **** Aug. 9, 2022**

(54) **GARMENT**

(71) Applicant: **Bio-Medical Research Limited,**
Galway (IE)

(72) Inventor: **Conor Minogue,** Galway (IE)

(73) Assignee: **Bio-Medical Research Limited,**
Galway (IE)

(**) Term: **15 Years**

(21) Appl. No.: **29/752,841**

(22) Filed: **Sep. 29, 2020**

(51) **LOC (13) Cl.** **02-02**

(52) **U.S. Cl.**
USPC **D2/728; D2/840**

(58) **Field of Classification Search**
USPC D2/700, 701, 702, 703, 705, 717, 718,
D2/721, 723, 728, 731, 828, 829, 830,
D2/840, 841, 845, 846, 847, 850
CPC A41B 1/00; A41B 1/02; A41B 1/04; A41B
9/00; A41D 1/04; A41D 1/22; A41D
7/00; A41D 13/0015; A41D 13/0017;
A41D 15/00; A41D 15/005; A41D
2400/38

See application file for complete search history.

(56) **References Cited**

U.S. PATENT DOCUMENTS

7,278,758	B2 *	10/2007	Esses	A41D 1/04 362/411
D625,078	S *	10/2010	Scott-Curran	D2/717
D632,056	S *	2/2011	Pijut	D2/717
9,247,907	B2 *	2/2016	Oleson	A61B 5/6823
D797,407	S *	9/2017	Martz	D2/749
D905,932	S *	12/2020	Jacobs	D2/731
D908,315	S *	1/2021	Andre	D2/731
10,883,206	B2 *	1/2021	Altmann	D04B 1/18
D945,120	S *	3/2022	Andre	D2/717
2009/0158489	A1 *	6/2009	White	G09F 21/02 2/244
2009/0260123	A1 *	10/2009	Swift	A41D 11/00 2/244

(Continued)

OTHER PUBLICATIONS

Why smart clothes, not watches, are the future of wearables, [online]; [article published to the internet on Jan. 13, 2016]; [retrieved from the internet on Mar. 24, 2022]; URL: <https://www.digitaltrends.com/wearables/smart-clothing-is-the-future-of-wearables/>. (3 pages). (Year: 2016).*

Primary Examiner — Jasmine Mlinarcik

(74) *Attorney, Agent, or Firm* — Banner & Witcoff, Ltd.

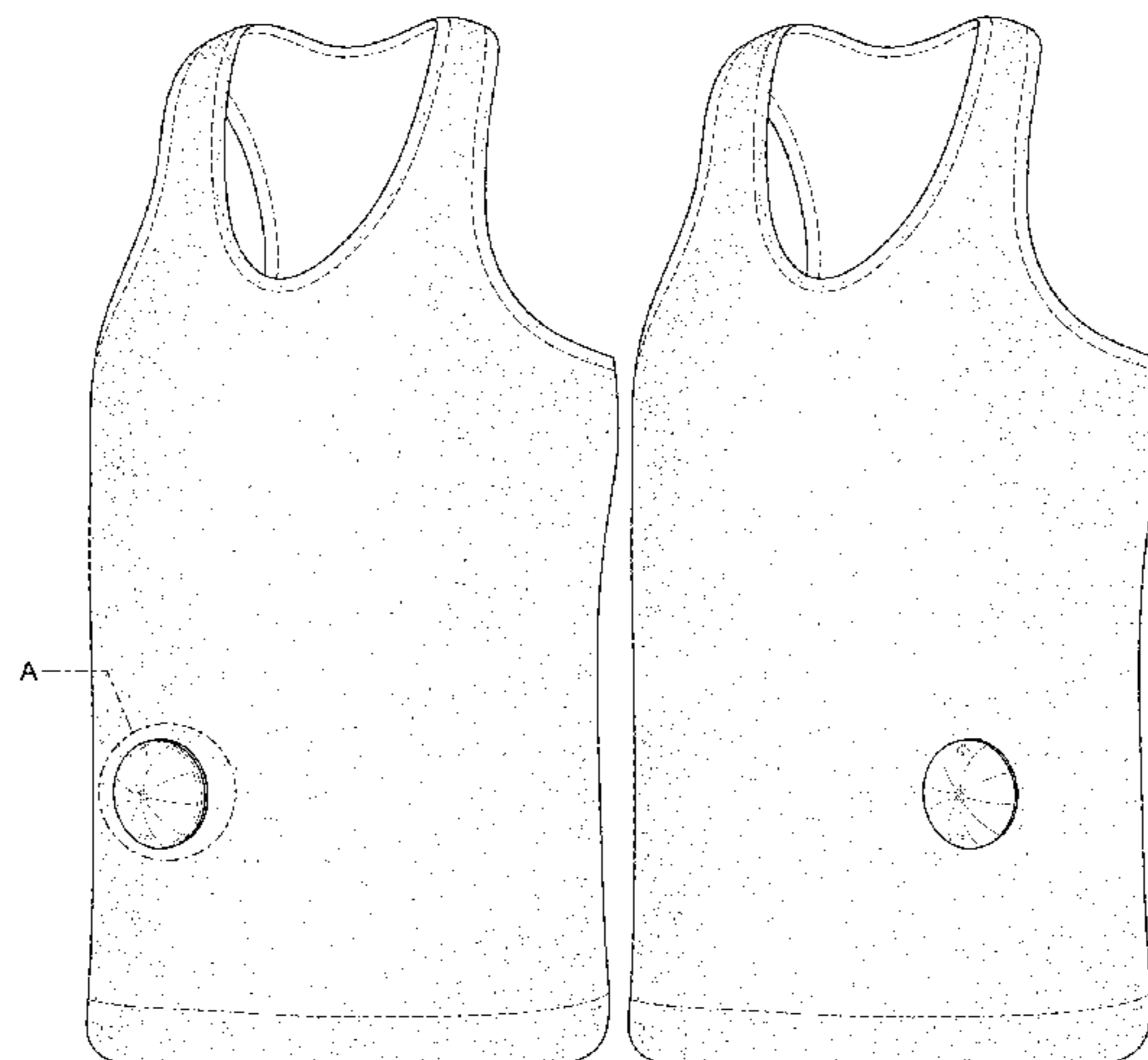
(57) **CLAIM**

The ornamental design for a garment, as shown and described.

DESCRIPTION

FIG. 1 is a front perspective view of a garment showing my new design;
FIG. 2 is a front view thereof;
FIG. 3 is a rear view thereof;
FIG. 4 is a left side view thereof;
FIG. 5 is a right side view thereof;
FIG. 6 is an enlarged view of the encircled portion A indicated in FIG. 1;
FIG. 7 is an enlarged view of the encircled portion B indicated in FIG. 2;
FIG. 8 is a front perspective view of a garment showing my new design in an alternative embodiment;
FIG. 9 is a front view thereof;
FIG. 10 is a rear view thereof;
FIG. 11 is a left side view thereof; and,
FIG. 12 is a right side view thereof.
The even-length broken lines represent stitching and form no part of the claimed design.
The broken lines depicting the icons on the controller form no part of the claimed design.

1 Claim, 12 Drawing Sheets



(56)

References Cited

U.S. PATENT DOCUMENTS

2014/0189928 A1* 7/2014 Oleson A61B 5/6804
600/388
2019/0110748 A1* 4/2019 Cho A41D 1/005

* cited by examiner

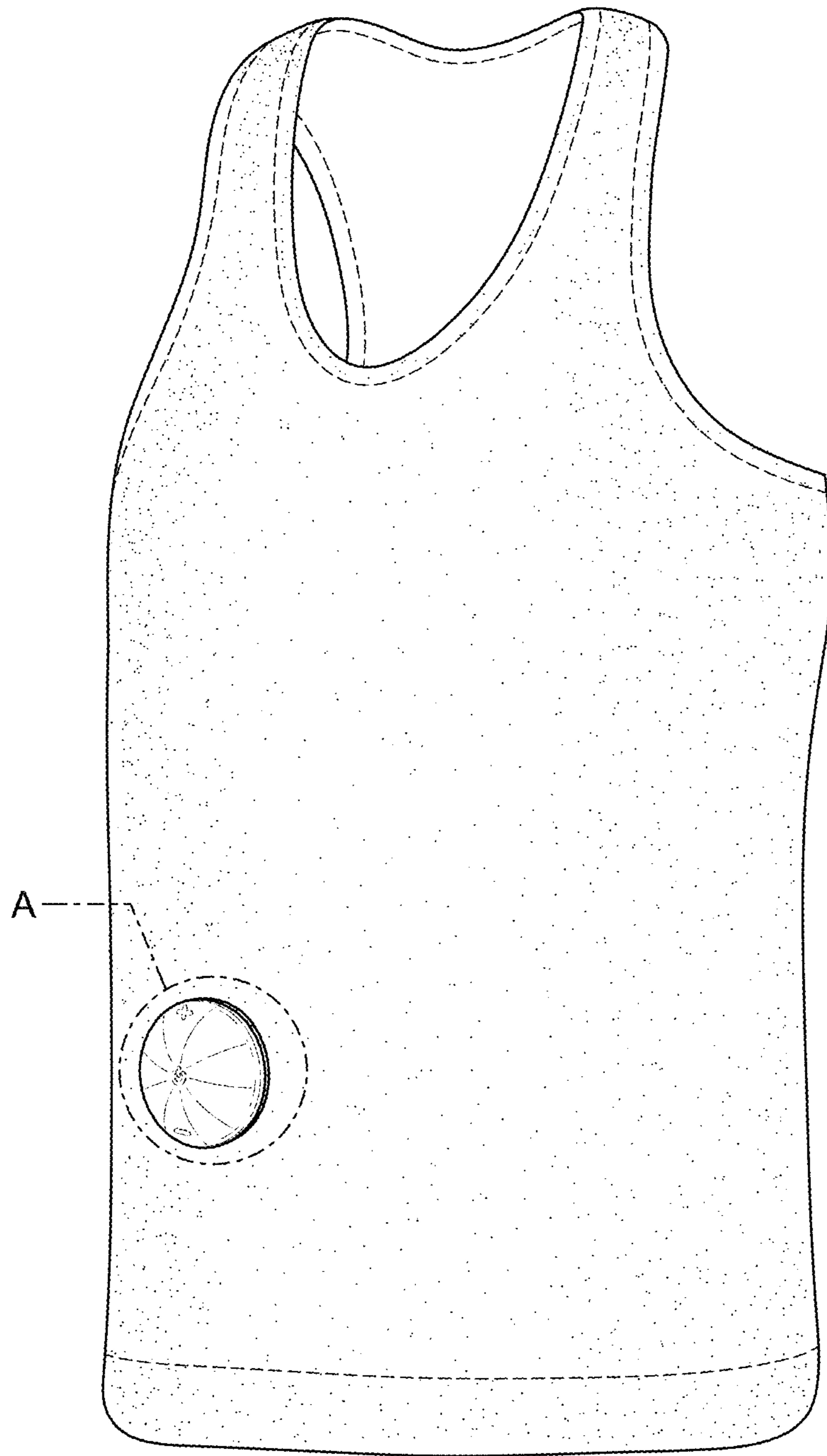


FIG. 1

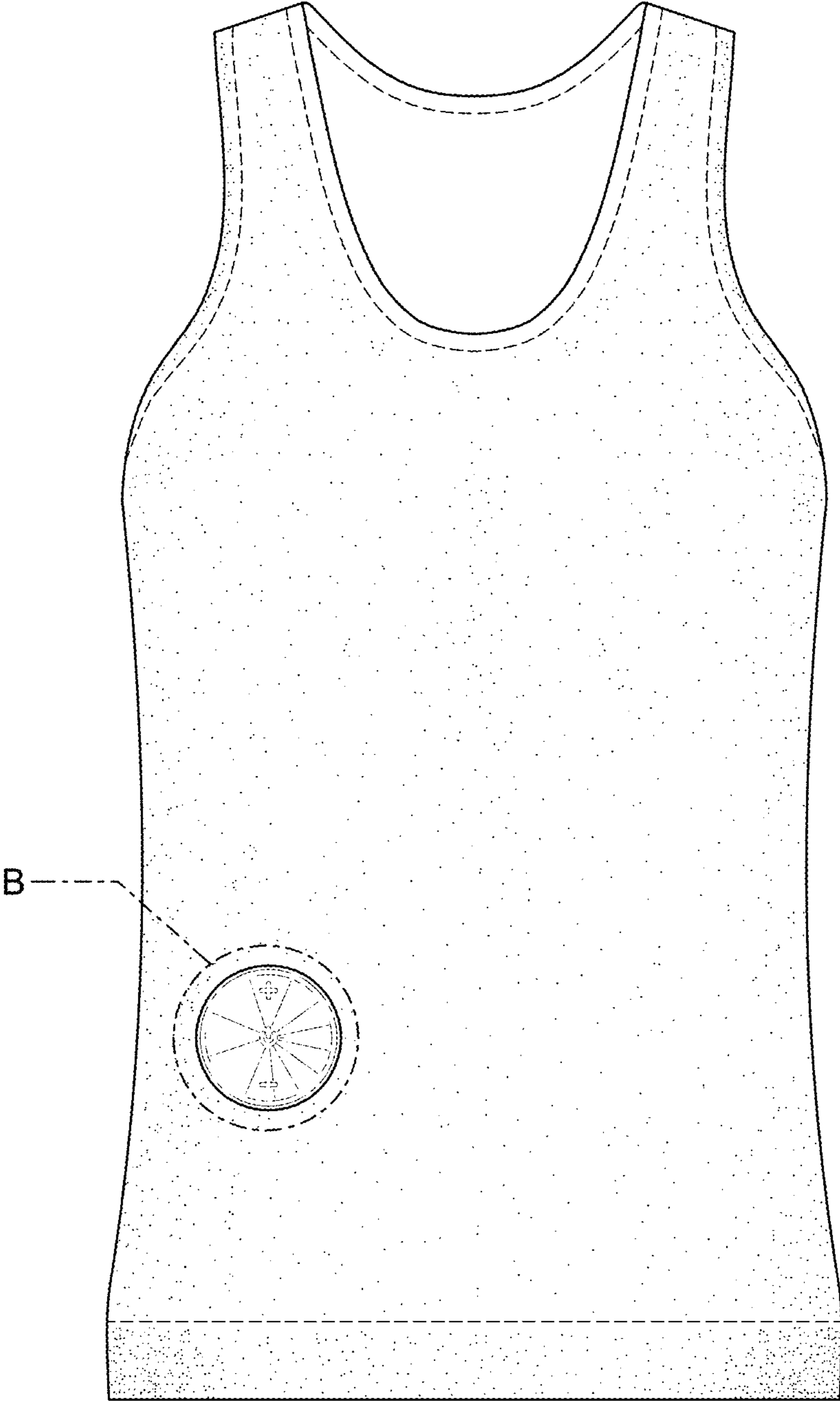


FIG. 2

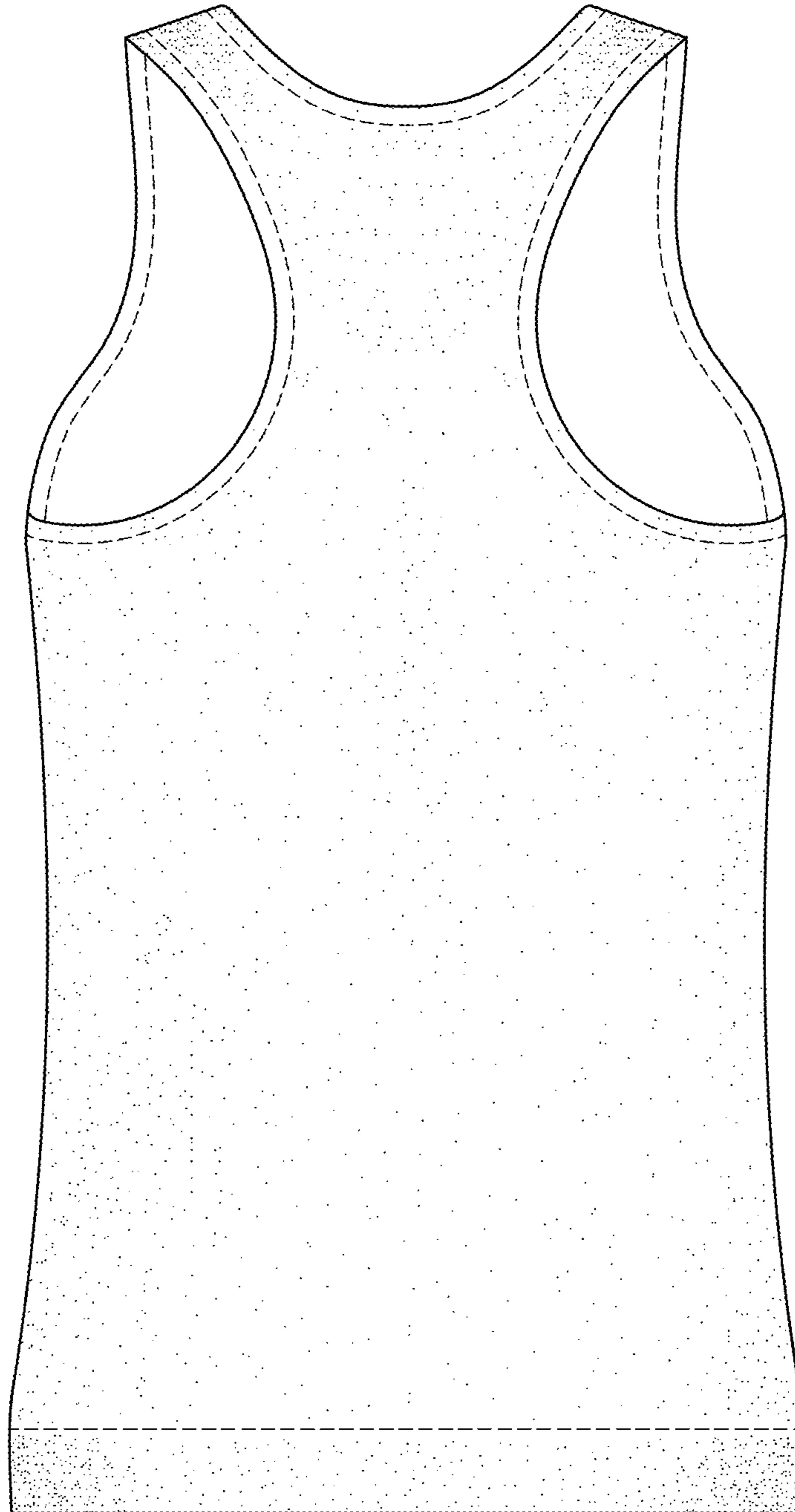


FIG. 3

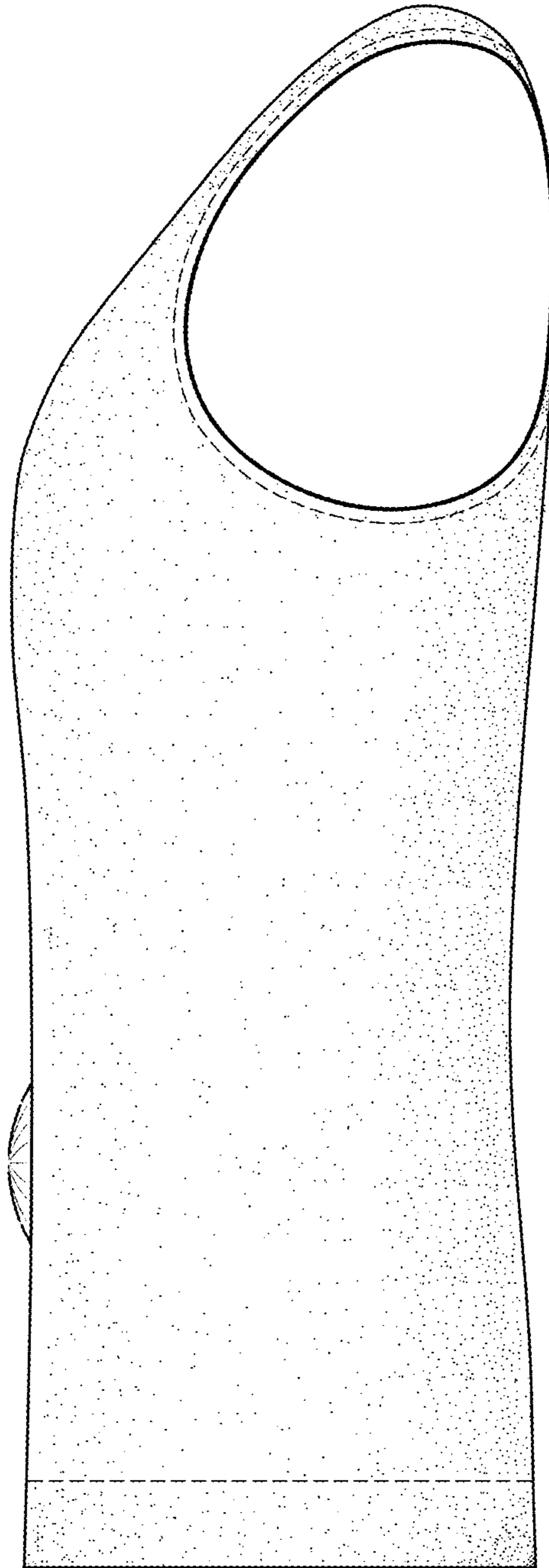


FIG. 4

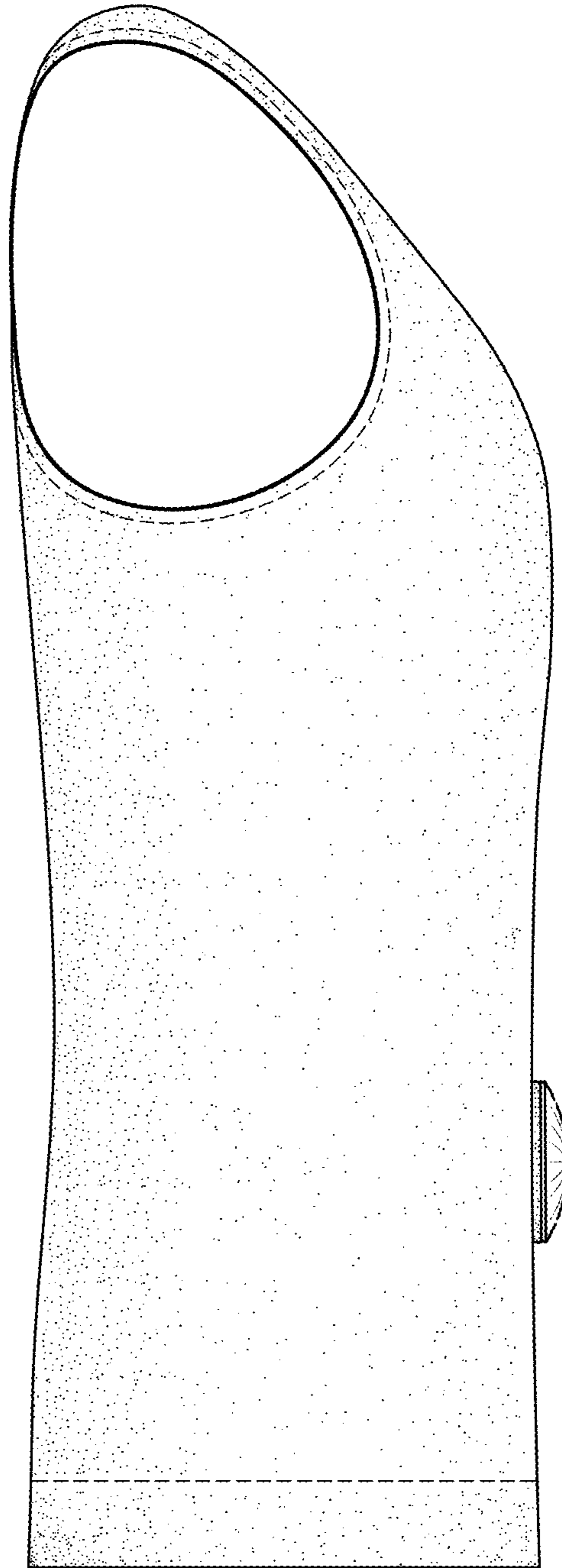


FIG. 5

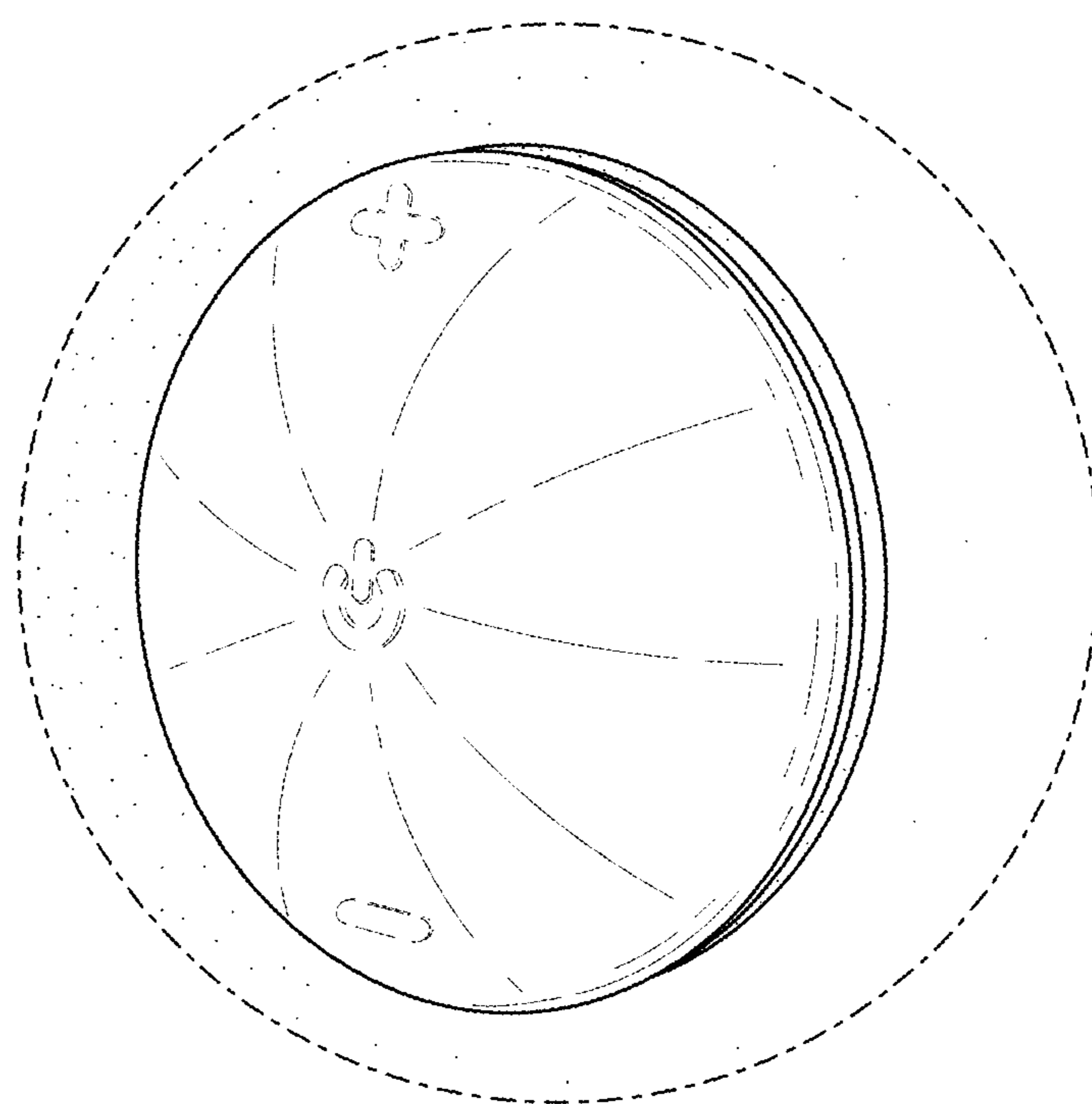


FIG. 6

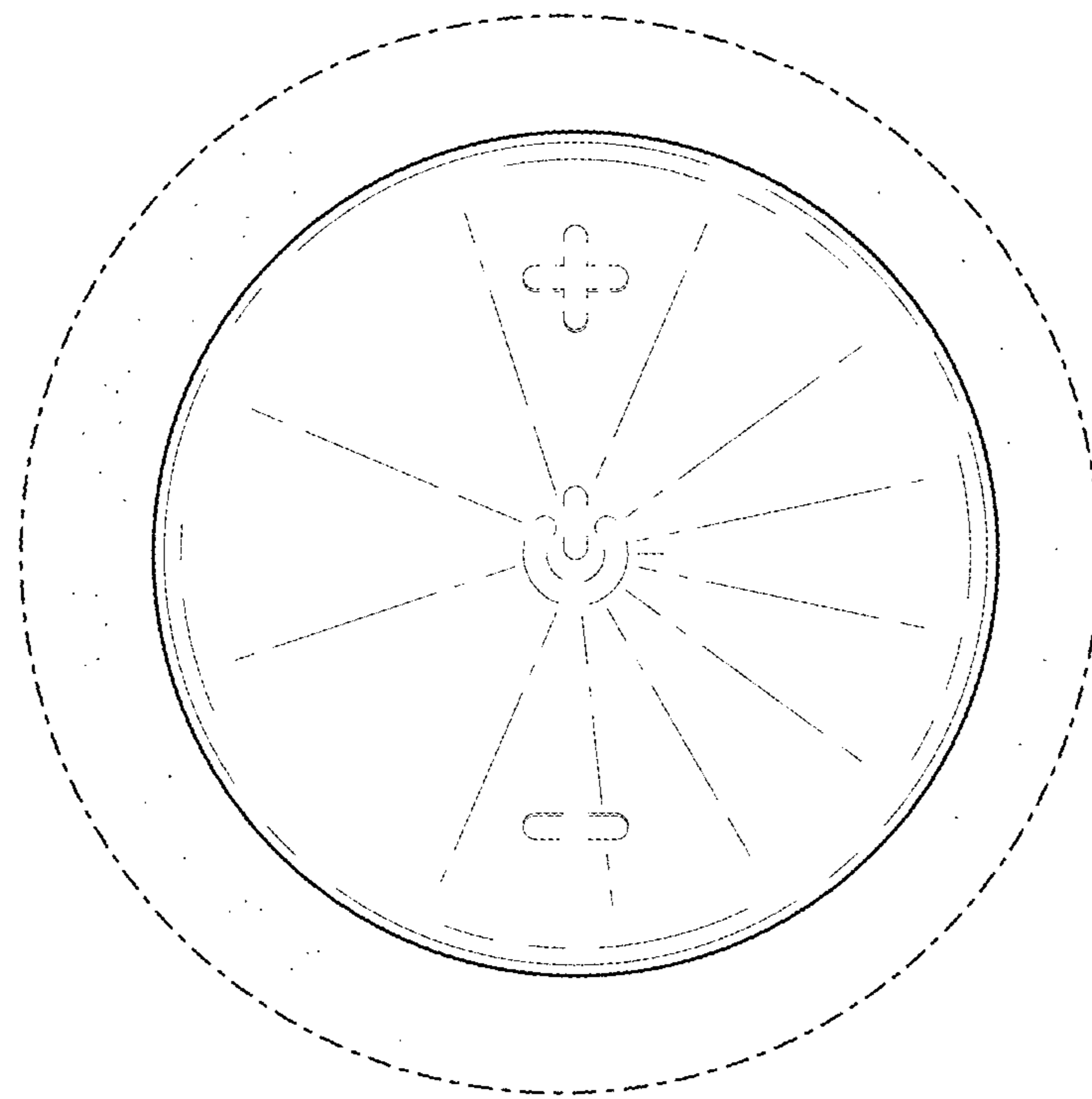


FIG. 7

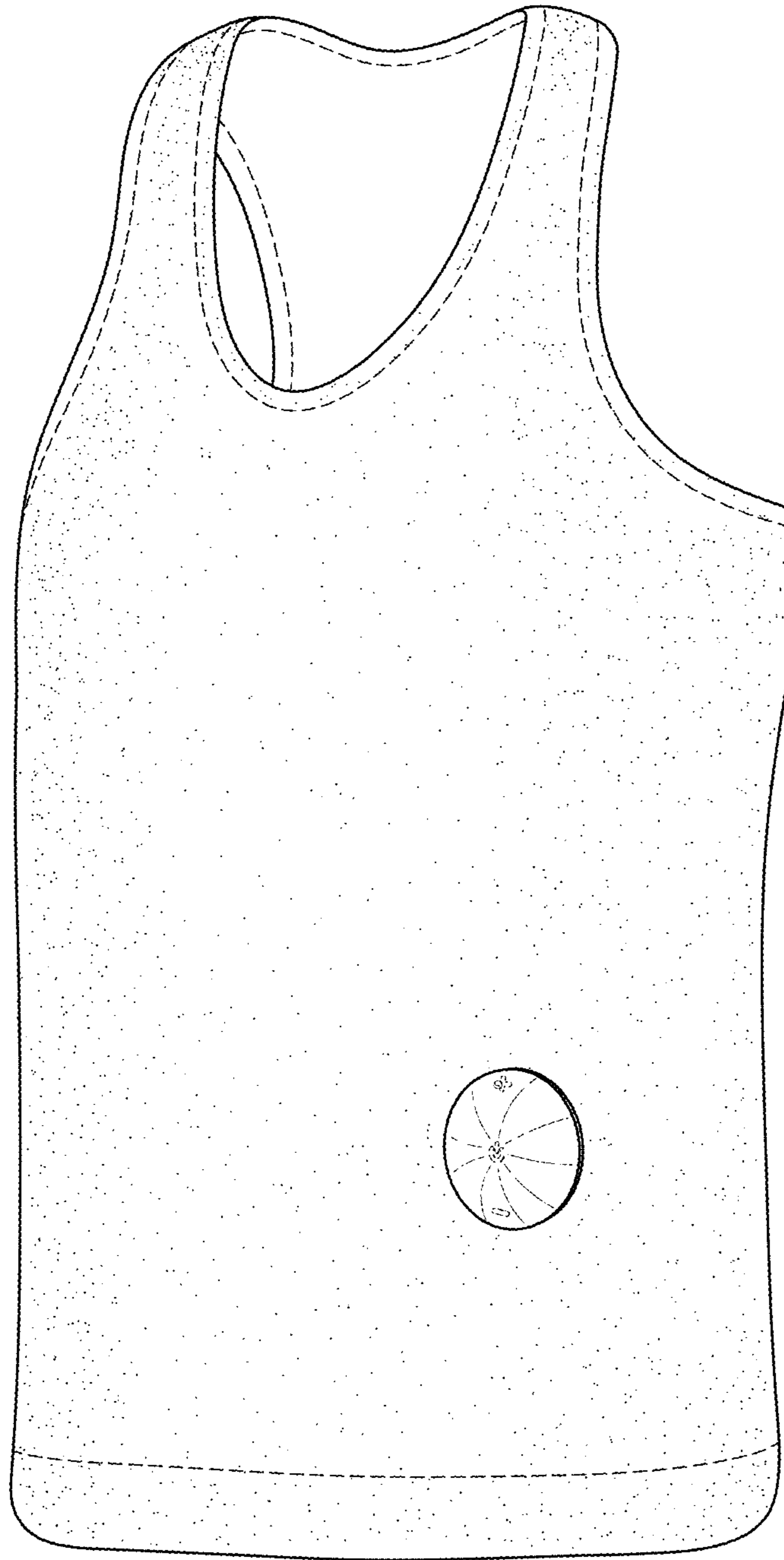


FIG. 8

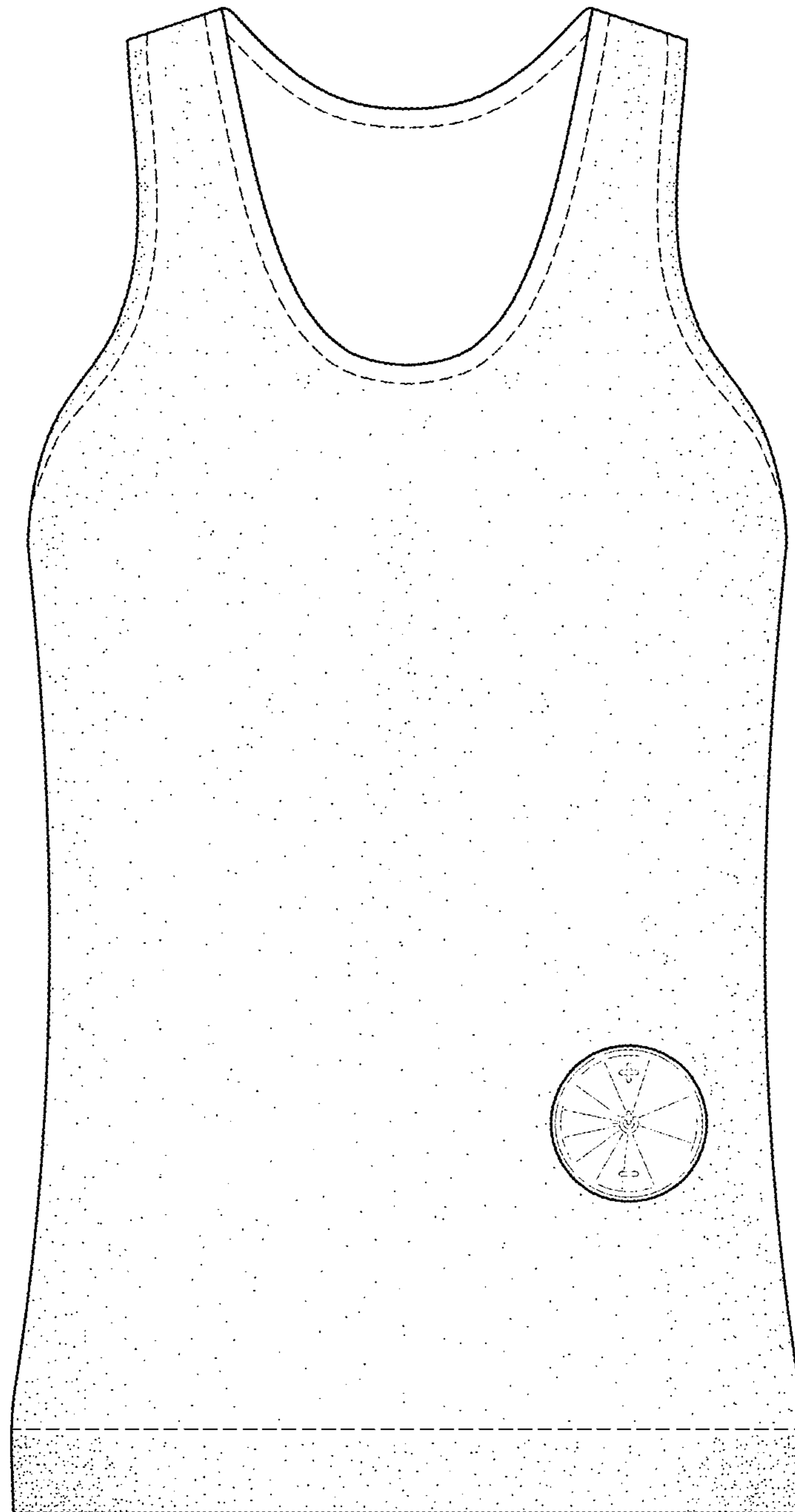


FIG. 9

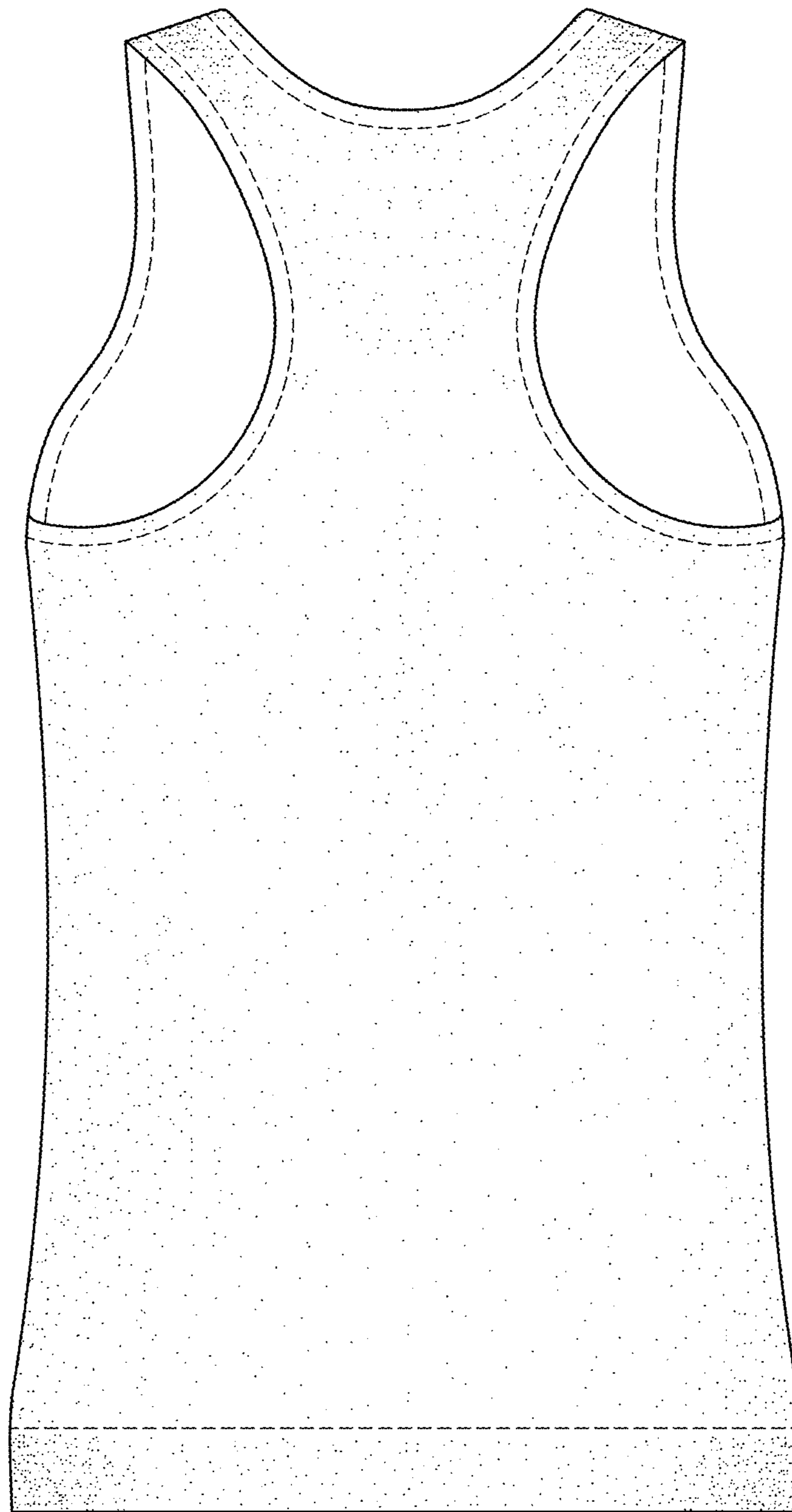


FIG. 10

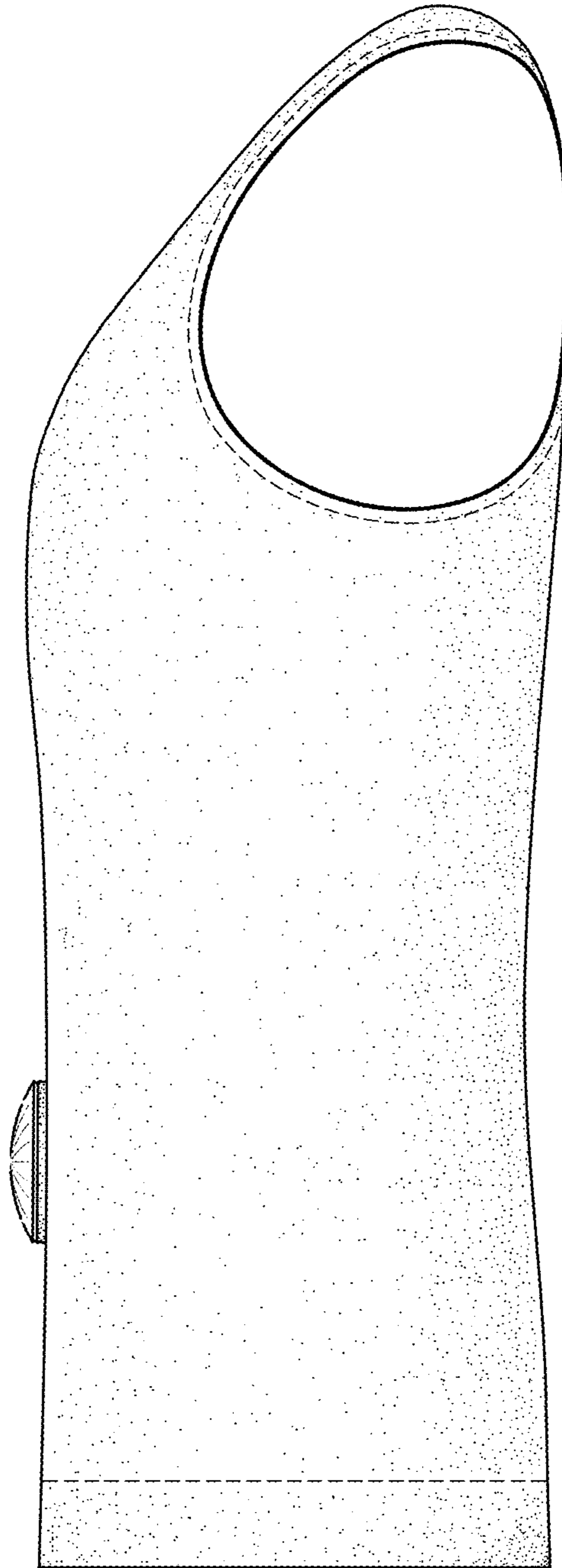


FIG. 11

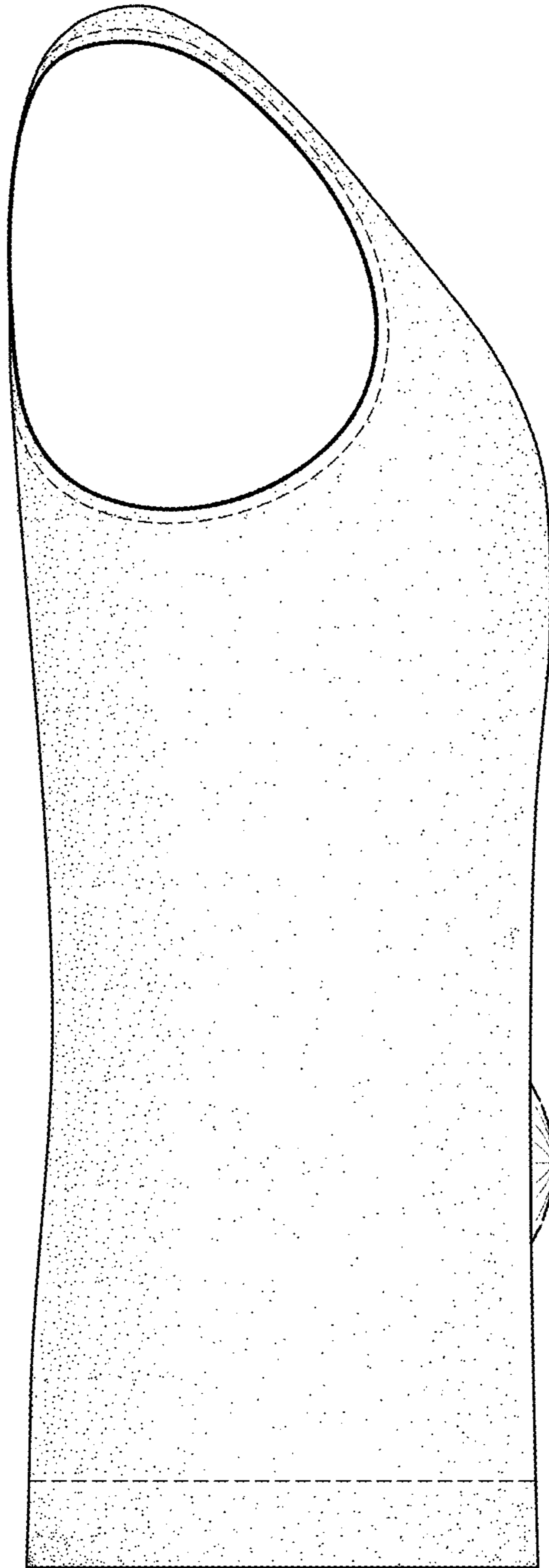


FIG. 12