



US00D959786S

(12) **United States Design Patent** (10) **Patent No.:** **US D959,786 S**
Johnson et al. (45) **Date of Patent:** **** Aug. 9, 2022**

(54) **GUMMY**
(71) Applicant: **Nicole Johnson**, Oakland Park, FL (US)
(72) Inventors: **Nicole Johnson**, Fort Lauderdale, FL (US); **Ruben Ferreira**, Weston, FL (US); **Alexis Enrique Novoa**, Fort Lauderdale, FL (US)
(**) Term: **15 Years**
(21) Appl. No.: **29/798,403**
(22) Filed: **Jul. 7, 2021**
(51) **LOC (13) Cl.** **01-01**
(52) **U.S. Cl.**
USPC **D1/109; D1/127**
(58) **Field of Classification Search**
USPC D1/100–130, 199; 426/92, 94, 104, 134, 426/138, 143, 275, 277, 279, 281–284, 426/292, 295, 391, 496, 514, 566, 572, 426/660; D21/577, 604, 605; D9/608; D24/102; D7/676; D11/31, 49, 82; D6/598; 446/369
CPC A23G 3/54; A61K 9/2072; A61K 9/0004; A61K 9/2095; A61K 9/209
See application file for complete search history.

6,197,334 B1 3/2001 Renda
D496,454 S 9/2004 Beck et al.
D563,626 S 3/2008 Edwards et al.
D564,177 S 3/2008 Edwards et al.
D589,681 S * 4/2009 Knab D2/869
D598,633 S 8/2009 Damron et al.
D601,690 S 10/2009 Hodges
D694,988 S 12/2013 Couttenye et al.
D695,988 S 12/2013 Trammell et al.
D728,192 S 5/2015 Neely
D771,814 S * 11/2016 Farzin D24/147
D785,779 S 5/2017 Paris et al.
D839,531 S * 2/2019 Güven D1/109
D839,532 S 2/2019 Güven et al.
D851,624 S * 6/2019 Huang D14/205
D868,232 S 11/2019 Tanner
D888,581 S * 6/2020 Cheung D10/7
D916,923 S * 4/2021 Korsgren D14/494

(Continued)

FOREIGN PATENT DOCUMENTS

CA 161816 S 11/2015
CH DM066200 12/2004

Primary Examiner — Katie Jane Stofko
(74) *Attorney, Agent, or Firm* — The Keys Law Firm PLLC

(57) **CLAIM**

The ornamental design for a gummy, as shown and described.

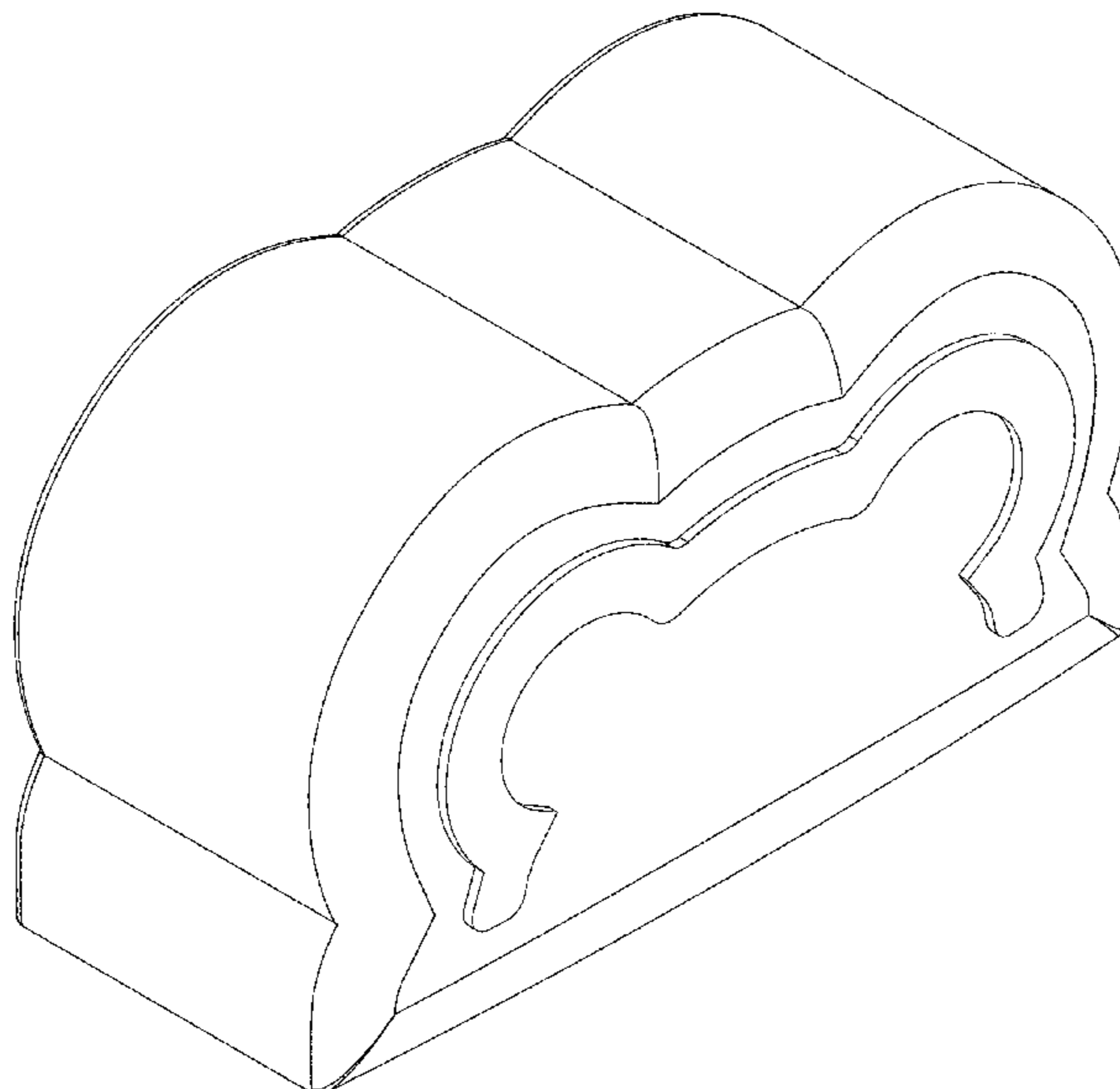
DESCRIPTION

FIG. 1 is a front elevational view of a gummy, showing our new design;
FIG. 2 is a rear elevational view thereof;
FIG. 3 is a left side elevational view thereof;
FIG. 4 is a right side elevational view thereof;
FIG. 5 is a top plan view thereof;
FIG. 6 is a bottom plan view thereof; and,
FIG. 7 is a front, top and left perspective view thereof.

1 Claim, 7 Drawing Sheets

(56) **References Cited**
U.S. PATENT DOCUMENTS

D210,367 S 3/1968 Kroninger
D210,369 S 3/1968 Kroninger
D227,666 S 7/1973 Modelevsky
D272,930 S * 3/1984 Anderson D21/531
D327,358 S 6/1992 Davis
5,386,909 A 2/1995 Spector
D356,509 S * 3/1995 Ping D10/23
D429,329 S 8/2000 Kobayashi
D430,662 S 9/2000 Kobayashi
D432,229 S 10/2000 Harris et al.



(56)

References Cited

U.S. PATENT DOCUMENTS

D926,157 S *	7/2021	Bae	D14/207
D926,981 S *	8/2021	Farzin	D24/147
D932,040 S *	9/2021	Sedic	D24/215
D932,041 S *	9/2021	Sedic	D24/215
D944,038 S *	2/2022	Oxnard	D6/603

* cited by examiner

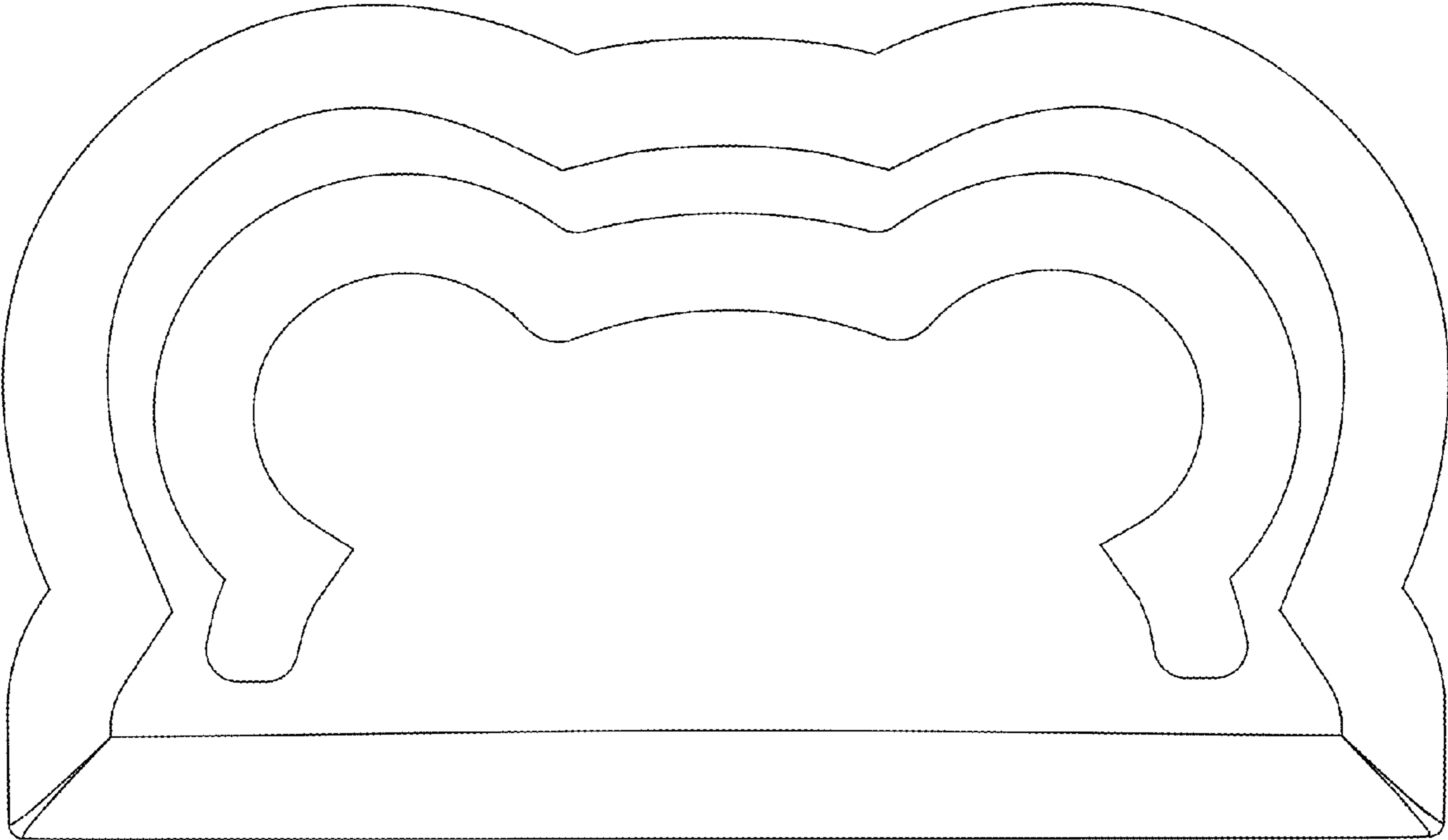


FIG. 1

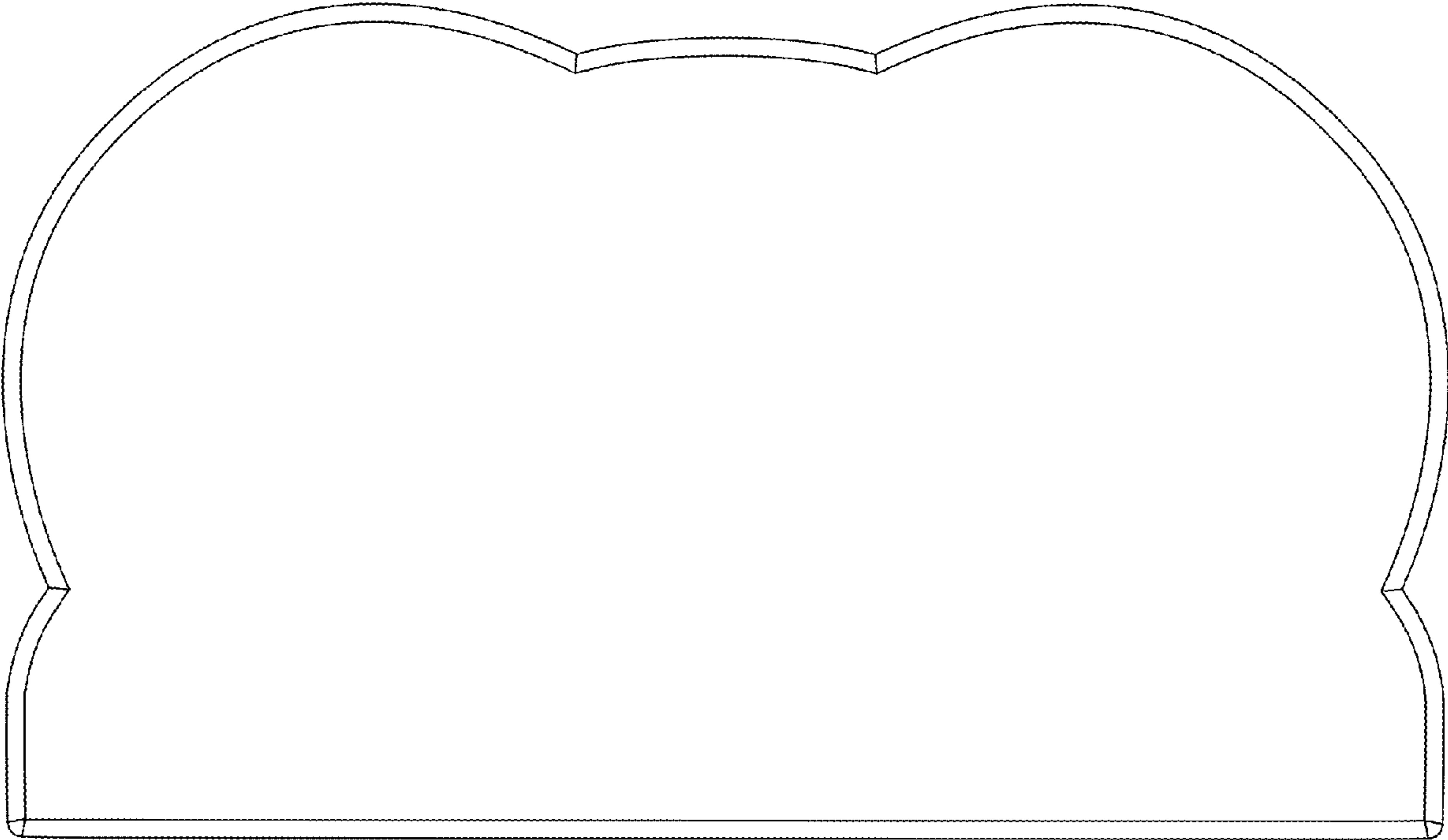


FIG. 2

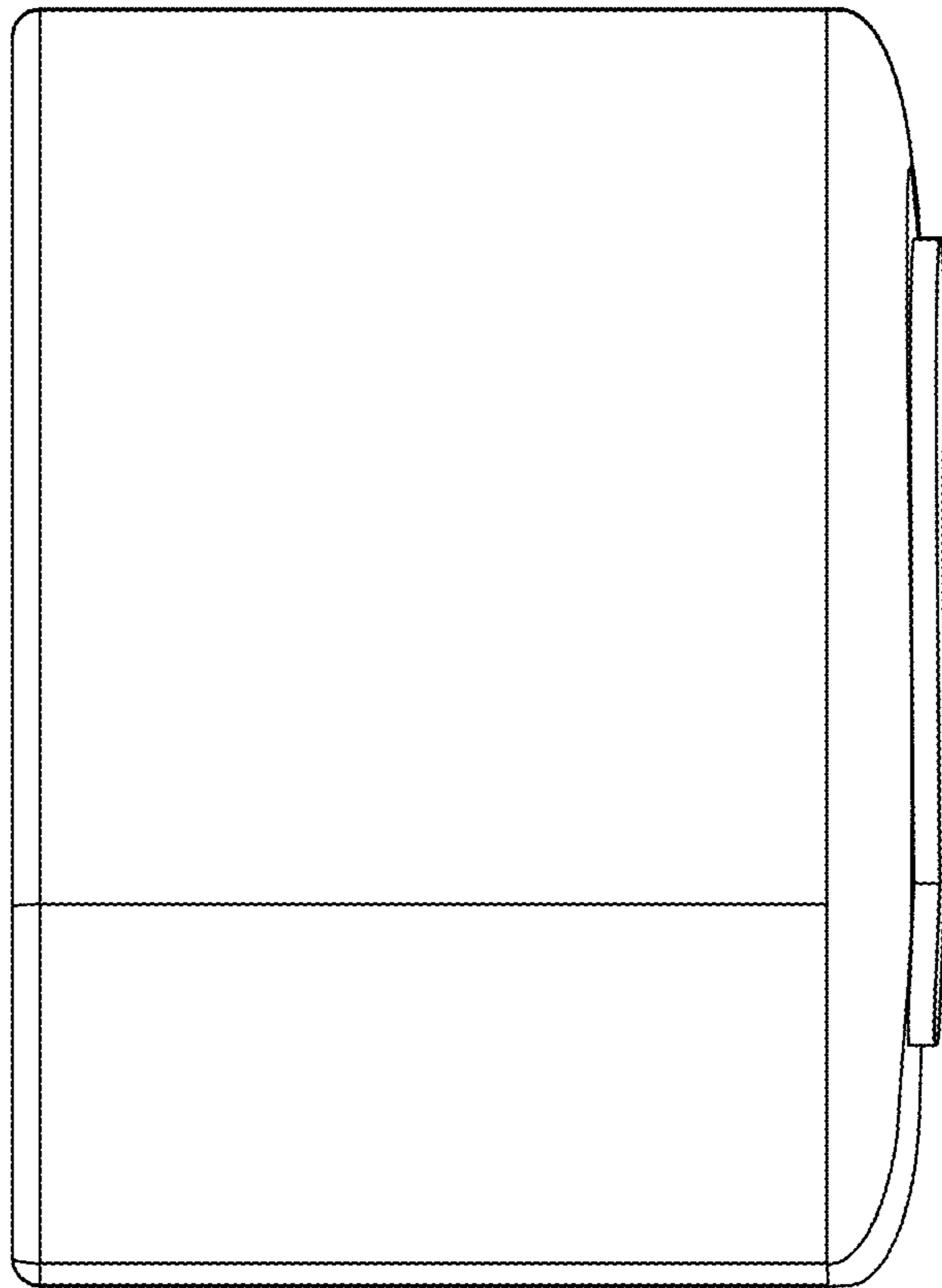


FIG. 3

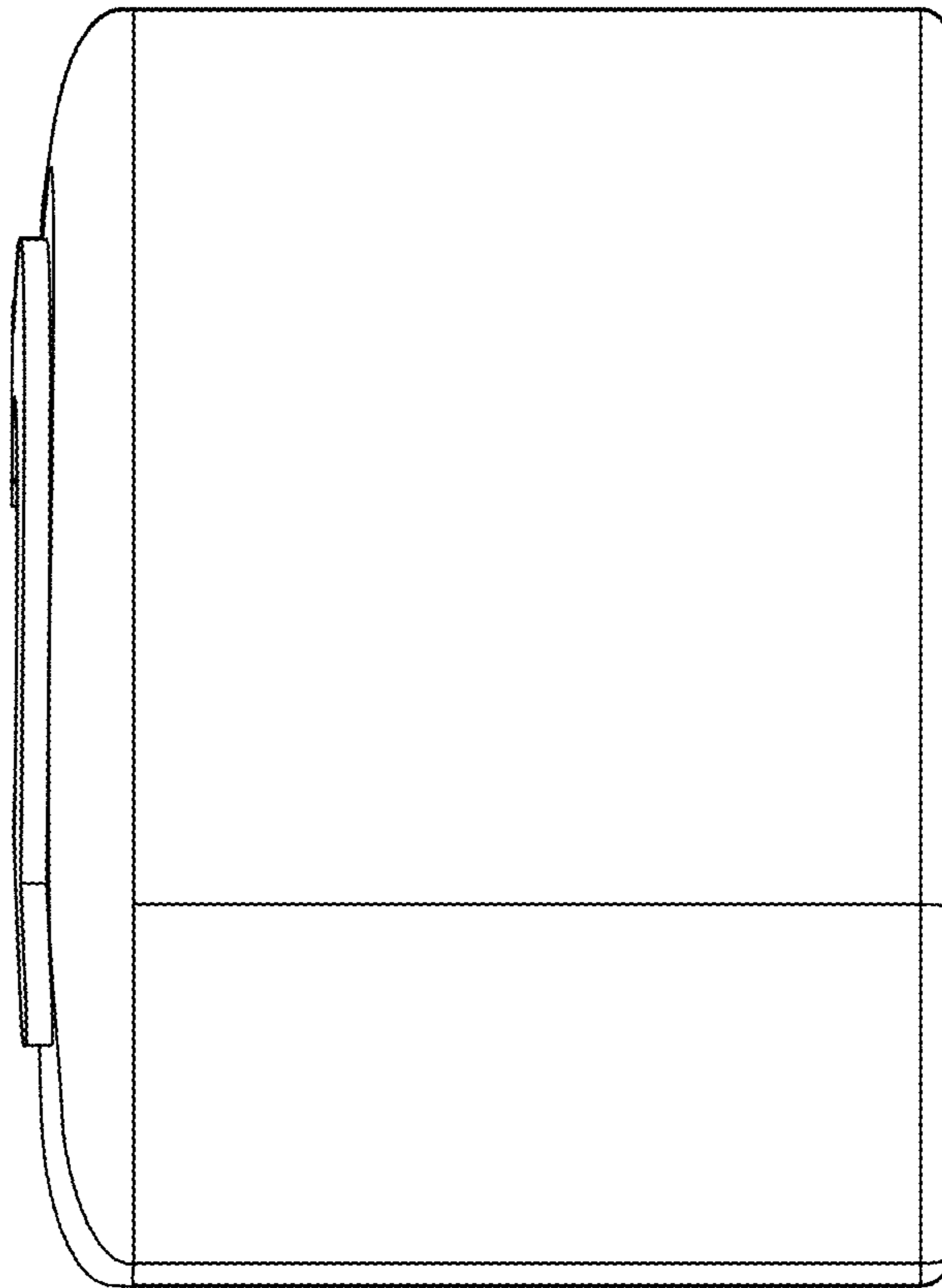


FIG. 4

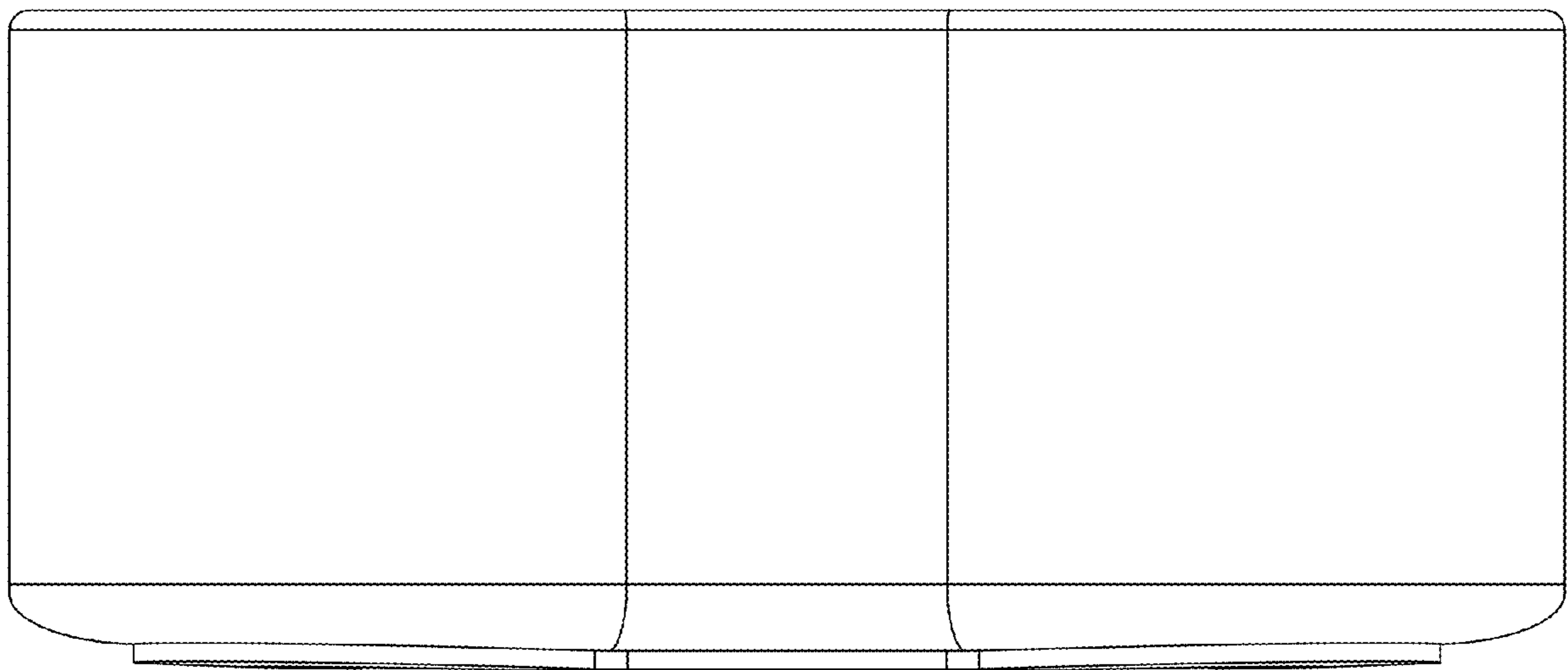


FIG. 5

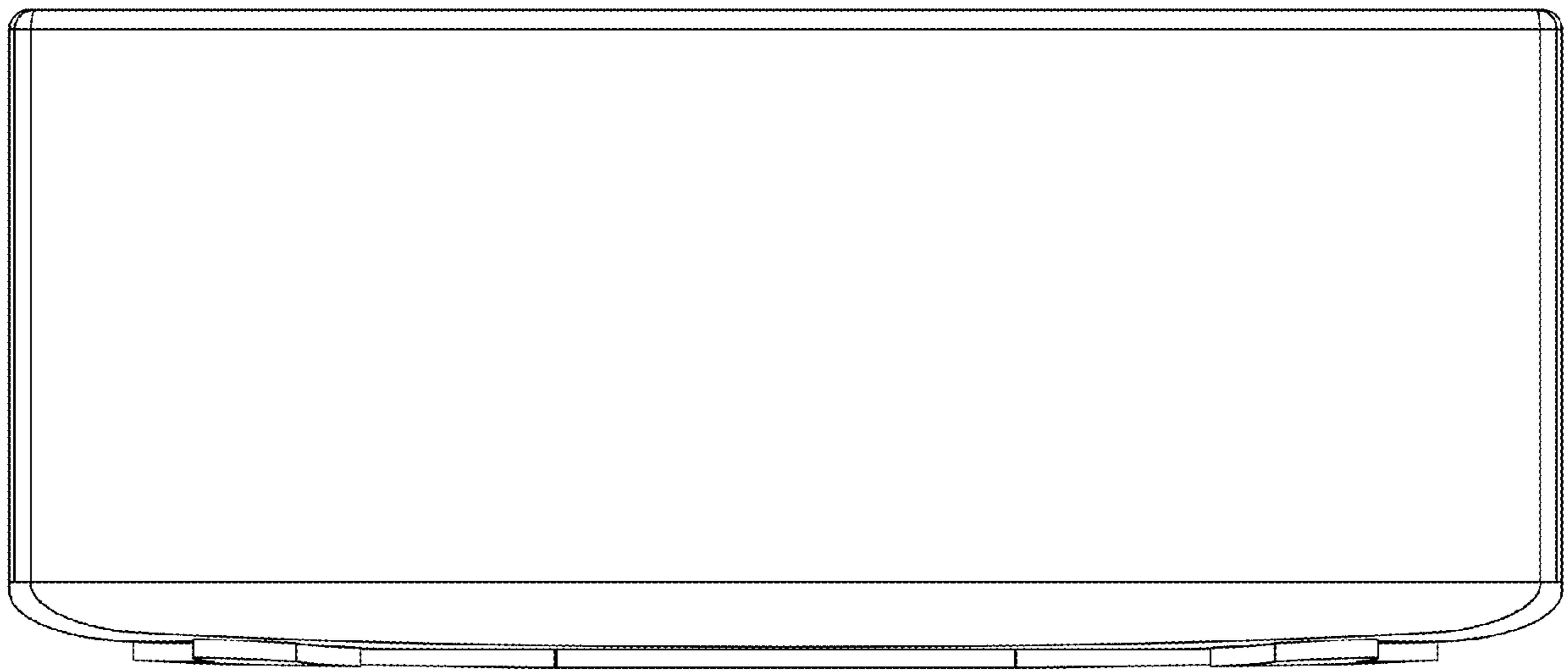


FIG. 6

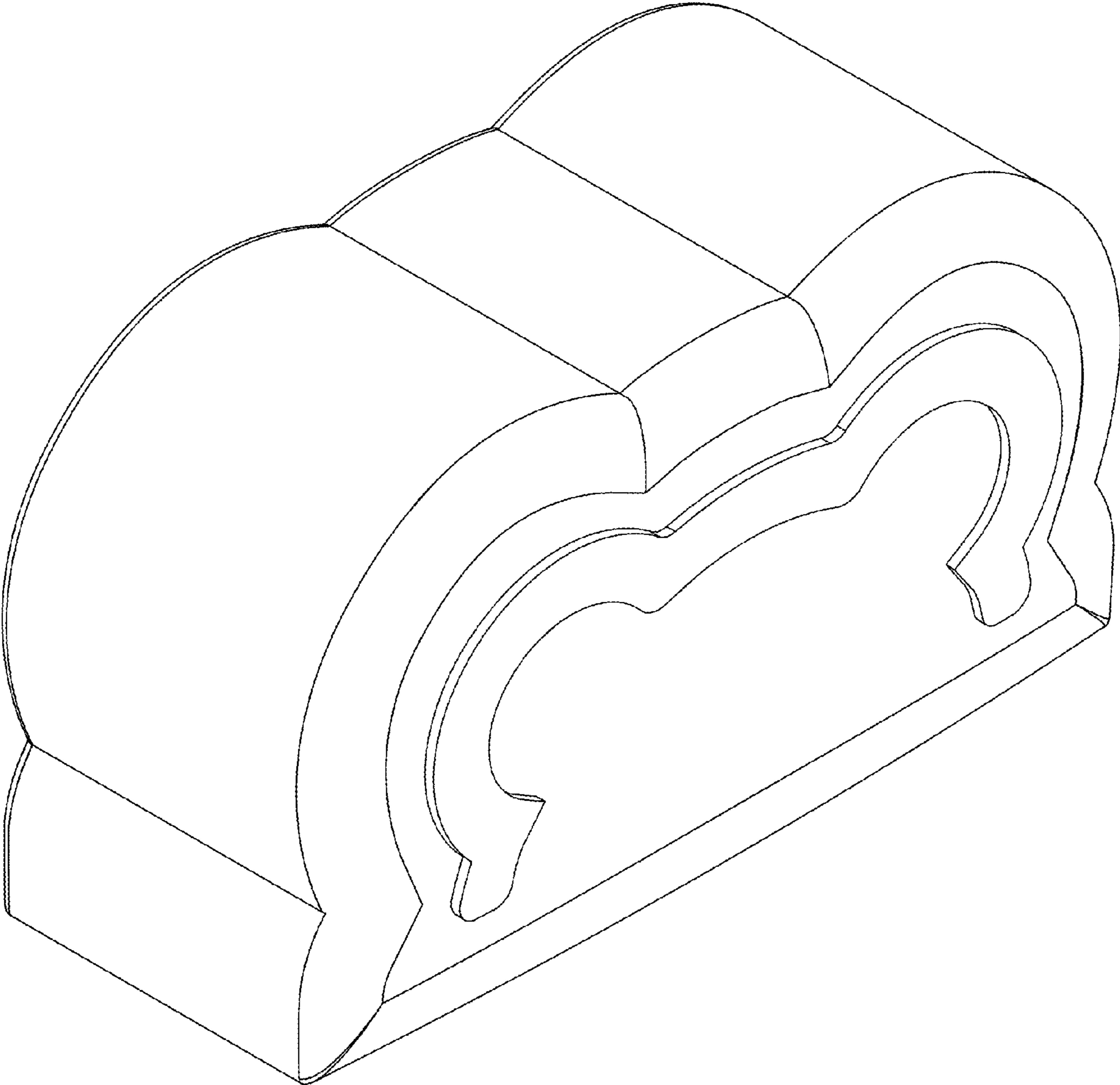


FIG. 7