



US00D959777S

(12) **United States Design Patent** (10) **Patent No.:** **US D959,777 S**
Tang (45) **Date of Patent:** **** Aug. 2, 2022**

(54) **MOP**
(71) Applicant: **Putian Moshang Xinwei Trading Co., Ltd., Fujian (CN)**
(72) Inventor: **Rentao Tang, Fujian (CN)**
(73) Assignee: **Putian Moshang Xinwei Trading Co., Ltd., Fujian (CN)**
(**) Term: **15 Years**
(21) Appl. No.: **29/809,318**
(22) Filed: **Sep. 27, 2021**
(51) **LOC (13) Cl.** **07-05**
(52) **U.S. Cl.**
USPC **D32/45**
(58) **Field of Classification Search**
USPC D32/15-16, 31-32, 45, 50-52
CPC A47L 11/16; A47L 11/10; A47L 11/4038;
A47L 11/4072
See application file for complete search history.

D685,557 S * 7/2013 Rosenzweig D32/45
D703,407 S * 4/2014 Xiong D32/45
D707,002 S * 6/2014 Hughes D32/45
D742,609 S * 11/2015 Irwin D32/50
D747,054 S * 1/2016 Seifts D32/45
D765,330 S * 8/2016 Lentine D32/45
D806,338 S * 12/2017 Metzel D32/45

(Continued)

FOREIGN PATENT DOCUMENTS

SG 2004378 C * 3/2019

Primary Examiner — John R Yeh

(74) *Attorney, Agent, or Firm* — ScienBiziP, P.C.

(57) **CLAIM**

The ornamental design for a mop, as shown and described.

DESCRIPTION

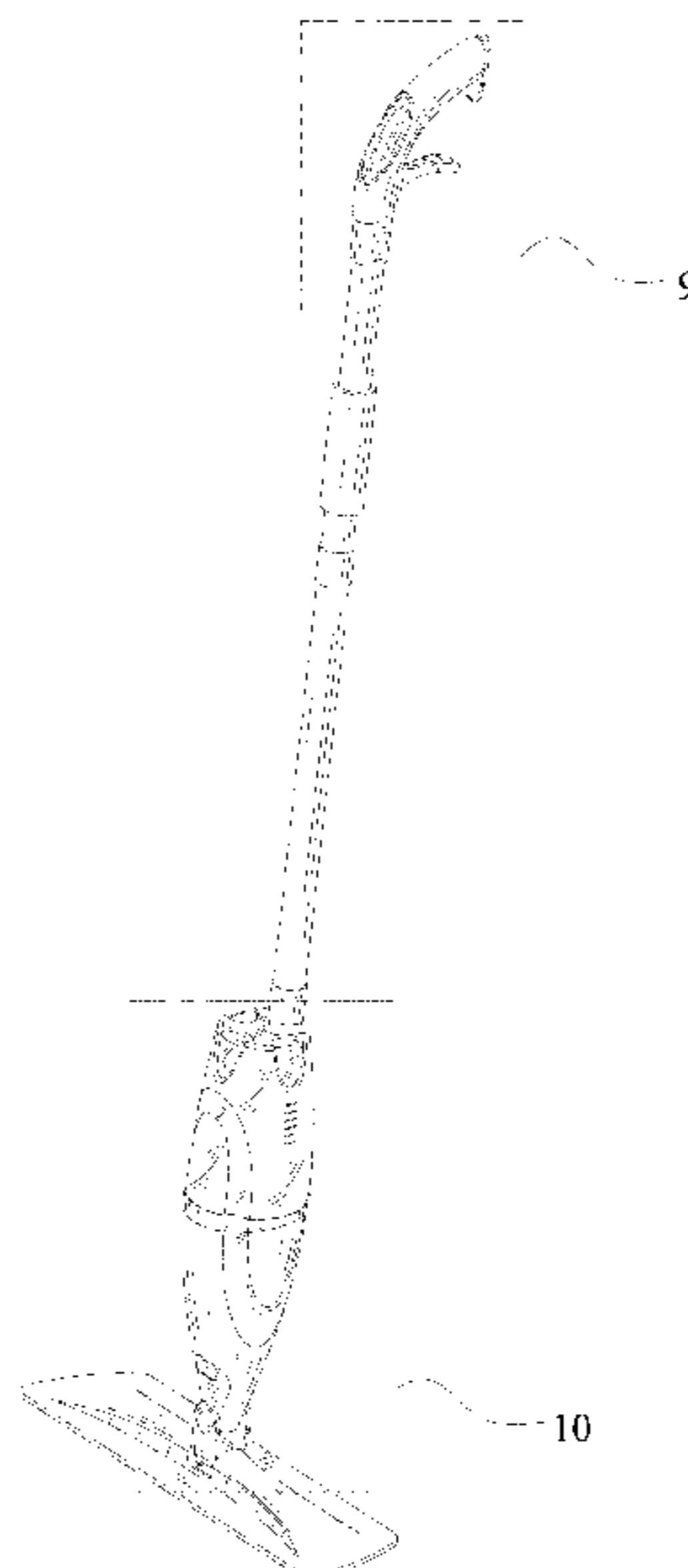
FIG. 1 is a front, right and top perspective view of a mop, showing my design.
FIG. 2 is a rear, left and bottom perspective view thereof.
FIG. 3 is a front elevation view thereof.
FIG. 4 is a rear elevation view thereof.
FIG. 5 is a left side elevation view thereof.
FIG. 6 is a right side elevation view thereof.
FIG. 7 is a top plan view thereof.
FIG. 8 is a bottom plan view thereof.
FIG. 9 is a partial enlarged view of an area labeled 9 in FIG. 1 comprising a handle.
FIG. 10 is a partial enlarged view of an area labeled 10 in FIG. 1 comprising a front side of a body.
FIG. 11 is a partial enlarged view of an area labeled 11 in FIG. 2 comprising a rear side of a body; and,
FIG. 12 is a partial enlarged view of an area labeled 12 in FIG. 2 comprising a corner of a mop head.
The broken lines shown in the drawings are included for the purpose of illustrating portions of the mop that form no part of the claimed design.

(56) **References Cited**

U.S. PATENT DOCUMENTS

5,888,006 A * 3/1999 Ping B25G 3/38
401/138
6,101,661 A * 8/2000 Policicchio B32B 3/00
15/244.4
D458,427 S * 6/2002 Kunkier D32/45
D486,616 S * 2/2004 Hall D32/45
D505,762 S * 5/2005 Lalanne D32/45
D515,759 S * 2/2006 Fischer D32/45
D548,909 S * 8/2007 Murray D32/45
D566,917 S * 4/2008 Renner D32/50
D583,118 S * 12/2008 Snyder D32/51
D602,218 S * 10/2009 Koenig D32/40
D615,260 S * 5/2010 Koenig D32/45
D657,516 S * 4/2012 McGee D32/45
D657,518 S 4/2012 McGee et al.
D673,337 S * 12/2012 Chow D32/45

1 Claim, 12 Drawing Sheets



(56)

References Cited

U.S. PATENT DOCUMENTS

D810,371 S * 2/2018 Lentine D32/45
D864,512 S * 10/2019 Wu D32/50
D866,108 S 11/2019 Palladino

* cited by examiner

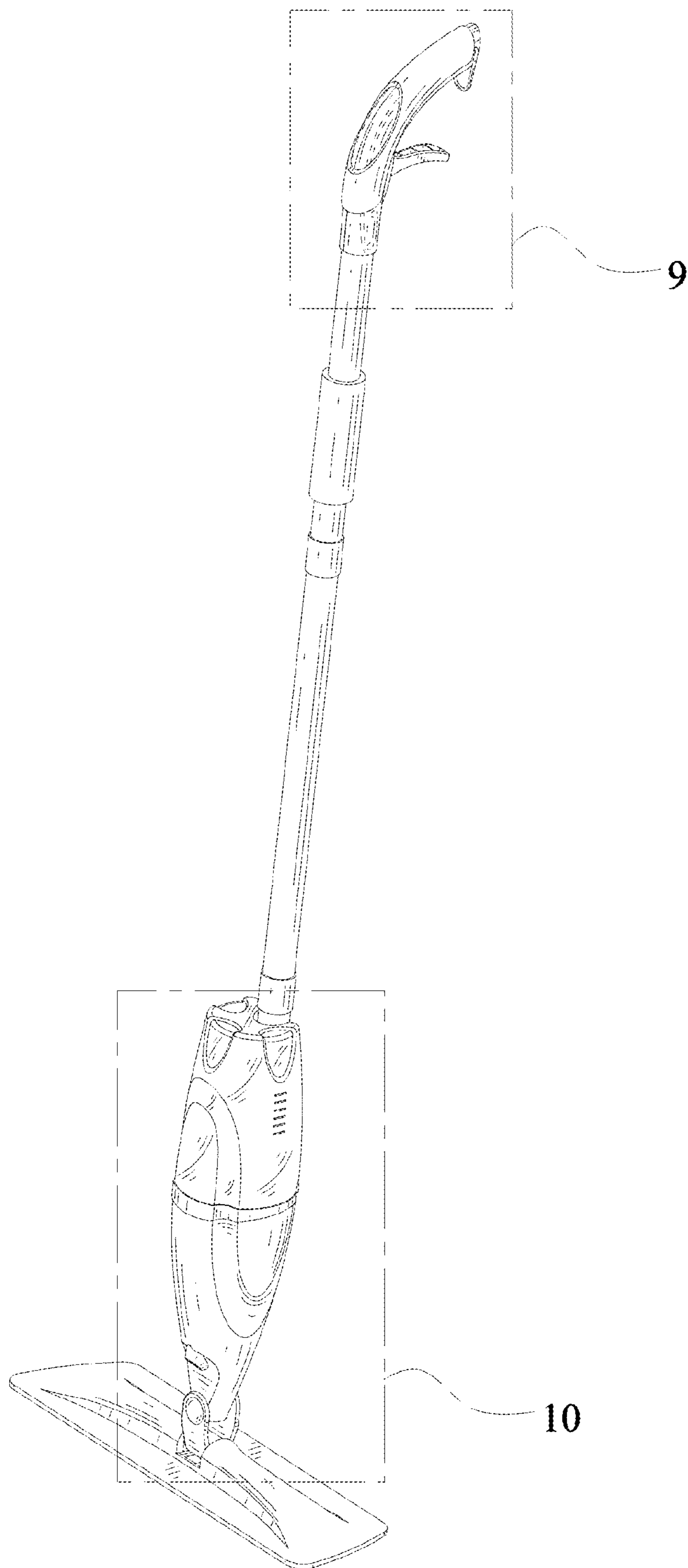


FIG. 1

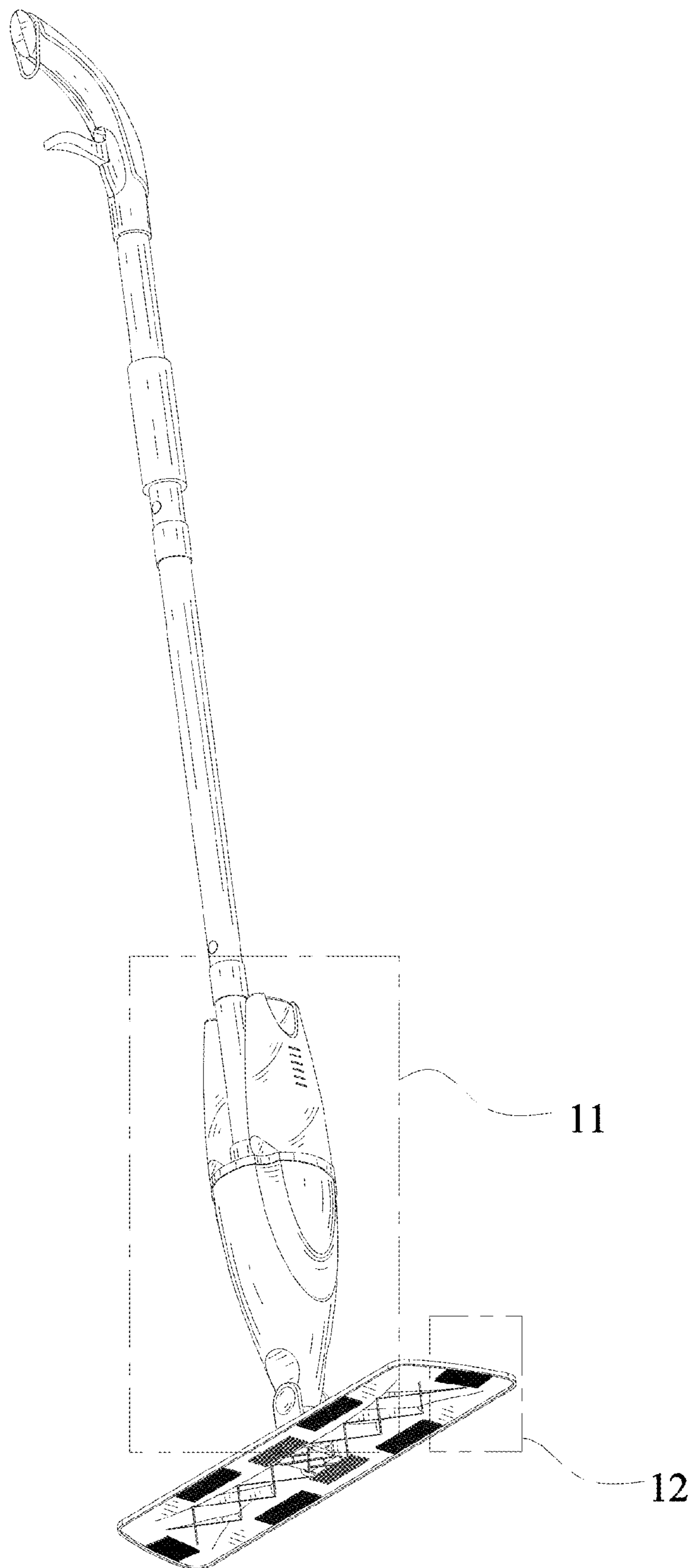


FIG. 2

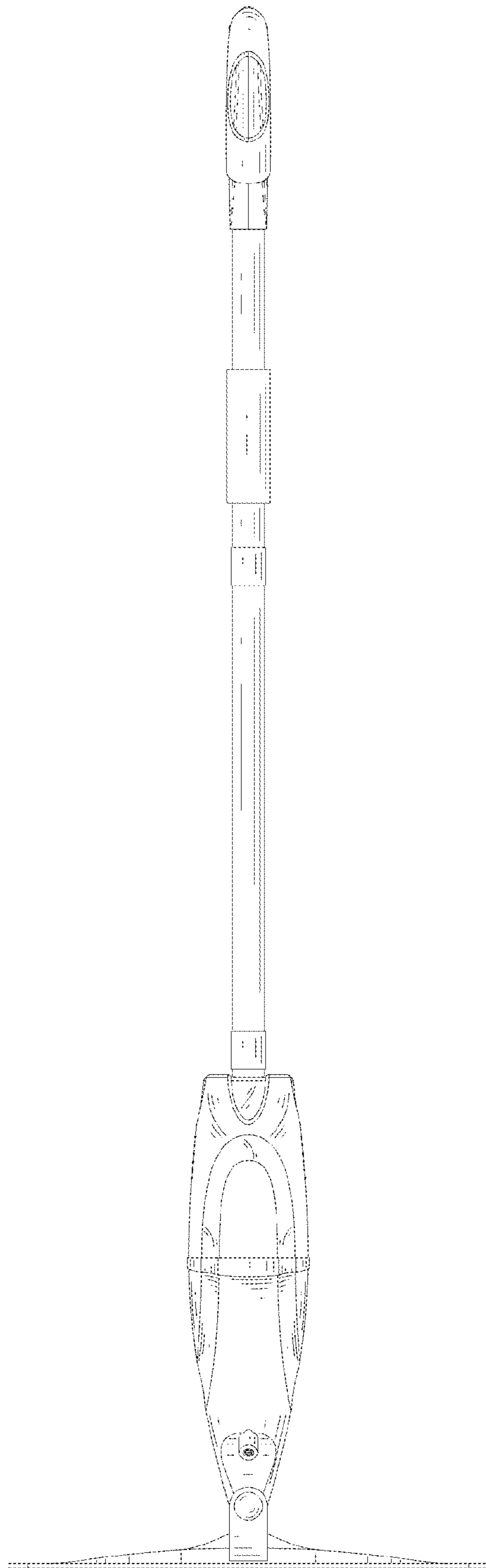


FIG. 3

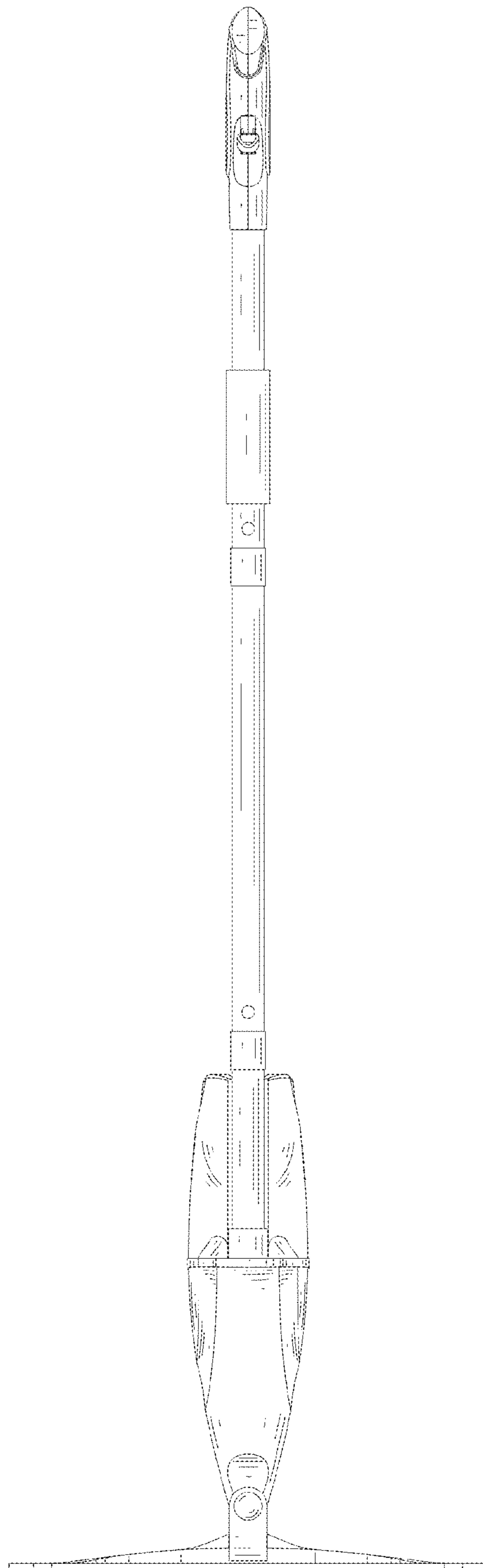


FIG. 4

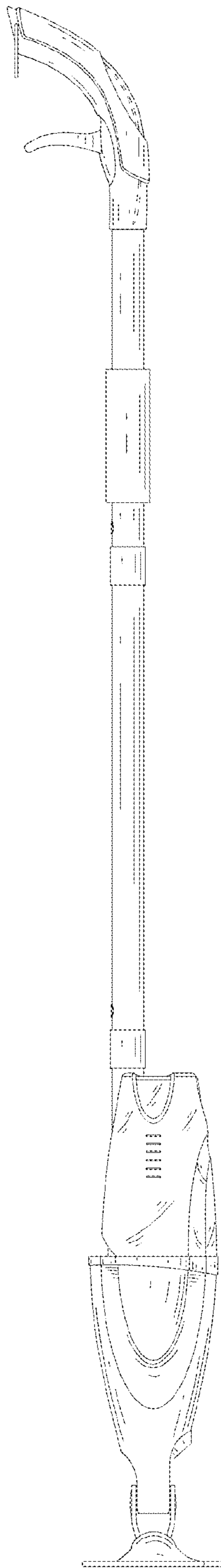


FIG. 5

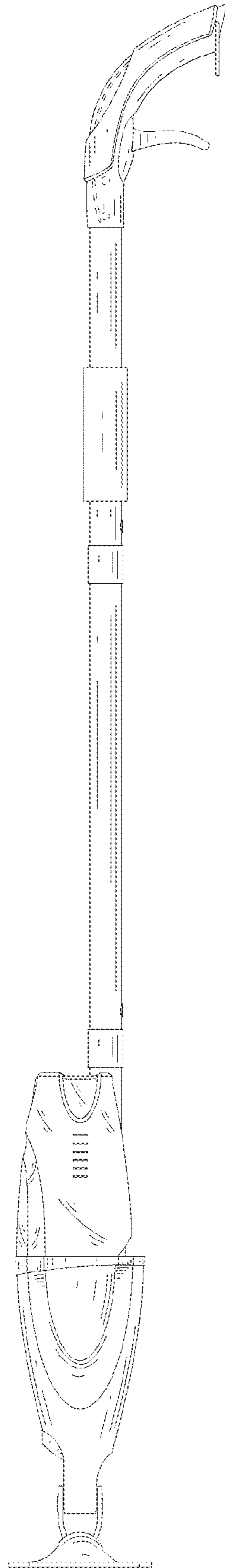


FIG. 6

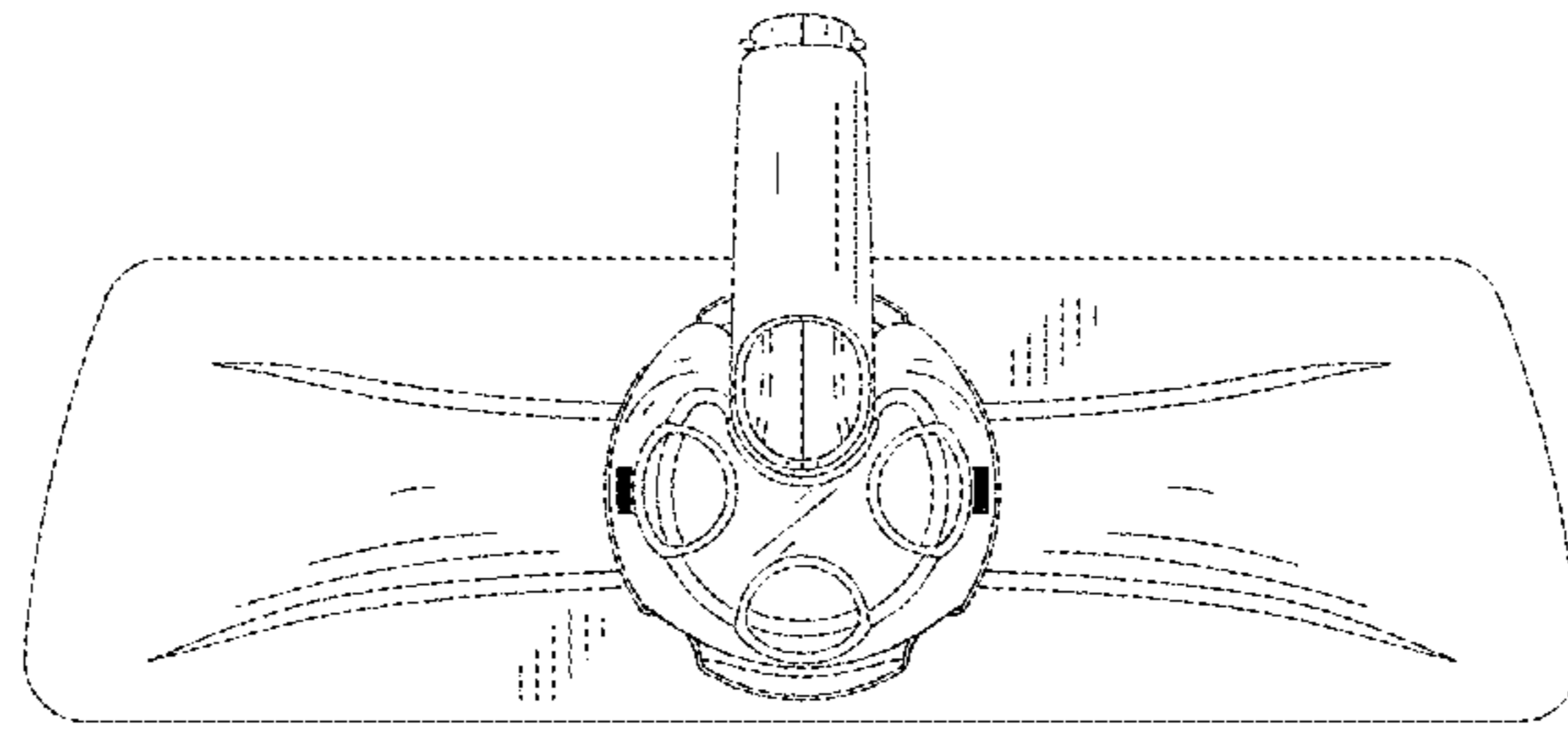


FIG. 7

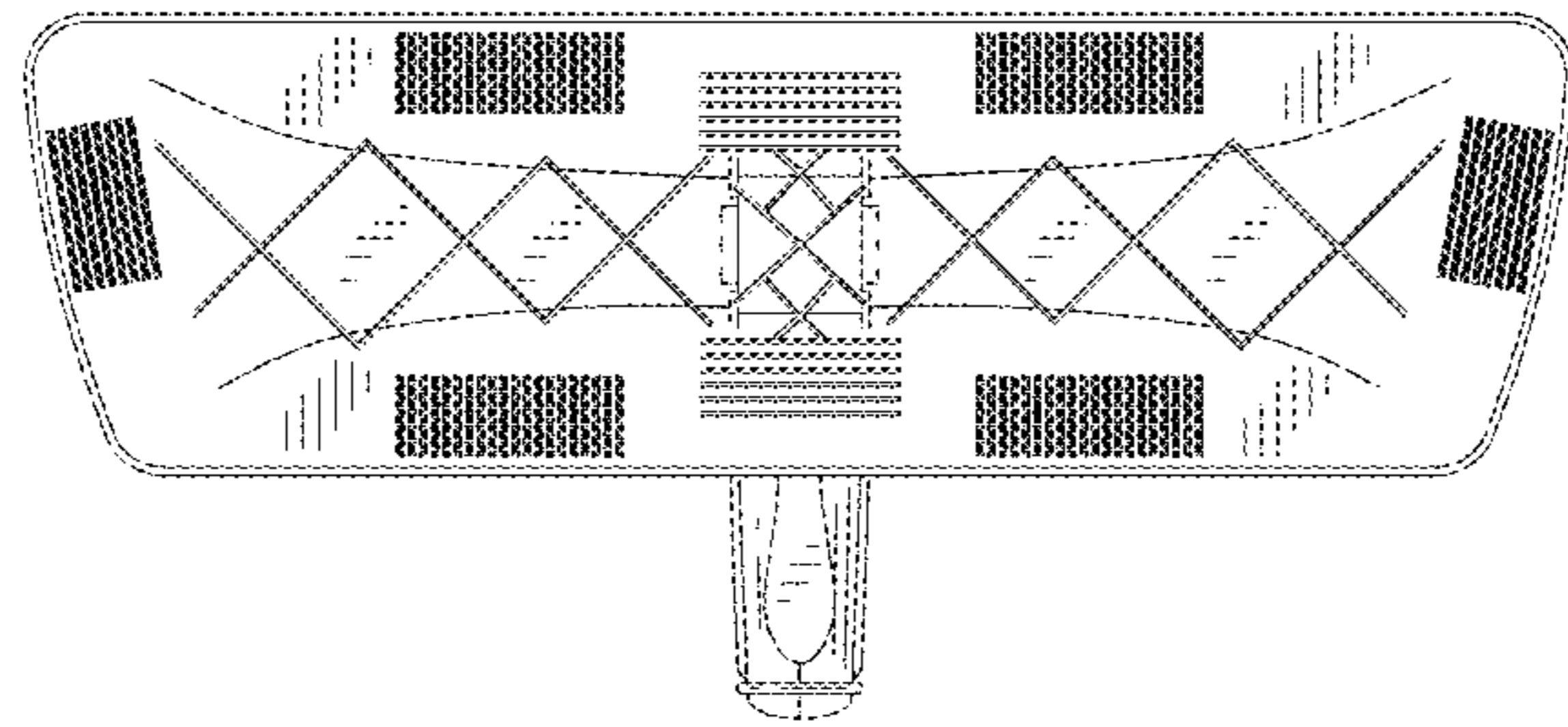


FIG. 8

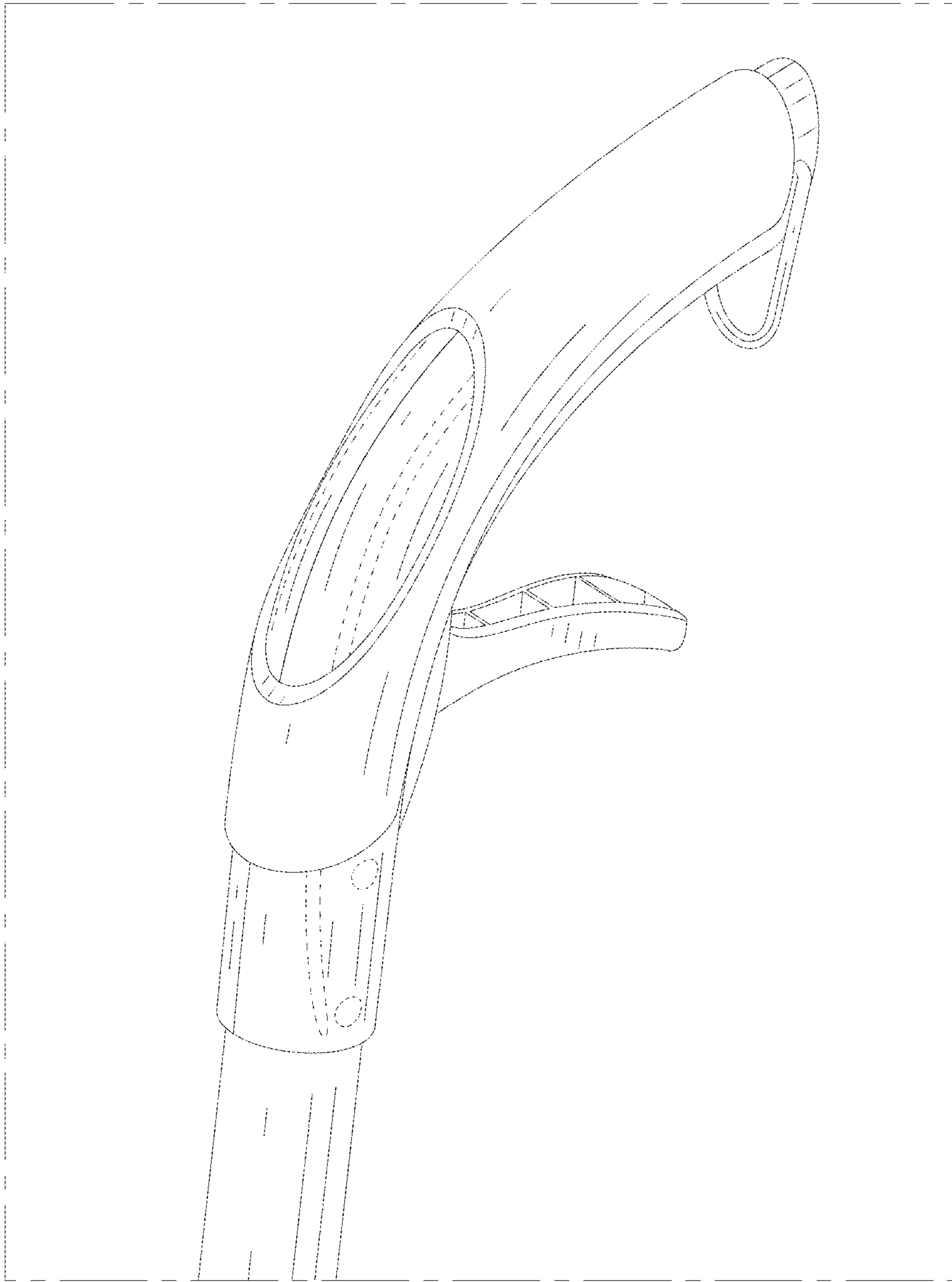


FIG. 9

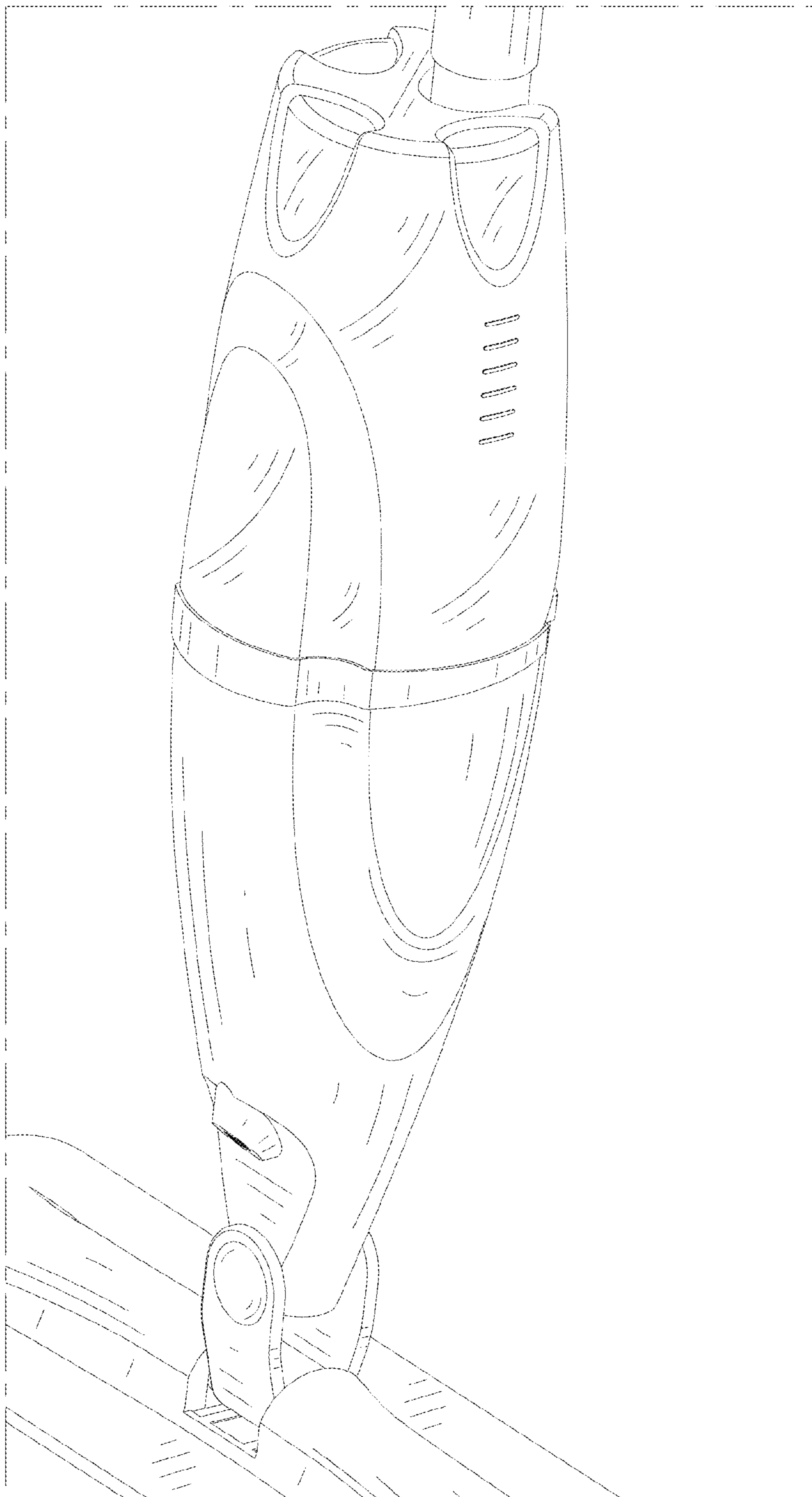


FIG. 10

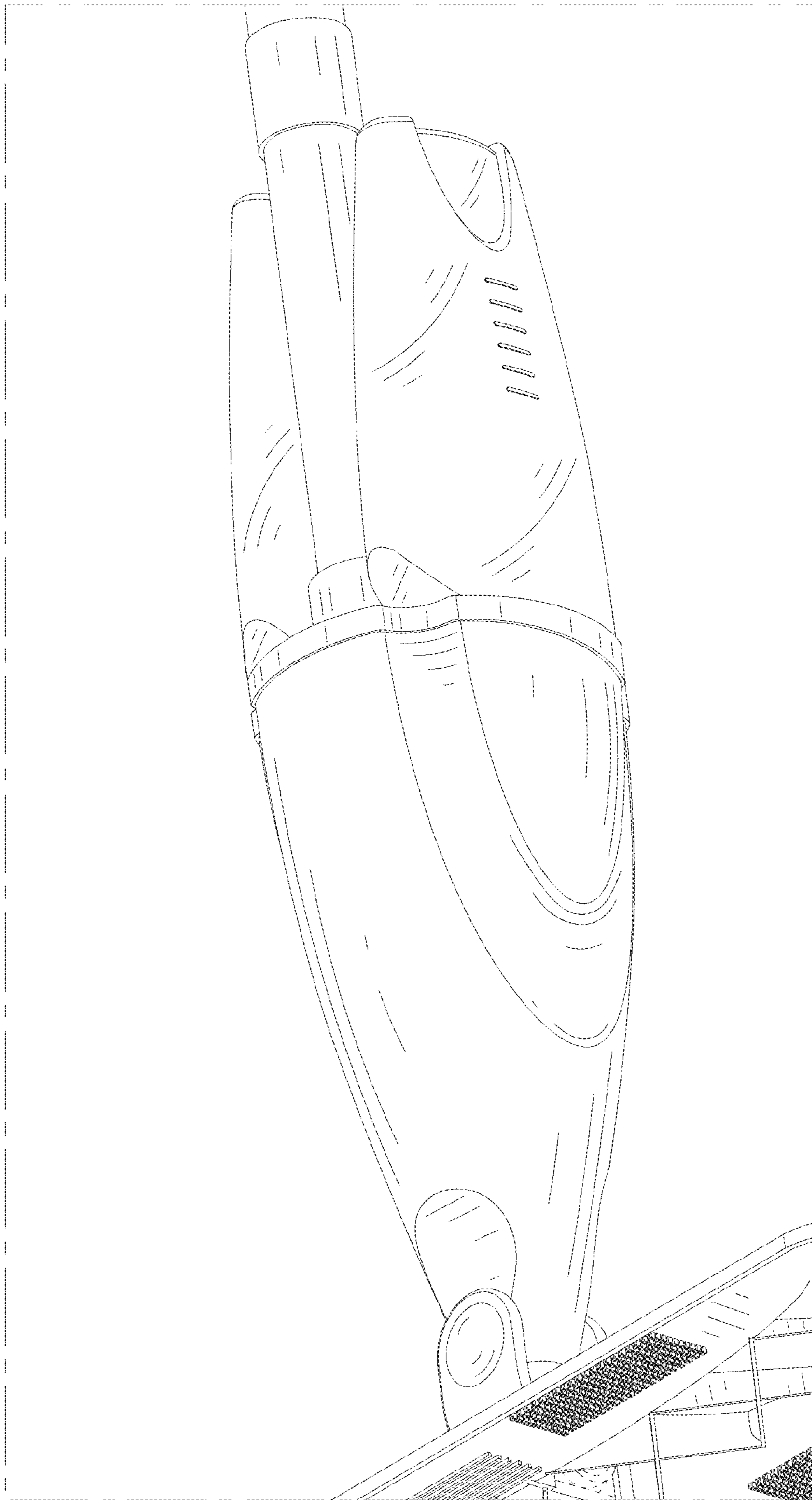


FIG. 11

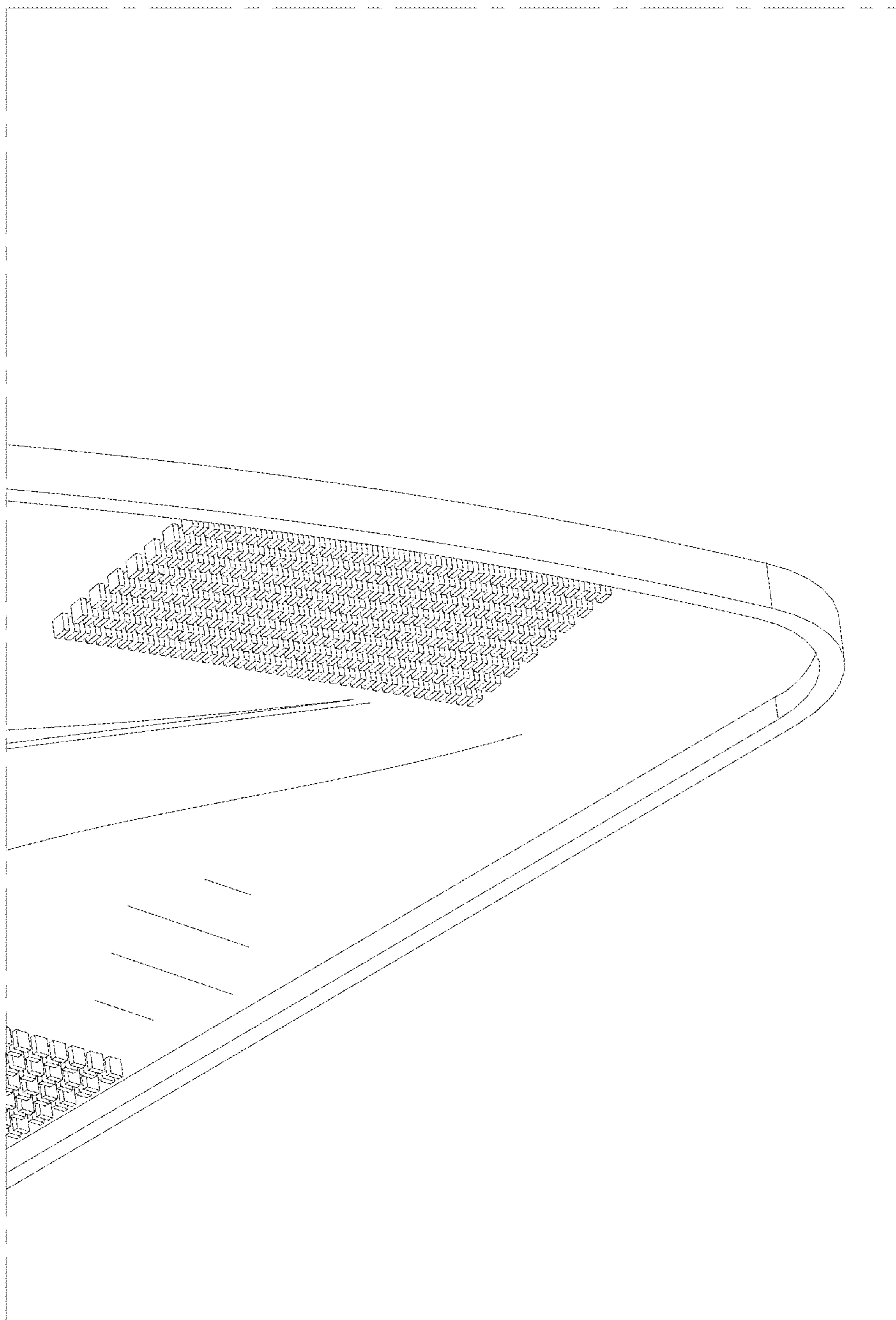


FIG. 12