



US00D959774S

(12) **United States Design Patent** (10) **Patent No.:** **US D959,774 S**  
**Cran et al.** (45) **Date of Patent:** **\*\* Aug. 2, 2022**

(54) **DRYER BALL** D423,360 S 4/2000 Hirato et al.  
6,237,788 B1 5/2001 Shuen  
(71) Applicant: **MAKE GREAT SALES LIMITED,** D464,571 S \* 10/2002 Hill ..... D9/519  
Wan Chai (HK) D574,234 S 8/2008 Lobo  
D579,163 S \* 10/2008 Schablinger ..... D32/29.1  
(72) Inventors: **Bruce Peter Cran,** Ho Chi Minh (VN); 7,481,727 B2\* 1/2009 Chia ..... A63B 43/00  
**Kin Choi Lee,** Wanchai (HK) 473/577  
(73) Assignee: **Make Great Sales Limited,** Hong D621,494 S 8/2010 Li  
Kong (HK) 7,789,040 B2 9/2010 Liethen  
D630,912 S 1/2011 Wong  
D650,056 S 12/2011 Li  
(Continued)

(\*\*) Term: **15 Years**

(21) Appl. No.: **29/740,884**

(22) Filed: **Jul. 8, 2020**

(51) **LOC (13) Cl.** ..... **15-05**

(52) **U.S. Cl.**  
USPC ..... **D32/29.1**

(58) **Field of Classification Search**  
USPC ..... D9/503, 519; D21/680, 713; D22/122;  
D23/366; D24/211, 215; 32/29.1;  
D32/29.1  
CPC ..... A44C 15/002; C11B 9/00; D06F 58/22;  
A61L 9/12; A63B 43/00; A63B 39/00;  
A63H 37/00; A63F 9/00  
See application file for complete search history.

(56) **References Cited**

**U.S. PATENT DOCUMENTS**

D273,366 S 4/1984 Polenghi  
D279,171 S 6/1985 Mermelstein  
D291,693 S 9/1987 Yoshiharu  
4,991,847 A \* 2/1991 Rudell ..... A63F 9/00  
273/138.1  
D341,321 S \* 11/1993 De Silva ..... D9/519  
5,810,602 A \* 9/1998 Menelly ..... A63B 39/00  
434/302  
5,931,351 A 8/1999 Renualt et al.  
5,975,983 A \* 11/1999 Panec ..... A63H 37/00  
141/114  
D419,437 S 1/2000 Straeten

**OTHER PUBLICATIONS**

Morningstar Dryer Masher <https://www.getlaundrymasher.com/products/dryer-masher-morning-star.html> (Year: 2021).\*

(Continued)

*Primary Examiner* — Michelle E. Wilson  
*Assistant Examiner* — Richard E Yenchesky  
(74) *Attorney, Agent, or Firm* — Onello & Mello, LLP

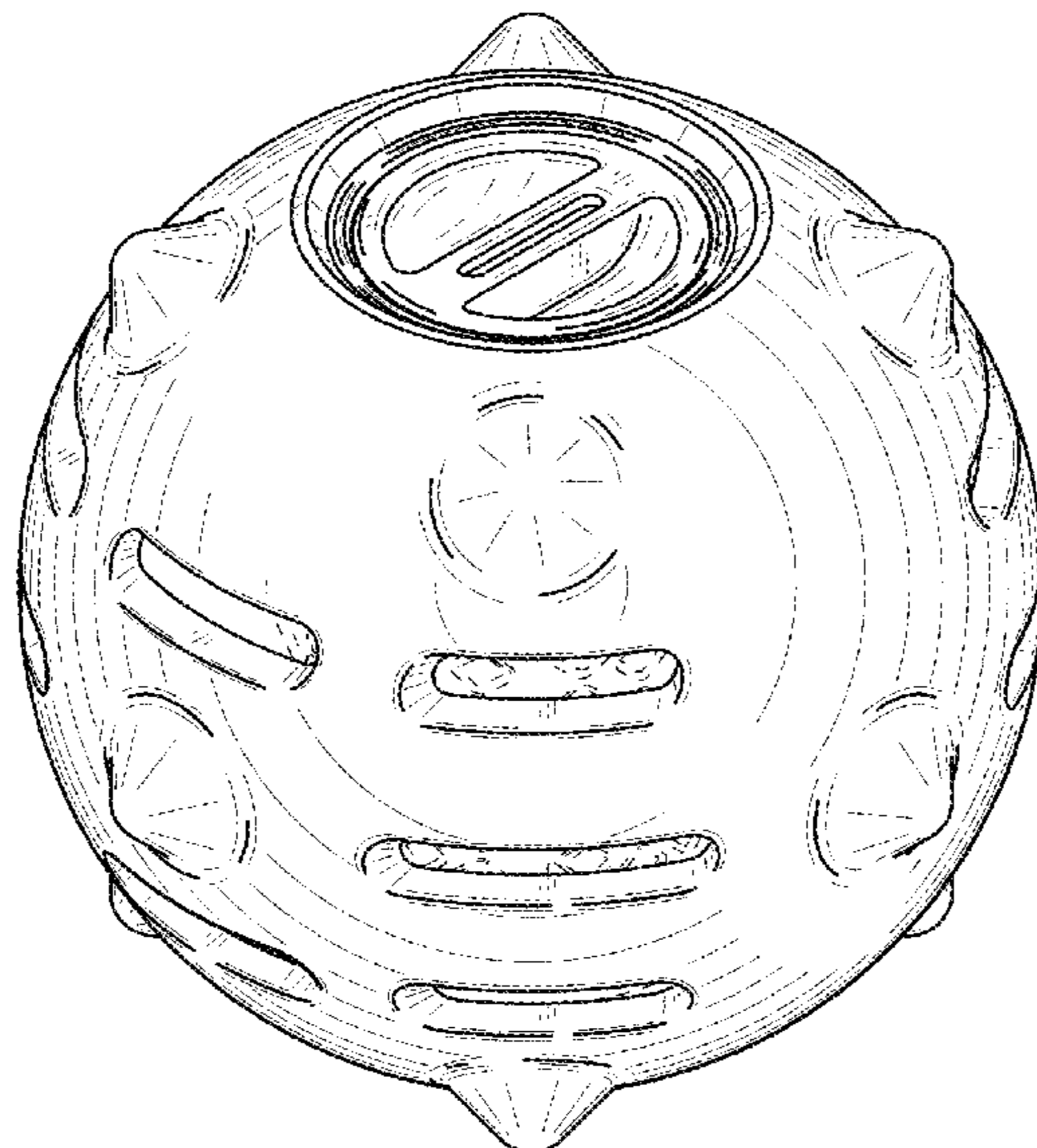
(57) **CLAIM**

The ornamental design for a dryer ball, as shown and described.

**DESCRIPTION**

FIG. 1 is a perspective view of an embodiment of a dryer ball, in accordance with the design;  
FIG. 2 is front view of the dryer ball of FIG. 1;  
FIG. 3 is a right-side view of the dryer ball of FIG. 1;  
FIG. 4 is a rear view of the dryer ball of FIG. 1;  
FIG. 5 is a left-side view of the dryer ball of FIG. 1;  
FIG. 6 is a top view of the dryer ball of FIG. 1; and,  
FIG. 7 is a bottom view of the dryer ball of FIG. 1.  
Broken lines in the drawing depict environmental structure or boundaries that form no part of the design to be patented.

**1 Claim, 4 Drawing Sheets**





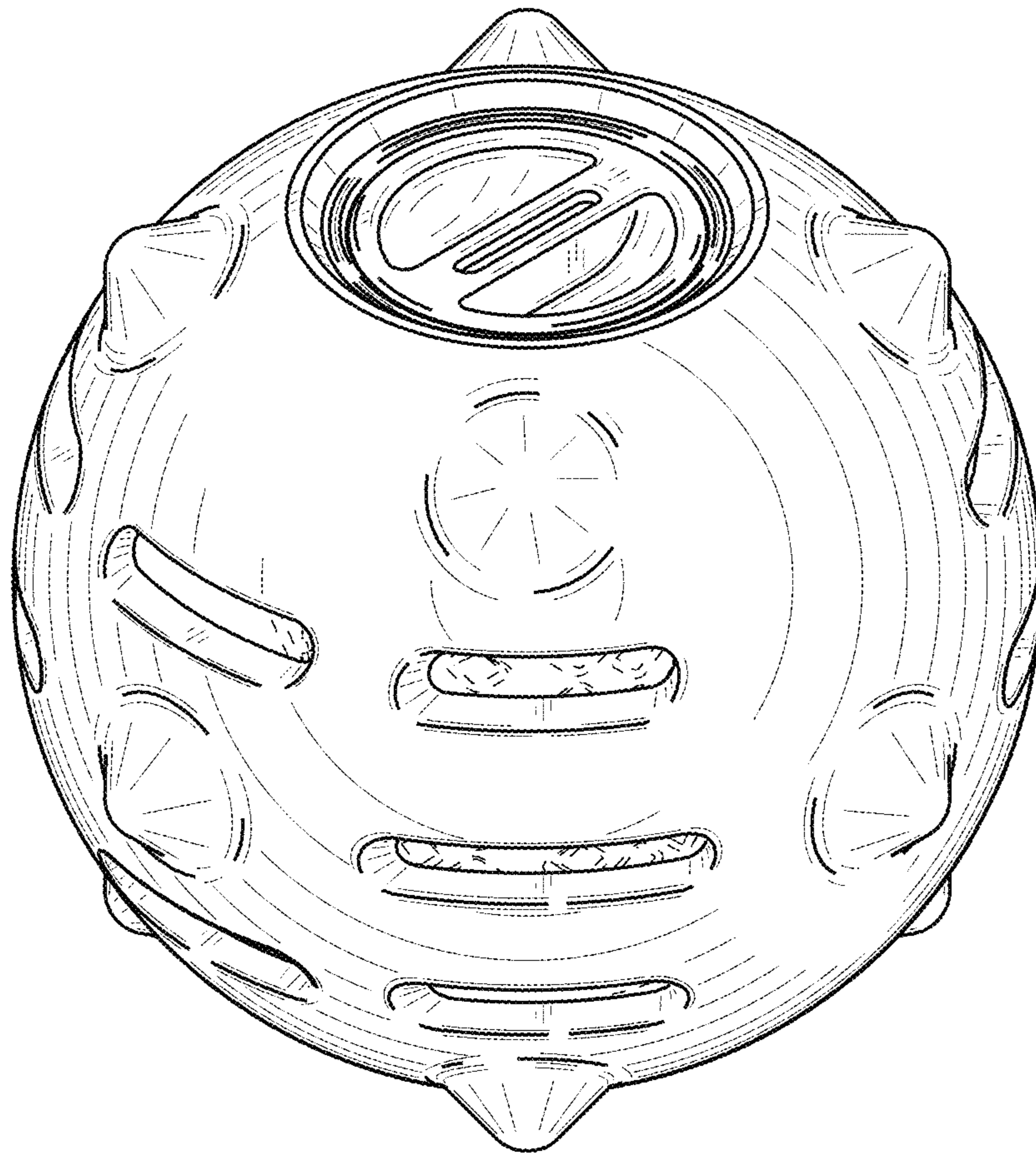


FIG. 1

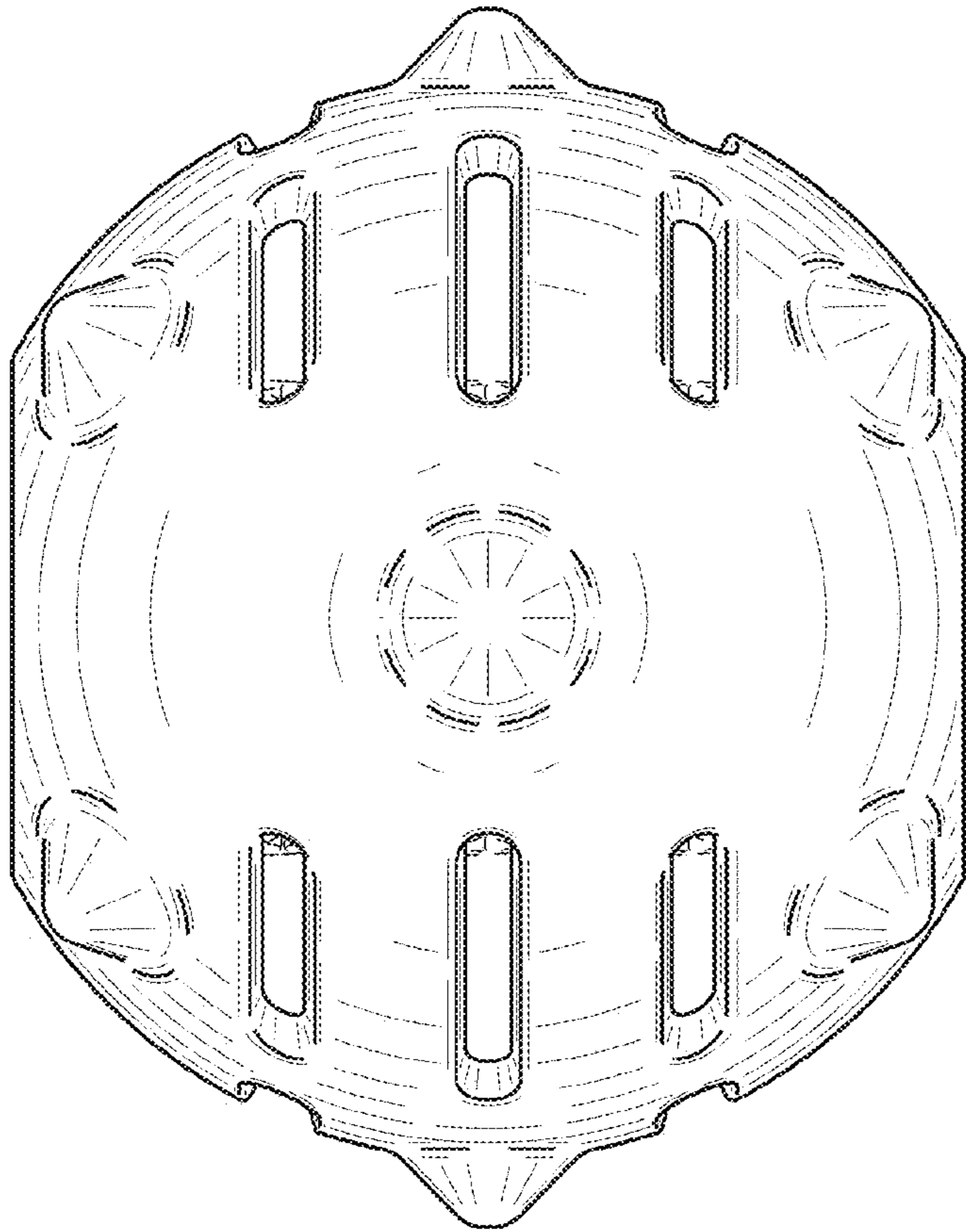


FIG. 3

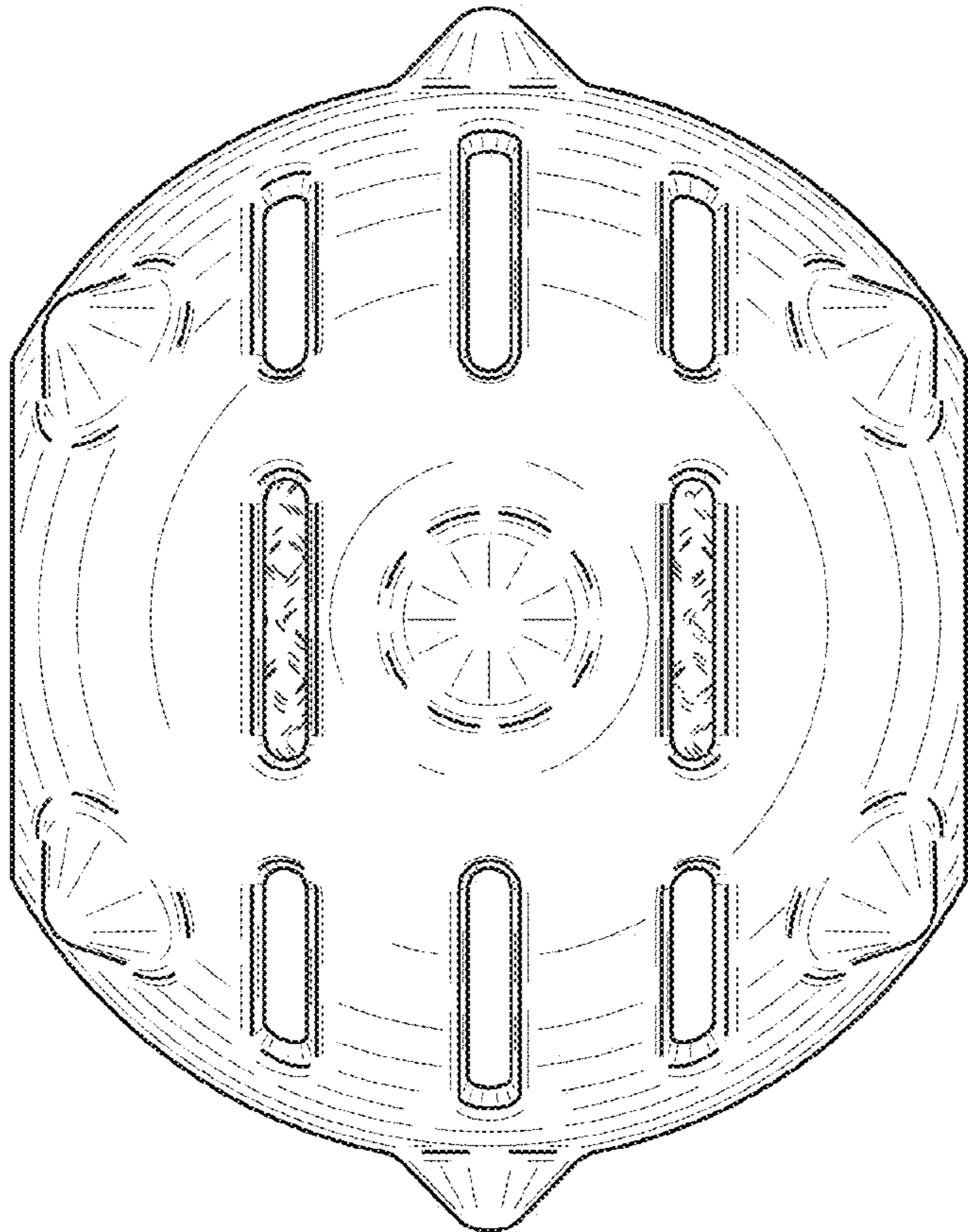


FIG. 2

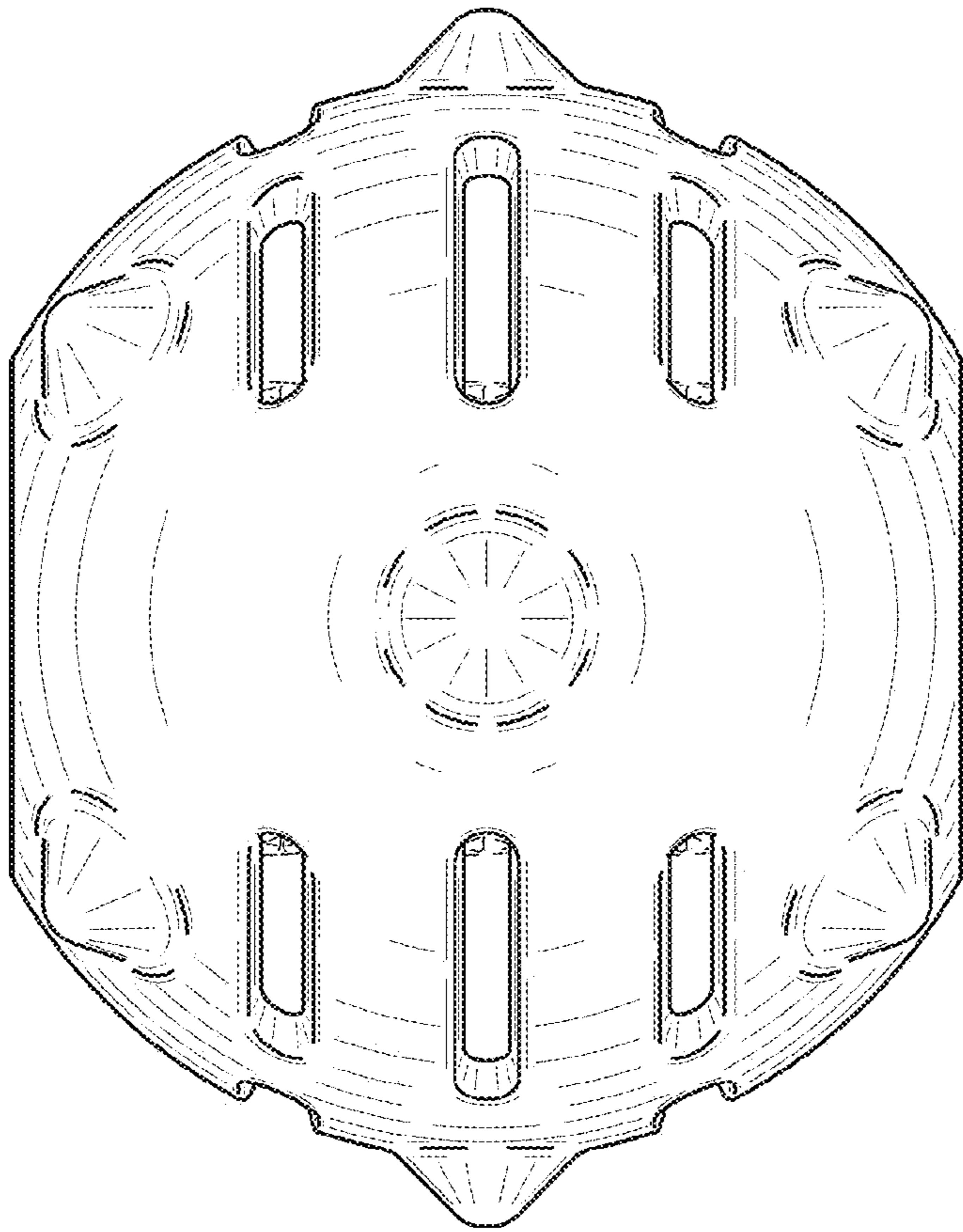


FIG. 5

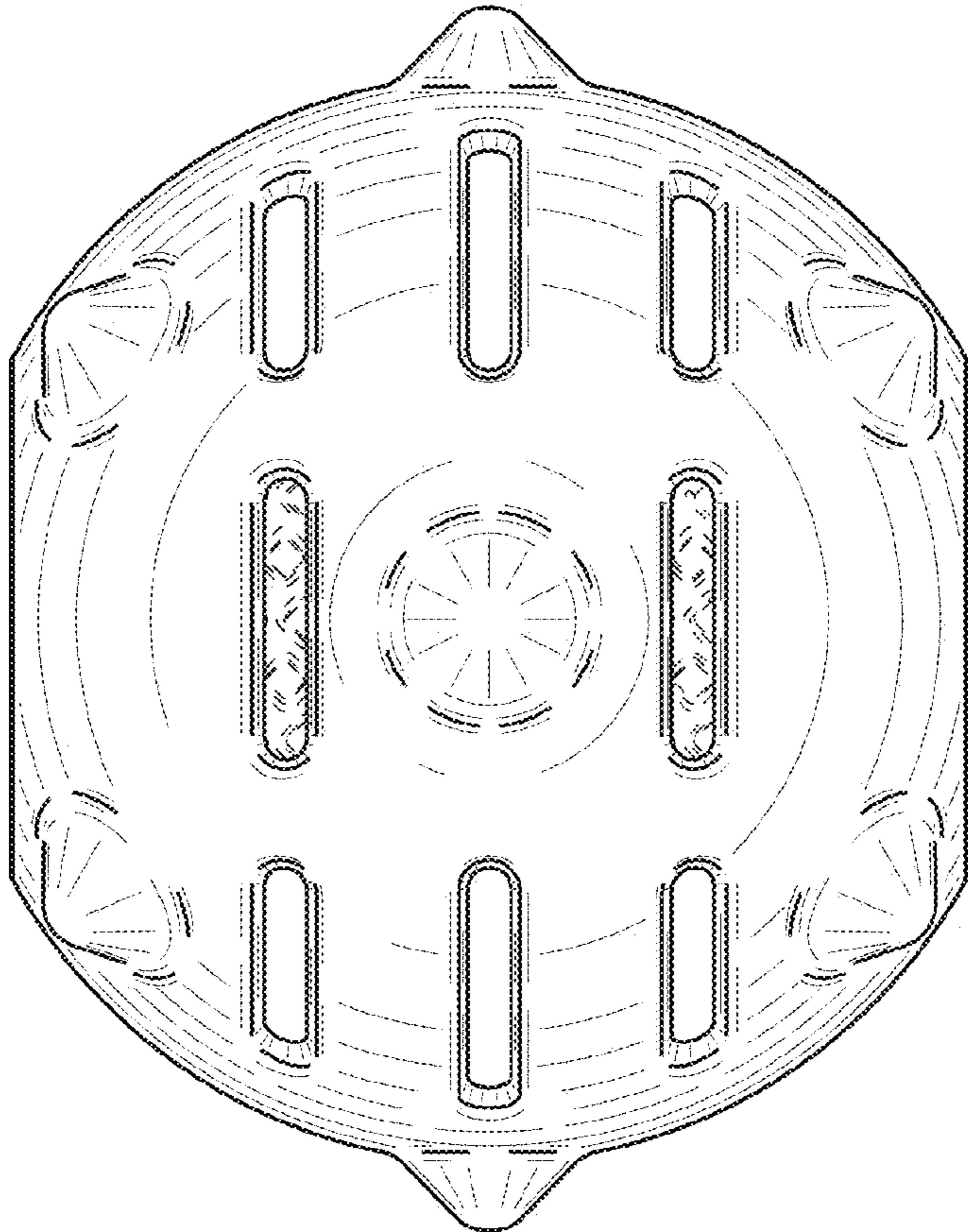


FIG. 4

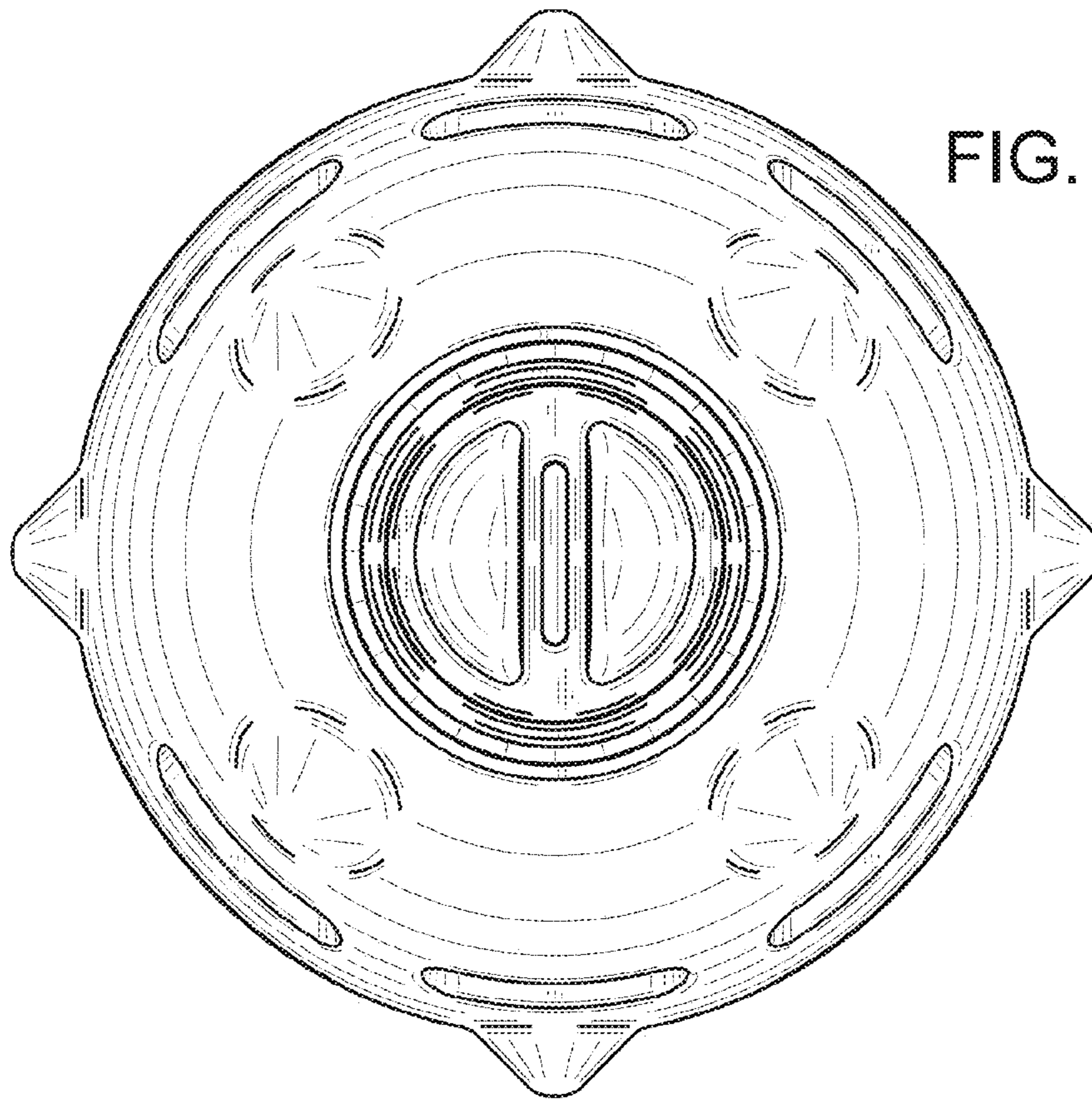


FIG. 6

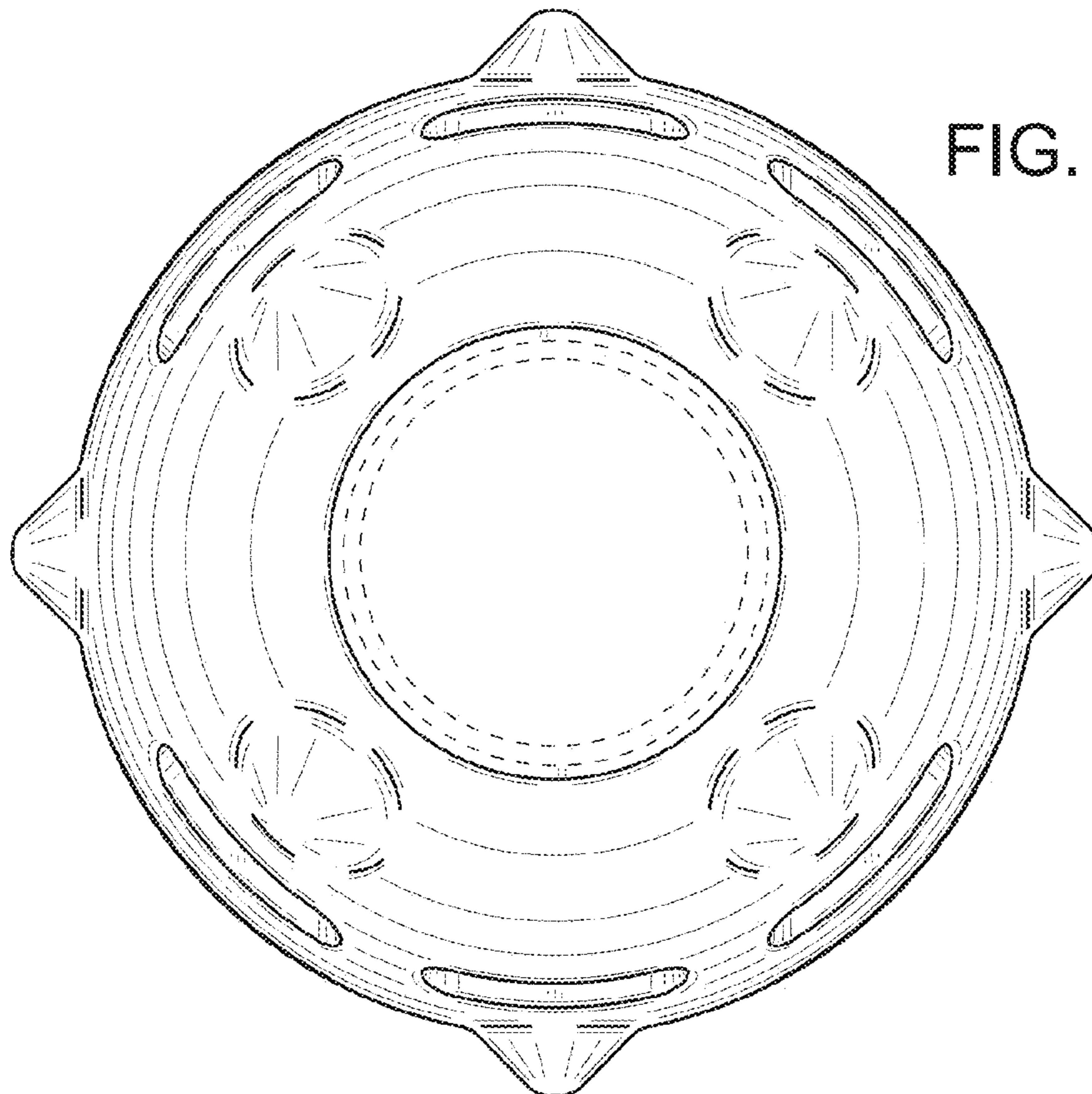


FIG. 7