



US00D959771S

(12) **United States Design Patent** (10) **Patent No.:** **US D959,771 S**
Yoon et al. (45) **Date of Patent:** **** Aug. 2, 2022**

(54) **CLEANER**

- (71) Applicant: **Samsung Electronics Co., Ltd.**, Suwon-si (KR)
- (72) Inventors: **Sanghoon Yoon**, Suwon-si (KR); **Jinsun Park**, Suwon-si (KR); **Kangkyung Lee**, Suwon-si (KR); **Hwandong Lee**, Suwon-si (KR)
- (73) Assignee: **SAMSUNG ELECTRONICS CO., LTD.**, Gyeonggi-Do (KR)
- (**) Term: **15 Years**
- (21) Appl. No.: **29/804,331**
- (22) Filed: **Aug. 19, 2021**

Related U.S. Application Data

- (62) Division of application No. 29/726,234, filed on Mar. 2, 2020, now Pat. No. Des. 940,973.

(30) **Foreign Application Priority Data**

- Sep. 3, 2019 (KR) 30-2019-0042467
- (51) **LOC (13) Cl.** **15-05**
- (52) **U.S. Cl.**
USPC **D32/22; D32/32**
- (58) **Field of Classification Search**
USPC D32/21-22, 31-33, 38-39, 41, 50
(Continued)

(56) **References Cited**

U.S. PATENT DOCUMENTS

- D744,708 S * 12/2015 Cheon D32/31
 - D747,580 S 1/2016 Yun et al.
- (Continued)

FOREIGN PATENT DOCUMENTS

- DE 402015100559-0001 9/2015
 - EM 002264424-0007 7/2013
- (Continued)

OTHER PUBLICATIONS

LG CordZero A9 Stick Vacuum Charge Plus, available in Amazon.ca, date first available Dec. 18, 2018 [online], [site visited Mar. 25, 2022], Available from the internet URL: https://www.amazon.ca/LG-Cordless-Vacuum-CordZero-Charge/dp/B07K2LP2N3/ref=sr_1_5 (Year: 2018).*

(Continued)

Primary Examiner — Amy C Wierenga
Assistant Examiner — Jennylou M Binas
(74) *Attorney, Agent, or Firm* — Cantor Colburn LLP

(57) **CLAIM**

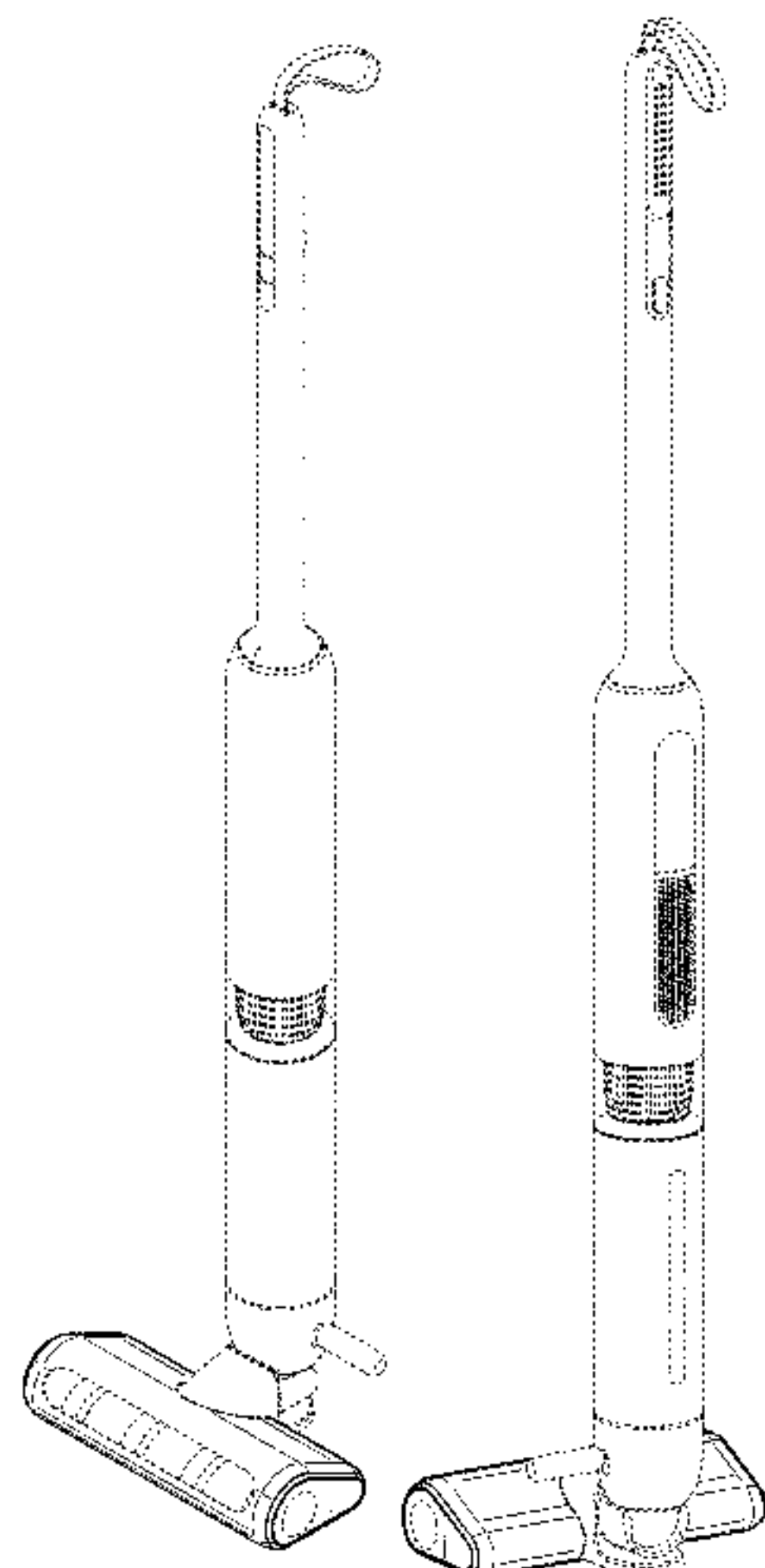
The ornamental design for a cleaner, as shown and described.

DESCRIPTION

FIG. 1 is a front perspective view of a first embodiment of a cleaner, showing our new design;
 FIG. 2 is a front view thereof;
 FIG. 3 is a rear view thereof;
 FIG. 4 is a left-side view thereof;
 FIG. 5 is a right-side view thereof;
 FIG. 6 is a top view thereof;
 FIG. 7 is a bottom view thereof;
 FIG. 8 is a rear perspective view thereof;
 FIG. 9 is a front perspective view of a second embodiment of the cleaner, showing our new design;
 FIG. 10 is a front view thereof;
 FIG. 11 is a rear view thereof;
 FIG. 12 is a left-side view thereof;
 FIG. 13 is a right-side view thereof;
 FIG. 14 is a top view thereof;
 FIG. 15 is a bottom view thereof; and,
 FIG. 16 is a rear perspective view thereof.

The broken lines illustrating portions of the cleaner form no part of the claimed design.
 The dot-dash broken lines in the figure illustrate a boundary of the claimed design, and form no part of the claimed design.

1 Claim, 14 Drawing Sheets



(58) **Field of Classification Search**

CPC A46B 15/0053; A47L 13/225; A47L 9/02;
 A47L 9/0411; A47L 9/0422; A47L
 9/0461; A47L 9/0693; A47L 9/325; A47L
 11/20; A47L 11/24; A47L 11/26; A47L
 11/302; A47L 11/32; A47L 11/34; A47L
 11/4041; B04C 5/185; B08B 1/002; B08B
 9/035; B60S 1/52; B23Q 11/0046; B23Q
 11/0071; E01H 1/0854; E04H 4/1636

See application file for complete search history.

FOREIGN PATENT DOCUMENTS

KR	300946157 S	3/2018
KR	300962429 S	6/2018
KR	301007374 S	5/2019
KR	301140719.0000	* 12/2021
KR	301069935.0000	* 2/2022
RU	00096661	12/2015
WO	D212175-002	12/2020

OTHER PUBLICATIONS

(56) **References Cited**

U.S. PATENT DOCUMENTS

D751,780 S	3/2016	Courtney et al.	
D752,301 S *	3/2016	Courtney	D32/32
D752,302 S *	3/2016	Courtney	D32/32
D782,761 S *	3/2017	Yoon	D32/32
D814,724 S	4/2018	Courtney et al.	
D836,273 S	12/2018	Nam et al.	
D836,274 S	12/2018	Nam et al.	
D836,867 S	12/2018	Nam et al.	
D836,868 S	12/2018	Nam et al.	
D839,517 S	1/2019	Nam et al.	
D839,518 S	1/2019	Nam et al.	
D839,519 S	1/2019	Nam et al.	
D848,099 S	5/2019	Nam et al.	
D879,397 S	3/2020	Kim et al.	
D879,398 S *	3/2020	Burgess	D32/32
D912,344 S	3/2021	Choi et al.	
D912,345 S	3/2021	Uim et al.	
D922,015 S	6/2021	Polden et al.	
D927,809 S *	8/2021	Kim	D32/32
D932,124 S *	9/2021	Lin	D32/22
D935,714 S *	11/2021	Park	D32/22
D940,973 S *	1/2022	Yoon	D32/22
D943,229 S *	2/2022	Pang	D32/18

Jet Stick Vacuum, available in Samsung.com, announced Year 2020 [online], [site visited Oct. 30, 2020], Available from the internet URL: <https://www.samsung.com/us/home-appliances/vacuums/jet-stick/> (Year: 2020).

Moolan Cordless Vacuum Cleaner, available in Amazon.co.uk, date first available Apr. 7, 2021 [online], [site visited Aug. 25, 2021], Available from the Internet URL: https://www.amazon.co.uk/Moolan-Cordless-Lightweight-Portable-Handheld/dp/B08SQTHC51?ref_=ast_sto_dp (Year: 2021).

Samsung Jet 70 Complete Vacuum Cleaner, available in Amazon.co.uk, date first available Sep. 17, 2020 [online], [site visited Aug. 25, 2021], Available from the internet URL: https://www.amazon.co.uk/Samsung-VS15T7036R5/dp/B08JCXJY3G/ref=sr_1_3?dchild=1&keywords=samsung+jet&qid=1629903571&s=kitchen&sr=1-3 (Year: 2020).

Tineco Cordless Vacuum Cleaner, available in Amazon.co.uk, date first available Nov. 26, 2020 [online], [site visited Aug. 25, 2021], Available from the Internet URL: https://www.amazon.co.uk/Tineco-Cordless-Cleaner-Handheld-Controls/dp/B07QDQ6HMF?ref_=ast_sto_dp&th=1 (Year:2020).

* cited by examiner

FIG. 1

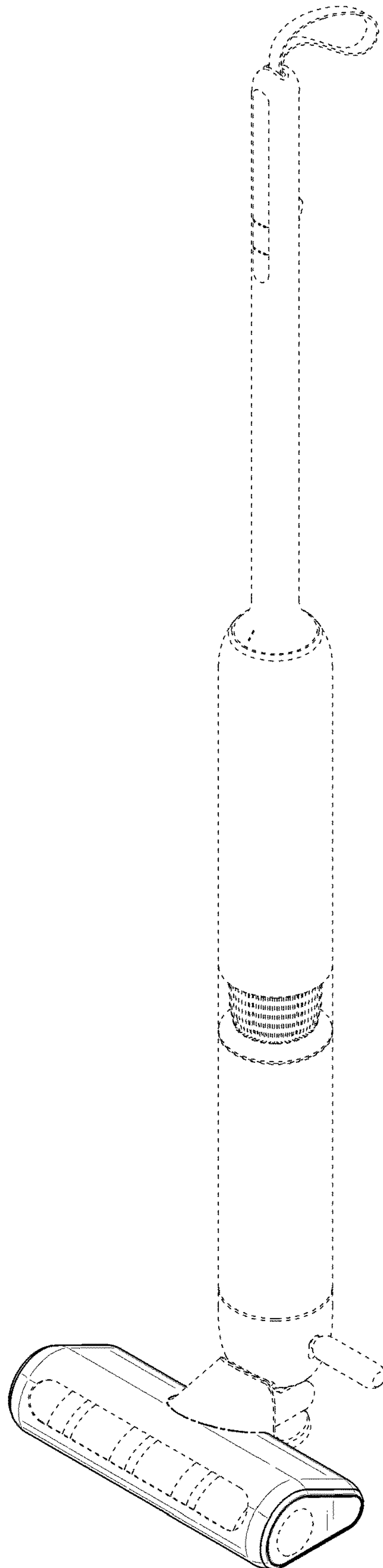


FIG. 2

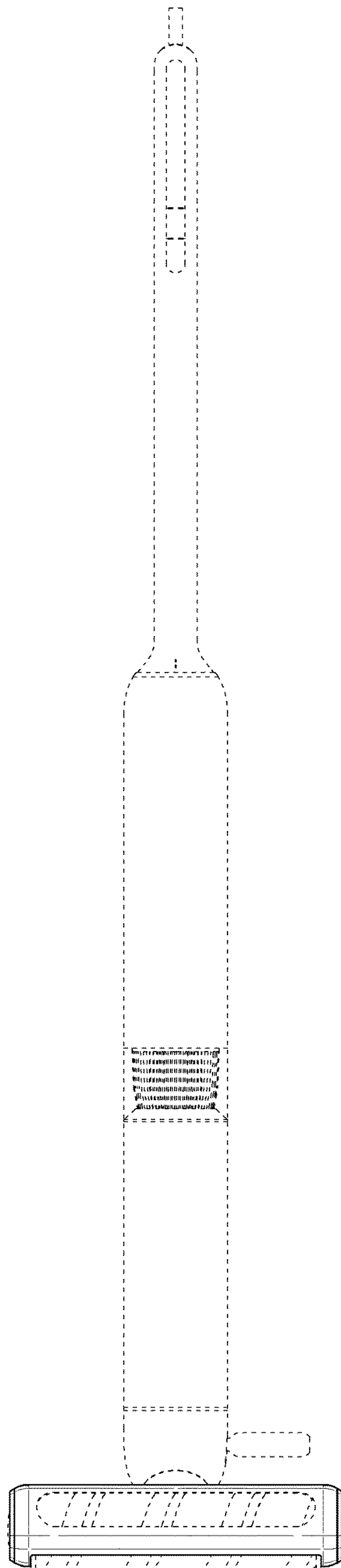


FIG. 3

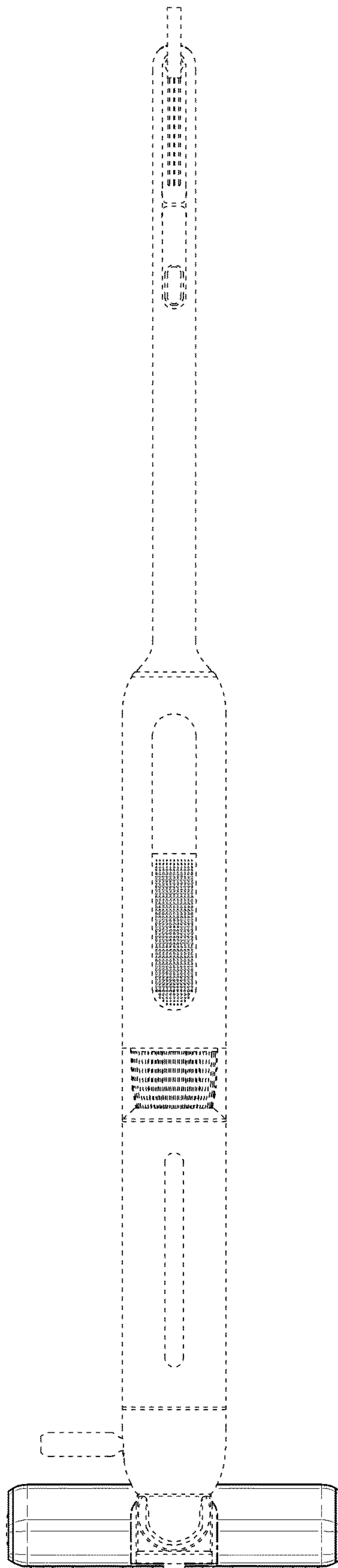


FIG. 4

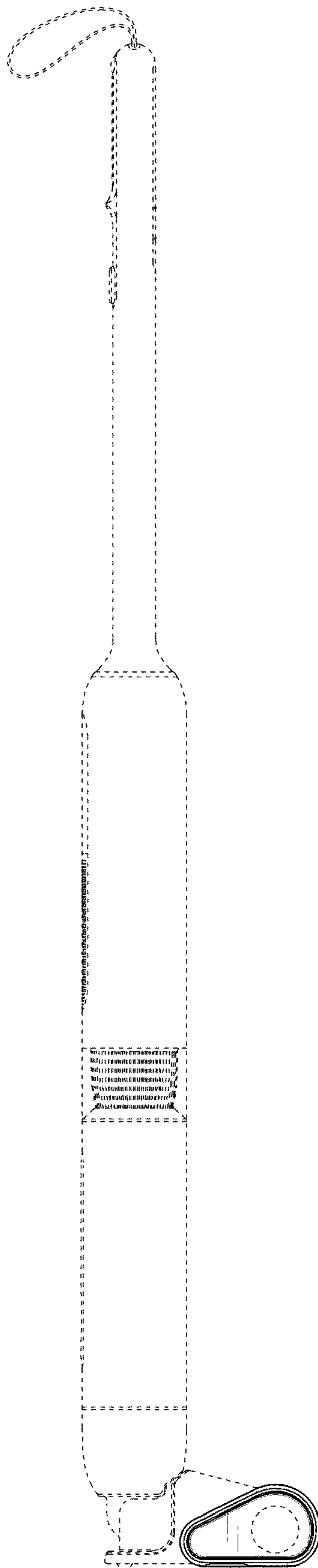


FIG. 5

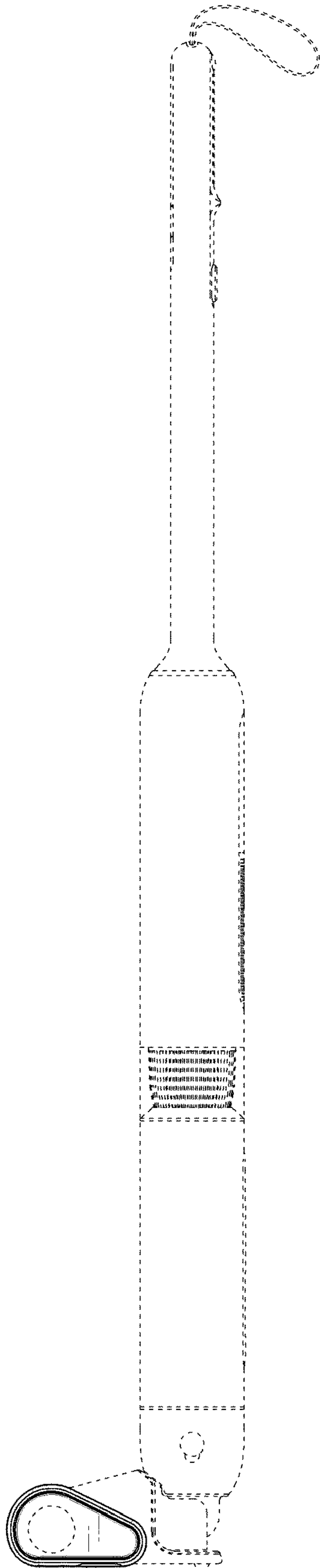


FIG. 6

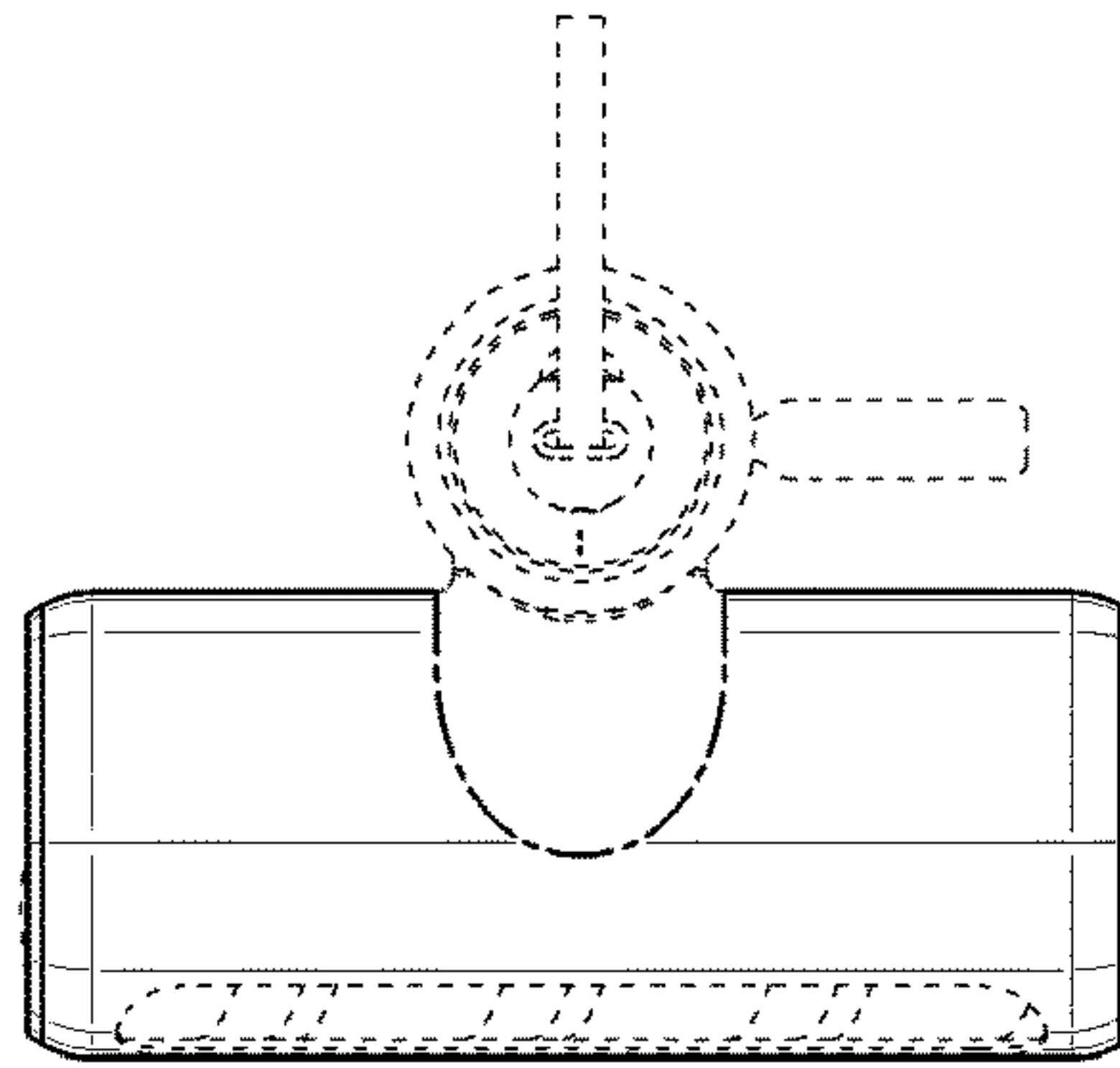


FIG. 7

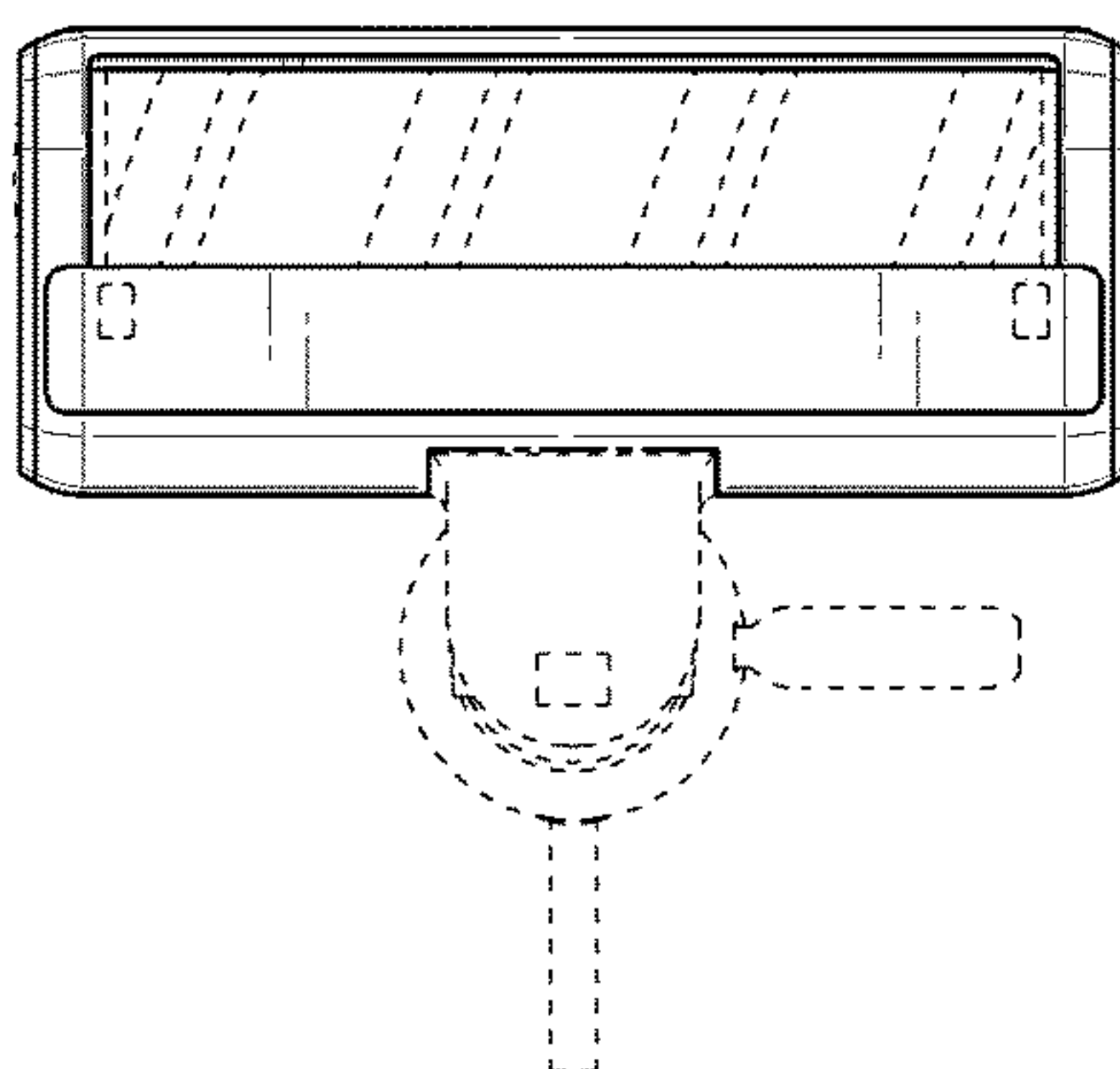


FIG. 8

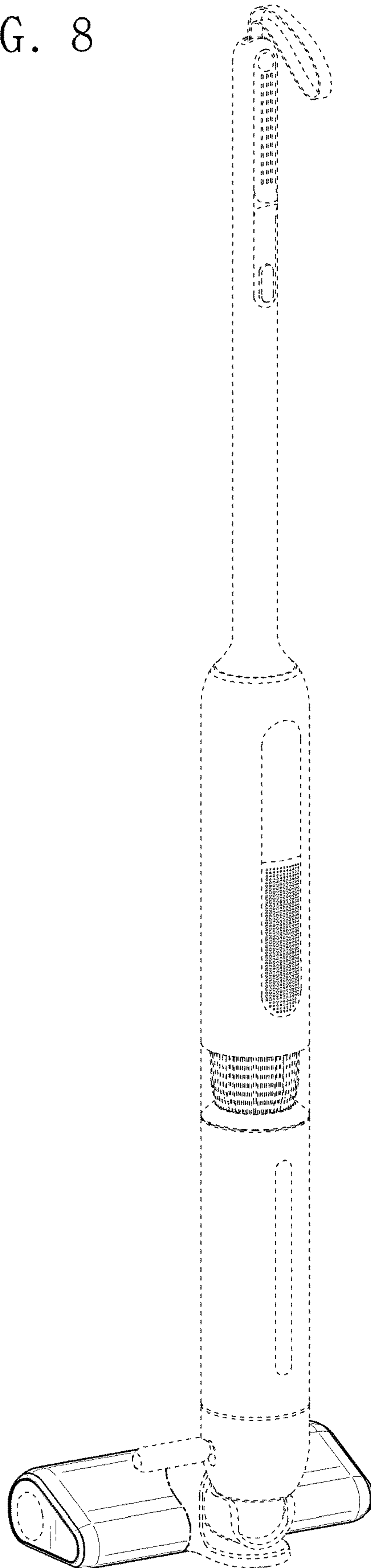


FIG. 9

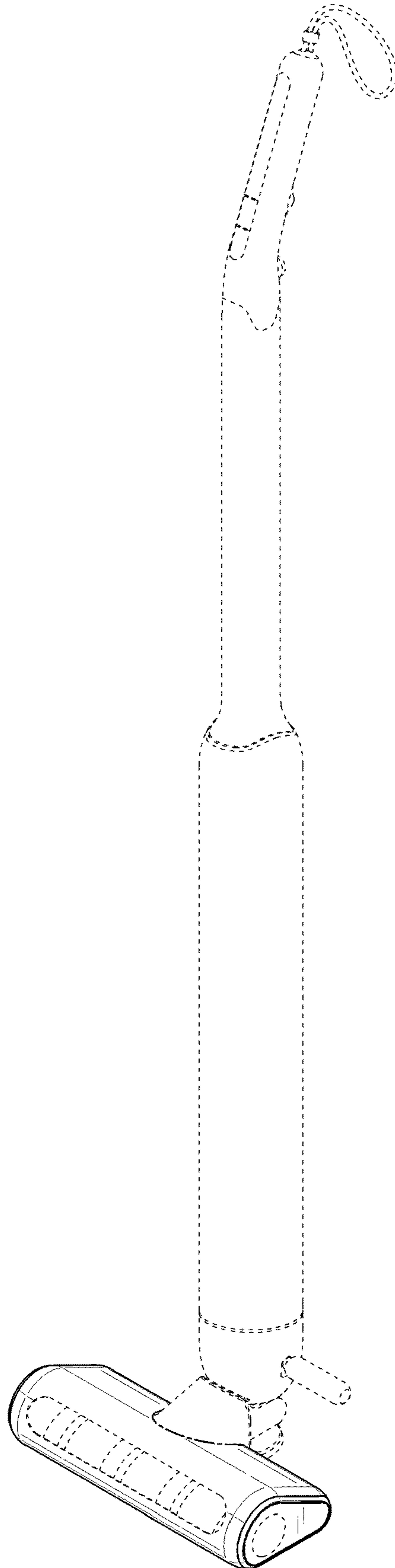


FIG. 10

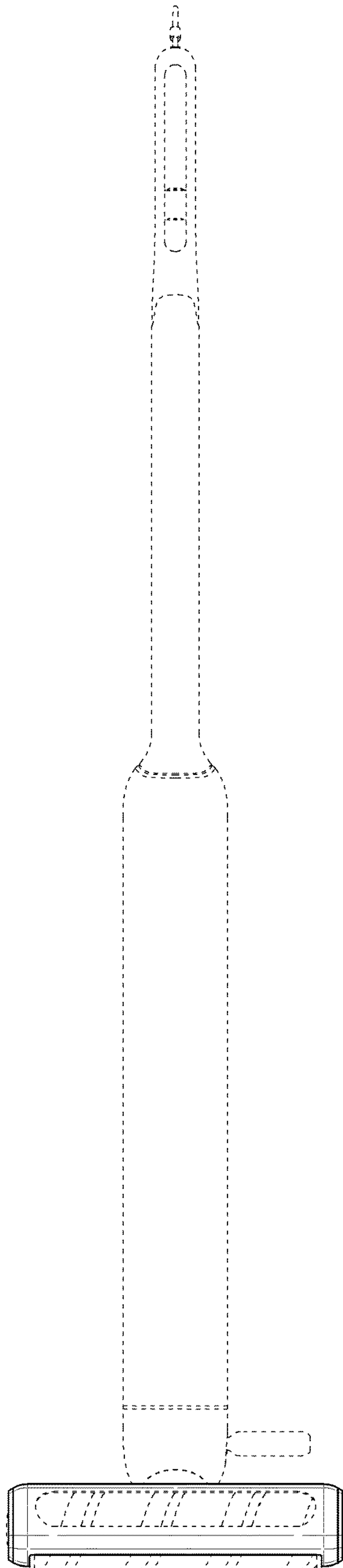


FIG. 11

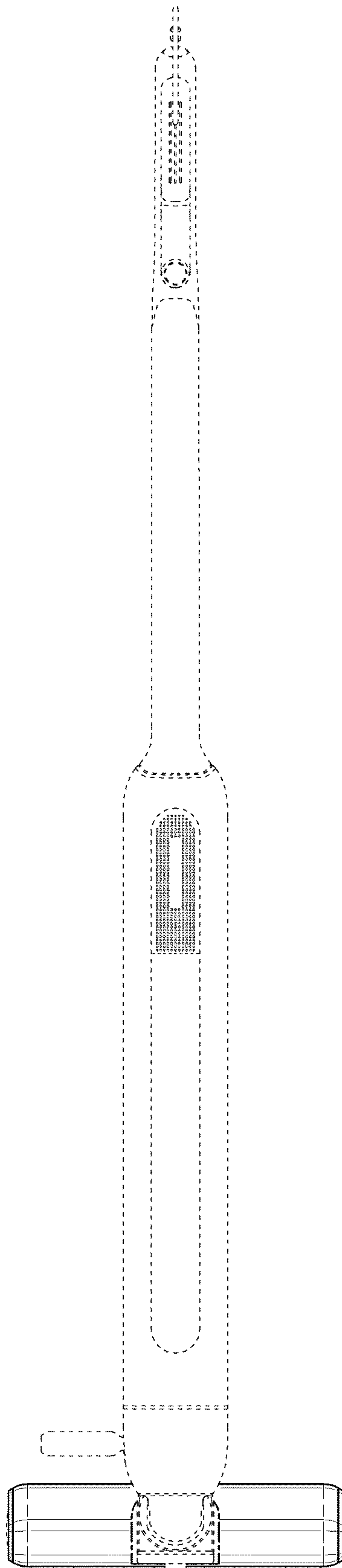


FIG. 12

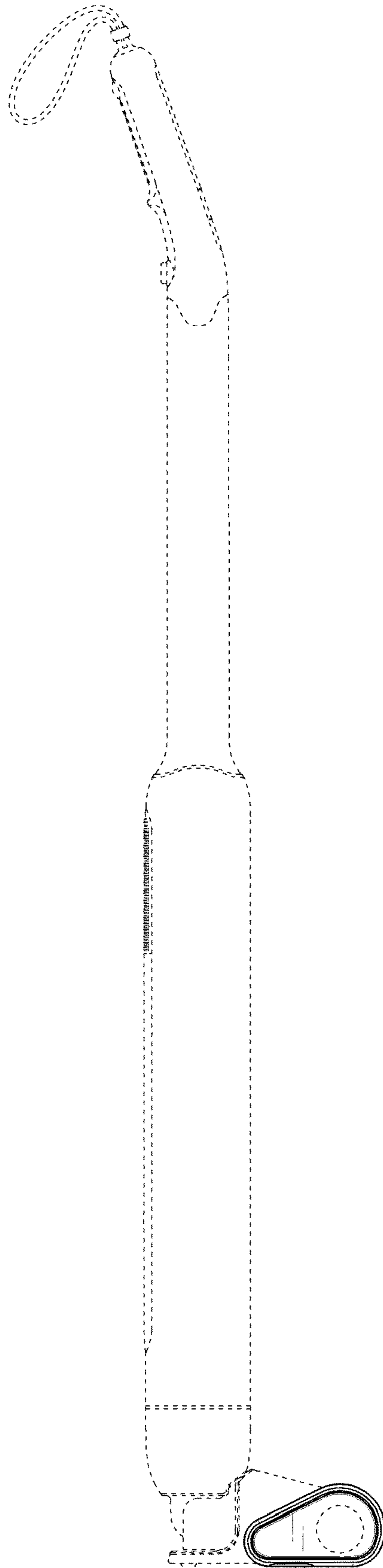


FIG. 13

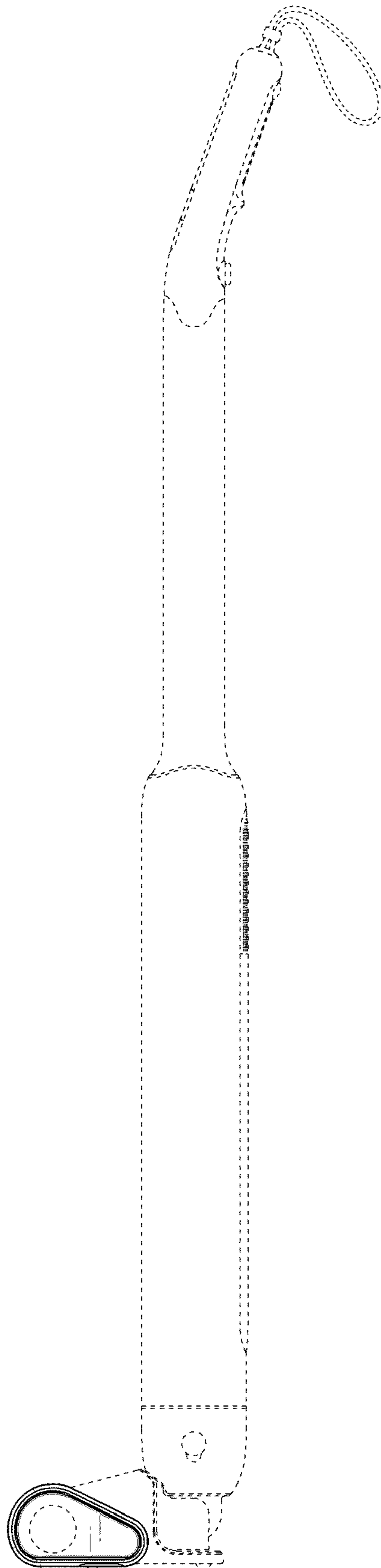


FIG. 14

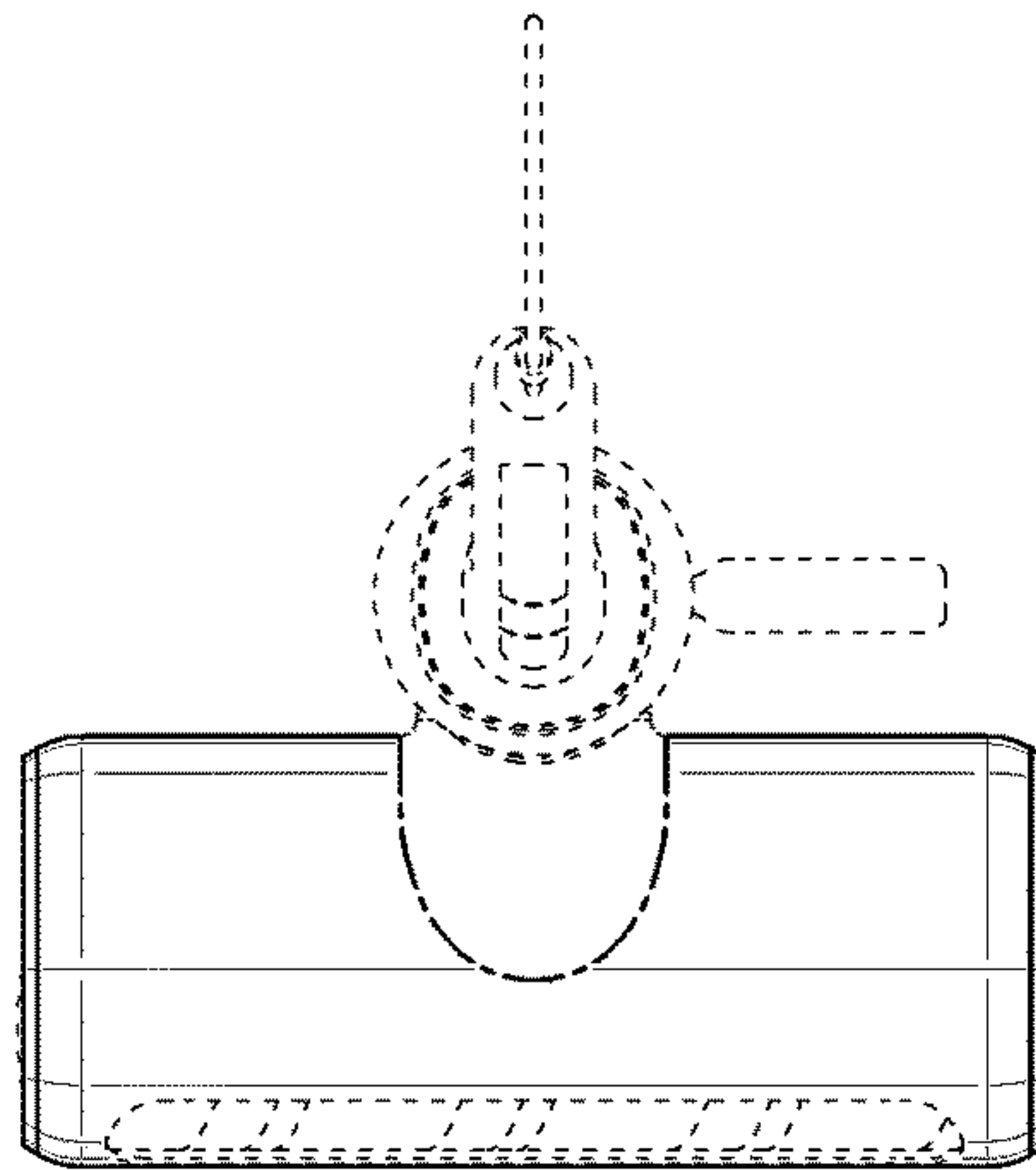


FIG. 15

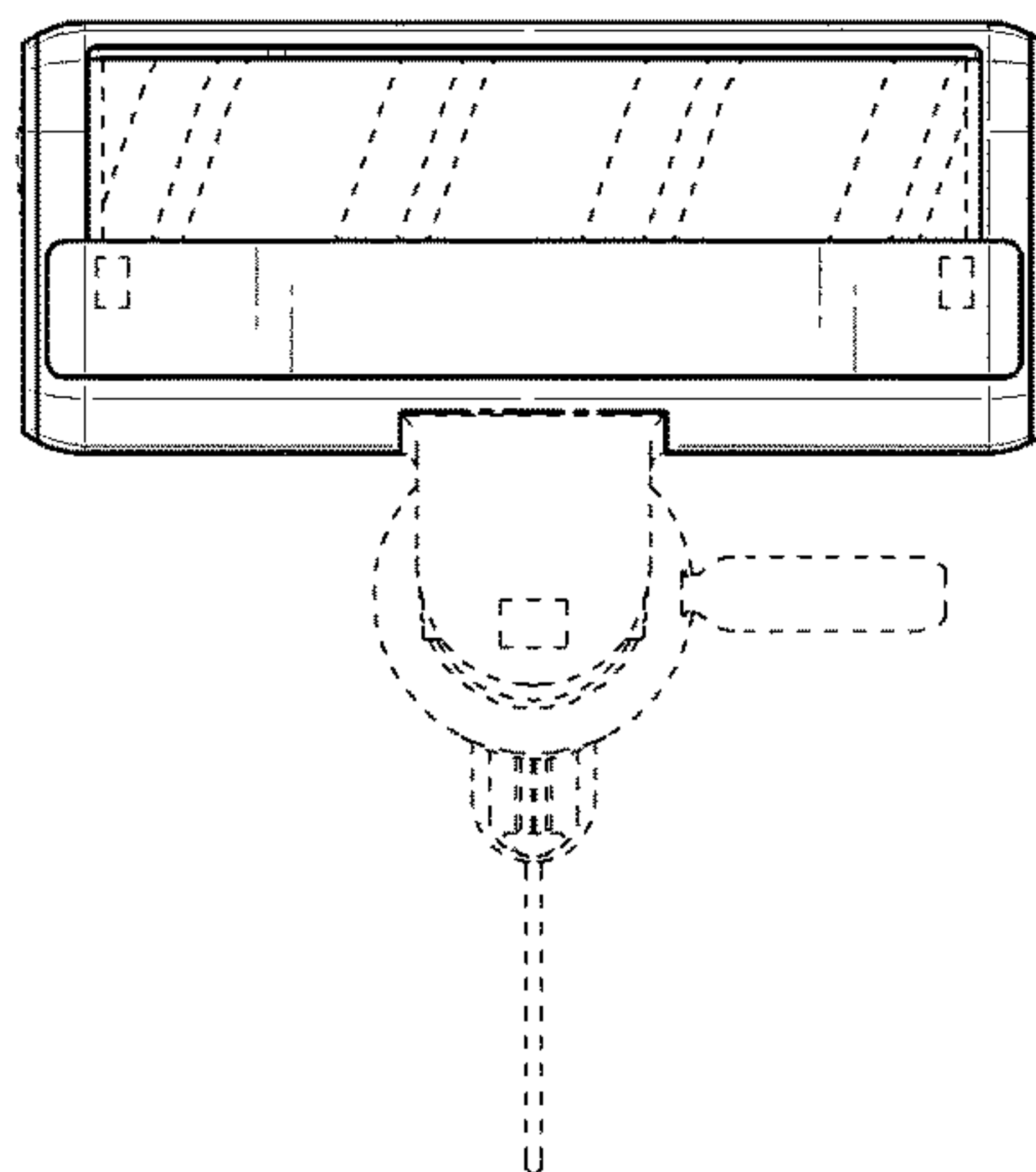


FIG. 16

