



US00D959770S

(12) **United States Design Patent** (10) **Patent No.:** **US D959,770 S**
Lai (45) **Date of Patent:** **** Aug. 2, 2022**

(54) **HANDHELD GARMENT STEAMER**

FOREIGN PATENT DOCUMENTS

(71) Applicant: **CONAIR LLC**, Stamford, CT (US)

CN 202739105 U 3/2013

(72) Inventor: **Kin Man Lai**, Hong Kong (HK)

OTHER PUBLICATIONS

(73) Assignee: **Conair LLC**, Stamford, CT (US)

Amazon UK Idle clothes, garment steamer https://www.amazon.co.uk/Idle-GS55U-Clothes-Garment-milliliters/dp/B09KNF7H94/ref=sr_1_27 (Year: 2021).*

(**) Term: **15 Years**

(Continued)

(21) Appl. No.: **29/812,878**

(22) Filed: **Oct. 25, 2021**

Primary Examiner — Michelle E. Wilson
Assistant Examiner — Richard E Yenchesky
(74) *Attorney, Agent, or Firm* — Ohlandt, Greeley, Ruggiero & Perle, L.L.P.

Related U.S. Application Data

(62) Division of application No. 29/714,193, filed on Nov. 21, 2019, now Pat. No. Des. 935,117.

(51) **LOC (13) Cl.** **15-05**

(52) **U.S. Cl.**
USPC **D32/17**

(58) **Field of Classification Search**
USPC D4/114; D32/17, 18, 35
CPC D06F 75/14; D06F 73/00; D06F 75/10;
D06F 75/30; D06F 87/00; D06F 75/20;
D06F 75/12; A01N 47/34; A61L 2/07;
B08B 9/00; F22B 27/16; A47L 11/34;
D06M 11/34

See application file for complete search history.

(56) **References Cited**

U.S. PATENT DOCUMENTS

2,027,767	A	1/1936	Deems	
D106,361	S	10/1937	Von Schrader	
2,797,507	A	7/1957	Maykemper	
D222,502	S *	10/1971	Madl et al.	D8/29.1
3,620,055	A	11/1971	Blachly et al.	
3,646,317	A	2/1972	Osrow	
D229,016	S *	11/1973	Plasko	D32/17
D229,664	S *	12/1973	Stutzer	D32/17

(Continued)

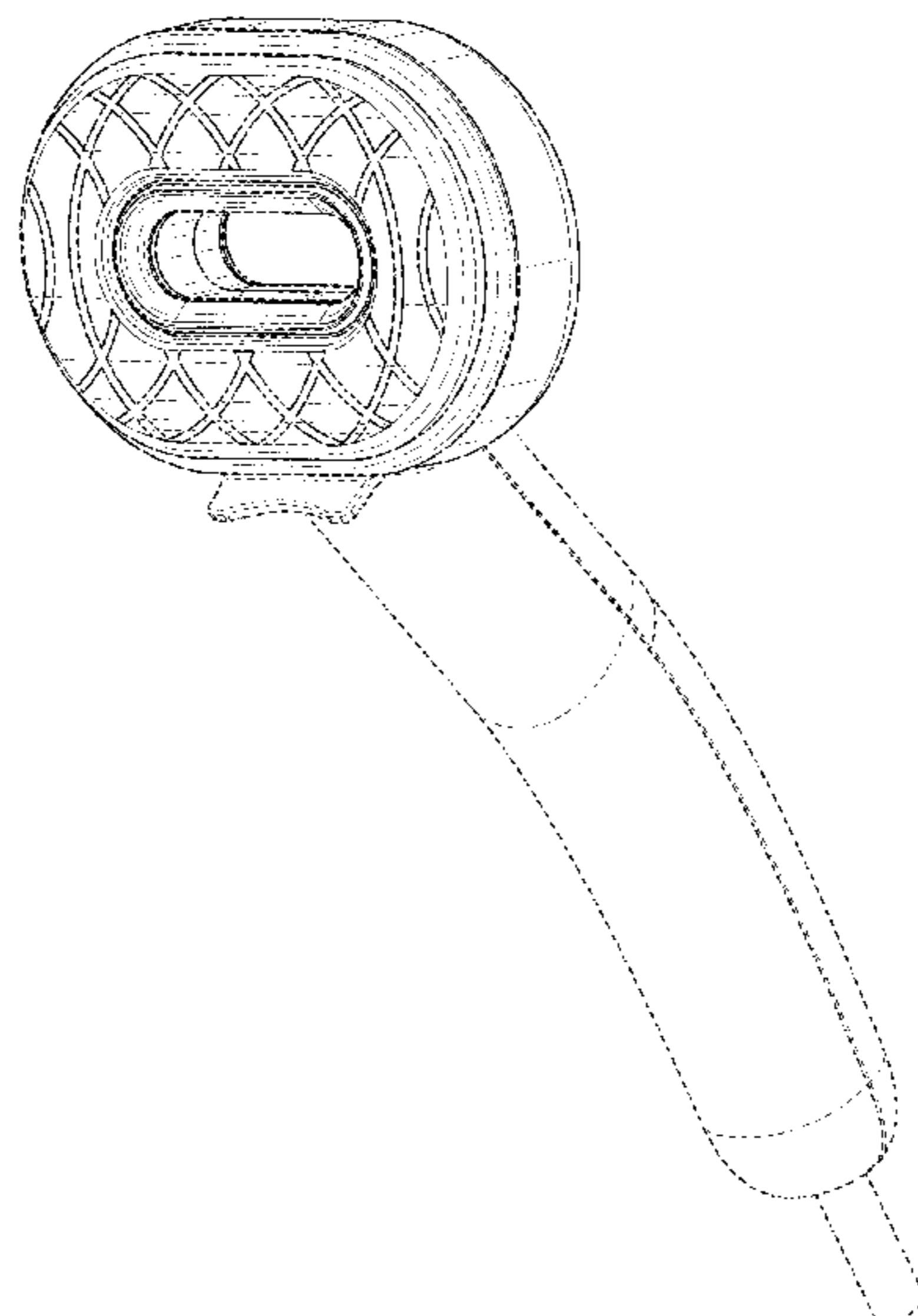
(57) **CLAIM**

The ornamental design for a handheld garment steamer, as shown and described.

DESCRIPTION

FIG. 1 is a front right side perspective view of an ornamental design for a handheld garment steamer according to the present invention;
FIG. 2 is rear left side perspective view of the handheld garment steamer of FIG. 1;
FIG. 3 is a front elevational view of the handheld garment steamer of FIG. 1;
FIG. 4 is a rear elevational view of the handheld garment steamer of FIG. 1;
FIG. 5 is a right side elevational view of the handheld garment steamer of FIG. 1, and the view of the handheld garment steamer that is rotated 180 degrees from FIG. 5 is a mirror image of FIG. 5;
FIG. 6 is a top plan view of the handheld garment steamer of FIG. 1; and,
FIG. 7 is a bottom plan view of the handheld garment steamer of FIG. 1.
The broken line showing of FIGS. 1-7 is for the purpose of illustrating environmental structure and forms no part of the claimed design.

1 Claim, 7 Drawing Sheets



(56)

References Cited

U.S. PATENT DOCUMENTS

3,889,406 A 6/1975 Chivers et al.
 3,947,659 A 3/1976 Ono
 4,114,022 A 9/1978 Braulke, III
 D255,864 S 7/1980 Bennett
 D262,257 S 12/1981 Sohn
 4,341,229 A 7/1982 Bauer et al.
 4,399,349 A 8/1983 Deming et al.
 4,496,826 A 1/1985 Osrow
 4,536,977 A 8/1985 Doyel
 4,571,483 A 2/1986 Fathi
 4,583,260 A 4/1986 Zai
 D319,121 S 8/1991 Muller
 5,279,054 A 1/1994 Chasen
 5,297,739 A 3/1994 Allen
 5,630,287 A 5/1997 Shimosaka et al.
 5,651,201 A 7/1997 Farley
 6,061,935 A * 5/2000 Lee D06F 75/30
 68/222
 D426,924 S 6/2000 Joiner et al.
 D436,424 S 1/2001 Buzzi
 6,275,653 B1 8/2001 Montipo'
 6,986,217 B2 1/2006 Leung
 D516,759 S 3/2006 Lam
 D525,399 S 7/2006 Alday Lesaga
 D540,498 S 4/2007 Tobias
 D542,488 S 5/2007 Lee
 D576,363 S 9/2008 Reiner
 7,490,422 B1 2/2009 Chen
 D589,663 S 3/2009 Massip
 D592,365 S 5/2009 Massip
 D601,806 S 10/2009 Choi
 7,661,212 B2 2/2010 Hahn et al.
 D622,457 S 8/2010 Choi
 D646,029 S 9/2011 Choi
 D646,445 S 10/2011 Choi
 D648,494 S 11/2011 Vrdoljak
 D648,495 S 11/2011 Ediger
 D648,908 S 11/2011 Ediger
 D651,774 S 1/2012 Tobias
 D670,876 S 11/2012 Vrdoljak
 D674,564 S * 1/2013 Mangano D32/17
 8,893,410 B2 11/2014 Vrdoljak et al.
 D725,326 S 3/2015 Spencer
 D731,723 S 6/2015 Dammkoehler
 D776,887 S 1/2017 Deffrennes
 9,845,568 B2 * 12/2017 Fung D06F 75/10
 D808,600 S 1/2018 Malatray
 D826,492 S 8/2018 Huang

D842,559 S 3/2019 Yang
 10,309,053 B2 6/2019 Yagi
 D857,313 S 8/2019 Smith
 10,385,503 B2 8/2019 Lukas et al.
 10,570,560 B2 2/2020 Chua
 D894,506 S 8/2020 Protet
 D906,606 S 12/2020 Zeng
 D920,604 S * 5/2021 Huang D32/17
 D920,606 S * 5/2021 Huang D32/17
 D921,305 S * 6/2021 Zhu D32/17
 D921,306 S * 6/2021 Ediger D32/17
 D922,007 S * 6/2021 Huang D32/17
 D922,702 S * 6/2021 Hu D32/17
 D925,151 S * 7/2021 Park D32/70
 D930,925 S * 9/2021 Wong D32/17
 D935,117 S * 11/2021 Man D32/17
 D939,835 S * 1/2022 Park D32/71
 D940,971 S * 1/2022 Yang D32/17
 D942,098 S * 1/2022 Xing D32/17
 2004/0010950 A1 1/2004 Leung et al.
 2006/0018638 A1 1/2006 Leung
 2010/0024492 A1 2/2010 Leung
 2010/0269287 A1 10/2010 Vrdoljak et al.
 2011/0219646 A1 * 9/2011 Vrdoljak D06F 75/30
 38/77.8
 2013/0111777 A1 5/2013 Jeong
 2013/0232713 A1 9/2013 Luedke et al.
 2015/0082839 A1 3/2015 Holm
 2015/0128664 A1 5/2015 Date et al.
 2015/0354128 A1 12/2015 Choo et al.
 2016/0053430 A1 2/2016 Chua et al.
 2016/0160434 A1 6/2016 Chua et al.
 2016/0168778 A1 6/2016 Wadhwa et al.
 2016/0194816 A1 7/2016 Chua et al.
 2017/0260685 A1 9/2017 Fung
 2018/0142883 A1 5/2018 Wadhwa et al.
 2018/0371684 A1 12/2018 Ong et al.
 2020/0362505 A1 11/2020 Razouki

OTHER PUBLICATIONS

International Search Report dated Feb. 4, 2021 from corresponding International Patent Application No. PCT/2020/059269, 2 pages.
 Written Opinion dated Feb. 4, 2021 from corresponding International Patent Application No. PCT/2020/059269, 5 pages.
 Handheld Fabric Steamer; <https://www.walmart.com/ip/Conair-ExtremeSteam-Hand-Held-Fabric-Steamer-with-Dual-Heat-White-Blue-Model-GS237/588827857> (Year: 2016).

* cited by examiner

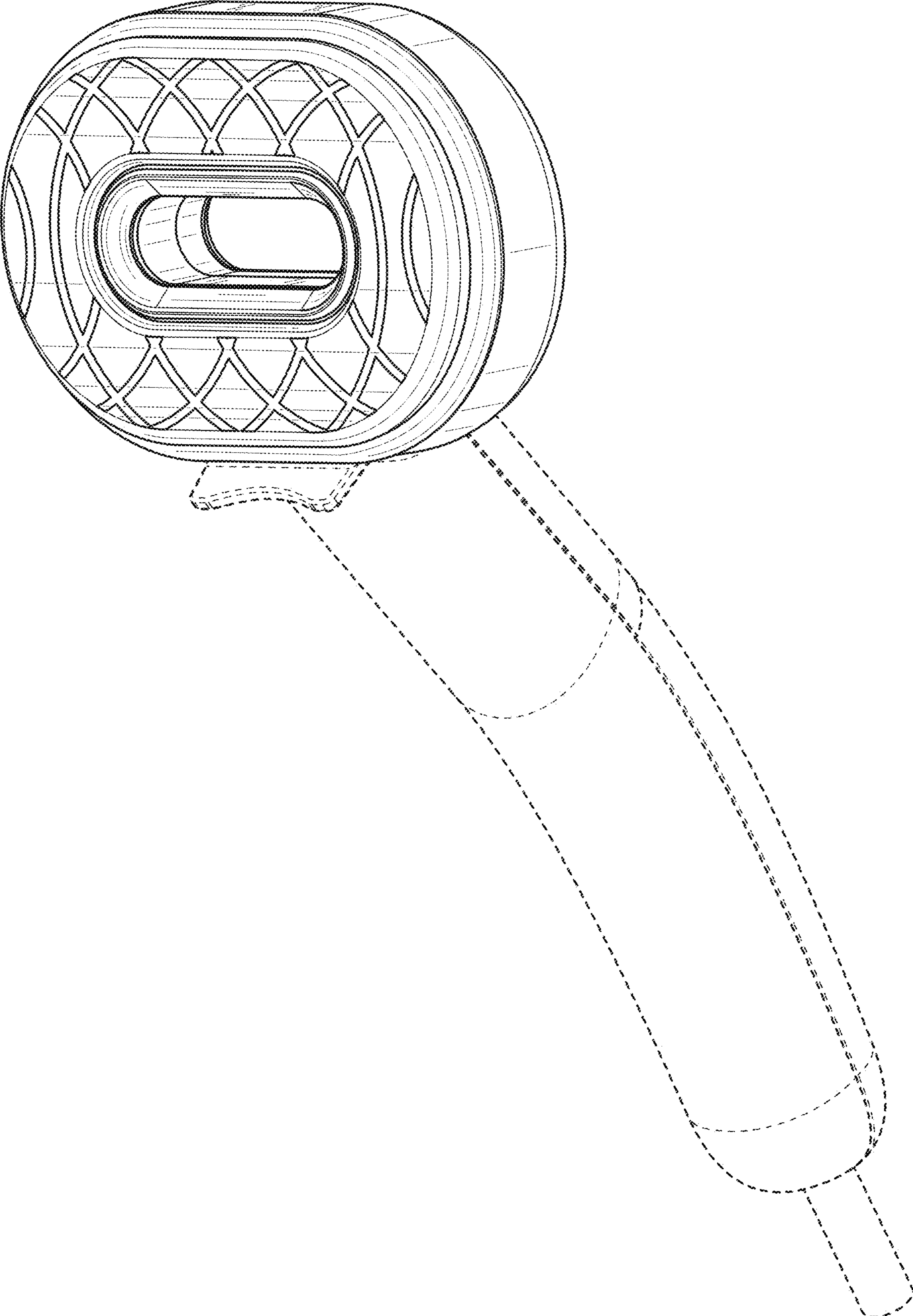


FIG. 1

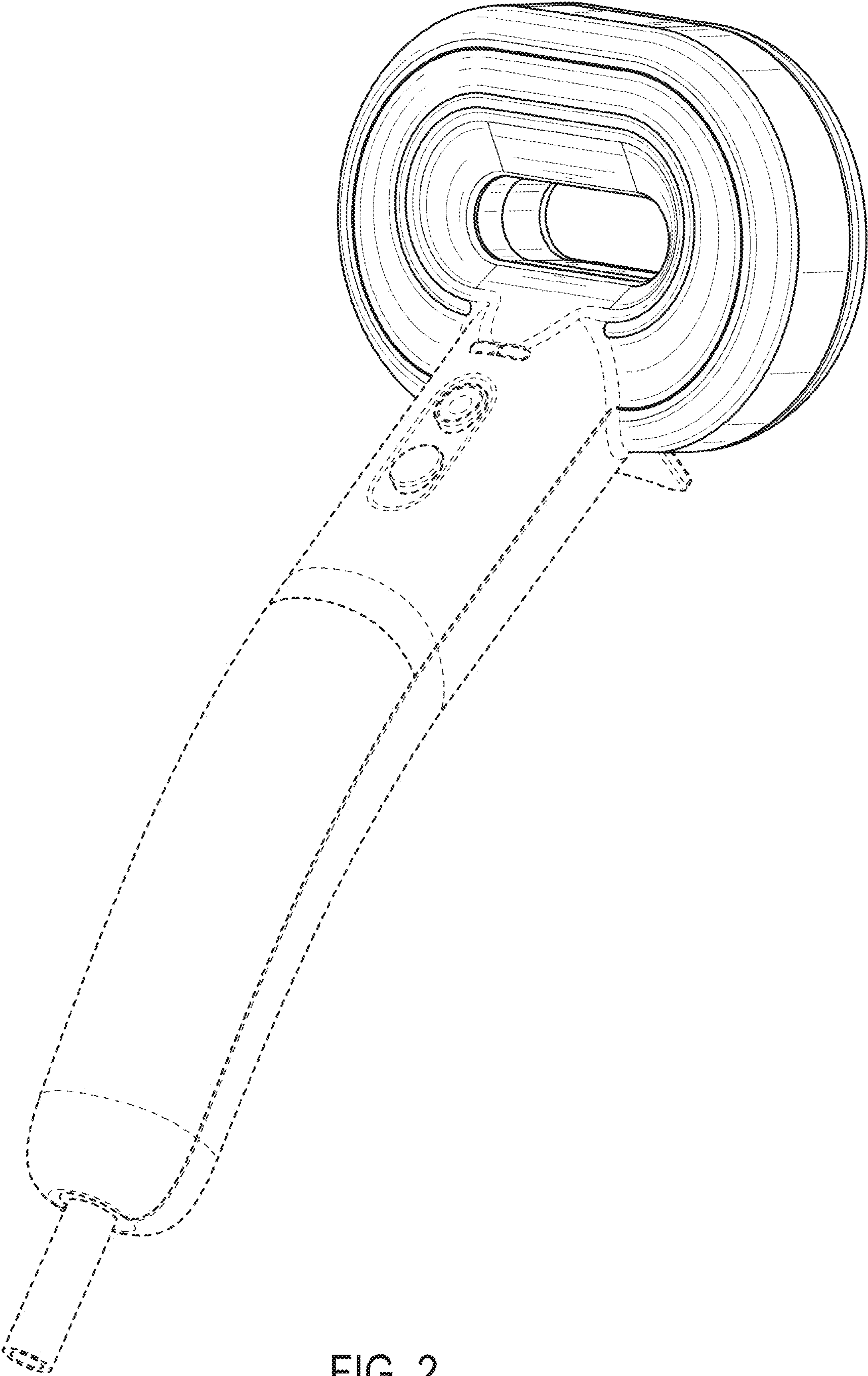


FIG. 2

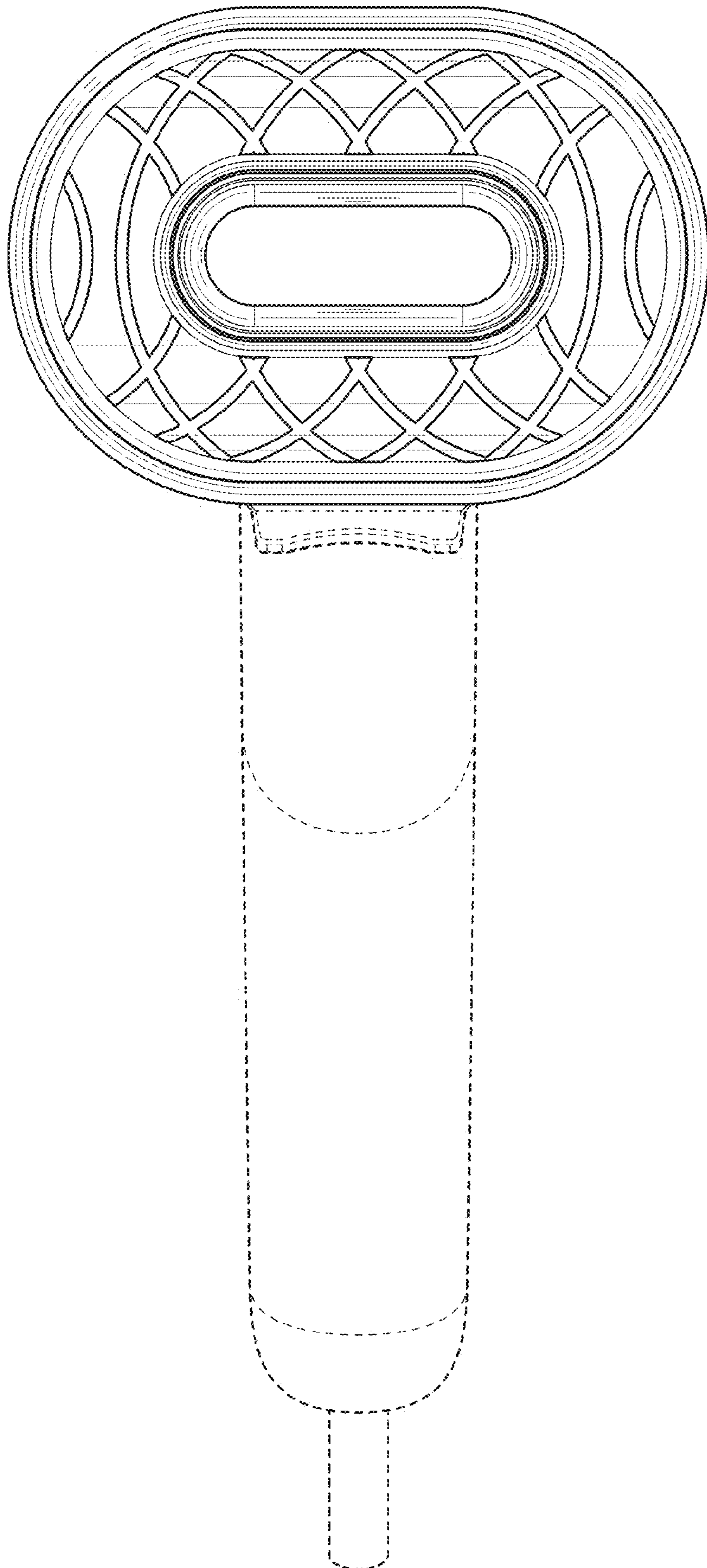


FIG. 3

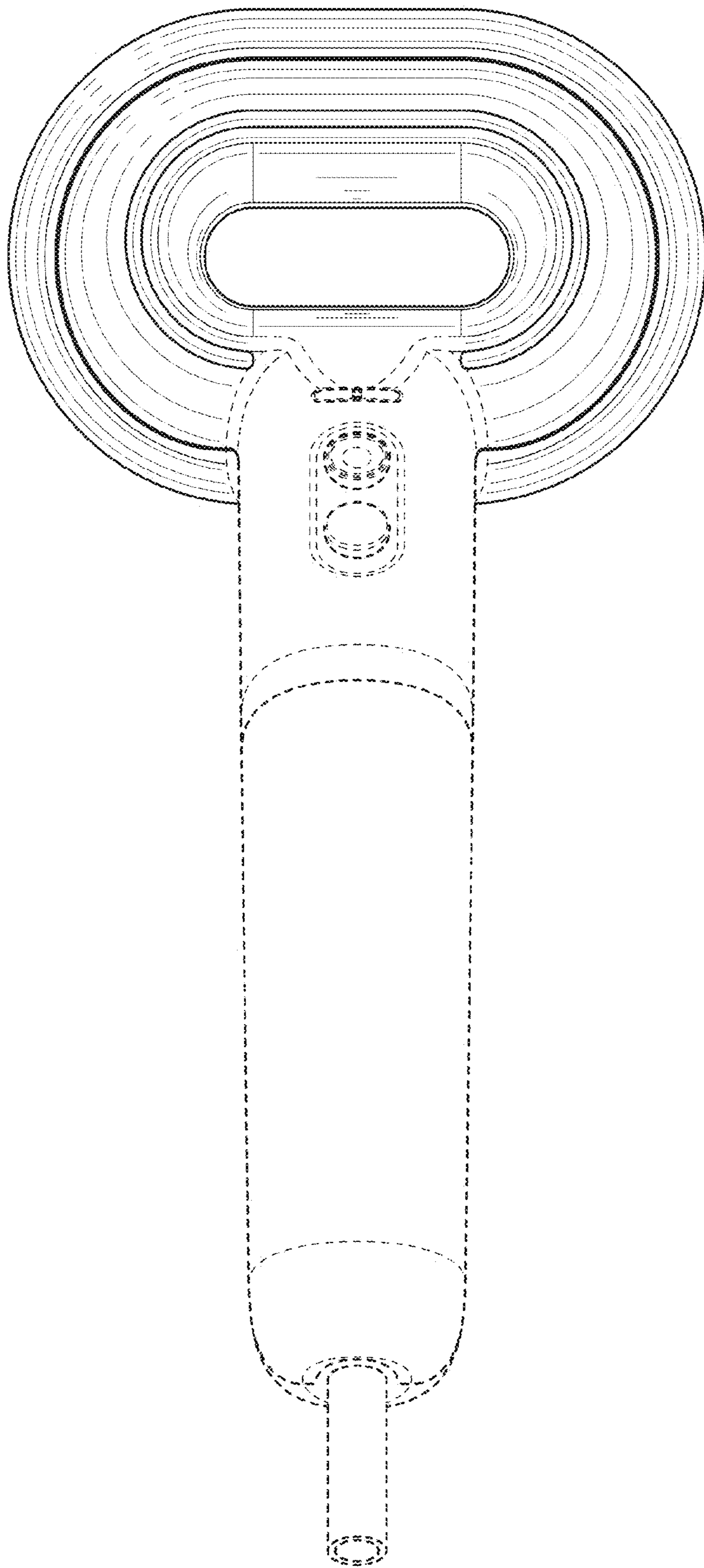


FIG. 4

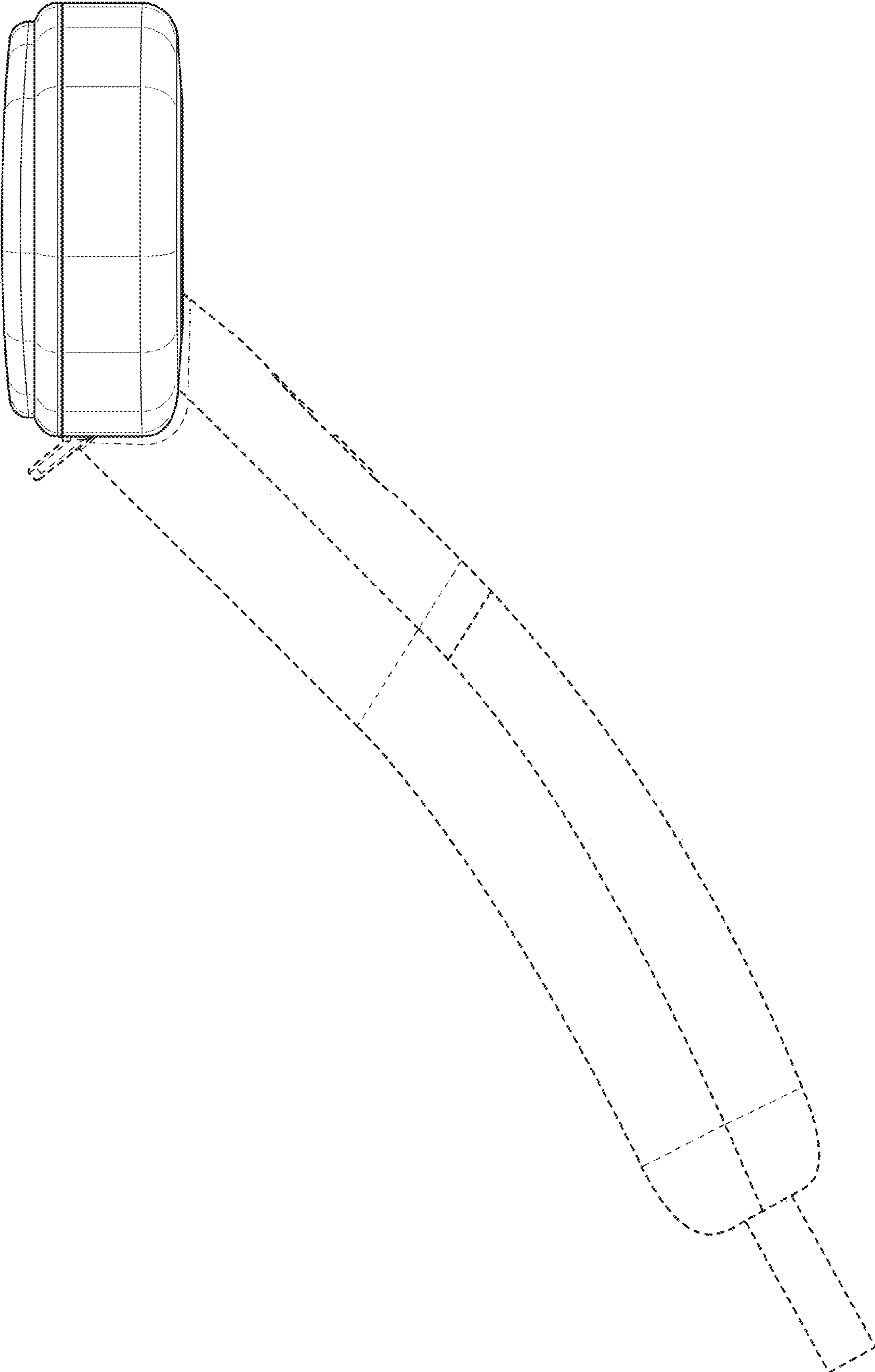


FIG. 5

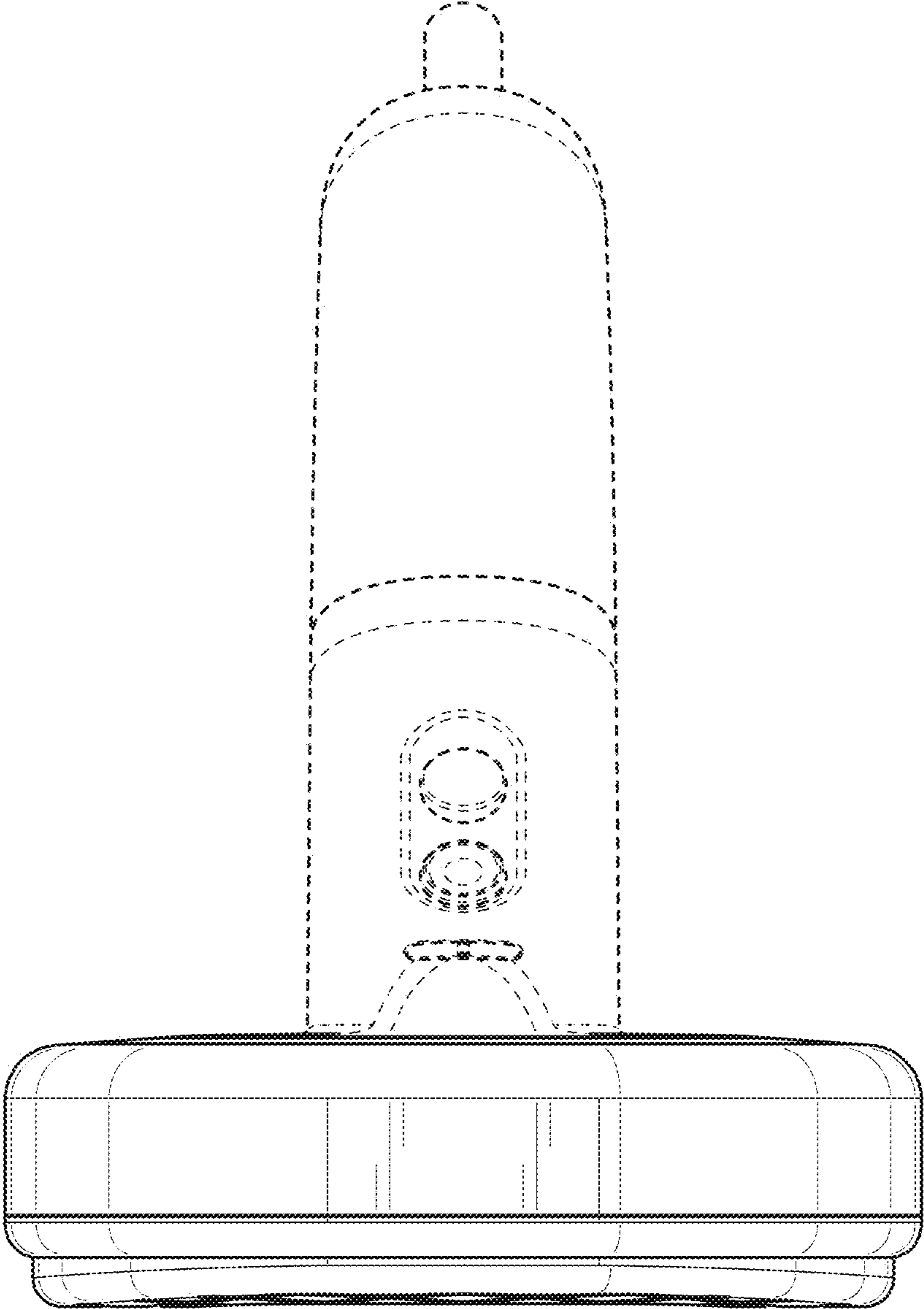


FIG. 6

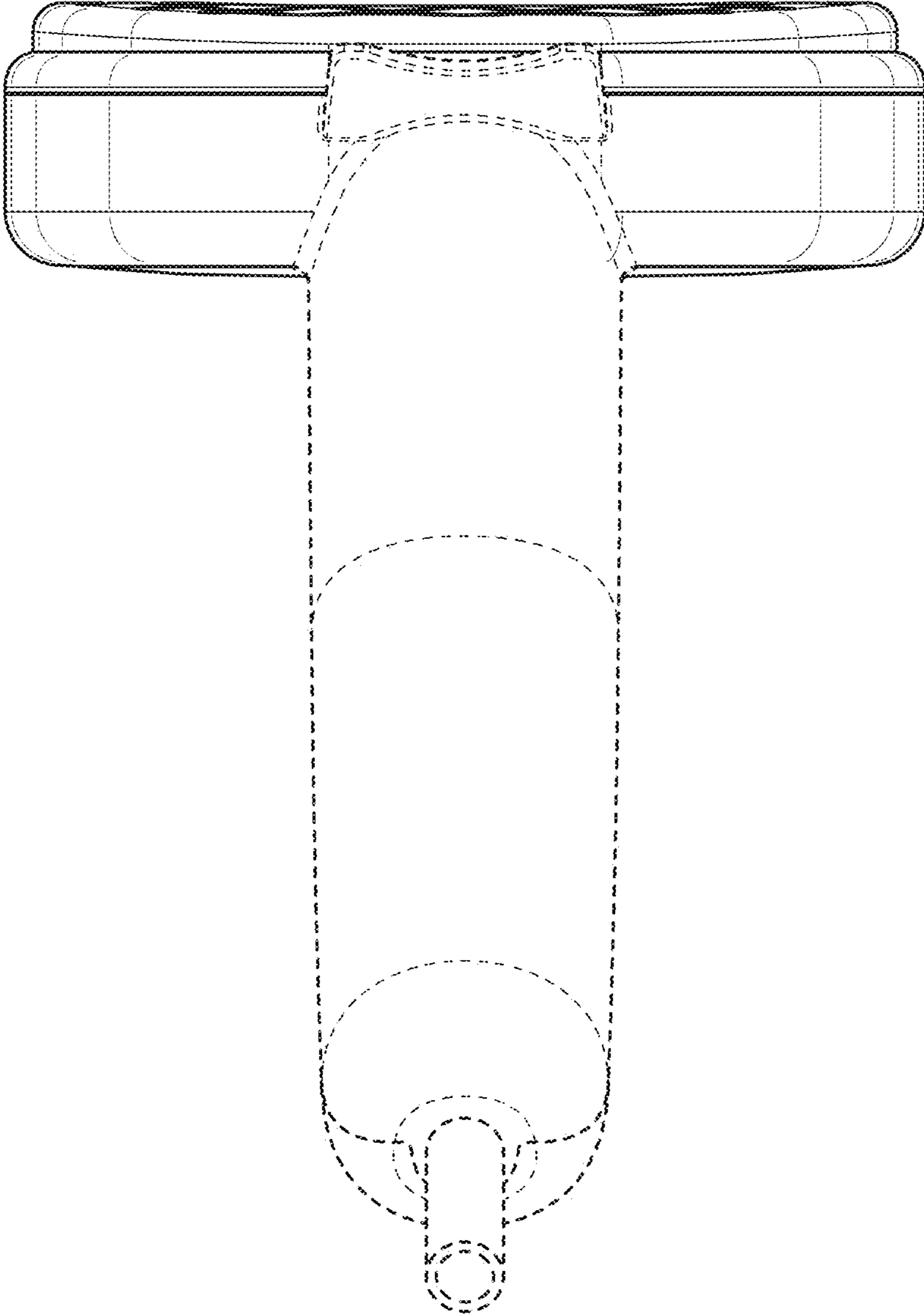


FIG. 7