



US00D959763S

(12) **United States Design Patent**
Yan et al.

(10) **Patent No.:** **US D959,763 S**
(45) **Date of Patent:** **** Aug. 2, 2022**

(54) **TWO-IN-ONE PET COMB**

(71) Applicant: **SUZHOU SHENGLANG PLASTIC ELECTRIC CO., LTD.**, Jiangsu (CN)

(72) Inventors: **Yongkang Yan**, Jiangsu (CN);
Changzhou Yan, Jiangsu (CN)

(73) Assignee: **Suzhou Shenglang Plastic Electric Co., Ltd.**, Suzhou (CN)

(**) Term: **15 Years**

(21) Appl. No.: **29/762,841**

(22) Filed: **Dec. 18, 2020**

(30) **Foreign Application Priority Data**

Nov. 17, 2020 (CN) 202030695282.8

(51) **LOC (13) Cl.** **30-10**

(52) **U.S. Cl.**
USPC **D30/159**

(58) **Field of Classification Search**

USPC D30/158, 199, 162, 106; 119/633, 600, 119/617, 628, 631, 632, 613, 618, 119/619-620, 611, 609; 132/126, 142, 132/219, 212, 149, 150, 159, 161, 163; 30/114, 130, 301, 305, 315, 316, 299, 30/303, 306, 169, 322, 31-30, 279.2, 280, 30/287, 294, 199, 329-344, 346.56, 30/346.61, 355, 357; D7/672-676, 687, D7/686, 634, 619, 688, 653, 395; 425/268; D4/136, 124-127, 116-118, D4/199, 194; D32/42, 25, 46; 172/379-380; 15/142, 236.07, 236.08, 15/236.05, 159.1, 160, 171, 176.1, 15/236.01, 236.02; 601/137, 136, 80, 93, 601/95, 97, 103, 138; D8/1, 33, 40, 41, D8/80, 94, 97, 98, 105, 107, 300-303

CPC A01K 13/00; A01K 13/002; B26B 19/24; B26B 19/63; B26B 19/00; B26B 19/02; B26B 19/04; B26B 19/06; B26B 19/10; B26B 19/20; B26B 19/22; B26B 19/28;

B26B 19/38; B26B 19/382; B26B 19/3813; B26B 19/3846; B26B 21/16; B26B 21/18521; B26B 21/4075; B26B 21/522; B26B 21/00; B26B 21/12; B26B 21/125; B26B 21/4006; B26B 21/52; B26B 21/56; B26B 21/565; B26B 21/525; B26B 21/528; B26B 15/00; B26B 13/22; B26B 13/24; B26B 13/26; A45D 24/30; A45D 24/00; A45D 24/04; A45D 24/06; A45D 24/10;

(Continued)

(56) **References Cited**

U.S. PATENT DOCUMENTS

D899,713 S * 10/2020 Lu D30/158
D932,714 S * 10/2021 Favia D30/159

(Continued)

Primary Examiner — Abraham Bahta

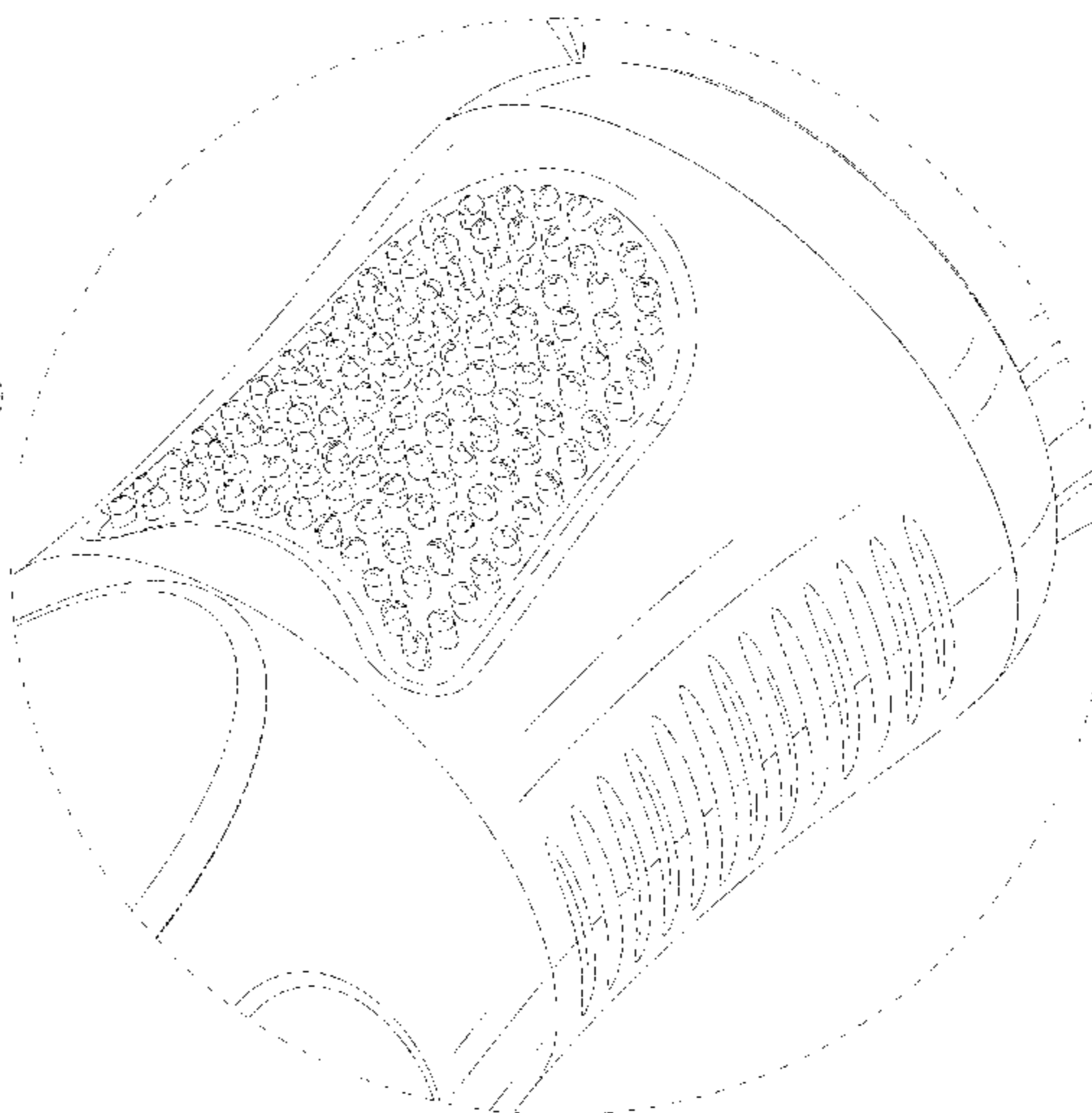
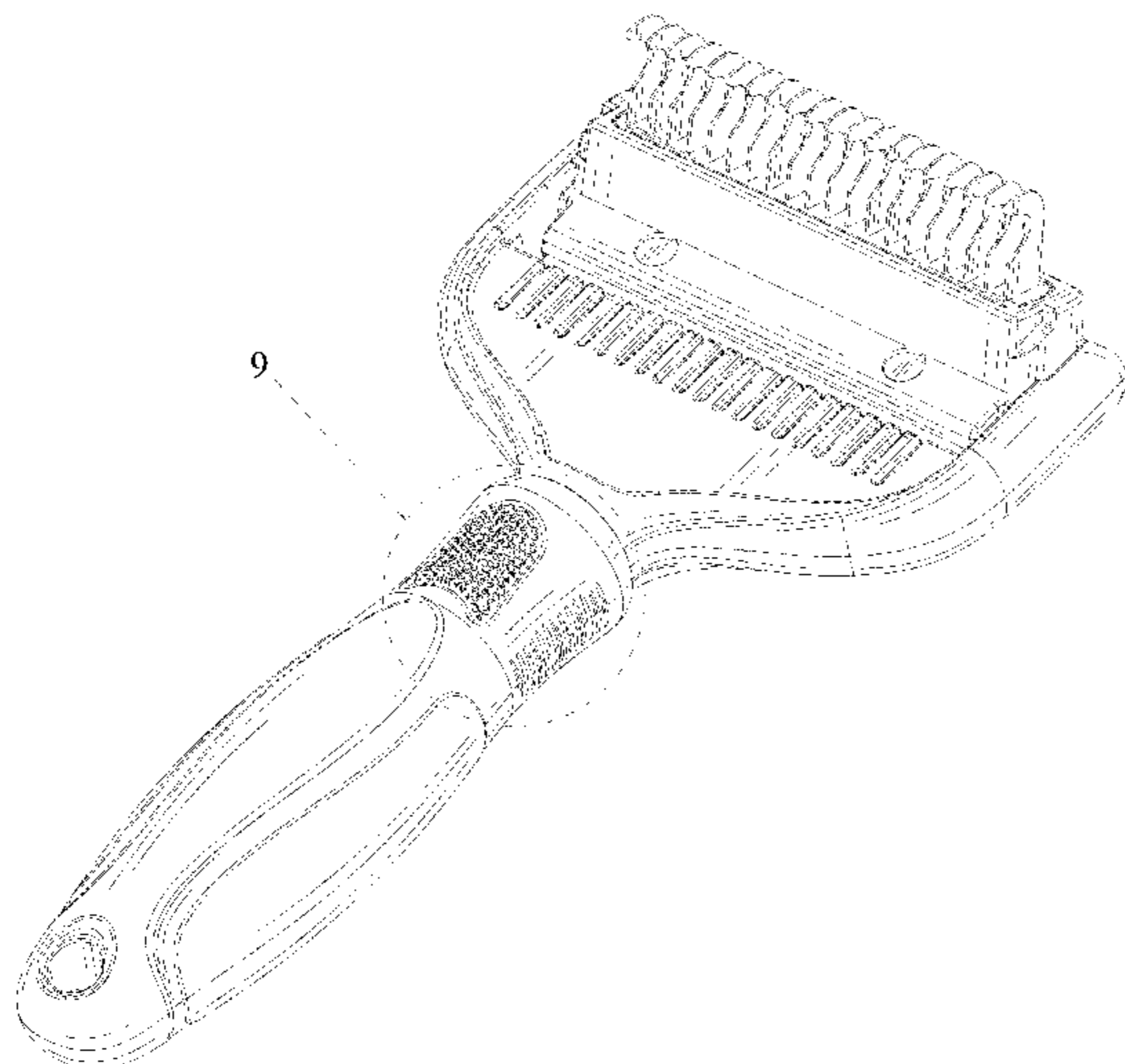
(57) **CLAIM**

The ornamental design for a two-in-one pet comb, as shown and described.

DESCRIPTION

FIG. 1 is a perspective view of a two-in-one pet comb showing our new design; FIG. 2 is another perspective view thereof; FIG. 3 is a front view thereof; FIG. 4 is a back view thereof; FIG. 5 is a left view thereof; FIG. 6 is a right view thereof; FIG. 7 is an enlarged top view thereof; FIG. 8 is an enlarged bottom view thereof; FIG. 9 is a partially enlarged view of FIG. 1; and, FIG. 10 is a partially enlarged view of FIG. 2. The broken lines shown on the drawings depict portions of the two-in-one pet comb that form no part of the claimed design.

1 Claim, 10 Drawing Sheets



(58) **Field of Classification Search**

CPC A45D 24/36; A45D 24/02; A45D 24/40;
A45D 24/44; A45D 2024/345; A46B
5/02; A46B 5/021; A46B 5/026; A46B
5/028

See application file for complete search history.

(56) **References Cited**

U.S. PATENT DOCUMENTS

D939,222 S * 12/2021 Brandt D4/138
D939,787 S * 12/2021 Yan D30/158
D942,711 S * 2/2022 Zhang D30/158

* cited by examiner

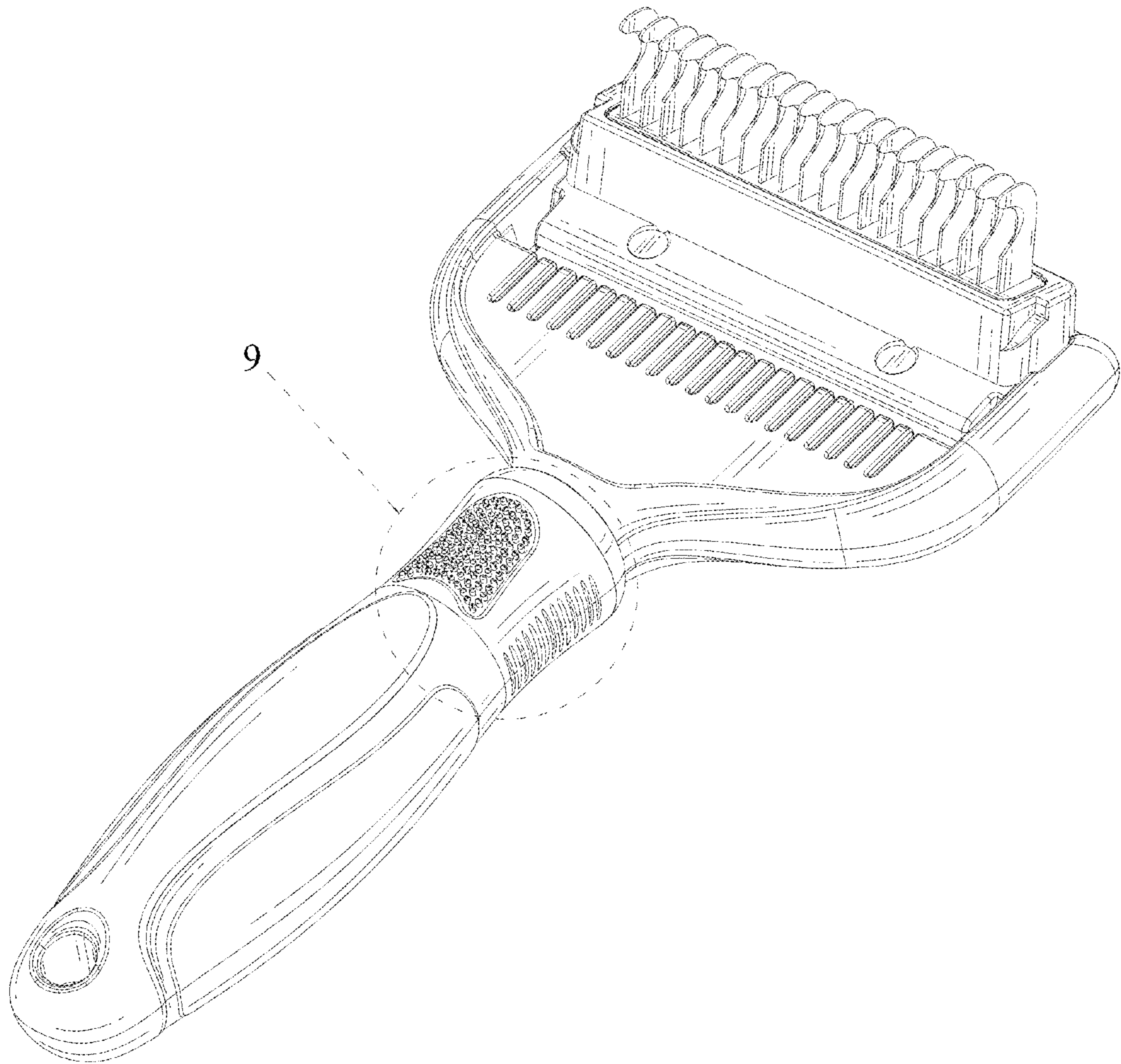


FIG. 1

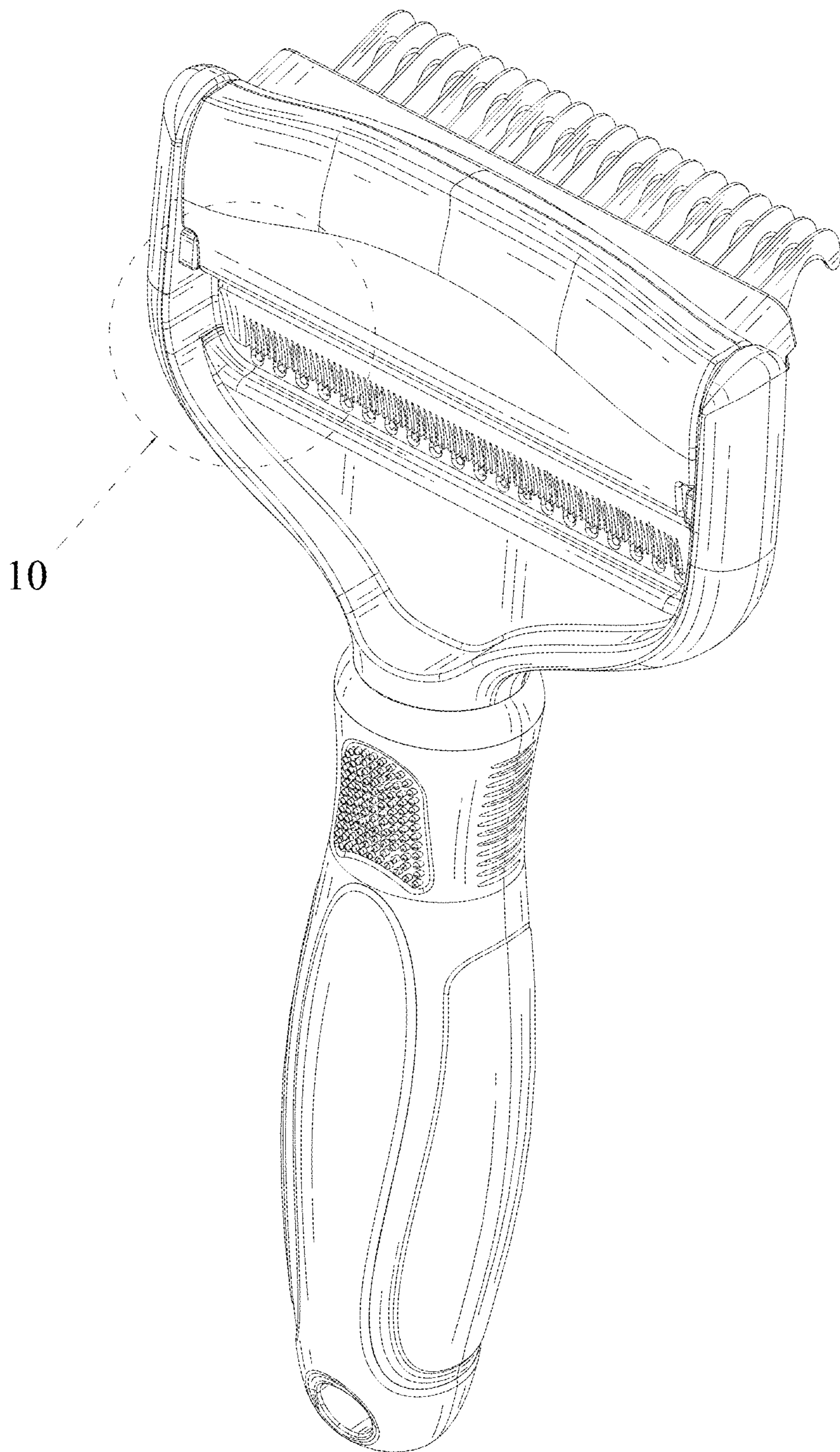


FIG. 2

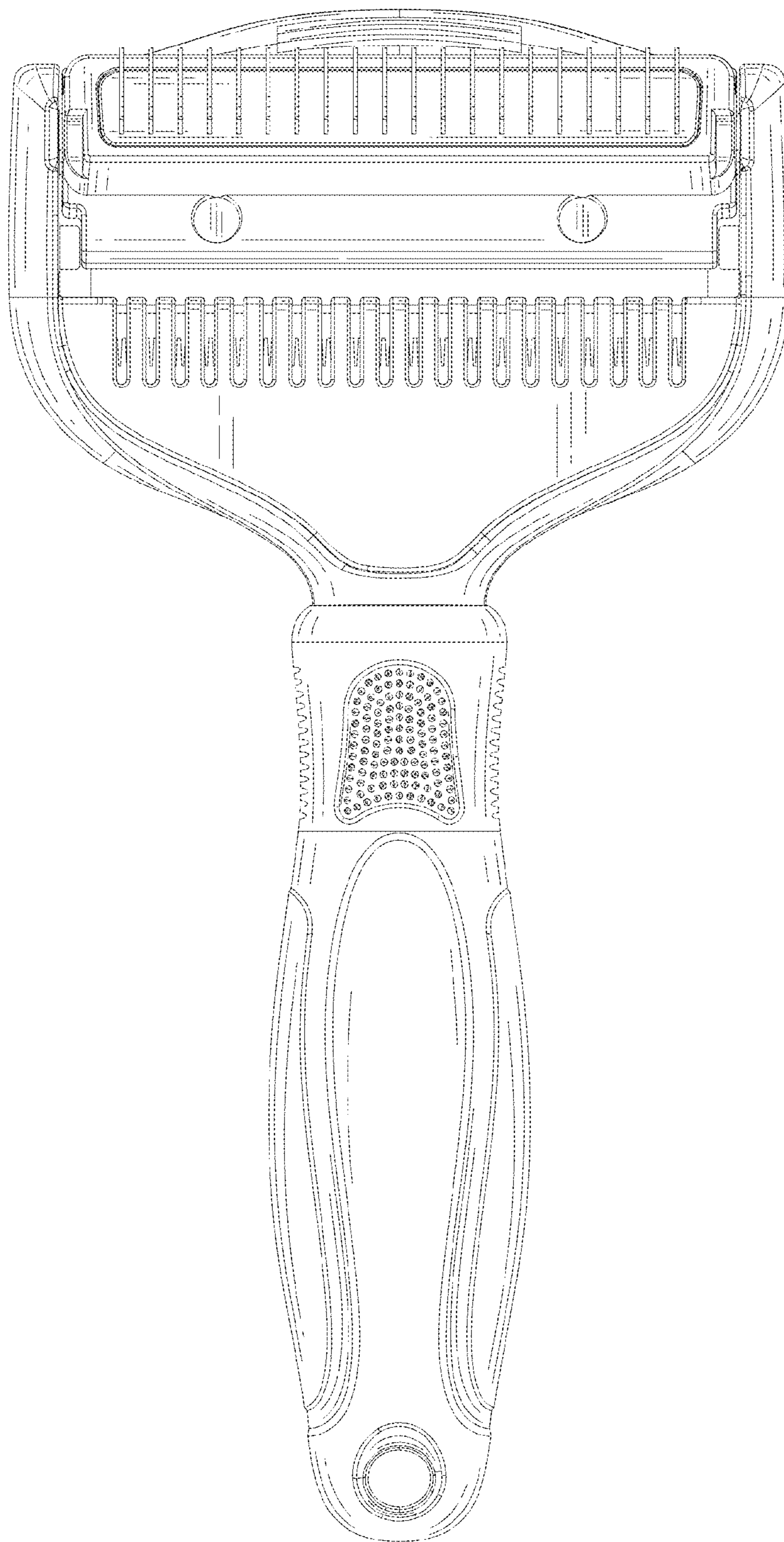


FIG. 3

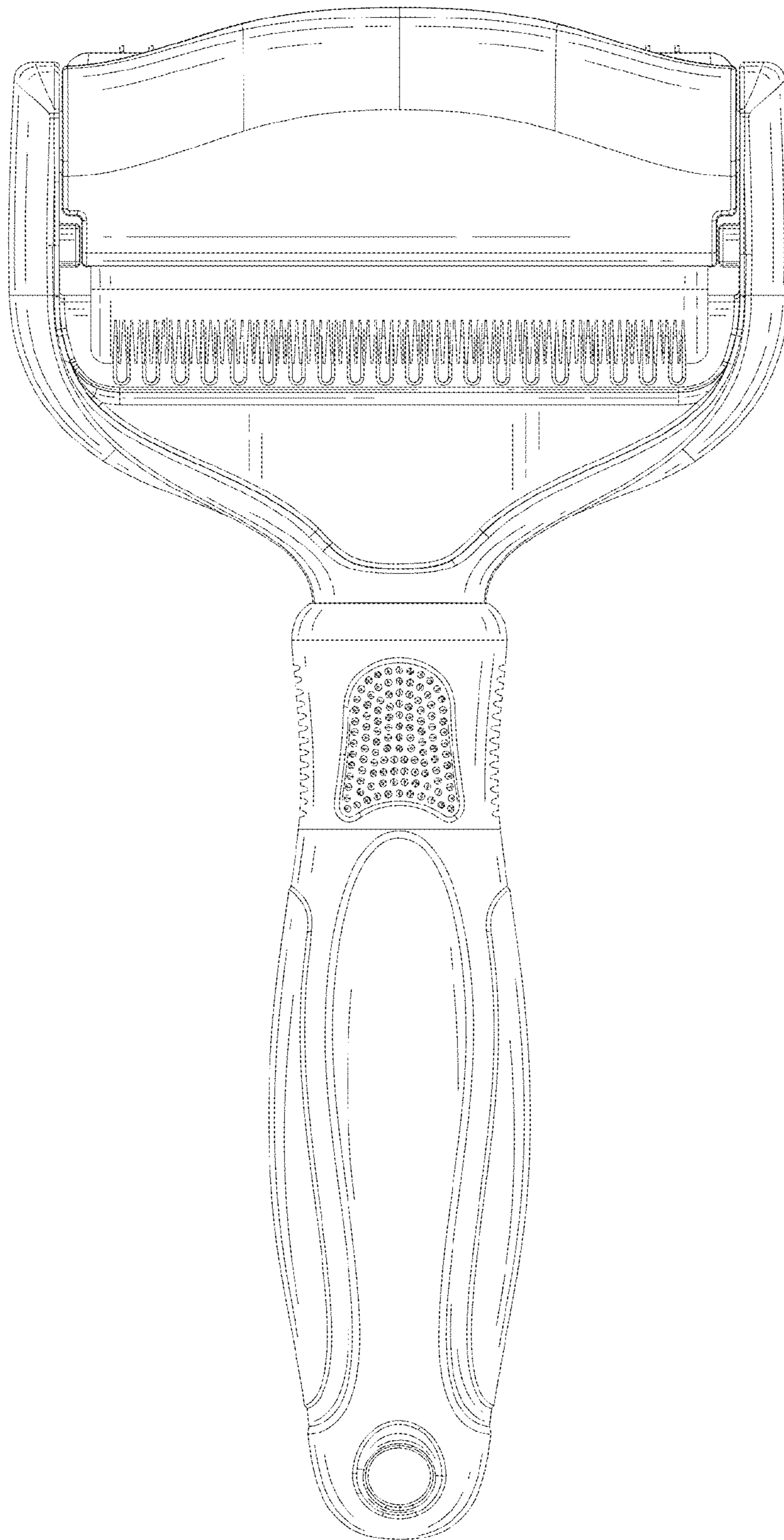


FIG. 4

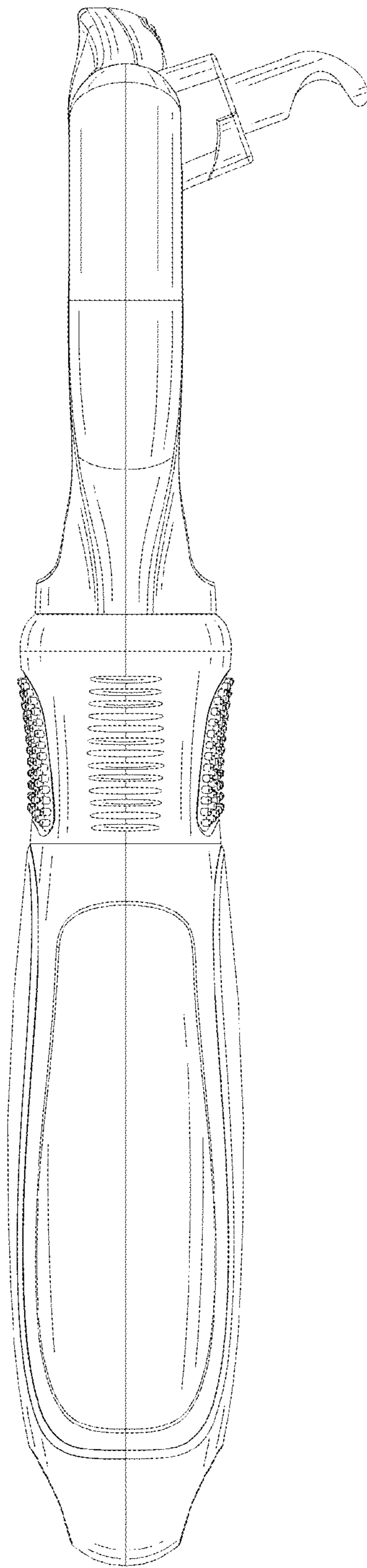


FIG. 5

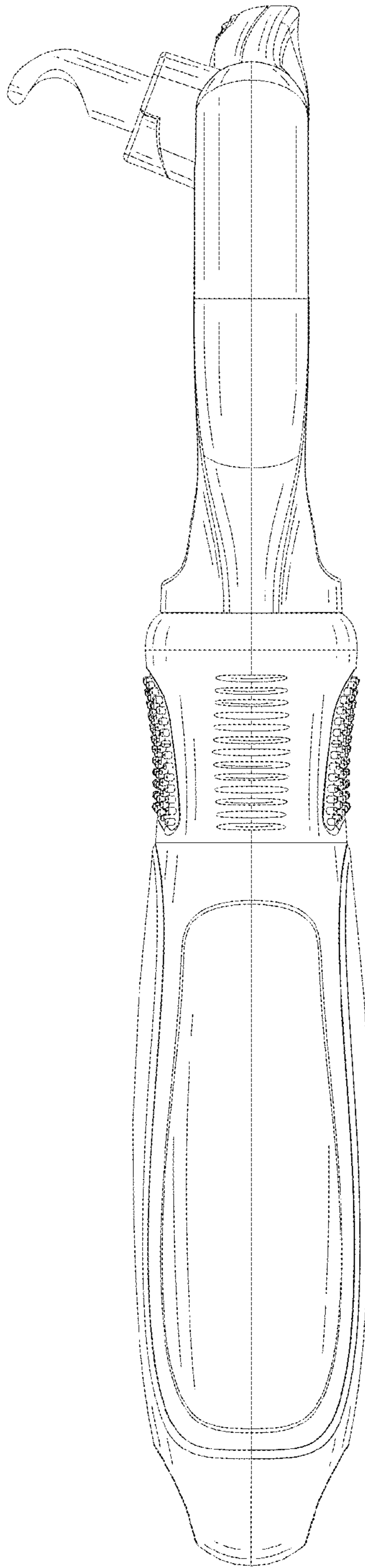


FIG. 6

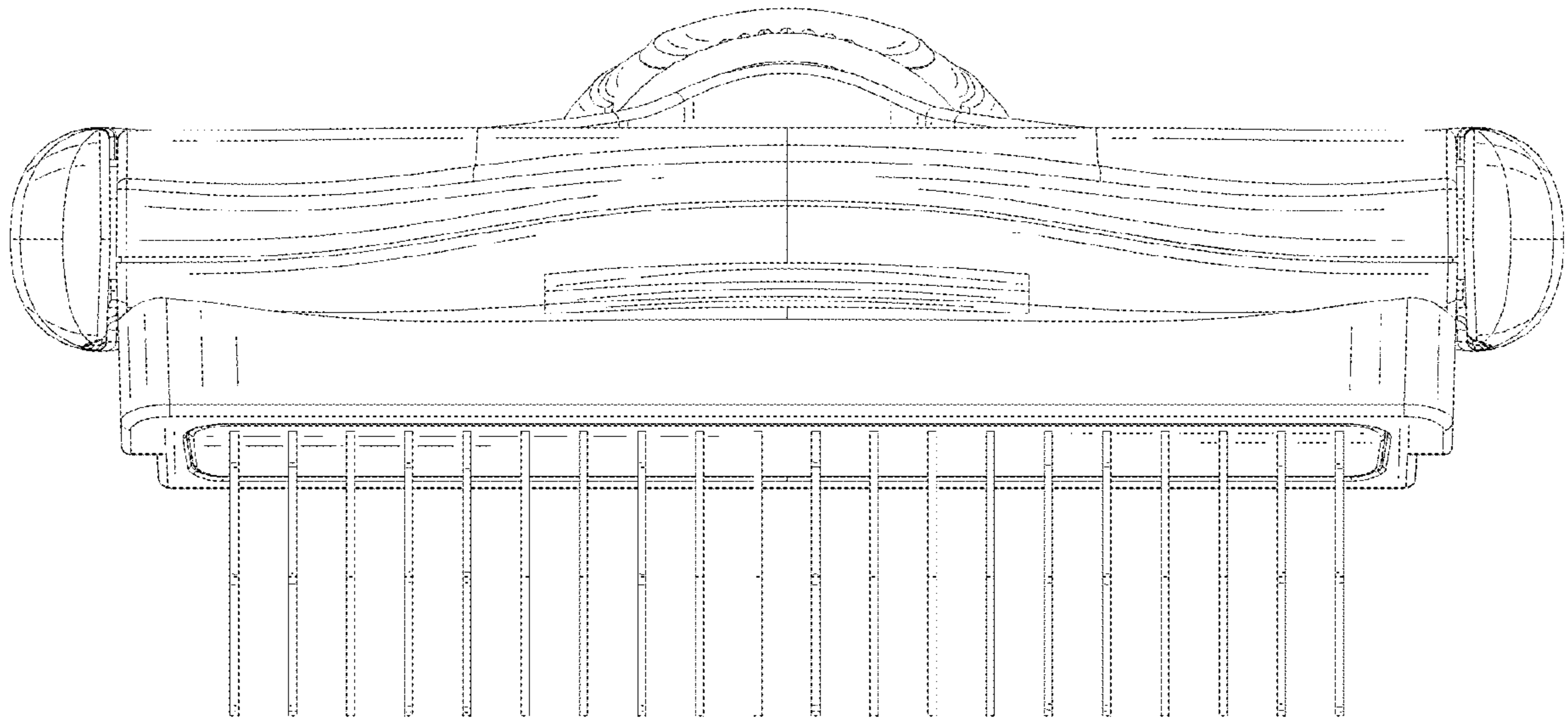


FIG. 7

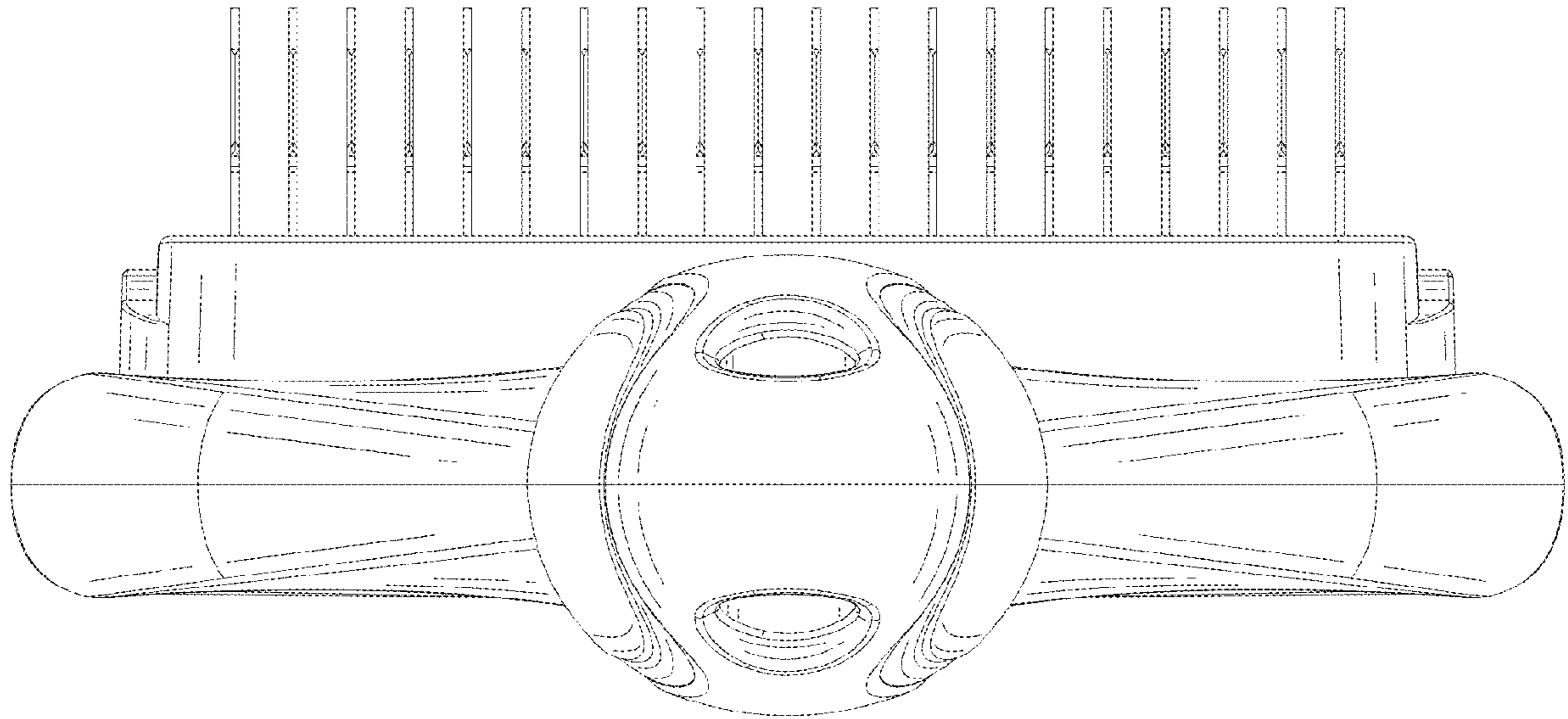


FIG. 8

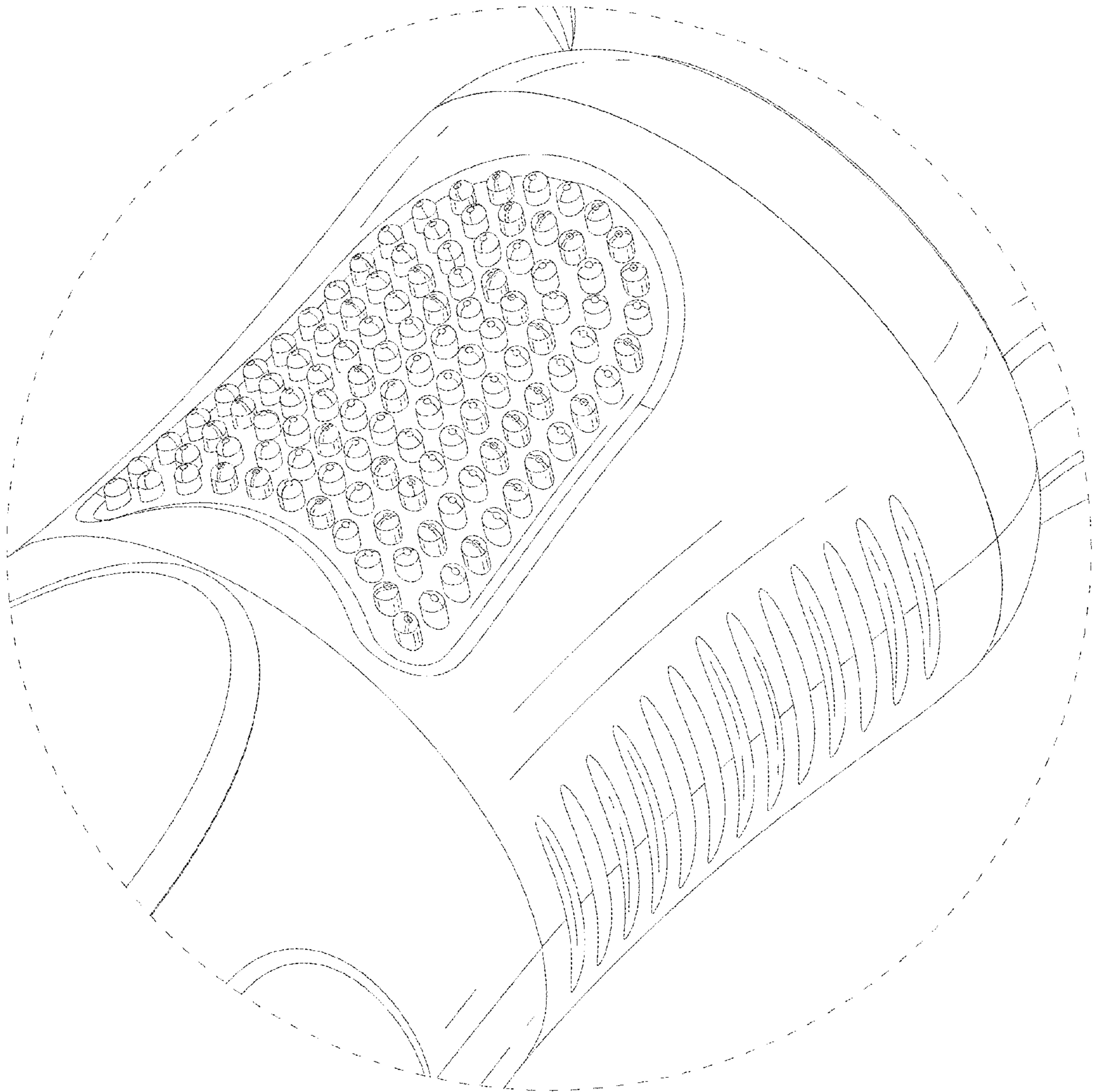


FIG. 9

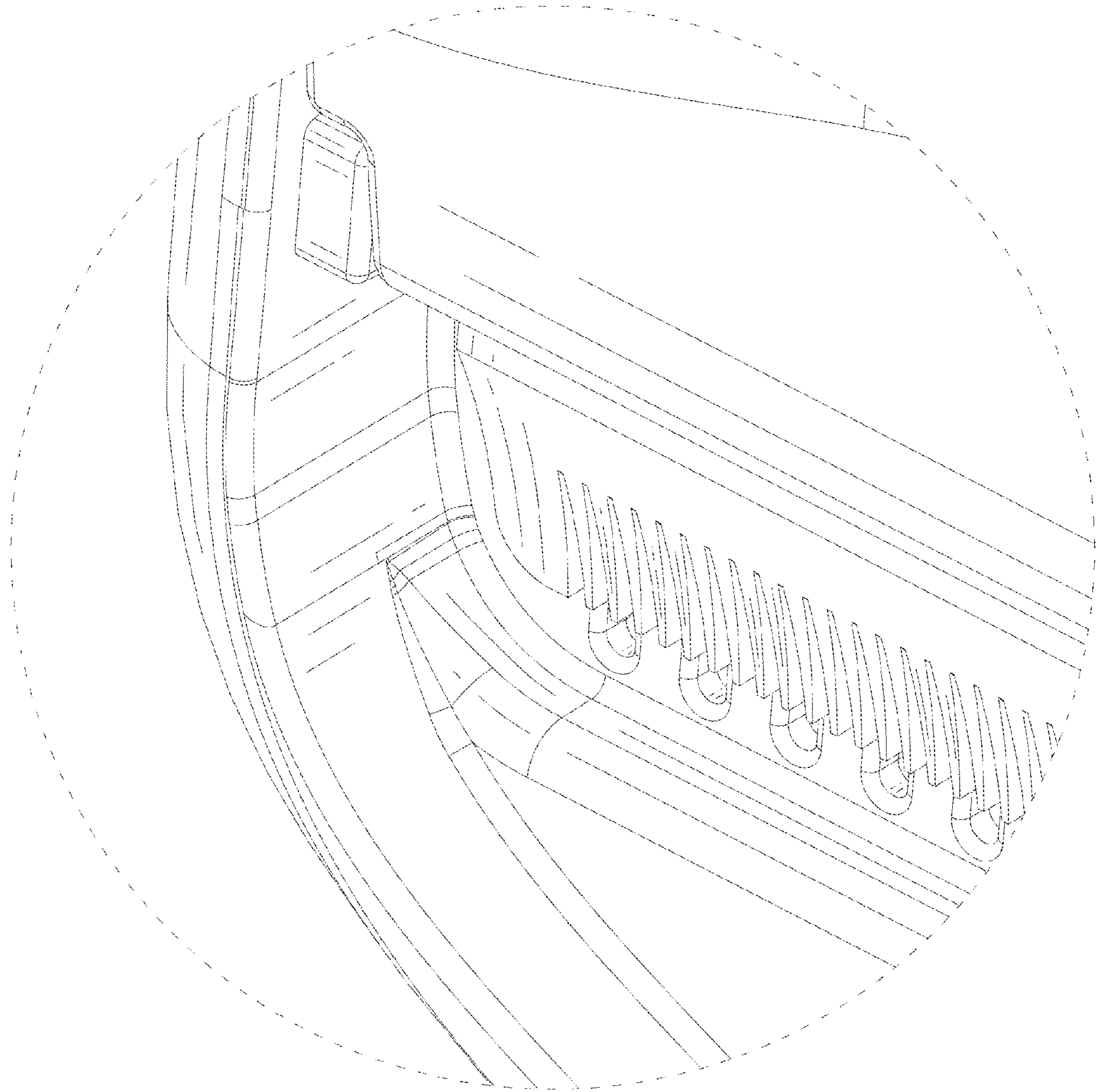


FIG. 10