



US00D959761S

(12) **United States Design Patent** (10) **Patent No.:** **US D959,761 S**
Bates (45) **Date of Patent:** **** Aug. 2, 2022**

(54) **STIRRUP LEATHER FOR AN EQUESTRIAN SADDLE**

D418,274 S * 1/2000 Sartel D2/624
D428,237 S * 7/2000 Murdock D2/627
D872,969 S * 1/2020 Stewart D3/226
D917,109 S * 4/2021 Baghai D30/134

(71) Applicant: **Hammersmith Nominees Pty Ltd,**
West Perth (AU)

(72) Inventor: **Ronald Gordon Bates,** West Perth
(AU)

(73) Assignee: **Hammersmith Nominees Pty Ltd,**
West Perth (AU)

(**) Term: **15 Years**

(21) Appl. No.: **29/707,060**

(22) Filed: **Sep. 25, 2019**

(30) **Foreign Application Priority Data**

Mar. 25, 2019 (AU) 201911620

(51) **LOC (13) Cl.** **30-01**

(52) **U.S. Cl.**
USPC **D30/134**

(58) **Field of Classification Search**
USPC D2/627, 628, 629, 633; D30/134-142,
D30/152
CPC B68C 1/16; B68C 3/00
See application file for complete search history.

(56) **References Cited**

U.S. PATENT DOCUMENTS

1,335,826 A * 4/1920 Faithfull B68C 1/16
54/46.2
2,661,888 A * 12/1953 Sidlinger A62B 35/0031
D30/152
D346,482 S * 5/1994 Merrill D2/627
D360,452 S * 7/1995 Gessler D8/382
D399,635 S * 10/1998 Knight D30/152

OTHER PUBLICATIONS

22mm NATO Straps—leather reinforced holes on MyWatchMart
Nov. 15, 2019, viewed by Examiner Mar. 17, 2022. Available at
URL: <https://www.mywatchmart.com/listing/429438-22mm-nato-straps-leather-reinforced-holes/>*

(Continued)

Primary Examiner — Jennifer L Watkins

(74) *Attorney, Agent, or Firm* — Banner & Witcoff, Ltd.

(57) **CLAIM**

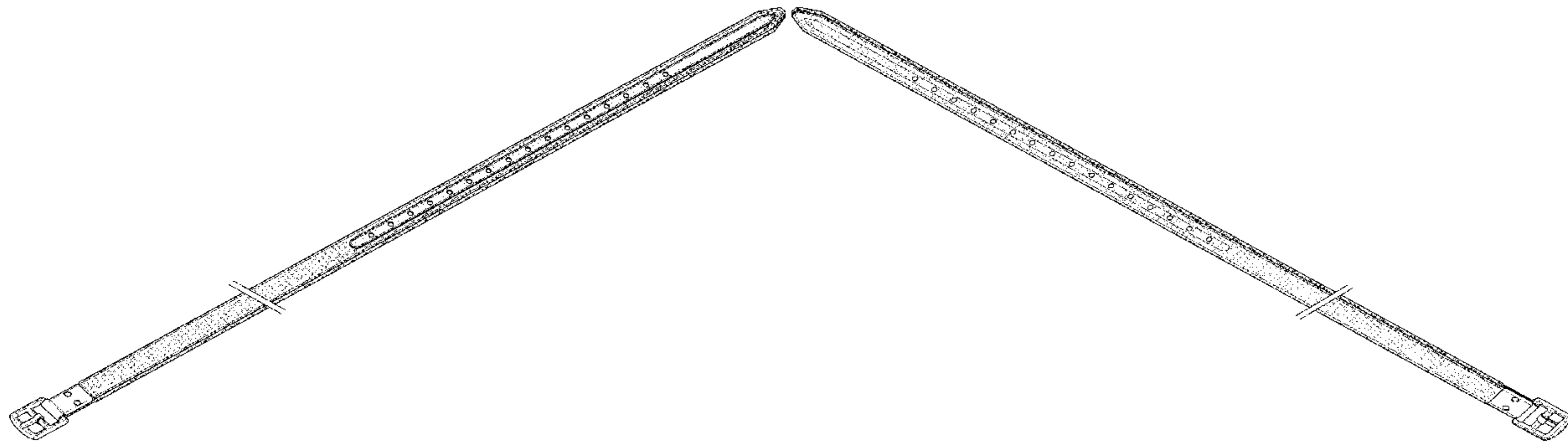
The ornamental design for a stirrup leather for an equestrian saddle, as shown and described.

DESCRIPTION

FIG. 1 is a front top perspective view of a stirrup leather for an equestrian saddle showing my new design;
FIG. 2 is a rear bottom perspective view thereof;
FIG. 3 is a top view thereof;
FIG. 4 is a bottom view thereof;
FIG. 5 is a side view thereof;
FIG. 6 is an opposite side view thereof;
FIG. 7 is a front view thereof; and,
FIG. 8 is a rear view thereof.

The even-length broken lines represent stitching which form no part of the claimed design. The dash dot dash broken lines depict a symbolic break in the length of the article and form no part of the claim. The appearance of any portion between the symbolic break lines forms no part of the claimed design. The contrast of stippling density between the stirrup leather and the stirrup accent panel on the top surface represents a contrast of appearance.

1 Claim, 5 Drawing Sheets



(56)

References Cited

OTHER PUBLICATIONS

Mademoiselle Nylon Lined Stirrup Leathers by CWD—Britanny Bouchard: Northern New England on facebook. posted Jan. 10, 2022. Viewed by examiner Mar. 17, 2022. Available at URL: <https://www.facebook.com/CWD-Britanny-Bouchard-Northern-New-England-464578720375706/>.*

Synthetic Stirrup Leathers on sstack.com Schneiders. Reviews dating back 10 years, 2012. Viewed by Examiner Mar. 17, 2022. Available at URL: <https://www.sstack.com/synthetic-stirrup-leathers/p/16759/>.*

* cited by examiner

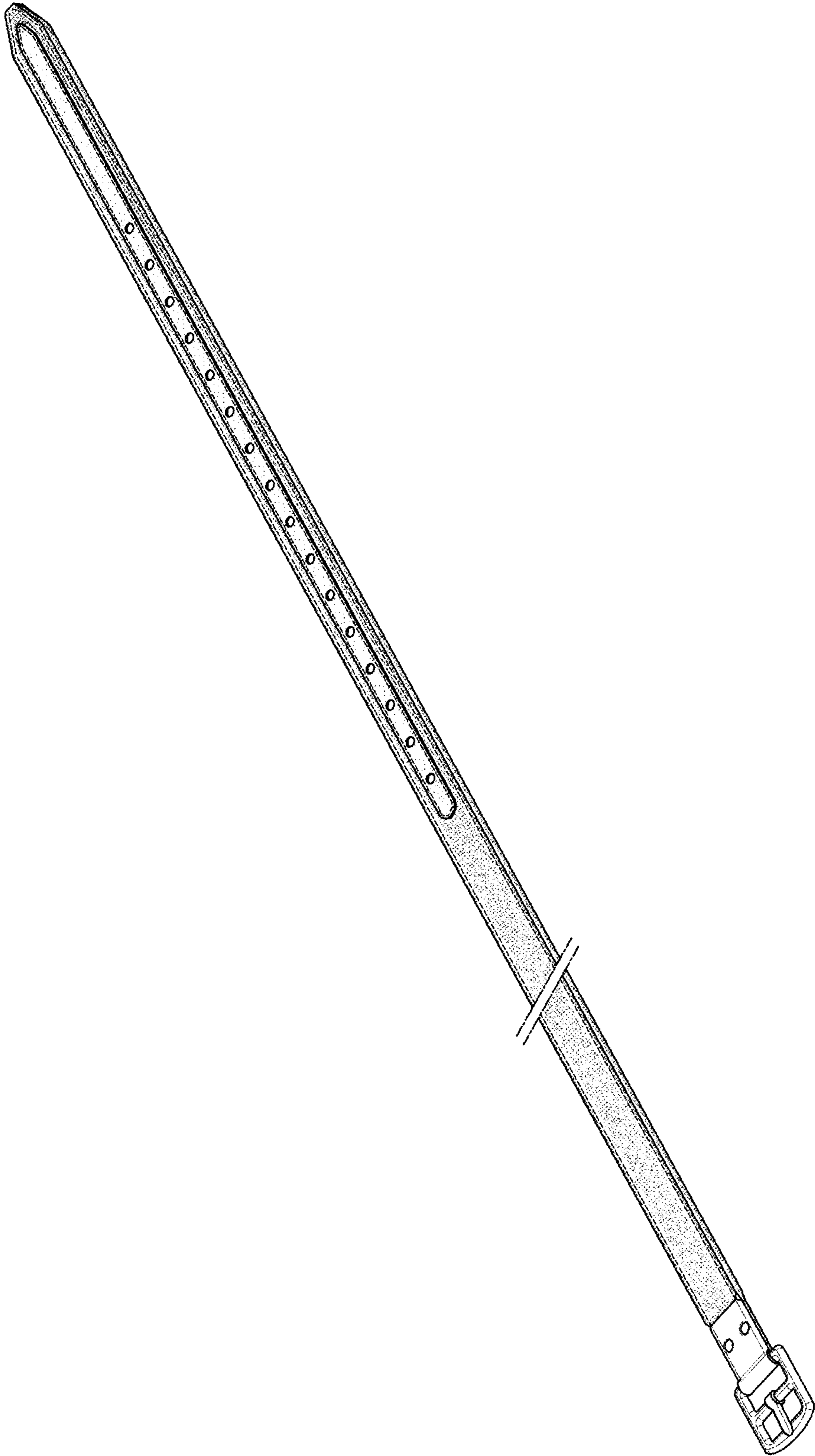


FIG. 1

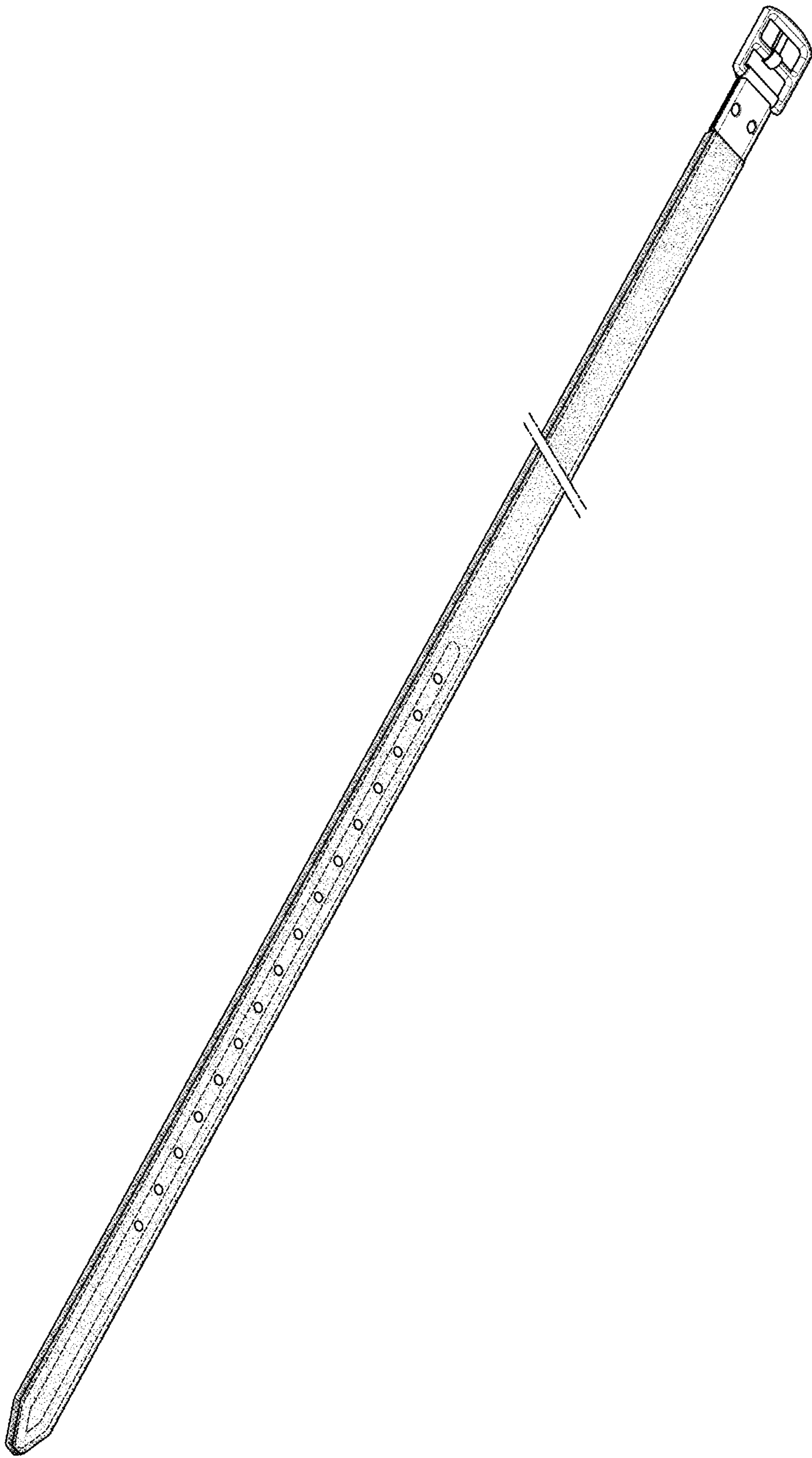


FIG. 2

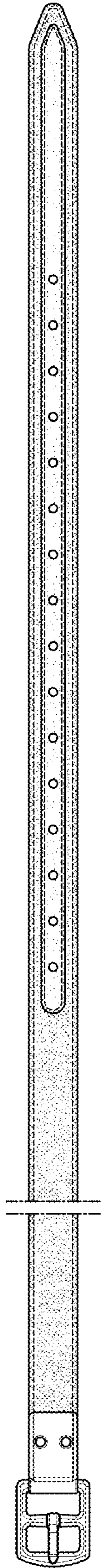


FIG. 3

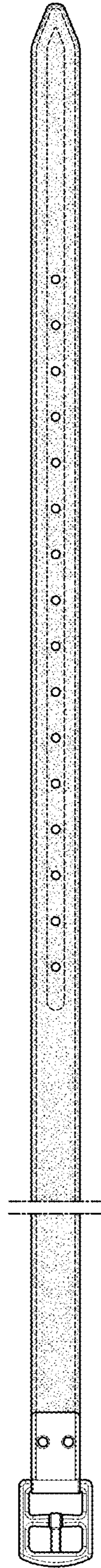


FIG. 4

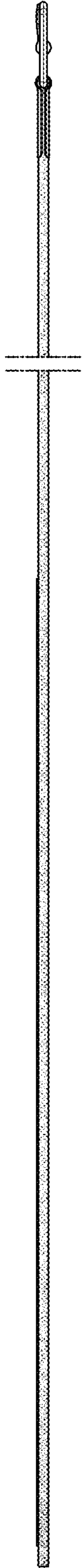


FIG. 5

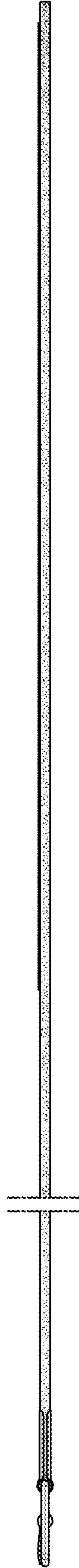


FIG. 6



FIG. 8



FIG. 7