



US00D959758S

(12) **United States Design Patent**  
**Alexander**

(10) **Patent No.:** **US D959,758 S**

(45) **Date of Patent:** **\*\* Aug. 2, 2022**

(54) **ANIMAL FEED BLOCK ELEVATOR**

(71) Applicant: **Buckeye Innovations LLC**, Carrollton, OH (US)

(72) Inventor: **Ryan M Alexander**, Cuyahoga Falls, OH (US)

(73) Assignee: **Buckeye Innovations LLC**, Carrollton, OH (US)

(\*\*) Term: **15 Years**

(21) Appl. No.: **29/681,312**

(22) Filed: **Feb. 25, 2019**

(51) **LOC (13) Cl.** ..... **30-03**

(52) **U.S. Cl.**  
USPC ..... **D30/121**

(58) **Field of Classification Search**

USPC ..... D30/133, 121, 122, 124, 127, 128, 132, D30/131, 114, 119; 119/51.01, 61, 51.04, 119/53, 57.91, 54, 53.5, 52.4, 51.11, 63, 119/61.2, 52.1, 57.5, 57.6, 51.13, 62, 75, 119/500, 501, 521, 57.92, 59, 51.12, 57.1, 119/56.1, 57, 51.03, 58, 60; 239/7, 687, 239/379, 397.5; 222/199, 181.1, 181.2, 222/185.1, 557, 156, 485, 486, 548, 555; 220/200, 227, 247, 262; 221/174, 185.1, 221/289, 295, 296, 559; 454/35; 209/270, 283, 244; 52/194, 192; 49/279, 49/344, 357; D34/28, 38; D6/300,

(Continued)

(56) **References Cited**

**U.S. PATENT DOCUMENTS**

2,030,775 A \* 2/1936 Twiss ..... A47J 47/16  
248/167  
3,897,724 A \* 8/1975 McDonald ..... B65B 27/083  
248/165

(Continued)

**OTHER PUBLICATIONS**

4S Advanced Wildlife Solutions "4S Block Elevator" <https://www.youtube.com/watch?v=aAx5Xkr8Hi8> Jul. 23, 2020 (Year: 2020).\*

*Primary Examiner* — Susan Moon Lee

(74) *Attorney, Agent, or Firm* — Ralph E. Jocke; Walker & Jocke

(57) **CLAIM**

I claim the ornamental design for an animal feed block elevator, as shown and described.

**DESCRIPTION**

FIG. 1 is a front top right perspective view of the animal feed block elevator showing my new design which is shown with the mounting collar in broken lines which form no part of the claim herein.

FIG. 2 is a front bottom right perspective view of the block elevator shown in FIG. 1.

FIG. 3 is a top view of the block elevator shown in FIG. 1.

FIG. 4 is a front view of the block elevator shown in FIG. 1.

FIG. 5 is a left side view of the block elevator shown in FIG. 1.

FIG. 6 is a right side view of the block elevator shown in FIG. 1.

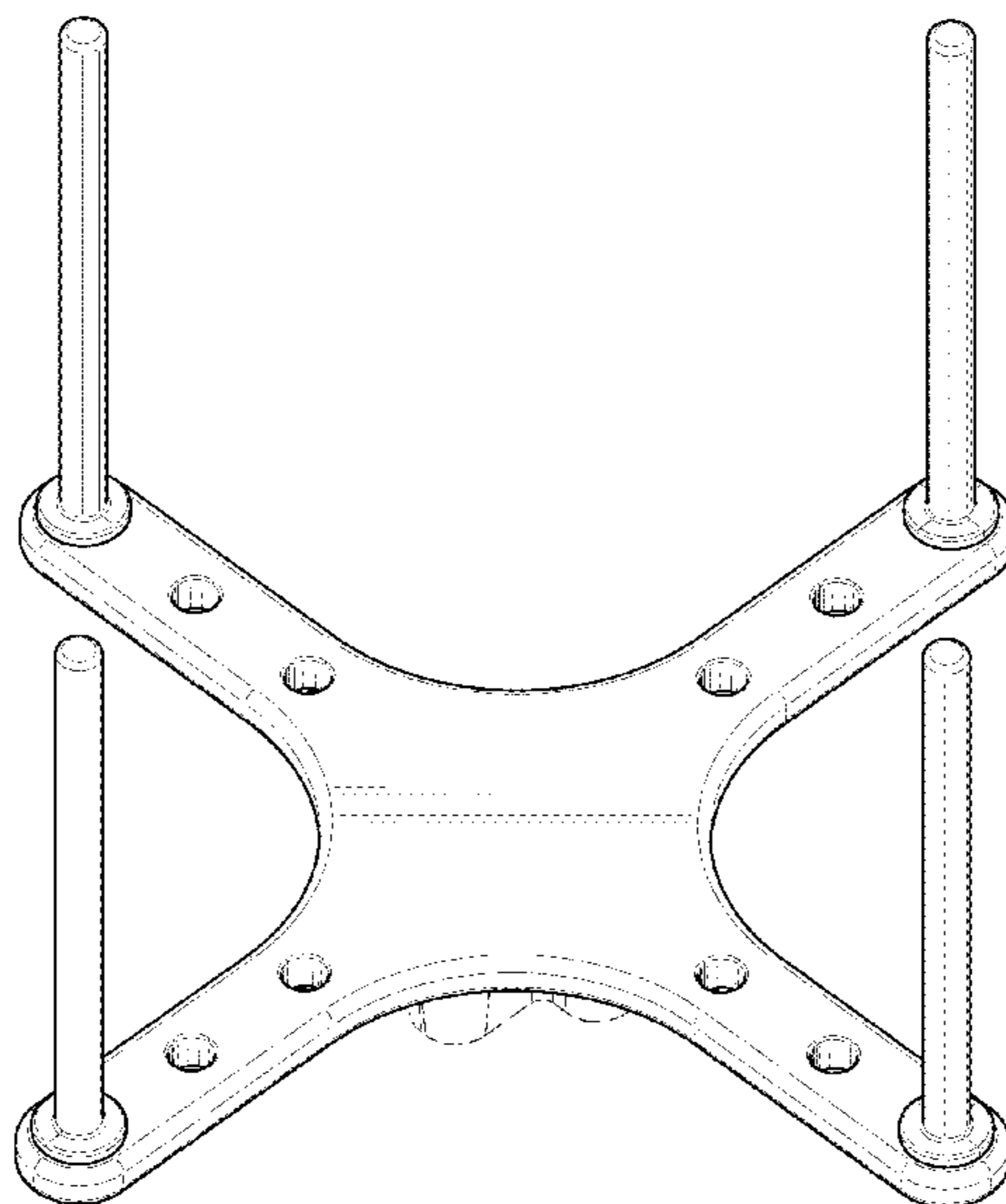
FIG. 7 is a back view of the block elevator shown in FIG. 1.

FIG. 8 is a bottom view of the block elevator shown in FIG. 1; and,

FIG. 9 is a front top right perspective view of the block elevator shown in FIG. 1 with the removable pins of the block elevator shown disengaged.

The broken line showing of a mounting collar is for illustrative purposes only and forms no part of the design claim.

**1 Claim, 9 Drawing Sheets**



**US D959,758 S**

(58) **Field of Classification Search**

USPC ..... D6/512-515, 567; 248/176.1, 177.1, 248/179.1, 180.1, 187.1, 188, 188.1, 248/188.2, 188.4, 370, 372.1, 397, 405, 248/406.2, 411, 415, 423, 424; 211/49.1, 211/86.01, 88.01, 89.01, 90.02, 97, 98, 211/85.4, 58, 13.1, 163, 197, 205, 54.1, 211/26, 26.2; D8/354  
 CPC ..... A01K 5/015; A01K 5/0225; A01K 5/00; A01K 5/02; A01K 5/01; A01K 5/0291; A01K 5/0266; A01K 5/0275; A01K 5/0283; A01K 39/0106; A01K 39/00; A01K 39/01; A01K 39/0113; A01K 39/0114; A01K 39/012; A01K 39/0125; A01K 39/014; A01K 1/0356; A01K 1/10; A01K 97/10; A01K 61/80; B28C 7/0046; B65D 90/14; B65D 88/52; B65D 88/30; A01C 17/005; A01C 17/006; Y10T 74/19721; Y10T 74/2063; Y10T 403/10; A47F 7/00; A47F 7/0071; A47F 7/281; A47F 5/0807; A47F 5/05; A47F 5/0037; A47F 5/02; A47B 49/00; A63H 17/262; A63H 31/00; A63H 31/02; A47J 47/16; A47J 47/20

See application file for complete search history.

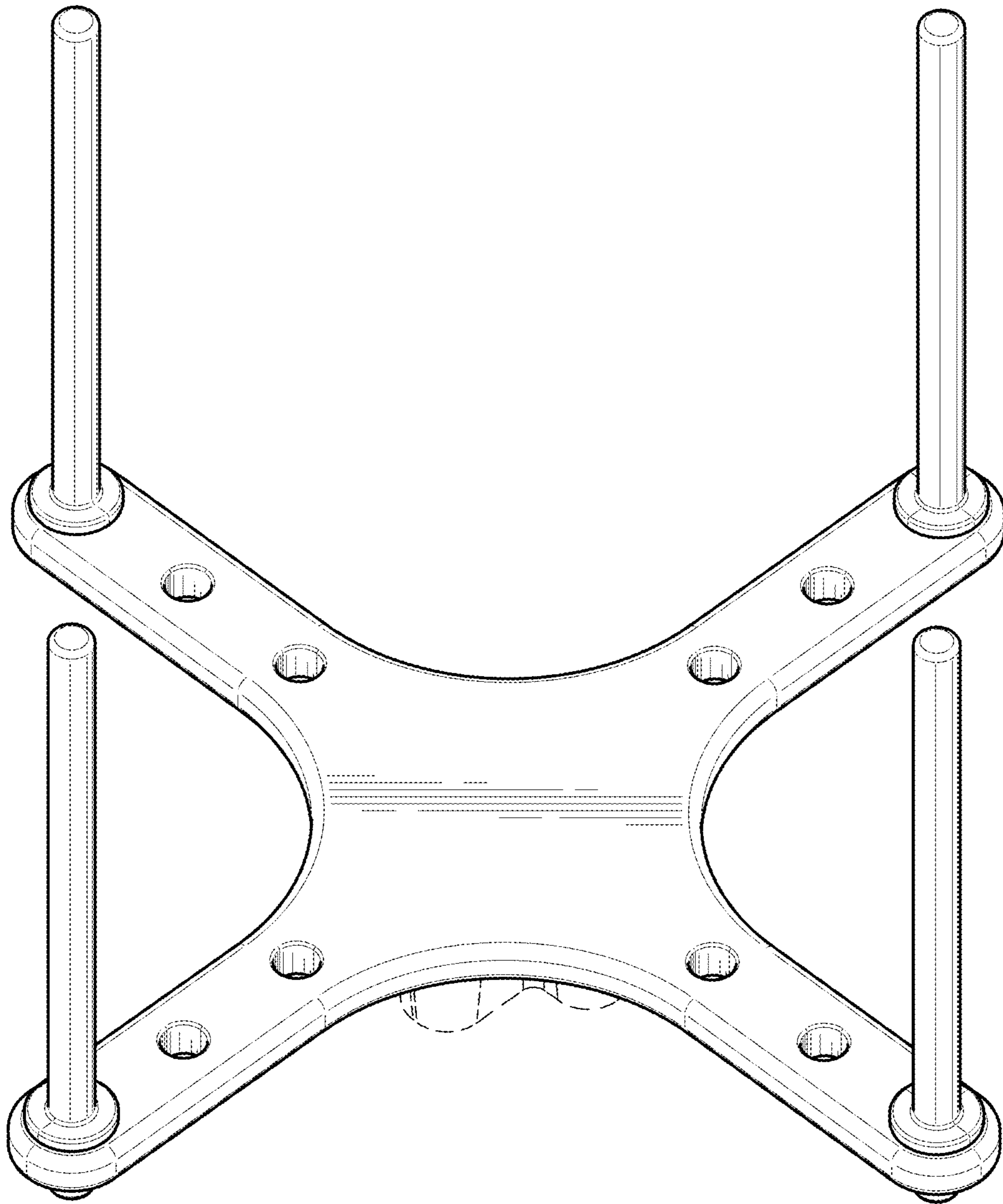
(56) **References Cited**

U.S. PATENT DOCUMENTS

3,952,876 A \* 4/1976 Price ..... A47F 7/148  
 100/34  
 4,093,166 A \* 6/1978 Iida ..... B63B 29/12  
 248/311.2  
 4,118,002 A \* 10/1978 Bartlett ..... F16M 11/42  
 248/311.2  
 4,395,941 A \* 8/1983 Metzger ..... B65B 27/083  
 100/34  
 4,919,278 A \* 4/1990 Howen ..... A47J 47/16  
 211/49.1  
 5,033,628 A \* 7/1991 Scholes ..... B65B 27/083  
 100/34  
 5,172,457 A \* 12/1992 Allen ..... A61G 17/08  
 27/1  
 5,181,686 A \* 1/1993 Barthel ..... F26B 25/18  
 248/173  
 D334,854 S \* 4/1993 Pestone ..... D6/680.3  
 5,282,545 A \* 2/1994 White ..... B65B 27/083  
 206/83.5  
 5,467,680 A \* 11/1995 Kurosaki ..... G10D 13/02  
 84/421  
 D408,857 S \* 4/1999 Trimm ..... D19/86

6,040,514 A \* 3/2000 Liao ..... G10D 13/28  
 84/421  
 6,085,691 A \* 7/2000 Loehndorf ..... A01K 5/015  
 119/51.01  
 6,321,910 B1 \* 11/2001 Bates ..... B65D 67/02  
 206/449  
 6,386,142 B1 \* 5/2002 Holscher ..... A01K 31/12  
 119/51.01  
 6,393,805 B2 \* 5/2002 Bates ..... B65D 67/02  
 53/541  
 6,416,029 B1 \* 7/2002 Holtermanns ..... G10D 13/28  
 84/421  
 6,459,027 B1 \* 10/2002 Van Dermeulen ..... G10D 13/02  
 84/421  
 D492,716 S \* 7/2004 Micheel ..... G10D 13/02  
 D17/22  
 7,040,584 B2 \* 5/2006 Welland ..... B05B 15/62  
 248/94  
 D536,603 S \* 2/2007 Worrall ..... D8/363  
 D560,470 S \* 1/2008 Short ..... D8/354  
 D576,633 S \* 9/2008 Muday ..... D14/452  
 D612,348 S \* 3/2010 Marquis-Martin ..... D13/199  
 D647,727 S \* 11/2011 Roberts ..... D6/680  
 D649,182 S \* 11/2011 Chambers ..... D17/22  
 8,109,476 B2 \* 2/2012 Roberts ..... B65B 67/1205  
 248/173  
 D655,531 S \* 3/2012 Gharst ..... D3/10  
 D658,040 S \* 4/2012 Ghatikar ..... D8/354  
 D669,481 S \* 10/2012 Prescott ..... D14/447  
 D673,960 S \* 1/2013 Lindfield ..... D14/447  
 D700,834 S \* 3/2014 Fievet ..... D8/382  
 D715,622 S \* 10/2014 Qu ..... D8/499  
 D721,573 S \* 1/2015 Fievet ..... D8/382  
 9,161,513 B2 \* 10/2015 Holscher ..... A01K 5/015  
 D748,617 S \* 2/2016 Zucker ..... D16/242  
 D755,550 S \* 5/2016 Sneve ..... D6/716  
 D825,114 S \* 8/2018 Robbins ..... D30/121  
 D829,086 S \* 9/2018 Hynek ..... D8/382  
 D832,087 S \* 10/2018 Fievet ..... D8/382  
 D841,435 S \* 2/2019 Domeck ..... D8/354  
 D841,631 S \* 2/2019 Pei ..... D14/239  
 10,295,113 B1 \* 5/2019 Fox ..... B66F 5/00  
 D879,227 S \* 3/2020 August ..... D21/782  
 D902,012 S \* 11/2020 Enger ..... D8/354  
 D927,502 S \* 8/2021 Akana ..... D14/452  
 D933,926 S \* 10/2021 Theißen ..... D34/28  
 D943,392 S \* 2/2022 Kanter ..... D8/354  
 2010/0071160 A1 \* 3/2010 Chang ..... E05D 11/105  
 16/338  
 2014/0116344 A1 \* 5/2014 Holscher ..... A01K 5/015  
 119/51.01  
 2016/0017596 A1 \* 1/2016 Ballesteros ..... E06B 3/54  
 52/582.1  
 2017/0251792 A1 \* 9/2017 Brooks ..... E02D 5/801  
 2020/0269391 A1 \* 8/2020 Theissen ..... B66C 1/0218

\* cited by examiner



**Fig. 1**

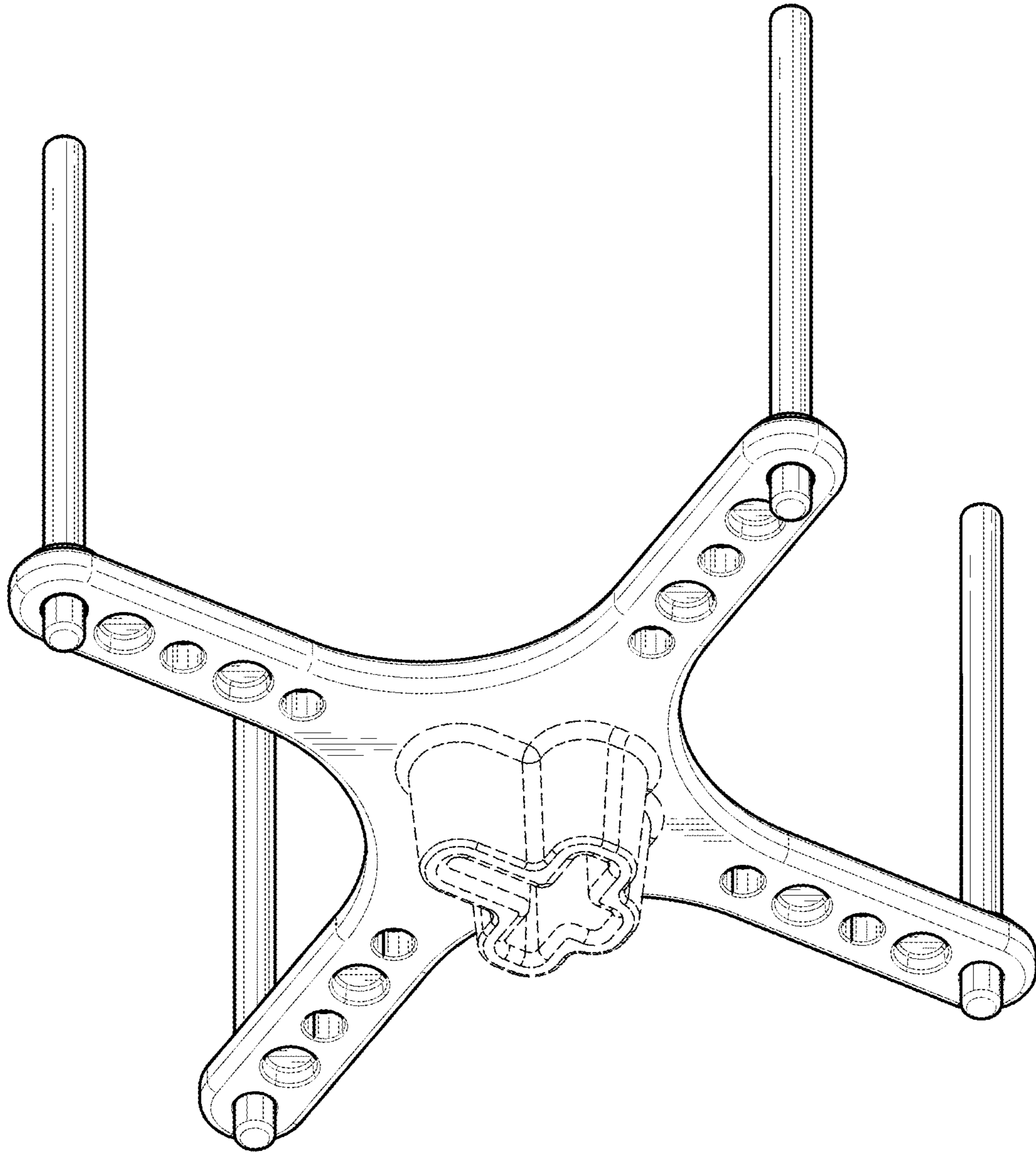
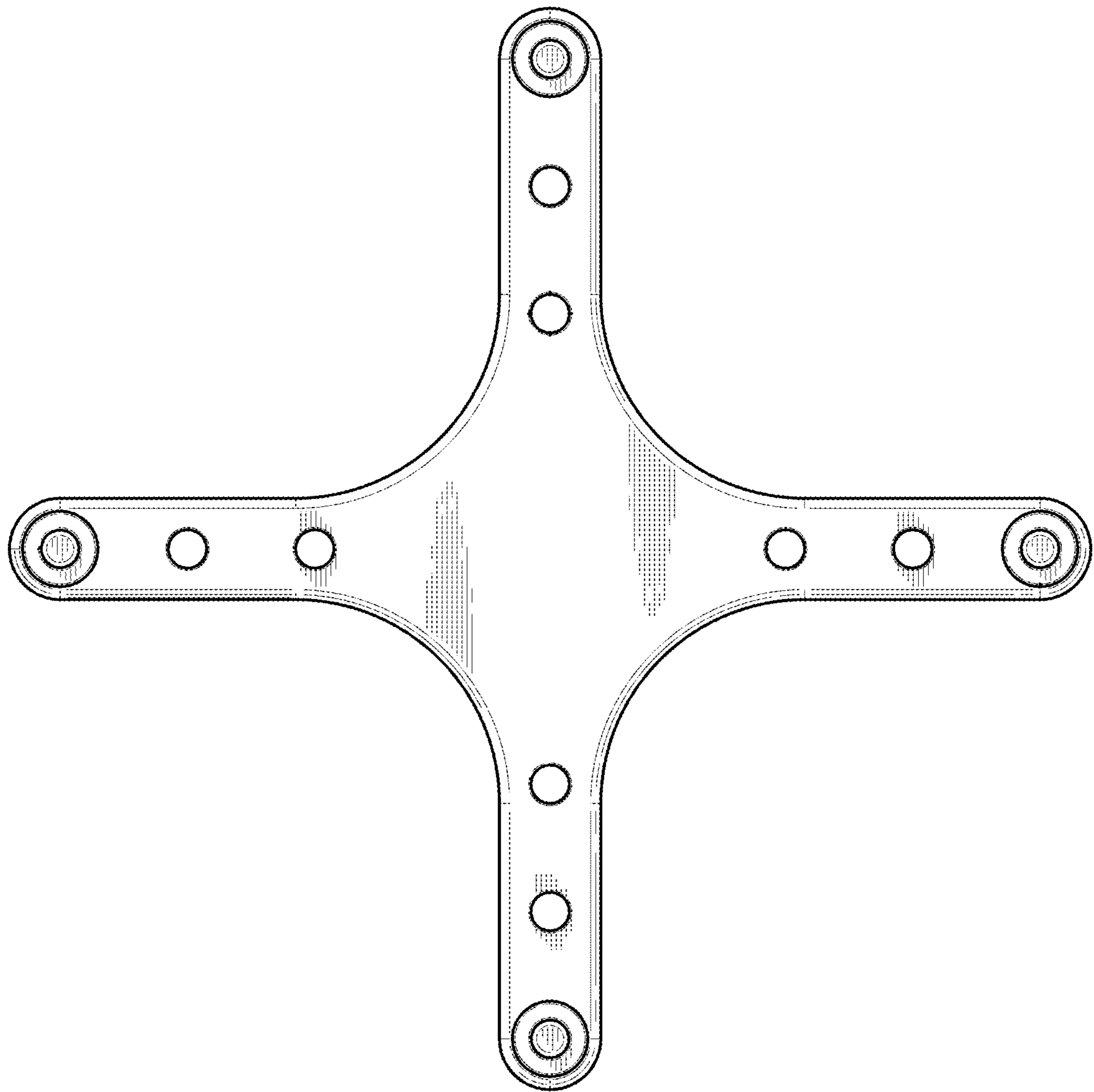


Fig. 2



**Fig. 3**

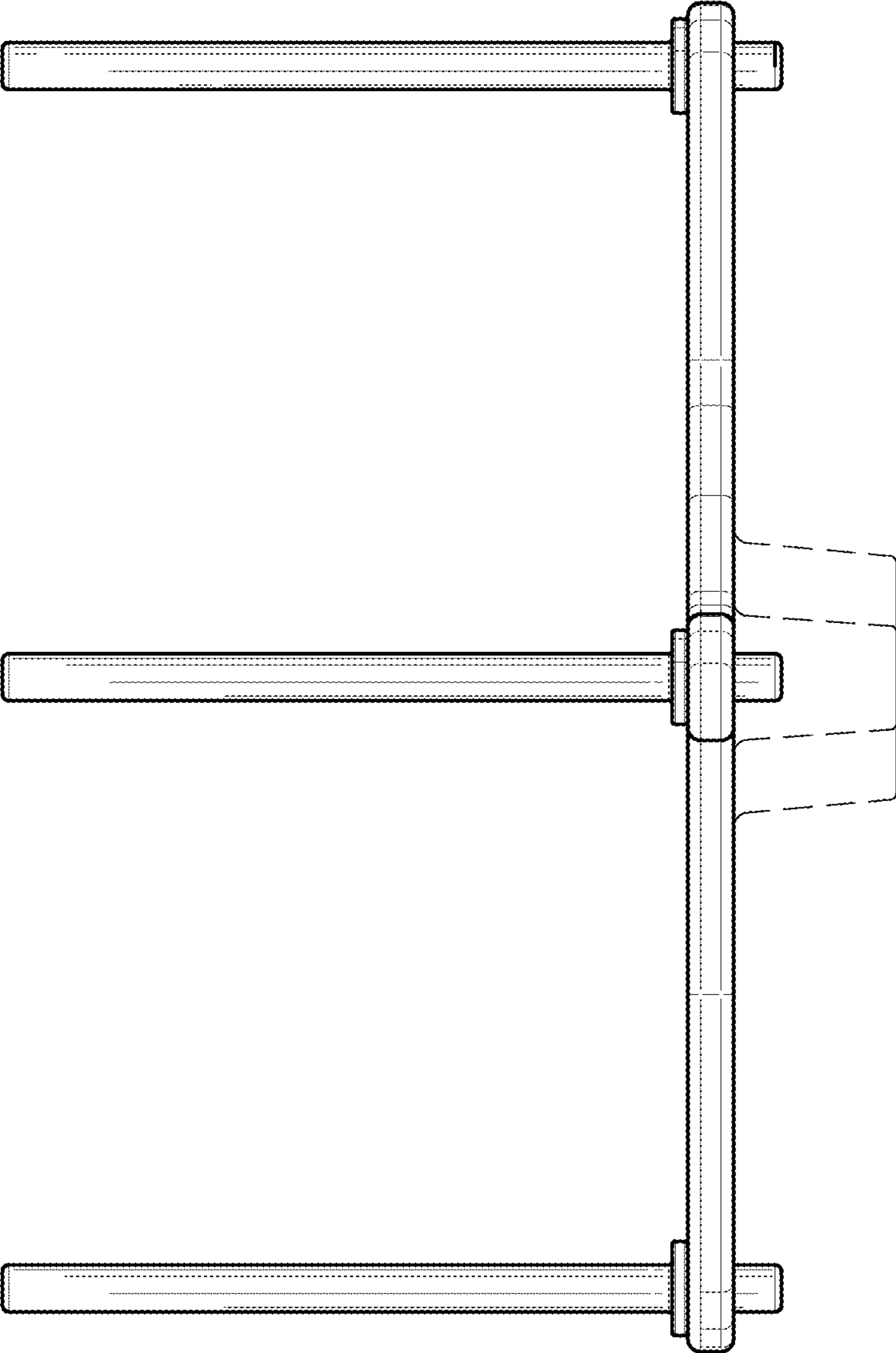


Fig. 4

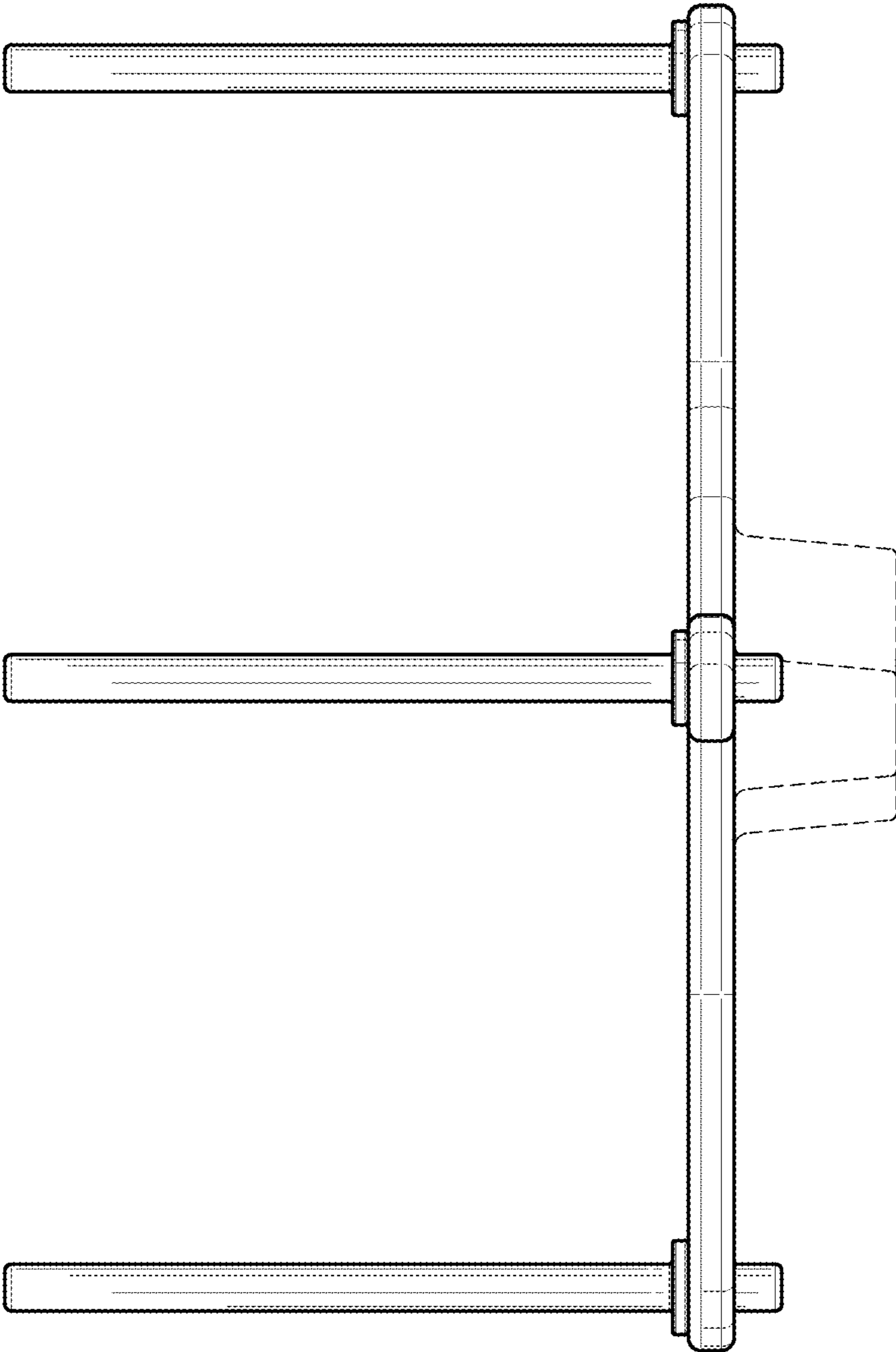


Fig. 5

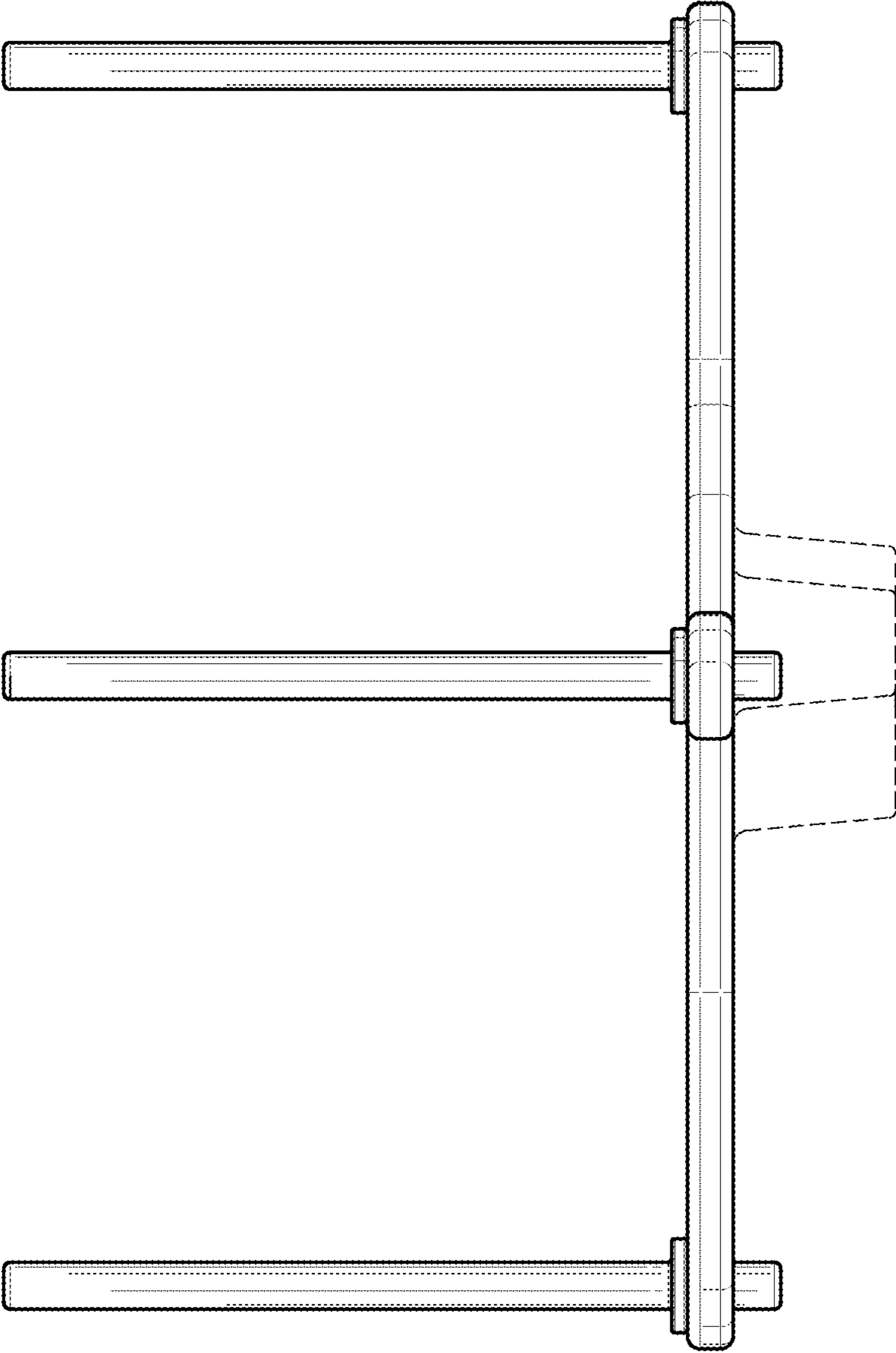


Fig. 6



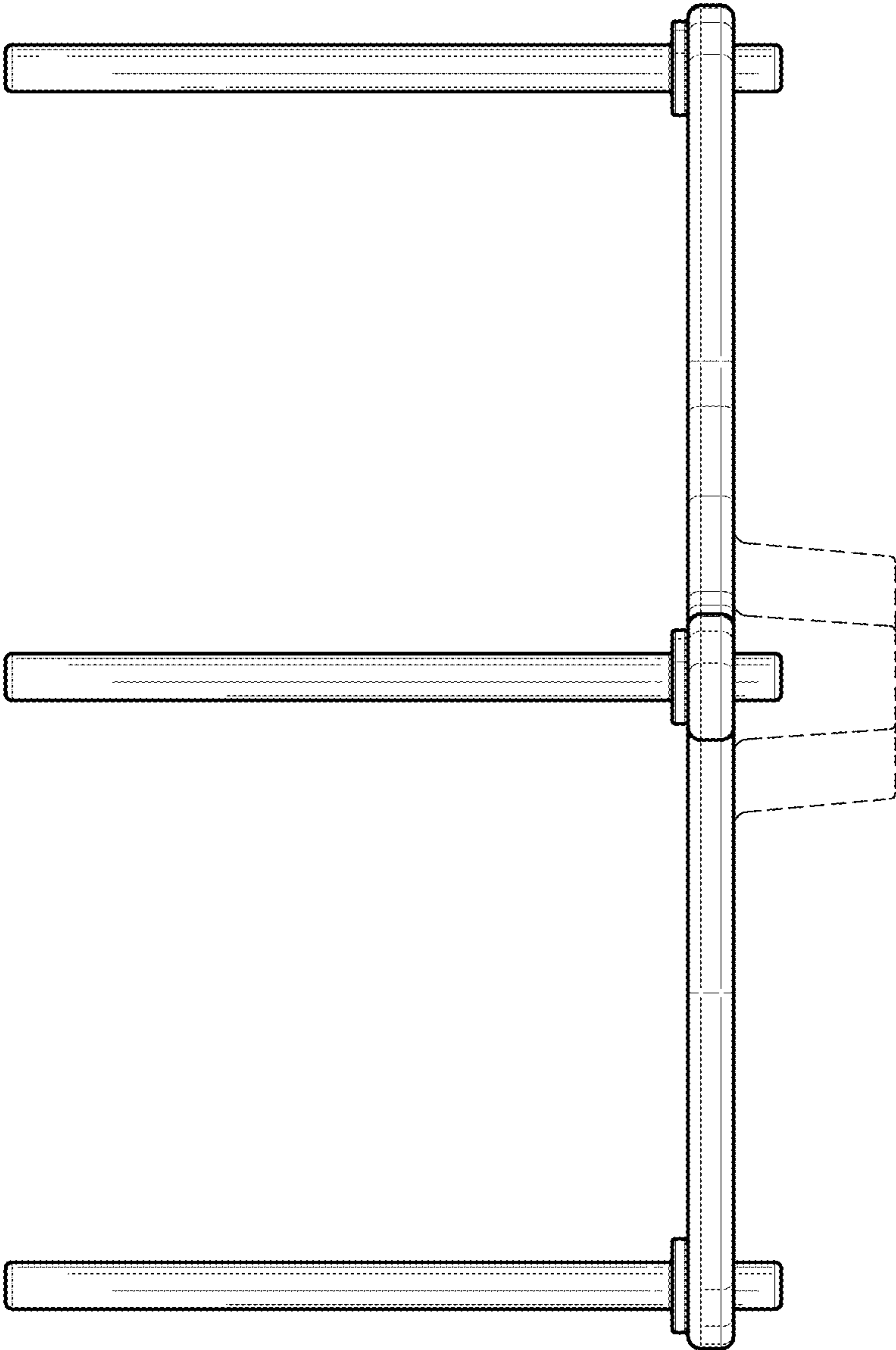


Fig. 7

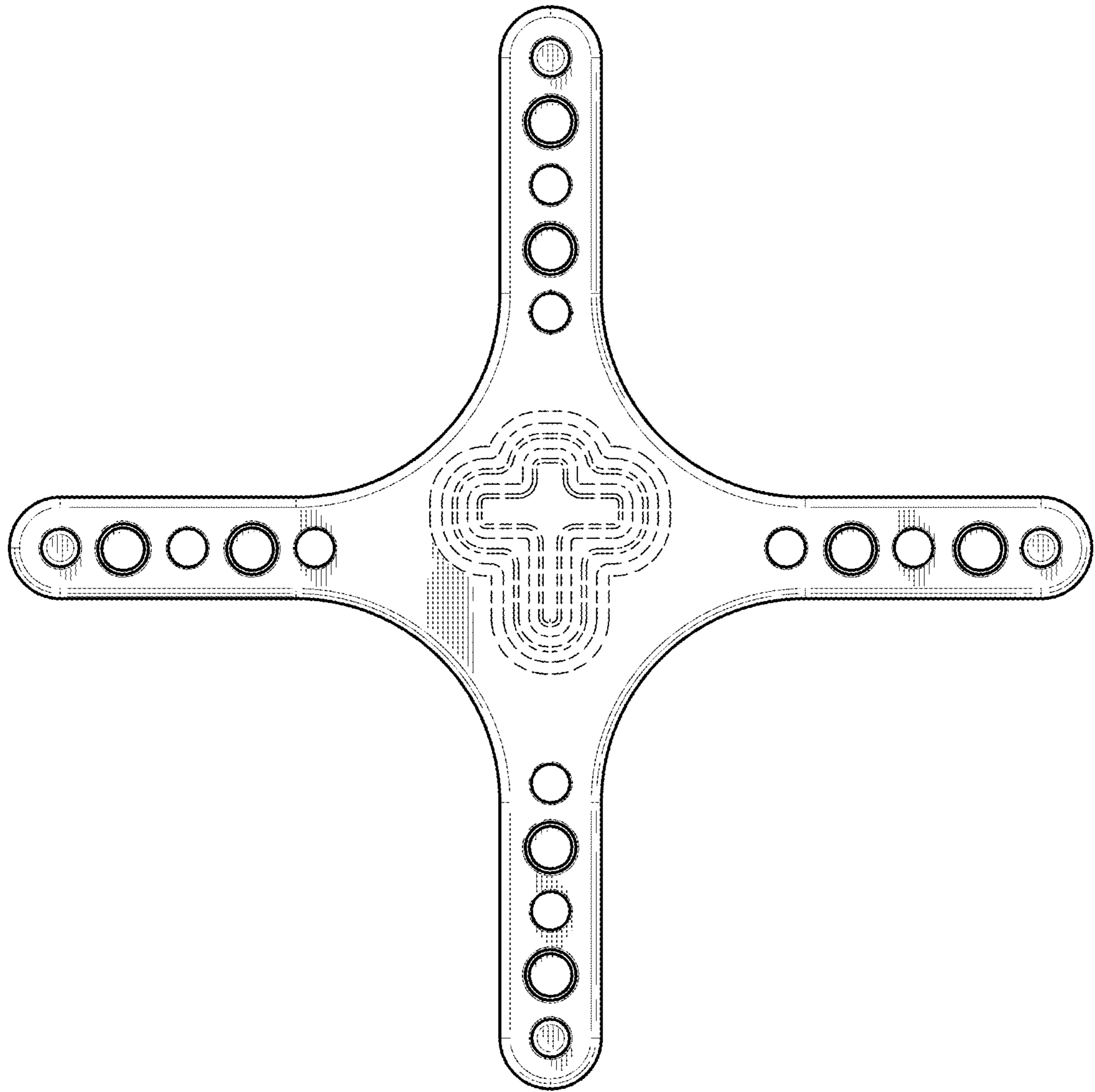


Fig. 8

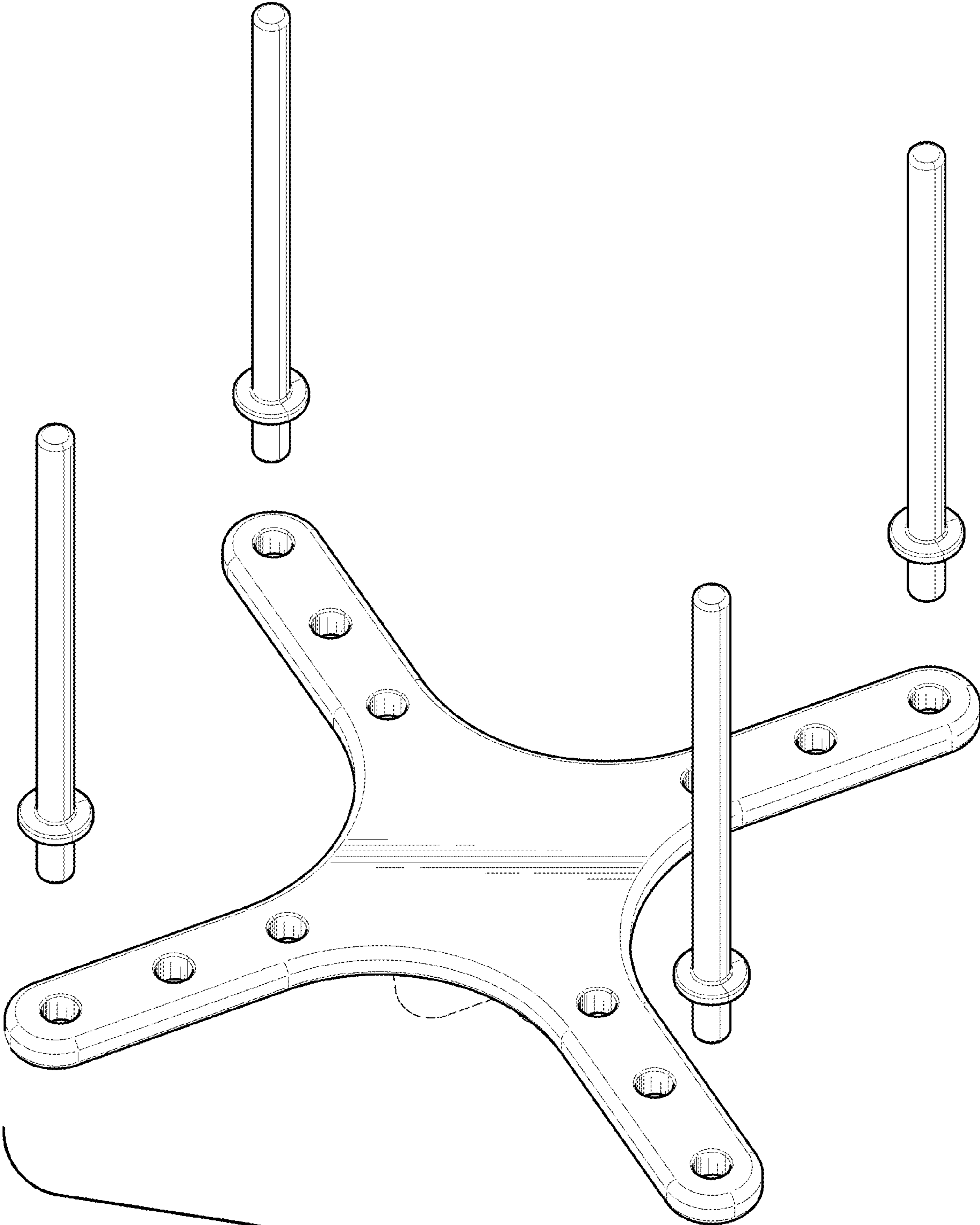


Fig. 9