



US00D959757S

(12) **United States Design Patent**  
**Lanqvist**

(10) **Patent No.:** **US D959,757 S**

(45) **Date of Patent:** **\*\* Aug. 2, 2022**

(54) **HELMET LINER**

(71) Applicant: **Sundström Safety Aktiebolag**, Lagan (SE)

(72) Inventor: **David Lanqvist**, Lidingö (SE)

(73) Assignee: **SUNDSTRÖM SAFETY AKTIEBOLAG**, Lagan (SE)

(\*\*) Term: **15 Years**

(21) Appl. No.: **29/725,644**

(22) Filed: **Feb. 26, 2020**

(30) **Foreign Application Priority Data**

Oct. 23, 2019 (EP) ..... 007070586

(51) **LOC (13) Cl.** ..... **02-99**

(52) **U.S. Cl.**  
USPC ..... **D29/122**

(58) **Field of Classification Search**  
USPC ..... D29/102, 103, 106, 107, 108, 110, 122;  
D24/110.2

CPC ..... A42B 3/225; A42B 3/226; A42B 3/18;  
A42B 3/185; A42B 3/20; A42B 3/22;  
A42B 3/221; A42B 3/222; A42B 3/28;  
A41D 13/11; A41D 13/1161; A41D  
13/1184; A62B 7/10; A62B 18/04; A62B  
18/08

See application file for complete search history.

(56) **References Cited**

**U.S. PATENT DOCUMENTS**

D344,160 S \* 2/1994 Boza ..... D29/107  
D397,519 S \* 8/1998 Crupi ..... D29/107  
D420,770 S \* 2/2000 Burns ..... D29/102  
8,534,279 B2 \* 9/2013 Brace ..... A62B 18/045  
128/201.24

D716,505 S \* 10/2014 Wu ..... D29/122  
D716,506 S \* 10/2014 Wu ..... D29/122  
D731,123 S \* 6/2015 Spear ..... D29/122  
D857,999 S \* 8/2019 Hanner ..... D29/107  
10,470,502 B2 \* 11/2019 Rosati ..... A41D 13/0025  
10,667,568 B2 \* 6/2020 Rosati ..... A62B 7/00  
11,064,756 B2 \* 7/2021 Kidman ..... A42B 3/30  
D927,785 S \* 8/2021 Wu ..... D29/102  
D930,162 S \* 9/2021 Cremer ..... D24/160  
2008/0092279 A1 \* 4/2008 Chiang ..... A42B 3/145  
2/425  
2010/0294270 A1 \* 11/2010 Curran ..... A62B 18/045  
128/201.23  
2011/0265790 A1 \* 11/2011 Walker ..... A62B 17/04  
128/201.23  
2020/0060359 A1 \* 2/2020 Jascomb ..... A42B 3/225  
2021/0195980 A1 \* 7/2021 Cartwright ..... A42B 3/225

(Continued)

**FOREIGN PATENT DOCUMENTS**

EM 004091189-0001 A1 7/2017

*Primary Examiner* — Kimberly Barnes

(74) *Attorney, Agent, or Firm* — Cooper Legal Group, LLC; Ronald M. Kachmarik

(57) **CLAIM**

The ornamental design for a helmet liner, as shown and described.

**DESCRIPTION**

FIG. 1 is a first side view of a helmet liner showing the new design;

FIG. 2 is a second side view thereof;

FIG. 3 is a top view thereof;

FIG. 4 is a bottom view thereof;

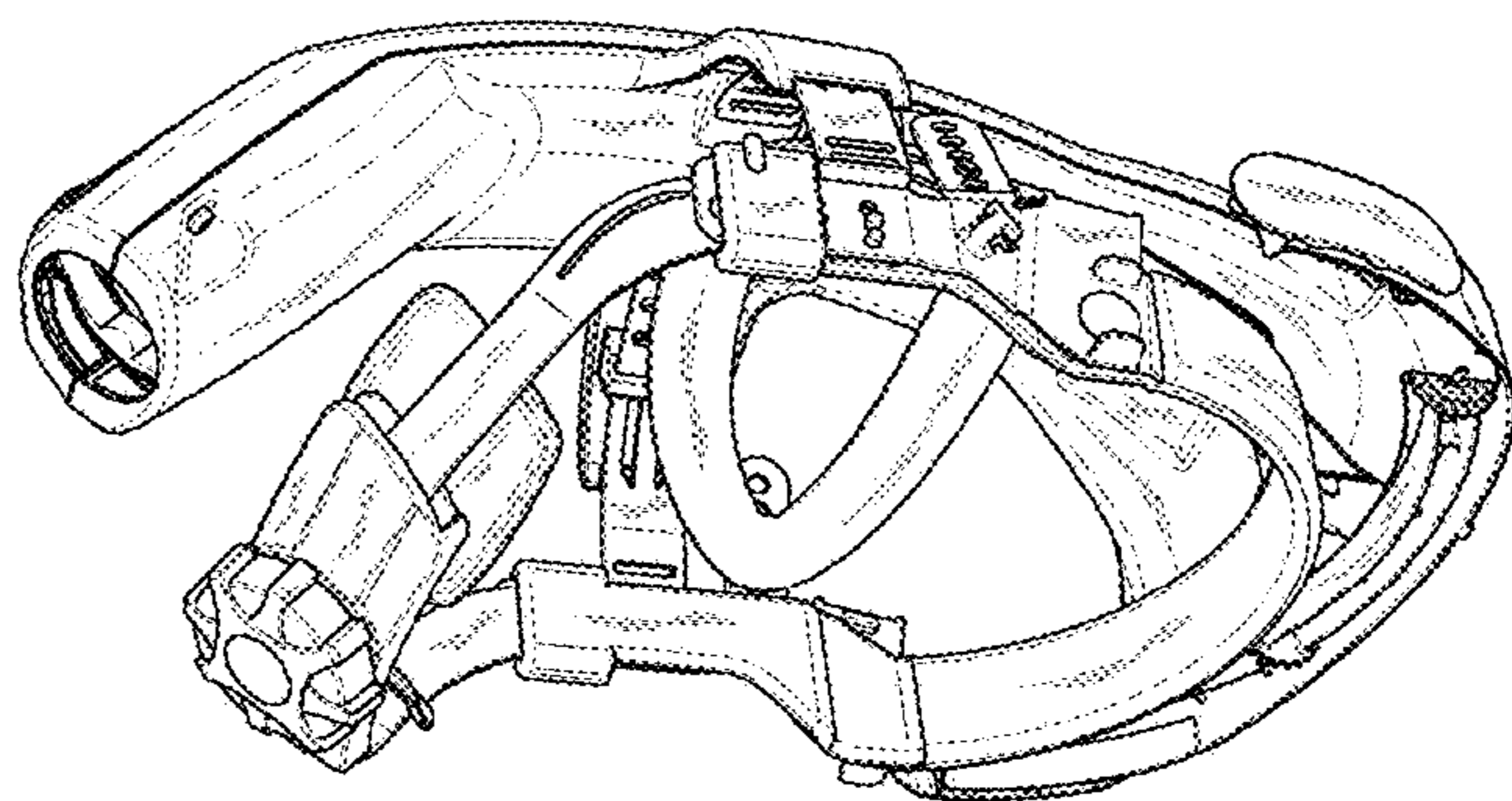
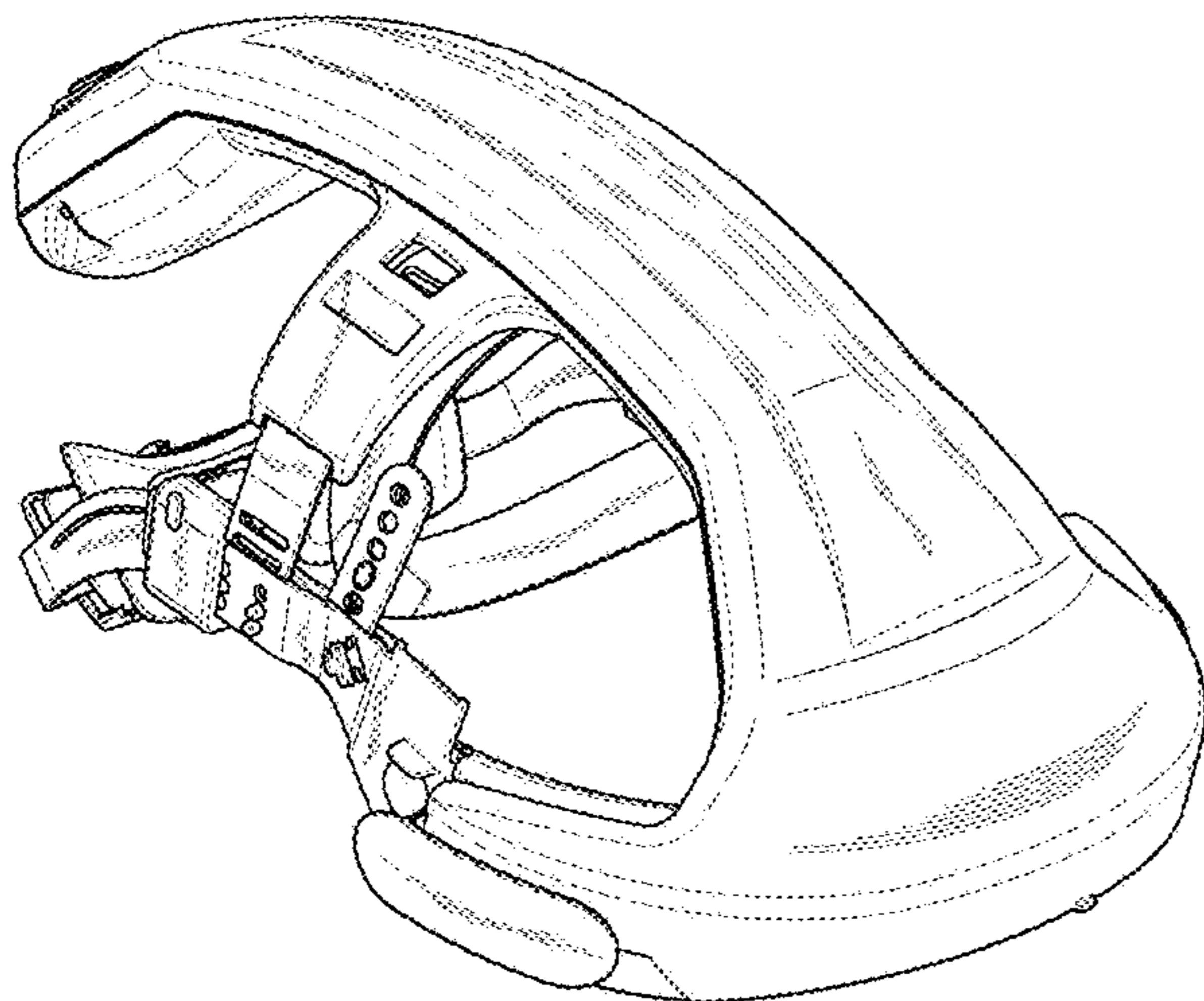
FIG. 5 is a back view thereof;

FIG. 6 is a front view thereof;

FIG. 7 is a front, first side/top perspective view thereof; and,

FIG. 8 is a rear, first side/bottom perspective view thereof.

**1 Claim, 8 Drawing Sheets**



(56)

**References Cited**

U.S. PATENT DOCUMENTS

2021/0339061 A1\* 11/2021 Fajardo ..... A62B 9/00  
2021/0392988 A1\* 12/2021 Jefferis ..... A42B 3/0406

\* cited by examiner

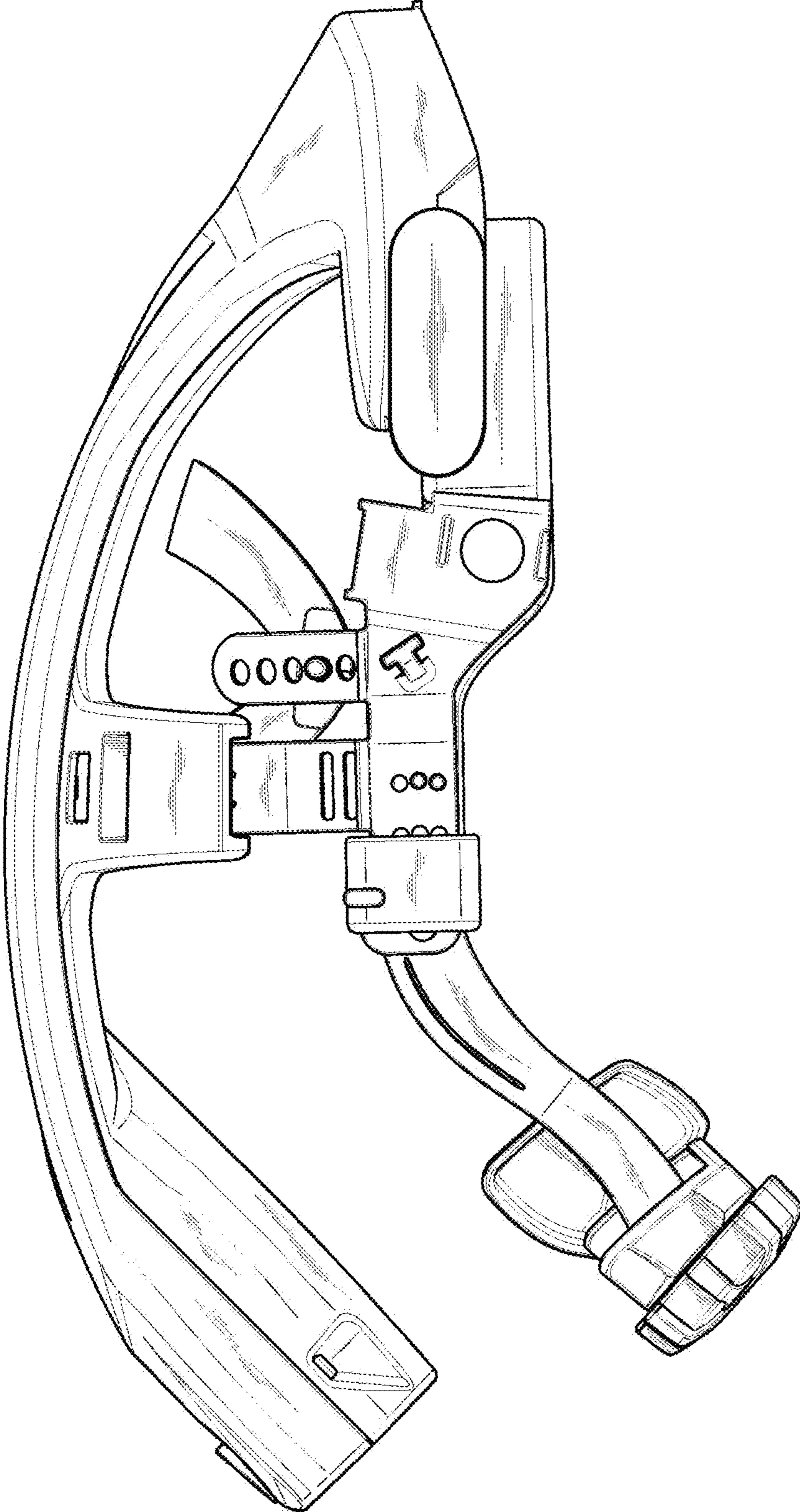


FIG. 1

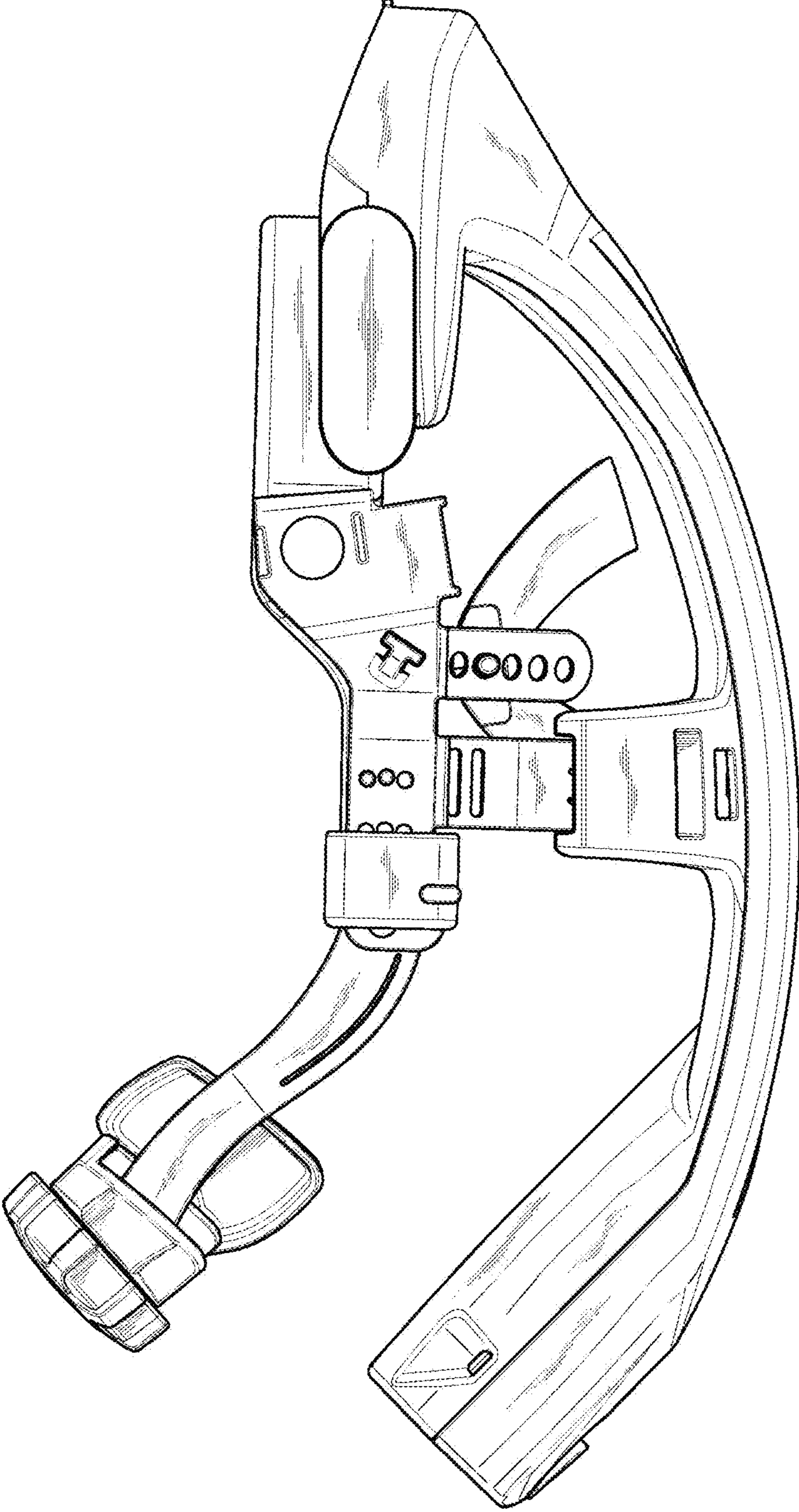


FIG. 2

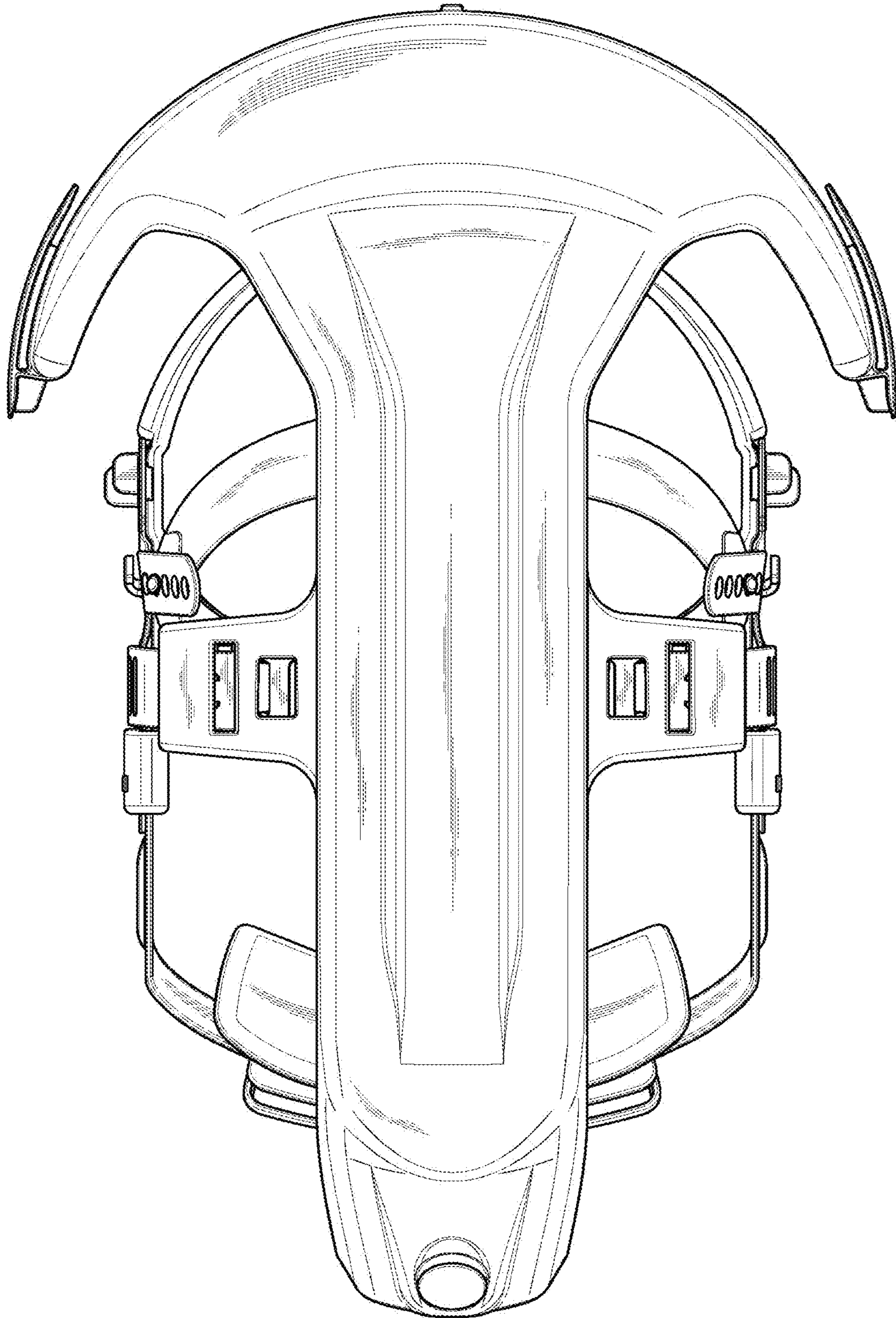


FIG. 3

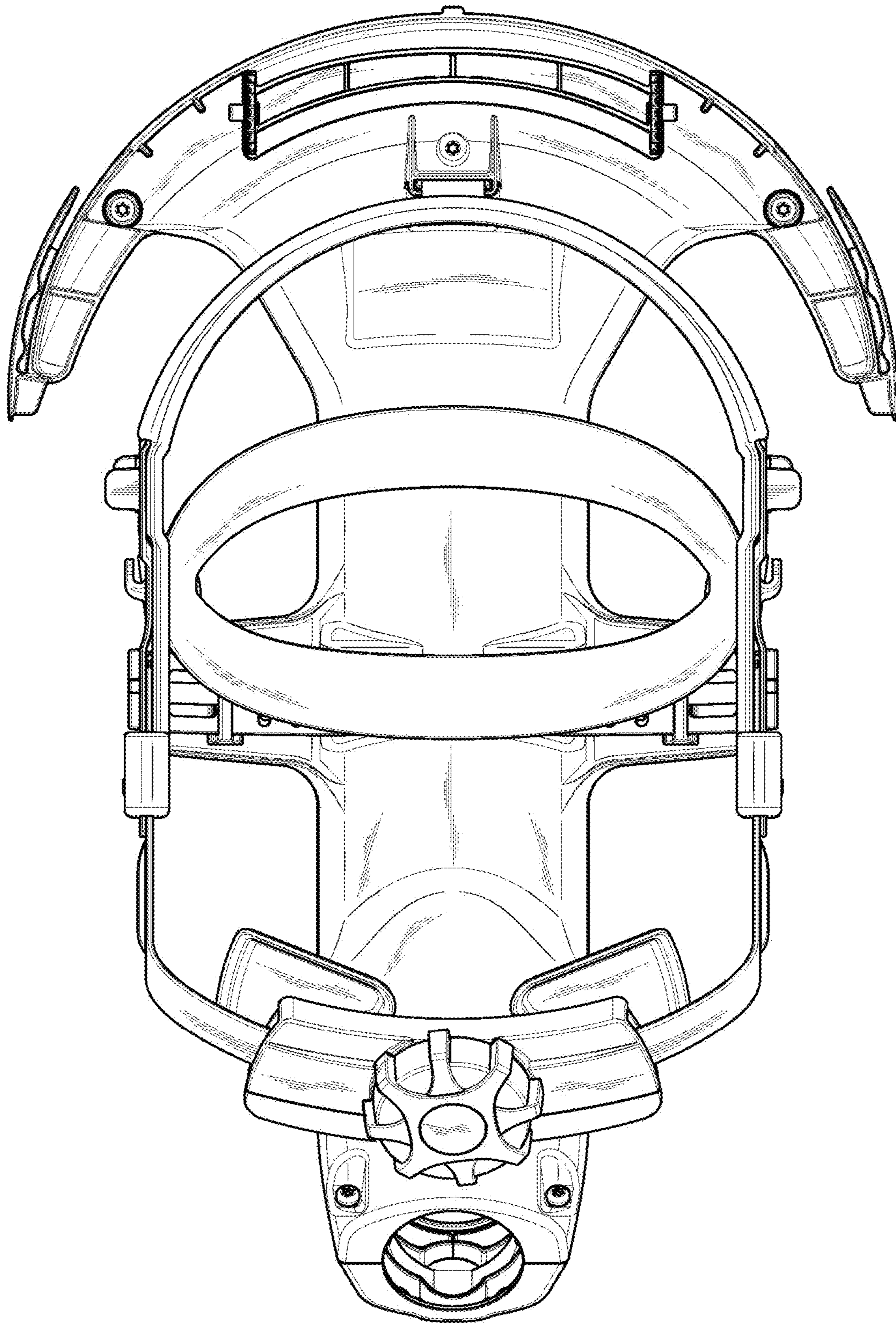


FIG. 4

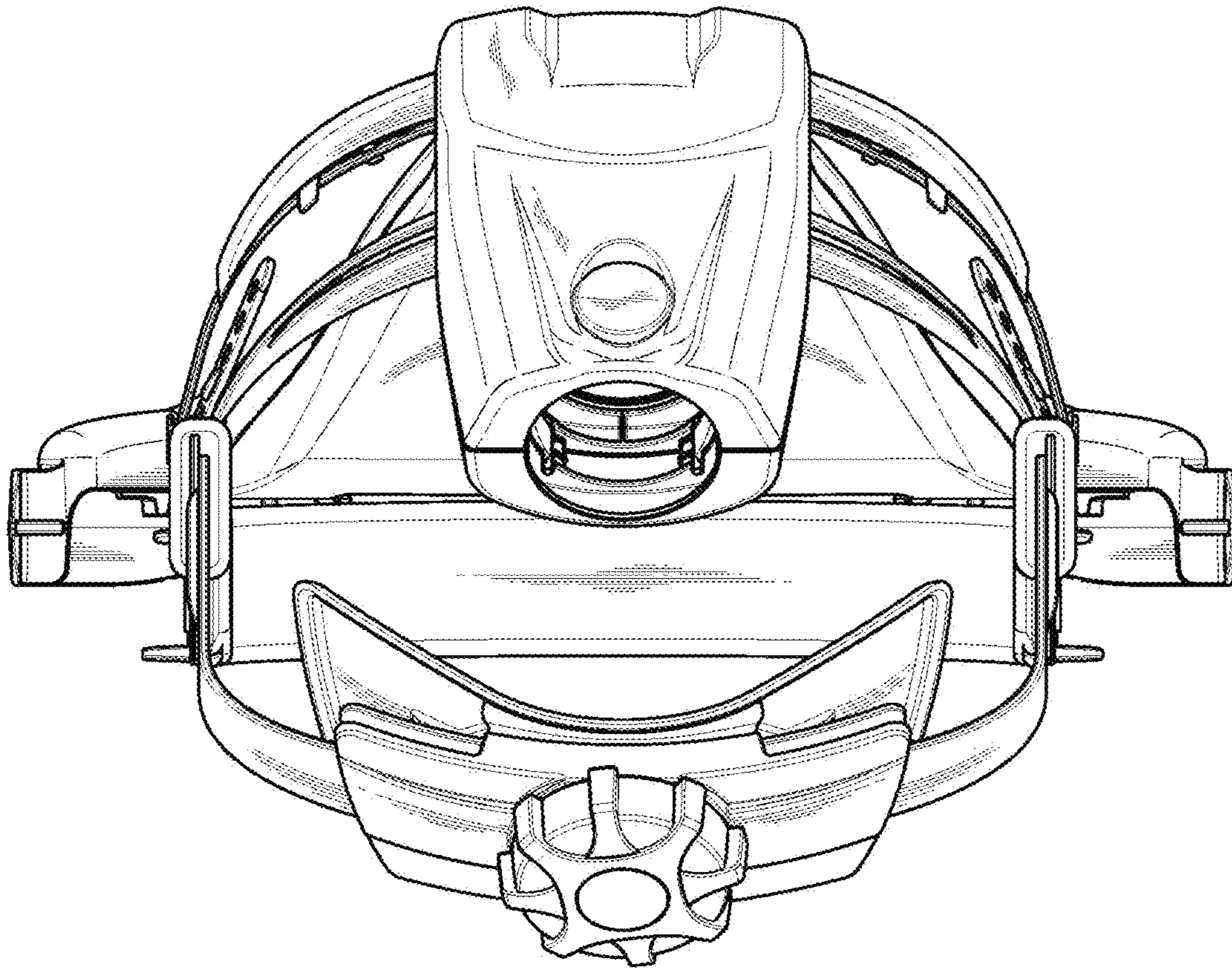


FIG. 5

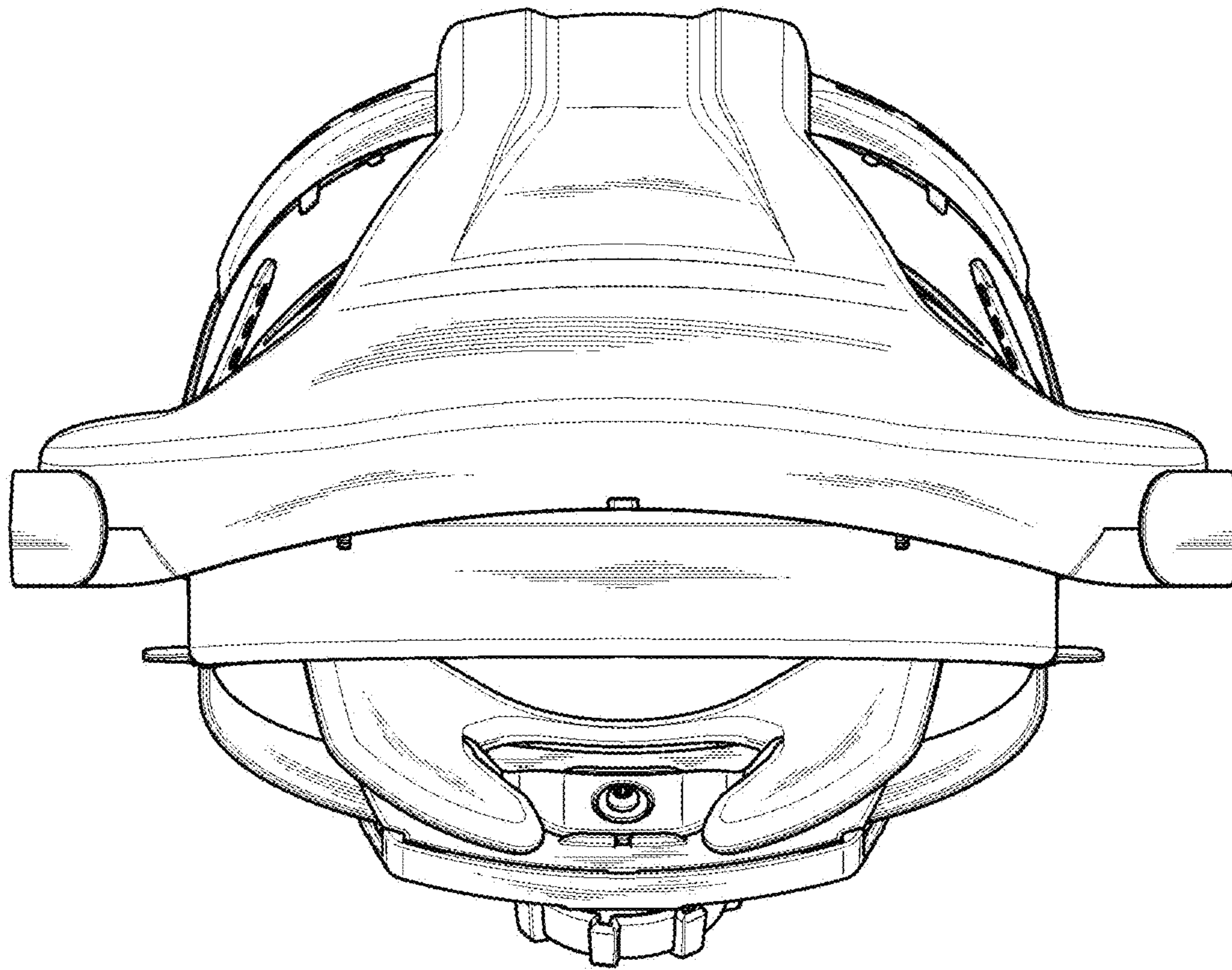


FIG. 6



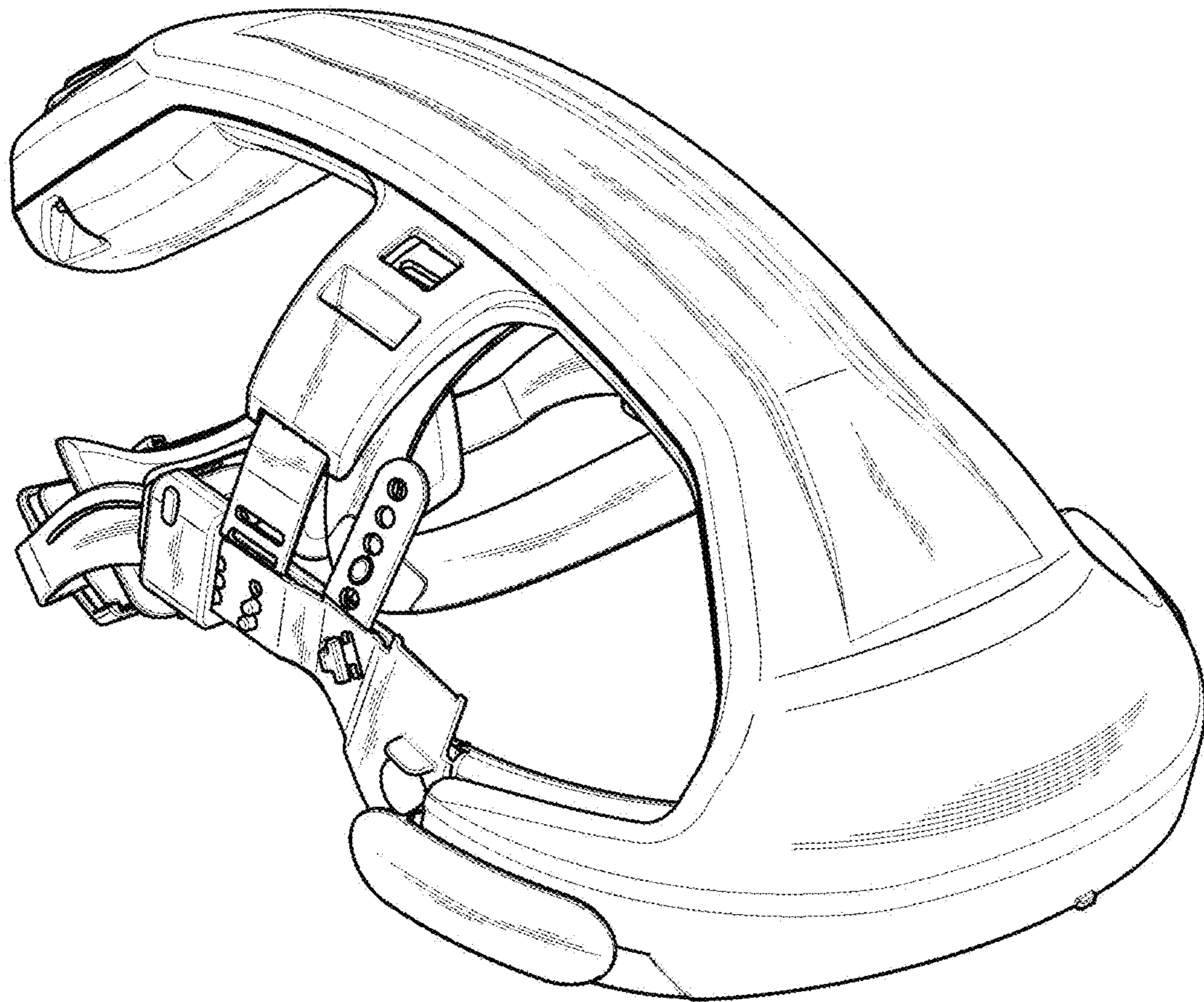


FIG. 7

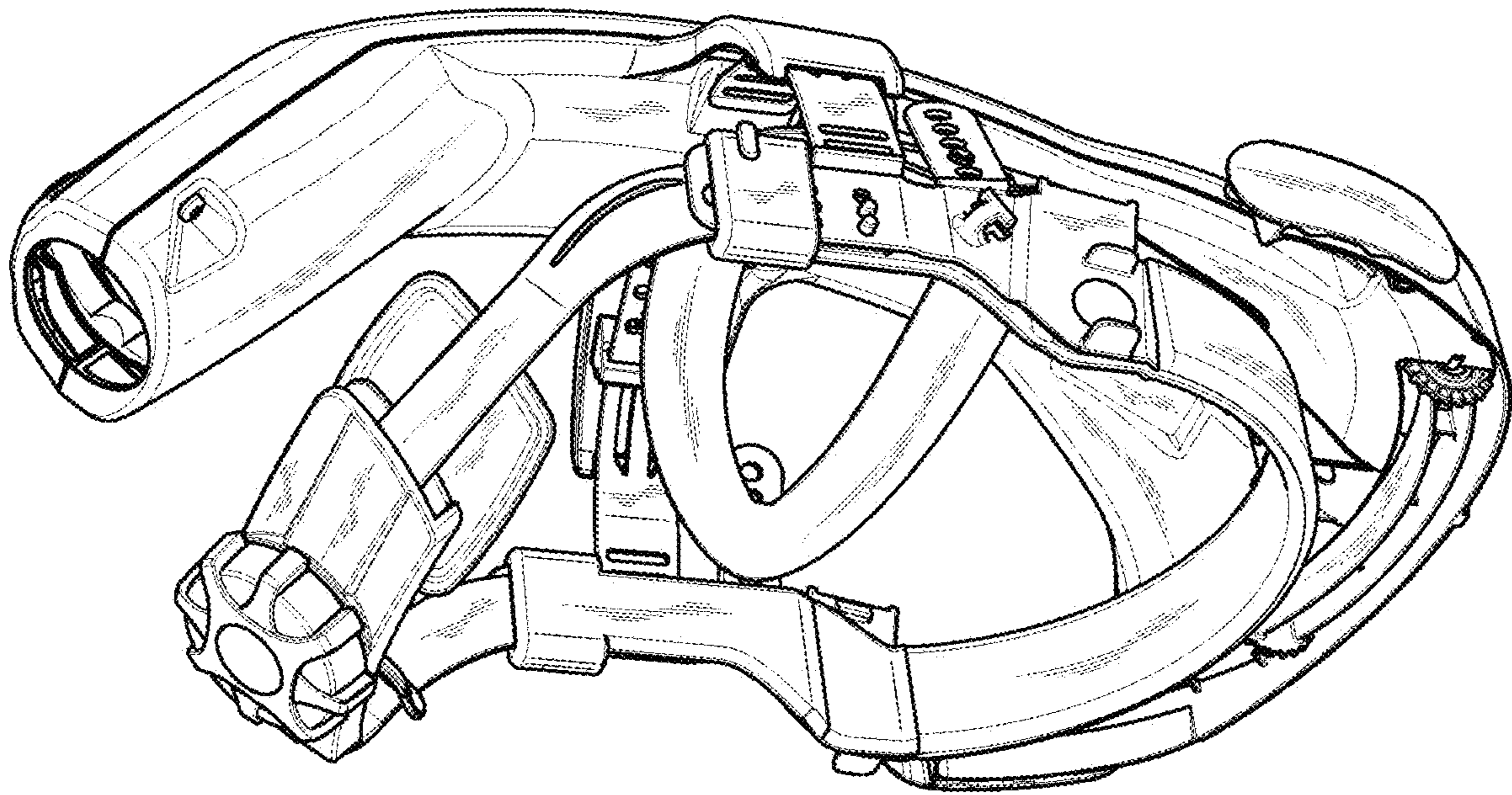


FIG. 8