



US00D959756S

(12) **United States Design Patent** (10) **Patent No.:** **US D959,756 S**
Dulude et al. (45) **Date of Patent:** **** Aug. 2, 2022**

- (54) **EXTERNAL METATARSAL GUARD**
- (71) Applicant: **TBL Licensing LLC**, Stratham, NH (US)
- (72) Inventors: **Ryan Dulude**, Lee, NH (US); **Stephen Douglas Ammon**, Hampton, NH (US); **Emily V. Miller**, Eliot, ME (US)
- (73) Assignee: **TBL Licensing LLC**, Stratham, NH (US)
- (**) Term: **15 Years**
- (21) Appl. No.: **29/782,243**
- (22) Filed: **May 5, 2021**

- 3,082,553 A 3/1963 Wilmans
- 3,206,874 A 9/1965 Ellis
- 3,465,365 A 9/1969 Jones
- 4,972,609 A 11/1990 Oh et al.
- 5,158,767 A 10/1992 Cohen et al.
- 5,457,898 A 10/1995 Fortin et al.
- D379,678 S 6/1997 Rosado
- 5,680,657 A 10/1997 Valtakari

(Continued)

OTHER PUBLICATIONS

Reebok internal view, Jun. 15, 2018, 4 pages.
(Continued)

Primary Examiner — Kimberly Barnes
(74) *Attorney, Agent, or Firm* — Lerner, David, Littenberg, Krumholz & Mentlik, LLP

Related U.S. Application Data

- (62) Division of application No. 29/721,053, filed on Jan. 17, 2020, now Pat. No. Des. 920,587.
- (51) **LOC (13) Cl.** **24-02**
- (52) **U.S. Cl.**
USPC **D29/121.2**
- (58) **Field of Classification Search**
USPC D29/113, 114, 115, 120.1, 120.2, 121.1, D29/121.2, 122; D24/192; D2/909, 946
CPC A41D 13/00; A41D 13/06; A41D 13/015; A41D 13/0543; A63B 71/08; A63B 71/1225; A63B 2071/1283; A43C 13/00; A43C 13/14; A43B 7/22; A43B 7/32; A43B 23/0215; A43B 23/0235; A43B 23/027; A43B 23/0275; A43B 23/028; A43B 23/042; A43B 23/17; A61F 5/14
See application file for complete search history.

(57) **CLAIM**

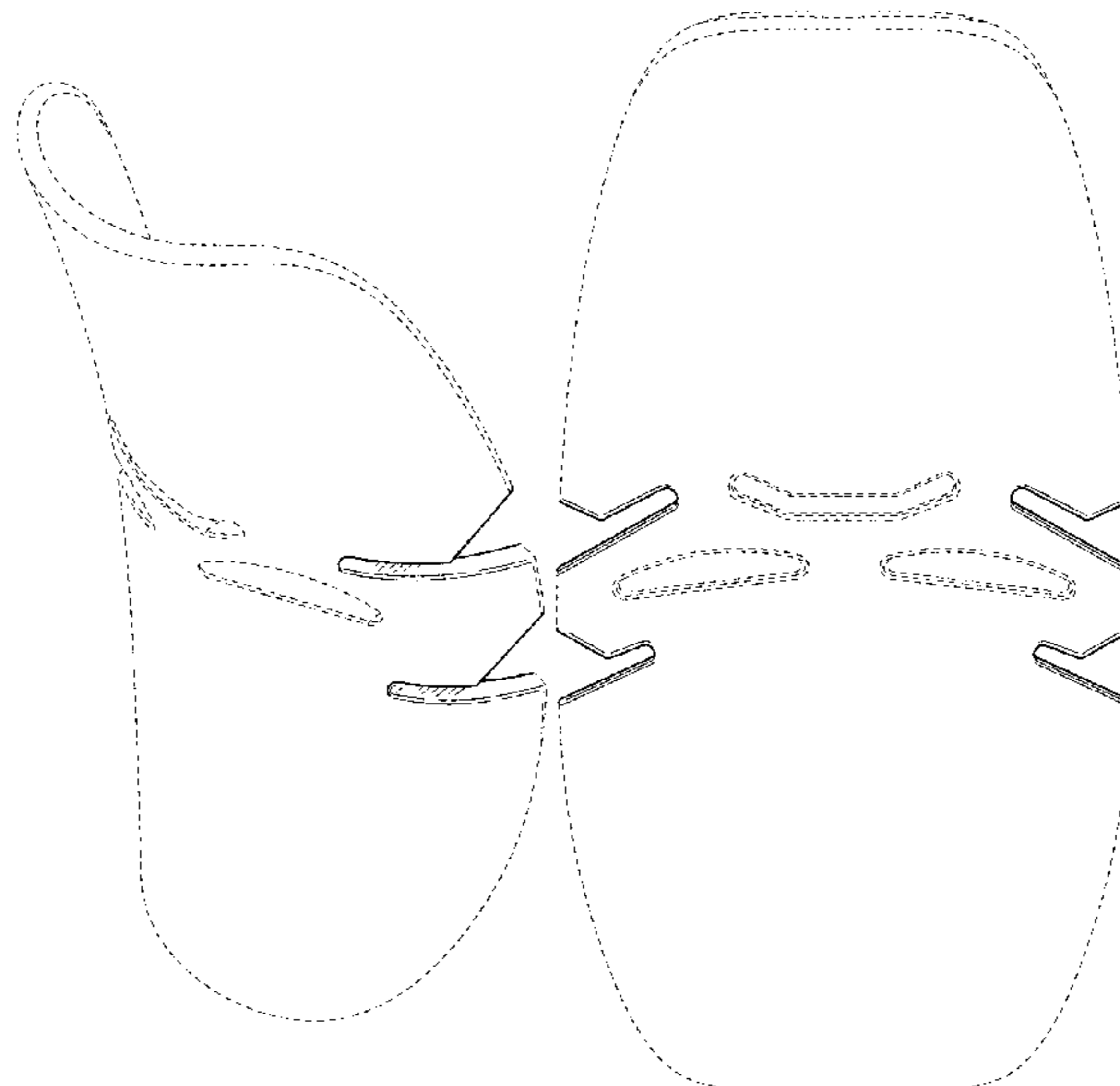
The ornamental design for an external metatarsal guard, as shown and described.

DESCRIPTION

FIG. 1 is a perspective view of an external metatarsal guard according to the design;
FIG. 2 is a top view of an external metatarsal guard according to the design;
FIG. 3 is a bottom view of an external metatarsal guard according to the design;
FIG. 4 is a left view of an external metatarsal guard according to the design;
FIG. 5 is a right view of an external metatarsal guard according to the design;
FIG. 6 is a rear view of an external metatarsal guard according to the design; and,
FIG. 7 is a front view of an external metatarsal guard according to the design.
The broken lines are included for illustrating environmental aspects only and form no part of the claimed design.

- (56) **References Cited**
U.S. PATENT DOCUMENTS
1,184,013 A 5/1916 Pierce
RE24,897 E 11/1960 Schlecht

1 Claim, 4 Drawing Sheets



(56)

References Cited

U.S. PATENT DOCUMENTS

5,833,639 A 11/1998 Nunes et al.
 D418,967 S 1/2000 Stengel
 D422,128 S 4/2000 Adler
 6,161,313 A 12/2000 Bisson
 D437,476 S 2/2001 Cavallin et al.
 D438,972 S 3/2001 Darby
 D446,000 S 8/2001 Price
 D452,070 S 12/2001 Holmes
 D453,861 S 2/2002 Yake et al.
 6,389,715 B1 5/2002 Krajcir
 D464,475 S 10/2002 Isackson et al.
 D468,520 S 1/2003 Holmes
 6,631,569 B1 10/2003 Scharbius et al.
 D507,402 S 7/2005 Laberge
 D555,291 S 11/2007 Danzo
 7,305,776 B2 12/2007 Hess
 7,328,526 B2 2/2008 Peterson
 D594,161 S 6/2009 Worden
 D608,007 S 1/2010 Arbesman et al.
 D614,853 S 5/2010 Warren et al.
 D622,057 S 8/2010 Warren et al.
 D625,502 S 10/2010 Brambilla
 D638,995 S 5/2011 Hanlon
 D665,539 S 8/2012 Manalo et al.
 D681,831 S 5/2013 Samlaska
 D690,497 S 10/2013 Anderson
 D696,499 S 12/2013 Lehtinen
 8,635,789 B2 1/2014 Spiller et al.
 8,661,712 B2 3/2014 Aveni et al.
 8,677,654 B2* 3/2014 Aveni A43B 23/0215
 36/88
 D714,530 S 10/2014 Scholler et al.
 D736,685 S 8/2015 Darwin
 D770,586 S 11/2016 Sopel et al.
 D783,845 S 4/2017 Peluso
 D793,073 S 8/2017 Hardman
 9,744,065 B2 8/2017 Walborn et al.
 9,788,609 B2 10/2017 James et al.
 D805,274 S 12/2017 Maxie
 D808,029 S 1/2018 Jimenez et al.
 9,867,431 B2 1/2018 Harley
 D821,654 S 6/2018 Roby et al.
 D838,455 S 1/2019 Strother

10,219,582 B2 3/2019 Spiller et al.
 D858,049 S 9/2019 Matsuo
 10,512,303 B2 12/2019 Ramsay et al.
 D876,018 S 2/2020 Dulude et al.
 10,897,932 B2* 1/2021 Gibson A43B 5/0405
 D911,624 S 2/2021 Dulude et al.
 D912,332 S 3/2021 Dulude et al.
 D913,601 S 3/2021 Dulude et al.
 D919,941 S 5/2021 Dulude et al.
 D920,587 S 5/2021 Dulude et al.
 D921,301 S 6/2021 Dulude et al.
 D930,959 S* 9/2021 Gonzales A47L 23/04
 D2/946
 11,202,486 B2* 12/2021 Lee A43B 5/0456
 11,224,263 B2* 1/2022 Darby A43B 13/188
 D943,754 S* 2/2022 Bouma D24/192
 D943,981 S* 2/2022 Dulude D2/977
 2002/0104174 A1 8/2002 Bartlett et al.
 2008/0115387 A1 5/2008 Walworth et al.
 2013/0081308 A1 4/2013 Woods
 2014/0259773 A1 9/2014 Johnson
 2018/0042337 A1 2/2018 Davis
 2019/0297988 A1 10/2019 Oden et al.
 2019/0350307 A1 11/2019 Bergeron
 2019/0387811 A1 12/2019 Gibson et al.
 2020/0121028 A1 4/2020 Dulude
 2020/0275727 A1* 9/2020 Beltran B32B 25/14
 2021/0093043 A1* 4/2021 Gould A43B 23/028
 2021/0120915 A1* 4/2021 Panian A43B 1/0018
 2021/0310769 A1* 10/2021 Roby A63B 71/1225
 2021/0368941 A1* 12/2021 Chen A43B 1/0072

OTHER PUBLICATIONS

Product, Reebok Beamer men's sneaker [online] [retrieved Mar. 21, 2019] Retrieved from the internet: URL:<http://reebokwork.com/338/Reebok-Beamer-RB1067>, date not known, 4 pages.
 Extended European Search Report for Application No. EP19204000.4, dated Feb. 21, 2020, pp. 1-3.
 Timberland PRO6 Millworks A1VWT Composite Toe External Met Guard Work Boot (on-line), no date available. Retrieved from internet Aug. 7, 2020, URL:thebootdepot.com/mens/timberland-pro-6-millwork-a1vwt-composite-toe-external-met-guard-work-boot/ (1 page).

* cited by examiner

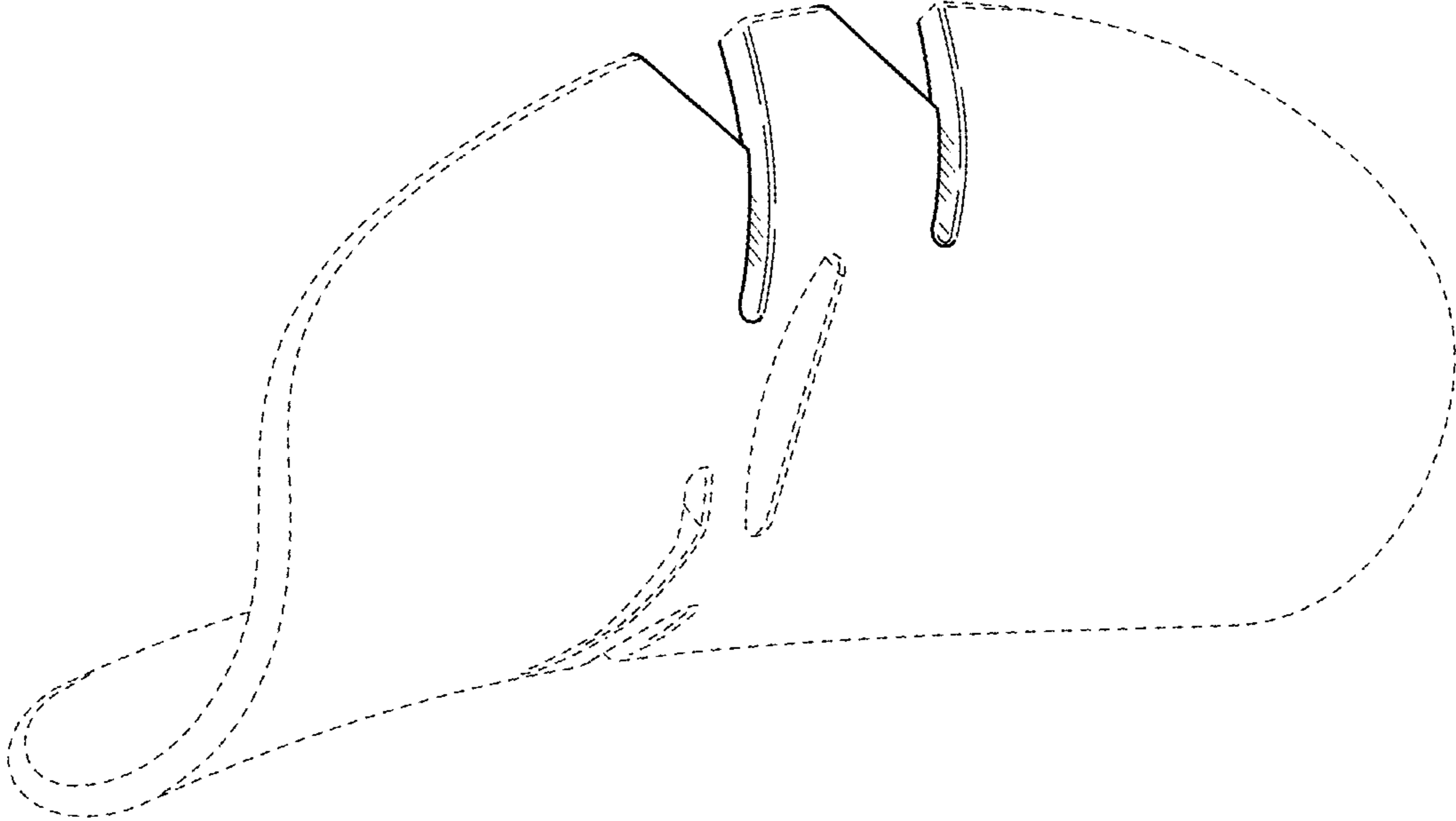


FIG. 1

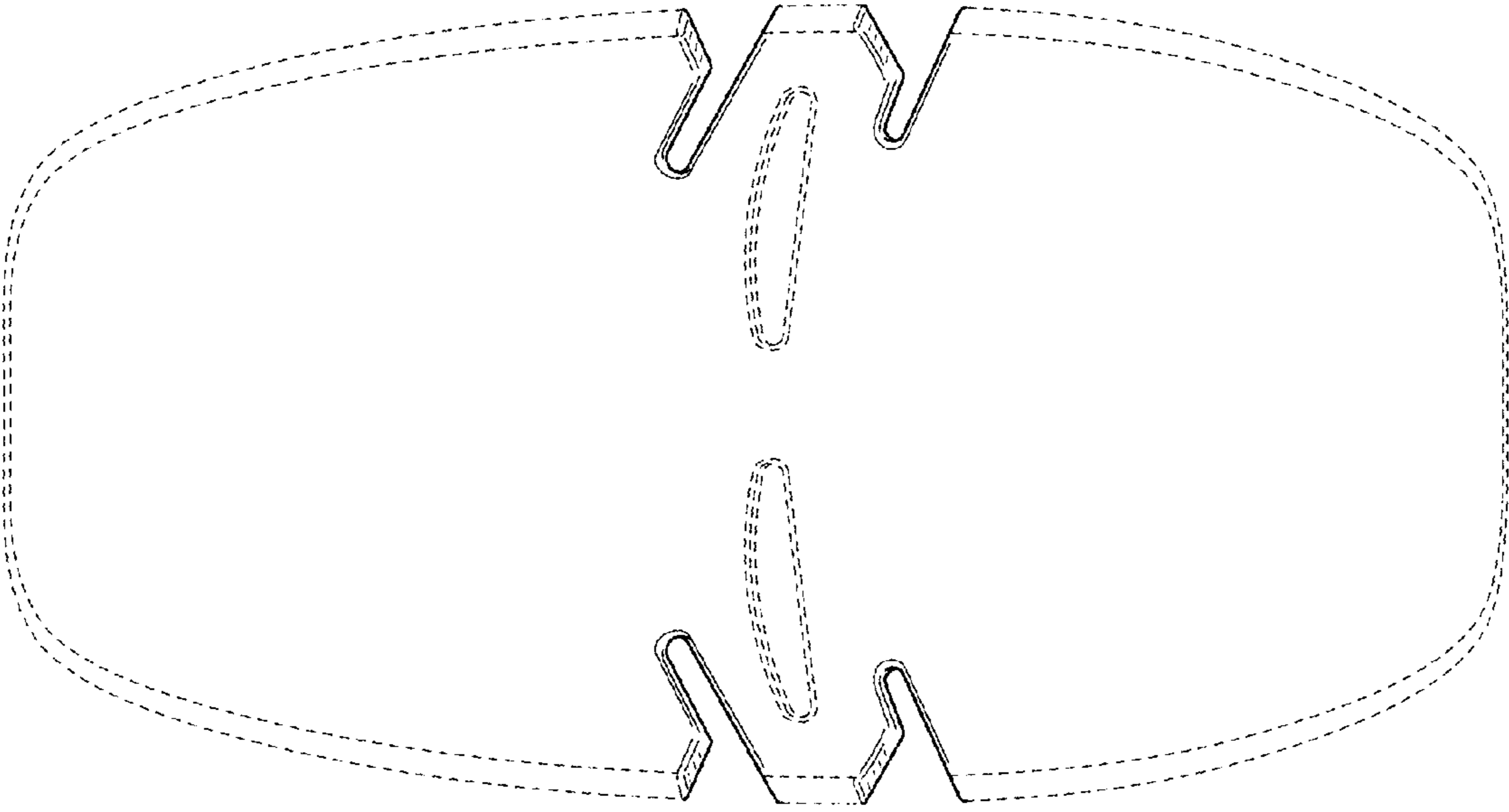


FIG. 3

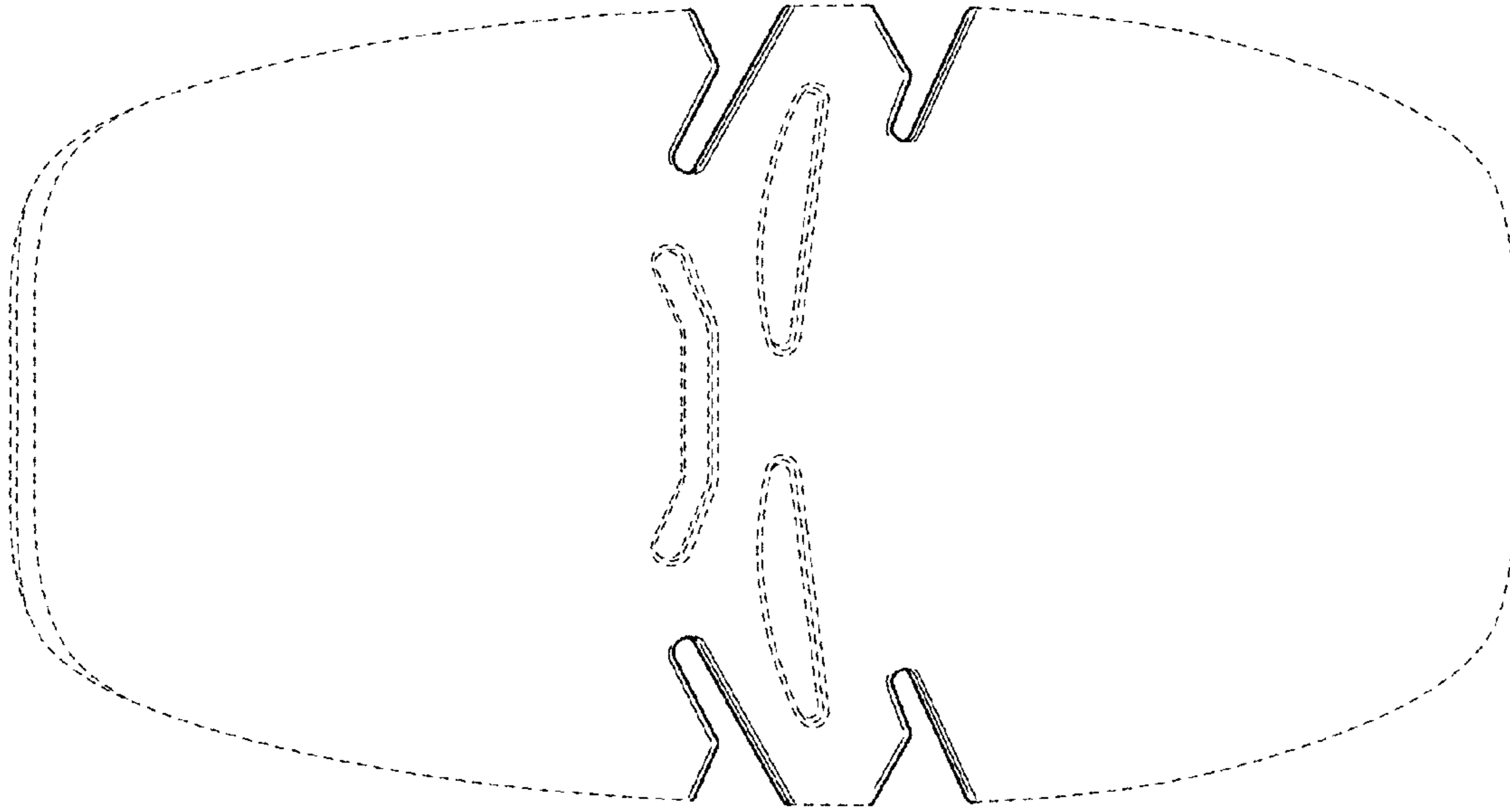


FIG. 2

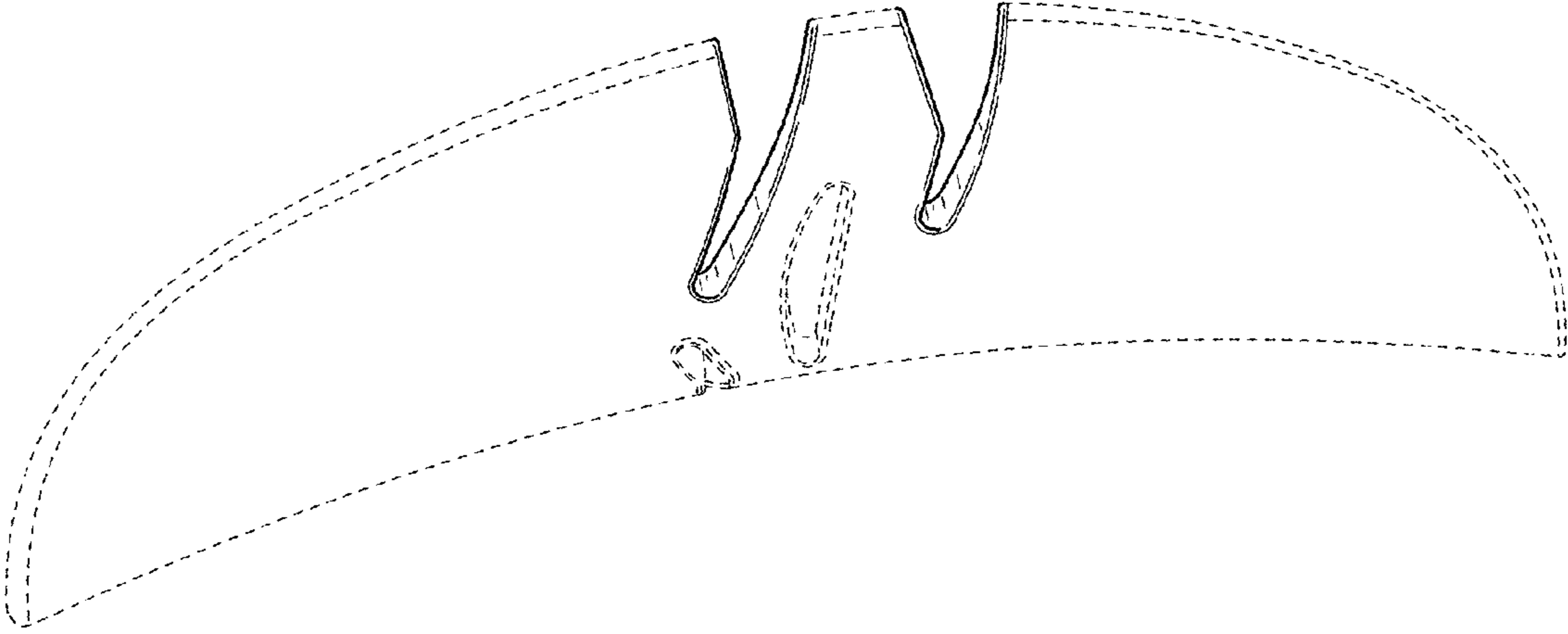


FIG. 5

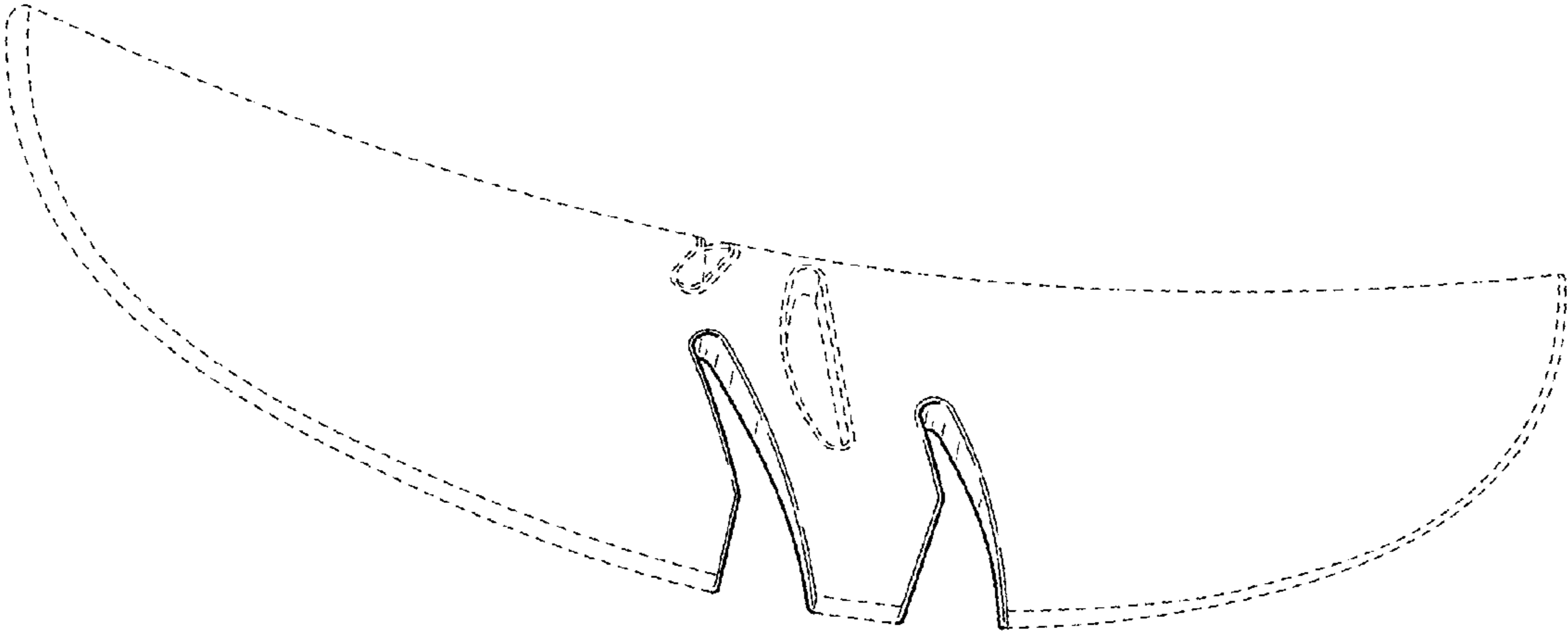


FIG. 4

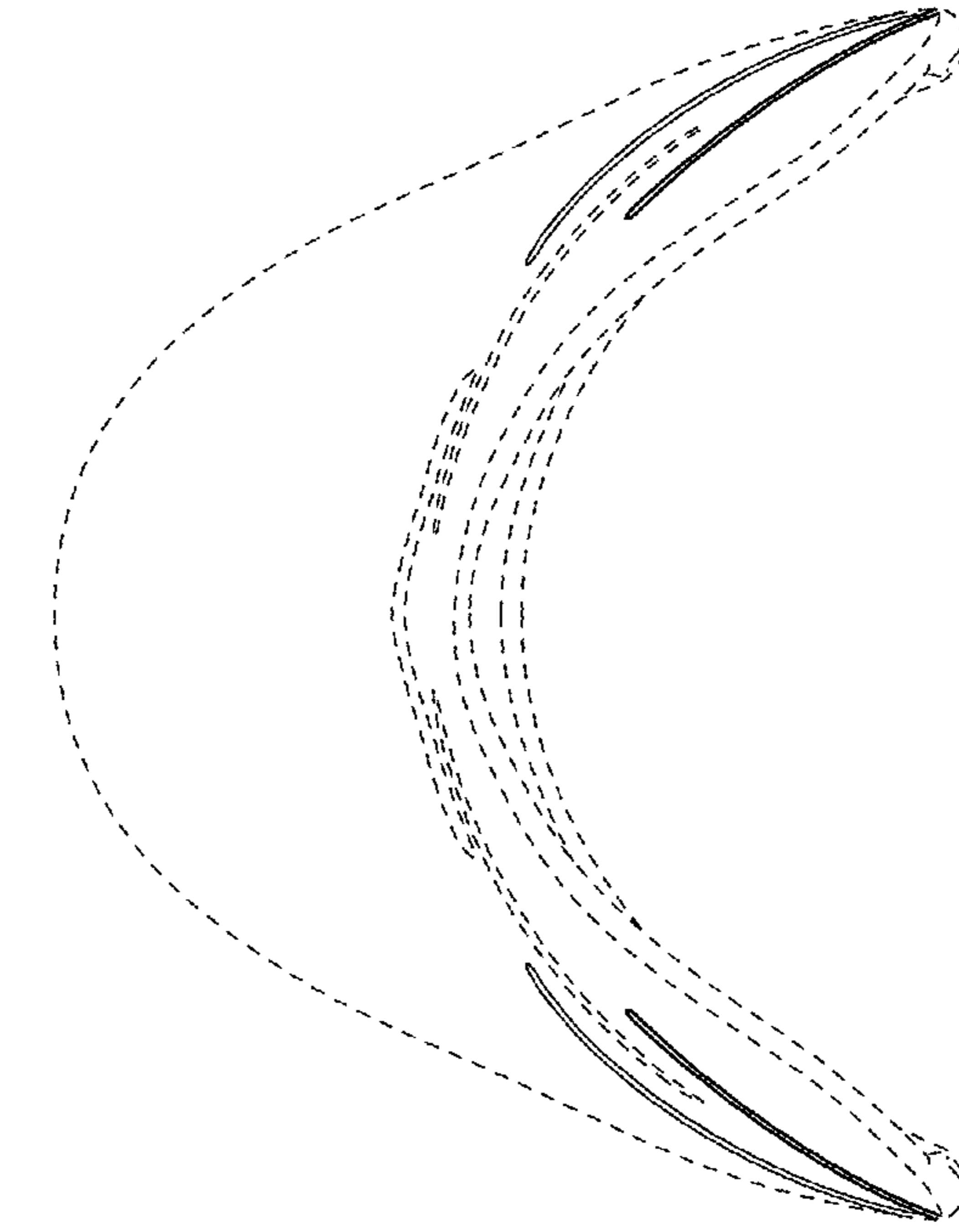


FIG. 7

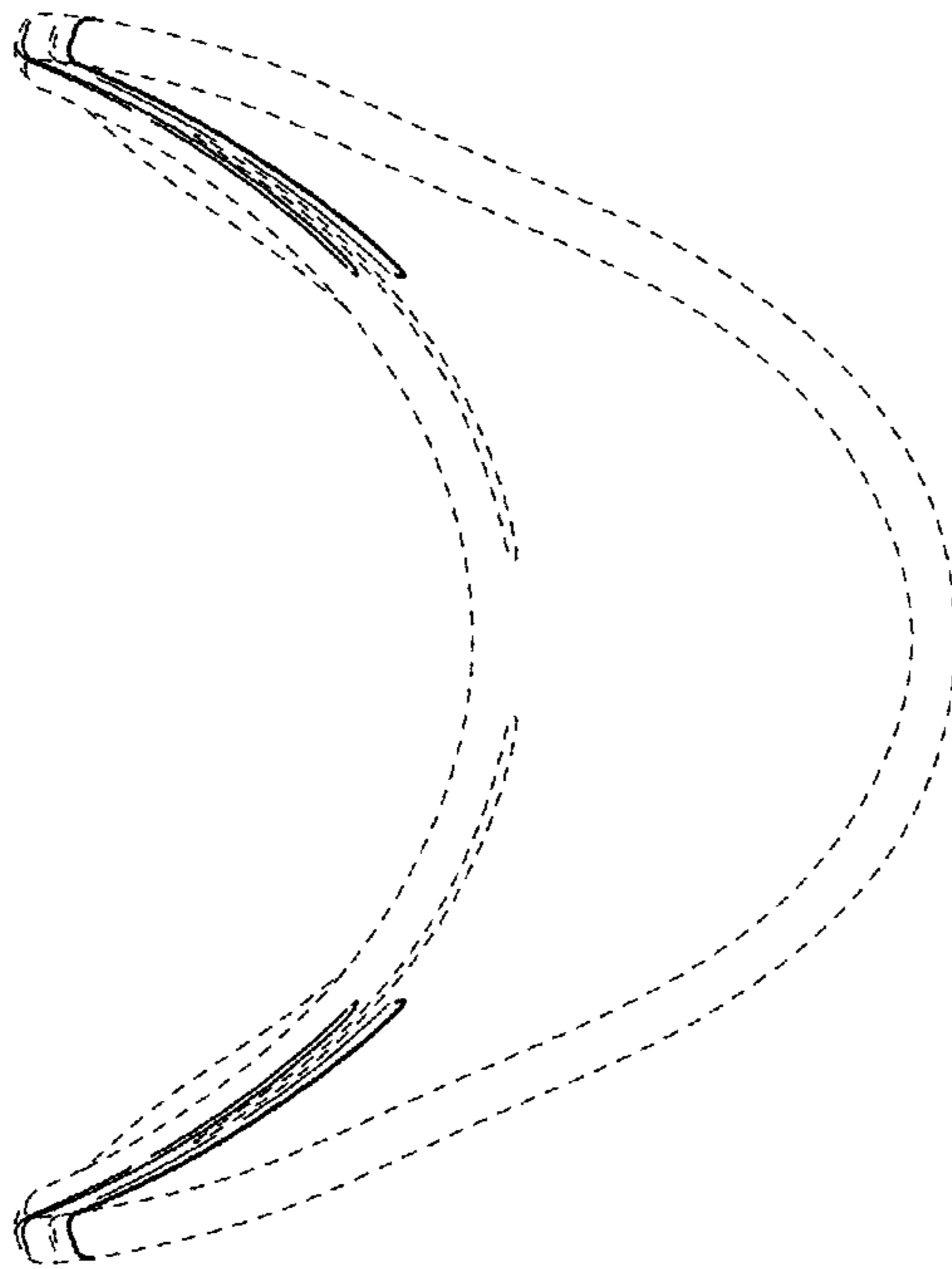


FIG. 6