

US00D959746S

(12) **United States Design Patent**  
**Wen**

(10) **Patent No.:** **US D959,746 S**

(45) **Date of Patent:** **\*\* Aug. 2, 2022**

(54) **FOOT GRINDER**

(71) Applicant: **Wenzhou Ruiyu Electrical Appliance Co., Ltd.**, Wenzhou (CN)

(72) Inventor: **Chenggen Wen**, Yichun (CN)

(\*\*) Term: **15 Years**

(21) Appl. No.: **29/777,029**

(22) Filed: **Apr. 2, 2021**

(51) **LOC (13) Cl.** ..... **28-03**

(52) **U.S. Cl.**  
USPC ..... **D28/58**

(58) **Field of Classification Search**  
USPC ..... D24/211; D28/59, 58  
CPC ..... A61B 17/54-545; A45D 29/05  
See application file for complete search history.

(56) **References Cited**

**U.S. PATENT DOCUMENTS**

D692,181 S *	10/2013	Yiu	.....	D28/59
D739,080 S *	9/2015	Yiu	.....	D28/62
D752,812 S *	3/2016	Sivan	.....	D28/59
D759,311 S *	6/2016	Khubani	.....	D28/59
D765,914 S *	9/2016	Khubani	.....	D28/59
D780,997 S *	3/2017	Leventhal	.....	D28/59
D780,998 S *	3/2017	Yiu	.....	D28/59
D781,498 S *	3/2017	Pel	.....	D28/59
D781,499 S *	3/2017	Pel	.....	D28/59
D820,522 S *	6/2018	Colin	.....	D28/59
D824,596 S *	7/2018	Gobber	.....	A45D 29/00 D28/59
D841,176 S *	2/2019	Gaquiere	.....	D24/211
D849,259 S *	5/2019	Gaquiere	.....	D24/211
D850,724 S *	6/2019	Luo	.....	D28/59
D865,201 S *	10/2019	Gaquiere	.....	D24/211

D865,202 S *	10/2019	Gaquiere	.....	D24/211
D865,293 S *	10/2019	Adams	.....	D28/59
D890,941 S *	7/2020	Gaquiere	.....	D24/211
D901,081 S *	11/2020	Tang	.....	D28/59
D939,098 S *	12/2021	Lombardo	.....	D24/211

**OTHER PUBLICATIONS**

Electric Foot File by RUEOO, www.amazon.co.uk, first available Aug. 2020, 1 page (Year: 2020).\*

Electric Foot Callus Remover by Geopu, www.amazon.com, 1 page, available Feb. 2022 (Year: 2022).\*

\* cited by examiner

*Primary Examiner* — Jennifer Rivard

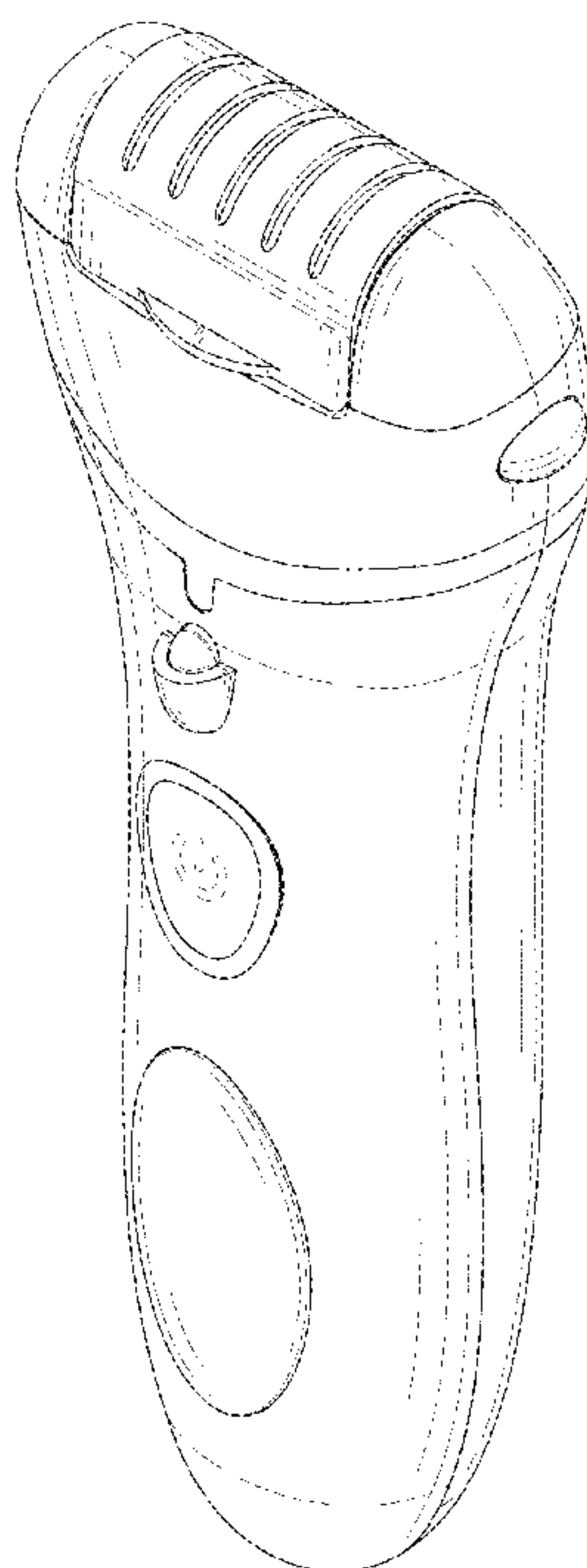
(57) **CLAIM**

The ornamental design for a foot grinder, as shown and described.

**DESCRIPTION**

FIG. 1 is a front and top perspective view of a foot grinder, showing my new design;  
FIG. 2 is a rear and bottom perspective view thereof;  
FIG. 3 is a front elevation view thereof;  
FIG. 4 is a rear elevation view thereof;  
FIG. 5 is a left side elevation view thereof;  
FIG. 6 is a right side elevation view thereof;  
FIG. 7 is a top plan view thereof; and,  
FIG. 8 is a bottom plan view thereof.  
The broken lines in the figures illustrate portions of the foot grinder that form no part of the claimed design.

**1 Claim, 8 Drawing Sheets**



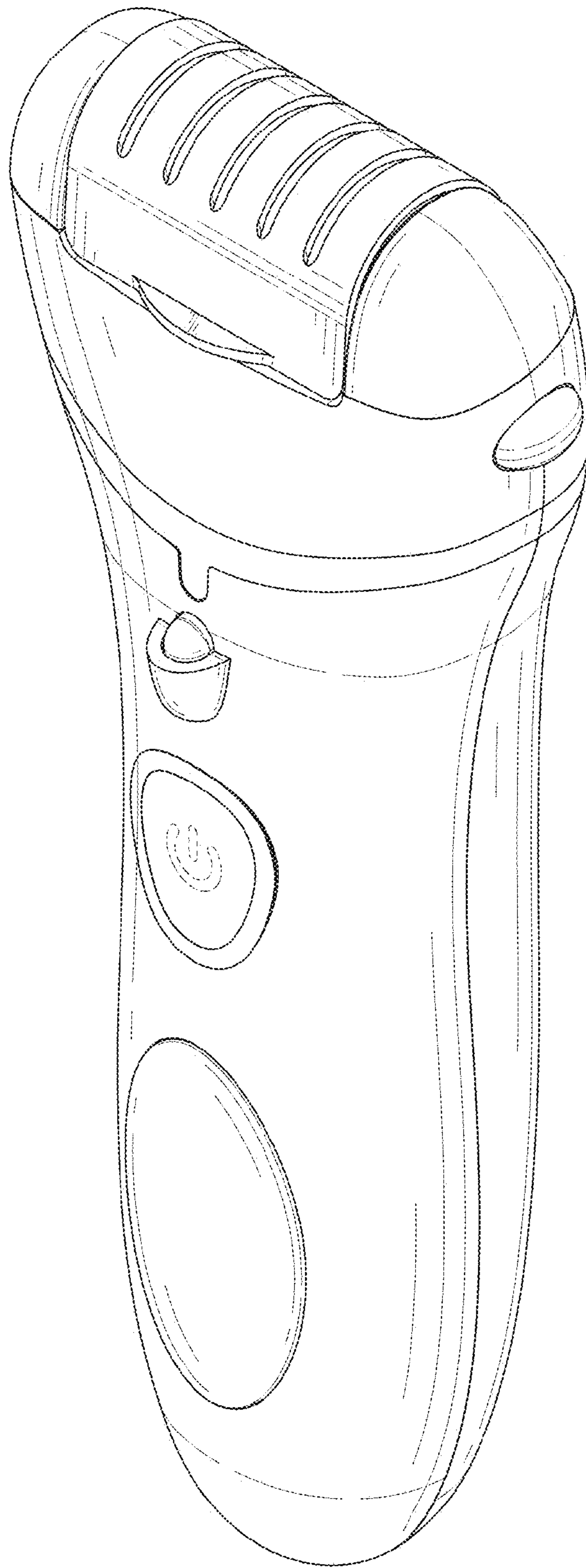


FIG. 1

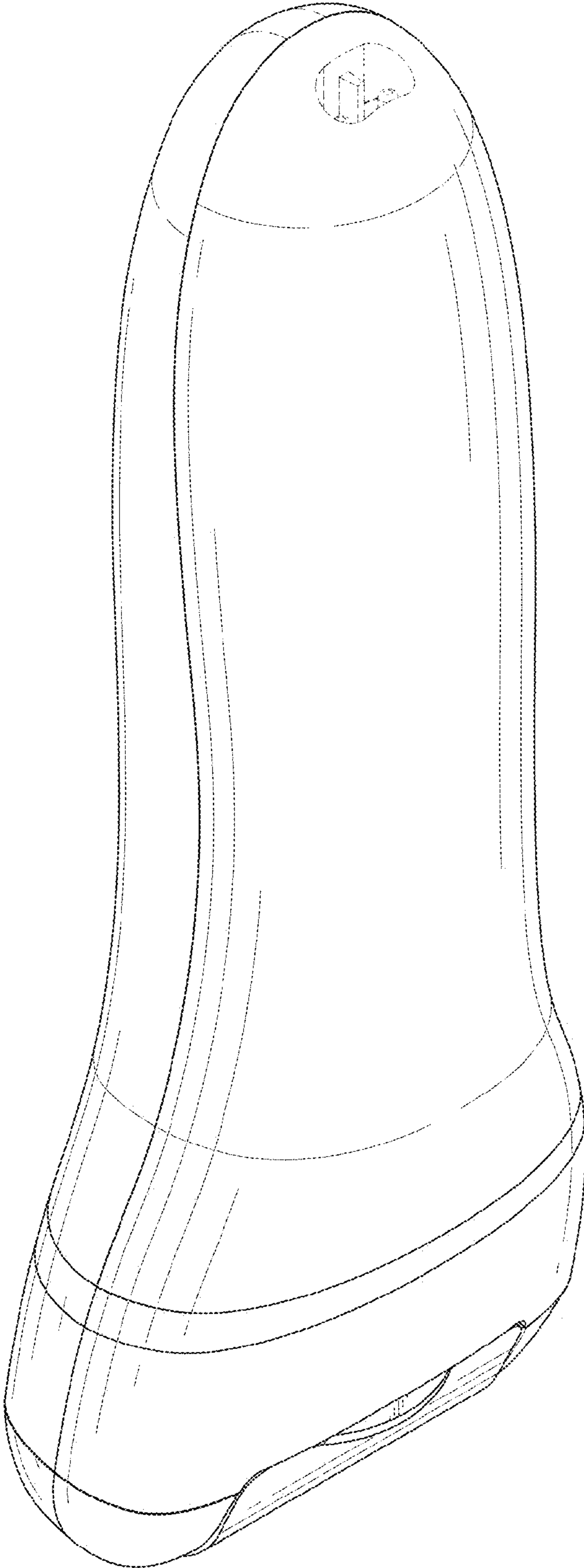


FIG. 2

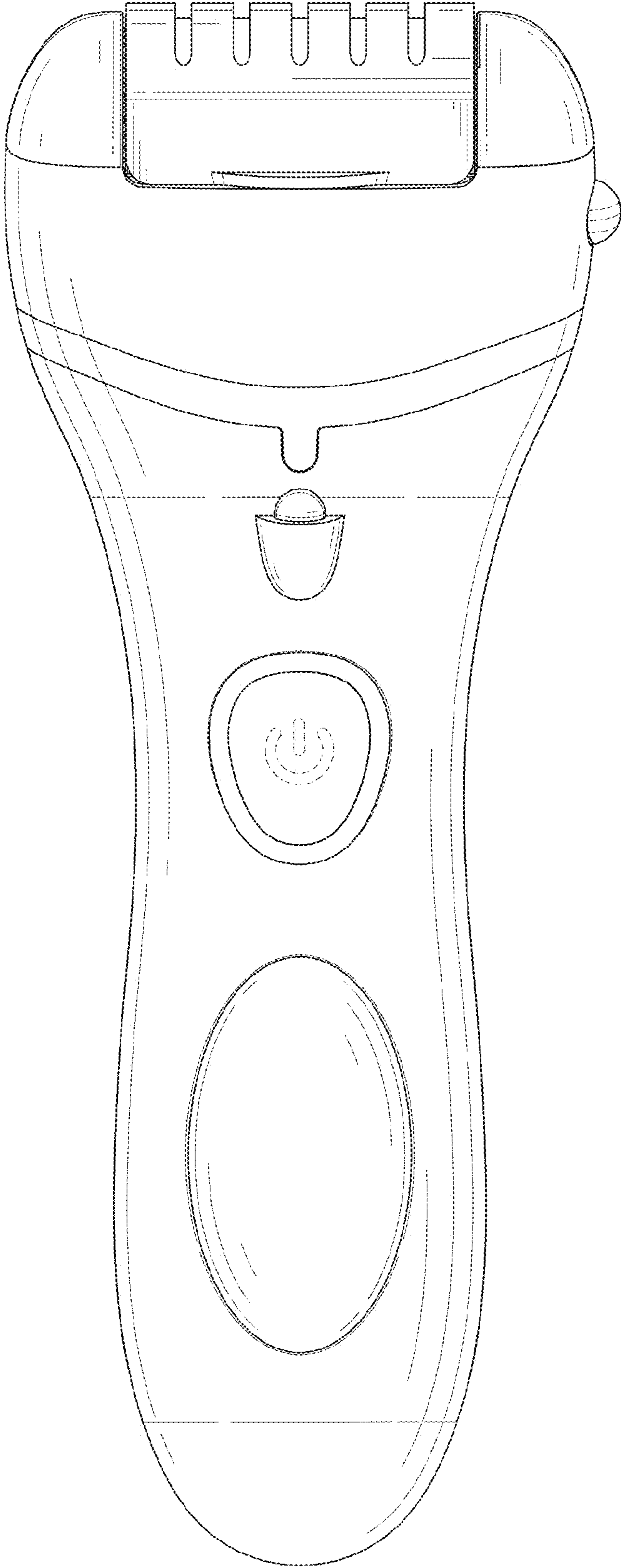


FIG. 3

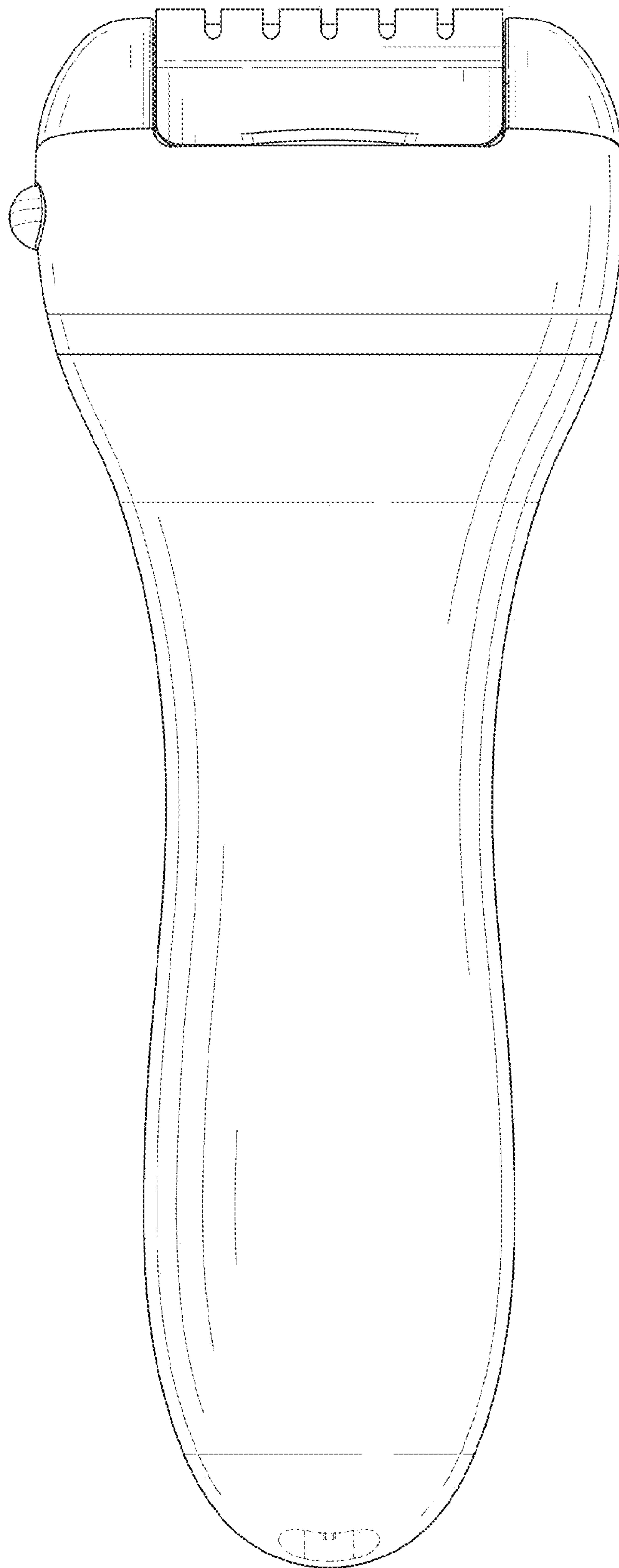


FIG. 4



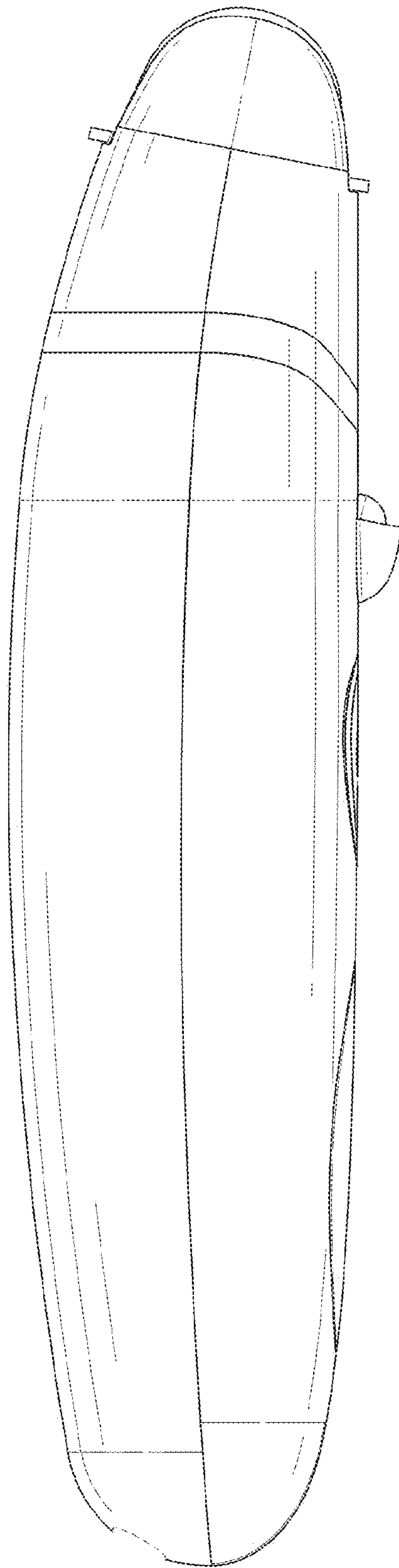


FIG. 5

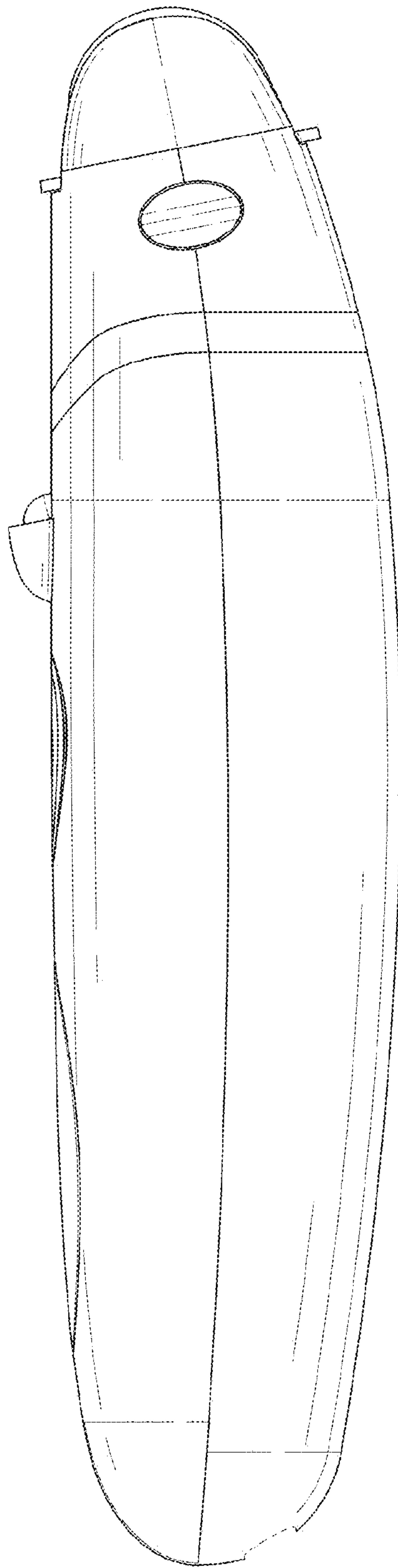


FIG. 6

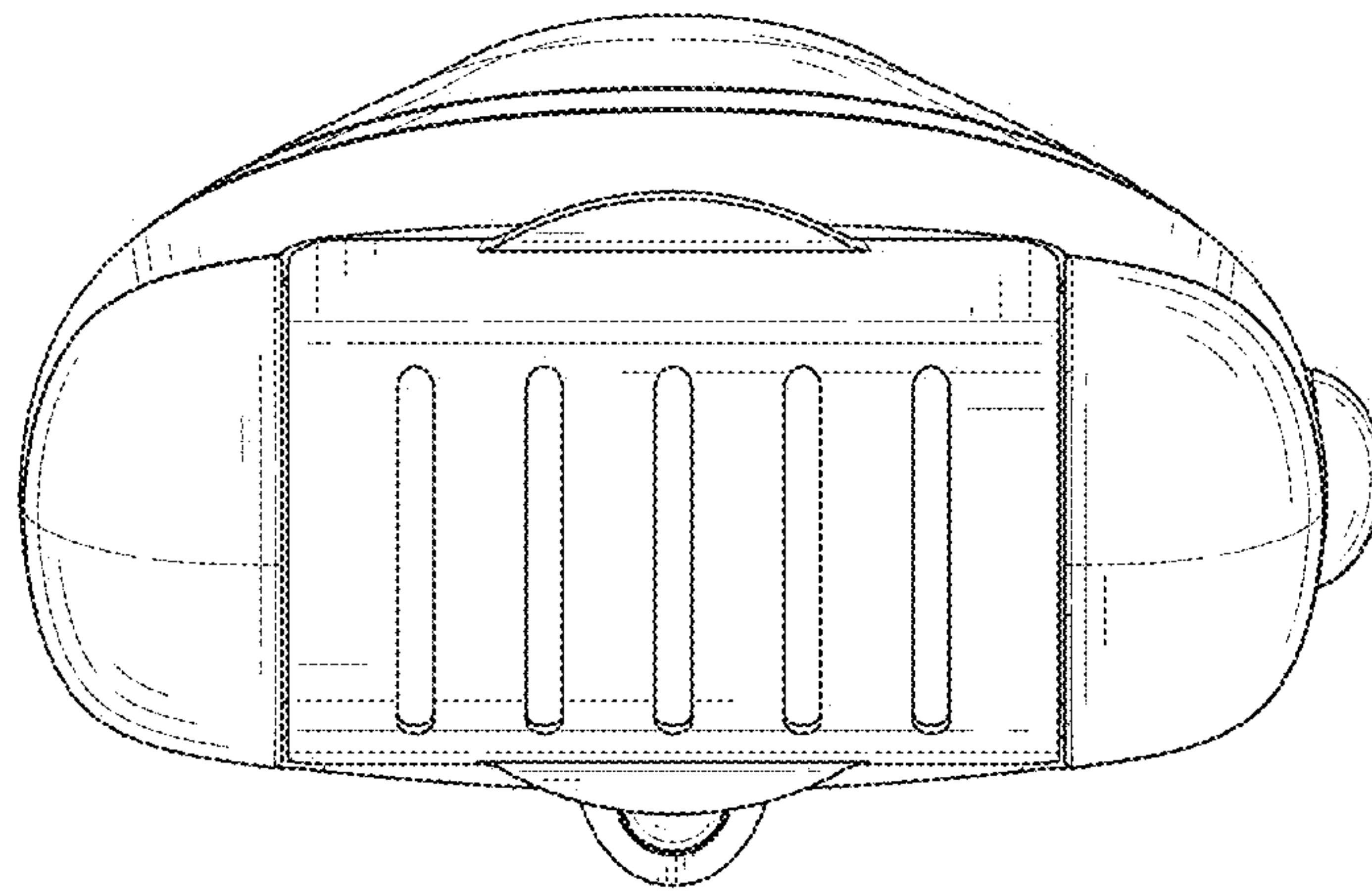


FIG. 7



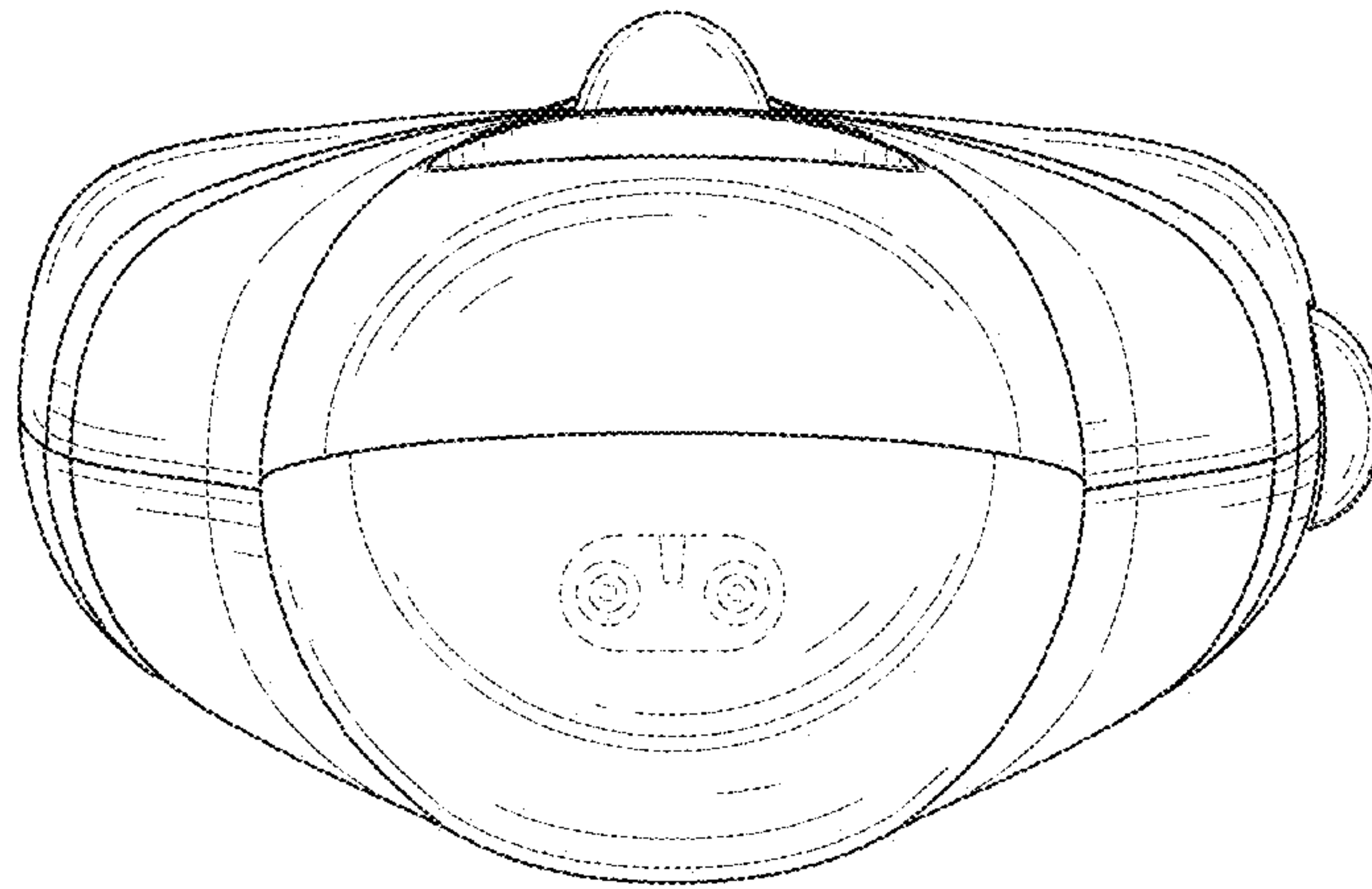


FIG. 8