



US00D959743S

(12) **United States Design Patent** (10) **Patent No.:** **US D959,743 S**
Holzmann et al. (45) **Date of Patent:** **** Aug. 2, 2022**

- (54) **HAND DRYER**
- (71) Applicant: **Bradley Corporation**, Menomonee Falls, WI (US)
- (72) Inventors: **Simon Holzmann**, Zorneding (DE); **Stefan Hillenmayer**, Munich (DE); **Ning Zhou**, Munich (DE); **Laura Beth Stang**, Mukwonago, WI (US)
- (73) Assignee: **Bradley Corporation**, Menomonee Falls, WI (US)
- (**) Term: **15 Years**
- (21) Appl. No.: **29/728,355**
- (22) Filed: **Mar. 18, 2020**
- (51) **LOC (13) Cl.** **28-03**
- (52) **U.S. Cl.**
 USPC **D28/54.1**
- (58) **Field of Classification Search**
 USPC D28/12, 54.1, 58; D23/357, 361, 385
 CPC F26B 21/004; A45D 20/00; A47K 10/48;
 B05B 1/04
 See application file for complete search history.

- D726,444 S 4/2015 Giovannoni
 D726,445 S 4/2015 Giovannoni
 D758,019 S * 5/2016 Takiguchi D28/54.1
 D762,008 S * 7/2016 Pristatskiy D28/54.1
 D776,352 S * 1/2017 Gagnon D28/54.1
 D780,995 S * 3/2017 Ayre D28/54.1
 D790,873 S 7/2017 Ku et al.
 D796,866 S 9/2017 Johnson
 D796,867 S 9/2017 Johnson
 D796,868 S 9/2017 Johnson
 D809,819 S 2/2018 Johnson

(Continued)

Primary Examiner — Zenia I Bennett

(74) *Attorney, Agent, or Firm* — Boyle Fredrickson, S.C.

(57) **CLAIM**

The ornamental design for a hand dryer, substantially as shown and described.

DESCRIPTION

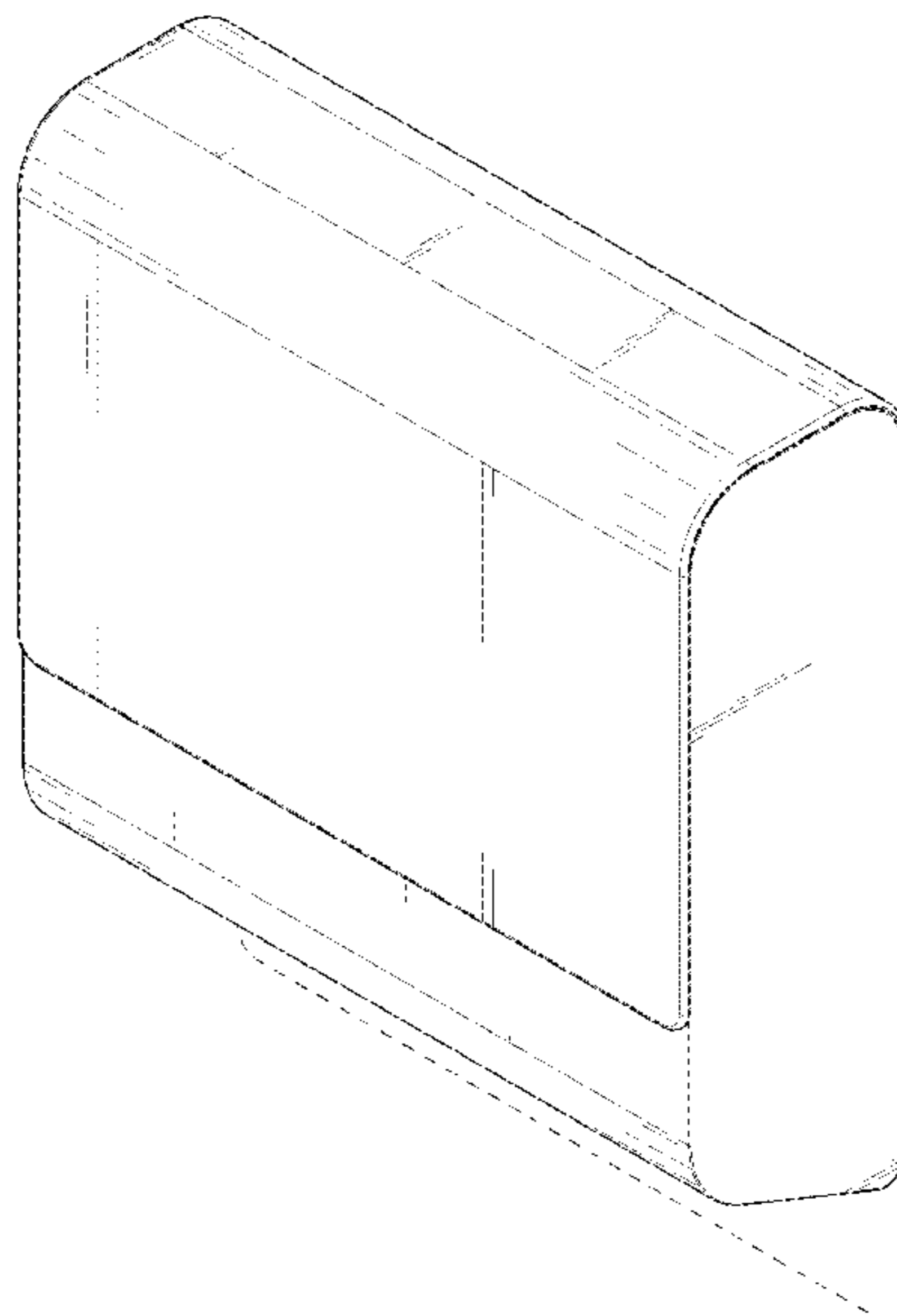
FIG. 1 is a front, raised perspective view of a hand dryer according to a first embodiment of the invention; FIG. 2 is a front view of the hand dryer of FIG. 1; FIG. 3 is a rear view of the hand dryer of FIG. 1; FIG. 4 is a right side view of the hand dryer of FIG. 1; FIG. 5 is a left side view of the hand dryer of FIG. 1; FIG. 6 is a top view of the hand dryer of FIG. 1; FIG. 7 is a bottom view of the hand dryer of FIG. 1; FIG. 8 is a front, raised perspective view of a hand dryer according to a second embodiment of the invention; FIG. 9 is a front view of the hand dryer of FIG. 8; FIG. 10 is a rear view of the hand dryer of FIG. 8; FIG. 11 is a right side view of the hand dryer of FIG. 8; FIG. 12 is a left side view of the hand dryer of FIG. 8; FIG. 13 is a top view of the hand dryer of FIG. 8; and, FIG. 14 is a bottom view of the hand dryer of FIG. 8. The broken lines depicting the center portion of the horizontal edges of the hand dryer are for illustrative purposes and form no part of the claimed design.

1 Claim, 14 Drawing Sheets

(56) **References Cited**

U.S. PATENT DOCUMENTS

- D530,555 S 10/2006 Karraker et al.
 D615,329 S 5/2010 Meyerhoffer
 D616,683 S 6/2010 Law et al.
 D624,340 S 9/2010 Benedetti
 D634,142 S 3/2011 Meyerhoffer
 D634,953 S 3/2011 Meyerhoffer
 D641,578 S 7/2011 Meyerhoffer
 D648,585 S 11/2011 Meyerhoffer
 D653,888 S 2/2012 Velazquez et al.
 D676,603 S * 2/2013 Ishikawa D28/54.1
 D687,653 S 8/2013 Giovannoni
 D703,463 S 4/2014 Giovannoni
 D726,443 S 4/2015 Giovannoni



(56)

References Cited

U.S. PATENT DOCUMENTS

D811,120 S	2/2018	Johnson	
D830,636 S *	10/2018	Loong	D28/54.1
D840,171 S	2/2019	Buell et al.	
D840,712 S	2/2019	Buell et al.	
D840,713 S	2/2019	Buell et al.	
D855,348 S	8/2019	Buell et al.	
D869,193 S	12/2019	Peterson	
D871,672 S *	12/2019	Hongfei	D28/54.1

* cited by examiner

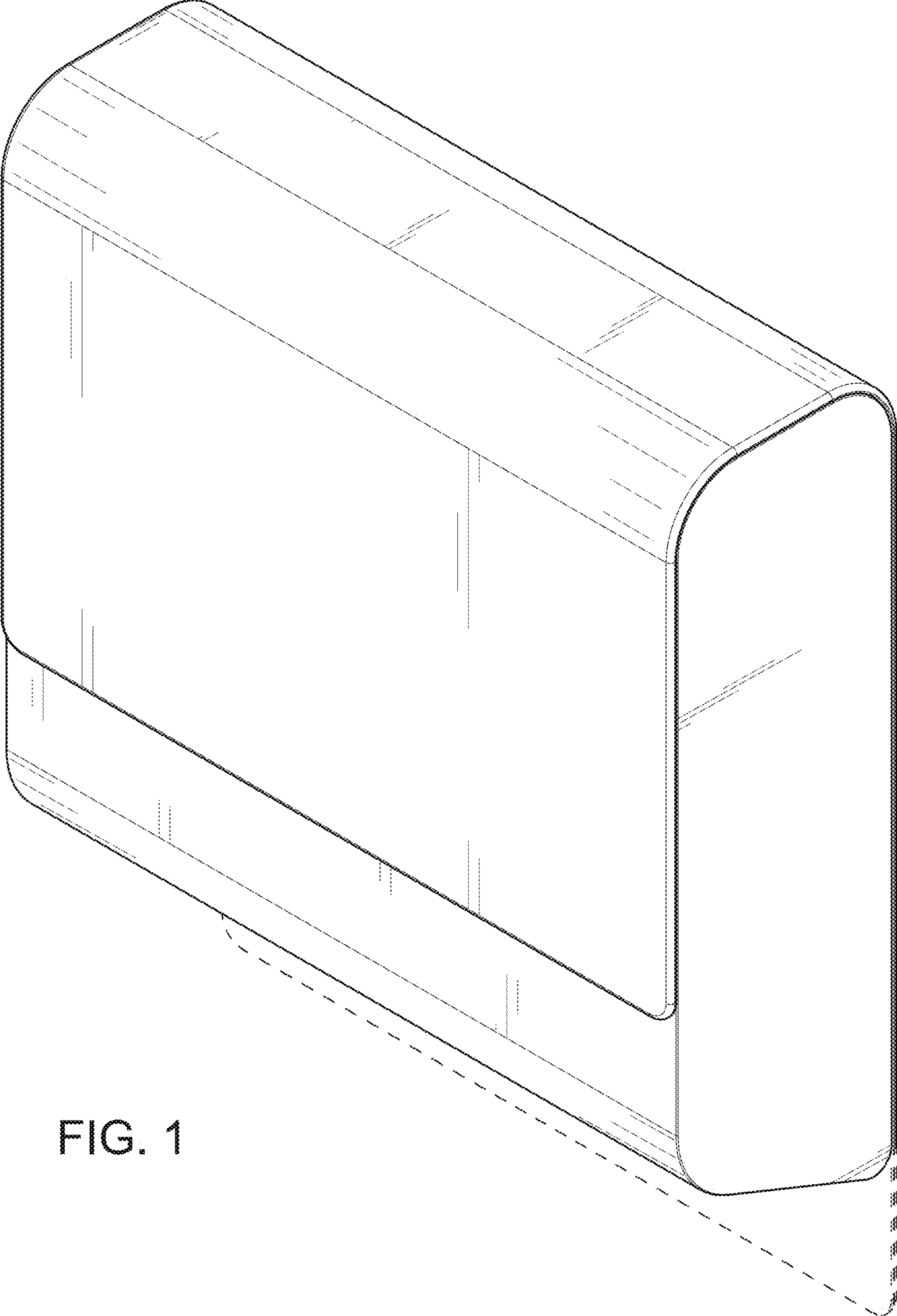


FIG. 1

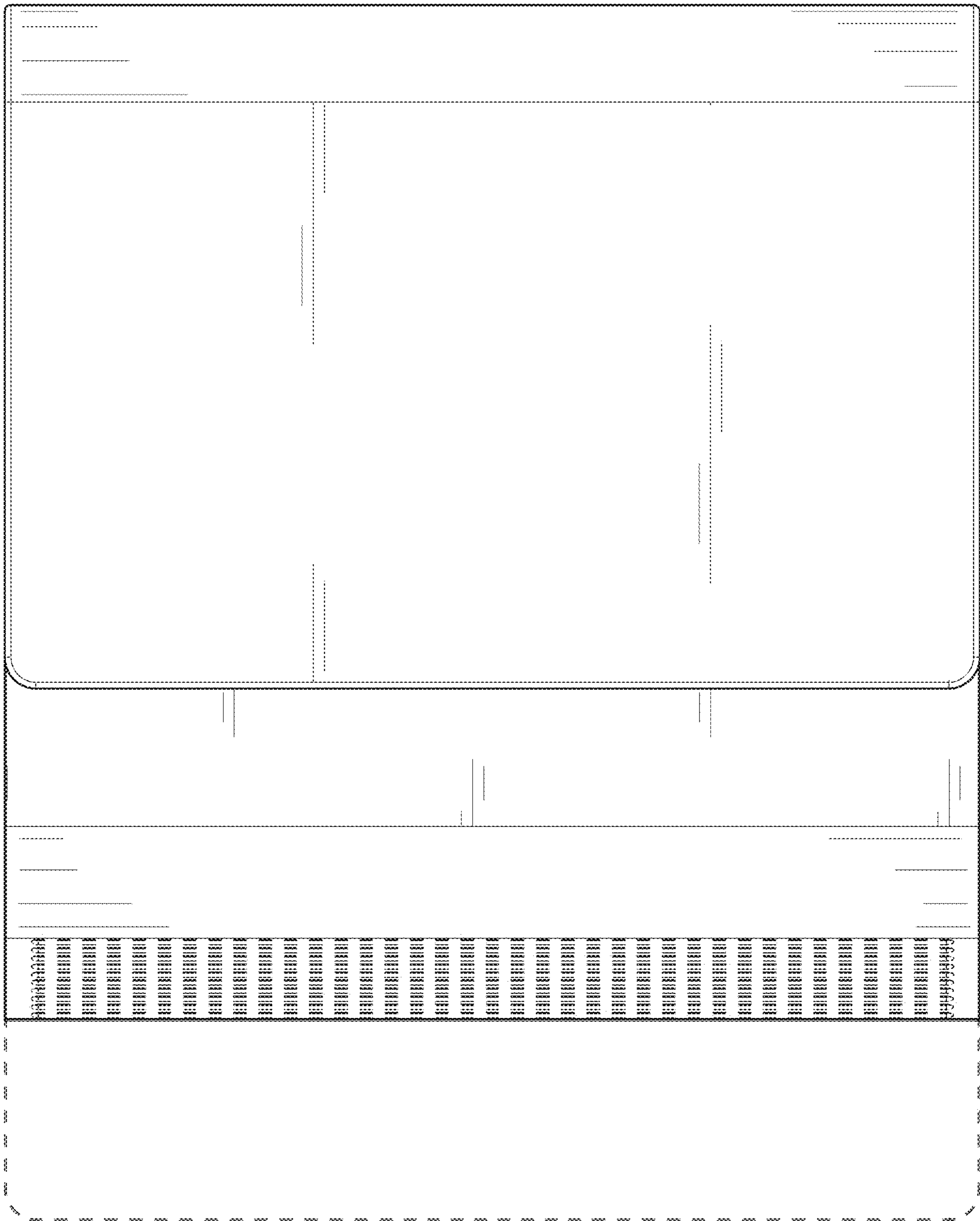


FIG. 2

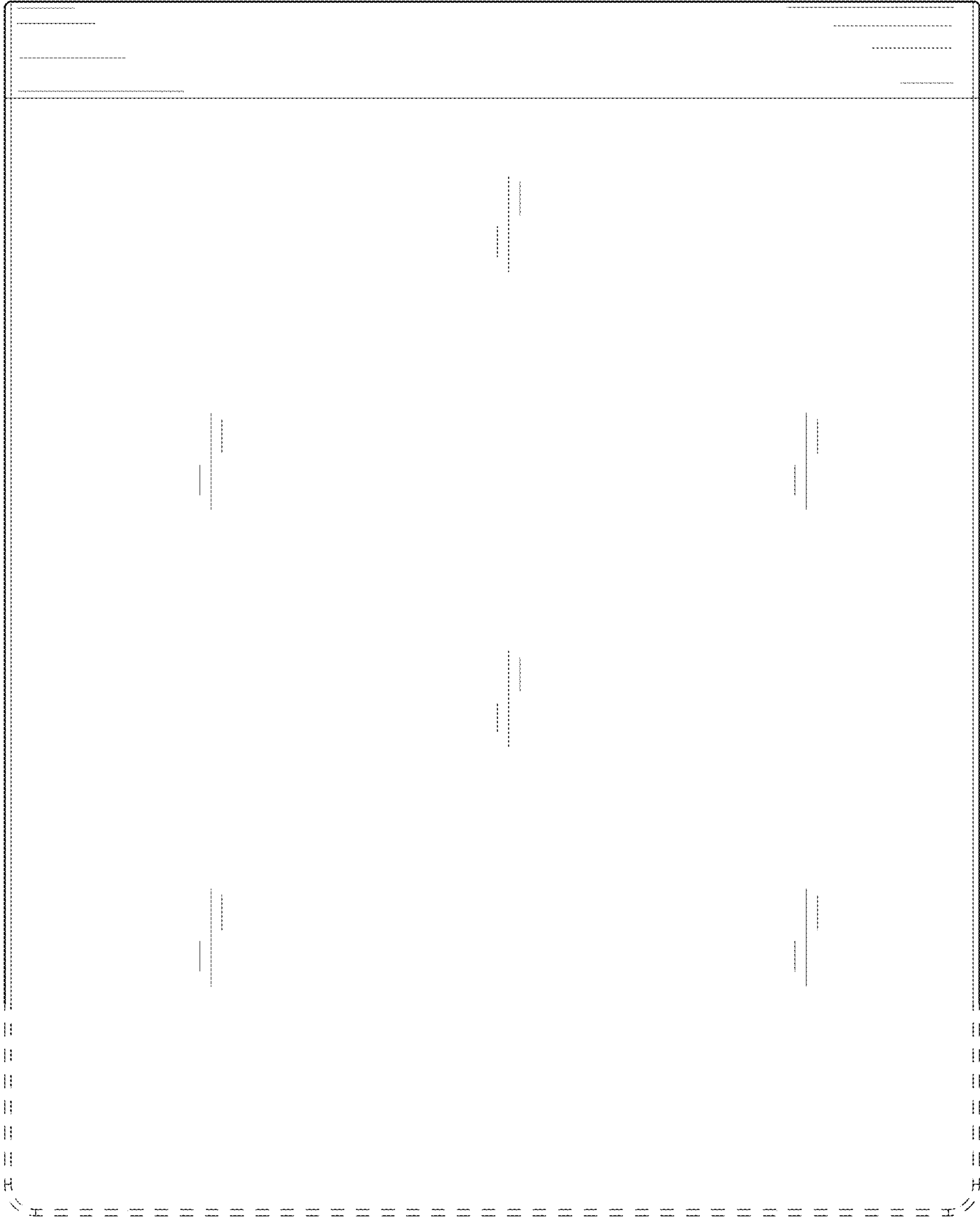


FIG. 3

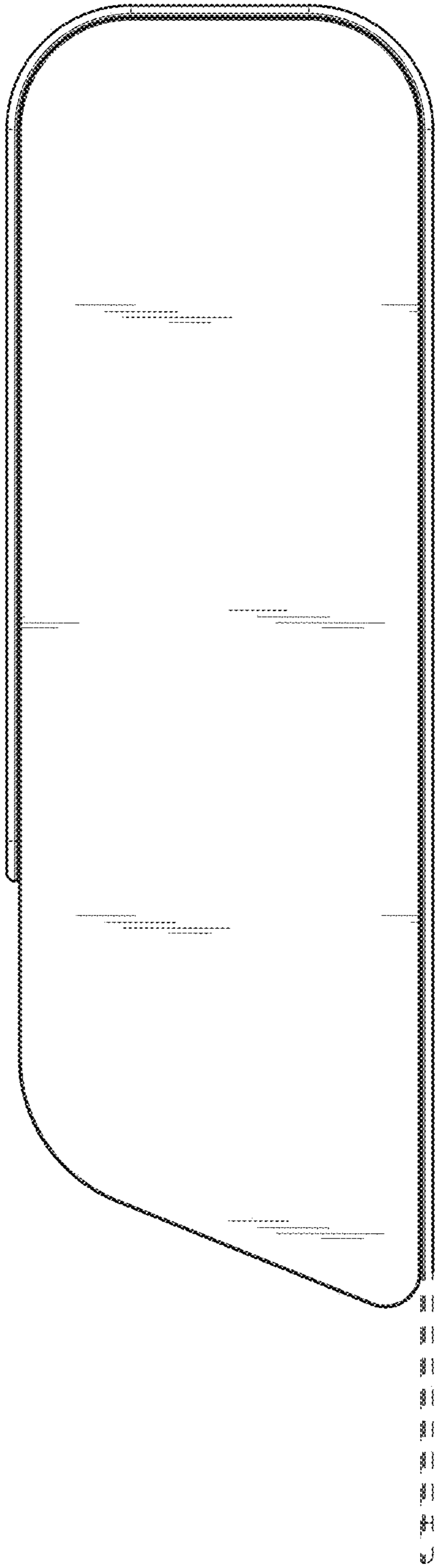


FIG. 4

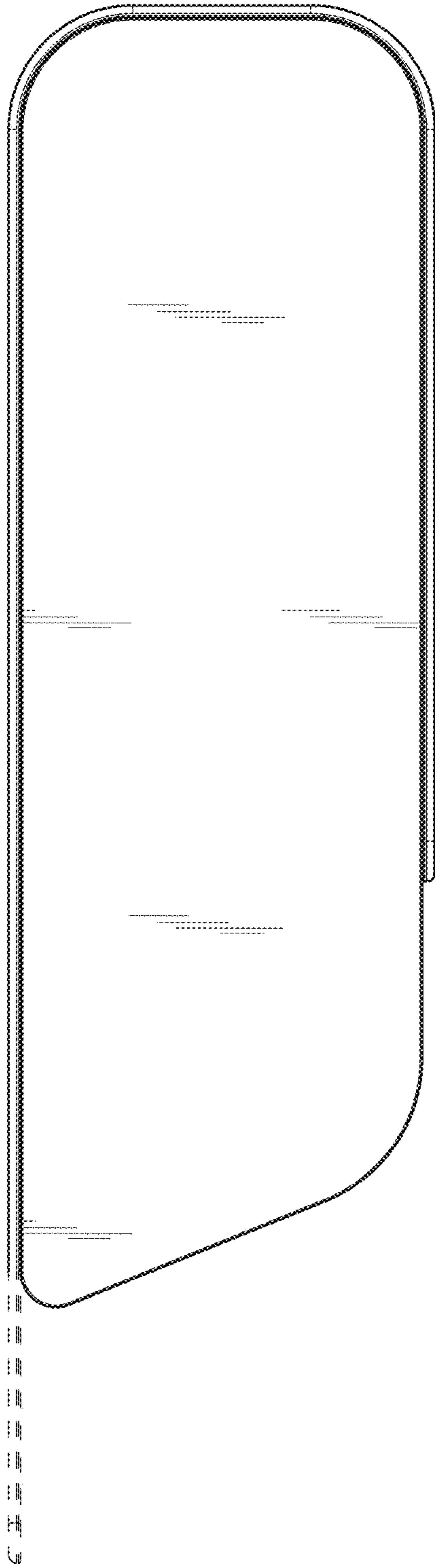


FIG. 5

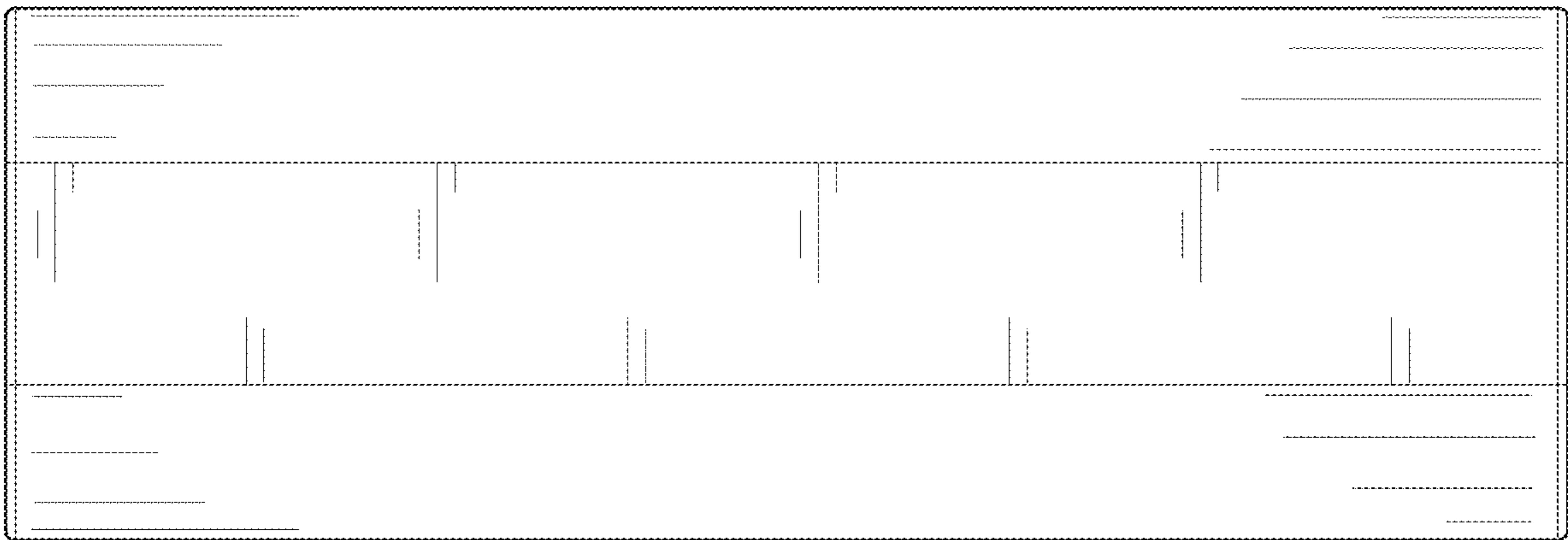


FIG. 6

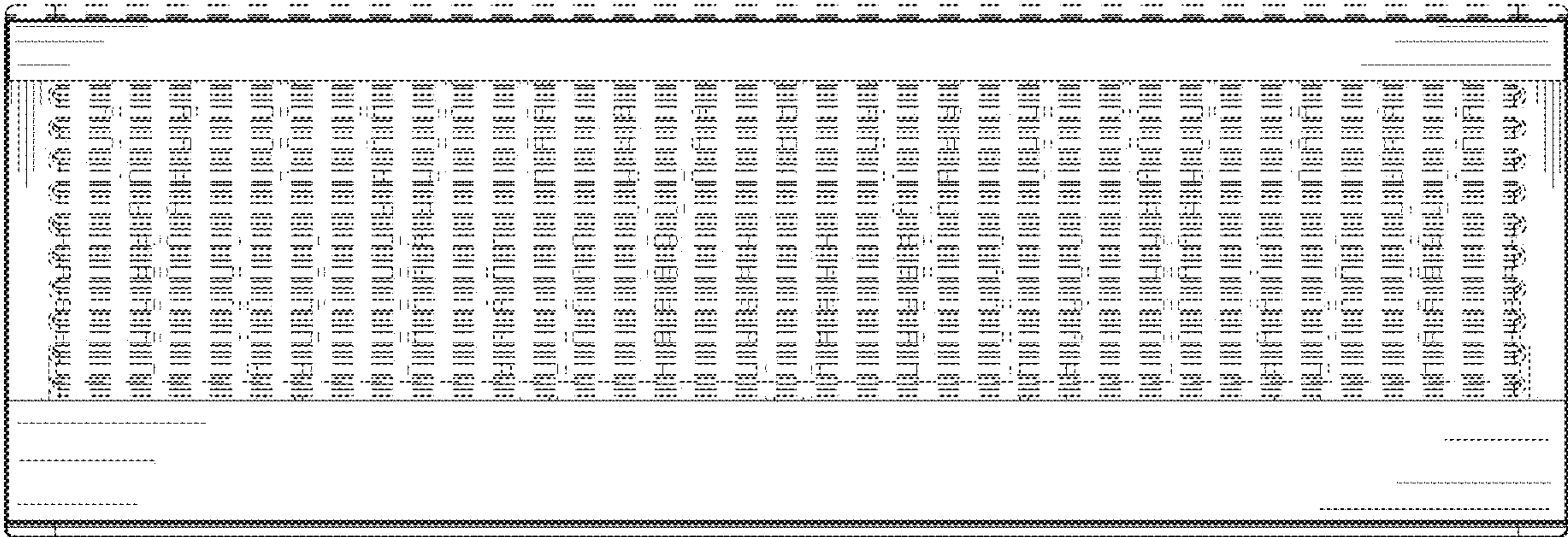


FIG. 7

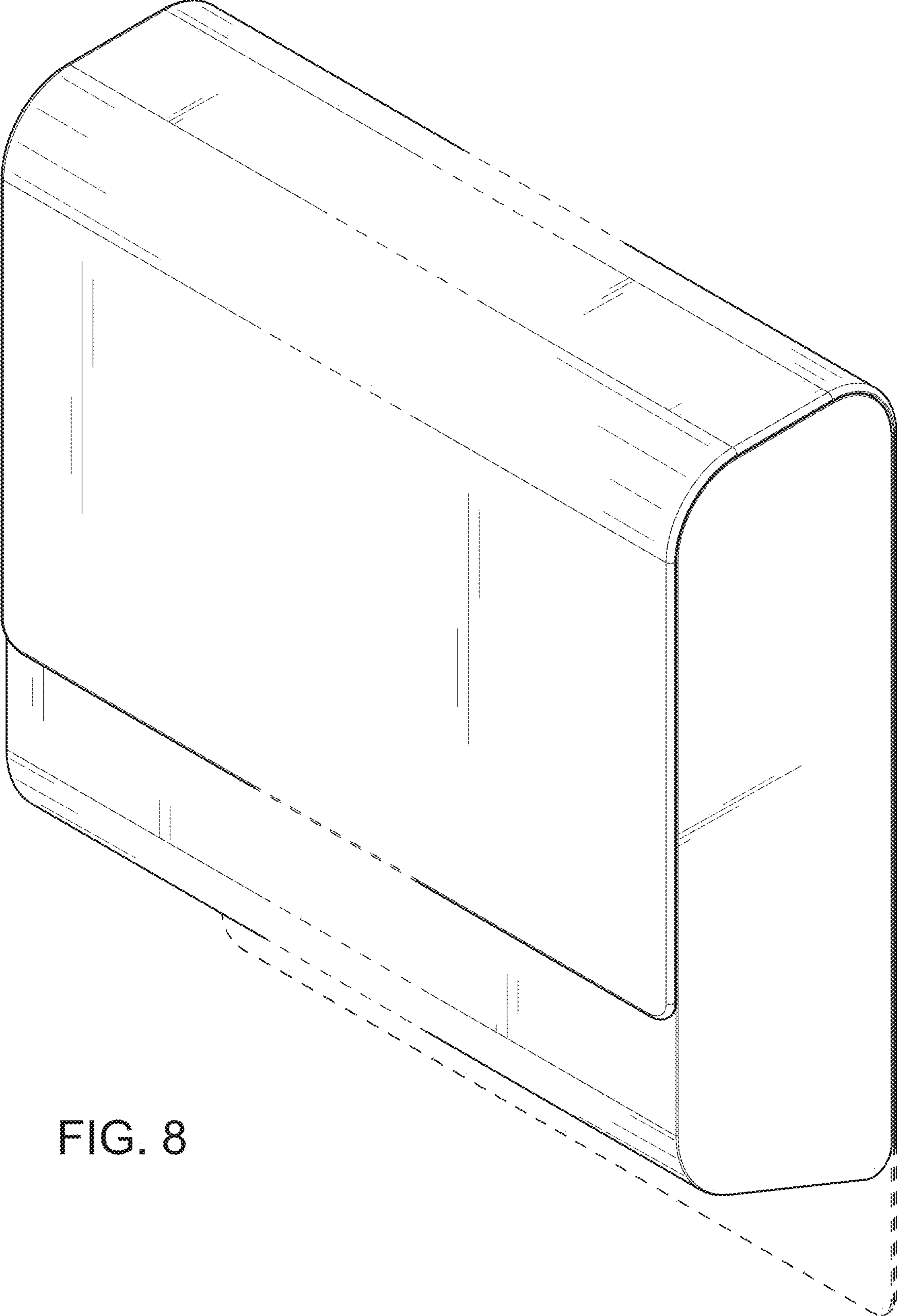


FIG. 8

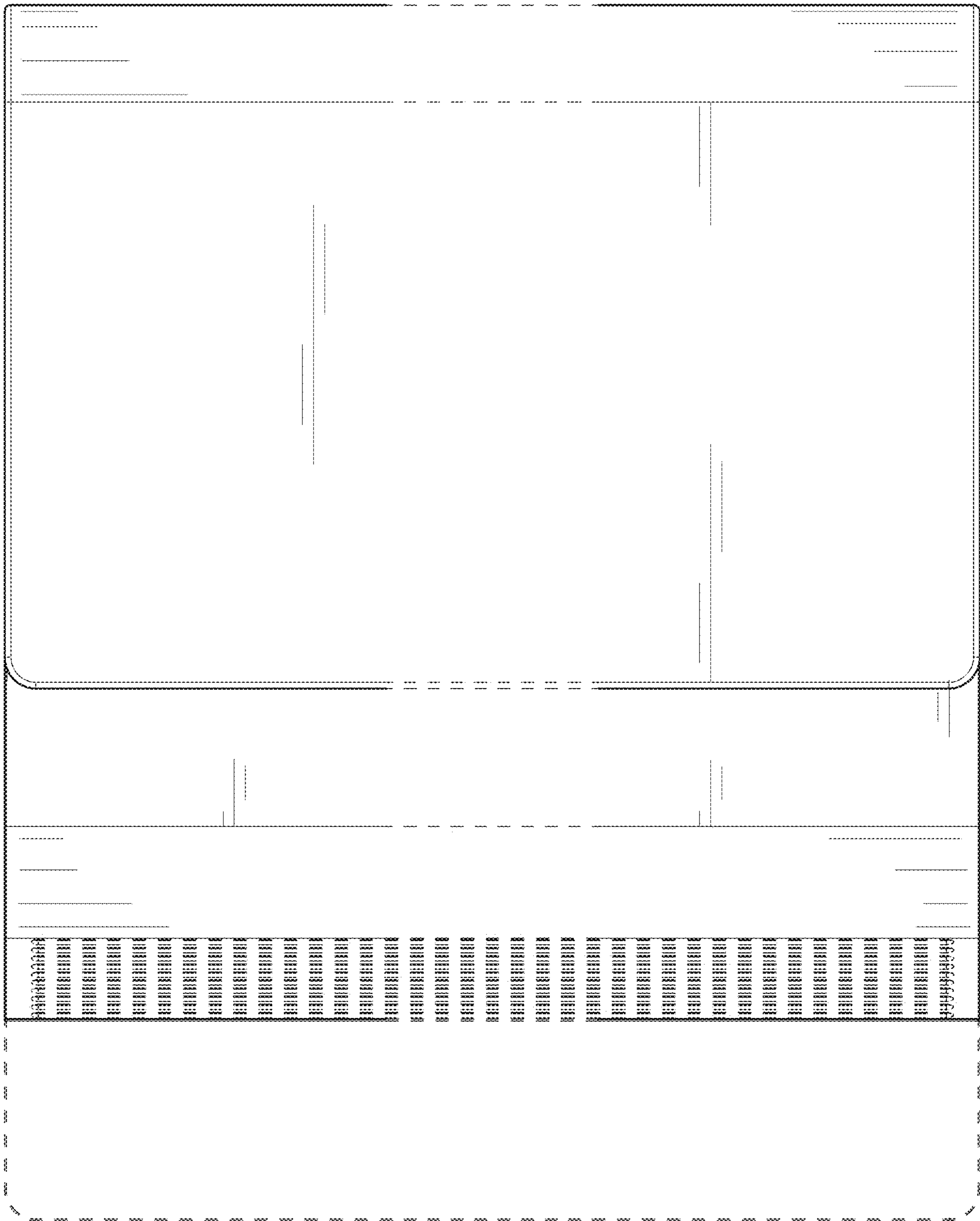


FIG. 9

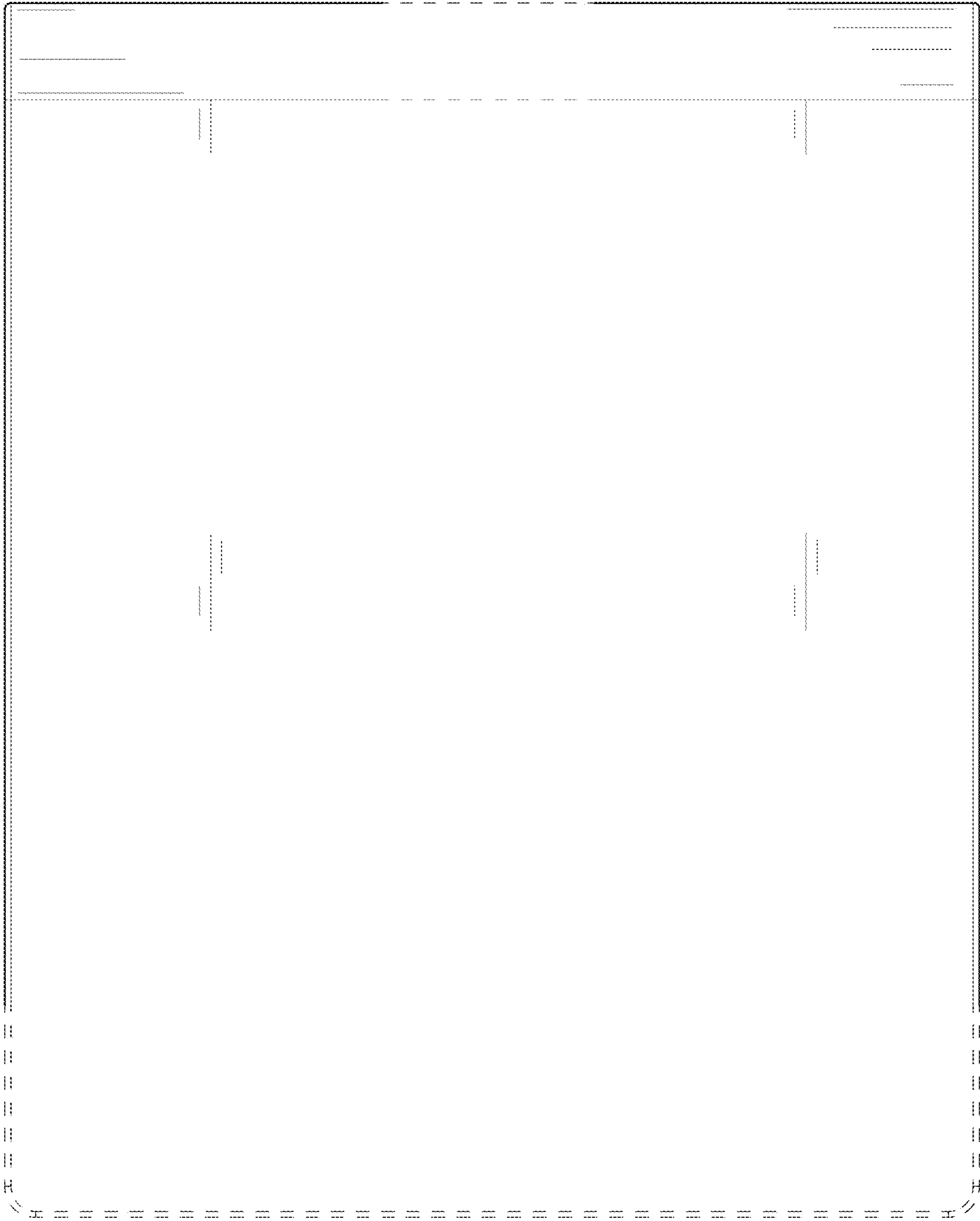


FIG. 10

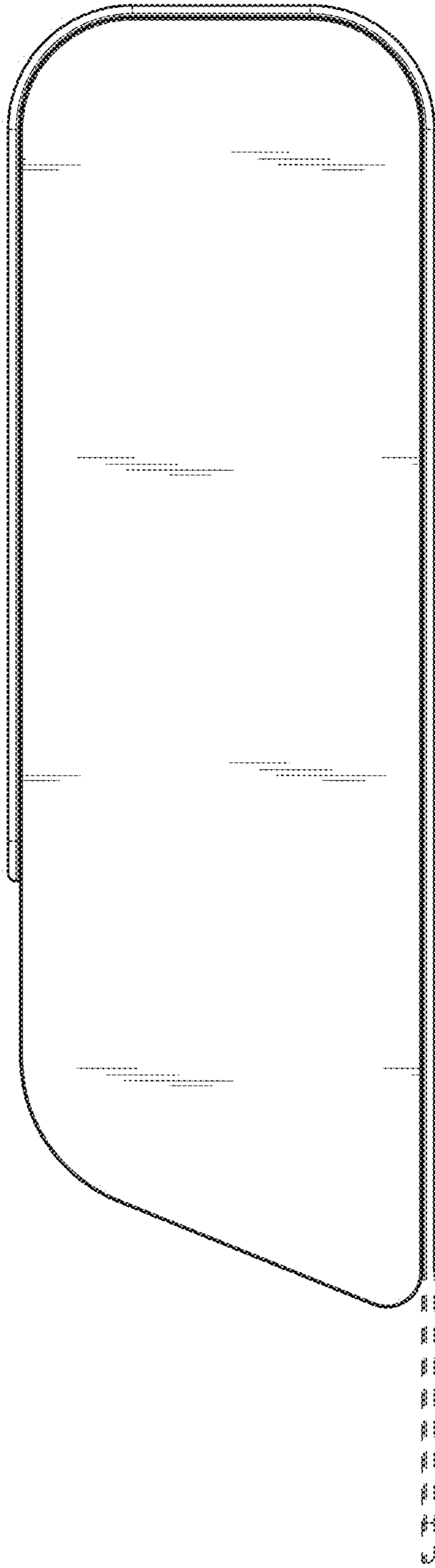


FIG. 11

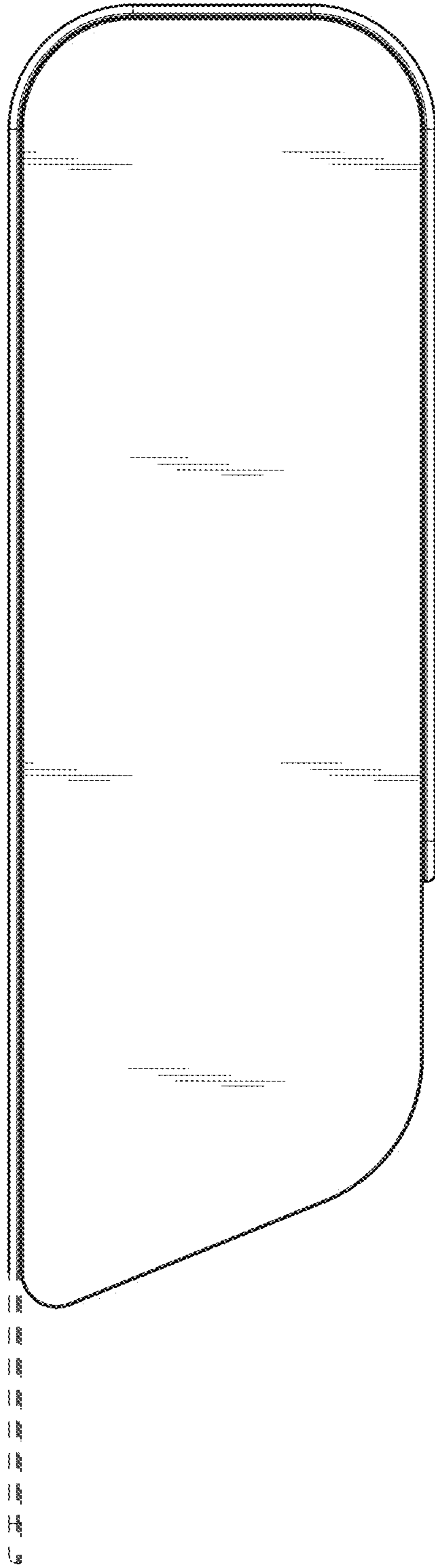


FIG. 12

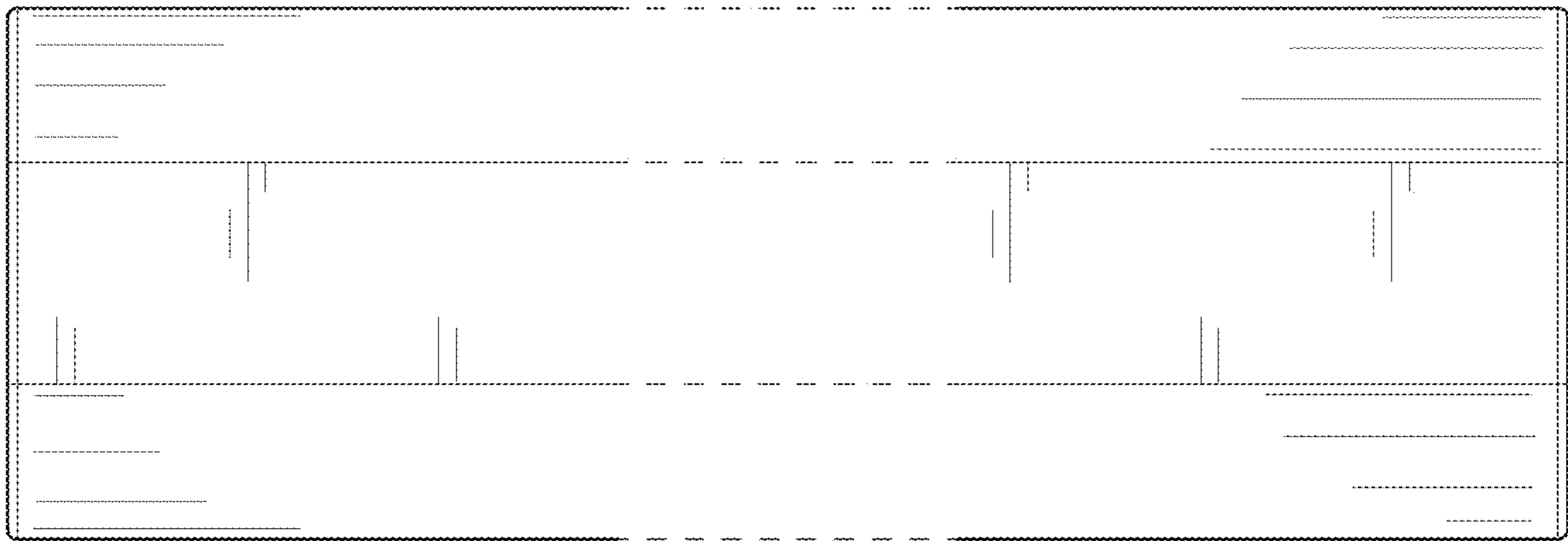


FIG. 13

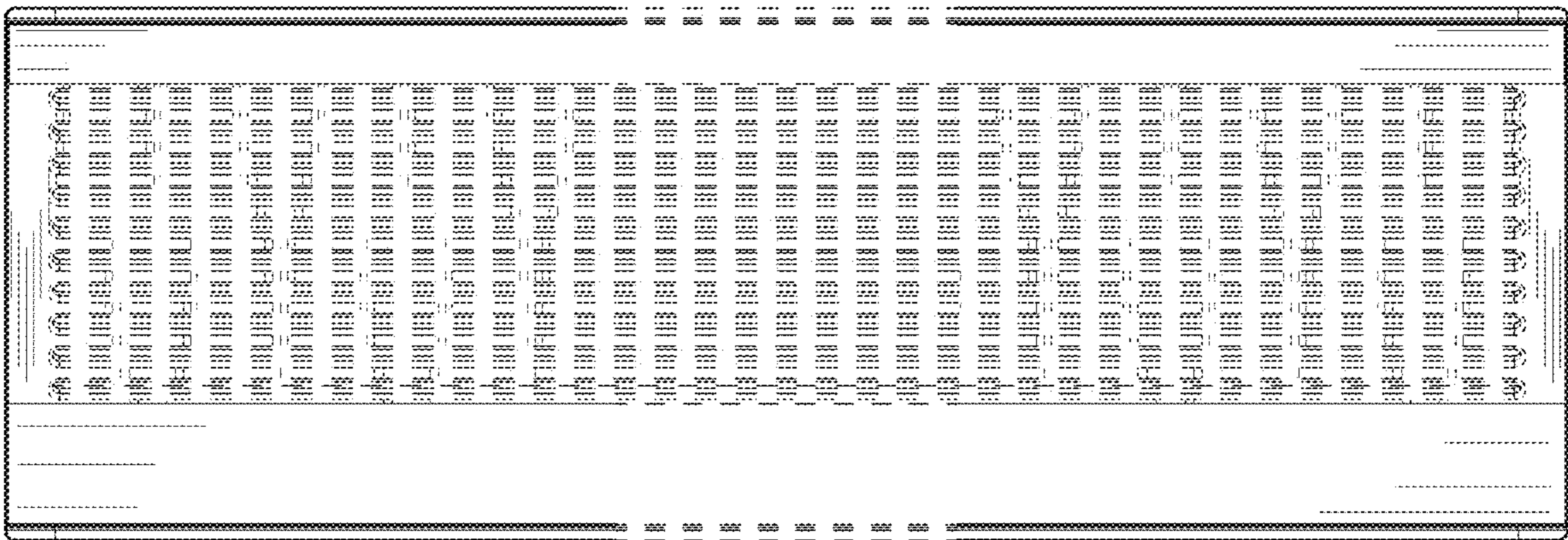


FIG. 14