



US00D959737S

(12) **United States Design Patent**
Kang

(10) **Patent No.:** **US D959,737 S**

(45) **Date of Patent:** **** Aug. 2, 2022**

(54) **TOBACCO PIPE**

(71) Applicant: **QIANDUODUO ELECTRONIC
COMMERCE (XIANGYANG) CO.,
LTD.**, Xiangyang (CN)

(72) Inventor: **Linbo Kang**, Laohekou (CN)

(73) Assignee: **QIANDUODUO ELECTRONIC
COMMERCE (XIANGYANG) CO.,
LTD.**, Xiangyang (CN)

(**) Term: **15 Years**

(21) Appl. No.: **29/816,669**

(22) Filed: **Nov. 23, 2021**

(51) **LOC (13) Cl.** **27-02**

(52) **U.S. Cl.**
USPC **D27/163**

(58) **Field of Classification Search**
USPC D27/100, 101, 162–165, 167–169, 172,
D27/174, 180, 182, 183, 188, 190, 191,
D27/193; D24/110, 110.5

CPC A24F 9/00; A24F 47/00; A24F 47/002;
A47F 5/00; A47F 5/14; A61M 15/06

See application file for complete search history.

(56) **References Cited**

U.S. PATENT DOCUMENTS

D276,377 S	*	11/1984	Martin	D27/163
D582,094 S	*	12/2008	Lee	D27/163
7,658,197 B1	*	2/2010	Villagomez	A24F 3/02 131/245
D650,520 S	*	12/2011	Timmermans	D27/163
D743,098 S	*	11/2015	Hehir	D27/163
D754,918 S	*	4/2016	Jergenson	D27/163
D831,272 S	*	10/2018	Qiu	D27/162
D838,409 S	*	1/2019	Reimann	D27/162
D877,410 S	*	3/2020	Strauss	

D879,372 S	*	3/2020	Hoch	D27/163
D904,679 S	*	12/2020	Grigenas	D27/162
D909,671 S	*	2/2021	Hoch	D27/162
D927,775 S	*	8/2021	Hur	
D932,688 S	*	10/2021	Shigapov	D27/162
D938,643 S	*	12/2021	Dodson	D27/162
D940,384 S	*	1/2022	Dodson	D27/162
D940,385 S	*	1/2022	Dodson	D27/162
D943,169 S	*	2/2022	Houkal	D27/162
2004/0173223 A1	*	9/2004	Hu	A24F 5/06 131/226

OTHER PUBLICATIONS

Brass Tobacco Pipe By: Smoke Cartel found on line (Jun. 3, 2022)
<https://www.smokecartel.com/products/brass-tobacco-pipe> (Jun. 3,
2022).*

* cited by examiner

Primary Examiner — Rebecca Tsehaye

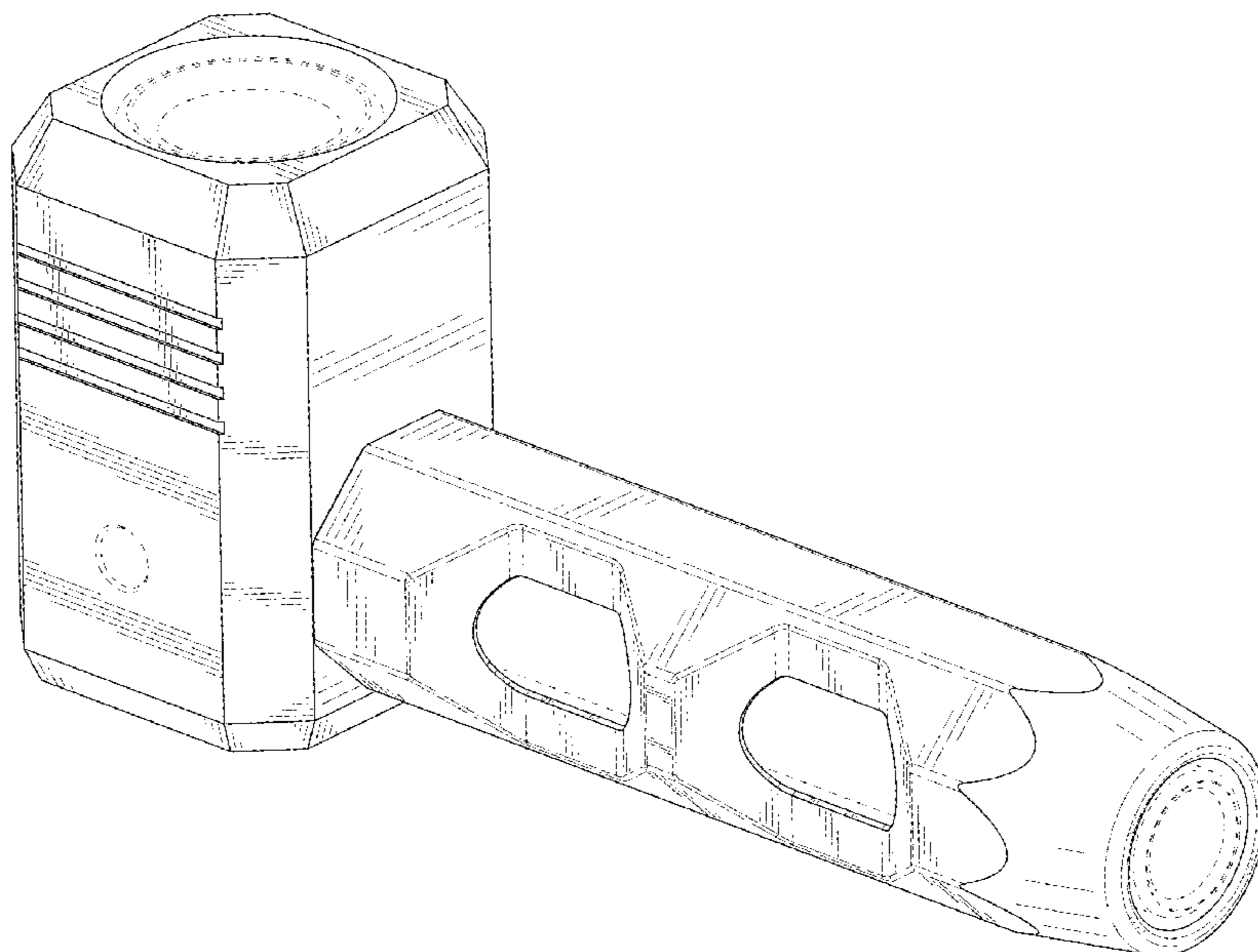
(57) **CLAIM**

The ornamental design for a tobacco pipe, as shown and described.

DESCRIPTION

FIG. 1 is a perspective view of a tobacco pipe showing my new design;
FIG. 2 is another perspective view thereof;
FIG. 3 is a front elevational view thereof;
FIG. 4 is a rear elevational view thereof;
FIG. 5 is a left side elevational view thereof;
FIG. 6 is a right side elevational view thereof;
FIG. 7 is a top plan view thereof;
FIG. 8 is a bottom plan view thereof; and,
FIG. 9 is an exploded perspective view of the tobacco pipe.
The broken lines in the drawings depict portions of the tobacco pipe that form no part of the claimed design.

1 Claim, 9 Drawing Sheets



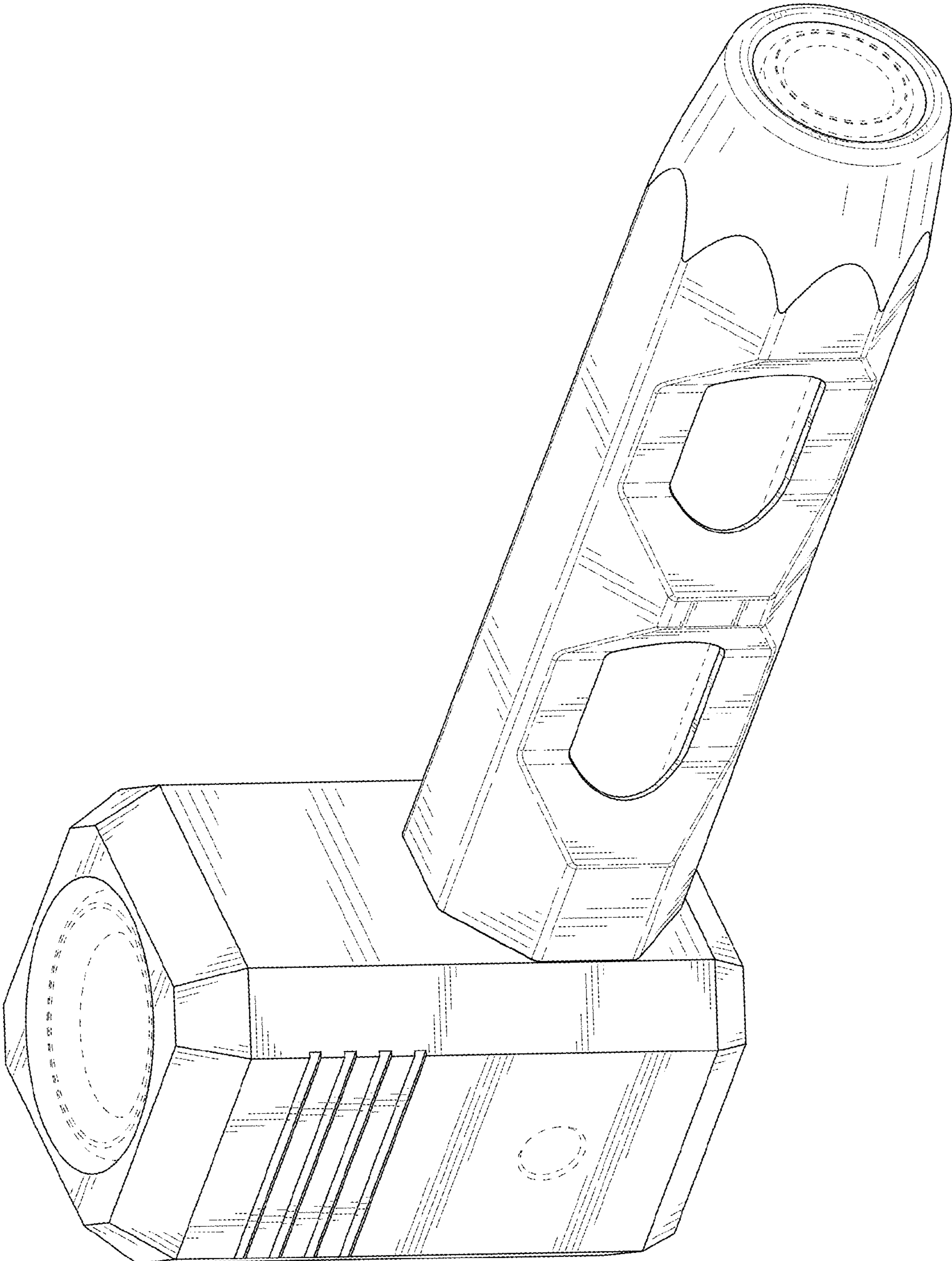


FIG. 1

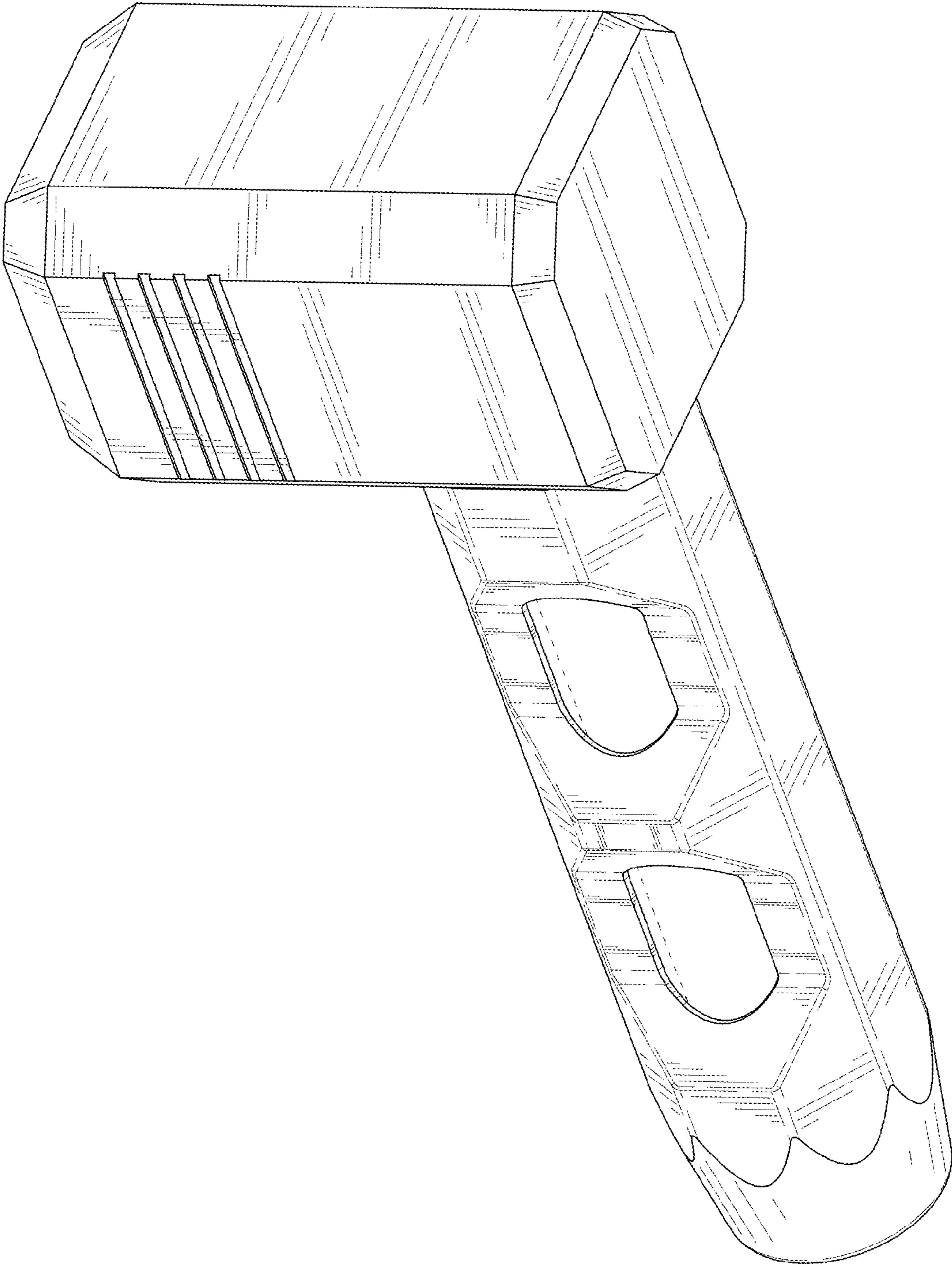


FIG. 2

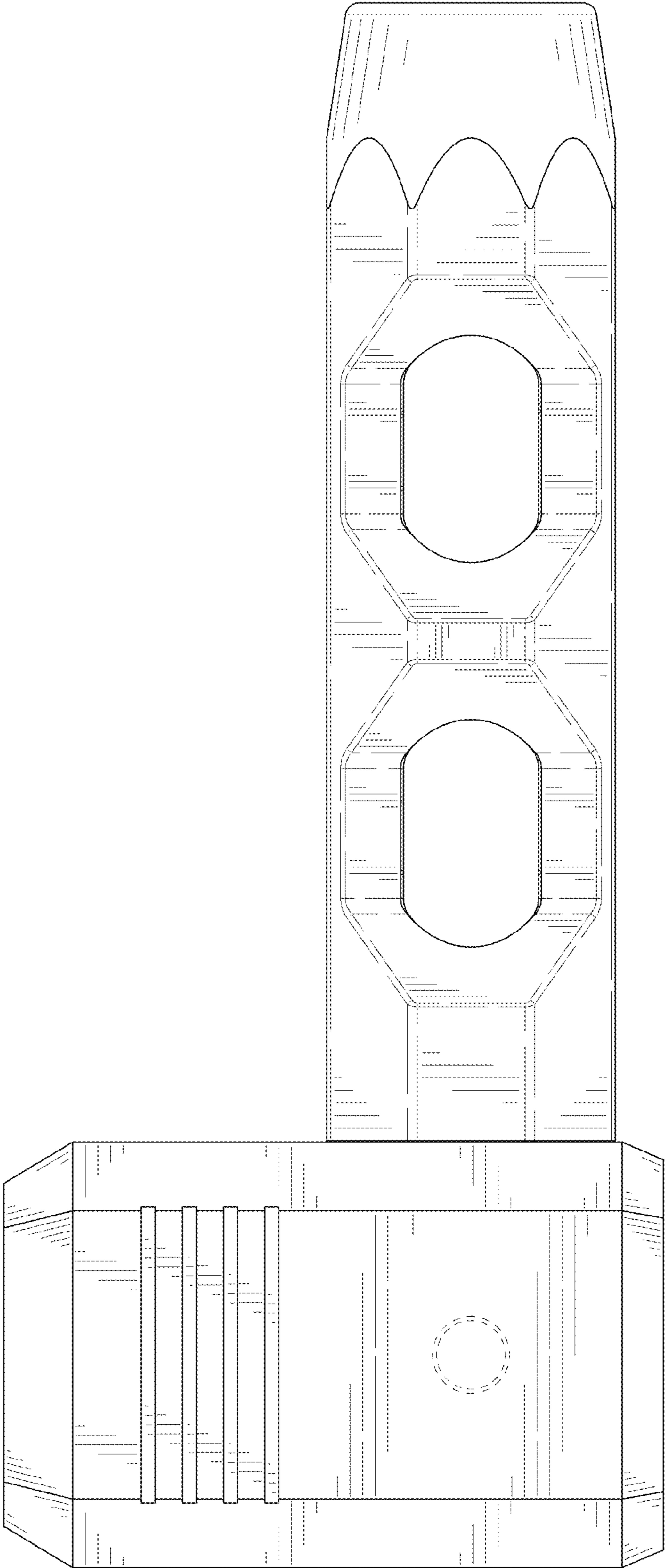


FIG. 3

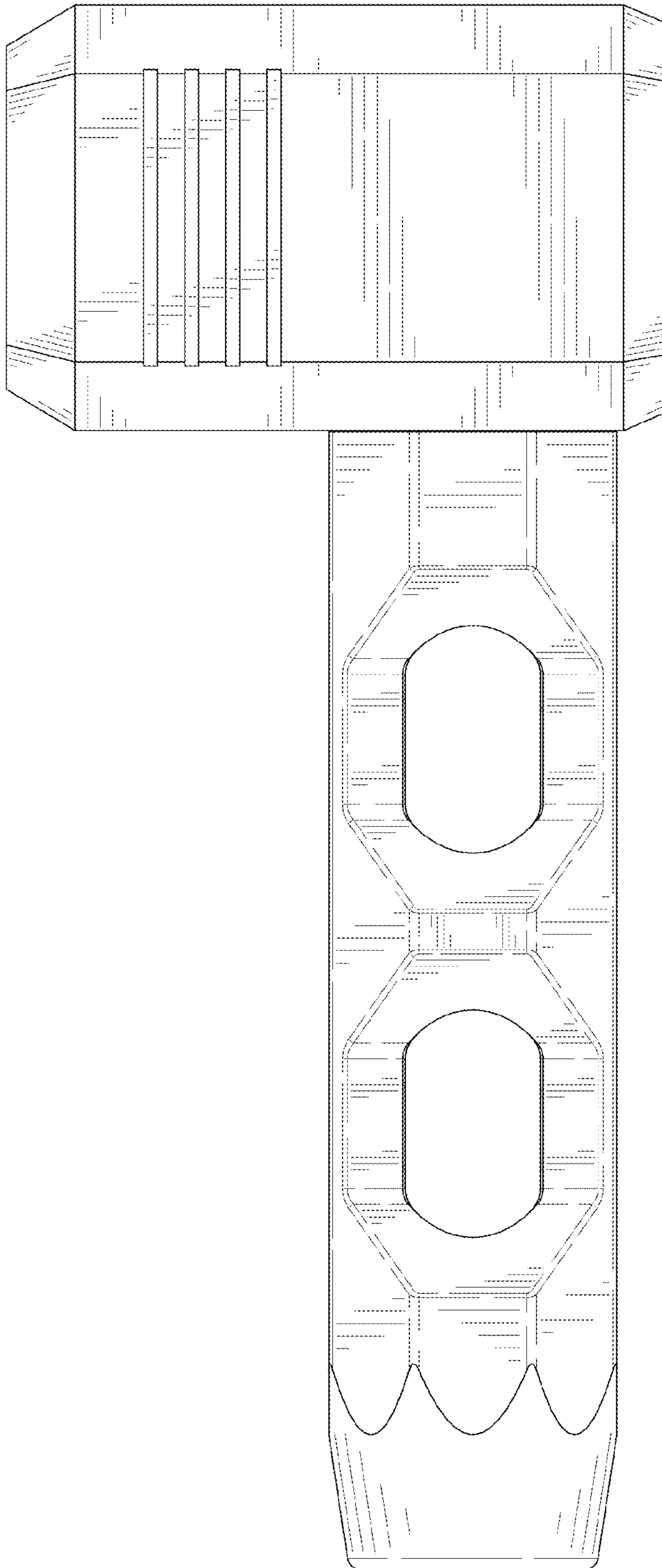


FIG. 4

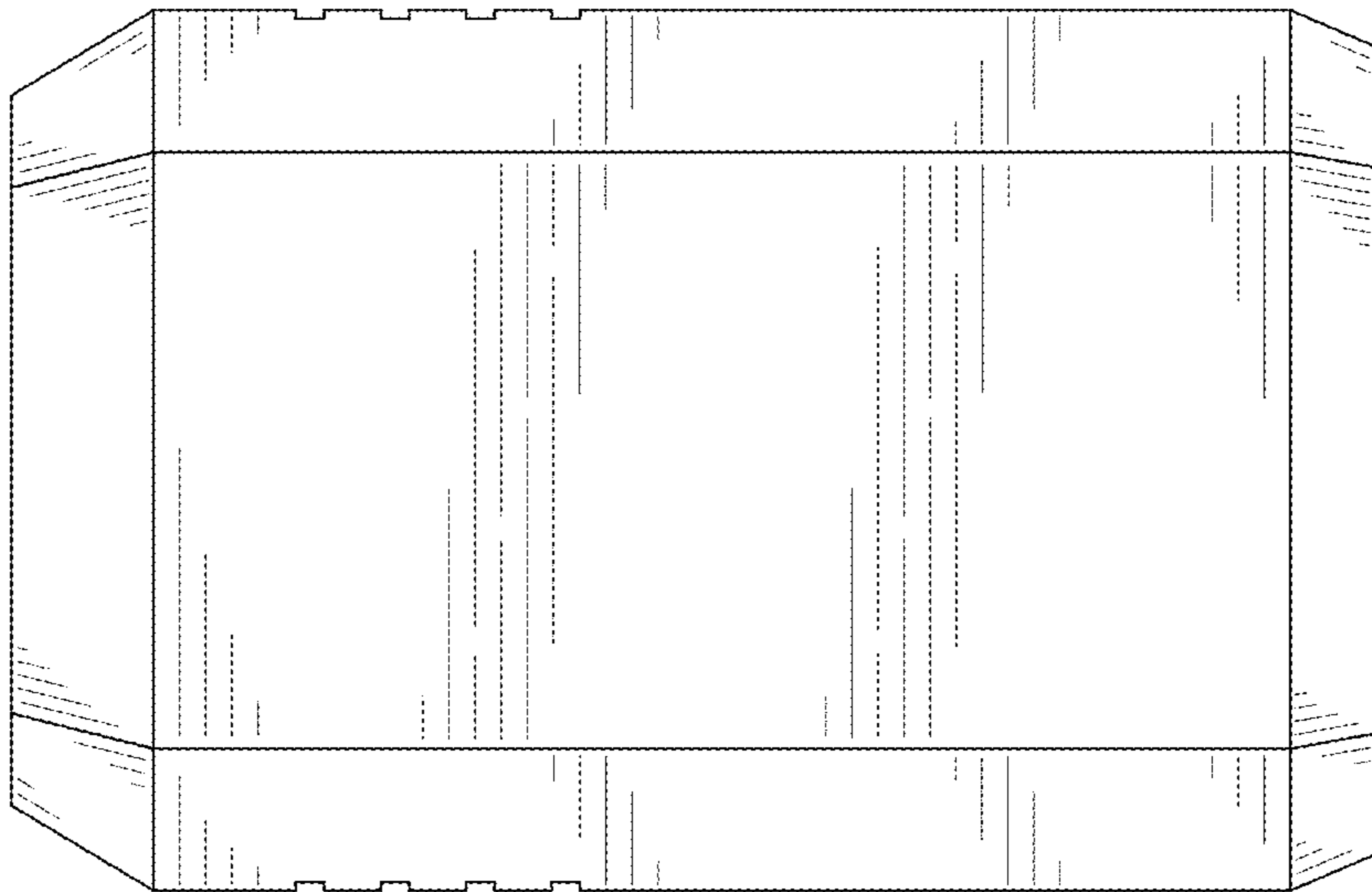


FIG. 5

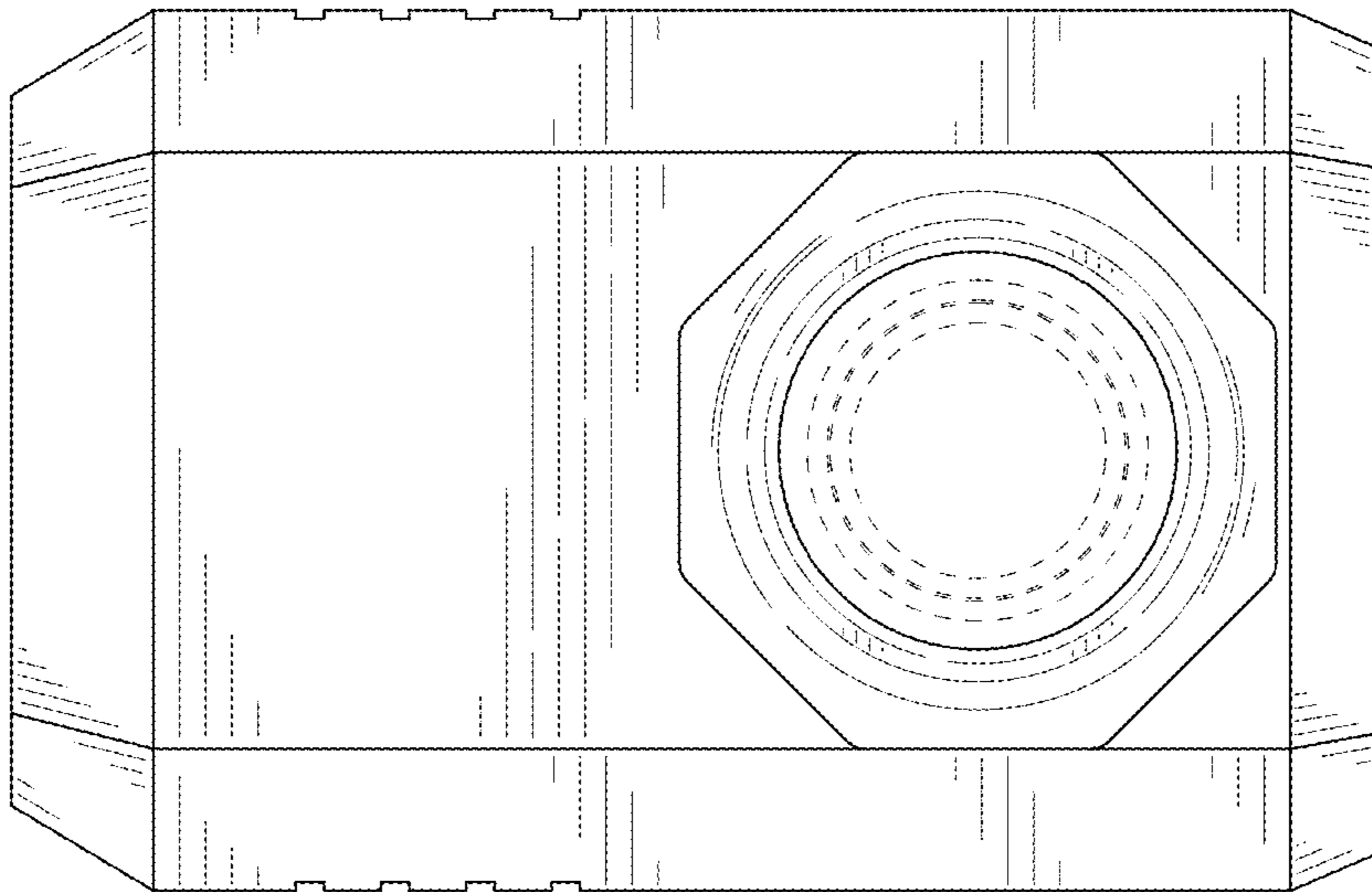


FIG. 6

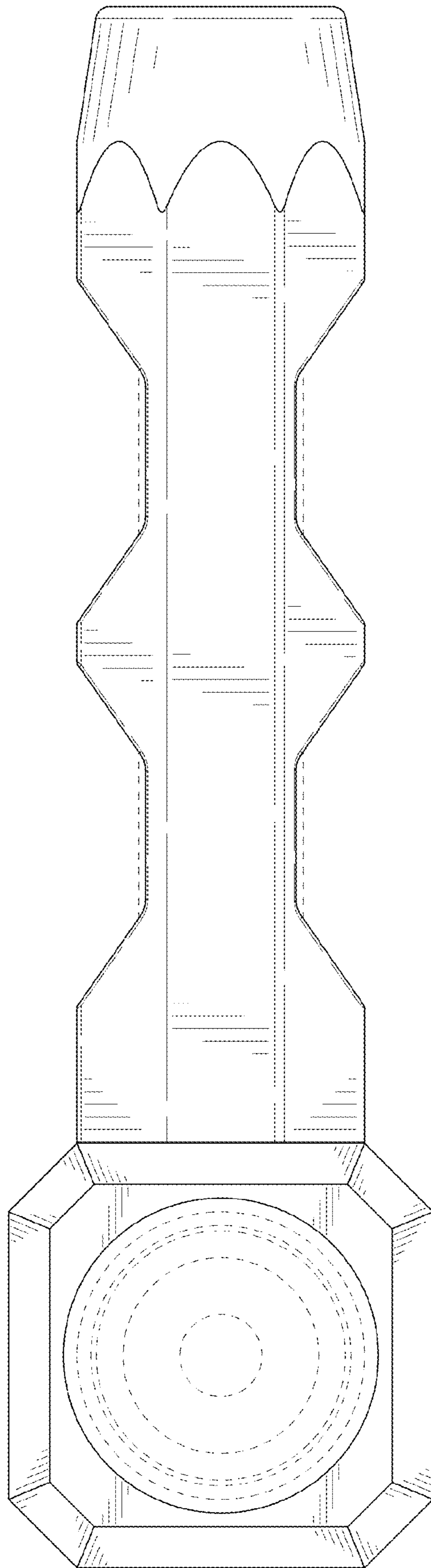


FIG. 7

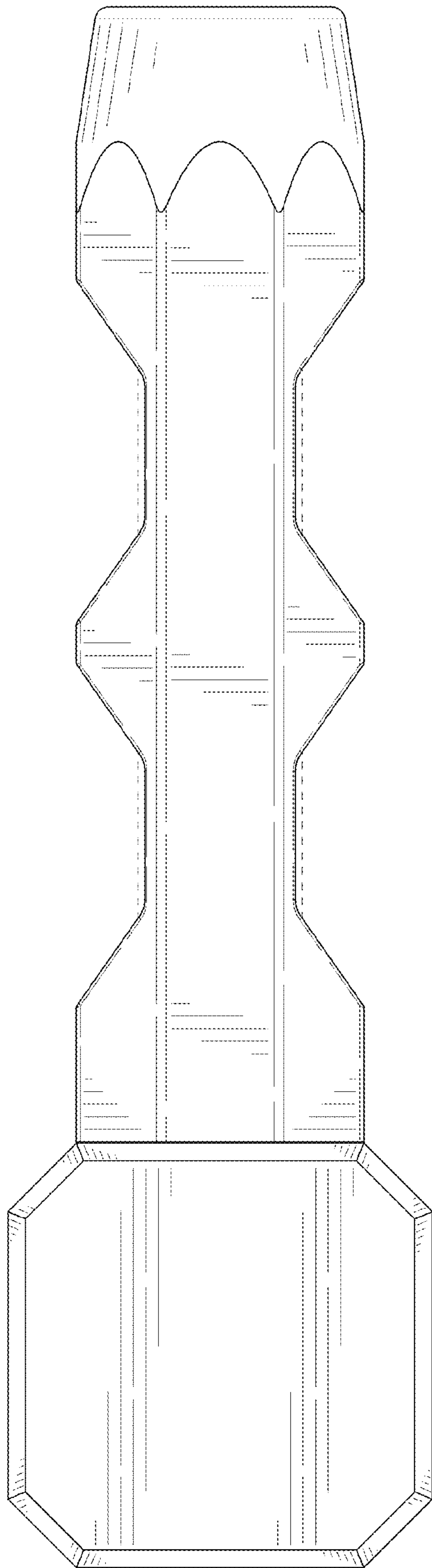


FIG. 8

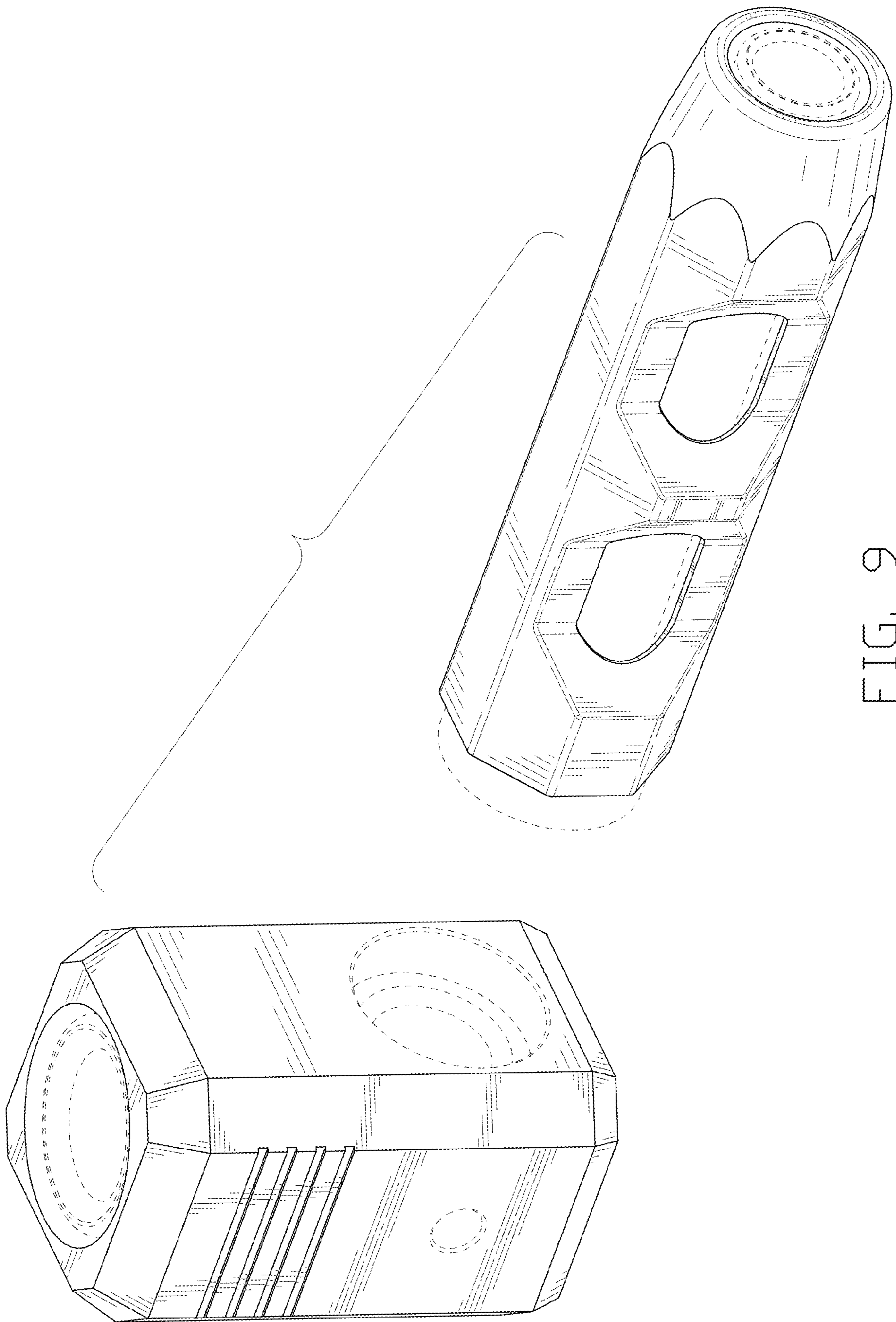


FIG. 9