



US00D959736S

(12) **United States Design Patent**
Chen

(10) **Patent No.:** **US D959,736 S**

(45) **Date of Patent:** **** Aug. 2, 2022**

(54) **HOOKAH**

(71) Applicant: **XIANGSHAN CHENGDELI**
HARDWARE PLASTIC FACTORY,
Ningbo (CN)

(72) Inventor: **Suzhi Chen,** Ningbo (CN)

(73) Assignee: **XIANGSHAN CHENGDELI**
HARDWARE PLASTIC FACTORY,
Ningbo (CN)

(**) Term: **15 Years**

(21) Appl. No.: **29/830,699**

(22) Filed: **Mar. 15, 2022**

(30) **Foreign Application Priority Data**

Dec. 6, 2021 (CN) 202130803930.1

(51) **LOC (13) Cl.** **27-02**

(52) **U.S. Cl.**

USPC **D27/162**

(58) **Field of Classification Search**

USPC D27/162, 100, 103, 163–165, 167, 168,
D27/169, 180, 183, 194; D23/360

CPC A24F 1/30; A24F 1/02; A24F 1/00; A24F
47/008; A24F 47/002; A61M 11/00

See application file for complete search history.

(56) **References Cited**

U.S. PATENT DOCUMENTS

D732,648 S * 6/2015 Speh D23/360

D760,309 S * 6/2016 Parfitt D16/202

D766,351 S * 9/2016 Li D16/202
D779,723 S * 2/2017 Marrakchi
D790,000 S * 6/2017 Wang D16/200
D791,217 S * 7/2017 Wang D16/242
D791,848 S * 7/2017 Zhu D16/200
D832,502 S 10/2018 Durand
D839,335 S * 1/2019 Zhang D16/202
D875,301 S 2/2020 Masri
D882,865 S * 4/2020 Fornarelli D27/162
D942,526 S * 2/2022 Tsukamoto D16/219
D945,513 S * 3/2022 Han D16/218
D946,202 S * 3/2022 Zouev D27/162

* cited by examiner

Primary Examiner — Rebecca Tsehaye

(74) *Attorney, Agent, or Firm* — Wen IP LLC; Zhihua Han

(57) **CLAIM**

The ornamental design for a hookah, as shown and described.

DESCRIPTION

FIG. 1 is a first perspective view of a hookah showing my new design;

FIG. 2 is a second perspective view thereof;

FIG. 3 is a front view thereof;

FIG. 4 is a back view thereof;

FIG. 5 is a left side view thereof;

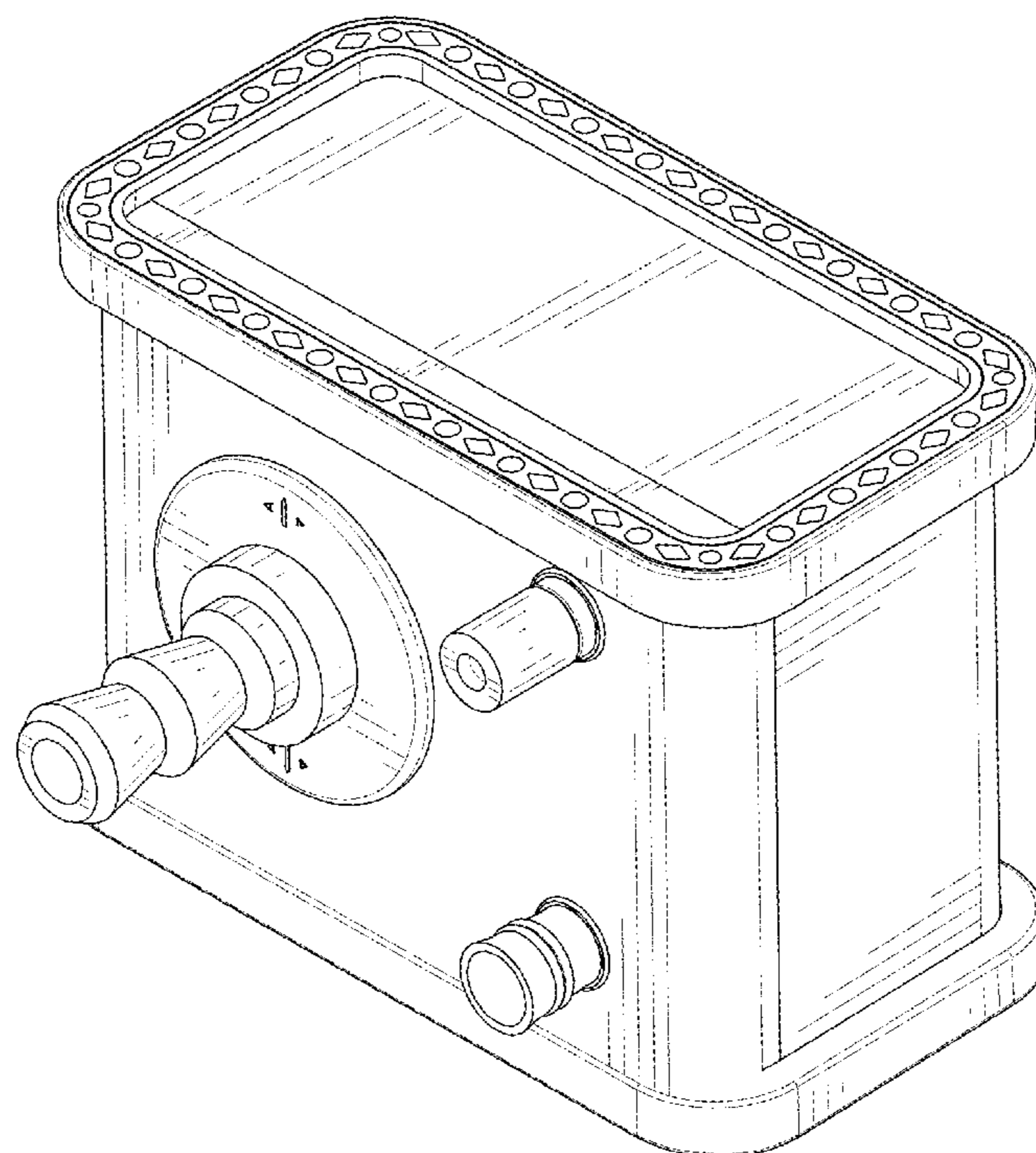
FIG. 6 is a right side view thereof;

FIG. 7 is a top view thereof; and,

FIG. 8 is a bottom view thereof.

The broken lines shown in the drawings depict portions of the hookah that form no part of the claimed design.

1 Claim, 8 Drawing Sheets



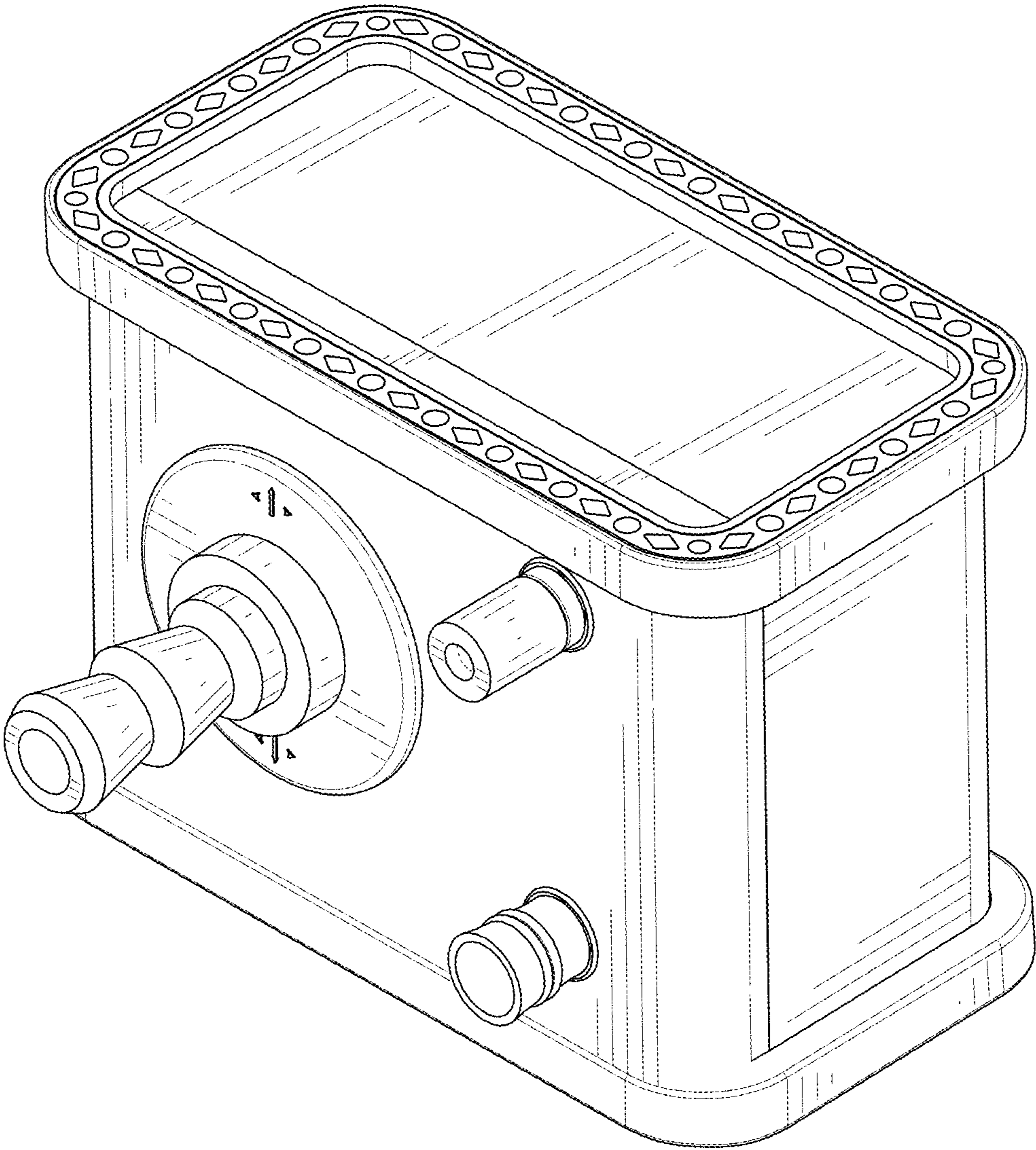


FIG. 1

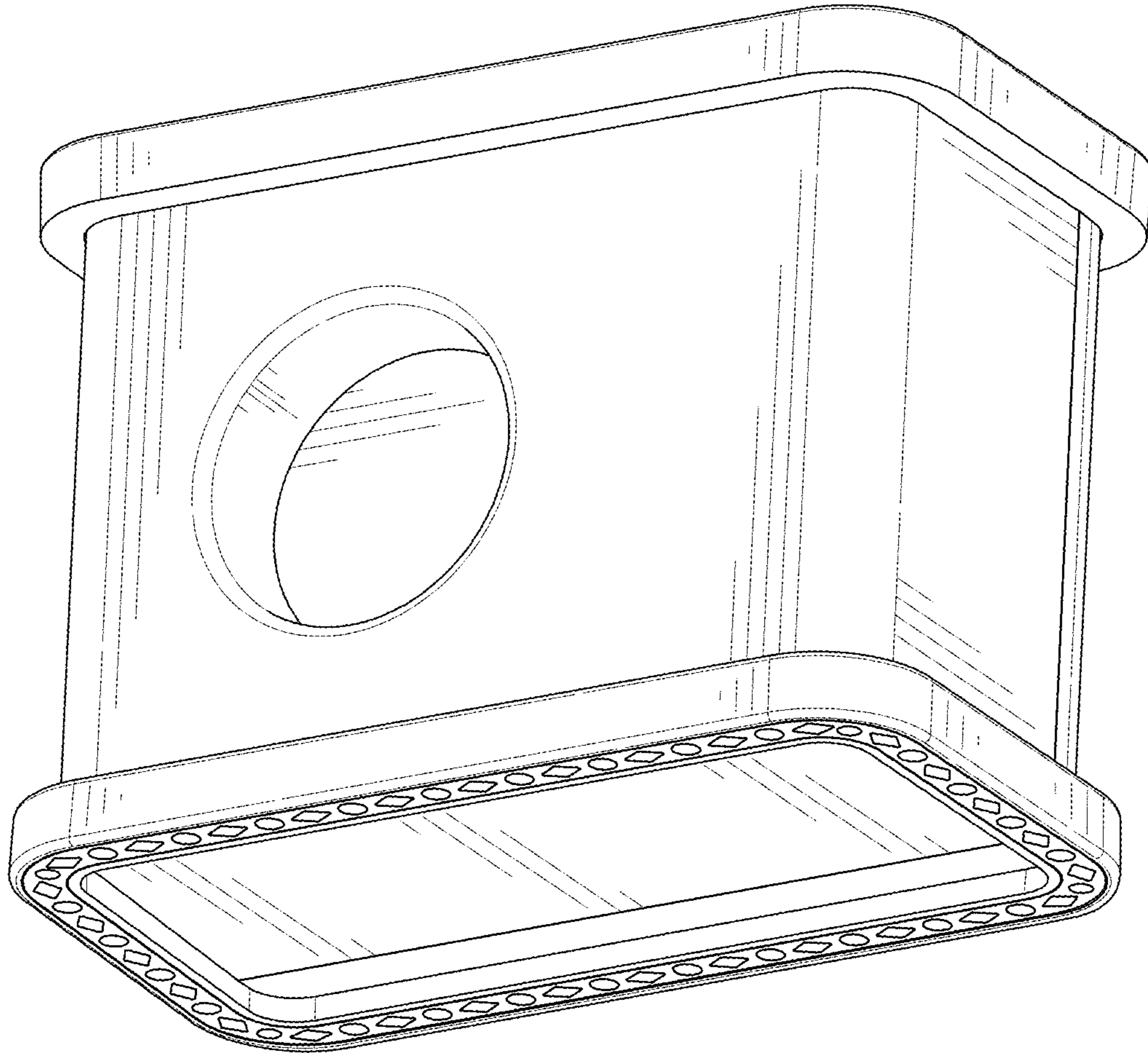


FIG. 2

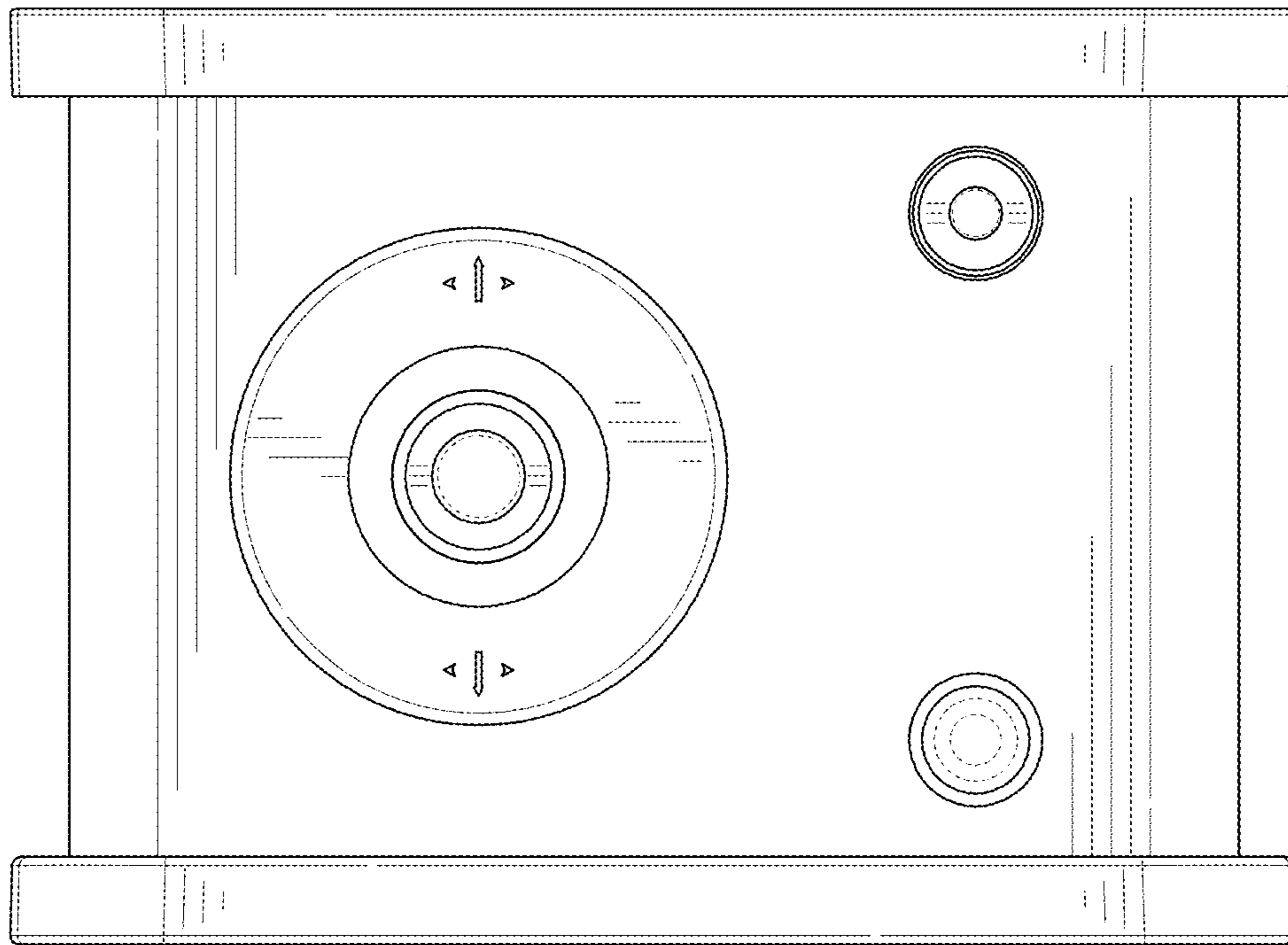


FIG. 3

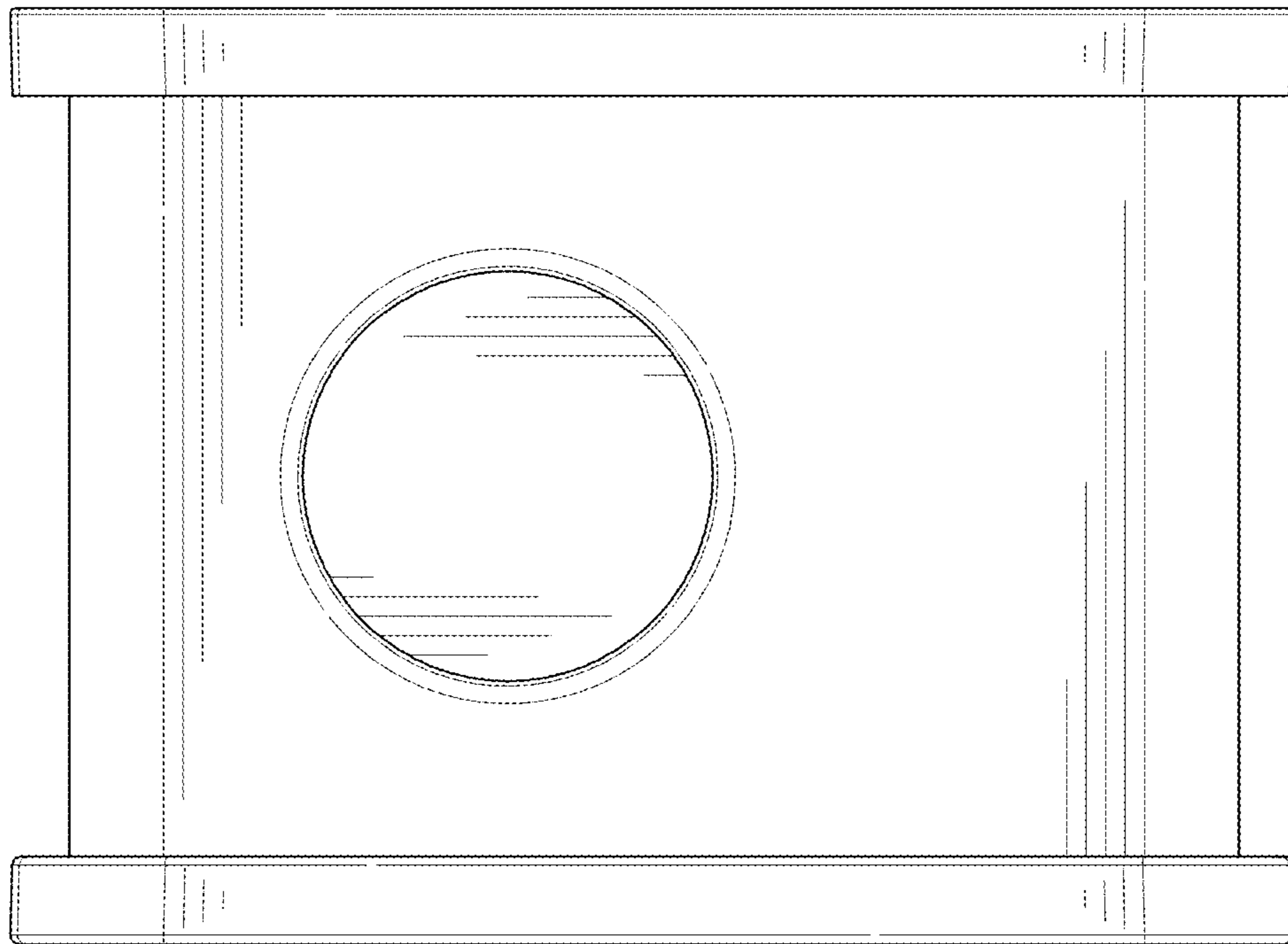


FIG. 4

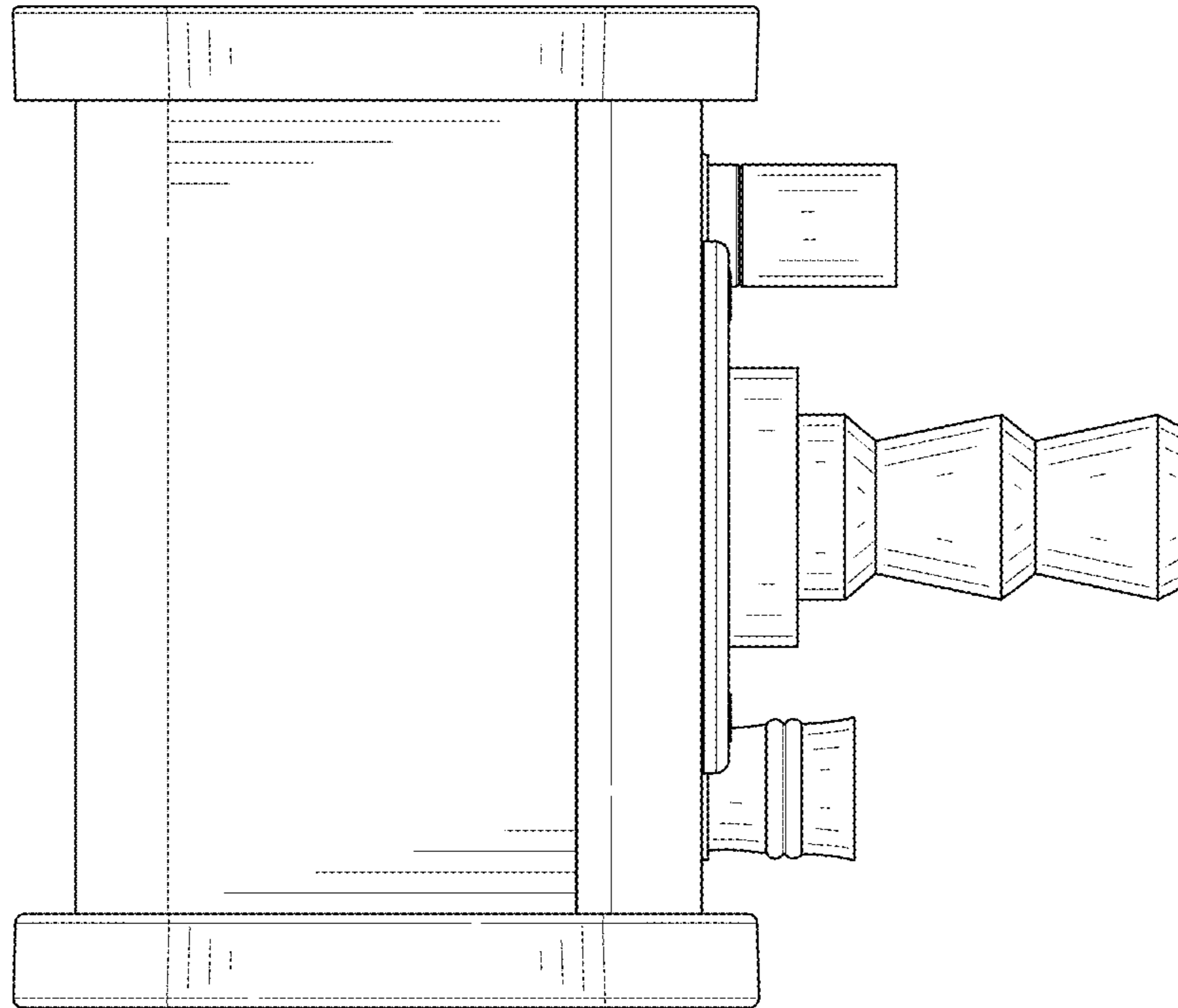


FIG. 5

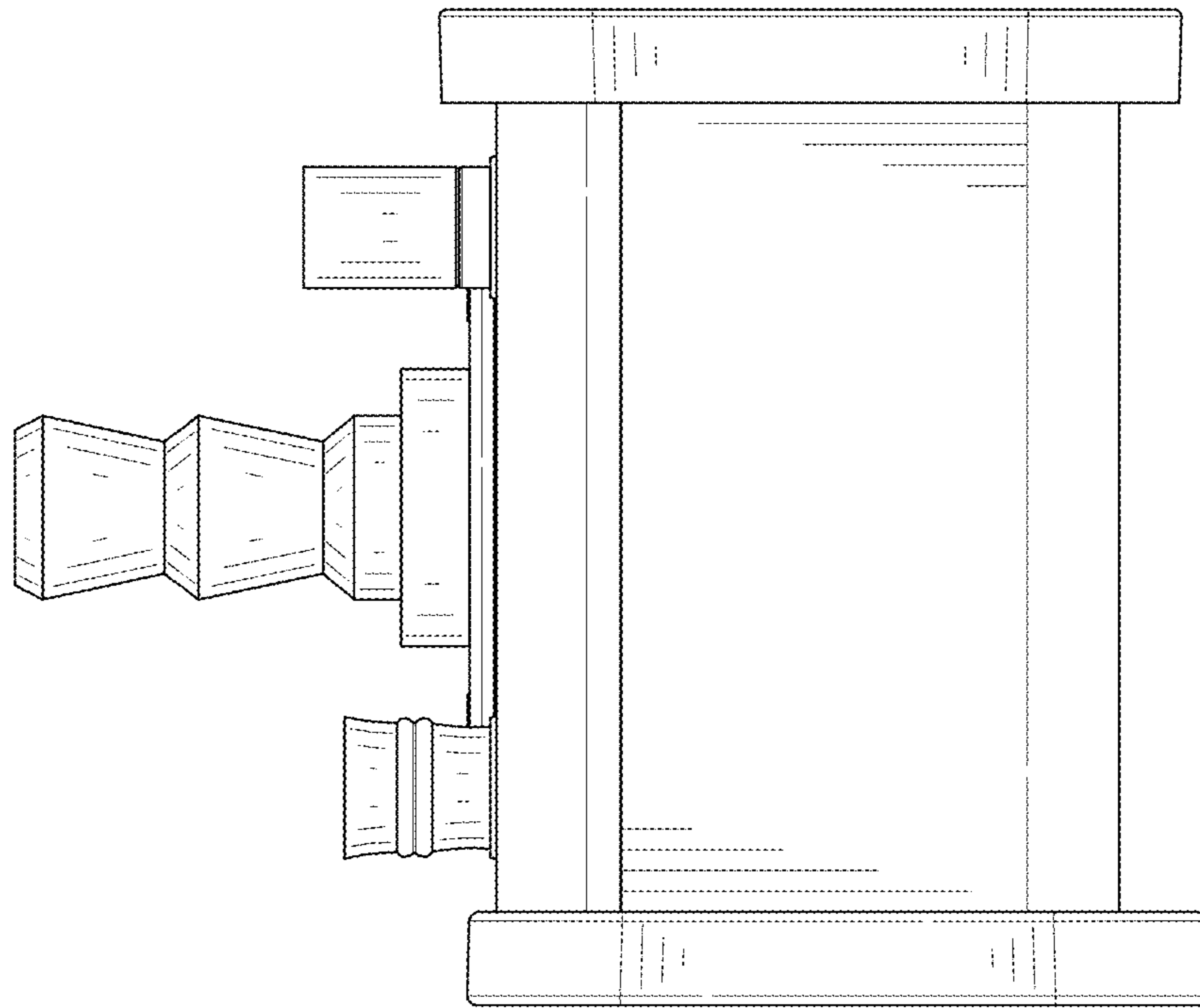


FIG. 6

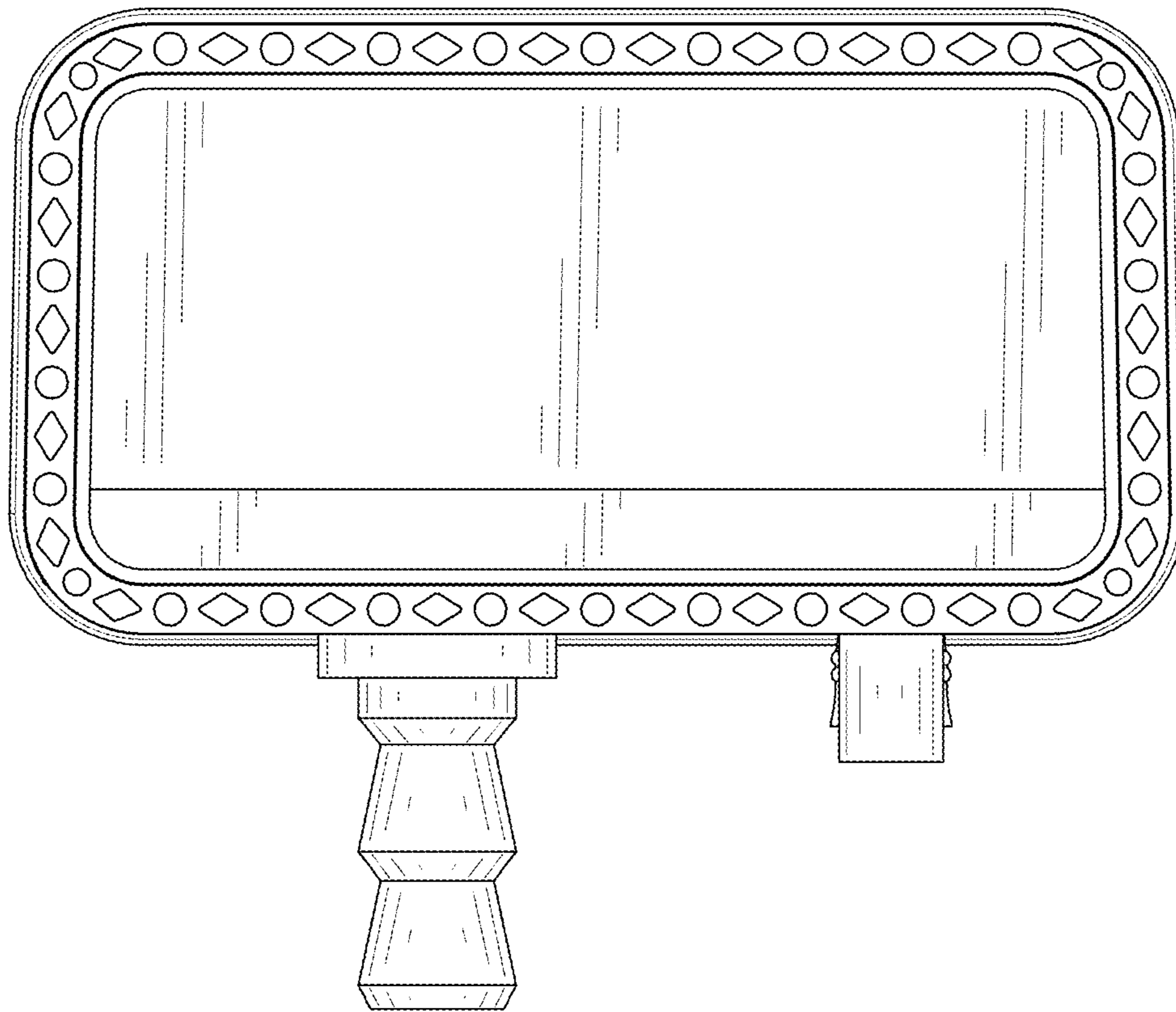


FIG. 7

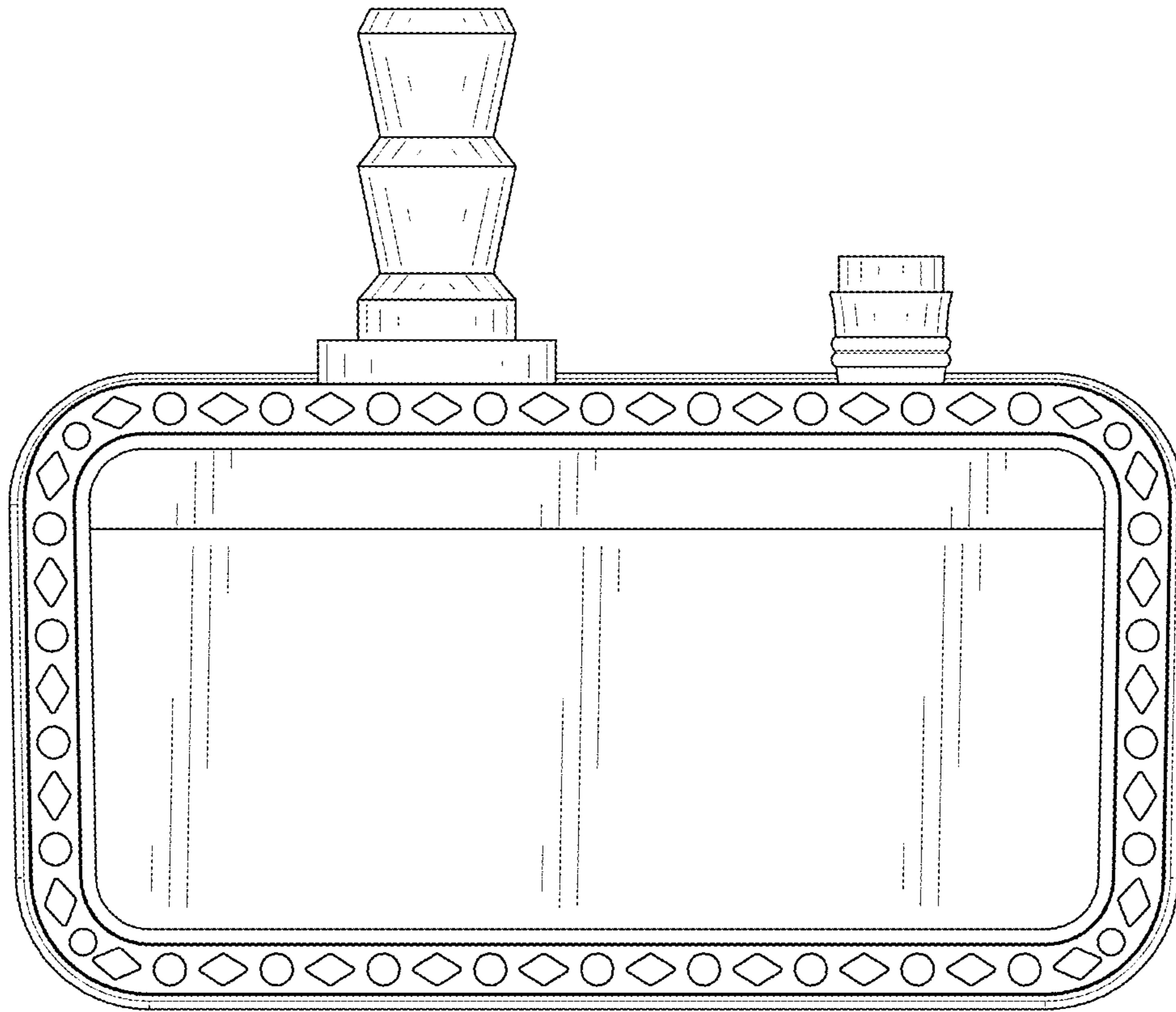


FIG. 8