



US00D959729S

(12) **United States Design Patent** (10) **Patent No.:** **US D959,729 S**  
**Zhao et al.** (45) **Date of Patent:** **\*\* Aug. 2, 2022**

(54) **LENS FOR FLASHLIGHTS** 5,227,263 A 7/1993 Blier  
D381,347 S \* 7/1997 Miyahara ..... D16/134  
(71) Applicant: **Technomate Manufactory Limited,** 5,667,293 A 9/1997 Own  
Kowloon (HK) 5,931,562 A 8/1999 Arato  
(Continued)

(72) Inventors: **Hebing Zhao,** Kowloon (HK);  
**Guosheng Liu,** Kowloon (HK)

(73) Assignee: **TECHNOMATE MANUFACTORY LIMITED,** Hong Kong (CN)

(\*\*) Term: **15 Years**

(21) Appl. No.: **29/685,728**

(22) Filed: **Mar. 29, 2019**

(51) **LOC (13) Cl.** ..... **26-05**

(52) **U.S. Cl.**  
USPC ..... **D26/124; D26/118**

(58) **Field of Classification Search**  
USPC ..... D26/24, 37-52, 113, 118-120, 124;  
D16/217-219, 237  
CPC ..... F21Y 2115/10; F21Y 2105/16; F21Y  
2105/12; F21Y 2113/10; F21Y 2115/00;  
F21Y 2115/15; F21Y 2115/30; F21V  
5/007; F21V 5/04; F21V 5/045; F21V  
17/101; F21V 5/046; F21V 7/0091; F21V  
13/04; F21V 19/002; F21V 23/003; F21V  
7/05; F21V 14/06; F21V 15/01; F21V  
17/002; F21V 17/005; F21V 17/10; F21V  
21/03; F21V 21/26; F21V 31/005; F21V  
3/049; F21V 5/002; F21V 5/02; F21V  
5/048; F21V 7/04; F21V 7/06; F21V  
7/08; F21V 7/28

See application file for complete search history.

(56) **References Cited**

**U.S. PATENT DOCUMENTS**

1,958,796 A 5/1934 Mercer  
4,265,984 A 5/1981 Kaye  
D313,084 S \* 12/1990 Bramble ..... D26/113  
5,174,649 A 12/1992 Alston

5,227,263 A 7/1993 Blier  
D381,347 S \* 7/1997 Miyahara ..... D16/134  
5,667,293 A 9/1997 Own  
5,931,562 A 8/1999 Arato  
(Continued)

**FOREIGN PATENT DOCUMENTS**

EP 2314912 4/2011  
KR 3020010005812 \* 6/2002  
(Continued)

**OTHER PUBLICATIONS**

Customerized Optical Grade PMMA LED Flashlight Lens Plastic Mould. By Made-inChina.com. Dated Apr. 25, 2019. Found online [Sep. 16, 2021]. <https://sumshun.en.made-in-china.com/product/SsEmNGulZXhb/China-Customerized-Optical-Grade-PMMA-LED-Flashlight-Lens-Plastic-Mould.html> (Year: 2019).\*

*Primary Examiner* — Marissa J Cash  
*Assistant Examiner* — William B Melliar  
(74) *Attorney, Agent, or Firm* — Garson & Gutierrez, PC

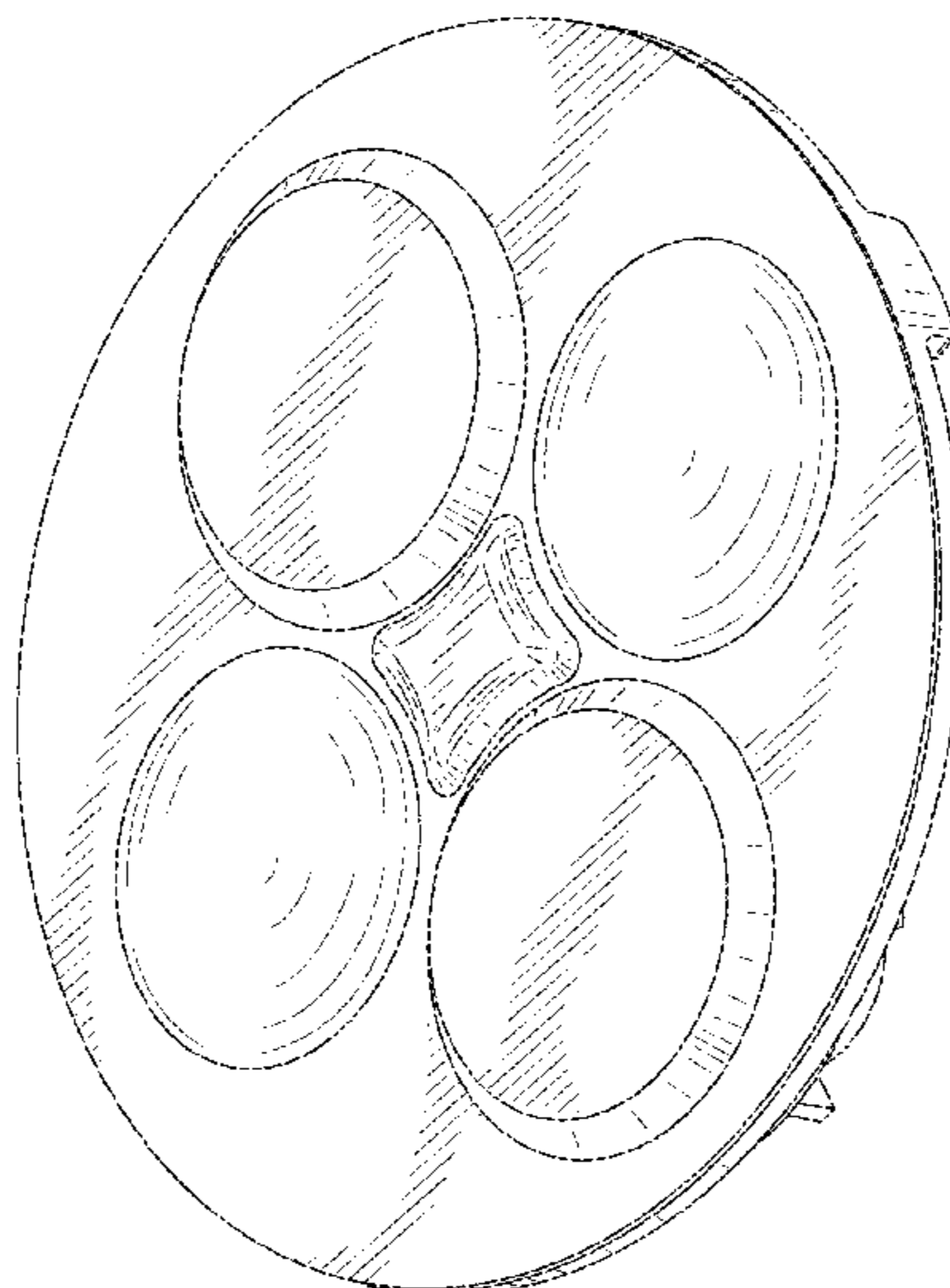
(57) **CLAIM**

The ornamental design for a lens for flashlights, as shown and described.

**DESCRIPTION**

FIG. 1 is a perspective view of a lens for flashlights, showing our new design;  
FIG. 2 is a rear perspective view of the lens of FIG. 1;  
FIG. 3 is a front side elevation view of the lens of FIG. 1;  
FIG. 4 is a back side elevation of the lens of FIG. 1;  
FIG. 5 is a left side elevation view of the lens of FIG. 1;  
FIG. 6 is a right side elevation view of the lens of FIG. 1;  
FIG. 7 is a top plan view of the lens of FIG. 1;  
FIG. 8 is a bottom plan view of the lens of FIG. 1; and,  
FIG. 9 is a cross-sectional view of the lens of FIG. 1, taken along line 9-9 as shown in FIG. 3.

**1 Claim, 7 Drawing Sheets**



(56)

References Cited

U.S. PATENT DOCUMENTS

5,971,562 A 10/1999 Yang  
 6,046,572 A 4/2000 Matthews et al.  
 6,238,818 B1 5/2001 Dalton  
 6,303,248 B1 10/2001 Peterson  
 6,394,622 B1 5/2002 Macek  
 6,443,594 B1 9/2002 Marshall  
 6,485,160 B1 12/2002 Sommers  
 6,773,139 B2 8/2004 Sommers  
 6,802,622 B2\* 10/2004 Hsien ..... F21L 4/02  
 362/187  
 6,841,941 B2 1/2005 Kim  
 6,851,828 B1 2/2005 Hansen  
 7,048,408 B2\* 5/2006 Dallas ..... F21V 9/40  
 362/202  
 7,083,297 B2 8/2006 Matthews  
 7,091,694 B1 8/2006 Barton  
 D544,117 S \* 6/2007 Coughaine ..... D26/37  
 D544,618 S \* 6/2007 Coughaine ..... D26/37  
 7,284,871 B2 10/2007 Oon  
 D574,983 S \* 8/2008 Rachwal ..... D26/37  
 7,438,431 B2 10/2008 Ford  
 7,461,944 B2 12/2008 Alessio  
 7,509,955 B2 3/2009 Cole  
 7,568,816 B2 8/2009 Brass  
 7,651,240 B2 1/2010 Bayat  
 7,690,815 B2 4/2010 Dallas et al.  
 D617,925 S \* 6/2010 Coughaine ..... D26/37  
 D639,496 S \* 6/2011 Wada ..... D26/120  
 7,988,318 B1 8/2011 Smith  
 8,066,402 B2 11/2011 Klipstein  
 8,100,540 B2 1/2012 Huebner  
 8,317,357 B2 11/2012 Bayat  
 8,388,167 B2 3/2013 Klipstein

8,591,077 B2 11/2013 Okada  
 8,801,233 B2 8/2014 Lu  
 9,055,670 B2 6/2015 Su et al.  
 D745,210 S \* 12/2015 Serwacki ..... D26/138  
 D757,307 S \* 5/2016 Wallach ..... D26/24  
 9,534,750 B2 1/2017 Pritchett  
 9,562,672 B2 2/2017 Jorgensen  
 D781,818 S \* 3/2017 Pera ..... D14/209  
 9,651,222 B2 5/2017 Jorgensen  
 D829,690 S \* 10/2018 Chen ..... D14/216  
 D831,268 S \* 10/2018 Johnson ..... D26/142  
 10,096,805 B1 10/2018 Lewis  
 D846,418 S \* 4/2019 Yang ..... D10/106.8  
 D862,779 S \* 10/2019 Anderson ..... D26/118  
 D870,325 S \* 12/2019 Zheng ..... D26/24  
 D908,932 S \* 1/2021 Richardson ..... D26/24  
 10,914,434 B2\* 2/2021 Zhao ..... F21V 23/023  
 D920,543 S \* 5/2021 Wei ..... D26/24  
 2003/0147237 A1 8/2003 Halasz  
 2003/0189826 A1 10/2003 Yoon  
 2004/0130891 A1 7/2004 Twardawski  
 2004/0240201 A1 12/2004 Rausseck  
 2005/0157492 A1 7/2005 Chiu  
 2007/0030673 A1 2/2007 Hull  
 2009/0040752 A1 2/2009 Dallas  
 2010/0177507 A1 7/2010 West et al.  
 2010/0259220 A1 10/2010 Crawford  
 2012/0033416 A1 2/2012 Ballard  
 2015/0159830 A1 6/2015 Joergensen  
 2020/0309330 A1\* 10/2020 Zhao ..... H01M 50/213

FOREIGN PATENT DOCUMENTS

KR 3020010005813 \* 6/2002  
 WO WO201549704 4/2015

\* cited by examiner

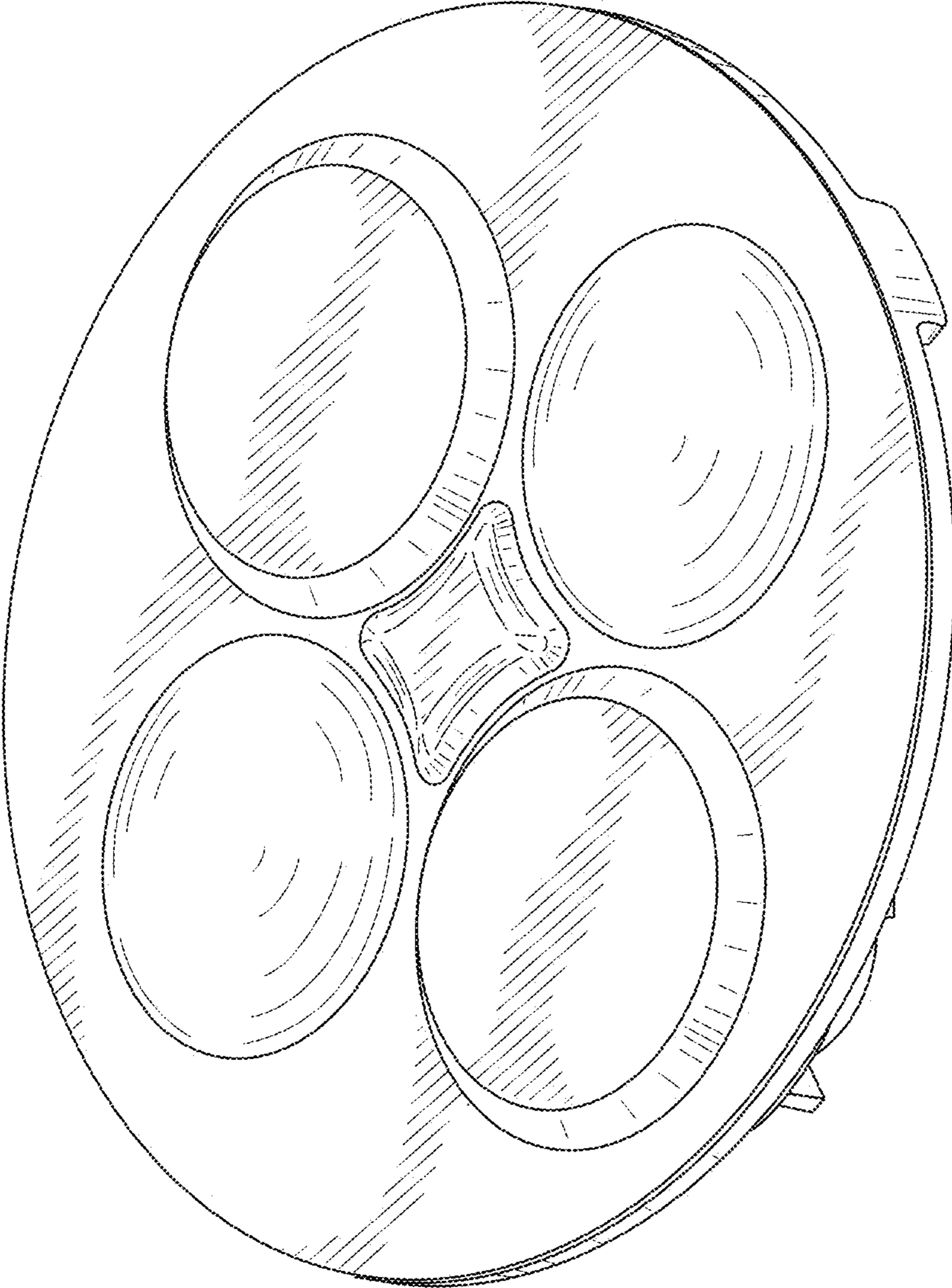


FIG. 1



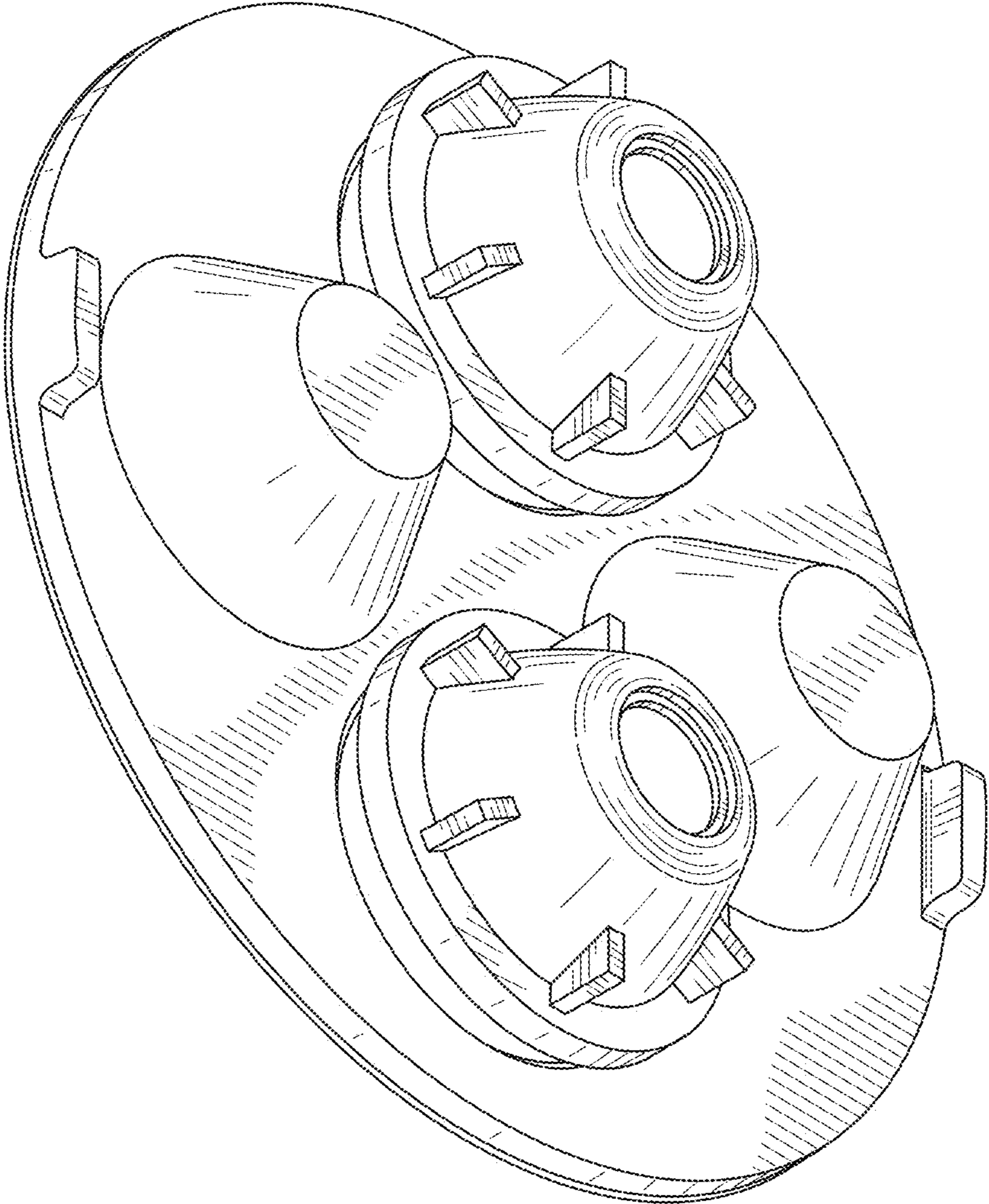
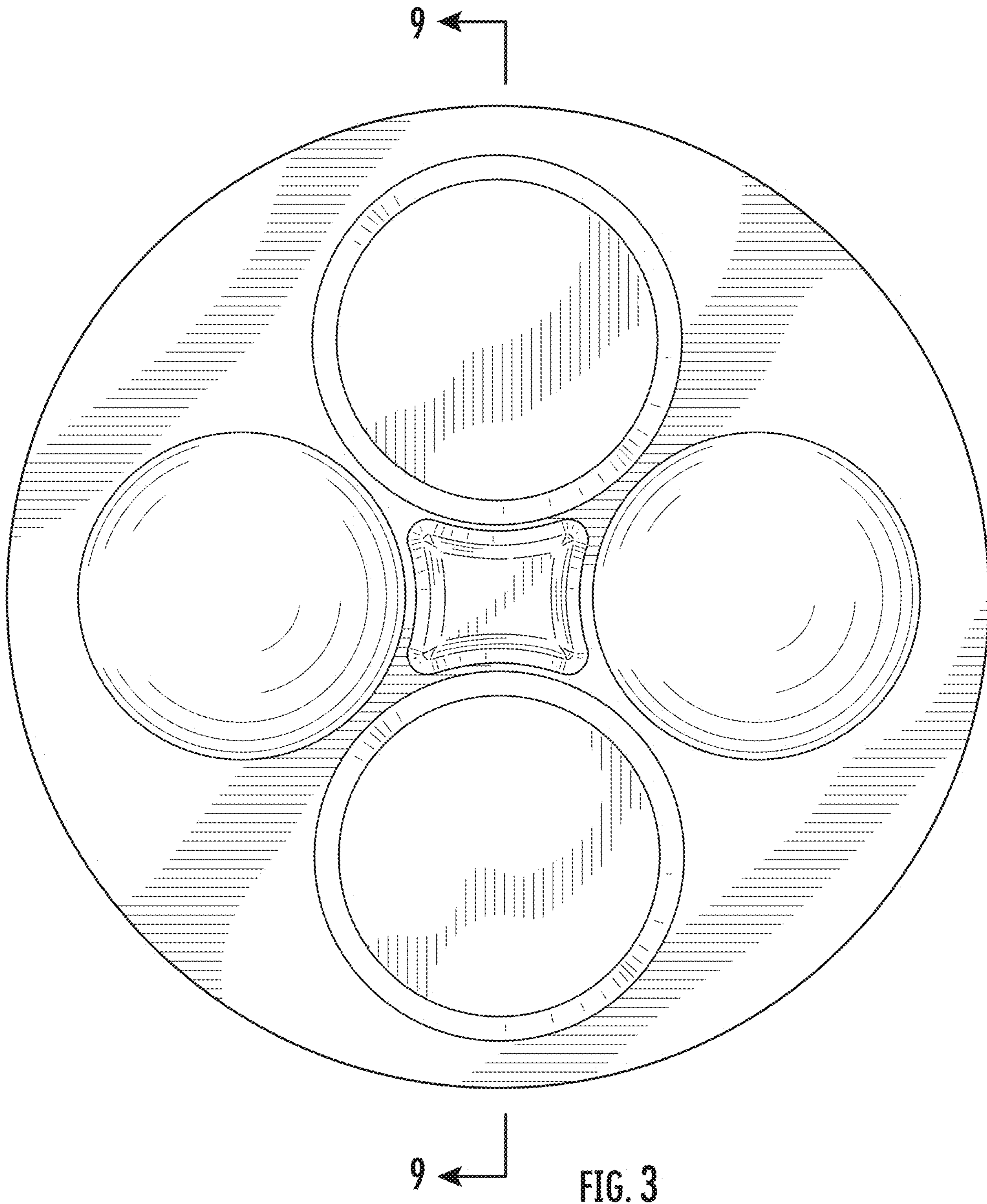


FIG. 2



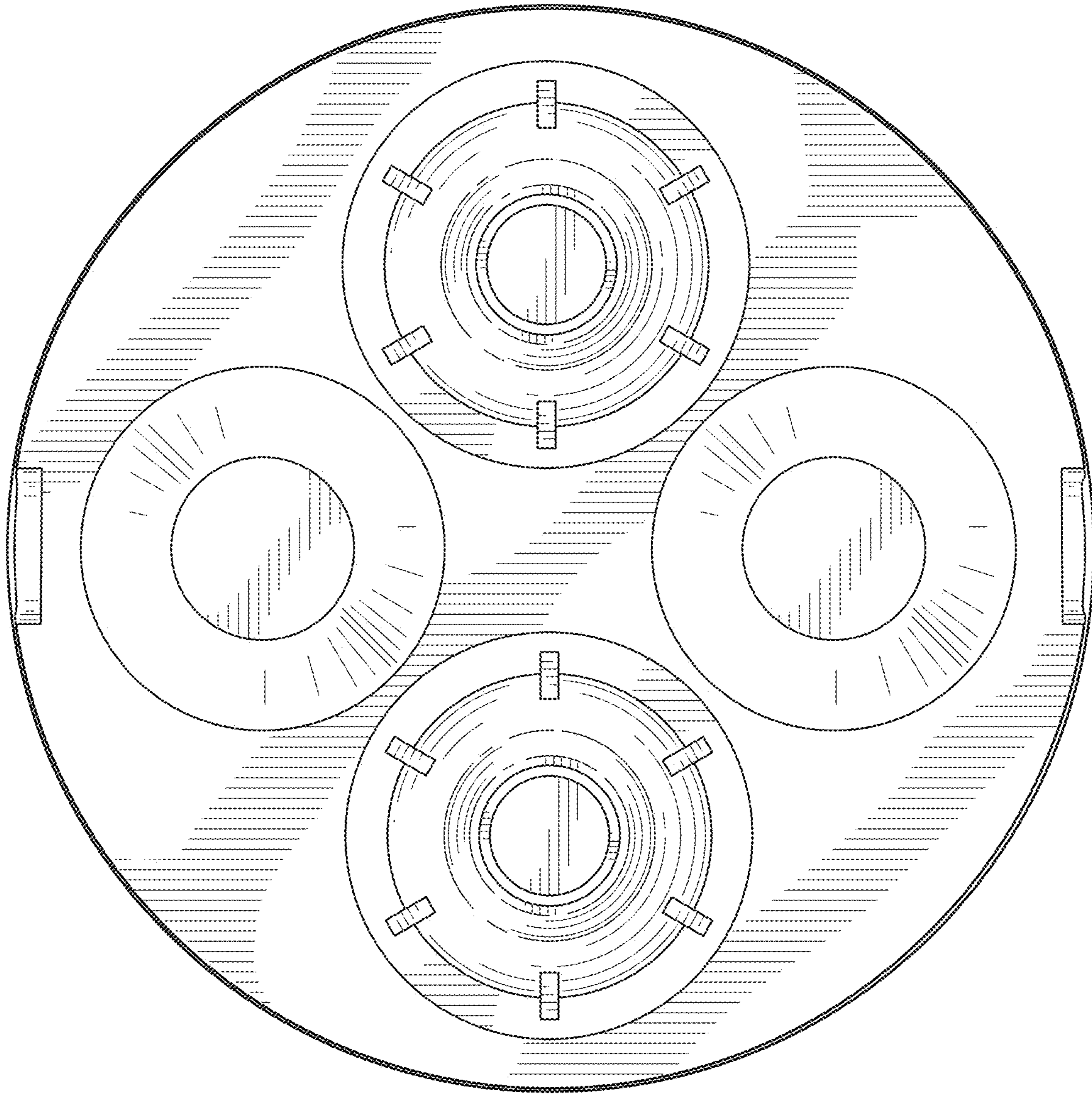


FIG. 4



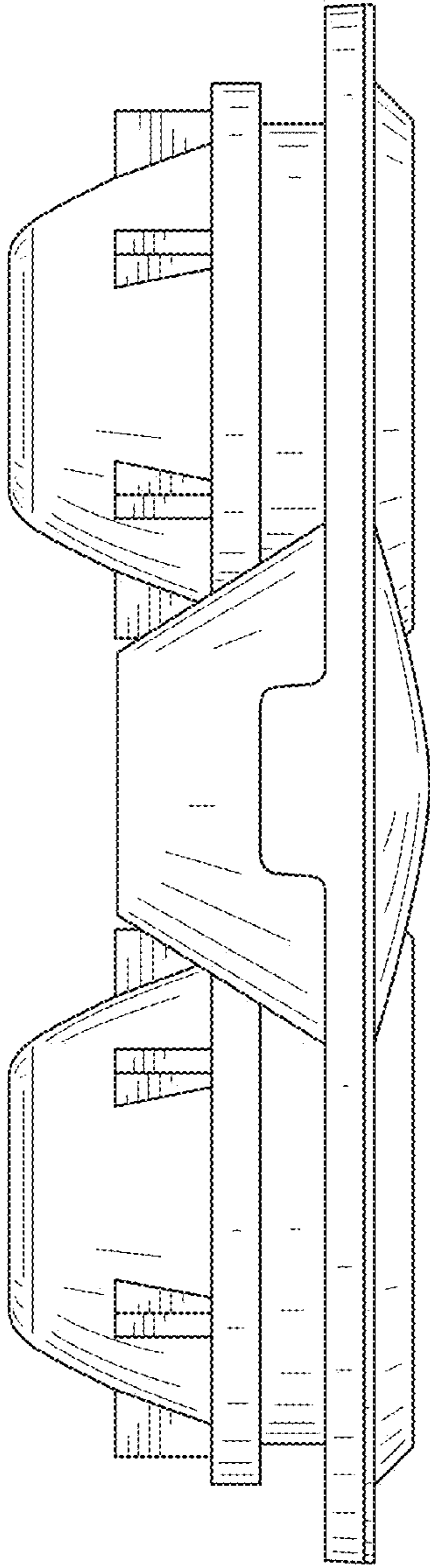


FIG. 5

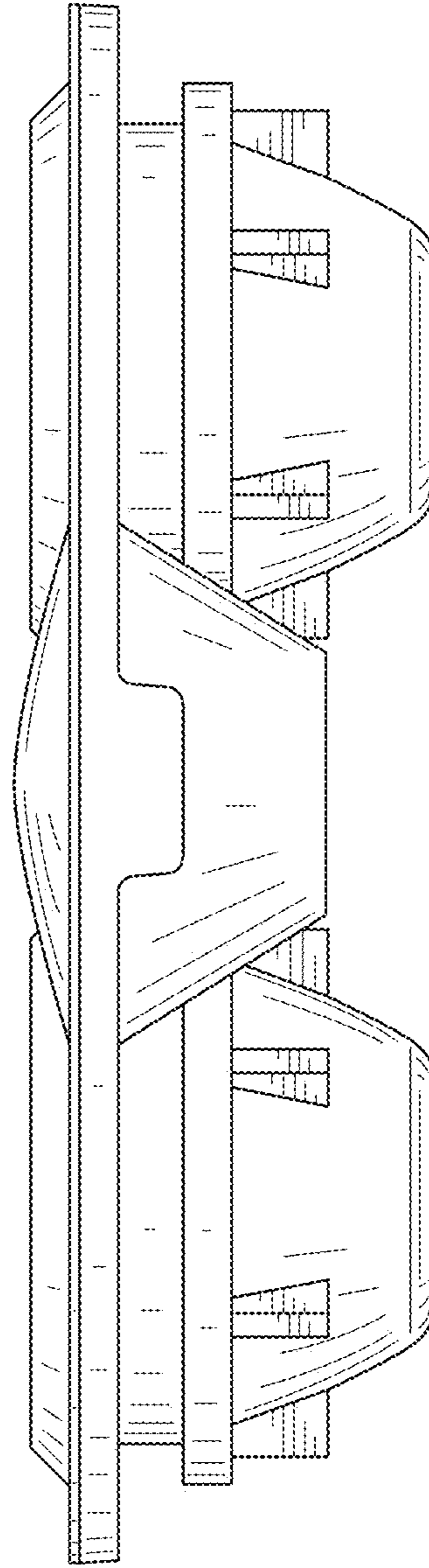


FIG. 6

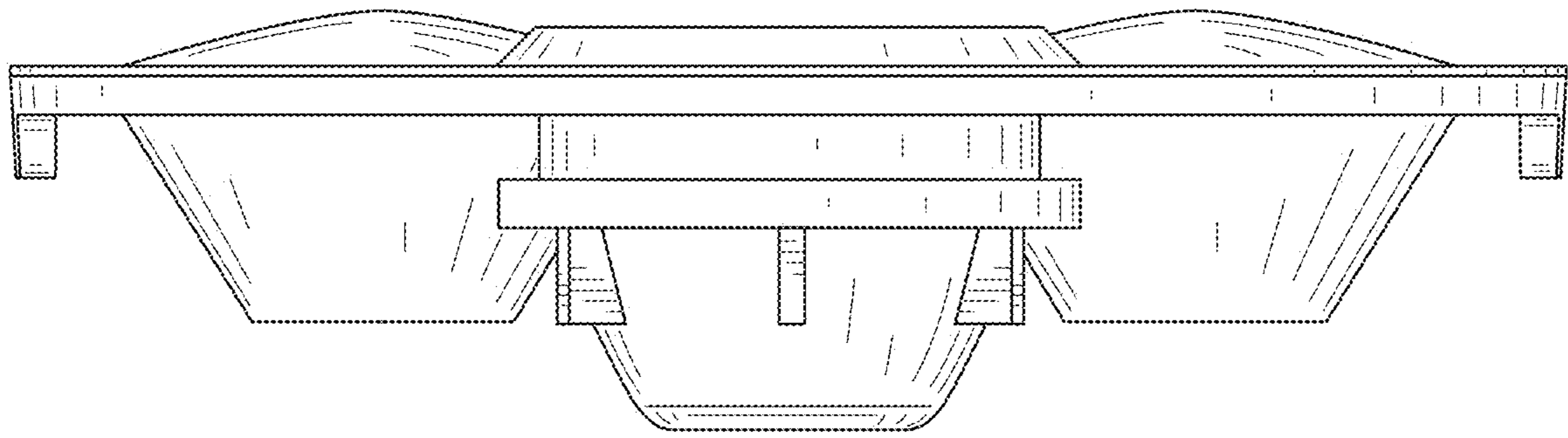


FIG. 7

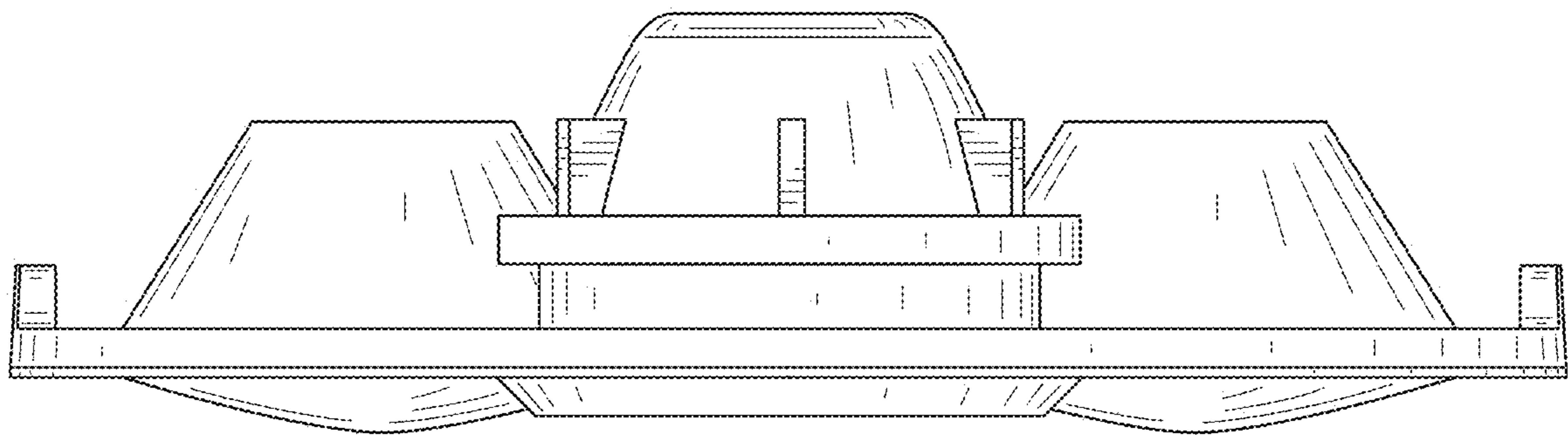


FIG. 8



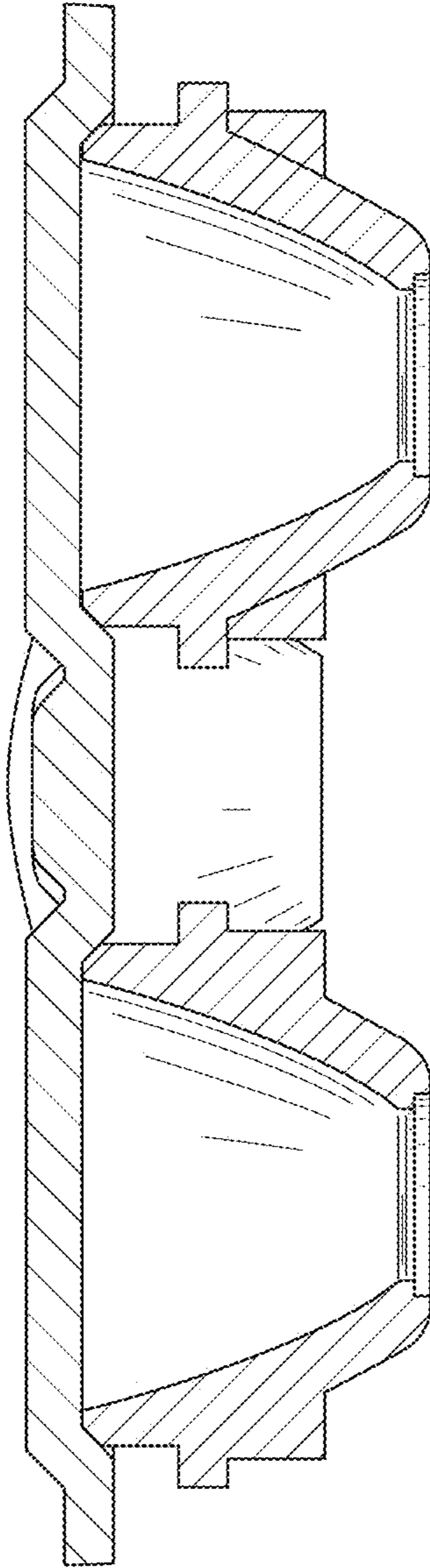


FIG. 9