



US00D959728S

(12) **United States Design Patent** (10) **Patent No.:** **US D959,728 S**
Li (45) **Date of Patent:** **** Aug. 2, 2022**

(54) **STAGE LIGHT**

(71) Applicant: **Bo Li**, Chenzhou (CN)

(72) Inventor: **Bo Li**, Chenzhou (CN)

(**) Term: **15 Years**

(21) Appl. No.: **29/798,652**

(22) Filed: **Jul. 9, 2021**

(51) **LOC (13) Cl.** **26-05**

(52) **U.S. Cl.**
USPC **D26/110; D26/104**

(58) **Field of Classification Search**
USPC D26/24, 36, 37, 61, 63, 65, 93, 104, 106,
D26/108, 110, 112
CPC .. F21S 10/00; F21S 10/02; F21S 10/06; F21S
10/063; F21S 6/00; F21S 6/002-008;
F21V 21/00; F21V 21/14; F21V 21/30;
F21V 14/00; F21V 14/02; F21V 15/01;
F21Y 2105/001

See application file for complete search history.

(56) **References Cited**

U.S. PATENT DOCUMENTS

D779,109 S *	2/2017	Wallach	D26/97
D840,582 S *	2/2019	Liu	D26/104
D875,994 S	2/2020	Yu		
D893,060 S *	8/2020	Israni	D26/24
D894,460 S	8/2020	Yu		
D898,271 S *	10/2020	Zheng	D26/110
D912,883 S *	3/2021	Zheng	D26/110
D914,958 S *	3/2021	Zheng	D26/110
D919,876 S *	5/2021	Ouyang	D26/110
D927,043 S *	8/2021	Tian	D26/93
D927,751 S *	8/2021	Zheng	D26/94
D927,767 S *	8/2021	Zheng	D26/110
D945,052 S *	3/2022	Huang	D26/112
D946,195 S *	3/2022	Zhong	D26/67

11,287,094 B2 *	3/2022	Zheng	F21V 33/0056
D948,095 S *	4/2022	Zheng	D26/104
D948,768 S *	4/2022	Ouyang	D26/110
D948,776 S *	4/2022	Dai	D26/110
2021/0364142 A1 *	11/2021	Zheng	F21S 10/007

* cited by examiner

Primary Examiner — Wan Laymon
Assistant Examiner — Clint A Samuel

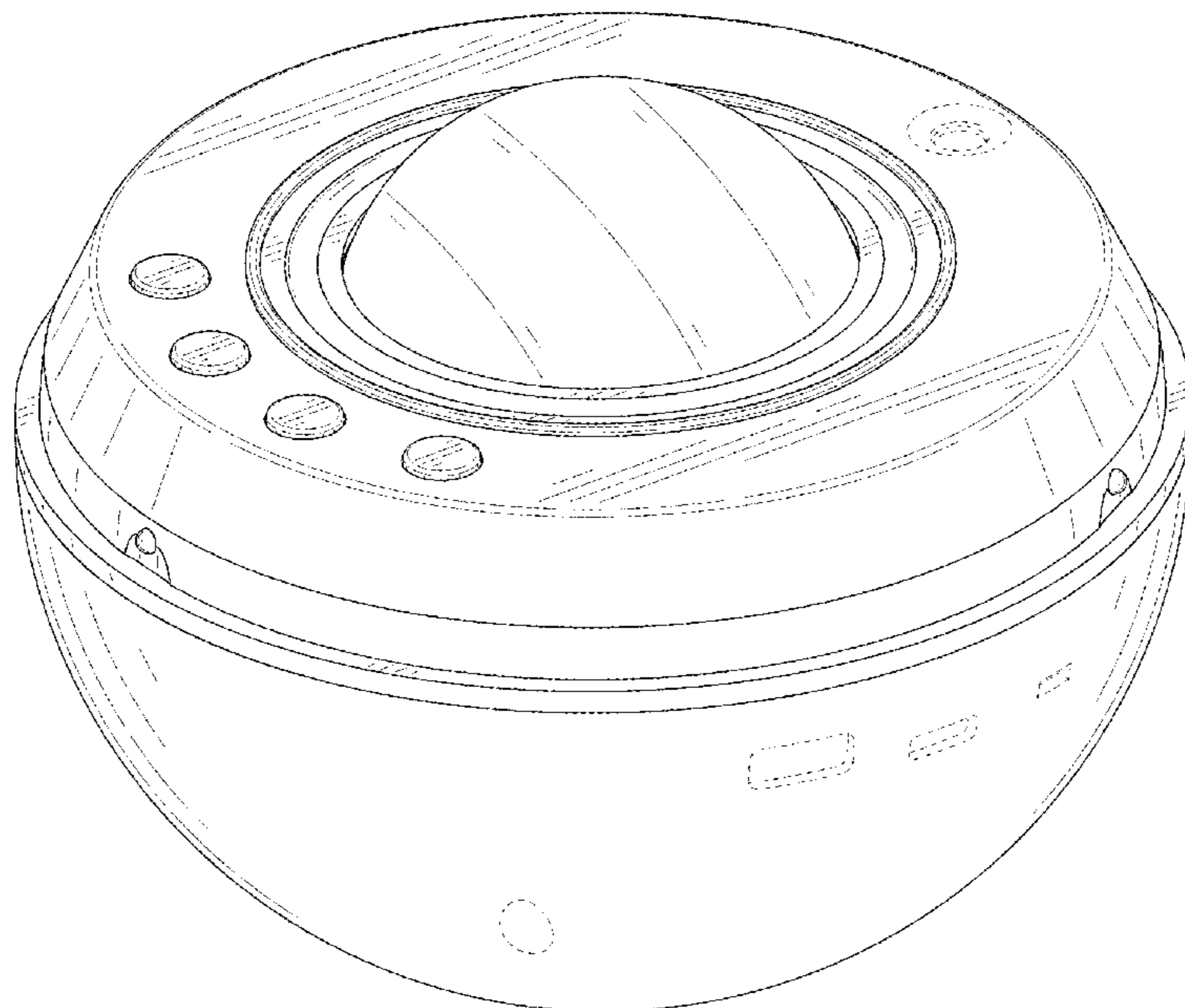
(57) **CLAIM**

The ornamental design for a stage light, as shown and described.

DESCRIPTION

FIG. 1 is a perspective view of a stage light showing my new design;
 FIG. 2 is another perspective view thereof;
 FIG. 3 is a front elevational view thereof;
 FIG. 4 is a rear elevational view thereof;
 FIG. 5 is a left side elevational view thereof;
 FIG. 6 is a right side elevational view thereof;
 FIG. 7 is a top plan view thereof;
 FIG. 8 is a bottom plan view thereof;
 FIG. 9 is a perspective view of FIG. 1 in a second state, shown with an unclaimed cap;
 FIG. 10 is another perspective view of FIG. 9 showing in an exploded state; and,
 FIG. 11 is an enlarged view of the stage light shown within the area designated as 11 in FIG. 2.
 The broken lines in the drawings are for the purpose of illustrating portions of the stage light that form no part of the claimed design. The dot-dashed broken line in FIG. 11 shows the boundary of the enlarged view and forms no part of the claimed design.

1 Claim, 11 Drawing Sheets



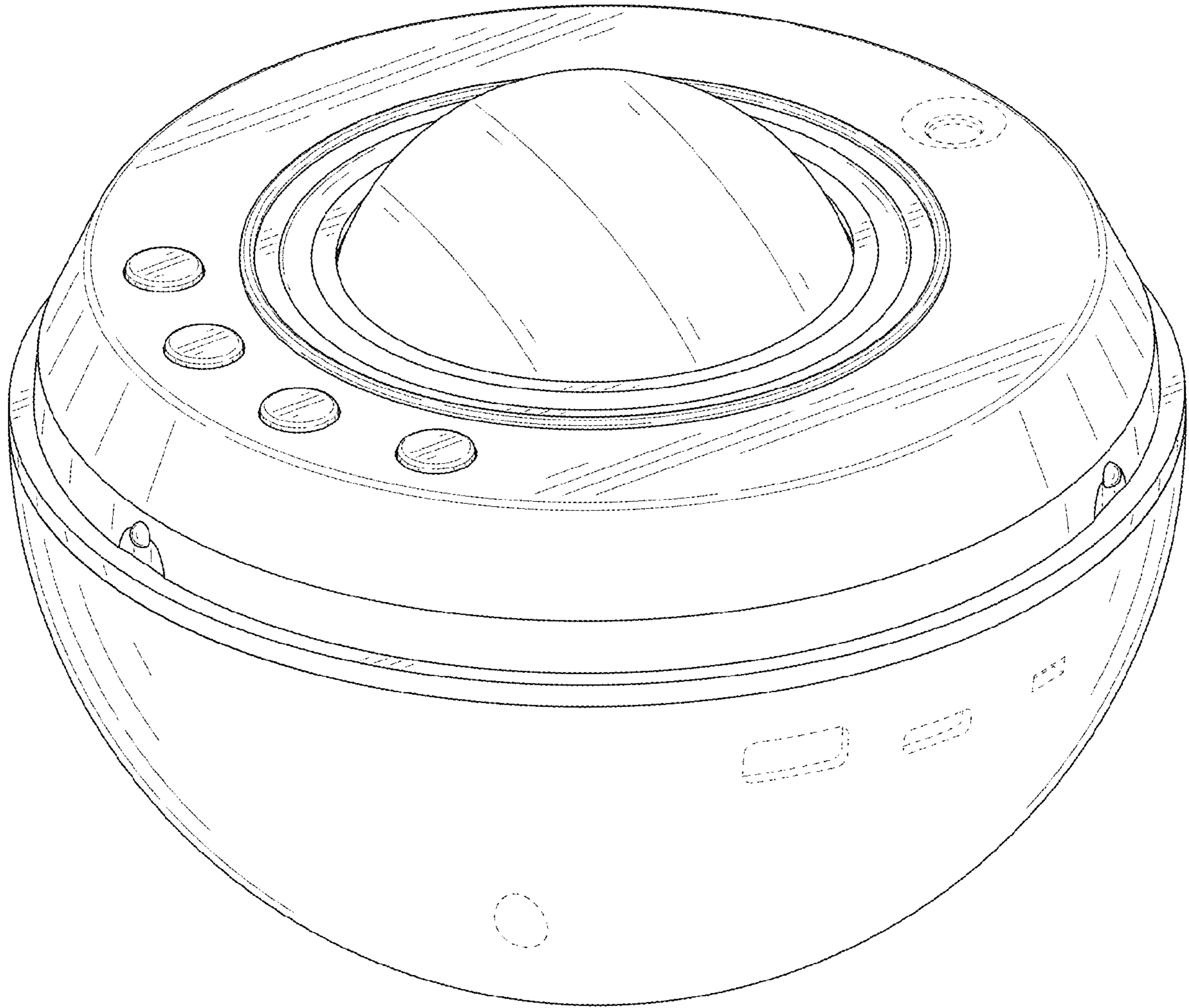


FIG. 1

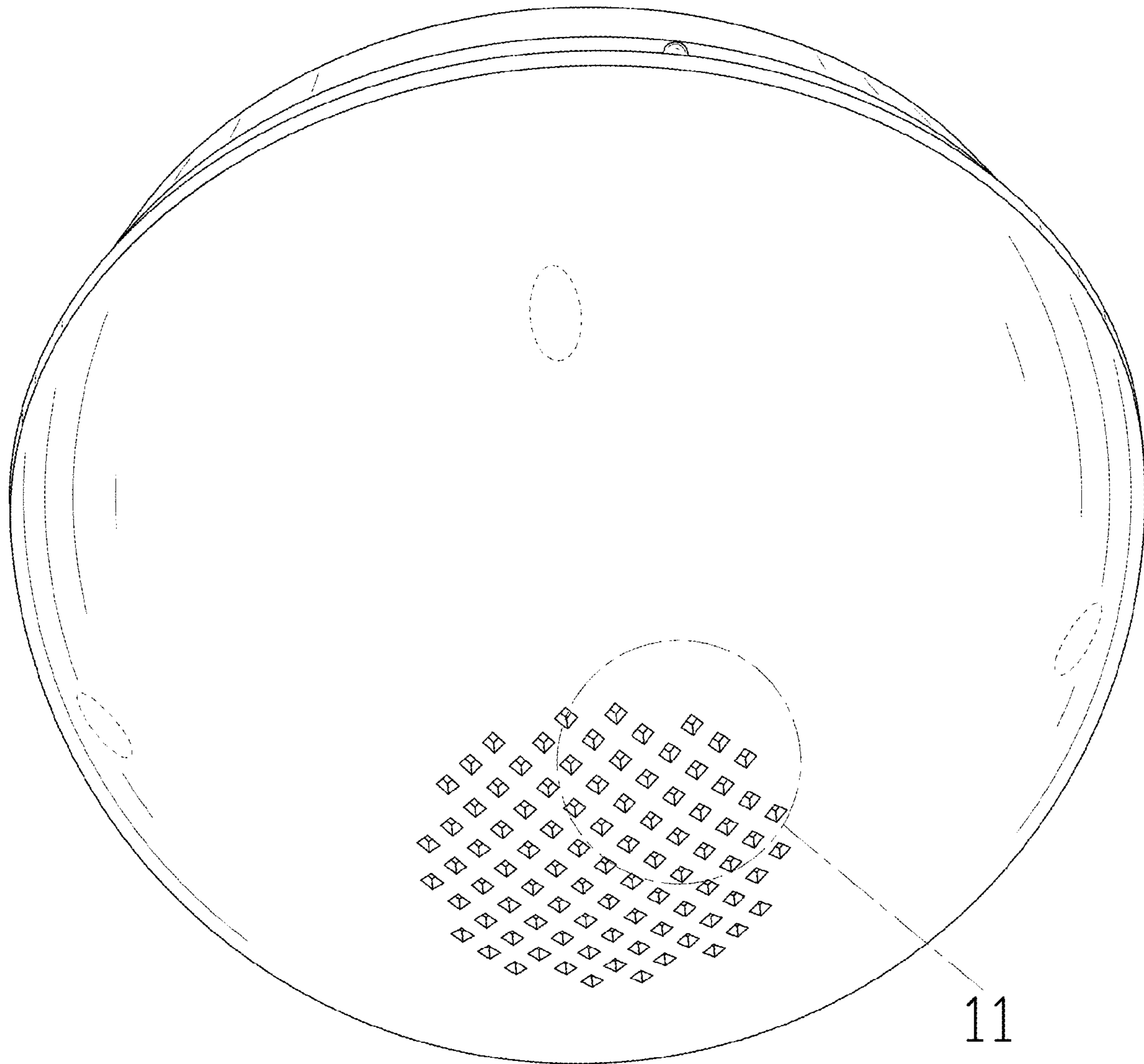


FIG. 2

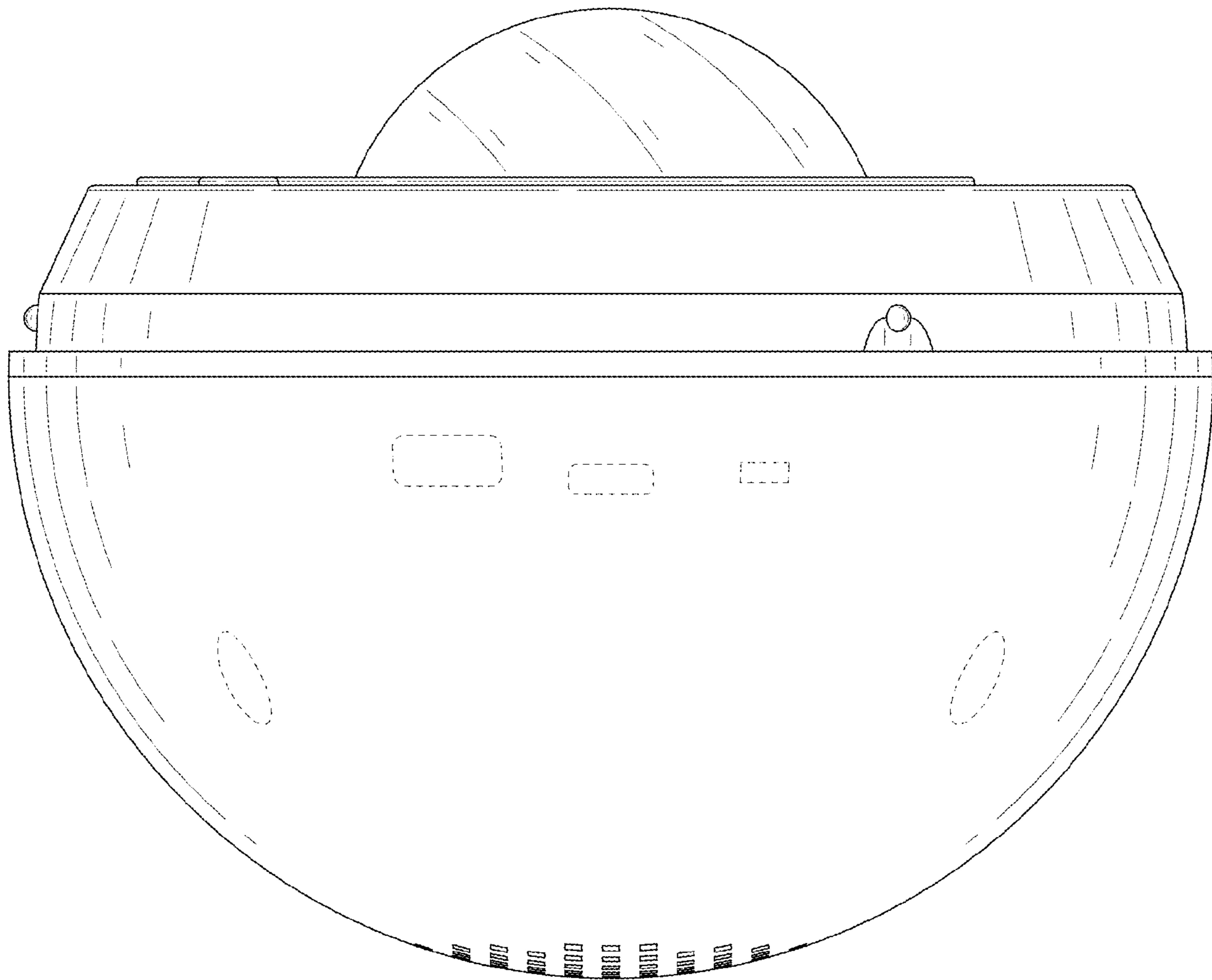


FIG. 3

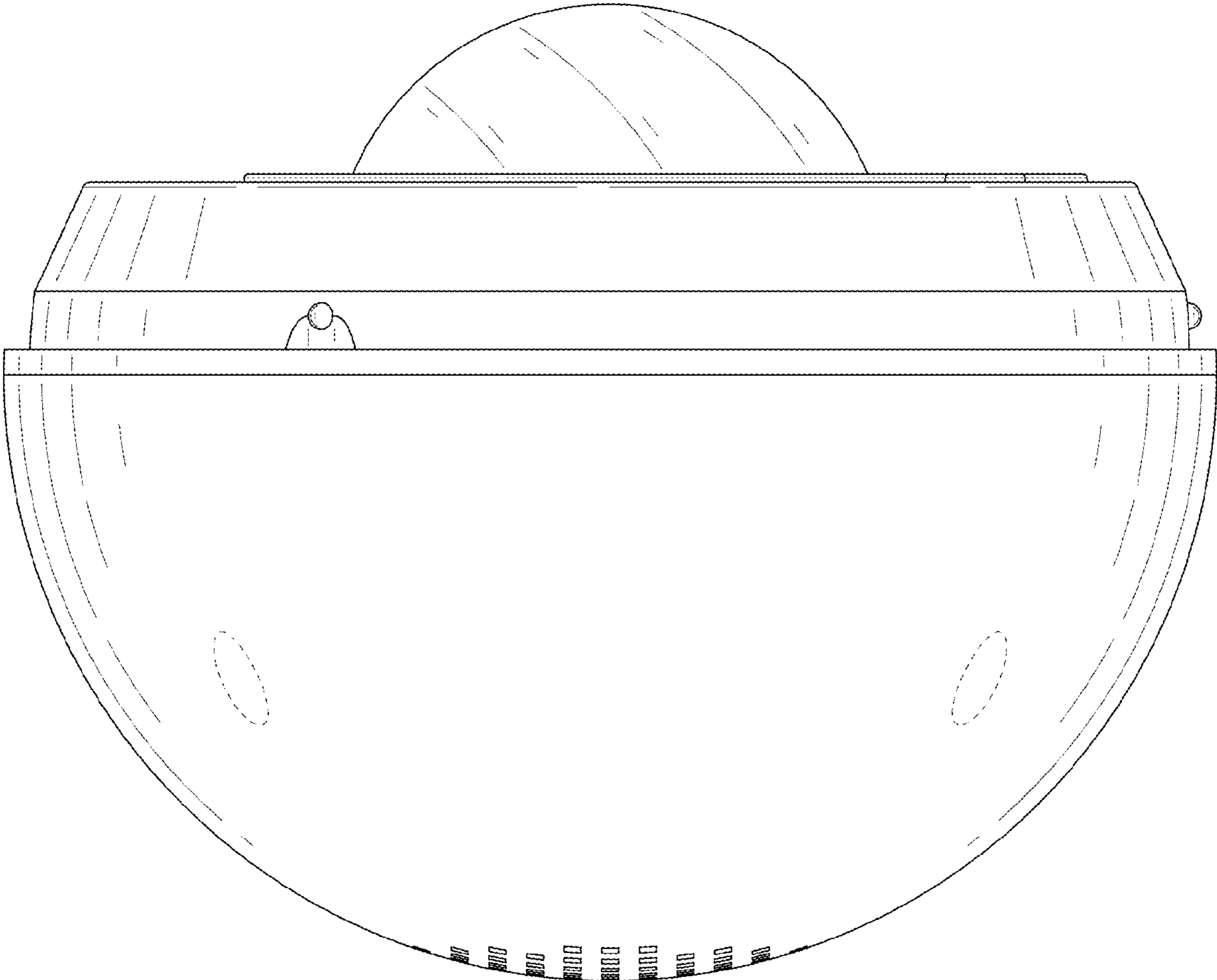


FIG. 4

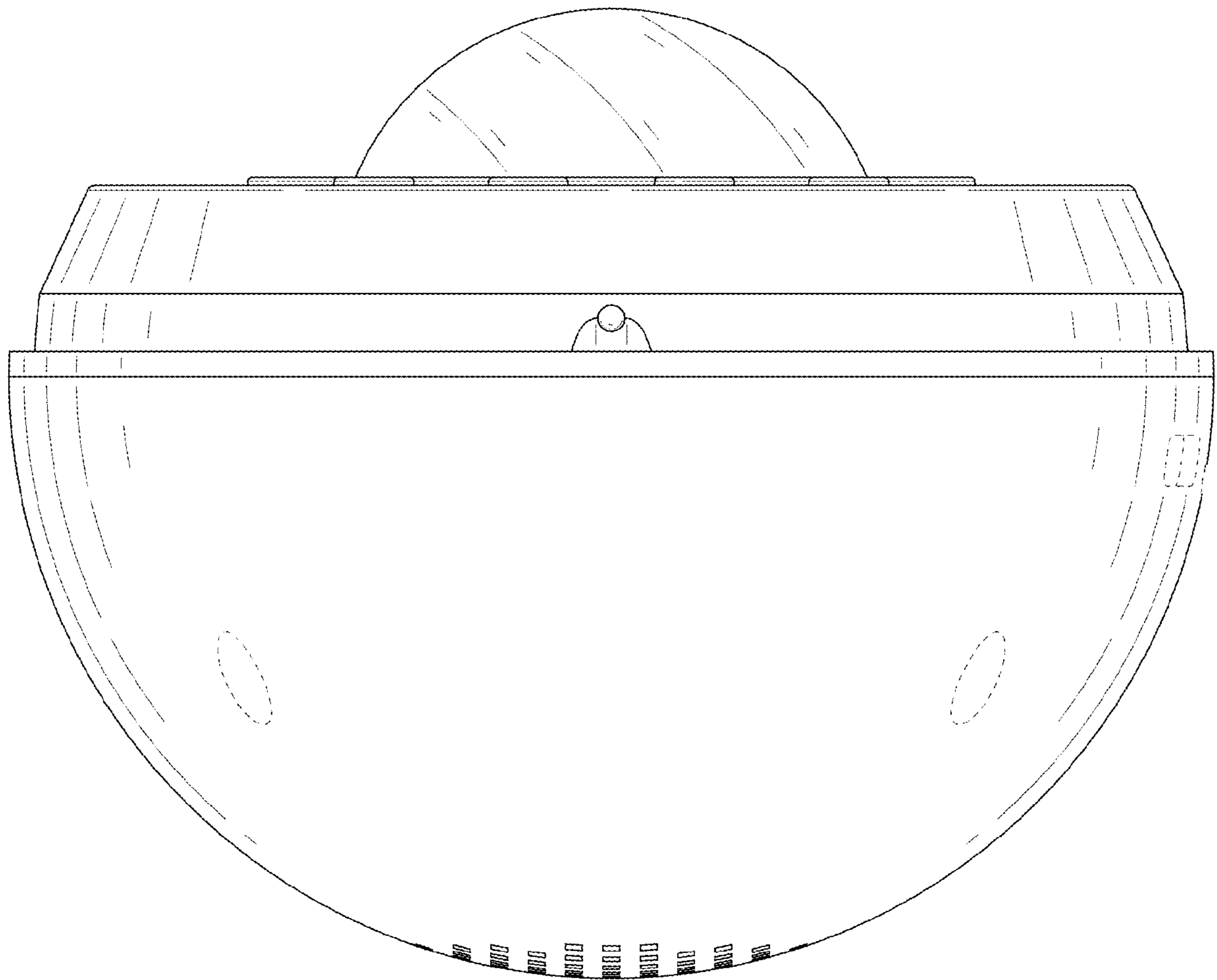


FIG. 5

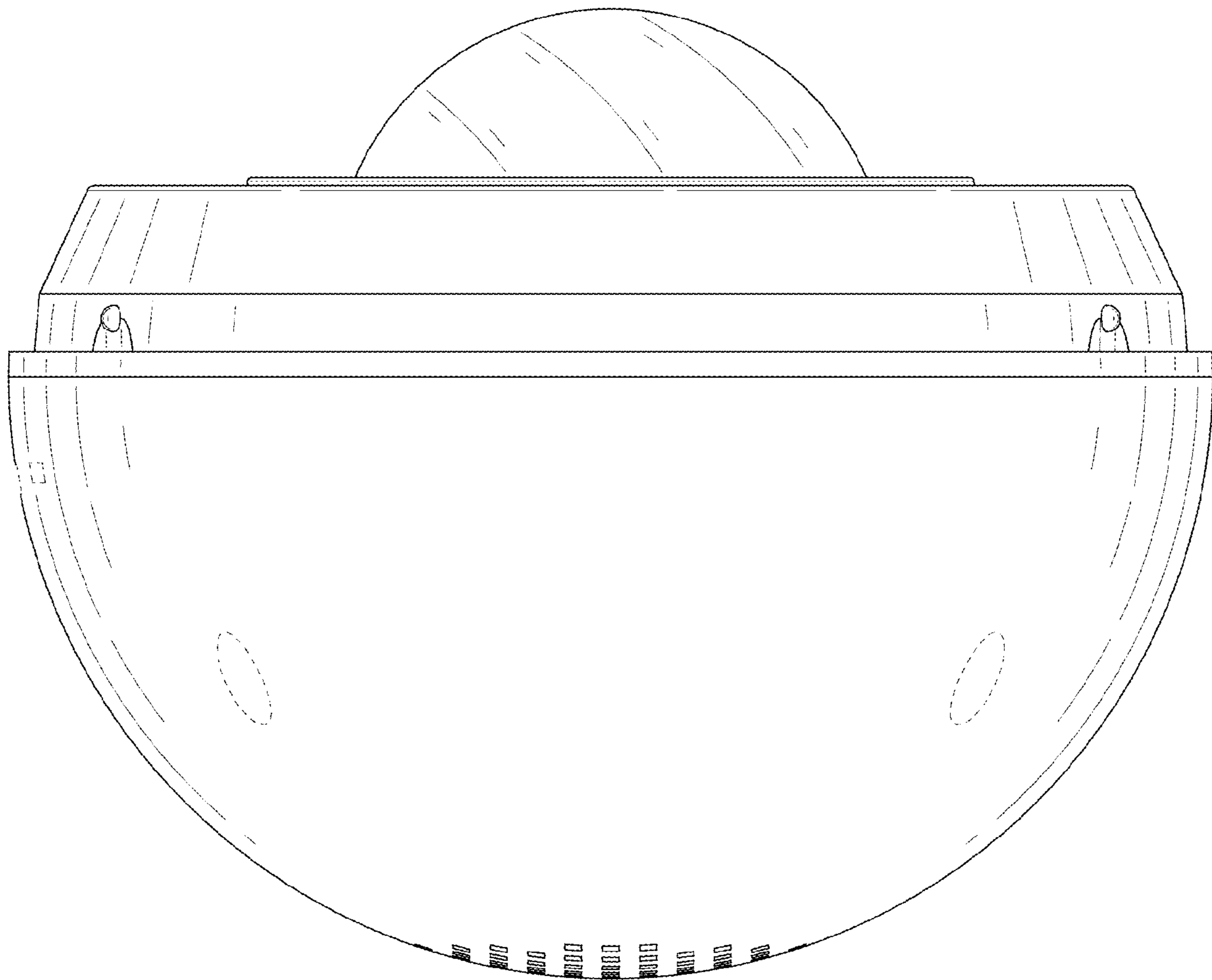


FIG. 6

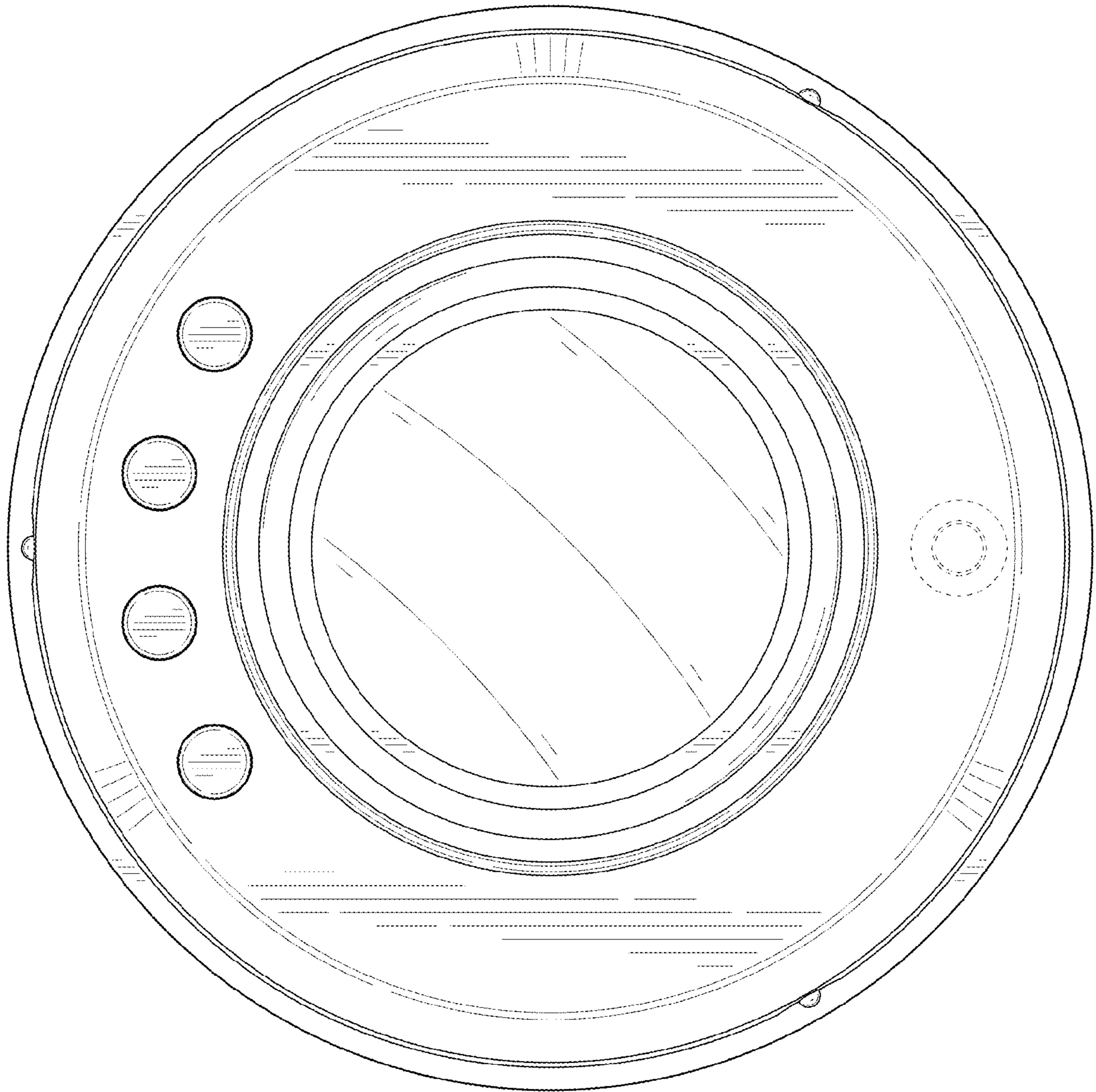


FIG. 7

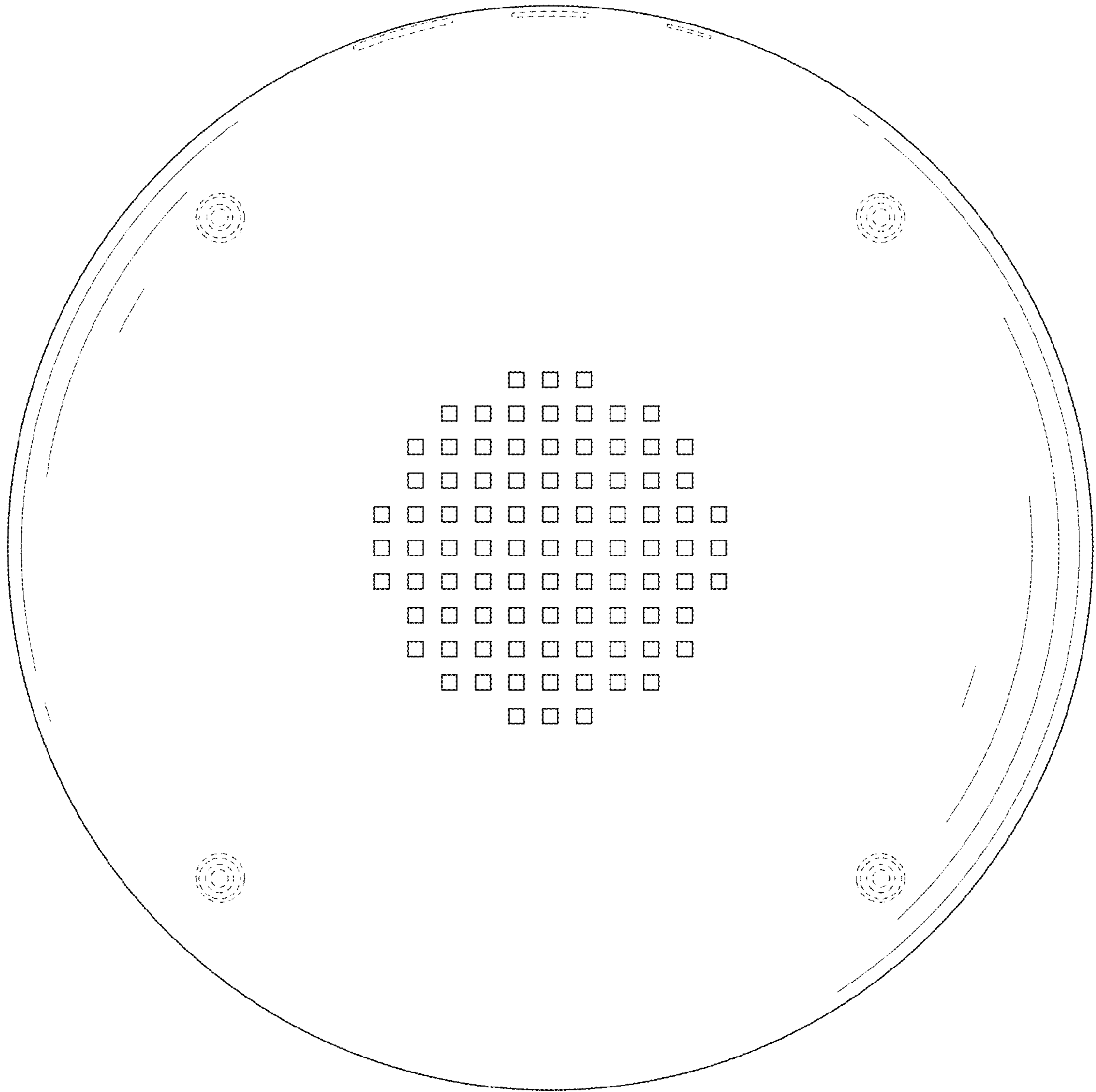


FIG. 8

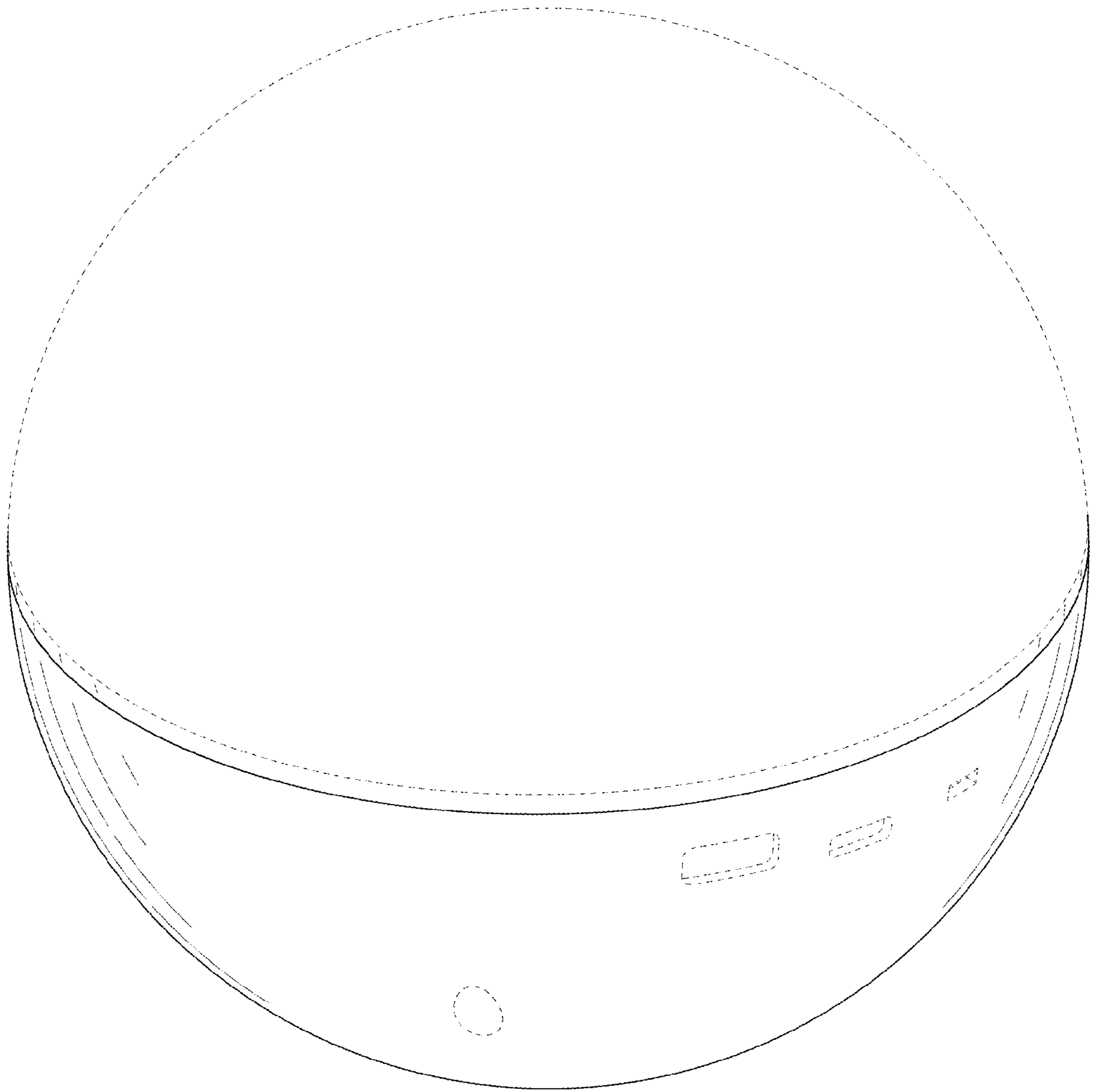


FIG. 9

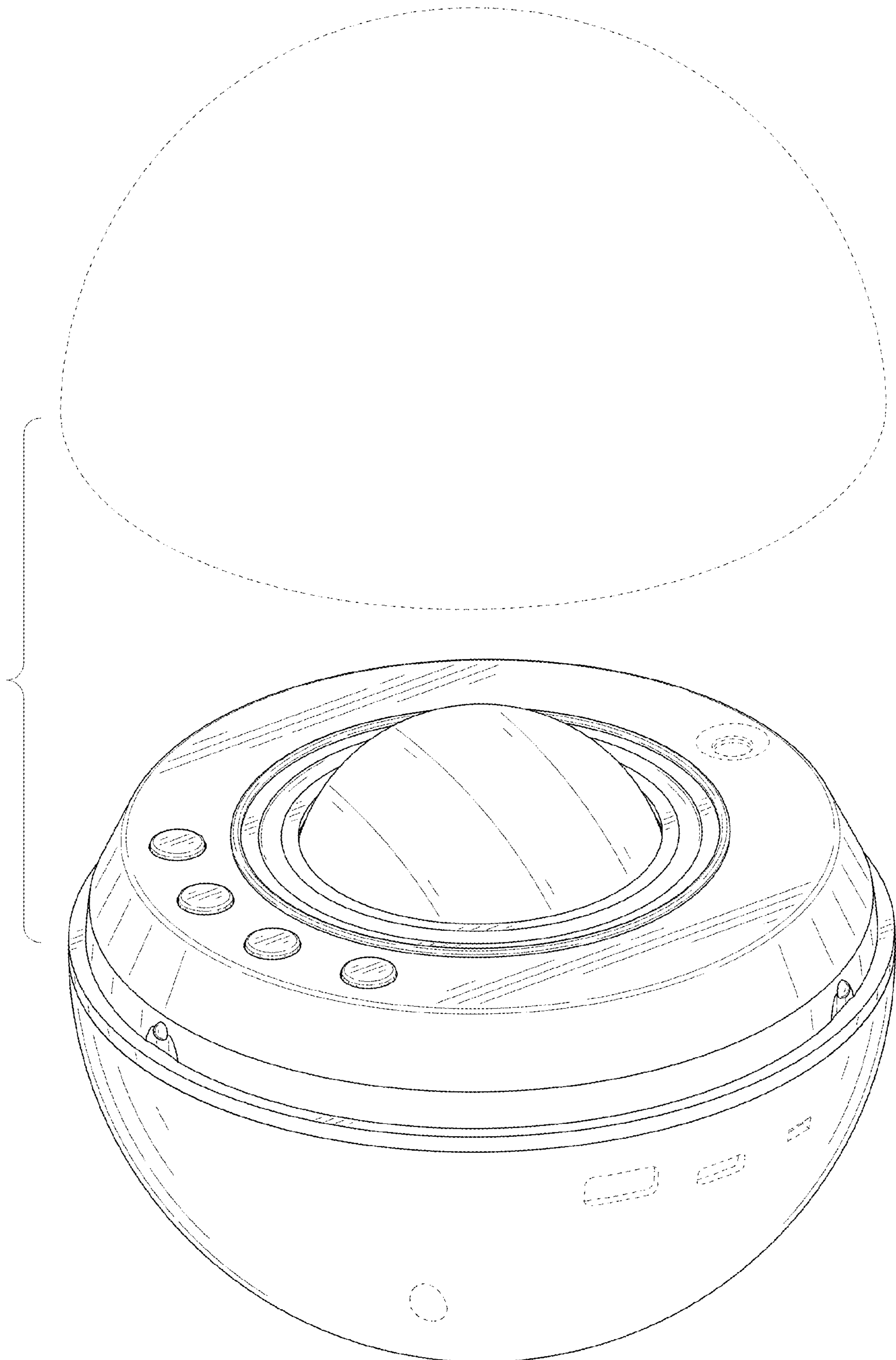


FIG. 10

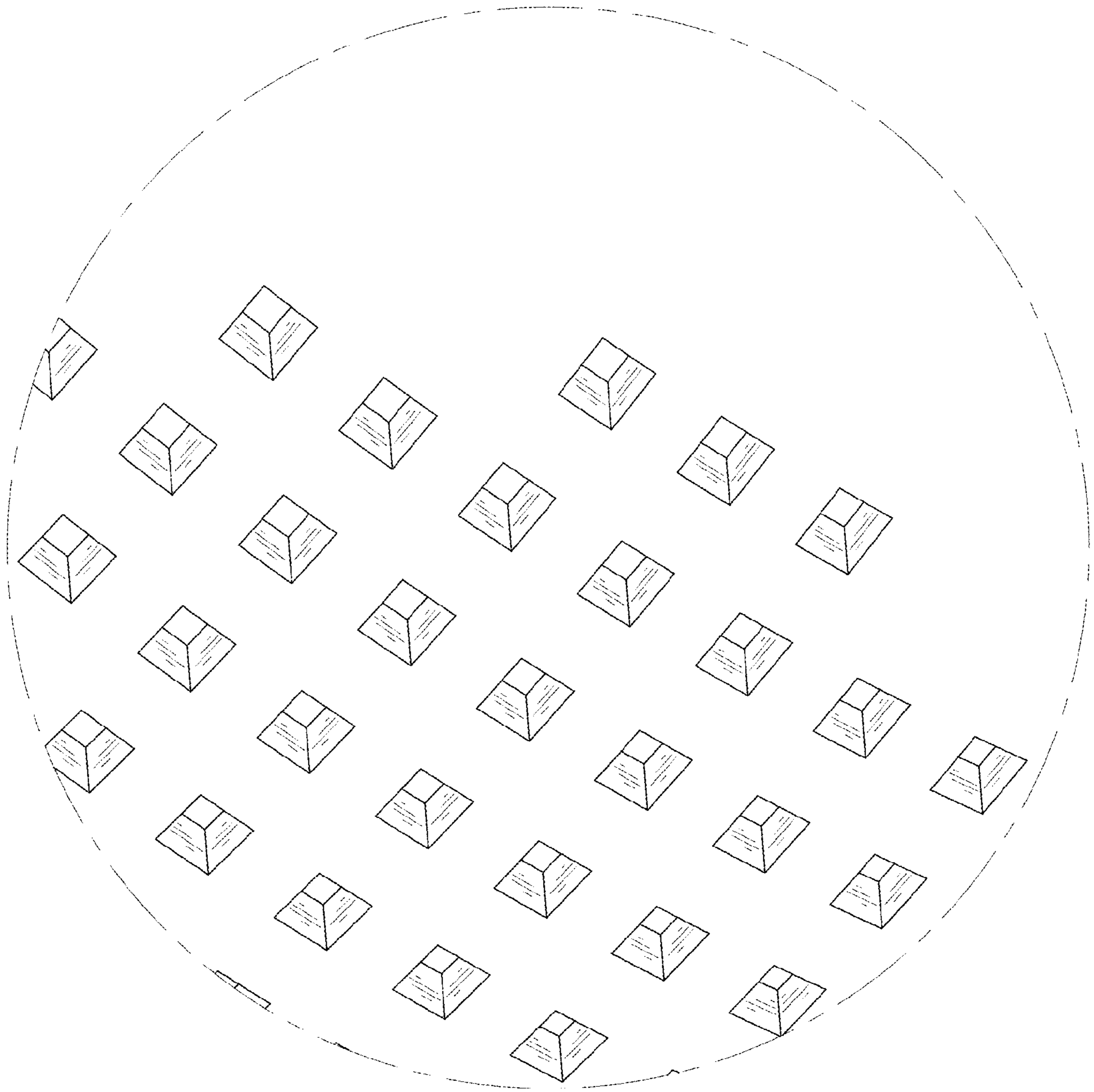


FIG. 11