



US00D959727S

(12) **United States Design Patent** (10) **Patent No.:** **US D959,727 S**  
**Tang** (45) **Date of Patent:** **\*\* Aug. 2, 2022**

(54) **PROJECTOR LIGHT**

FOREIGN PATENT DOCUMENTS

(71) Applicant: **Tianying Tang**, Meizhou (CN)

GB 6175006 \* 11/2021

(72) Inventor: **Tianying Tang**, Meizhou (CN)

OTHER PUBLICATIONS

(\*\*) Term: **15 Years**

Amazon, "Northern Lights Aurora Projector", first available Mar. 30, 2021. (<https://www.amazon.com/Northern-Projector-AIRIVO-Bluetooth-Speaker/dp/B091CMF24J?th=1>) (Year: 2021).\*

(21) Appl. No.: **29/796,531**

Amazon, "KFK Galaxy Projector", first available Oct. 7, 2021. (<https://www.amazon.com/dp/B09HXC5H2Z/?th=1>) (Year: 2021).\*

(22) Filed: **Jun. 24, 2021**

Amazon, "Star Projector Night Light, LinBii", first available Jul. 29, 2021. (<https://www.amazon.com/dp/B09BFBXVYG/>) (Year: 2021).\*

(51) **LOC (13) Cl.** ..... **26-05**

Amazon, "Amulida Star Projector", first available Sep. 22, 2021. (<https://www.amazon.com/dp/B09DCR695G/>) (Year: 2021).\*

(52) **U.S. Cl.**

USPC ..... **D26/110**

(58) **Field of Classification Search**

USPC ..... D26/1, 24, 93, 98, 104, 110

CPC ..... F21L 2/00; F21L 4/00; F21L 4/02; F21L

4/025; F21L 4/027; F21L 14/00; F21S

2/00; F21S 8/03; F21S 8/033; F21S 6/00;

F21S 6/002; F21S 6/004; F21S 8/036;

F21S 8/037; F21S 9/00; F21S 9/02; F21V

21/10; F21V 21/108; F21W 2121/008

See application file for complete search history.

\* cited by examiner

*Primary Examiner* — Lauren D McVey

*Assistant Examiner* — Justin A Johnson

(57) **CLAIM**

The ornamental design for a projector light, as shown and described.

(56) **References Cited**

**DESCRIPTION**

U.S. PATENT DOCUMENTS

D512,170 S \* 11/2005 Canino ..... D26/61

D576,338 S \* 9/2008 Levine ..... D26/85

7,562,995 B1 \* 7/2009 Levine ..... F21V 14/02

362/372

D852,405 S \* 6/2019 Zeng ..... D26/104

D890,406 S \* 7/2020 Chen ..... D26/104

D891,682 S 7/2020 Wei

D914,957 S 3/2021 Zeng

D919,146 S \* 5/2021 Li ..... D26/94

D927,043 S \* 8/2021 Tian ..... D26/93

D927,767 S \* 8/2021 Zheng ..... D26/110

D932,087 S \* 9/2021 Ouyang ..... D26/106

D933,282 S \* 10/2021 Ji ..... D26/93

D943,800 S \* 2/2022 Wang ..... D26/104

D945,052 S \* 3/2022 Huang ..... D26/112

2021/0381666 A1 \* 12/2021 Zheng ..... G03B 21/145

FIG. 1 is a perspective view of a projector light showing my new design;

FIG. 2 is another perspective view thereof;

FIG. 3 is a front elevational view thereof;

FIG. 4 is a rear elevational view thereof;

FIG. 5 is a left side elevational view thereof;

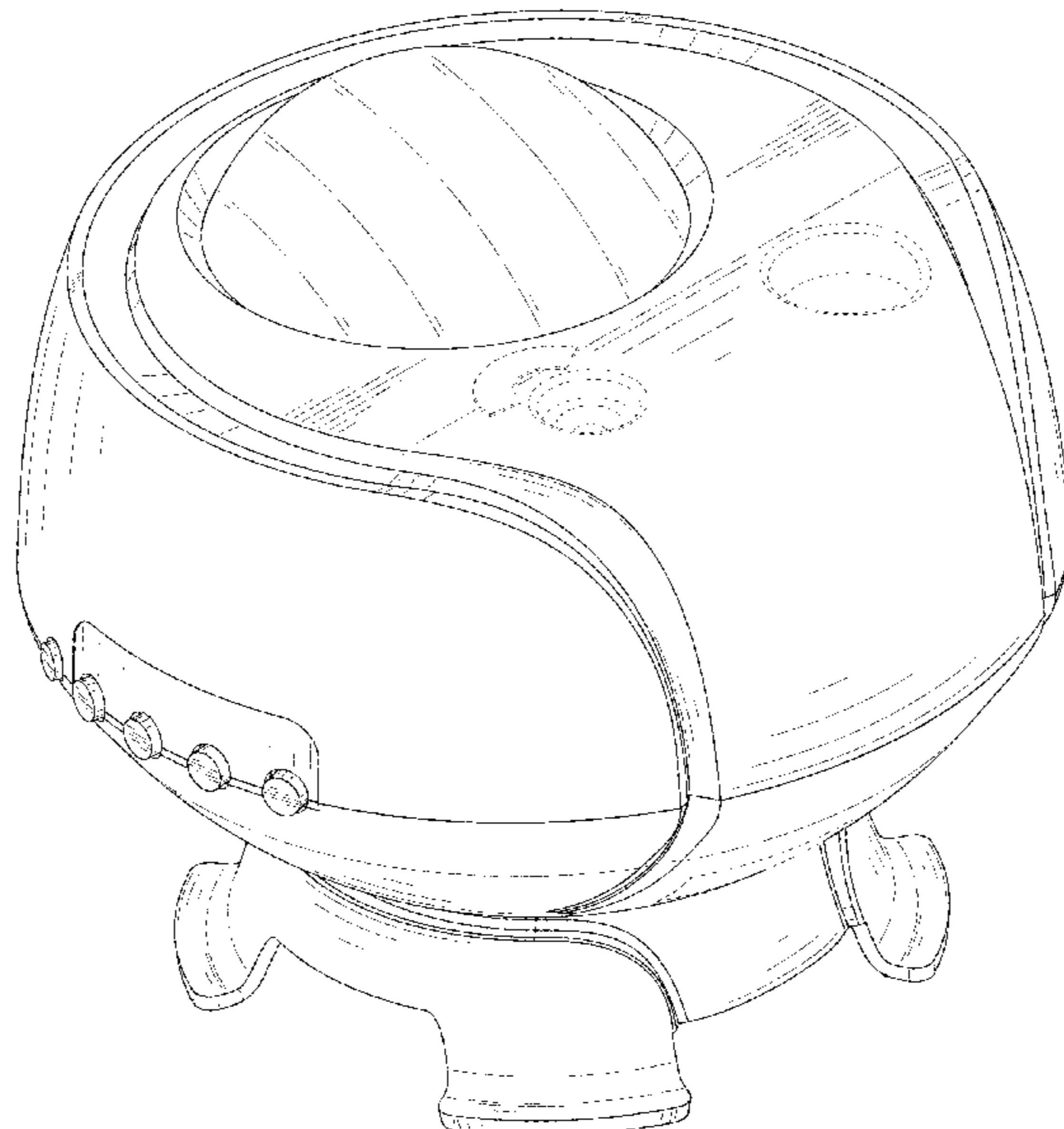
FIG. 6 is a right side elevational view thereof;

FIG. 7 is a top plan view thereof; and,

FIG. 8 is a bottom plan view thereof.

The broken lines immediately adjacent to the shaded areas depict the bounds of the claimed design, while all other broken lines are directed to environment. The broken lines form no part of the claimed design.

**1 Claim, 8 Drawing Sheets**



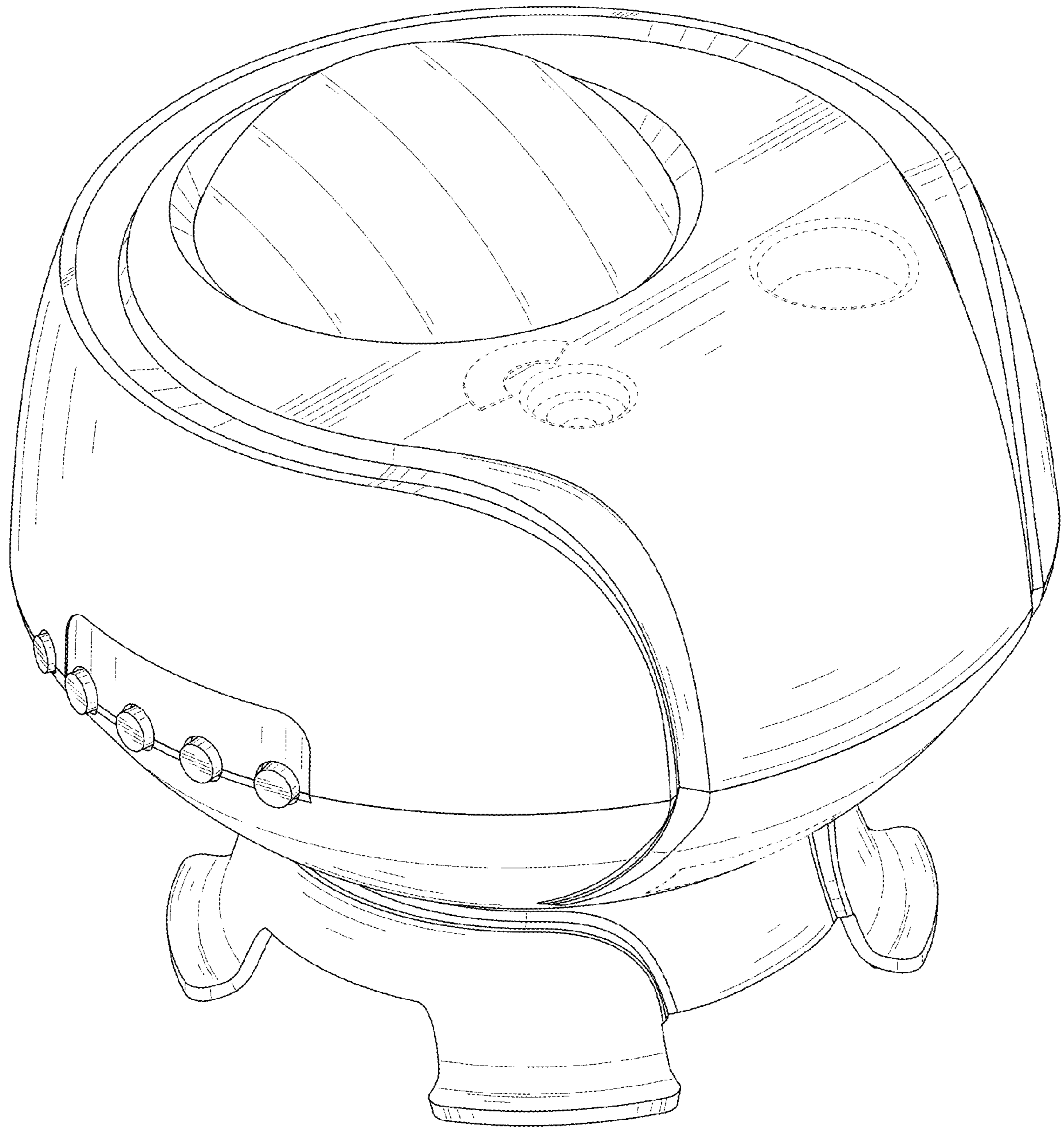


FIG. 1

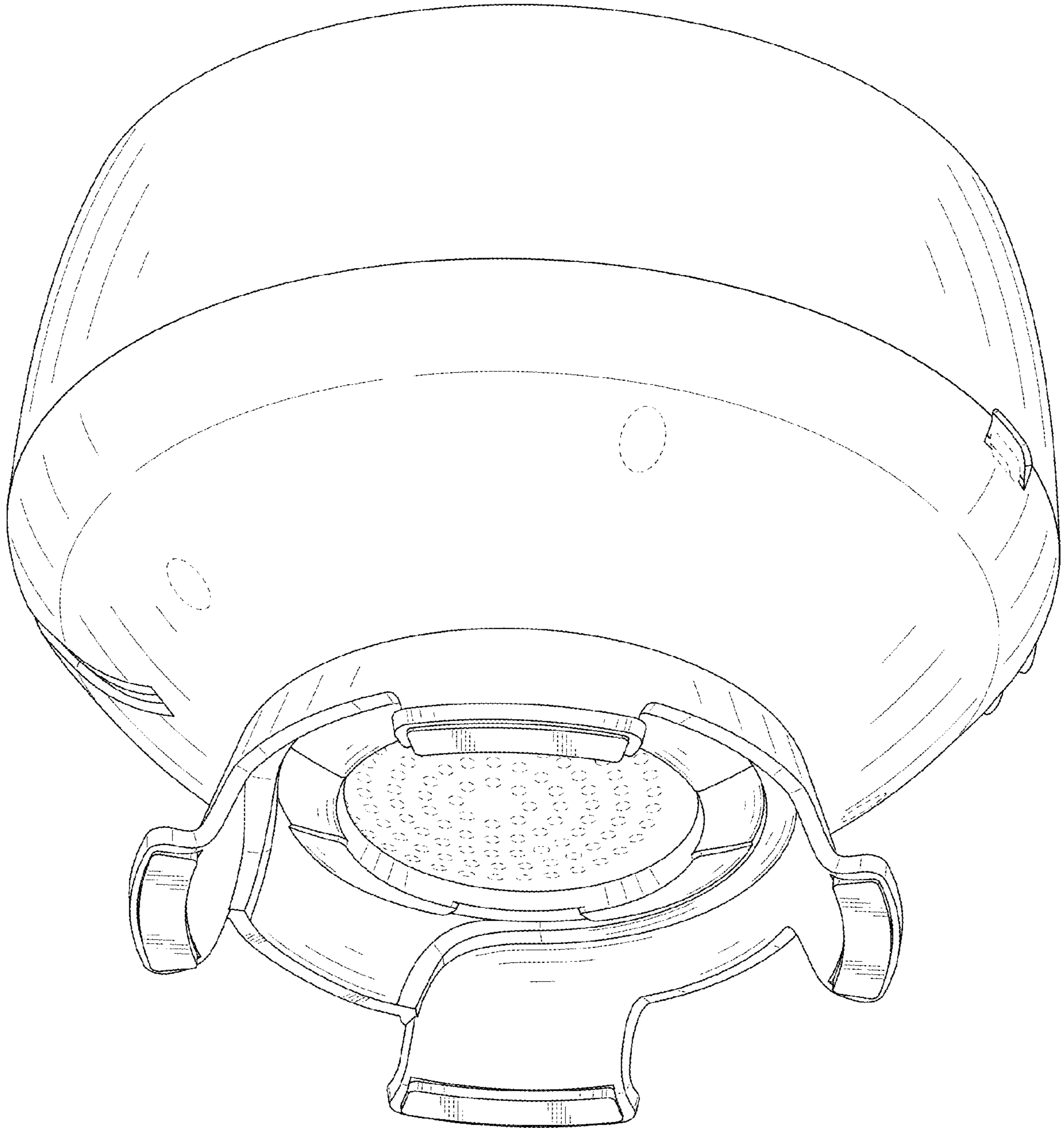


FIG. 2

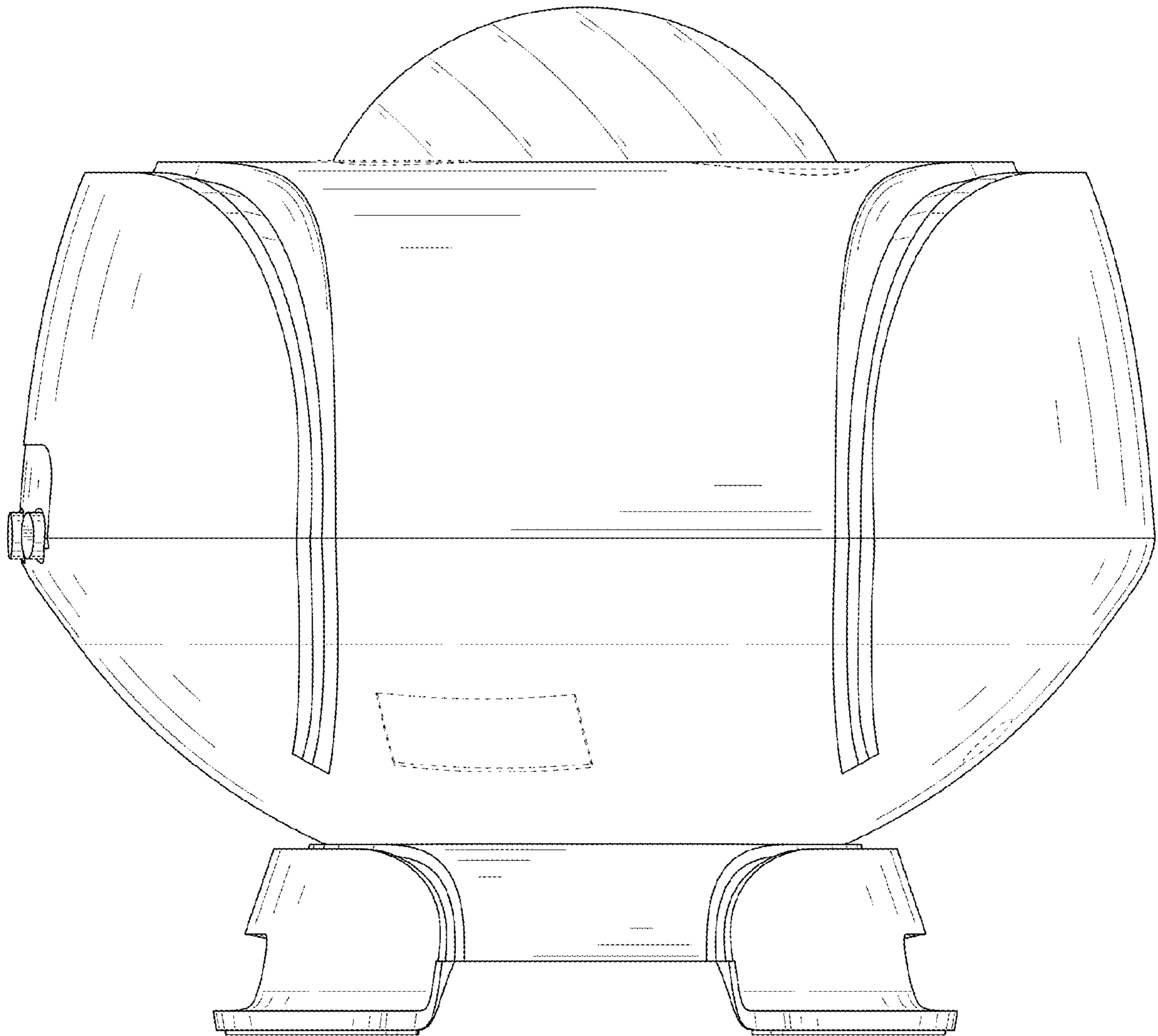


FIG. 3

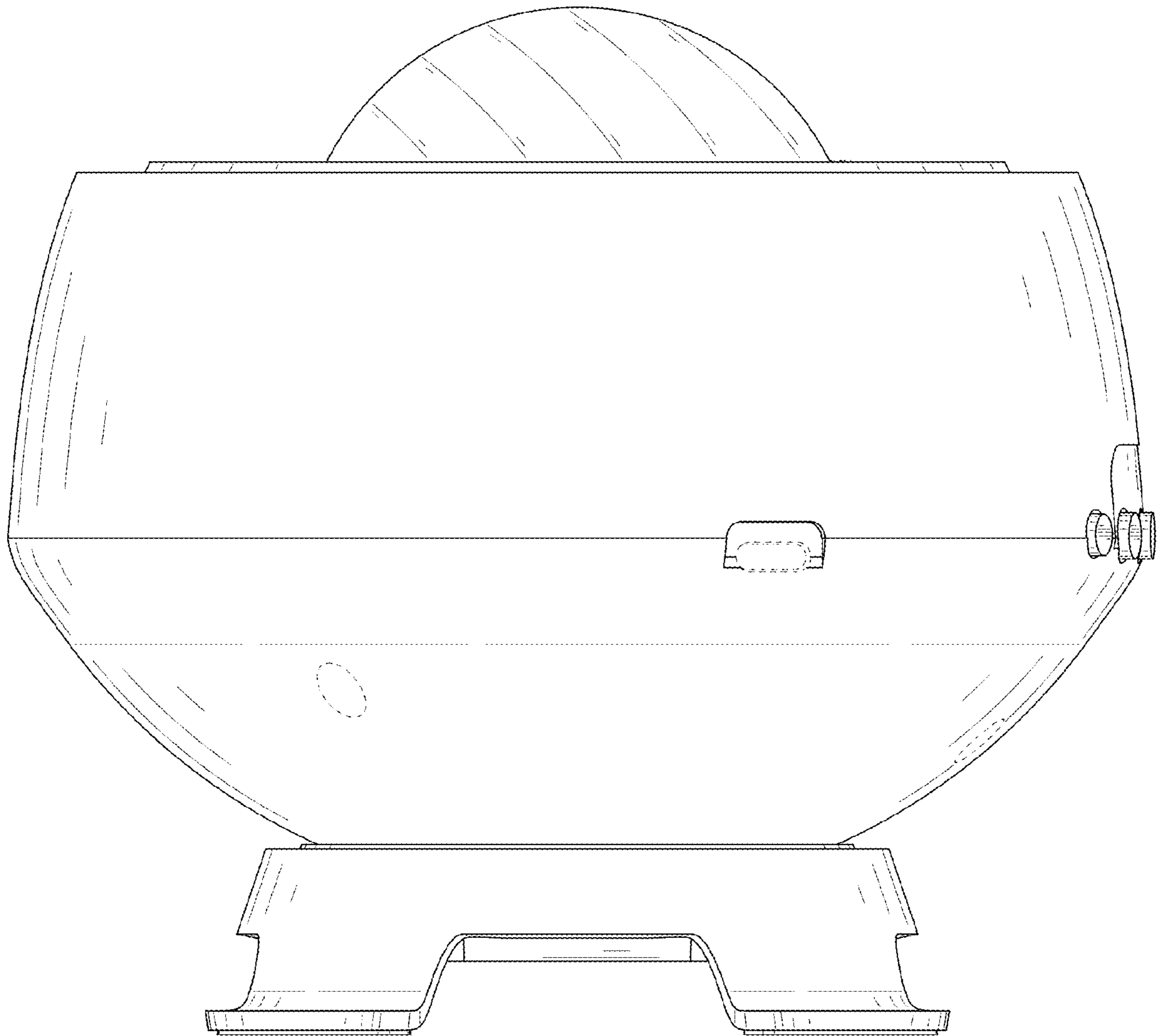


FIG. 4

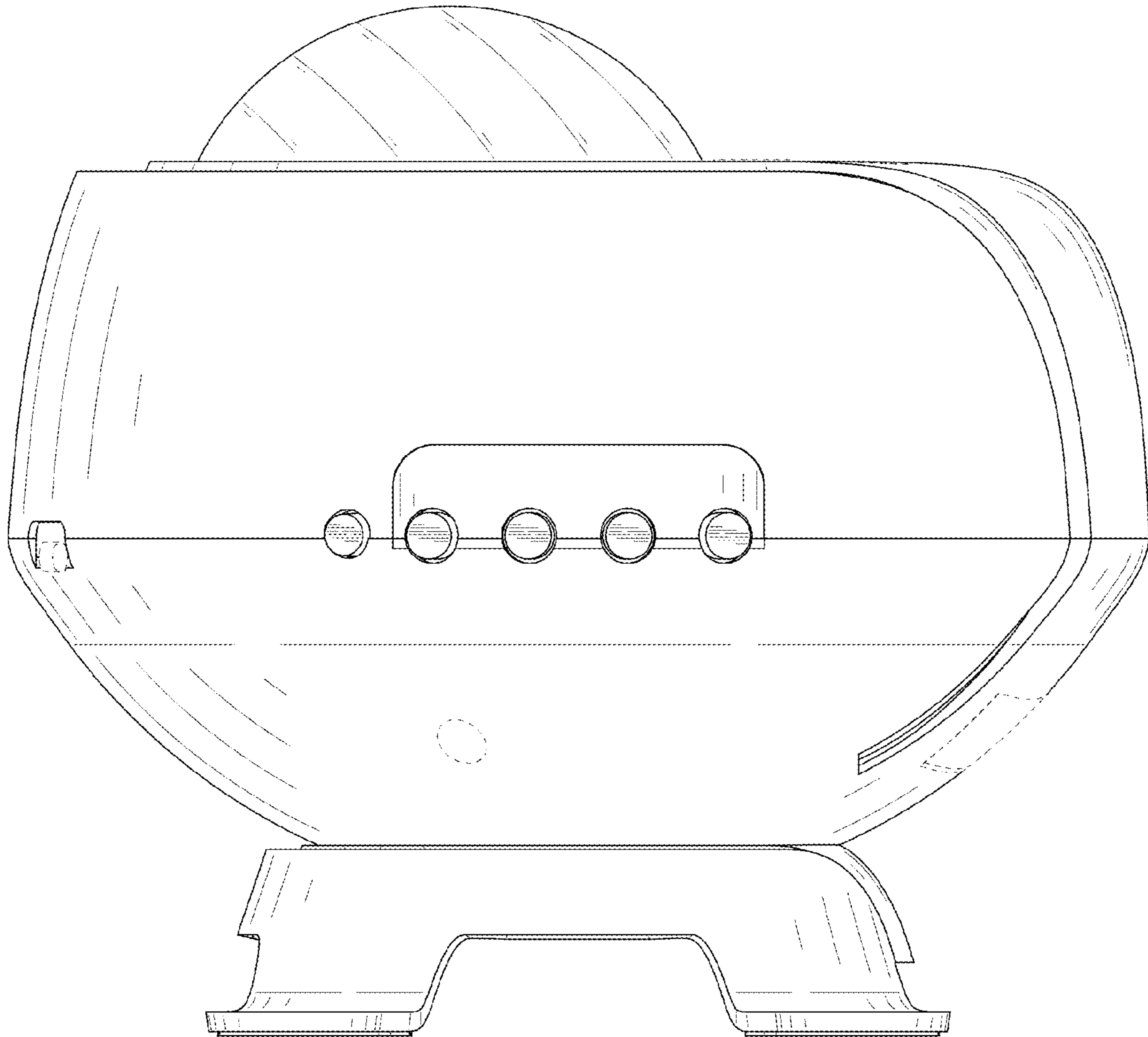


FIG. 5

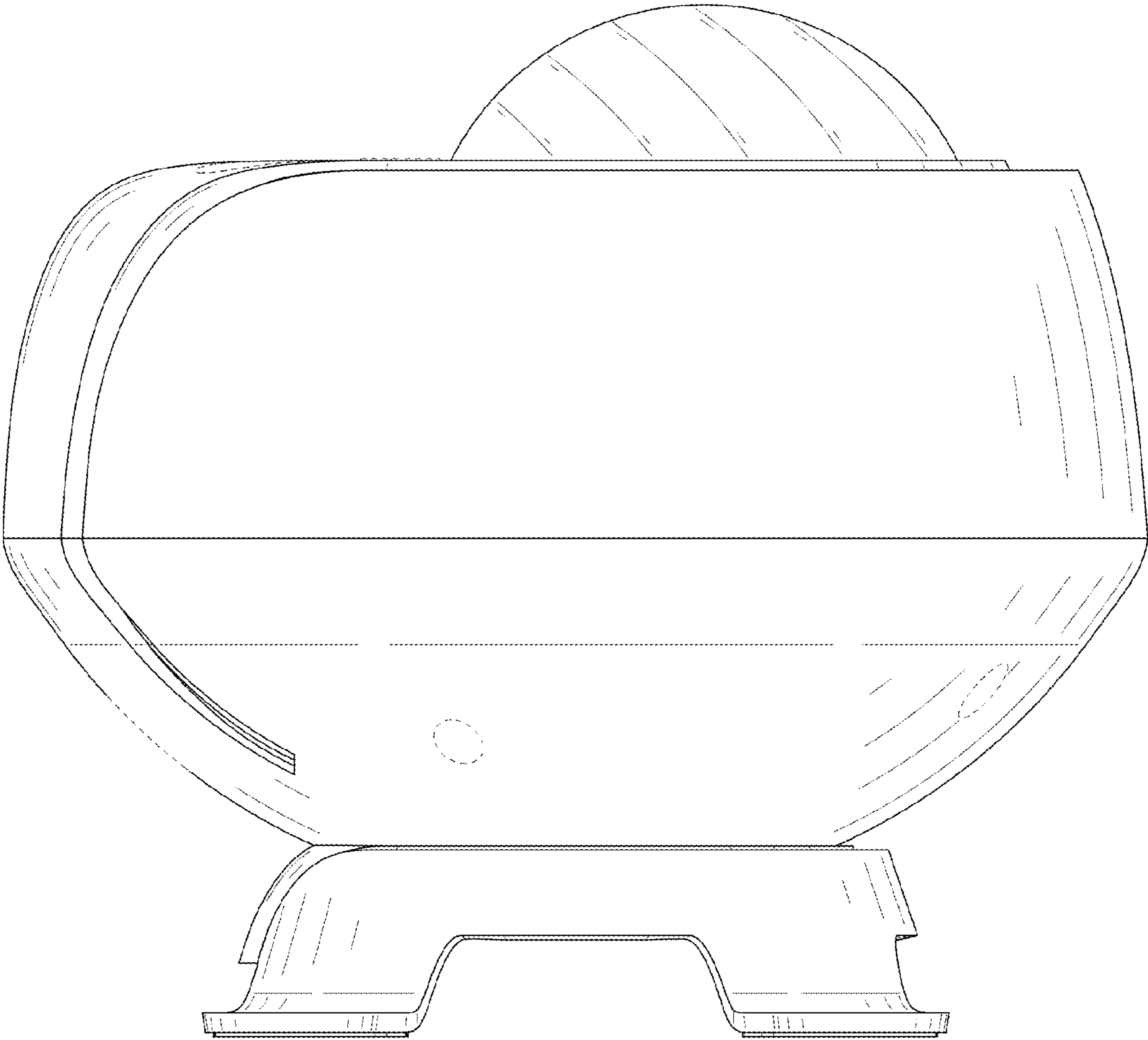


FIG. 6

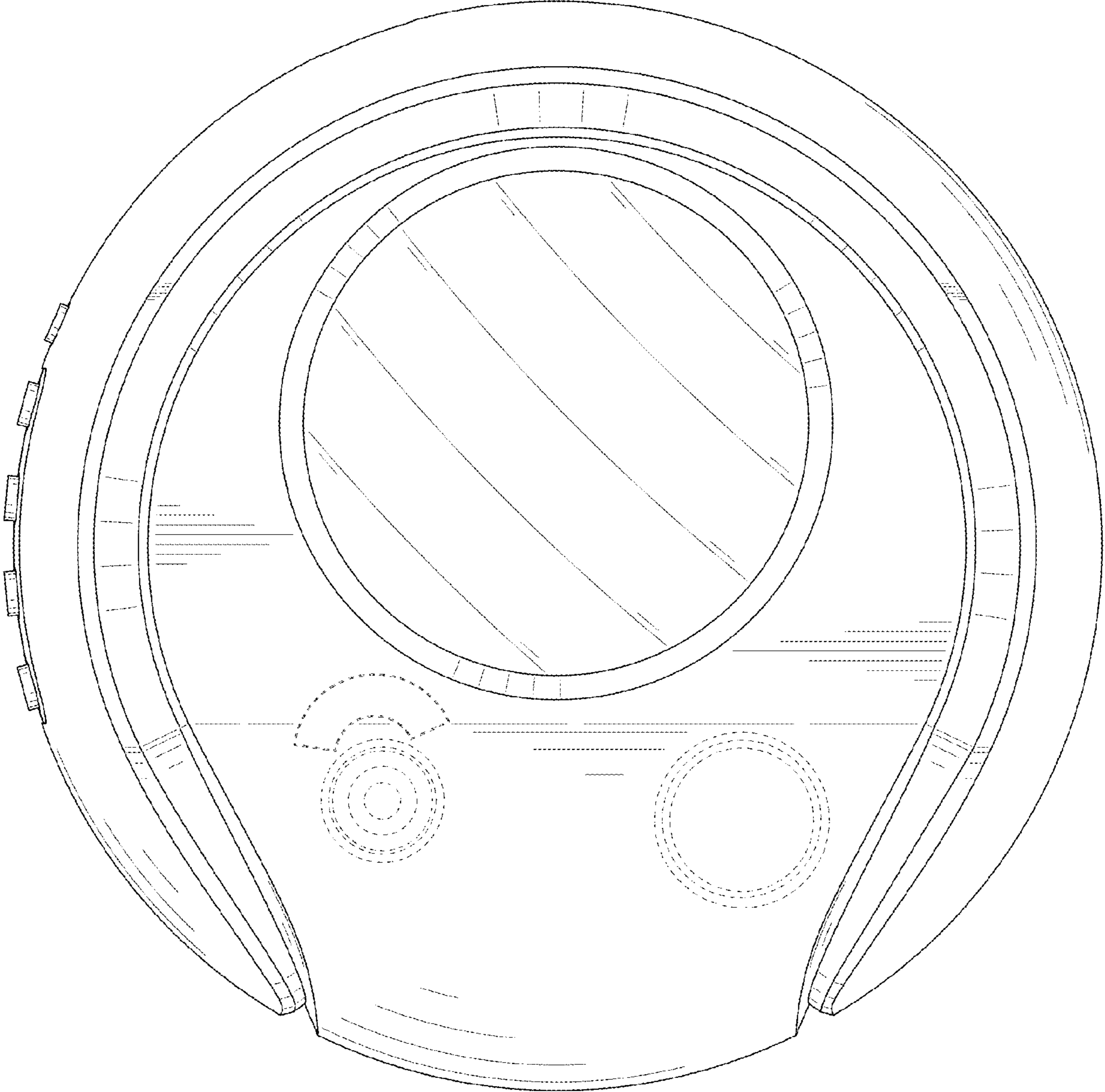


FIG. 7



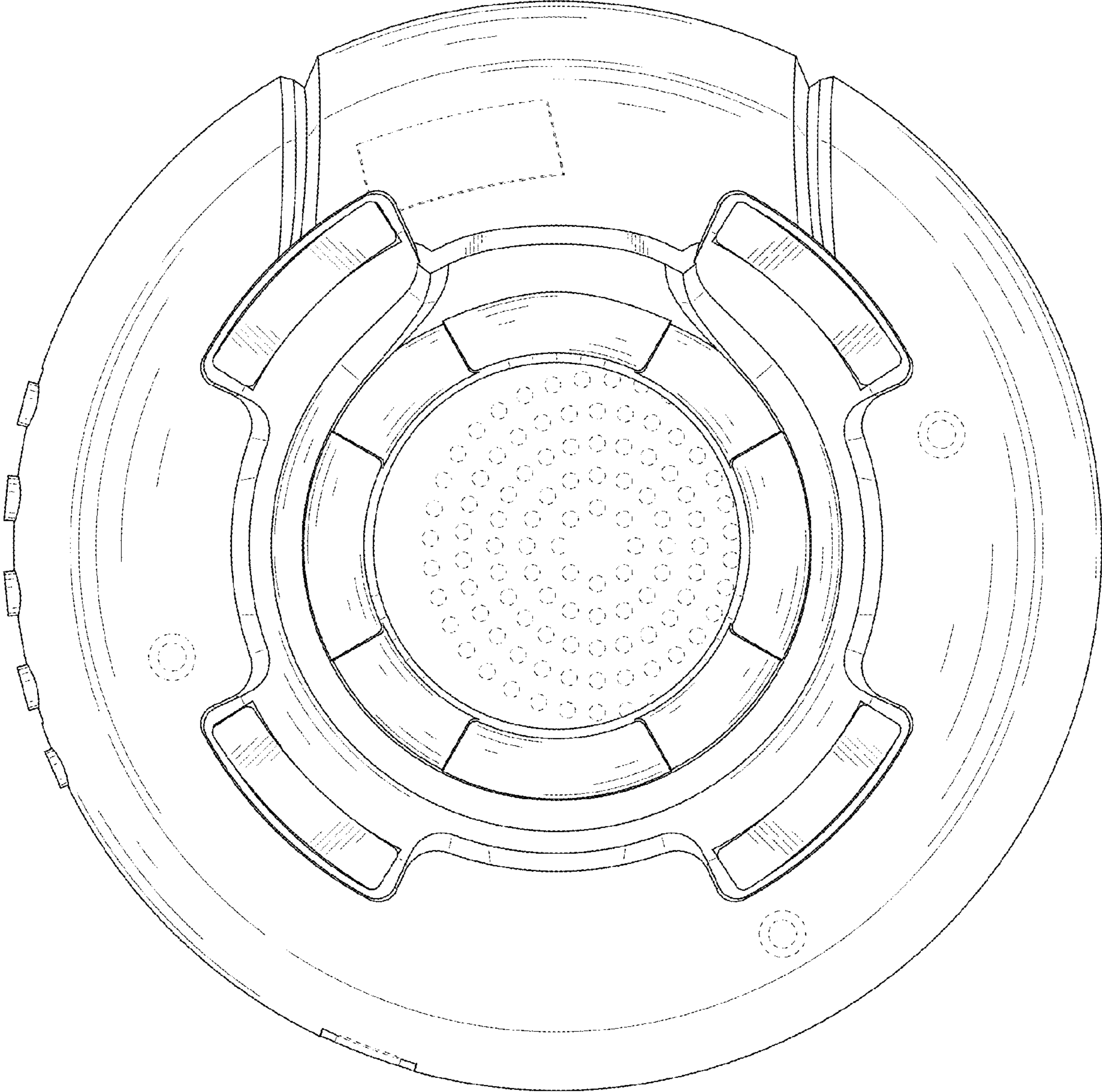


FIG. 8