



US00D959724S

(12) **United States Design Patent**
Hoover et al.

(10) **Patent No.:** **US D959,724 S**

(45) **Date of Patent:** **** Aug. 2, 2022**

(54) **LIGHT FIXTURE**

(71) Applicant: **KOHLER CO.**, Kohler, WI (US)

(72) Inventors: **Erin Leigh Hoover**, New York, NY (US); **Nicholas Robert Rindt**, Grafton, WI (US); **Dennis Lee Snyder**, Sheboygan, WI (US); **Seth M. Stevens**, Los Angeles, CA (US); **Maxwell Wasscher**, Grafton, WI (US); **Luke James Worth**, Sheboygan, WI (US); **Jovello Tijano Gomez, Jr.**, Sheboygan, WI (US)

(73) Assignee: **KOHLER CO.**, Kohler, WI (US)

(**) Term: **15 Years**

(21) Appl. No.: **29/745,644**

(22) Filed: **Aug. 7, 2020**

Related U.S. Application Data

(63) Continuation of application No. 29/744,856, filed on Jul. 31, 2020.

(51) **LOC (13) Cl.** **26-05**

(52) **U.S. Cl.**

USPC **D26/87**

(58) **Field of Classification Search**

USPC D26/72, 80, 81, 82, 84-90, 92, 118
CPC F21S 8/04; F21S 8/043; F21S 8/046; F21S 8/06; F21S 8/061; F21S 8/063; F21S 8/065; F21S 8/066; F21S 8/068

See application file for complete search history.

(56) **References Cited**

U.S. PATENT DOCUMENTS

D49,476 S	8/1916	Lucas	
D51,251 S	9/1917	Braunstein	
D304,768 S	11/1989	Dicola	
D340,780 S *	10/1993	Porter D26/80
5,273,452 A	12/1993	Donato et al.	
D343,245 S	1/1994	Fouke	

D343,250 S	1/1994	Fouke et al.
D344,606 S	2/1994	Fouke et al.
D351,250 S	10/1994	Dolan
D370,545 S	6/1996	Porter

(Continued)

OTHER PUBLICATIONS

Shades of Light, Cut Round Flask Bath Light. First available unknown. Searched Mar. 10, 2022. [https://www.shadesoflight.com/products/cut-round-flask-bath-light-3-light] (Year: 2022).*

Globe Electric, Jayden Vanity Light. First available unknown. Searched Mar. 10, 2022. [https://www.homedepot.com/p/Globe-Electric-Jayden-3-Light-Oil-Rubbed-Bronze-Vanity-Light-with-Frosted-Glass-Shades-and-4-Piece-Bath-Set-51227/300374883?ITC=AUC-47390-23-12140] (Year: 2022).*

(Continued)

Primary Examiner — Samantha Q Lawrence

Assistant Examiner — Melissa Adriane Santos

(74) *Attorney, Agent, or Firm* — Foley & Lardner LLP

(57)

CLAIM

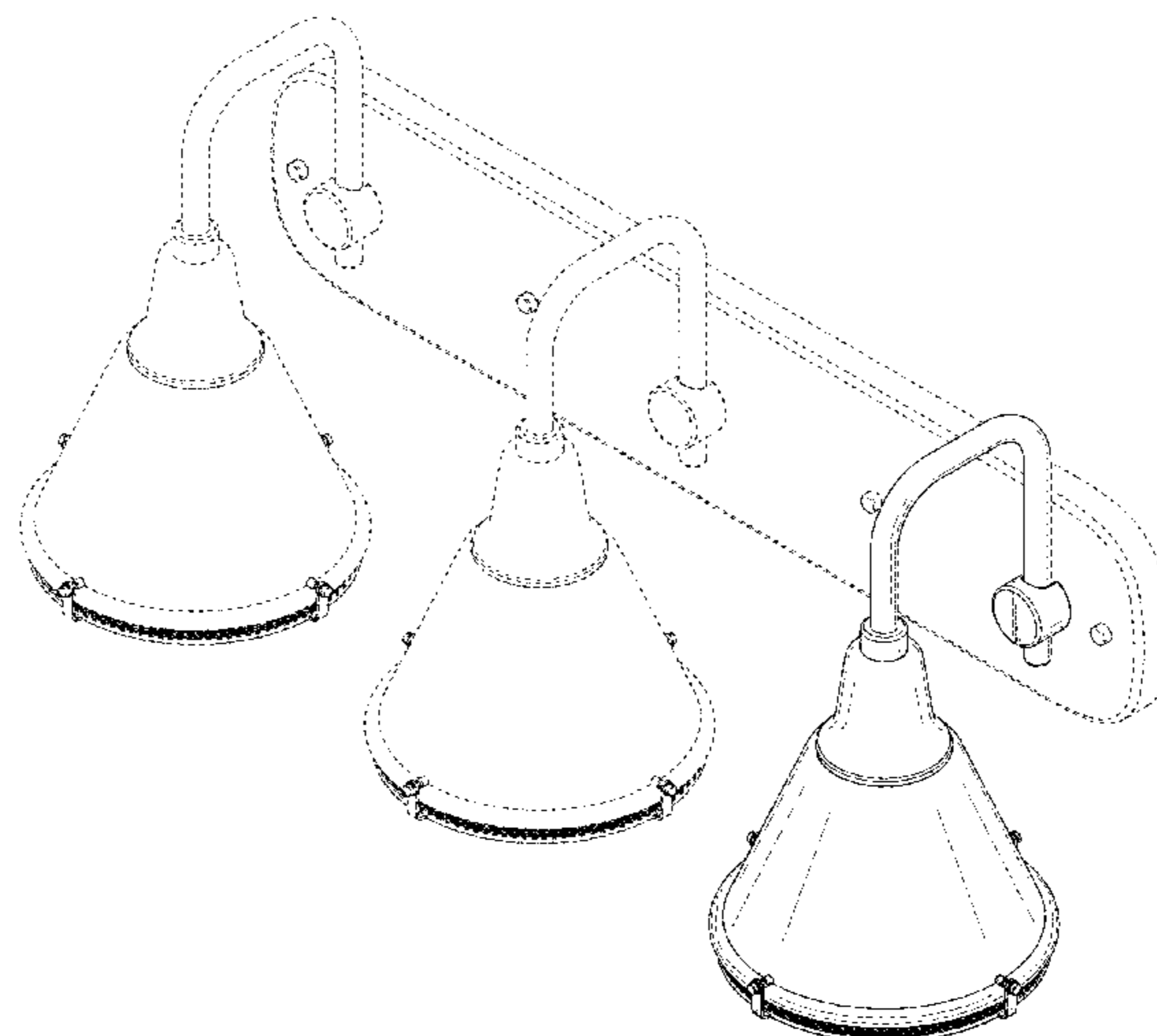
We claim the ornamental design for a light fixture, as shown and described.

DESCRIPTION

FIG. 1 is a perspective view of a light fixture; FIG. 2 is a front view of the claimed design shown in FIG. 1; FIG. 3 is a rear view of the claimed design shown in FIG. 1; FIG. 4 is a side view of the claimed design shown in FIG. 1; FIG. 5 is another side view of the claimed design shown in FIG. 1; FIG. 6 is a top view of the claimed design shown in FIG. 1; and, FIG. 7 is a bottom view of the claimed design shown in FIG. 1.

The broken lines shown in FIGS. 1-7 illustrate portions of the light fixture that form no part of the claimed design.

1 Claim, 6 Drawing Sheets



(56)

References Cited

U.S. PATENT DOCUMENTS

D391,662	S *	3/1998	Miranda	D26/87
D409,788	S	5/1999	Dolan		
D418,625	S	1/2000	Dolan		
D420,163	S	2/2000	Fouke		
D432,707	S	10/2000	Brunner et al.		
D450,875	S *	11/2001	Yang	D26/87
D464,164	S	10/2002	Thompson		
D536,471	S *	2/2007	Matons	D26/92
D536,472	S *	2/2007	Tsai	D26/92
D575,901	S *	8/2008	Ricereto	D26/138
D576,761	S	9/2008	Porter		
D581,087	S	11/2008	Sabernig		
D616,599	S *	5/2010	Gilbert	D26/154
D627,920	S *	11/2010	Hanna	D26/134
D749,769	S	2/2016	Krogman et al.		
D770,667	S	11/2016	Orozco		
D775,757	S	1/2017	Anastassiades		
D790,106	S	6/2017	Lee et al.		
D816,881	S	5/2018	Qiao		
D821,559	S	6/2018	Hidalgo		
D879,940	S	3/2020	Orozco		
D882,149	S *	4/2020	Lin	D26/86
D913,565	S *	3/2021	Yu	D26/87
D916,352	S *	4/2021	Zeng	D26/86
2011/0199775	A1 *	8/2011	Bassani	F21V 23/06 362/405

OTHER PUBLICATIONS

SRJJRS, Vanity Light Fixture. First available Dec. 3, 2021. Searched Mar. 10, 2022. [https://www.amazon.com/SRJRS-Fixtures-3-Light-Bathroom-Sconces/dp/B09MZ84YSC?ref_=ast_sto_dp&th=1&psc=1] (Year: 2021).*

Kichler, Hatteras Bay Pendant. First available unknown. Searched Mar. 11, 2022. [https://lampsplus.com/products/kichler-hatteras-bay-23-and-three-quarter-inch-wide-olde-bronze-pendant_6m013.html] (Year: 2022).

Rejuvenation, Carson Pendant with cage. First available unknown. Searched Mar. 11, 2022. [<https://www.rejuvenation.com/catalog/collections/carson-12-plug-in-pendant-with-cage>] (Year: 2022).

Rejuvenation, Vintage Holophane Pendant. First available unknown. Searched Mar. 11, 2022. [<https://www.rejuvenation.com/catalog/products/r101934>] (Year: 2022).

Shades of Light, Gooseneck Warehouse Ceiling Light. First available unknown. Searched Mar. 11, 2022. [<https://www.shadesoflight.com/products/gooseneck-warehouse-convertible-ceiling-light>] (Year: 2022).

The Urban Electric Co., Lundy Flushmount. First available unknown. Searched Mar. 11, 2022. [<https://www.urbanelectric.com/lundy-flushmount.html>] (Year: 2022).

* cited by examiner

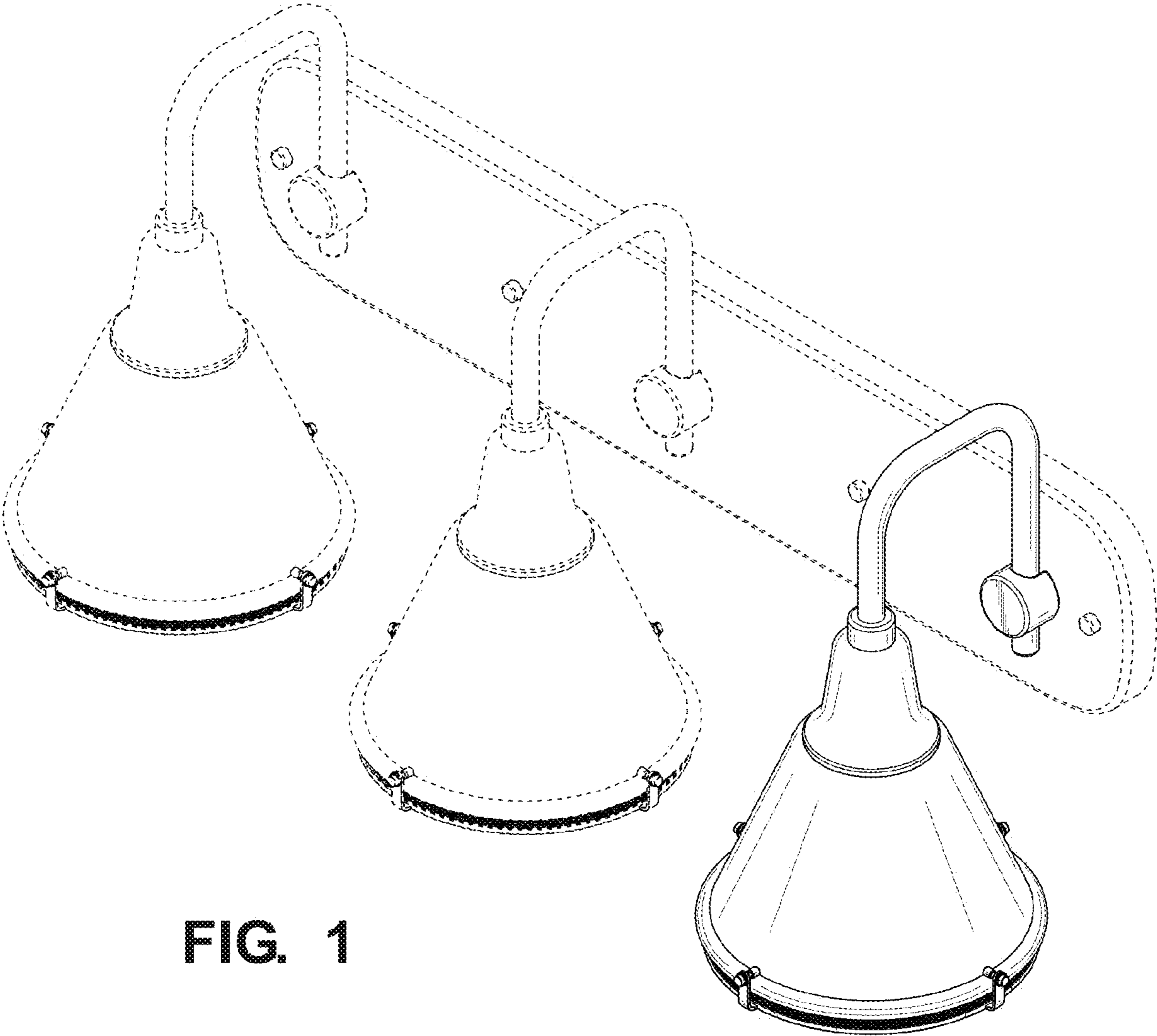


FIG. 1

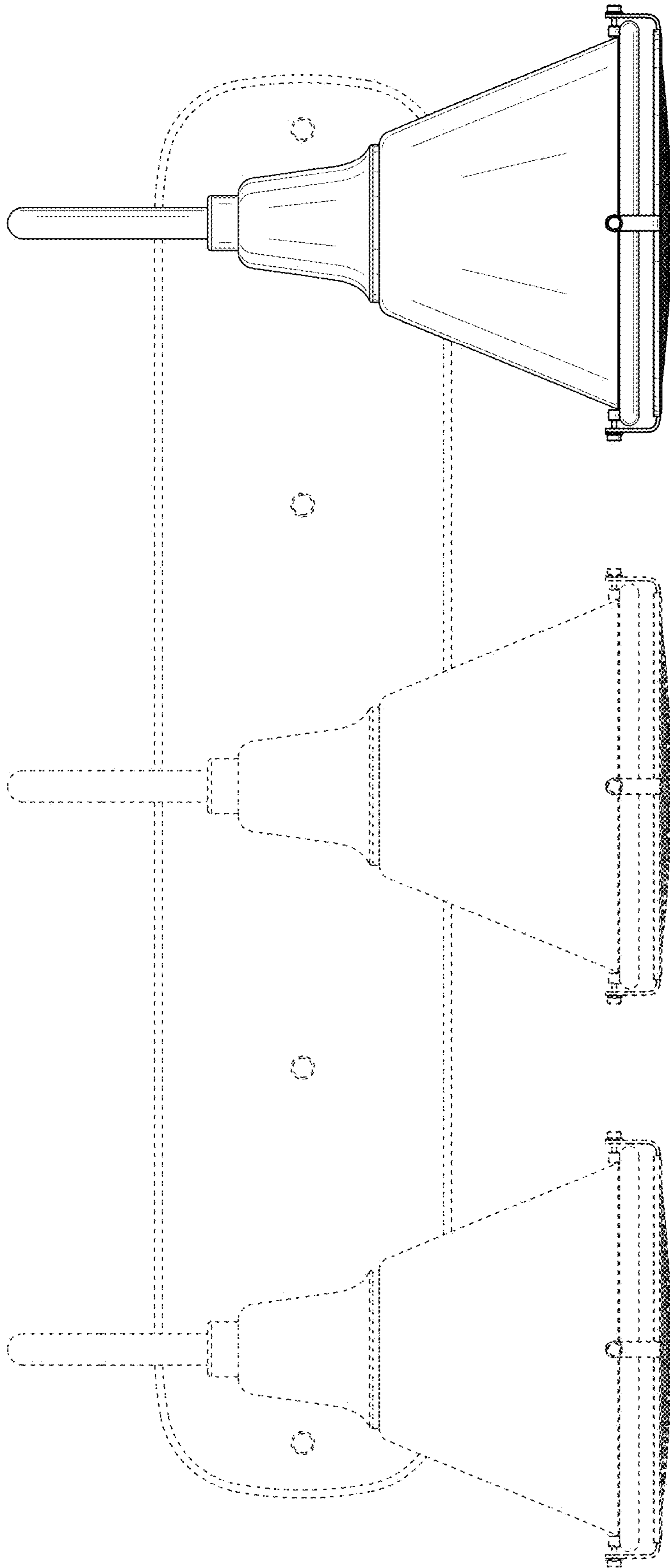


FIG. 2

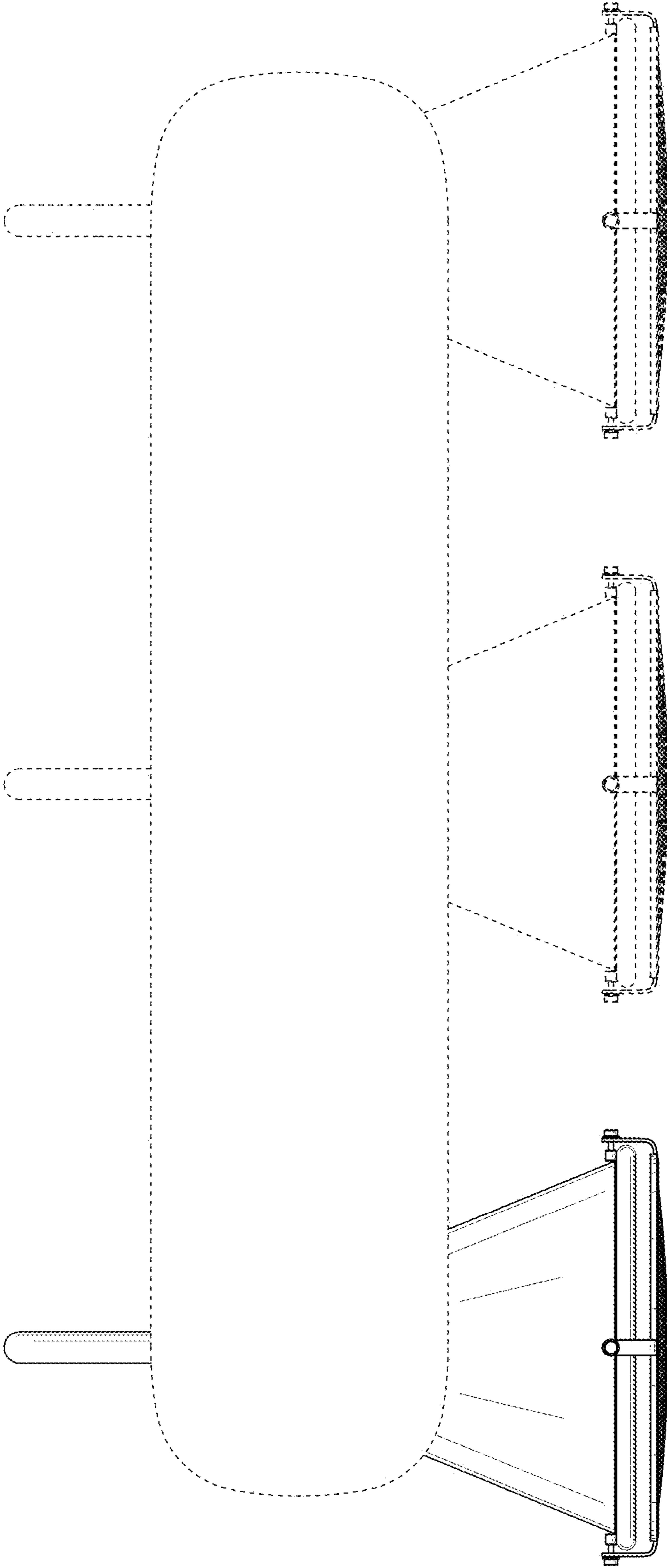


FIG. 3

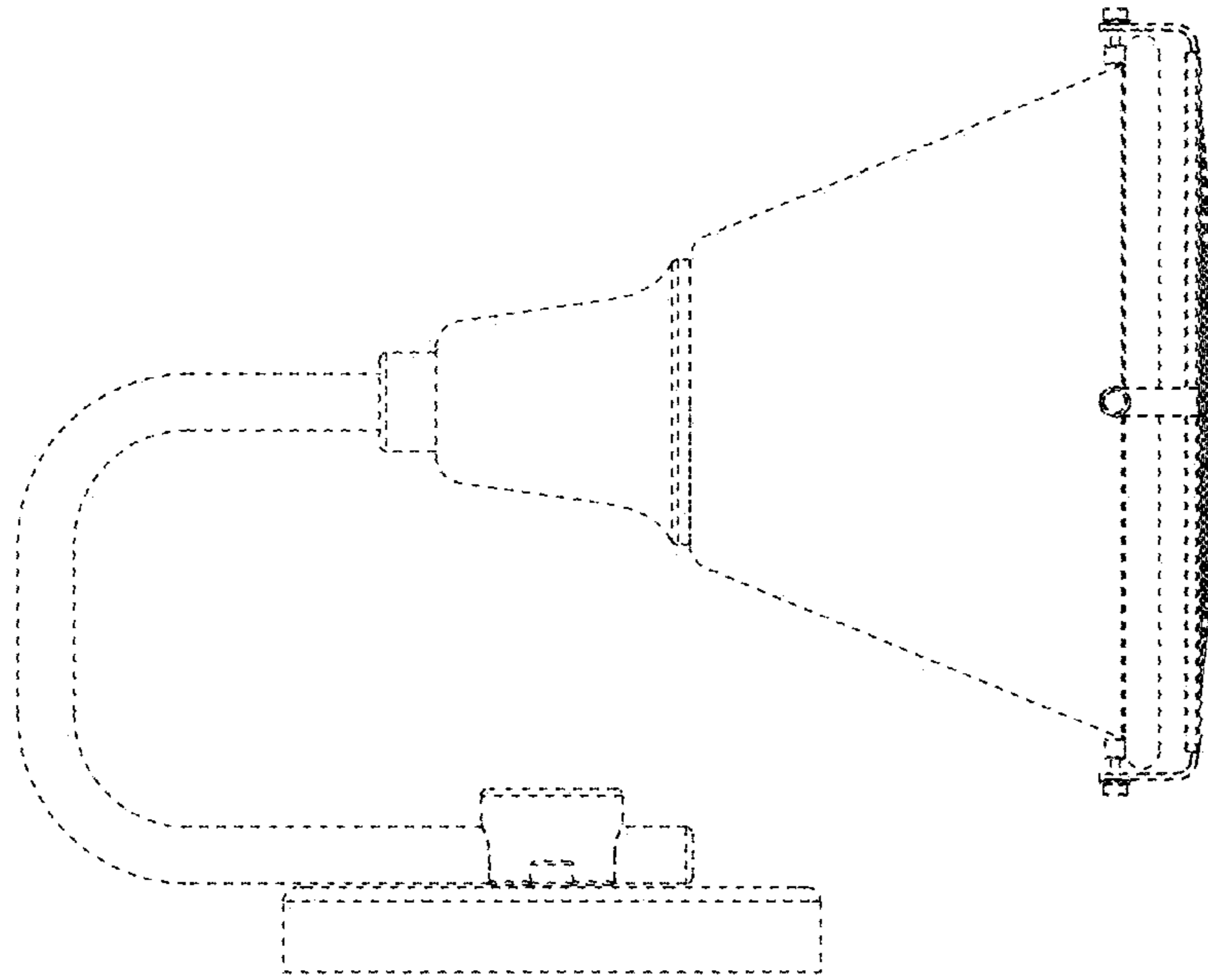


FIG. 5

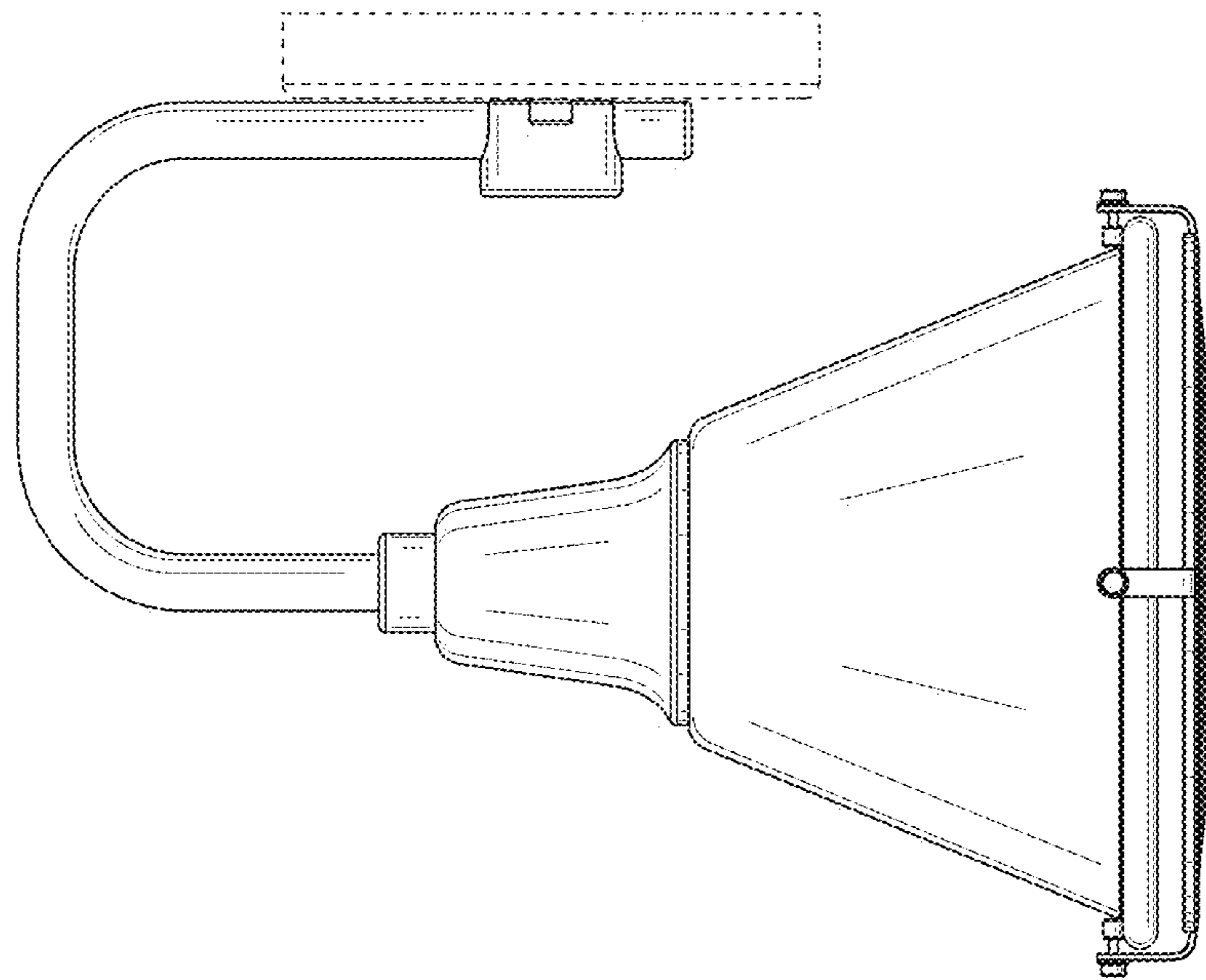


FIG. 4

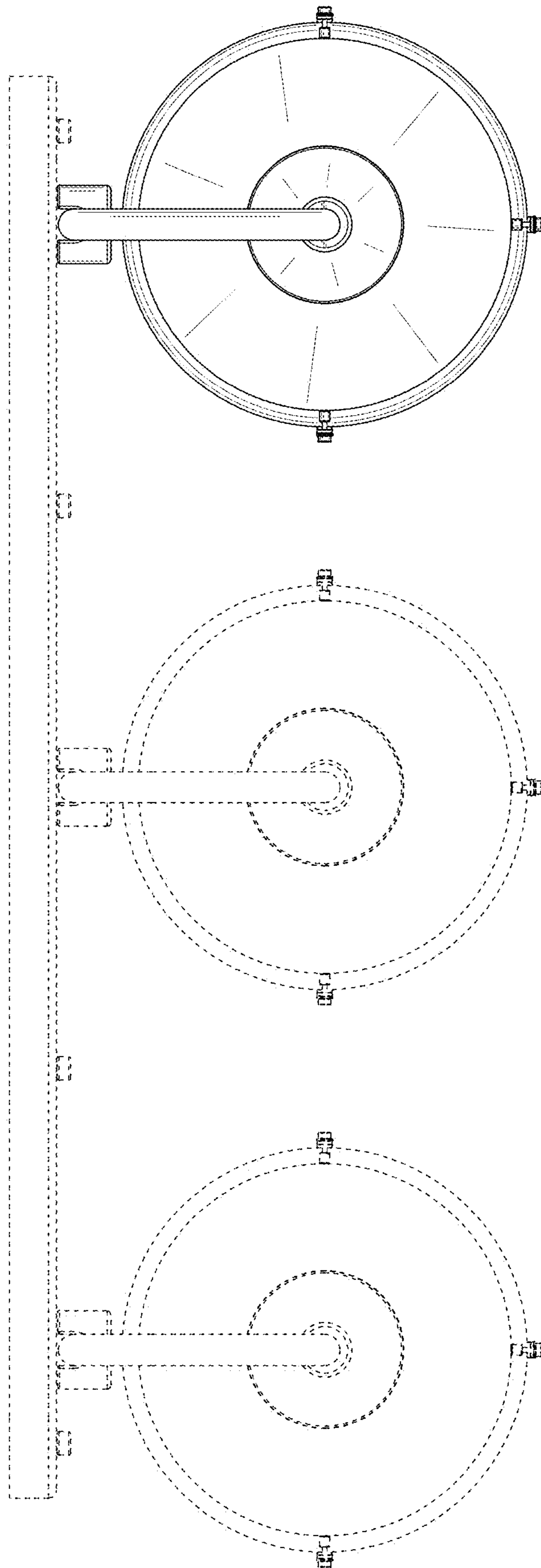


FIG. 6

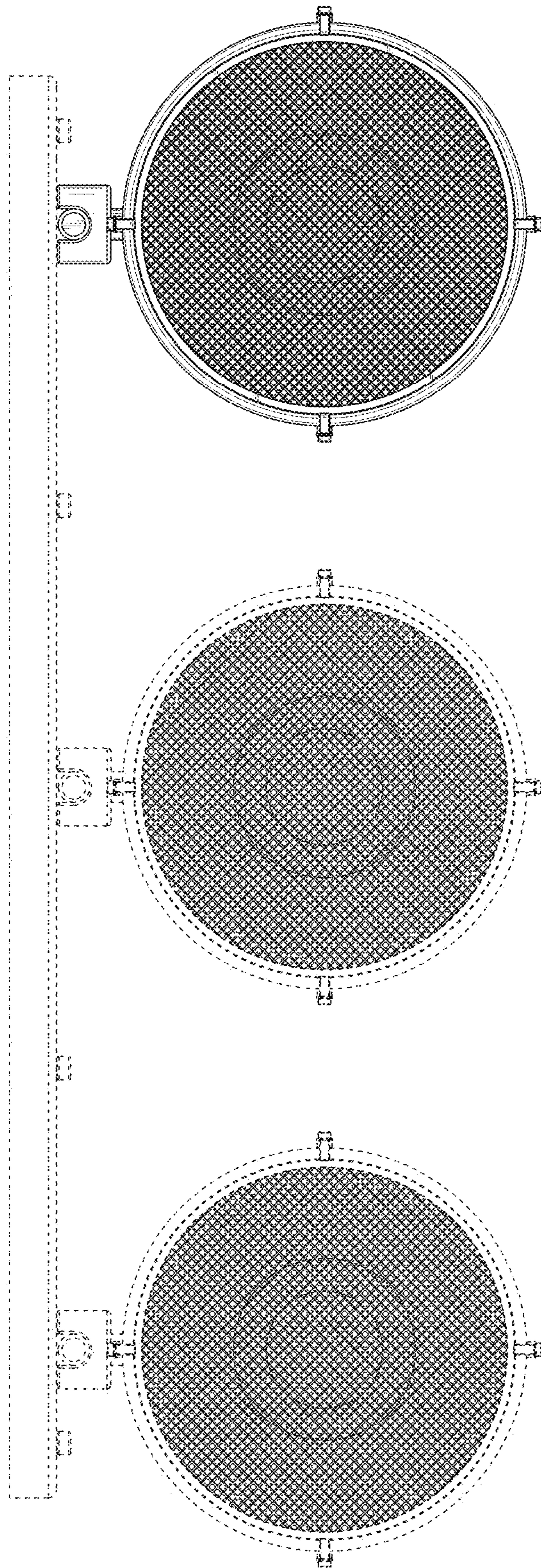


FIG. 7