



US00D959723S

(12) **United States Design Patent** (10) **Patent No.:** **US D959,723 S**  
**Farzan** (45) **Date of Patent:** **\*\* Aug. 2, 2022**

(54) **RECESSED LIGHTING FIXTURE WITH A SLIDING ADJUSTMENT FEATURE**

*Primary Examiner* — Angela J Lee  
(74) *Attorney, Agent, or Firm* — K&L Gates LLP

(71) Applicant: **Nora Lighting, Inc.**, Commerce, CA (US)

(57) **CLAIM**

The ornamental design for a recessed lighting fixture with a sliding adjustment feature, as shown and described herein.

(72) Inventor: **Neda Farzan**, Commerce, CA (US)

(73) Assignee: **Nora Lighting, Inc.**, Commerce, CA (US)

**DESCRIPTION**

(\*\*) Term: **15 Years**

(21) Appl. No.: **29/779,422**

(22) Filed: **Apr. 19, 2021**

**Related U.S. Application Data**

(62) Division of application No. 29/661,371, filed on Aug. 27, 2018, now Pat. No. Des. 917,090.

(51) **LOC (13) Cl.** ..... **26-05**

(52) **U.S. Cl.**  
USPC ..... **D26/74**

(58) **Field of Classification Search**

USPC ..... D26/74, 72, 75, 76, 77, 78, 85, 88, 89, D26/118, 138, 141; 362/364, 365, 373, 362/145, 146, 147, 148, 150, 153, 153.1, 362/294, 296.01, 296.07, 296.08

CPC ..... F21V 29/2262; F21V 7/06; F21V 21/044; F21V 21/047; F21V 29/2212; F21V 29/2225; F21V 29/2256; F21V 29/225; (Continued)

FIG. 1 illustrates a side view of a recessed lighting fixture with a sliding adjustment feature, according to a first embodiment.

FIG. 2 illustrates a front view of the recessed lighting fixture, according to the first embodiment.

FIG. 3 illustrates a top-down plan view of the recessed lighting fixture, according to the first embodiment.

FIG. 4 illustrates a bottom-up view of the recessed lighting fixture, according to the first embodiment.

FIG. 5 illustrates a top-perspective view of the recessed lighting fixture, according to the first embodiment.

FIG. 6 illustrates a bottom-perspective view of the recessed lighting fixture, according to the first embodiment.

FIG. 7 illustrates a side view of a recessed lighting fixture with a sliding adjustment feature, according to a second embodiment.

FIG. 8 illustrates a front view of the recessed lighting fixture, according to the second embodiment.

FIG. 9 illustrates a top-down plan view of the recessed lighting fixture, according to the second embodiment.

FIG. 10 illustrates a bottom-up view of the recessed lighting fixture, according to the second embodiment.

FIG. 11 illustrates a top-perspective view of the recessed lighting fixture, according to the second embodiment; and,

FIG. 12 illustrates a bottom-perspective view of the recessed lighting fixture, according to the second embodiment.

Any broken lines in the drawings are for illustrative purposes only and form no part of the claimed design. Additionally, the recessed lighting fixture with a sliding adjustment feature is not limited to the scale shown herein.

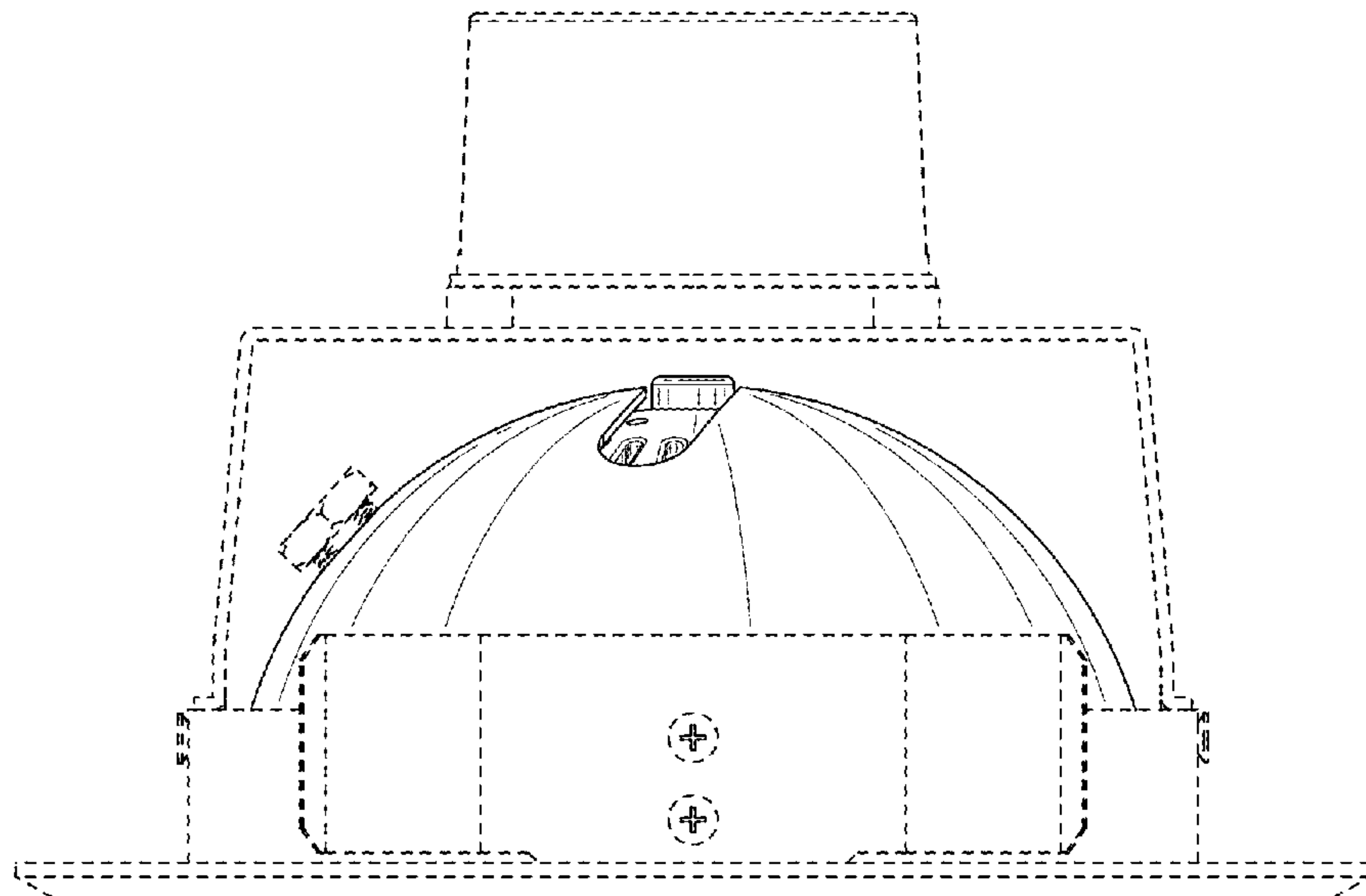
(56) **References Cited**

**U.S. PATENT DOCUMENTS**

D561,374 S \* 2/2008 Hartmann, Jr. .... D26/74  
D562,489 S \* 2/2008 Rashidi ..... D26/118  
D562,490 S \* 2/2008 Rashidi ..... D26/118

(Continued)

**1 Claim, 12 Drawing Sheets**



(58) **Field of Classification Search**

CPC ... F21V 29/2268; F21Y 2111/002; F21S 8/02;  
F21S 8/026

See application file for complete search history.

(56) **References Cited**

U.S. PATENT DOCUMENTS

D609,840 S *	2/2010	Tang .....	D26/74
D622,434 S *	8/2010	Ward .....	F21V 21/02 D26/74
D665,117 S	8/2012	Yoshida	
D668,372 S *	10/2012	Renshaw .....	D26/74
D701,633 S *	3/2014	Snell .....	D26/74
D704,371 S *	5/2014	Van De Ven .....	D26/74
D723,728 S	3/2015	Jeswani	
D726,360 S	4/2015	Messiaen	
D731,689 S	6/2015	Bernard	
D766,486 S *	9/2016	Boomgaarden .....	D26/74
D779,099 S	2/2017	Beck	
D786,473 S	5/2017	Dean	
D848,048 S *	5/2019	Baumeister .....	D26/74
D917,090 S *	4/2021	Farzan .....	D26/74
2013/0120963 A1 *	5/2013	Holland .....	F21V 7/0066 362/84
2018/0352313 A1 *	12/2018	Hsu .....	F21V 17/18

\* cited by examiner

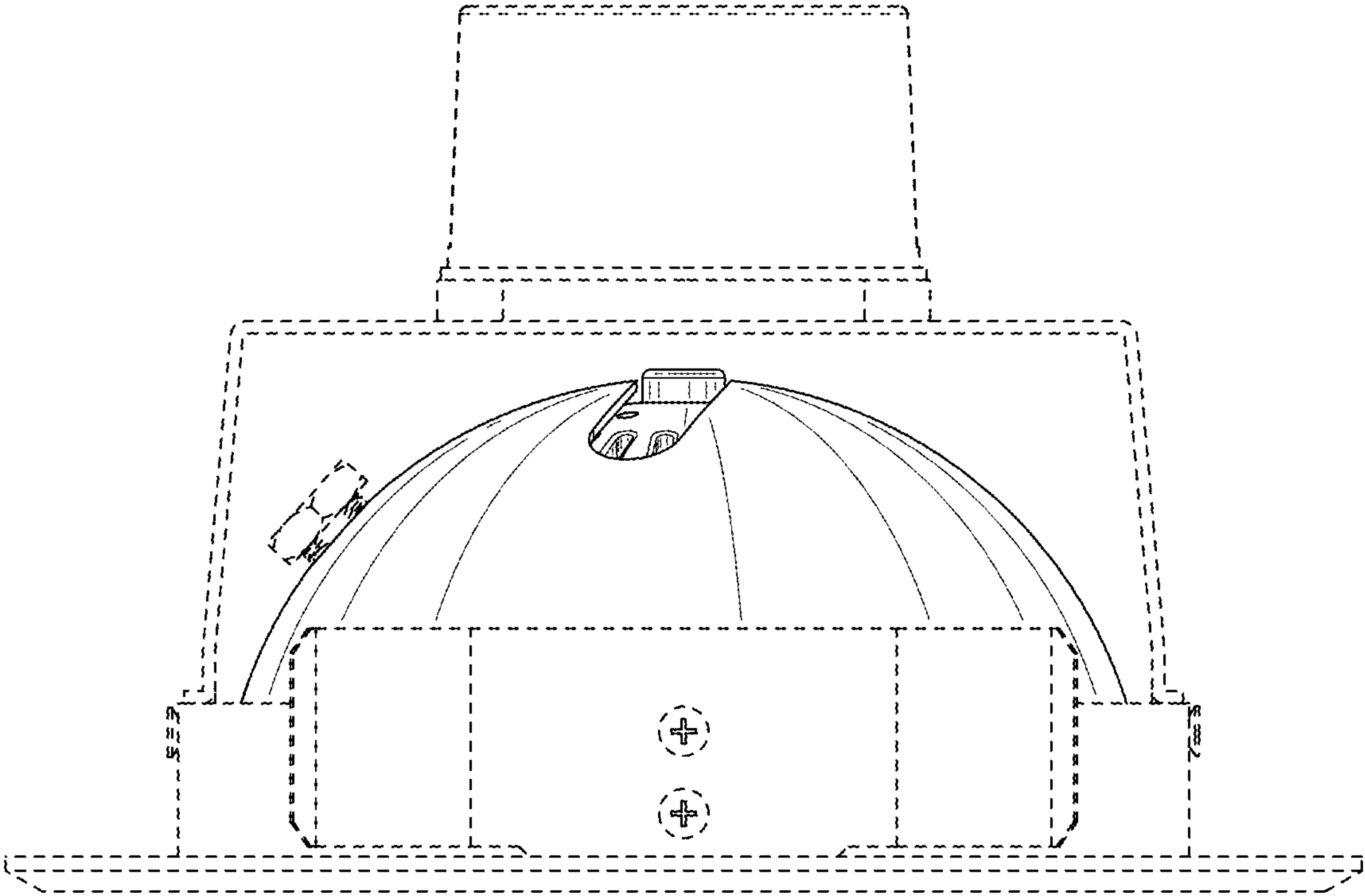


FIG. 1

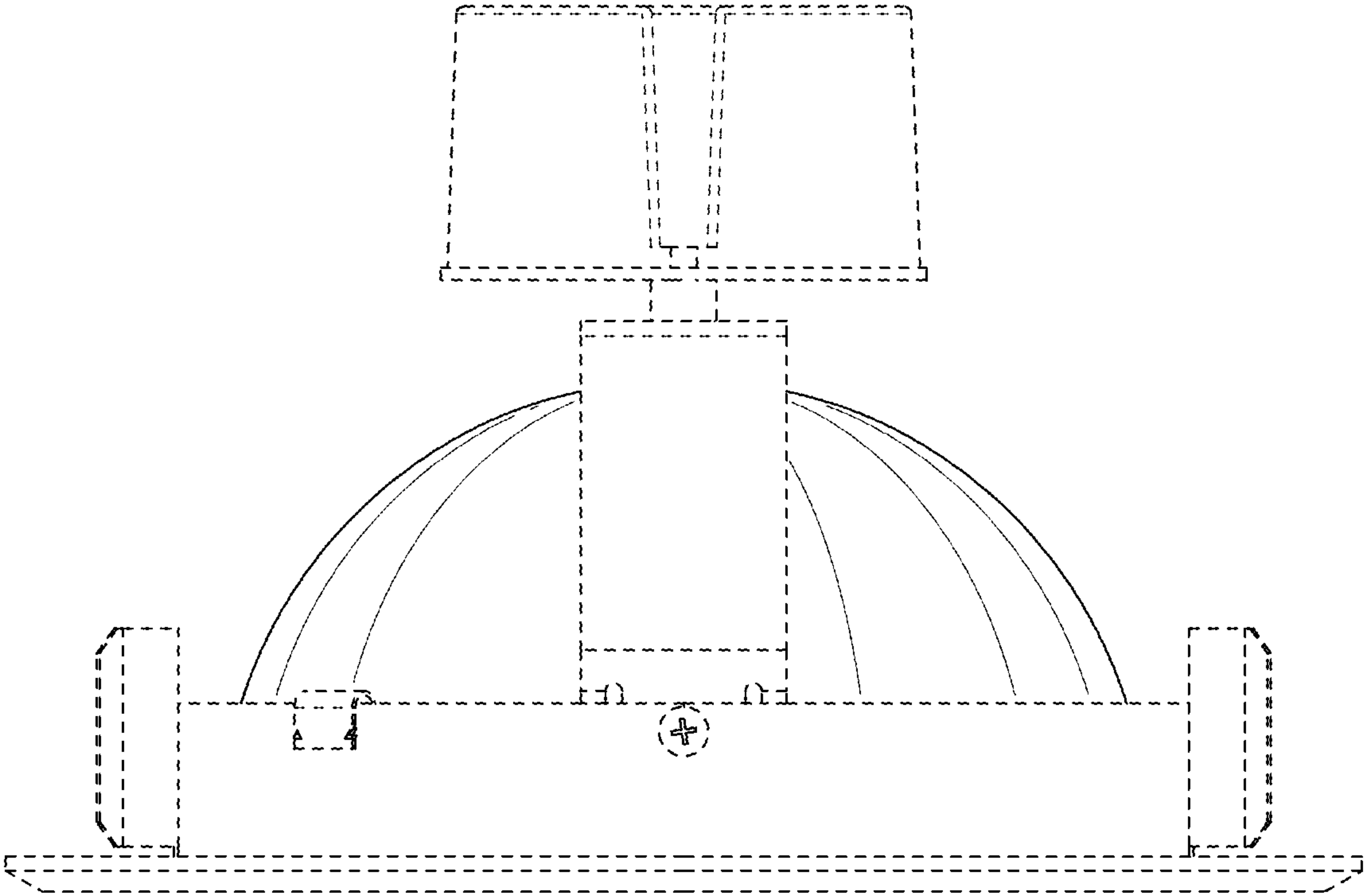


FIG. 2

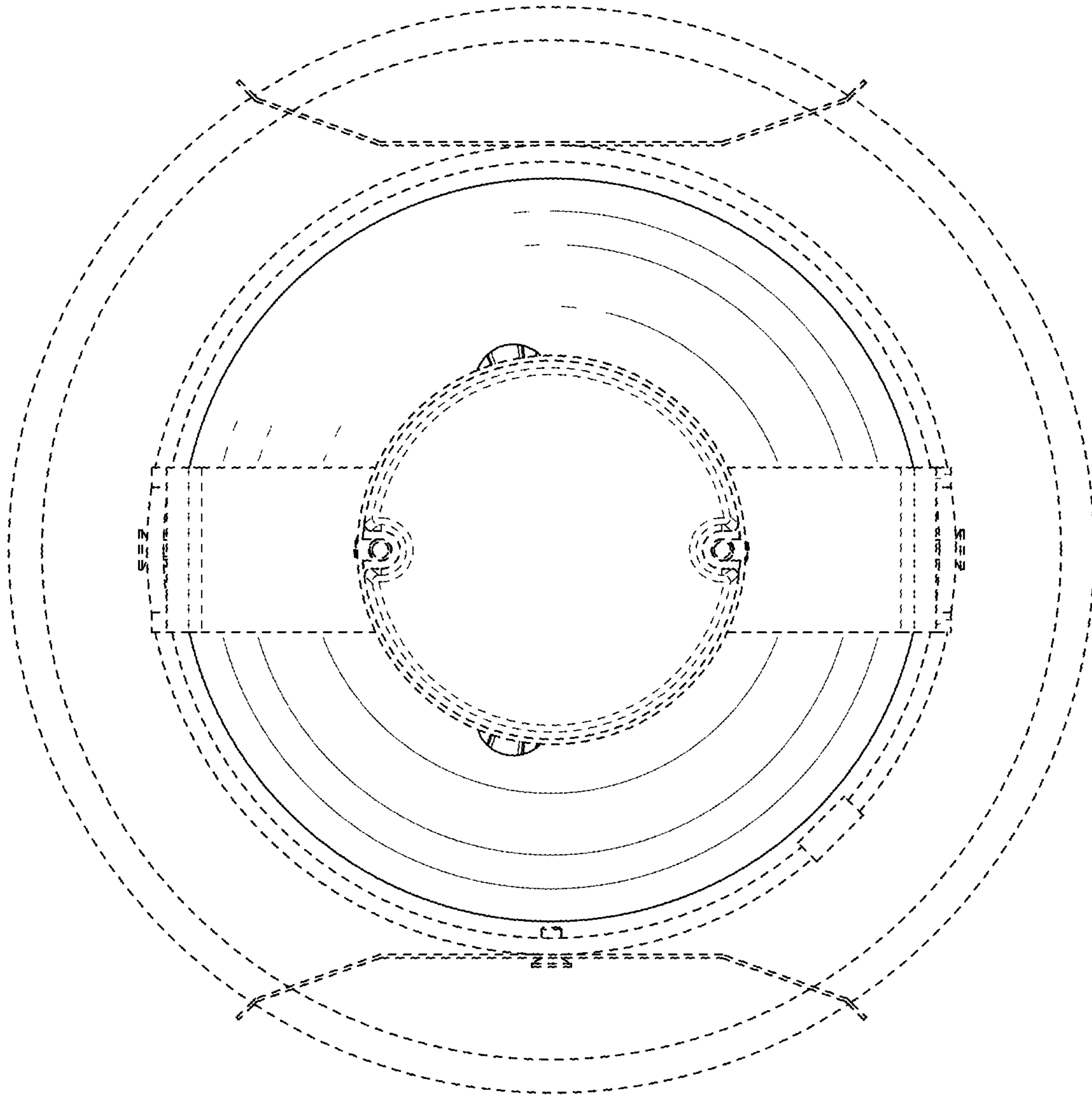


FIG. 3



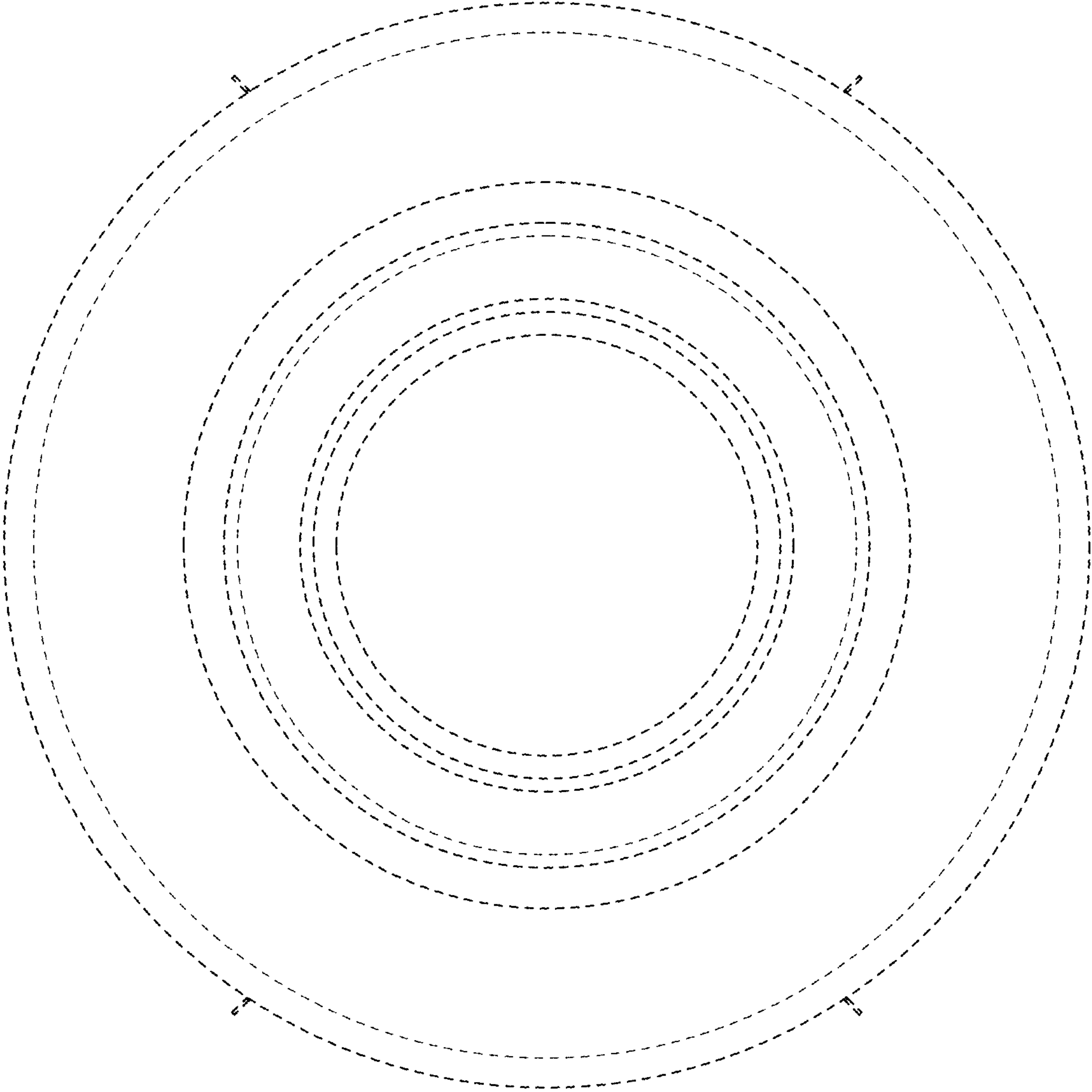


FIG. 4

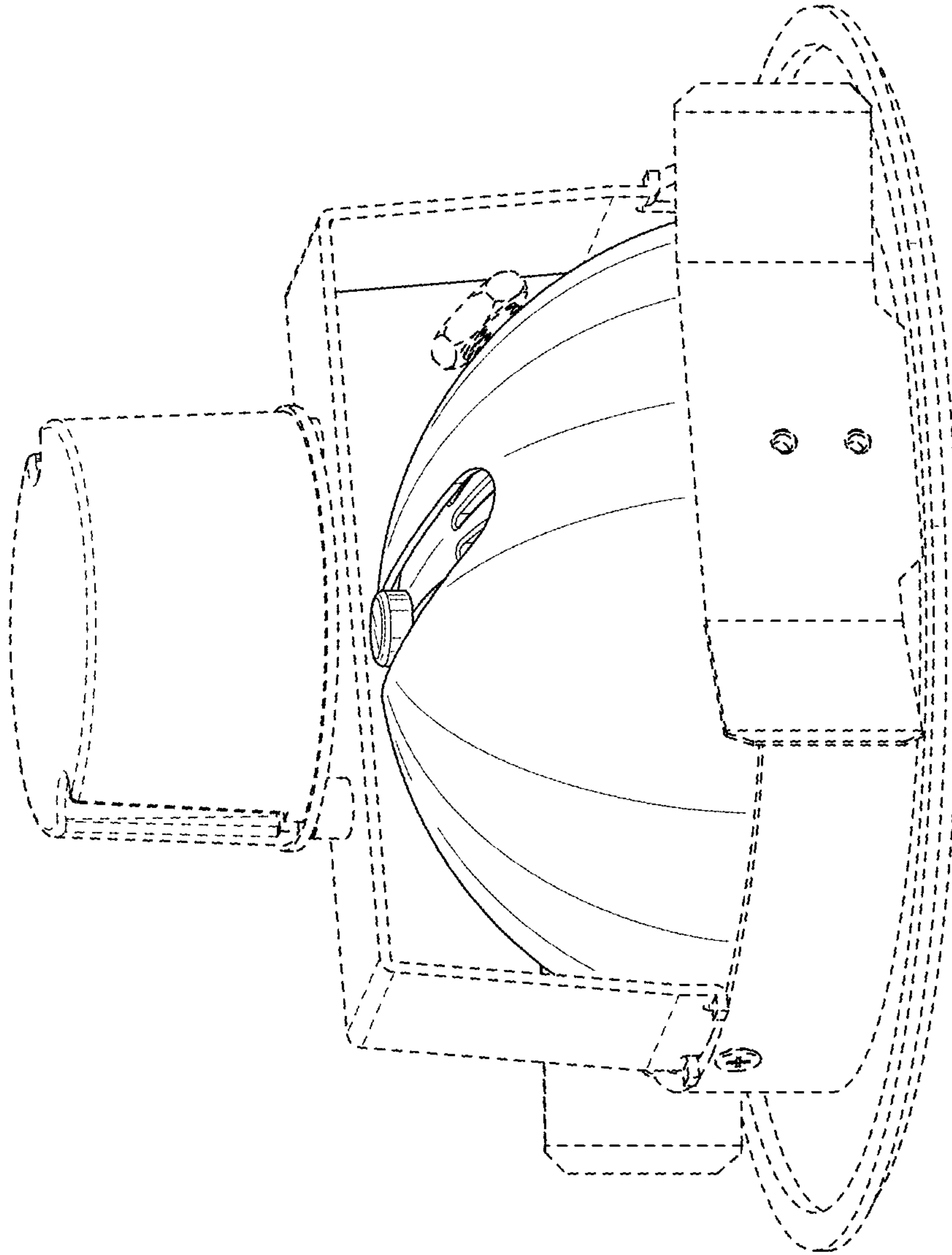


FIG. 5

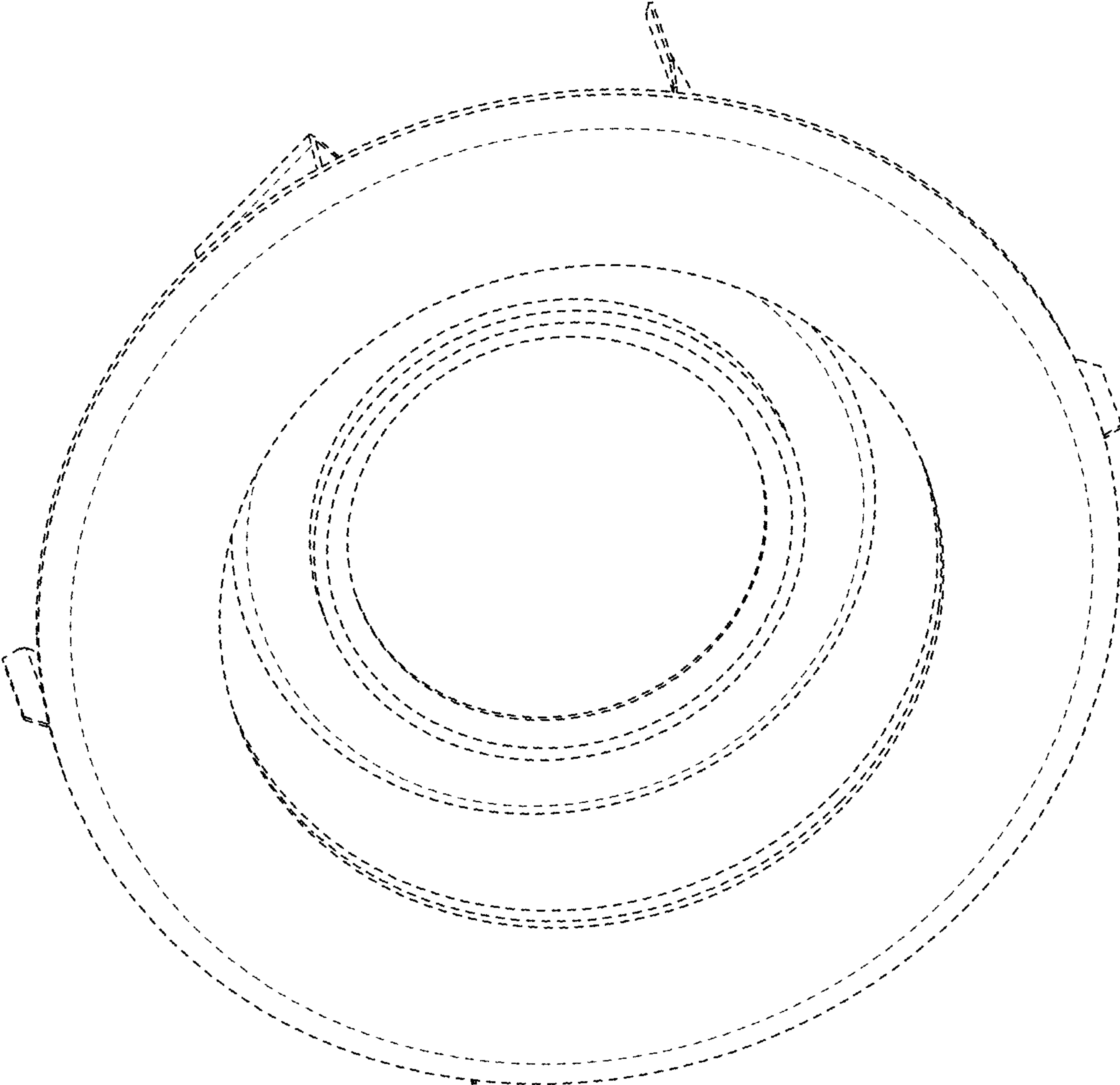


FIG. 6



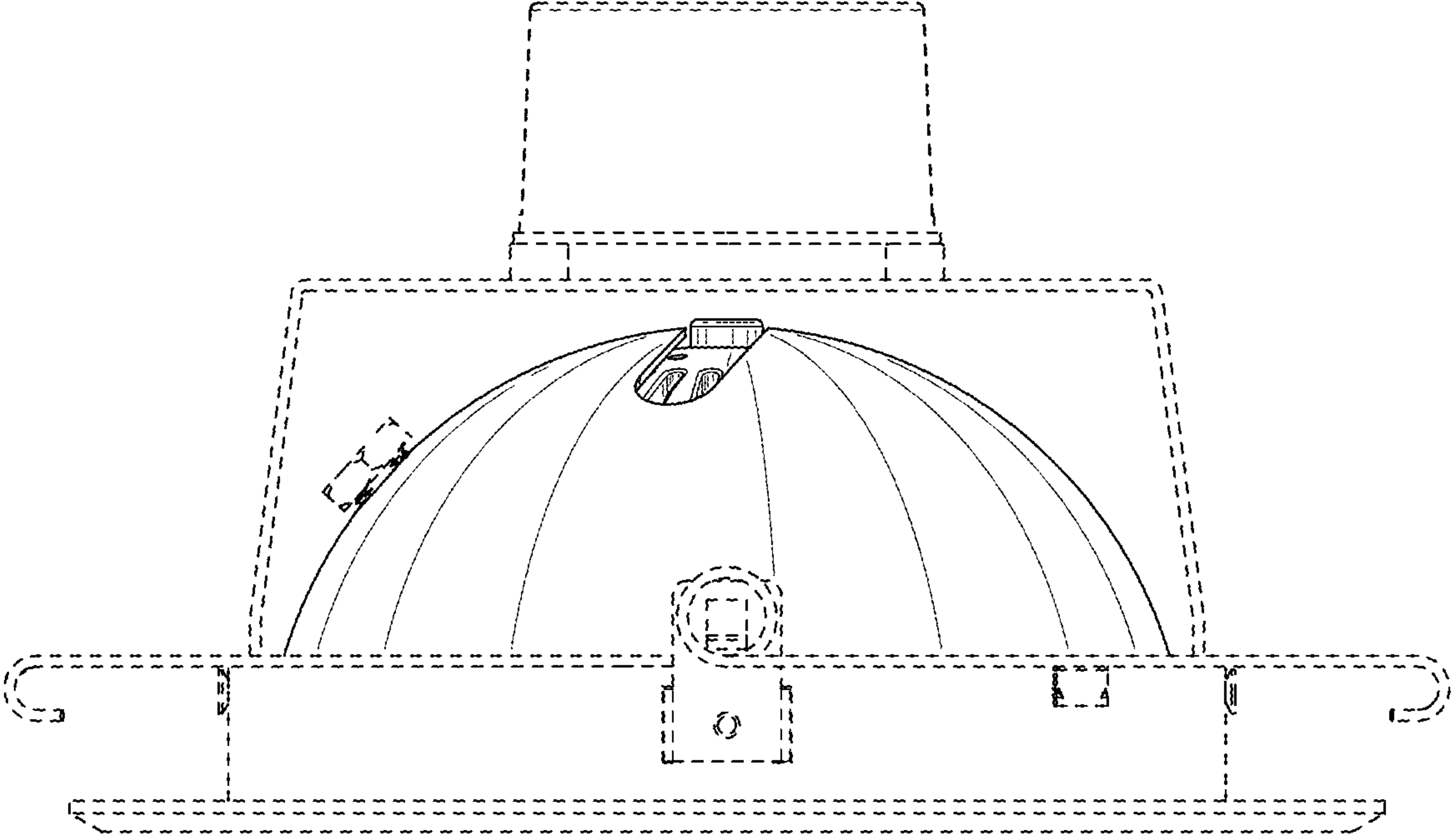


FIG. 7

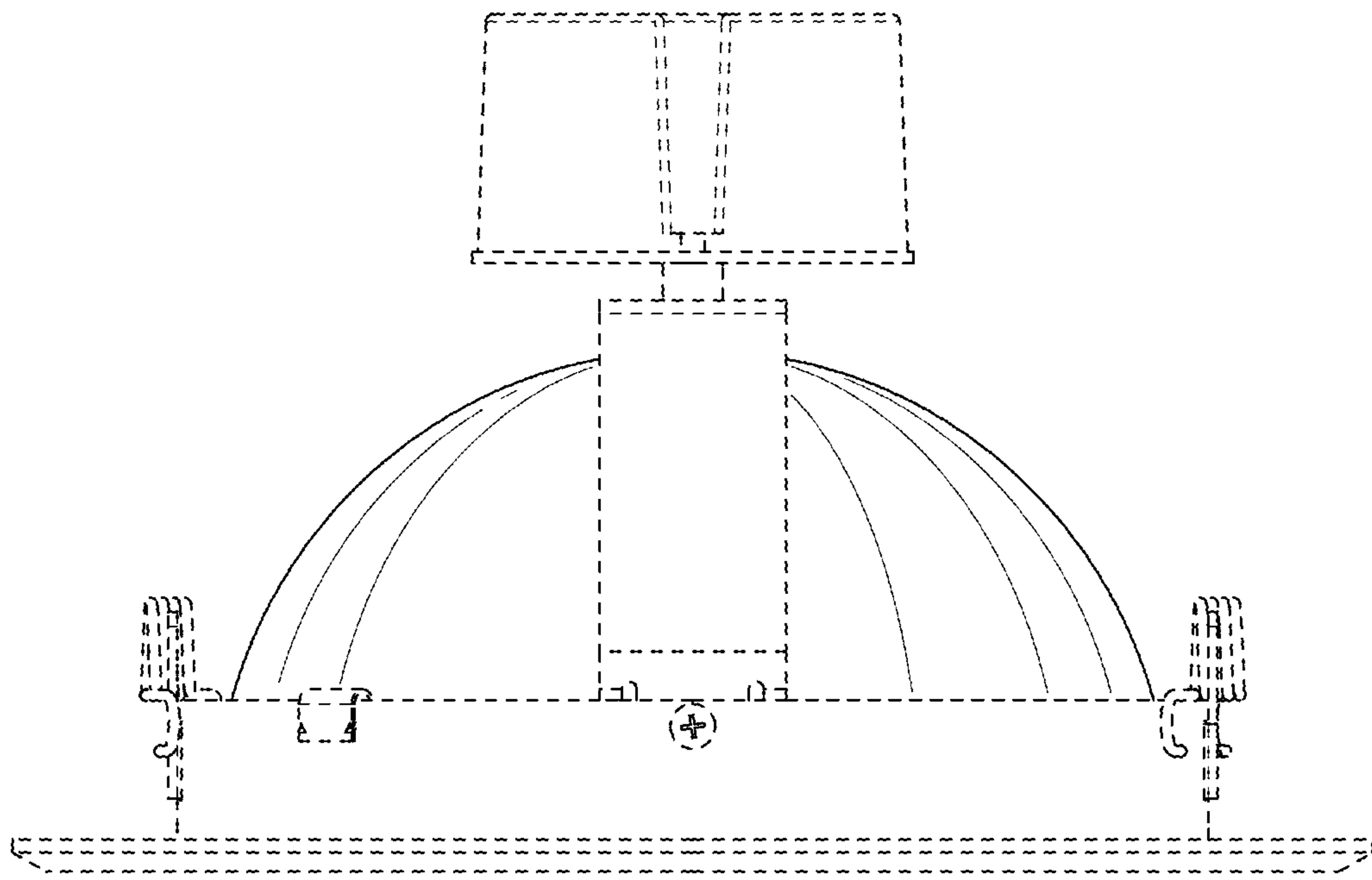


FIG. 8

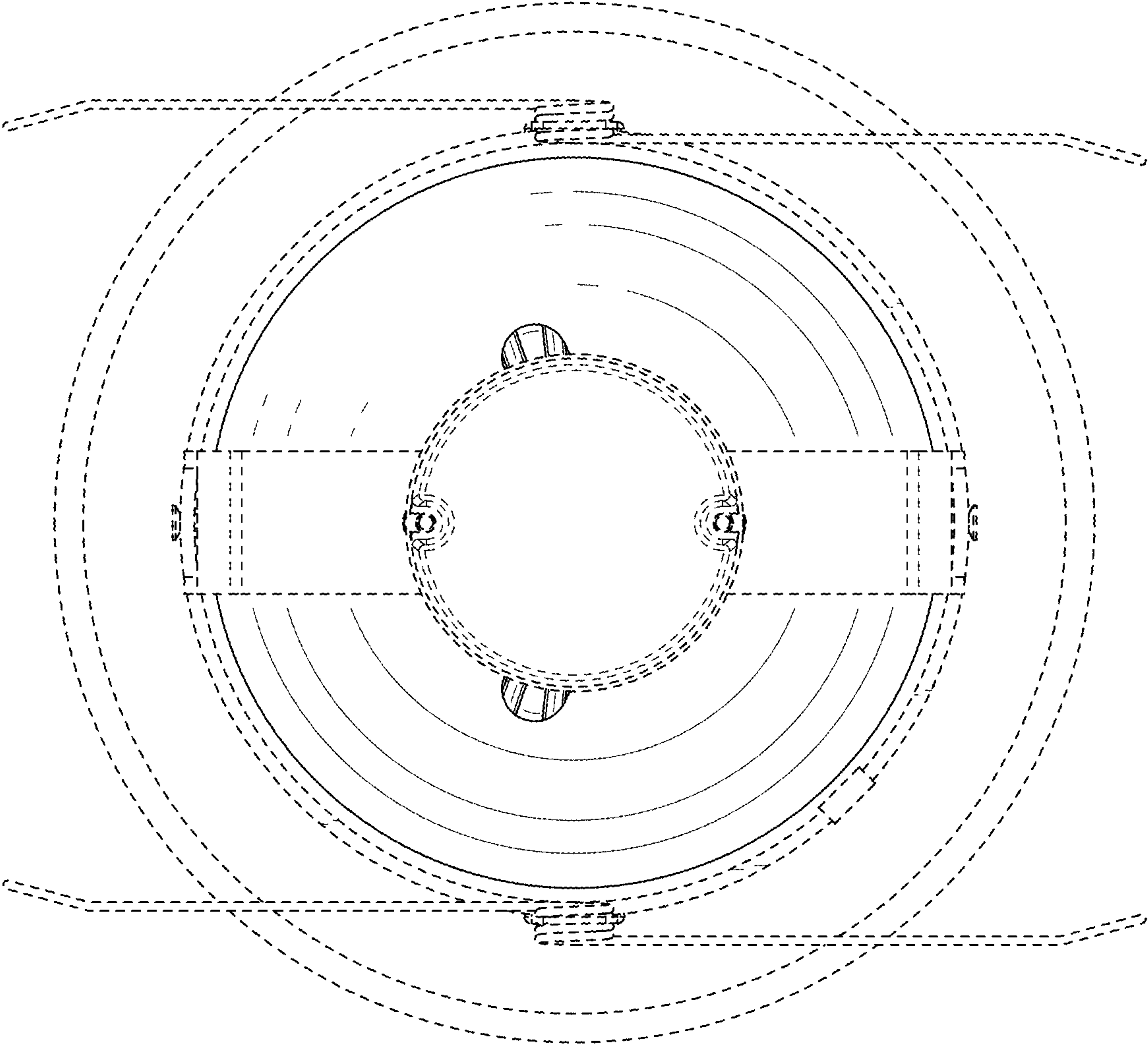


FIG. 9

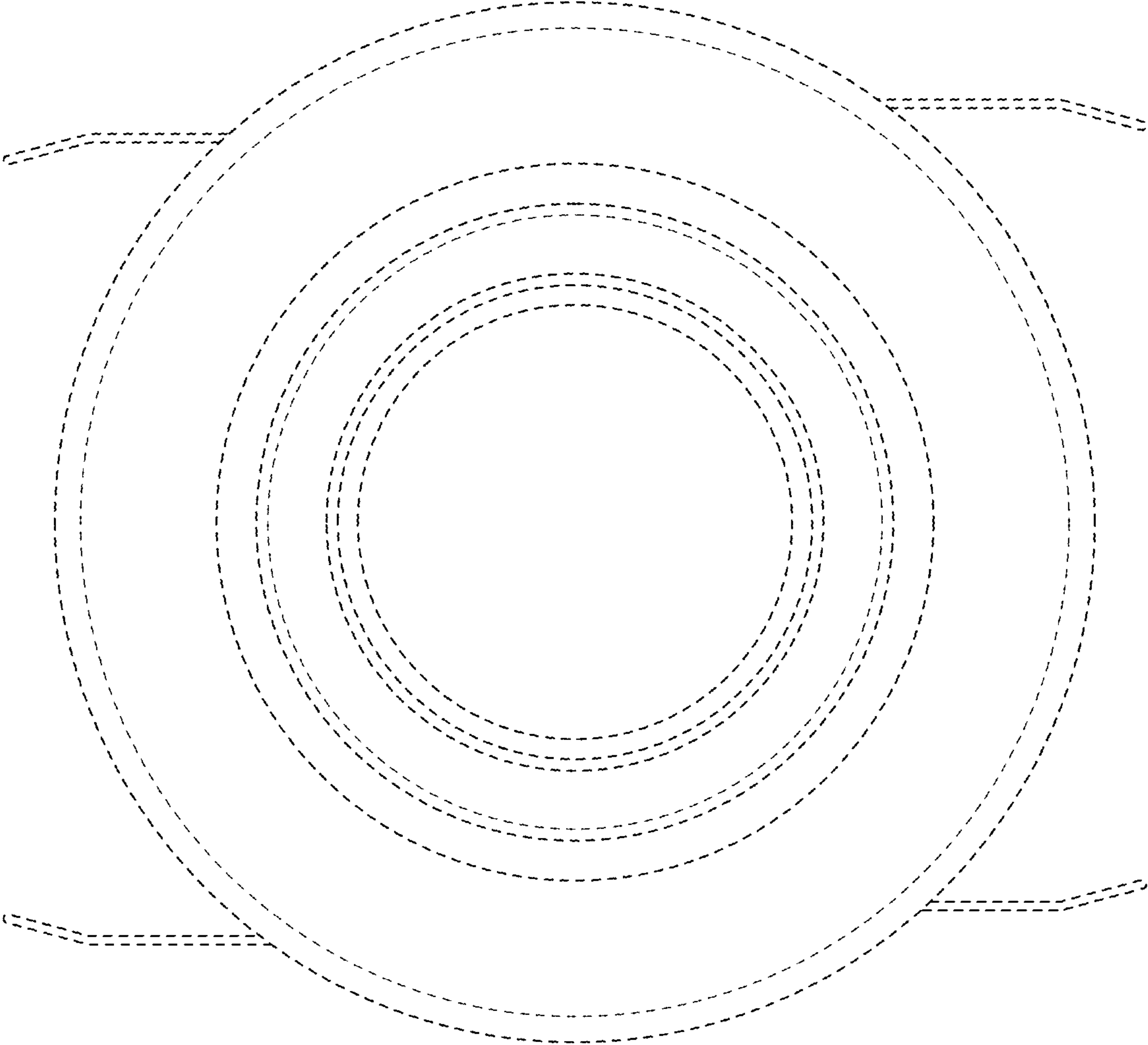


FIG. 10

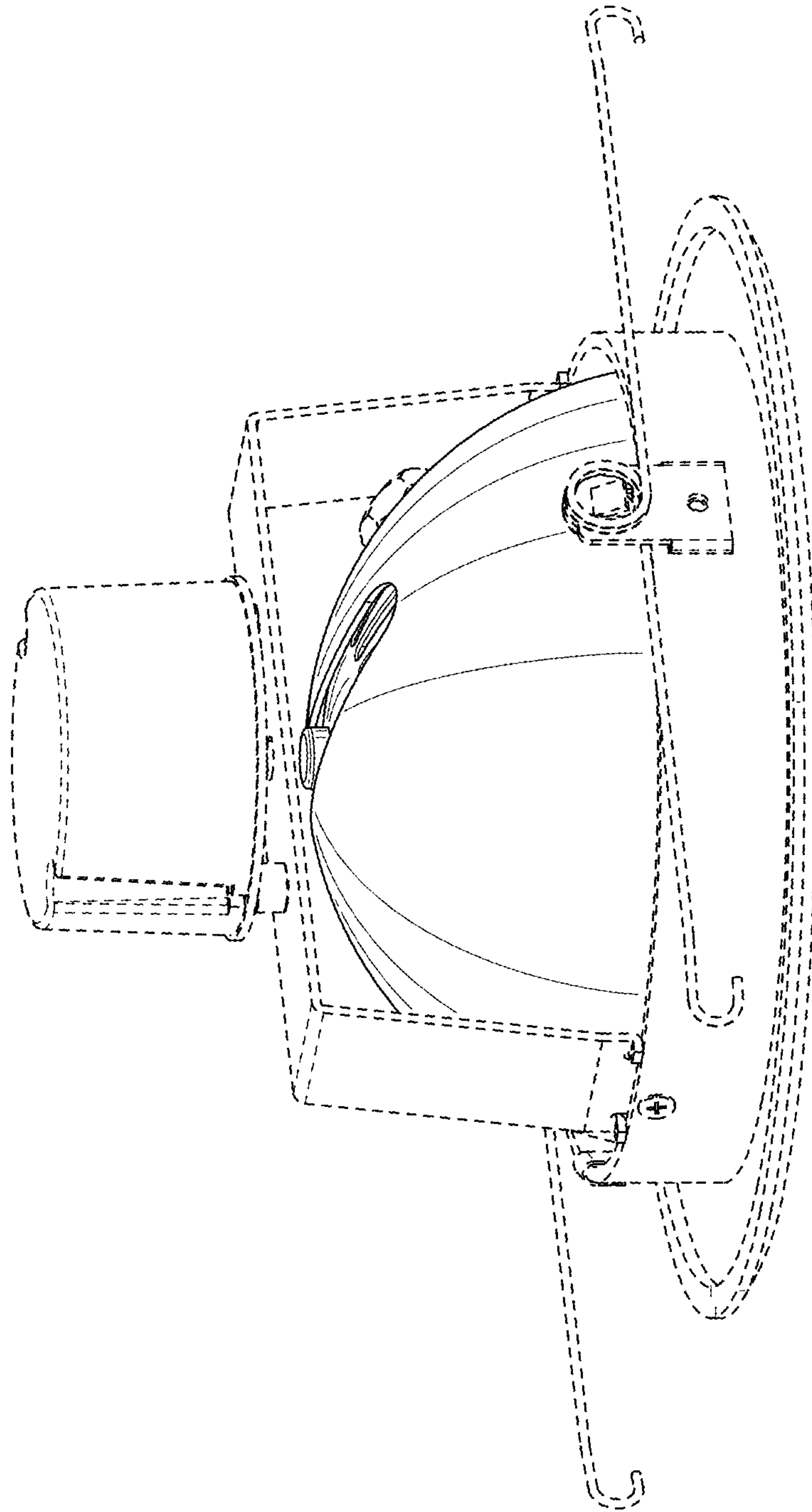


FIG. 11

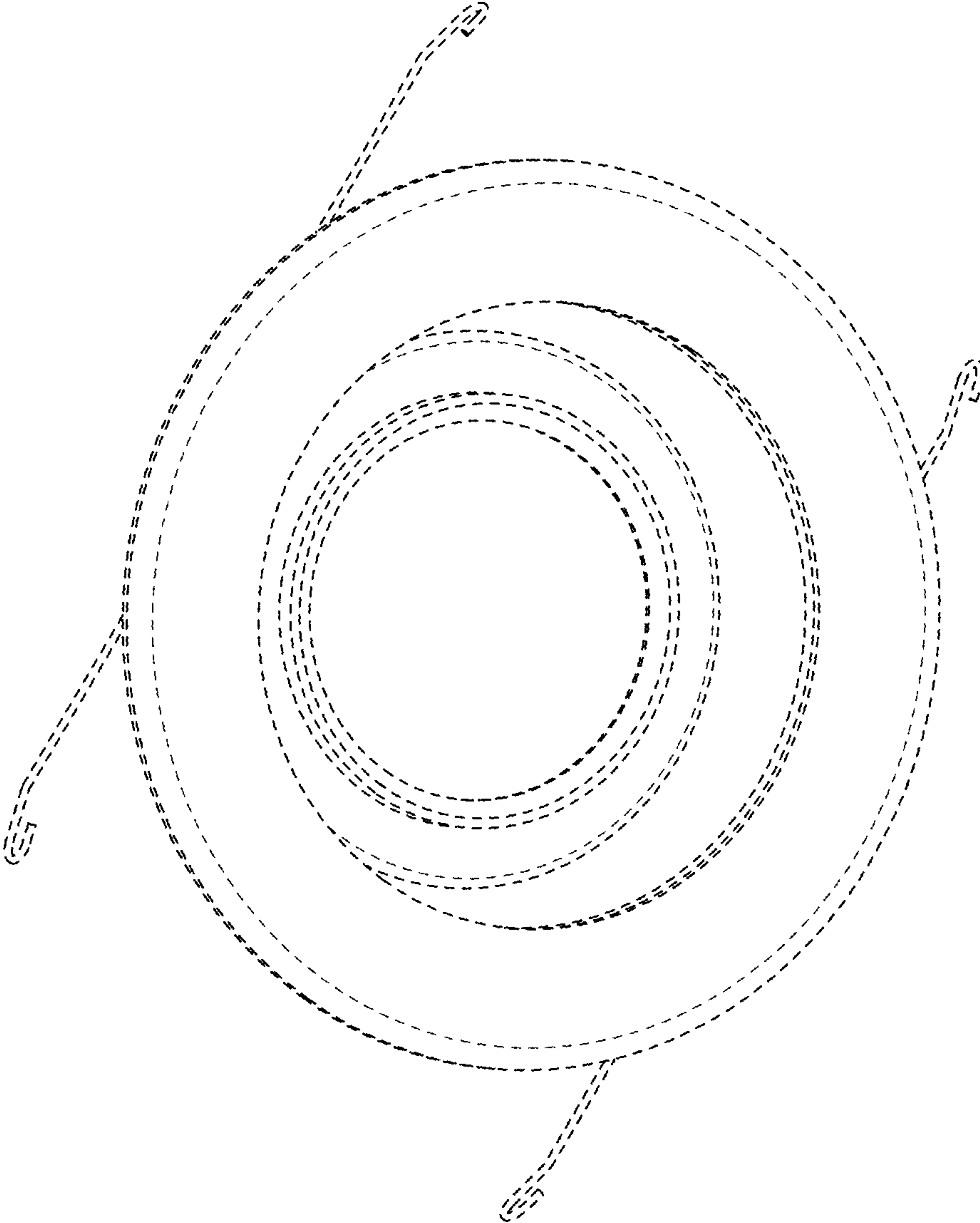


FIG. 12