



US00D959721S

(12) **United States Design Patent**
Yu

(10) **Patent No.:** **US D959,721 S**

(45) **Date of Patent:** **** Aug. 2, 2022**

(54) **LED LUMINAIRE HOUSING**

(71) Applicant: **Chung Han Yu**, City of Industry, CA
(US)

(72) Inventor: **Chung Han Yu**, City of Industry, CA
(US)

(**) Term: **15 Years**

(21) Appl. No.: **29/702,342**

(22) Filed: **Aug. 19, 2019**

(51) **LOC (13) Cl.** **26-05**

(52) **U.S. Cl.**
USPC **D26/71; D26/92**

(58) **Field of Classification Search**
USPC D26/63, 71, 87, 92, 118
CPC .. F21S 8/068; F21S 8/085; F21S 8/086; F21S
8/088; F21S 9/03; F21S 9/037; F21W
2131/103; F21W 2131/107; F21W
2131/109

See application file for complete search history.

(56) **References Cited**

U.S. PATENT DOCUMENTS

D650,110 S *	12/2011	Zhu	D26/71
D693,511 S *	11/2013	Larsen	D26/71
D703,367 S *	4/2014	Tsao	D26/92
D712,587 S *	9/2014	Yu	D26/92
D776,858 S *	1/2017	Ye	D26/92
D854,721 S *	7/2019	Sohn	D26/71
D860,497 S *	9/2019	Zhu	D26/71

D920,556 S *	5/2021	Harris	D26/71
D930,220 S *	9/2021	Xu	D26/92
2017/0307197 A1*	10/2017	Clark	F21V 29/763

OTHER PUBLICATIONS

Hykolity 200W LED Parking Lot Light, ASIN: B07XYZWYDX.
Available from amazon.com Sep. 17, 2019. (Year: 2019).*

* cited by examiner

Primary Examiner — Clare E Heflin

(74) *Attorney, Agent, or Firm* — Michael D. Lazzara;
Leech Tishman Fuscaldo & Lampl

(57) **CLAIM**

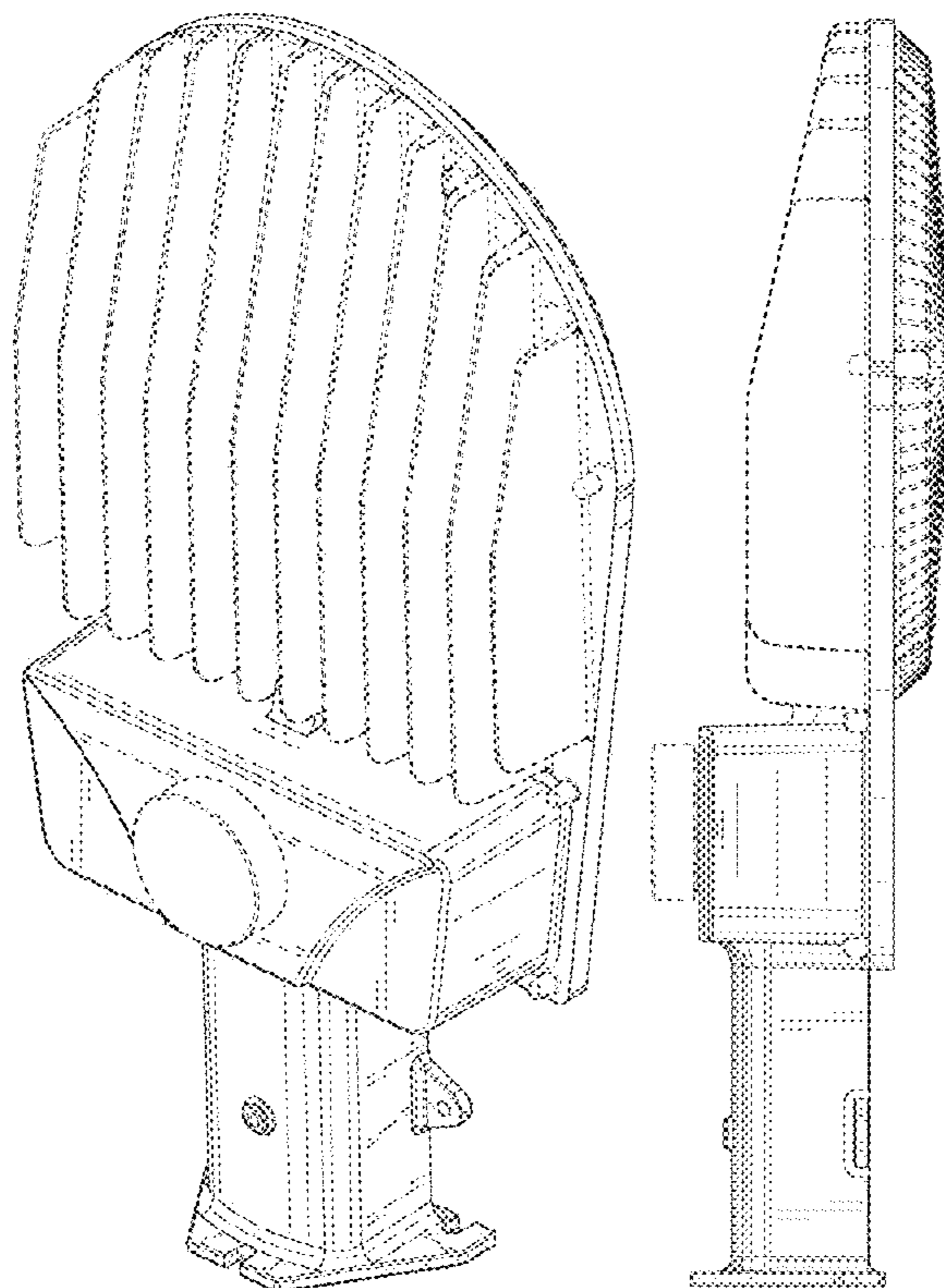
The ornamental design for the LED luminaire housing, as shown and described.

DESCRIPTION

FIG. 1 is a bottom, front and left side perspective view of the LED luminaire housing showing the new design; FIG. 2 is a top, front and right side perspective view thereof; FIG. 3 is a bottom plan view thereof; FIG. 4 is a top plan view thereof; FIG. 5 is a right side elevation view thereof; FIG. 6 is a left side elevation view thereof; FIG. 7 is a front elevation view thereof; and, FIG. 8 is a rear elevation view thereof.

The broken lines depict portions of the LED luminaire housing in which the design is embodied that form no part of the claimed design.

1 Claim, 8 Drawing Sheets



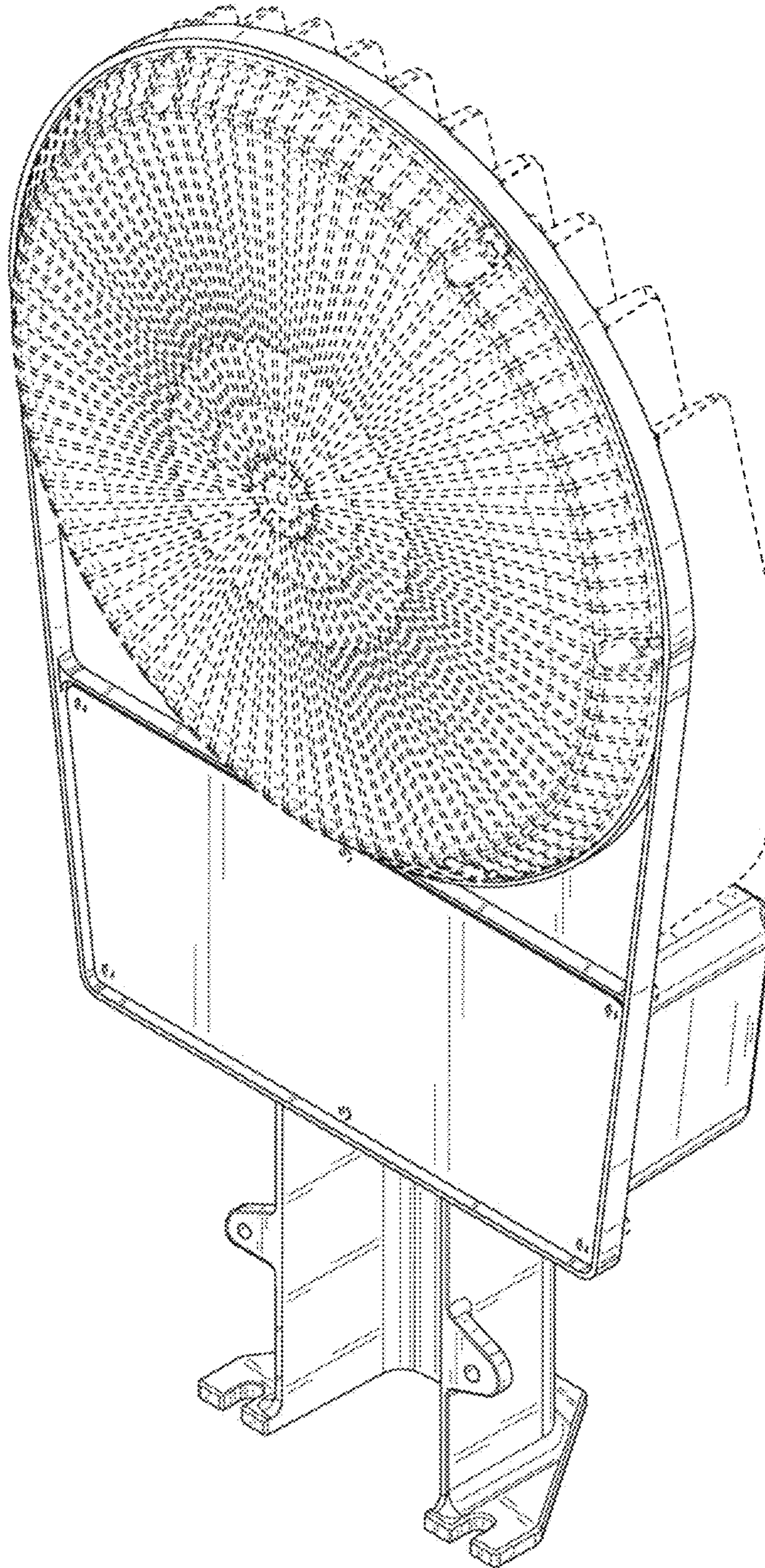


FIG. 1

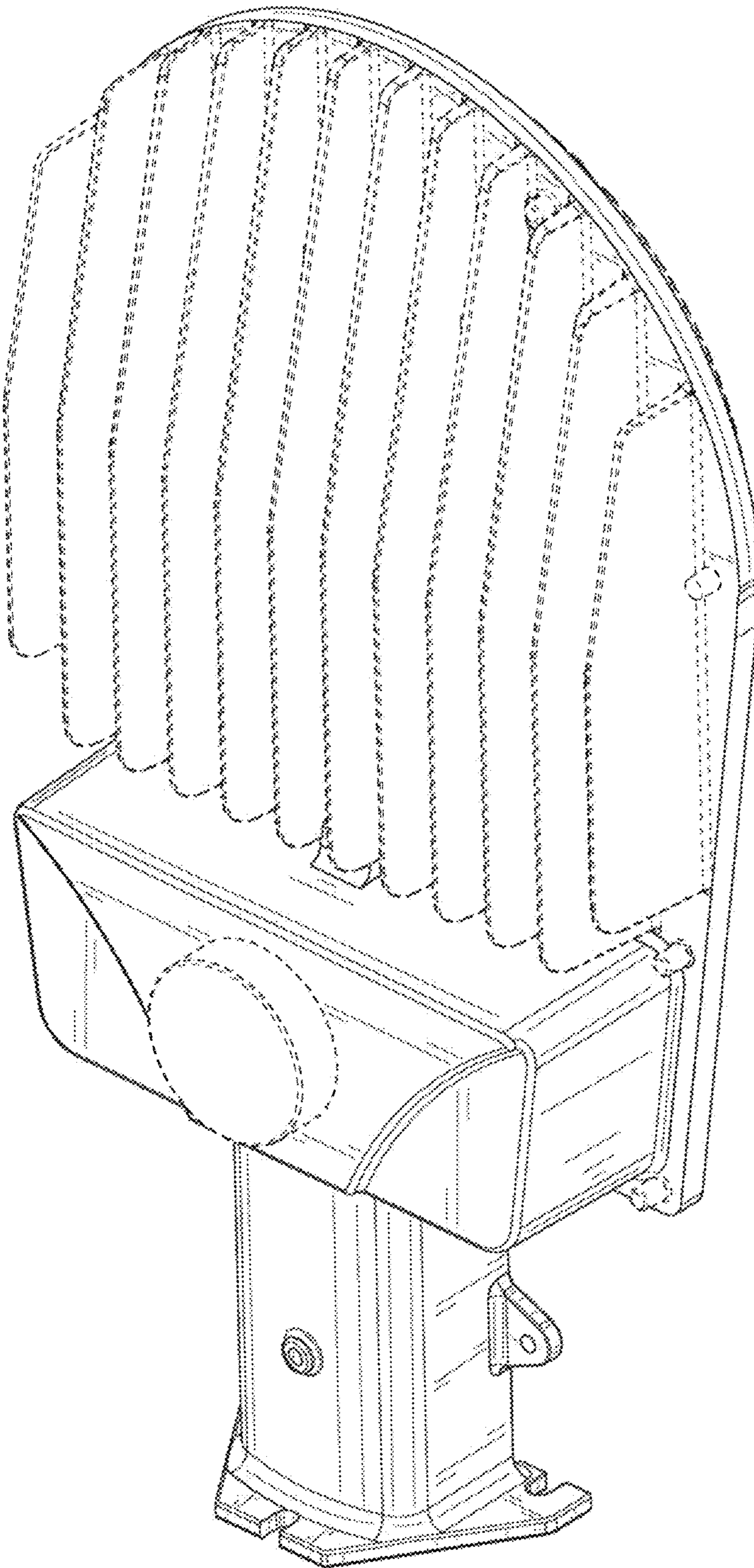


FIG. 2

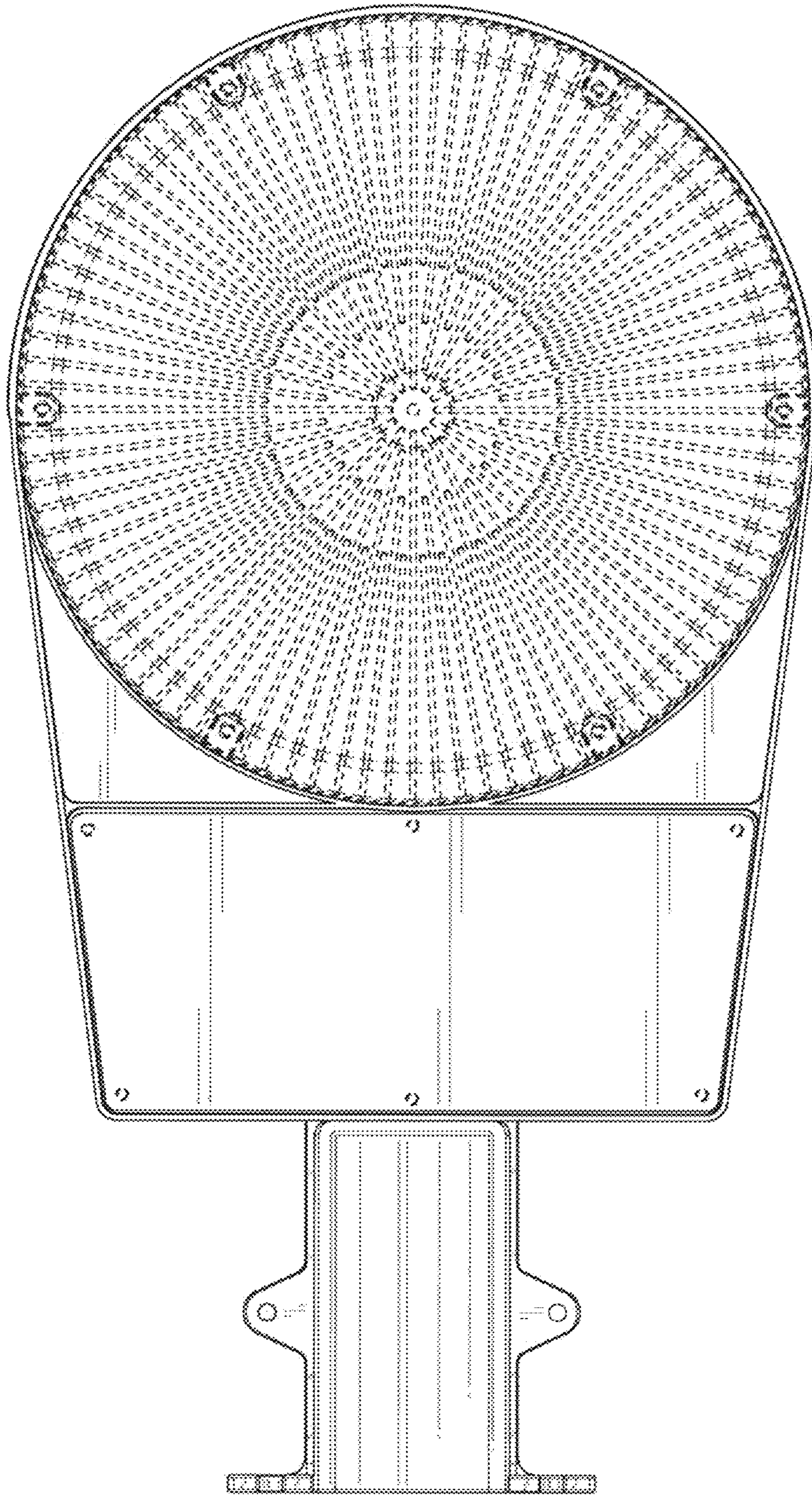


FIG. 3

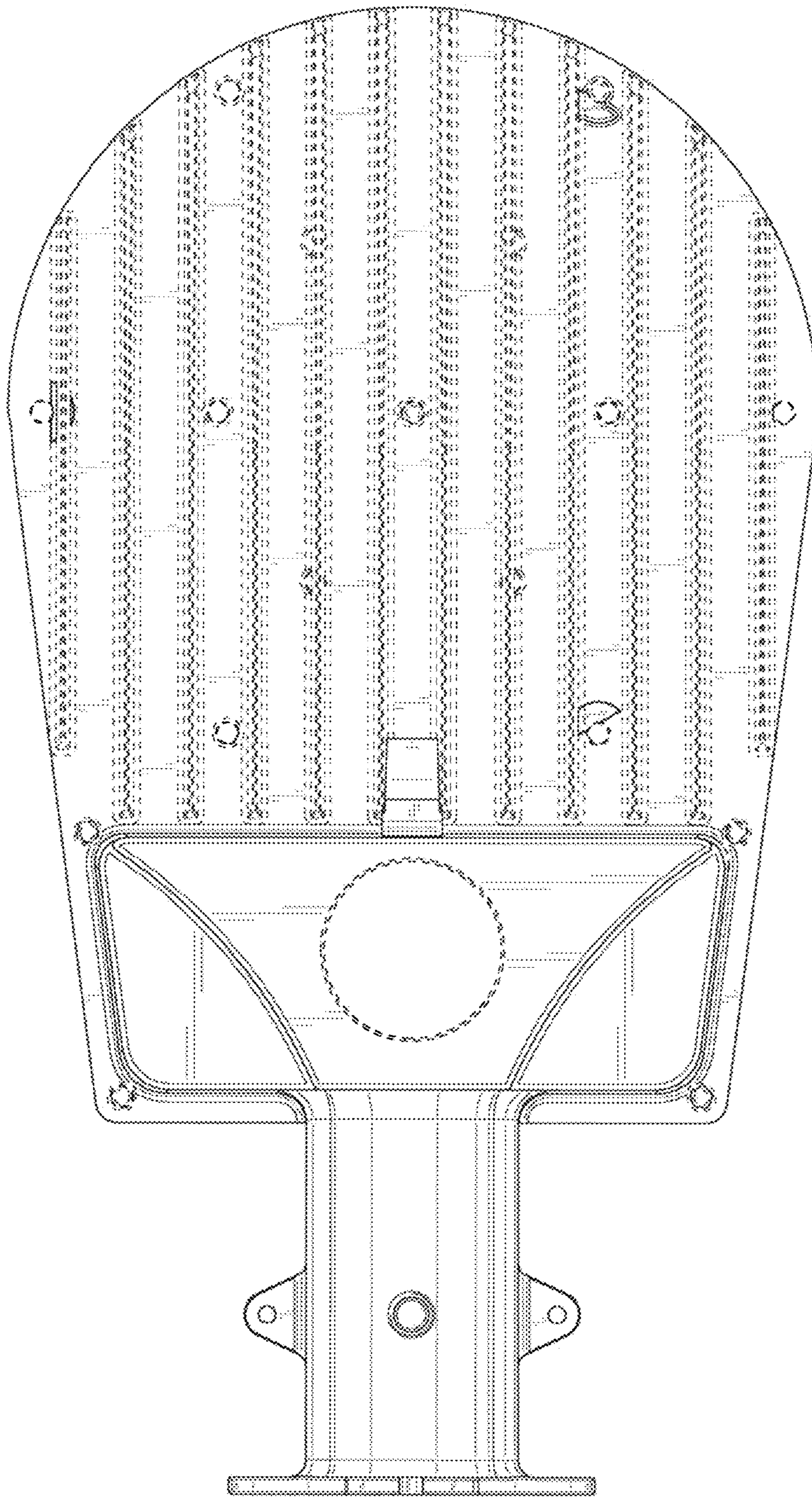


FIG. 4

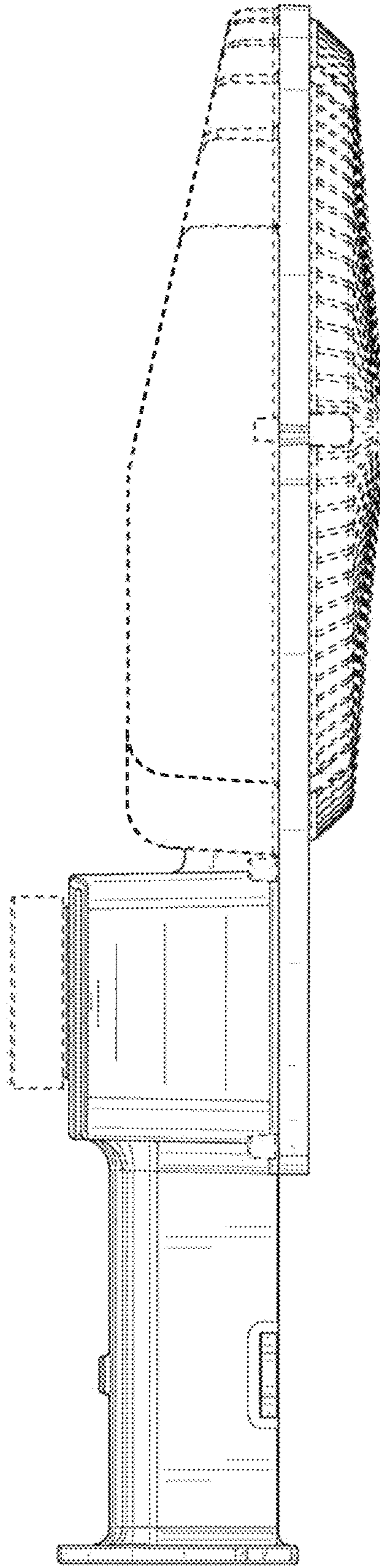


FIG. 5

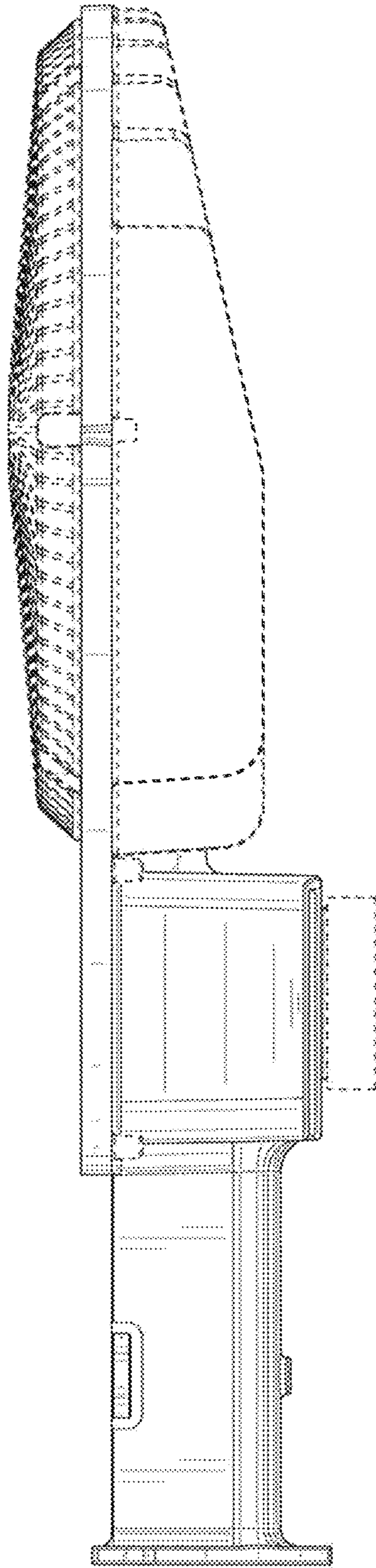


FIG. 6

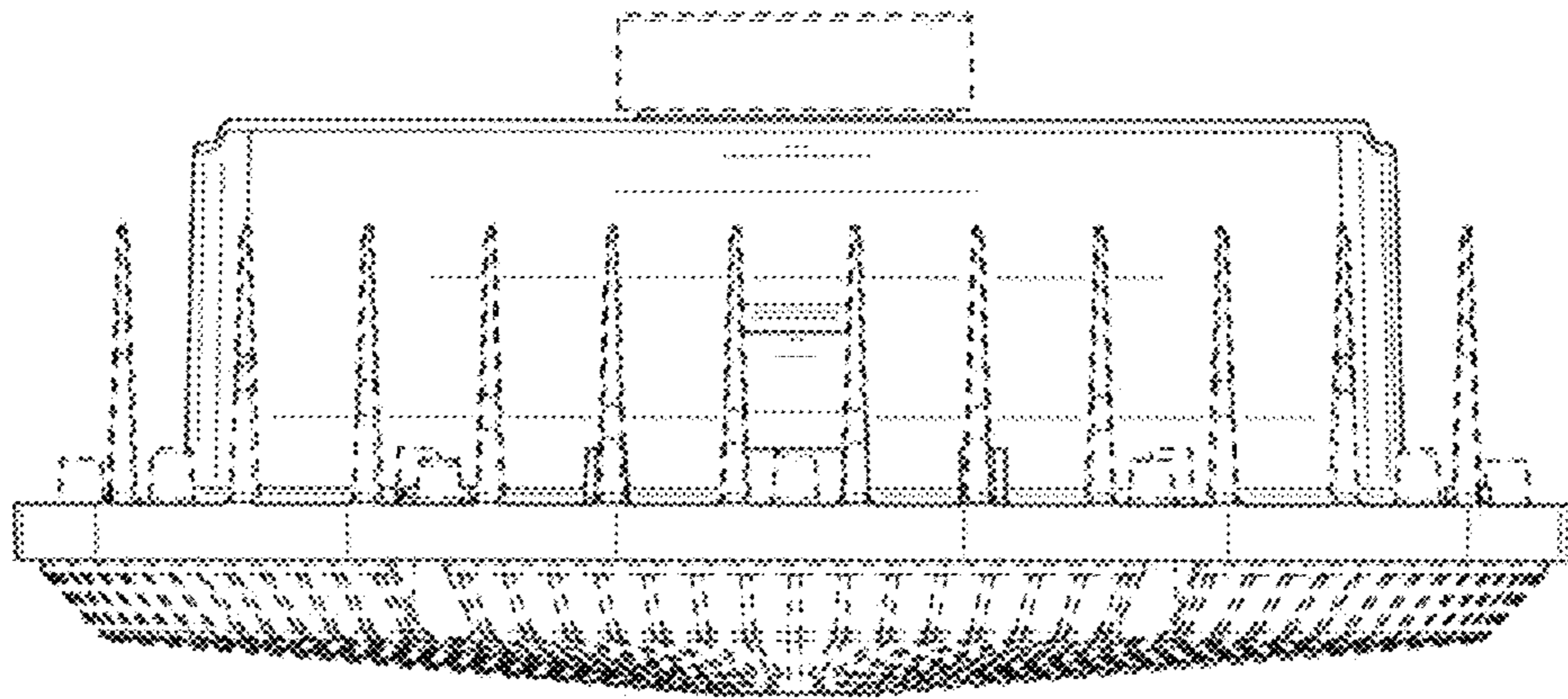


FIG. 7

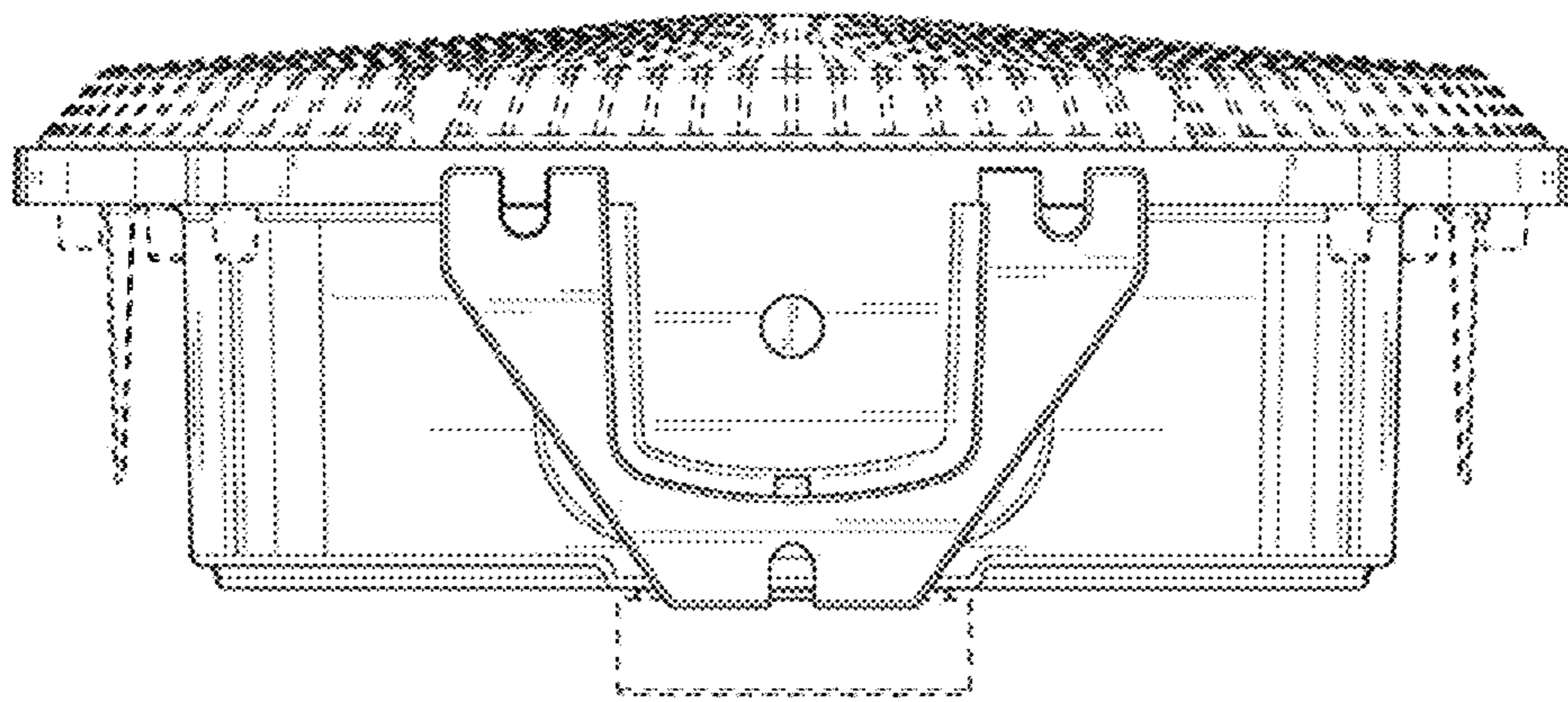


FIG. 8