

US00D959718S

(12) **United States Design Patent** (10) **Patent No.:** **US D959,718 S**
McRoberts (45) **Date of Patent:** **** Aug. 2, 2022**

(54) **CEILING FAN LIGHT KIT**

Product#: 5CQM44PN, 52 Inch Canfield Ceiling Fan 300117WH (White), accessed Mar. 3, 2016.

(71) Applicant: **HUNTER FAN COMPANY**,
Memphis, TN (US)

(Continued)

(72) Inventor: **Claire Bernice McRoberts**, La Jolla,
CA (US)

Primary Examiner — Sharon S Oum

(74) *Attorney, Agent, or Firm* — McGarry Bair PC

(73) Assignee: **Hunter Fan Company**, Memphis, TN
(US)

(57) **CLAIM**

The ornamental design for a ceiling fan light kit, as shown and described.

(**) Term: **15 Years**

DESCRIPTION

(21) Appl. No.: **29/722,707**

(22) Filed: **Jan. 31, 2020**

FIG. 1 is a top perspective view of a ceiling fan light kit, shown in the environment of a ceiling fan, showing my new design;

FIG. 2 is a bottom perspective view thereof;

FIG. 3 is a top view thereof;

FIG. 4 is a bottom view thereof;

FIG. 5 is a front view thereof;

FIG. 6 is a rear view thereof;

FIG. 7 is a left side view thereof;

FIG. 8 is a right side view thereof;

FIG. 9 is an enlarged partial view of the bottom view of FIG. 4;

FIG. 10 is an enlarged partial view of the top perspective view of FIG. 1;

FIG. 11 is an enlarged partial view of the bottom perspective view of FIG. 2;

FIG. 12 is an enlarged partial view of the front view of FIG. 5;

FIG. 13 is an enlarged partial view of the rear view of FIG. 6;

FIG. 14 is an enlarged partial view of the left side view of FIG. 7;

FIG. 15 is an enlarged partial view of the right side view of FIG. 8; and,

FIG. 16 is an enlarged partial view of a portion of the enlarged view of FIG. 15.

Portions of the ceiling fan light kit and the ceiling fan environment are shown in broken lines, which form no part of the claimed design.

Related U.S. Application Data

(63) Continuation of application No. 29/621,457, filed on Oct. 9, 2017, now Pat. No. Des. 877,381, which is a (Continued)

(51) **LOC (13) Cl.** **26-05**

(52) **U.S. Cl.**
USPC **D26/59; D26/144**

(58) **Field of Classification Search**
USPC D23/377, 379, 385, 411; D26/13, 37, 40,
D26/59, 70, 80-82, 84, 102, 111,
D26/143-144

(Continued)

(56) **References Cited**

U.S. PATENT DOCUMENTS

D40,300 S * 10/1909 Schneider D26/84

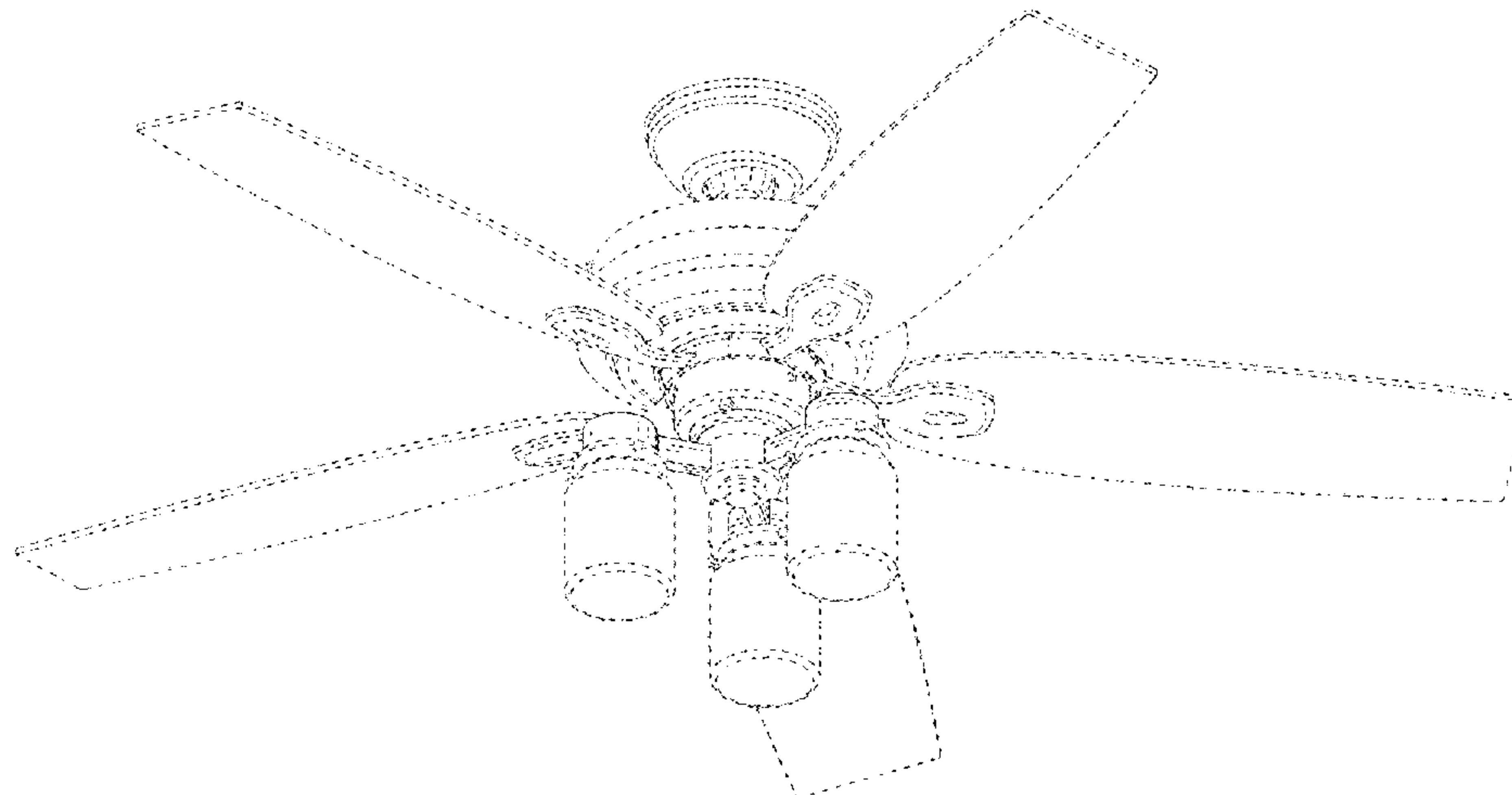
D40,302 S * 10/1909 Schneider D26/84

(Continued)

OTHER PUBLICATIONS

<http://www.montecarlofans.com/33294/44-Centro-Max-II-5CQM44PN.html>, Item Specification for the Monte Carlo Centro Max II,

1 Claim, 14 Drawing Sheets



Related U.S. Application Data

continuation of application No. 29/556,851, filed on Mar. 3, 2016, now Pat. No. Des. 804,011.

(58) **Field of Classification Search**

CPC F21V 3/061; F21V 3/0615; F21V 33/0096; F21S 8/043

See application file for complete search history.

(56) **References Cited**

U.S. PATENT DOCUMENTS

D47,800 S	9/1915	Pick	
D109,331 S	4/1938	McManus et al.	
D172,688 S *	7/1954	Ruskin	D26/81
D252,532 S *	7/1979	Glassman	D26/80
D315,205 S	3/1991	Cook	
D328,491 S	8/1992	Markwardt	
D344,794 S	3/1994	Galler	
5,404,284 A	4/1995	Davis, Jr.	
D394,323 S	5/1998	West	
D434,323 S	11/2000	Pattison	
D436,207 S *	1/2001	Pham	D26/72
D451,640 S	12/2001	Adams	
D483,463 S	12/2003	Tai	
D485,349 S *	1/2004	Burns	D23/411
D486,215 S	2/2004	Hsieh	
D489,810 S	5/2004	Burns	
D499,478 S	12/2004	Thomas, Jr.	
D504,501 S	4/2005	Young	
D520,668 S *	5/2006	Brunner	D26/81
D533,937 S	12/2006	Pan	
D549,385 S	8/2007	Lissoni	
D567,421 S *	4/2008	Pan	D26/59
D611,346 S	3/2010	Camomile	
D613,890 S *	4/2010	Chen	D26/59
7,798,357 B2	9/2010	Hanafusa et al.	
D627,046 S	11/2010	Wang	
D627,048 S	11/2010	Shurtleff	
D627,049 S *	11/2010	Glasbrenner	D23/411
D632,382 S	2/2011	Pan	
D721,113 S	1/2015	Huang	
D773,714 S *	12/2016	Sonneman	D26/84
D786,479 S *	5/2017	Dolan	D26/81

D786,480 S *	5/2017	Dolan	D26/81
D786,495 S *	5/2017	Dolan	D26/143
D804,011 S *	11/2017	Holmes	D23/377
D841,867 S	2/2019	Lee et al.	
D857,279 S	8/2019	Grcic	
D860,430 S *	9/2019	Orozco	D23/377
D864,461 S *	10/2019	Pickett	D26/87
D875,980 S *	2/2020	O'Connell	D26/59
D876,698 S *	2/2020	Hidalgo	D26/59
D929,019 S *	8/2021	Zhao	D26/81
D934,484 S *	10/2021	Ou	D26/80
D938,082 S *	12/2021	Holmes	D26/59
2004/0022636 A1	2/2004	Bilskie	
2010/0117553 A1	5/2010	Lee	
2012/0025705 A1	2/2012	Chang	
2014/0268803 A1	9/2014	Keng	

OTHER PUBLICATIONS

<http://www.kichler.com/products/product/52-inch-canfield-ceiling-fan-wh-300117wh.aspx>, Item Specification for the Kichler Canfield 52 Inch Canfield Ceiling Fan 300117WH (White), accessed Mar. 3, 2016.

<http://www.minkagroup.net/products/f614-dbb>, Item Specification for the MinkaAire Timeless 54" 5 Blade in Dark Brushed Bronze Finish w/Dark Maple Blades Model #F614-DBB, accessed Mar. 3, 2016.

<http://ceilingfans.emerson.com/shop/en/fan/fans-s-emerson-fans/emerson-fans-browse-all/ashland-fan-p-cf717>, Item Specification for the Emerson Ashland Model #CF717ORB, accessed Mar. 3, 2016.

http://www.fanimation.com/products/edgewood_deluxe/, Item Specification for the Fanimation Edgewood Model No. TF610, accessed Mar. 3, 2016.

<http://www.kingoffans.com/#/products>, Item Specification for the King of Fans Chardonnay Model #51528, accessed Mar. 3, 2016.

<https://www.etsy.com/listing/152096263/mason-jar-ceiling-fan-light-kit-only>, Item Specification for the LampGoods Mason Jar Ceiling Fan (Light Kit Only), accessed Mar. 3, 2016.

<http://www.craftmade.com/Collections-by-Craftmade.HTML>, Item Specification for the Craftmade Trenton Model # TRE54ESP5, accessed Mar. 3, 2016.

* cited by examiner

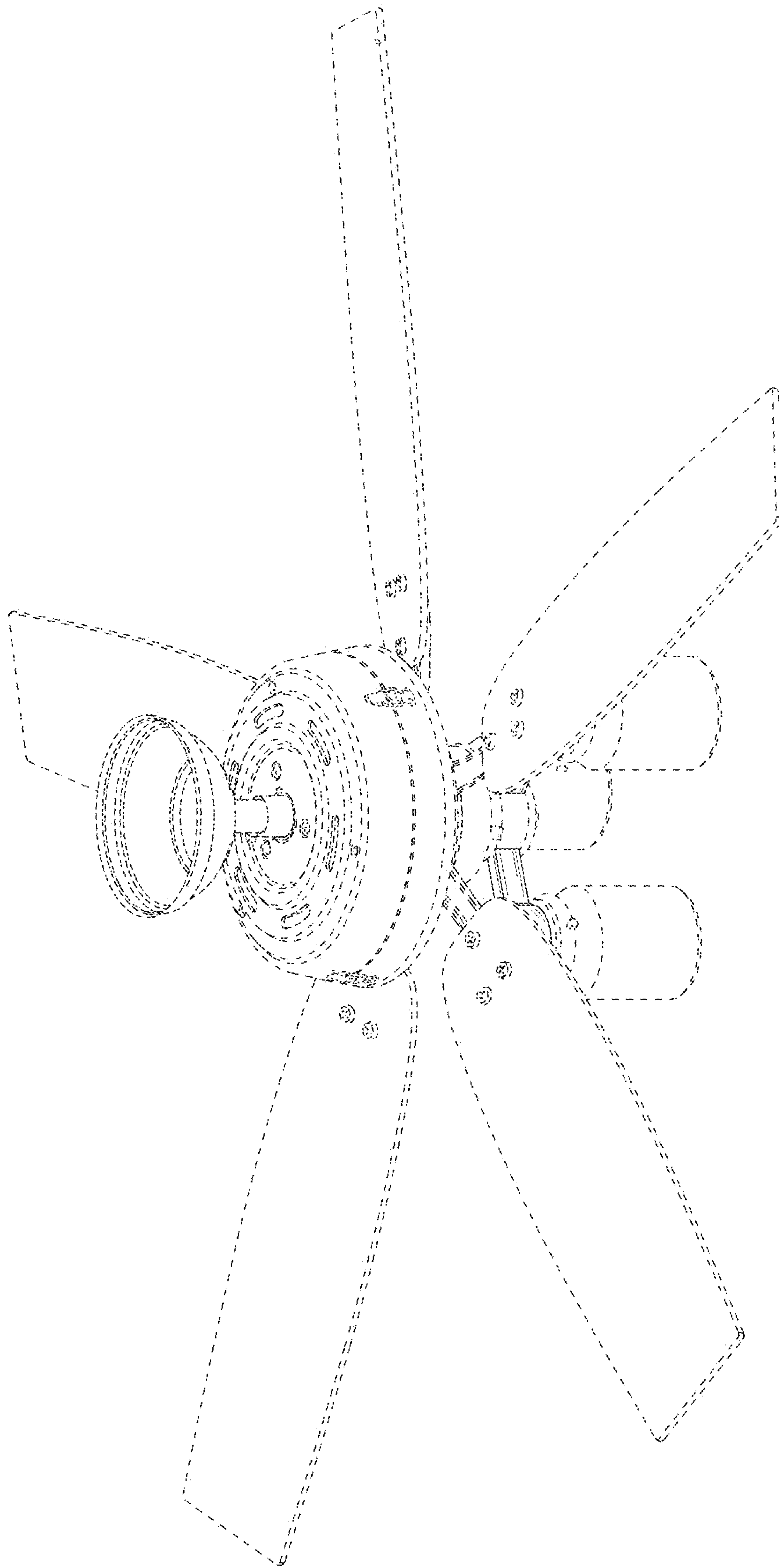


FIG. 1

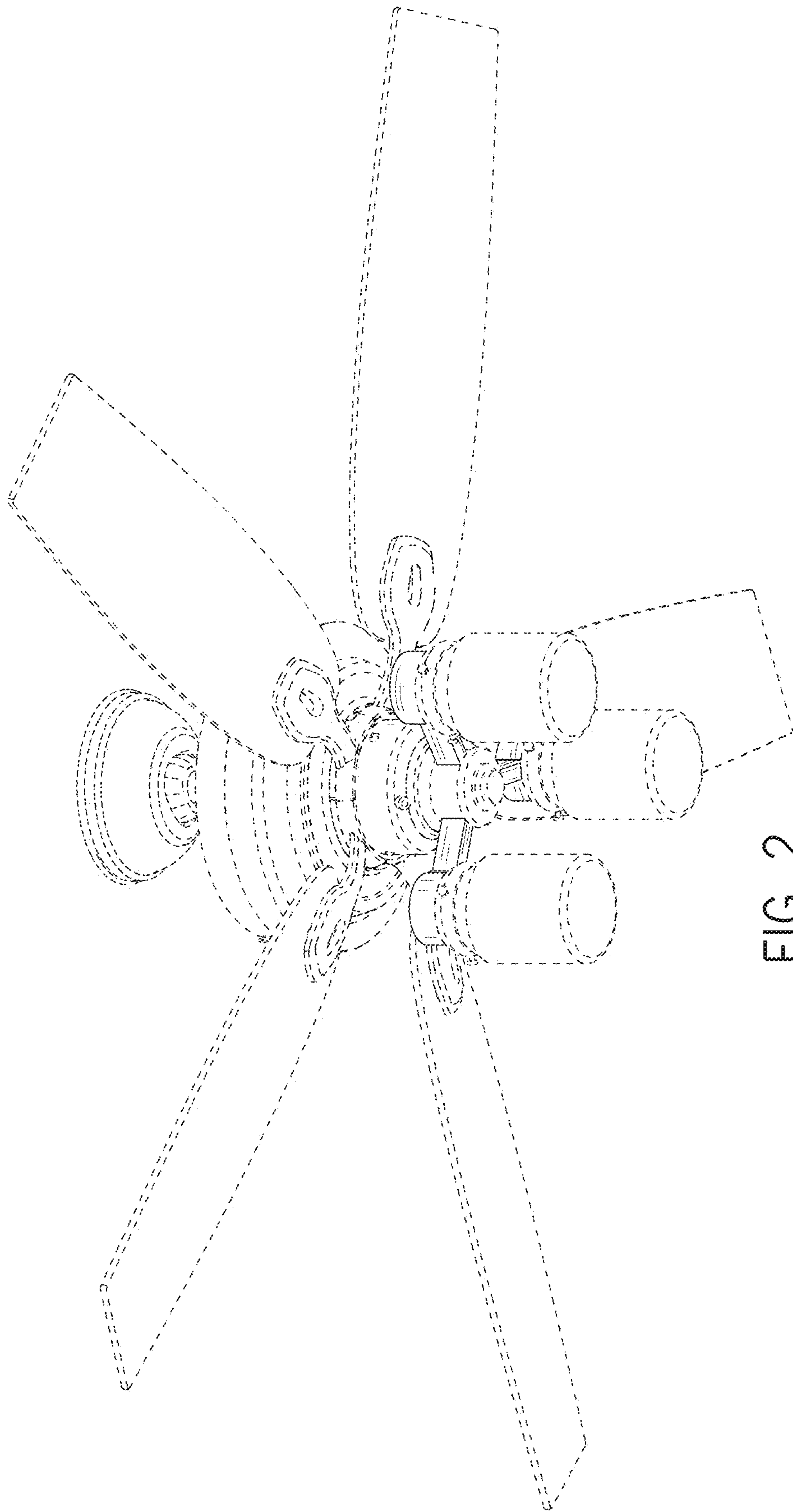


FIG. 2

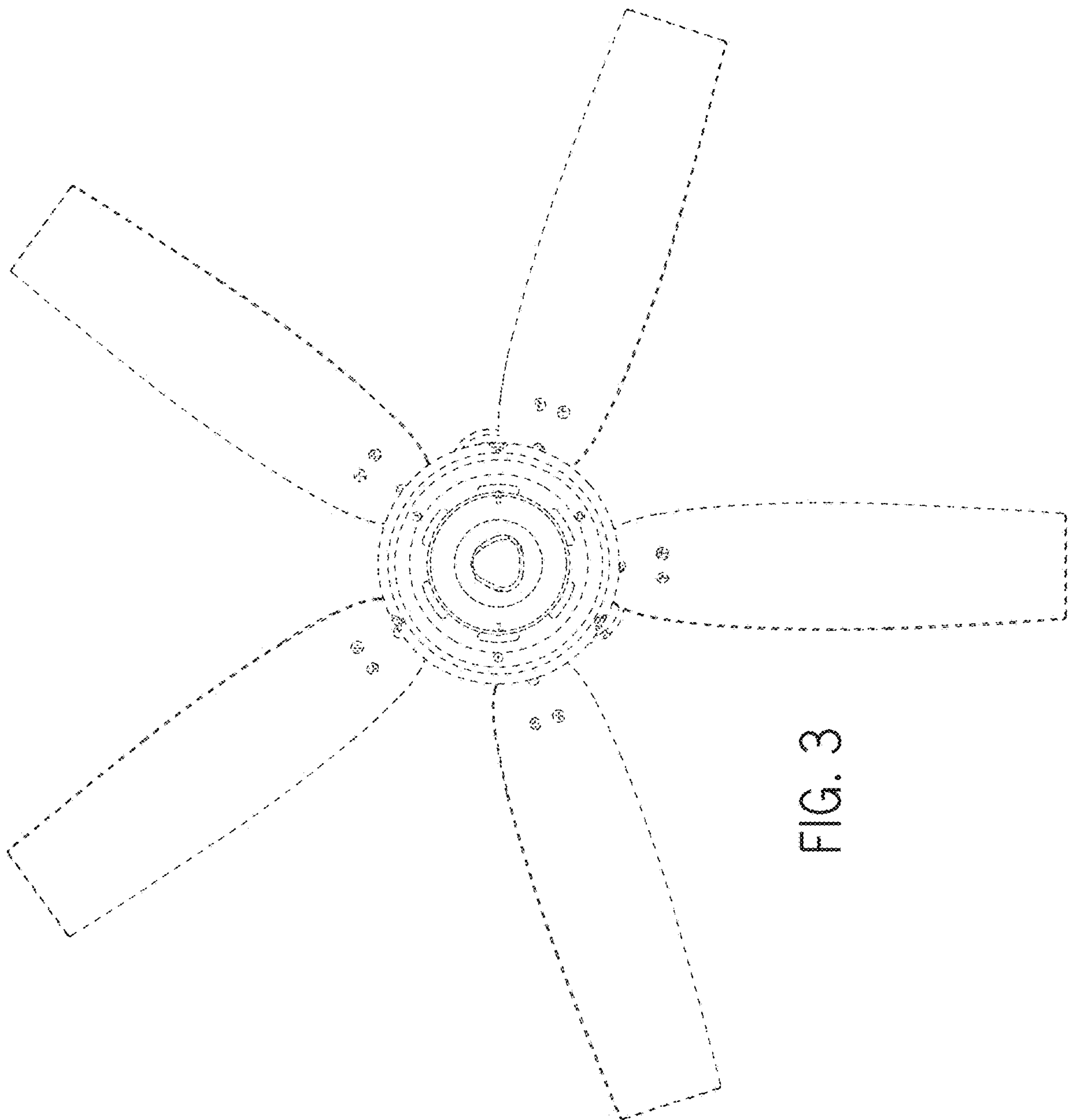


FIG. 3

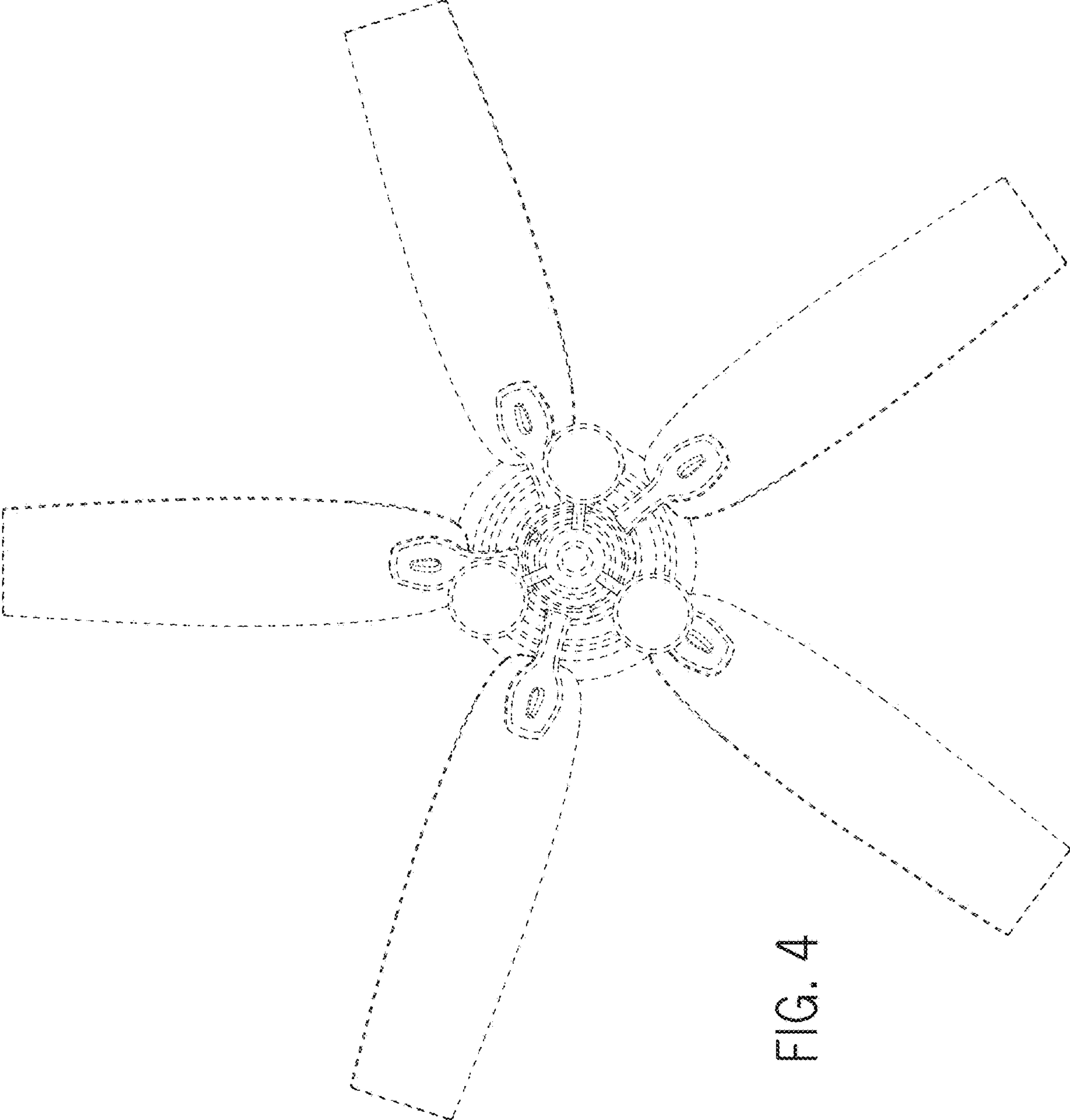


FIG. 4

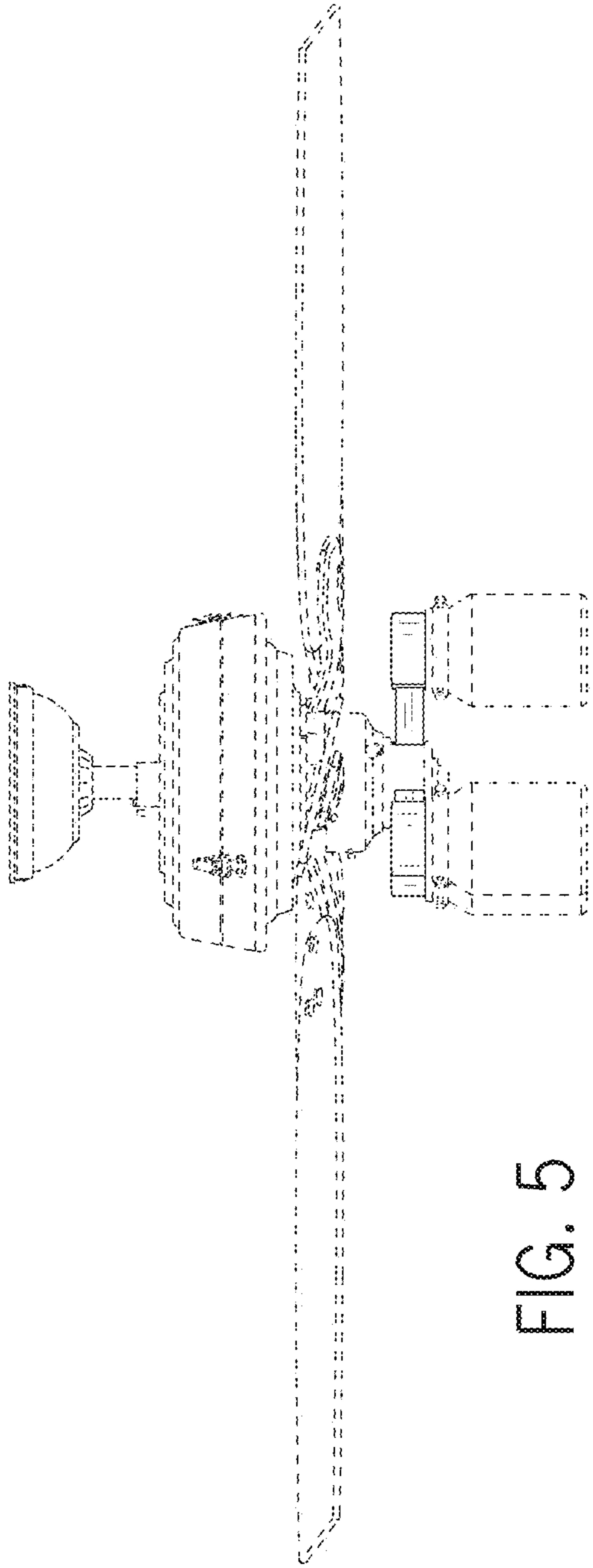


FIG. 5

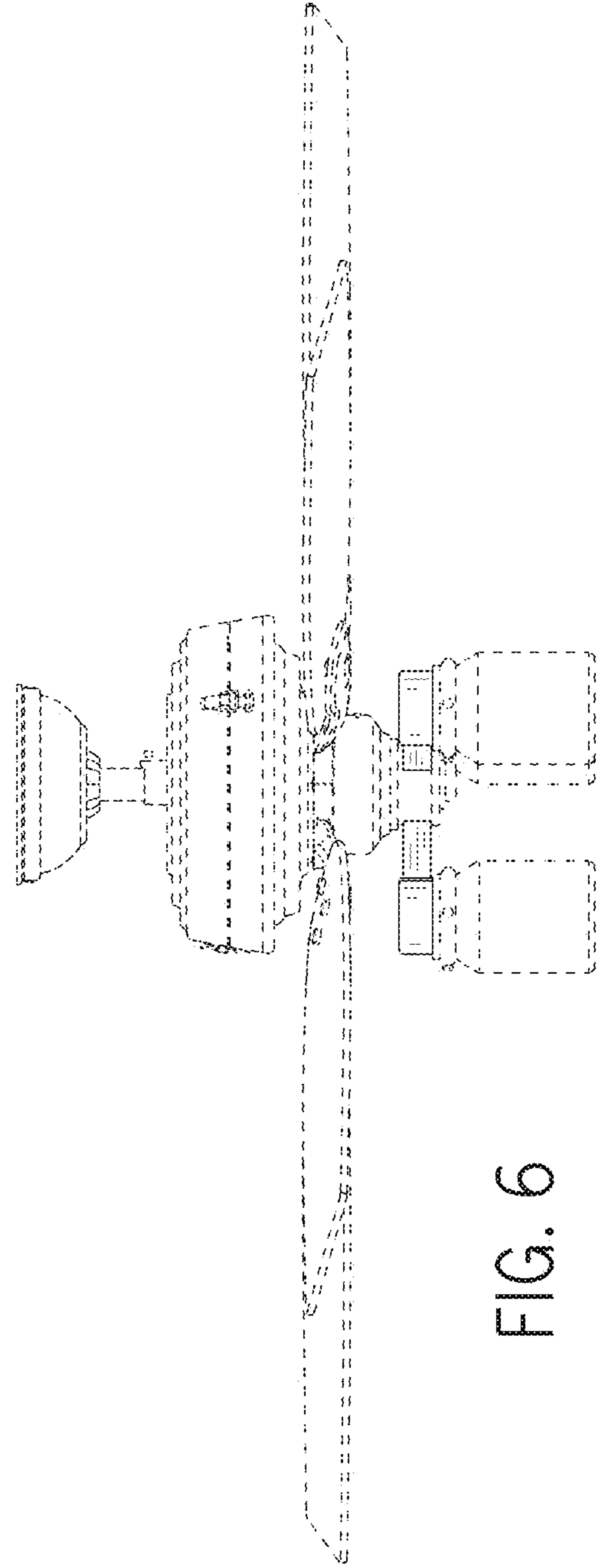


FIG. 6

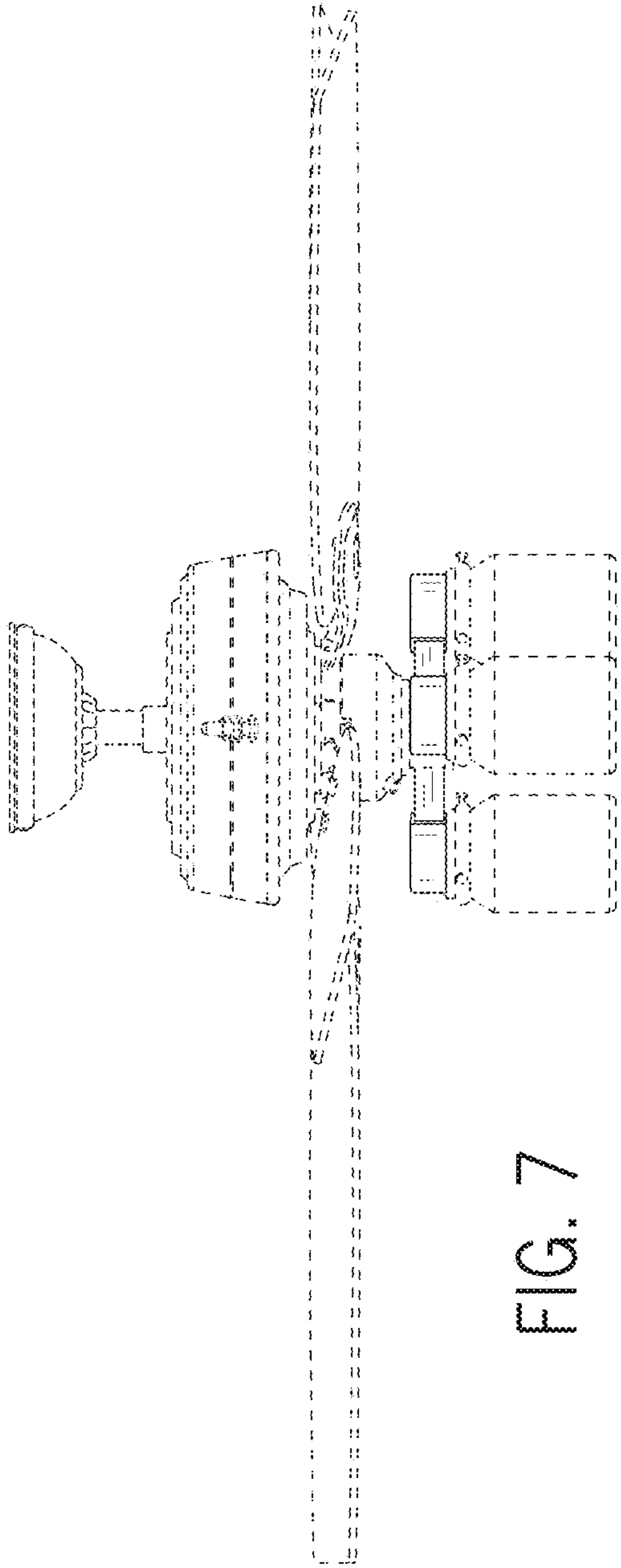


FIG. 7

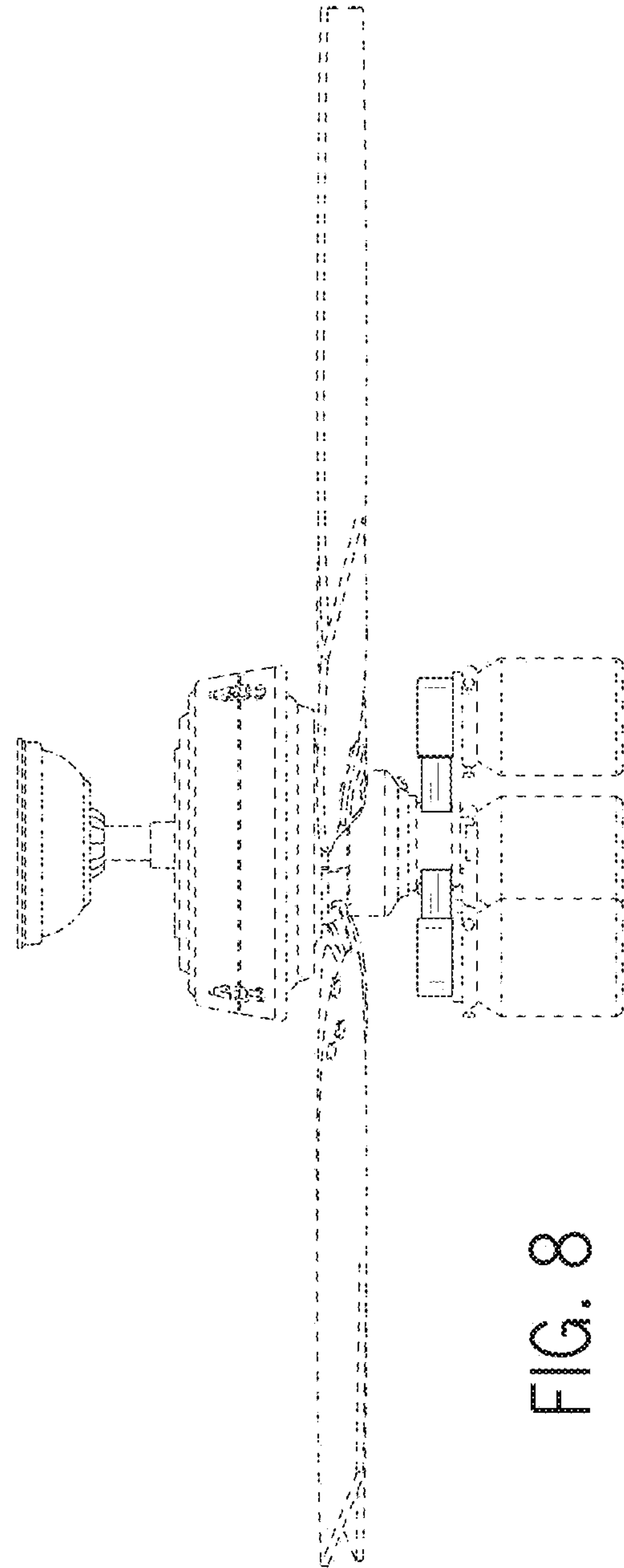


FIG. 8

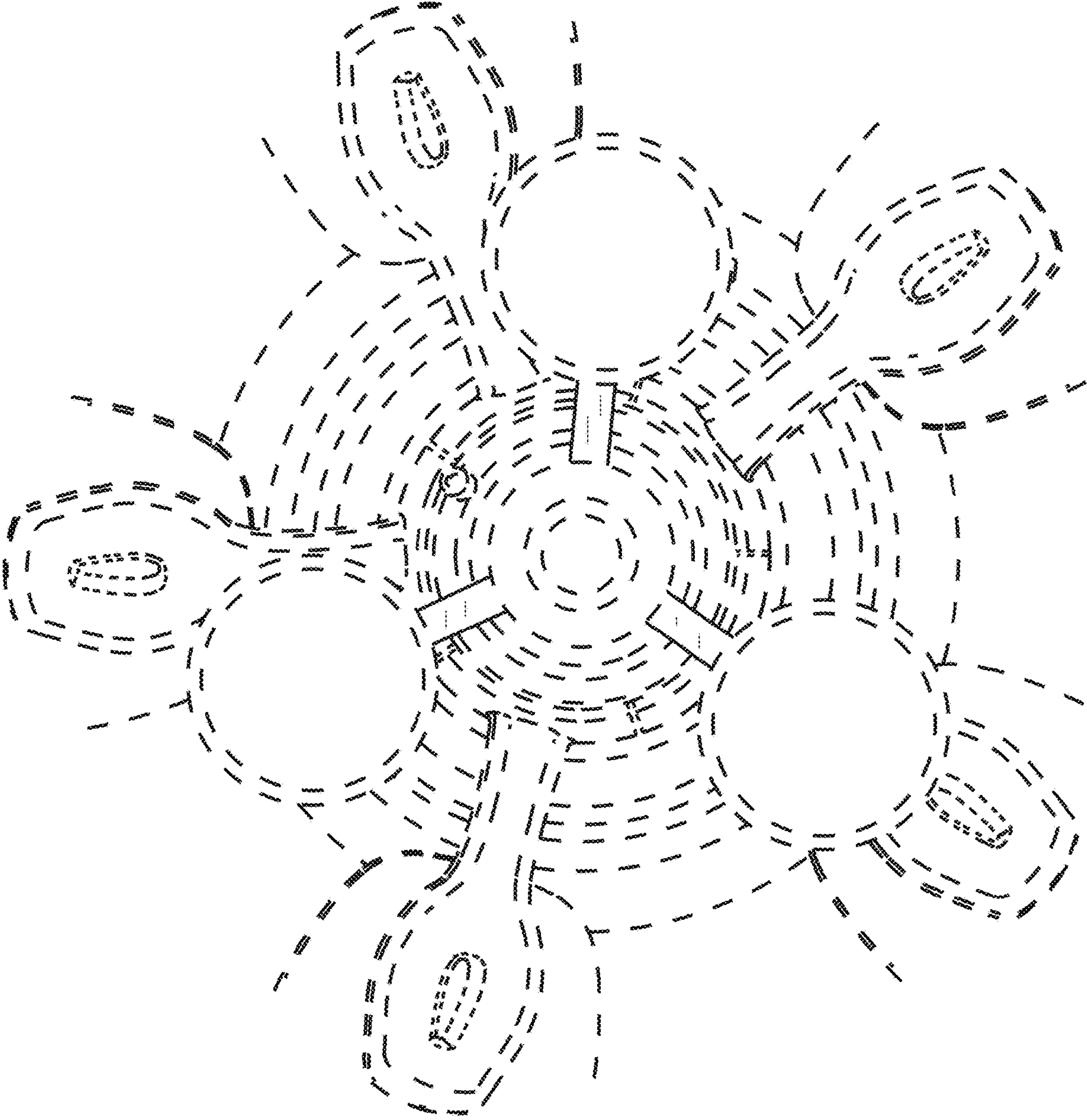


FIG. 9

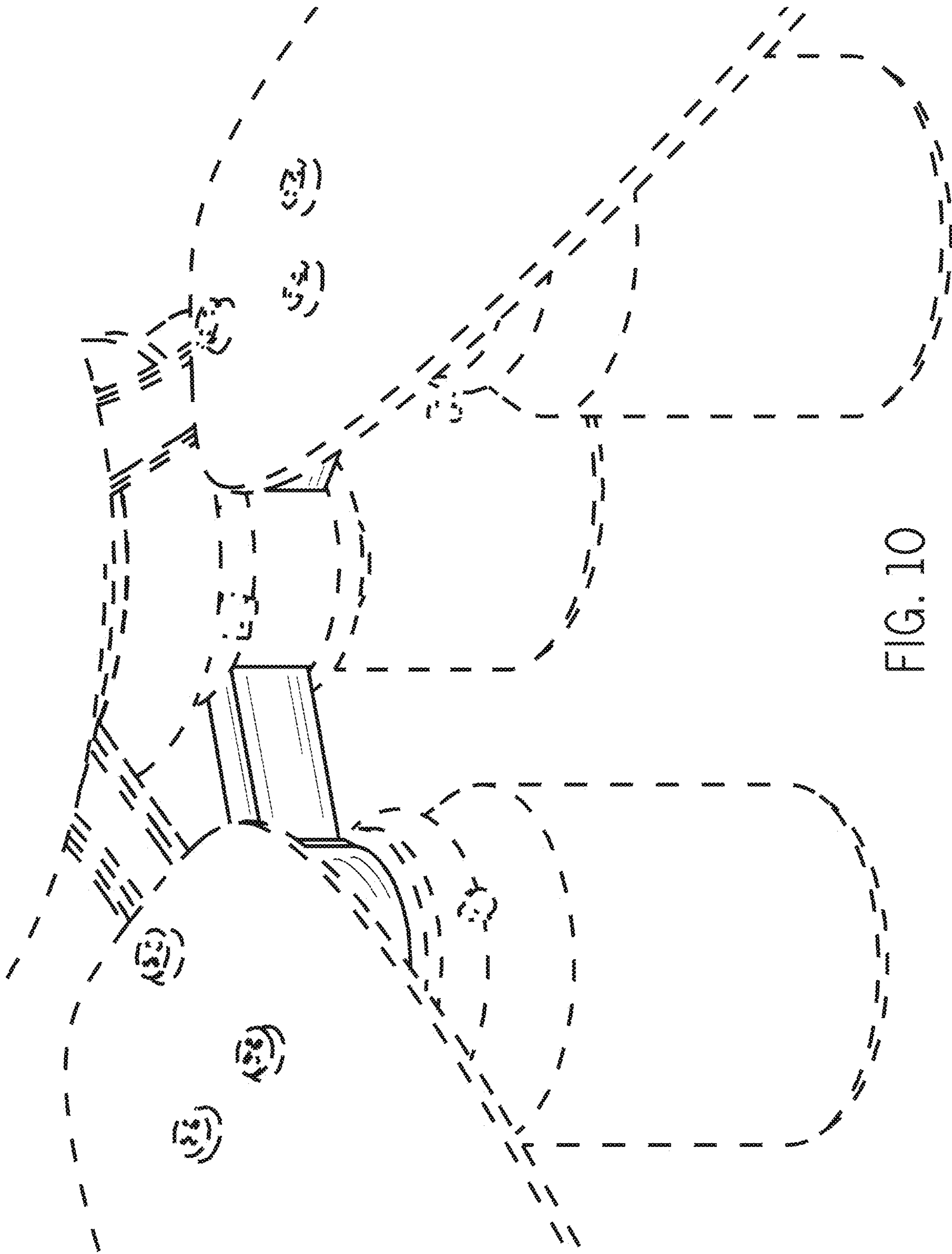


FIG. 10

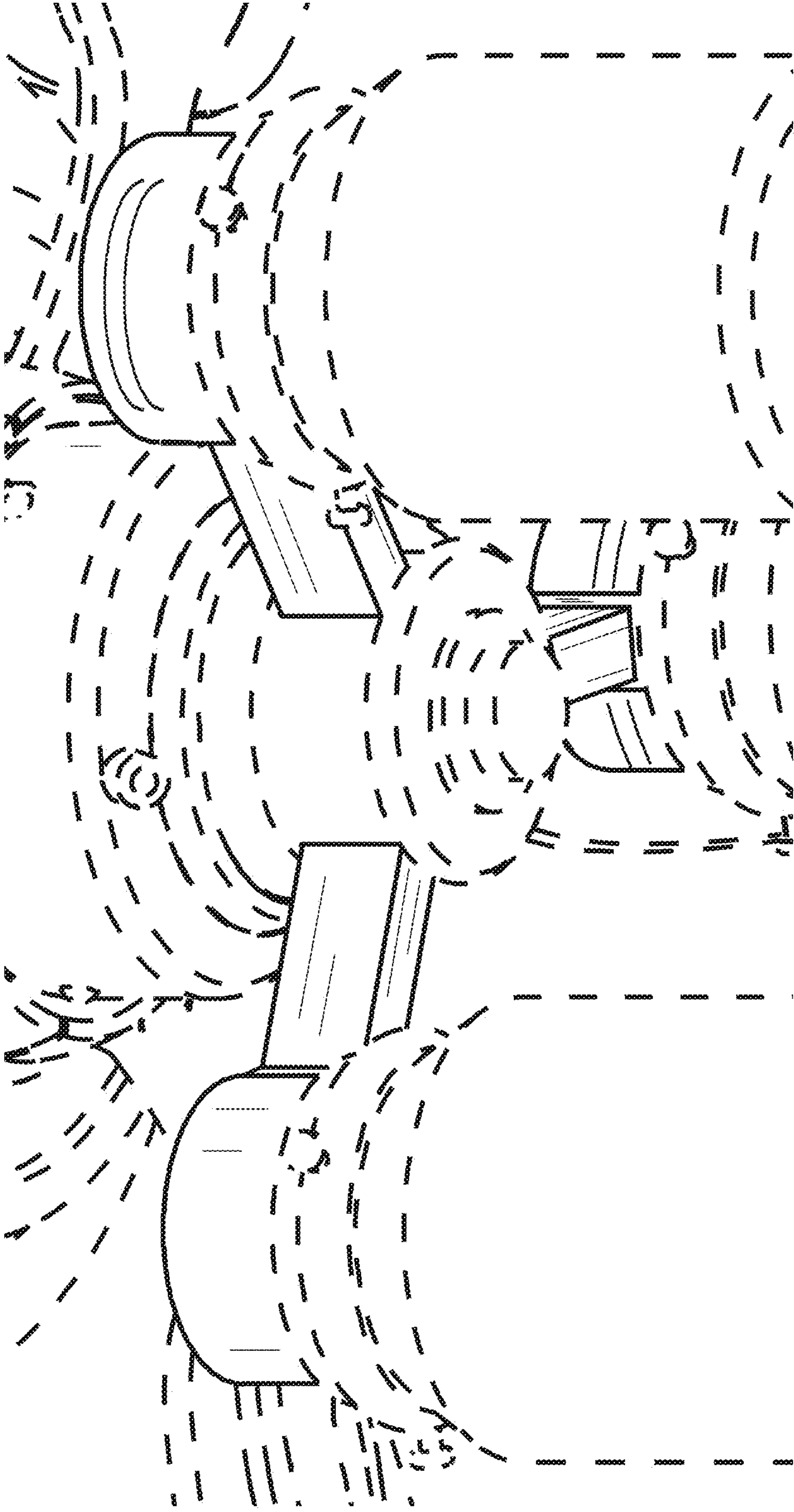


FIG. 11

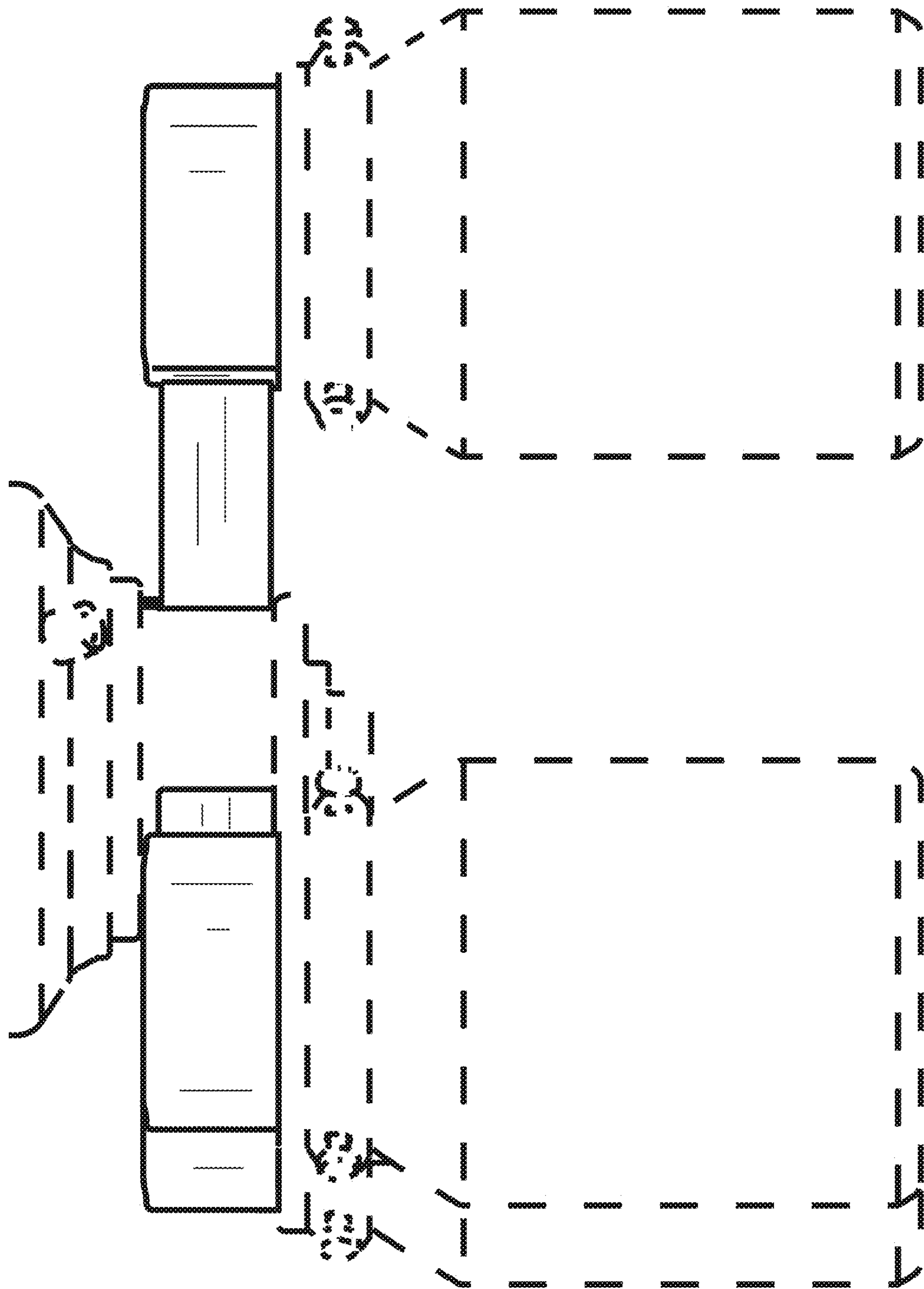


FIG. 12

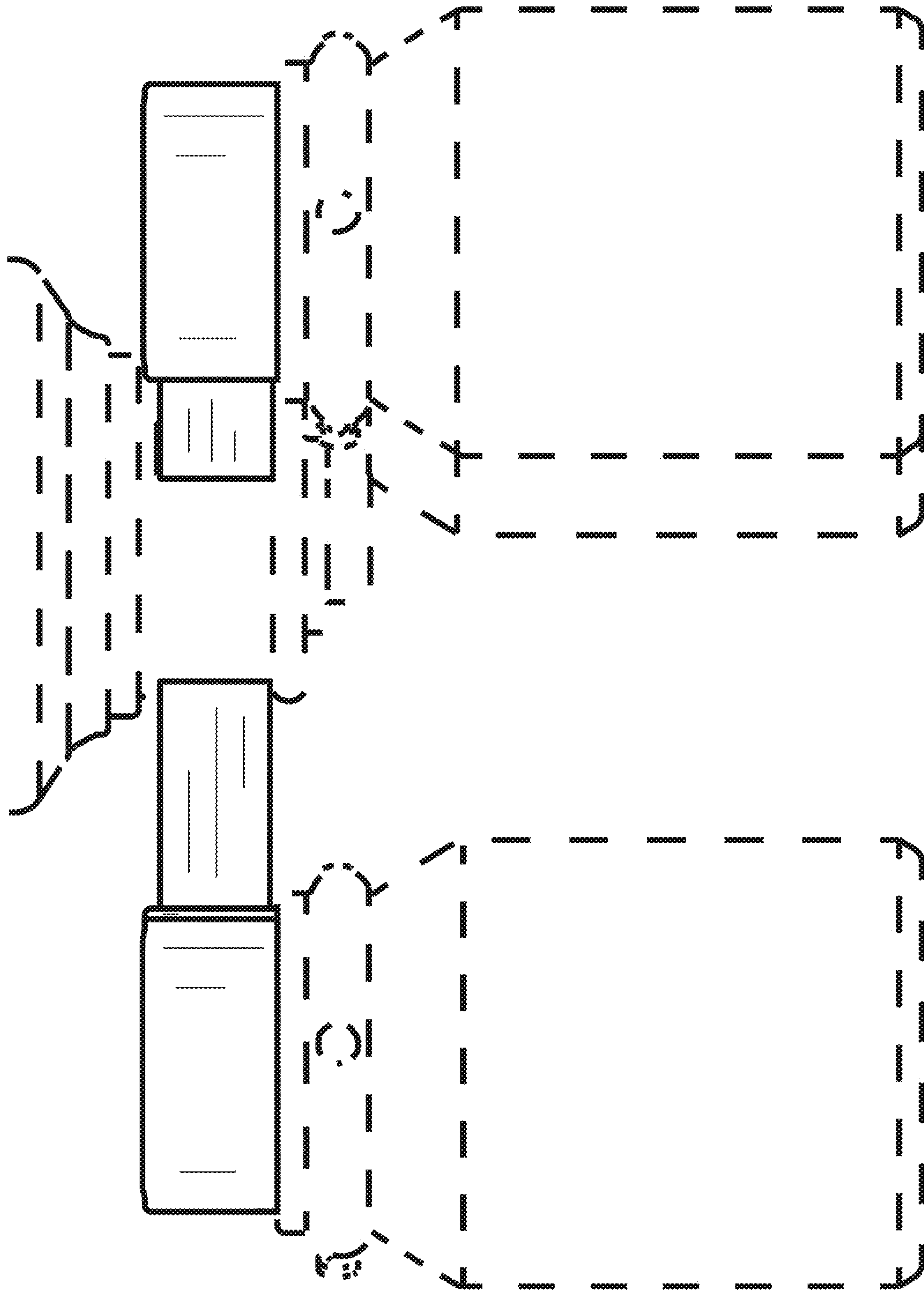


FIG. 13

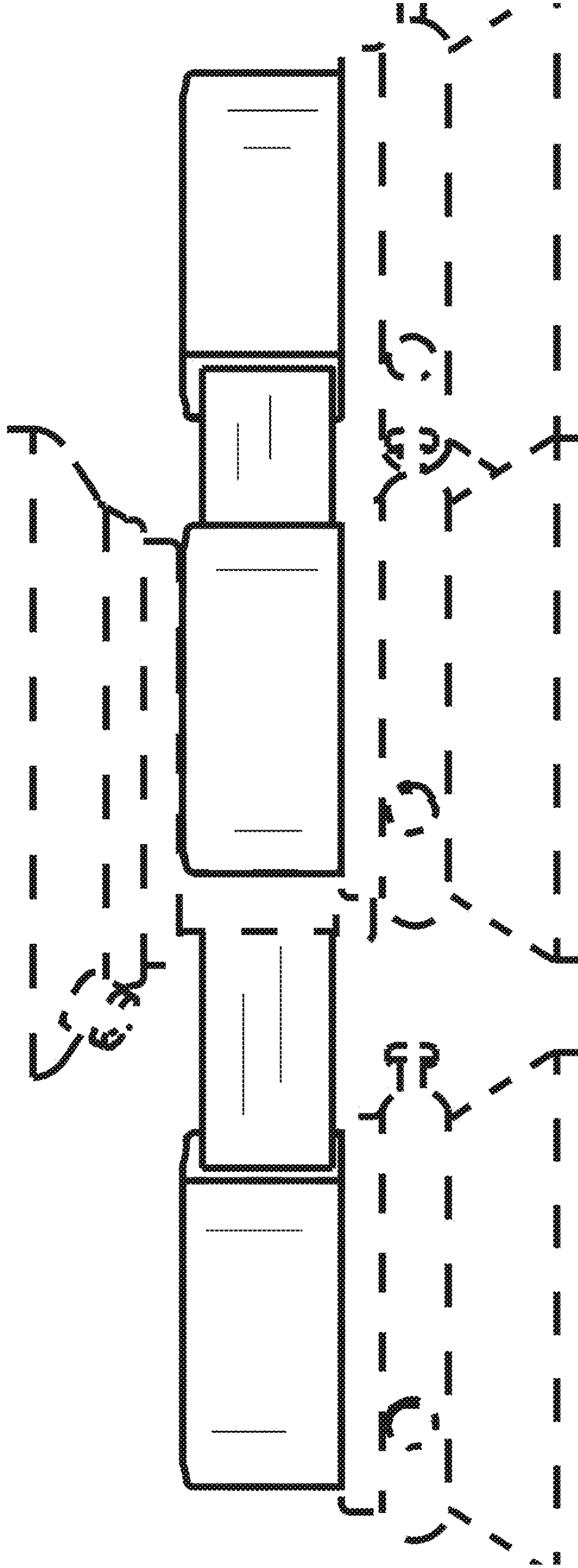


FIG. 14

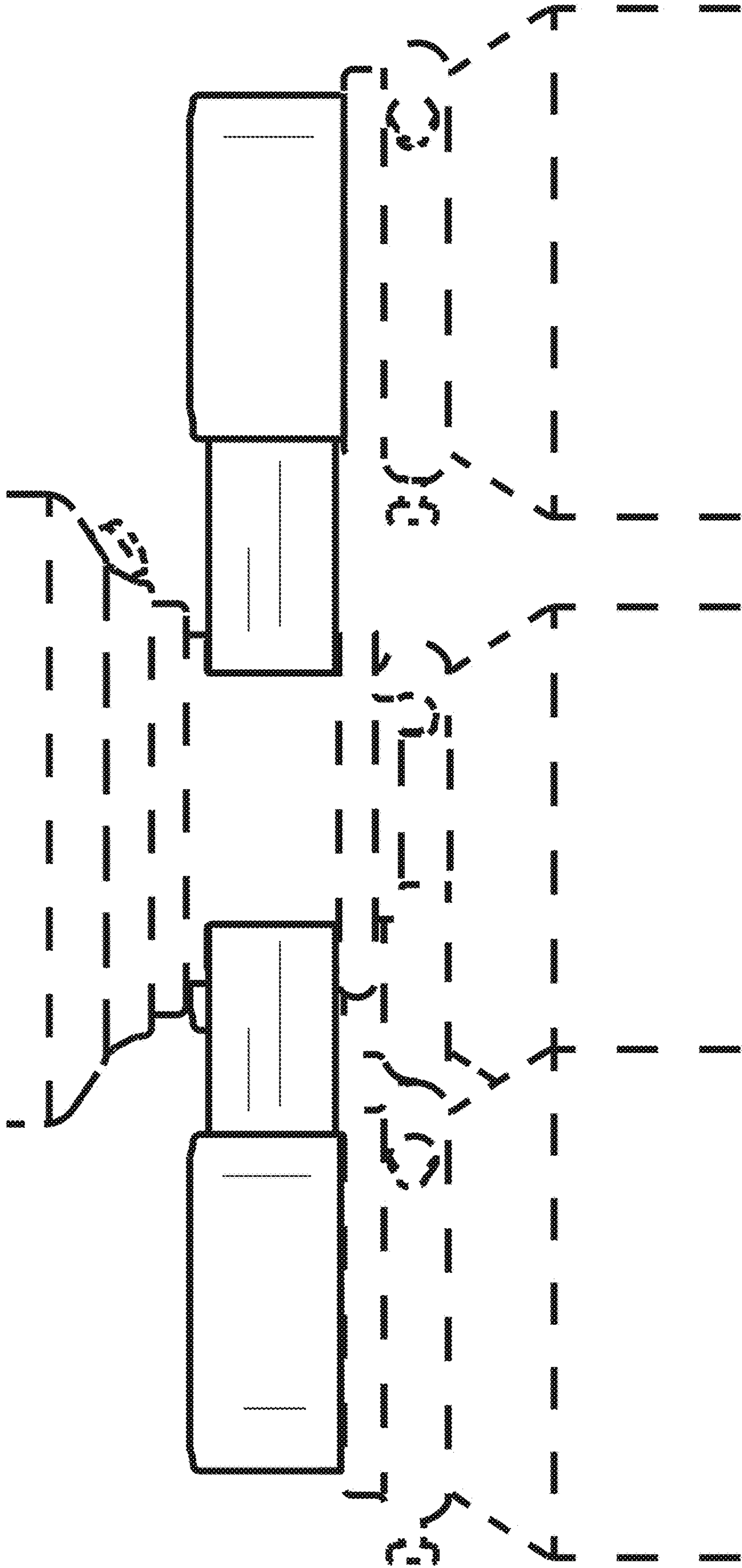


FIG. 15

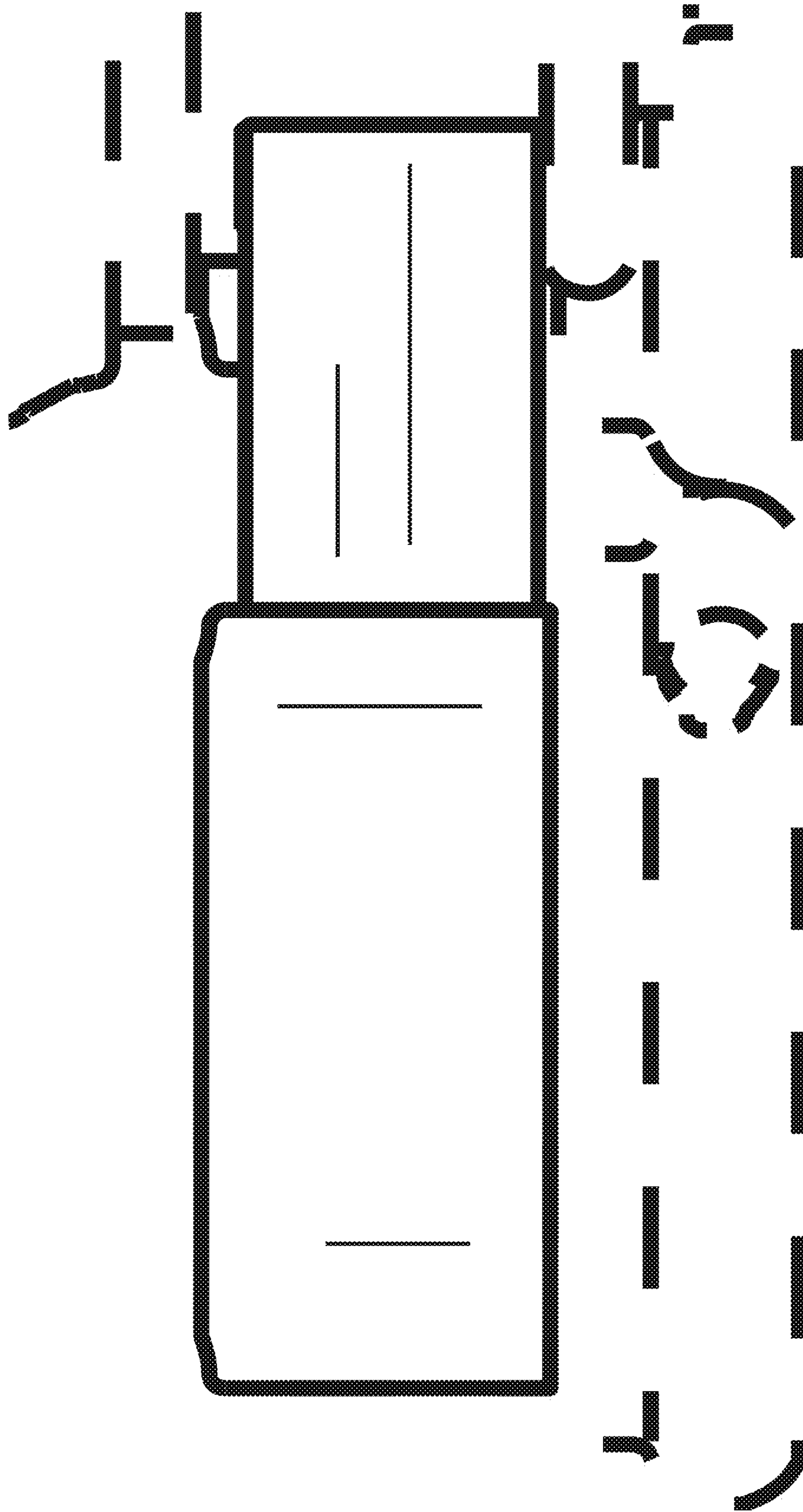


FIG. 16