



US00D959717S

(12) **United States Design Patent** (10) **Patent No.:** **US D959,717 S**
Hsu (45) **Date of Patent:** **** Aug. 2, 2022**

(54) **LAMP**
(71) Applicant: **Dong Guan Jia Sheng Lighting Technology Co., Ltd. China, Guang-Dong (CN)**

D271,241 S * 11/1983 Vrignaud D26/104
D371,857 S * 7/1996 Gismondi D26/37
D395,715 S * 6/1998 Queen D26/24
(Continued)

(72) Inventor: **Kevin Hsu, Taichung (TW)**
(73) Assignee: **Dong Guan Jia Sheng Lighting Technology Co., Ltd. China, Guang-Dong (CN)**

FOREIGN PATENT DOCUMENTS

CN 301440246 * 1/2011
CN 301607726 * 7/2011
CN 303397469 * 9/2015

(**) Term: **15 Years**

(21) Appl. No.: **29/709,626**

(22) Filed: **Oct. 16, 2019**

(51) **LOC (13) Cl.** **26-02**

(52) **U.S. Cl.**
USPC **D26/40**

(58) **Field of Classification Search**
USPC D26/37-44, 46-52, 72, 76, 78, 79, 80,
D26/81, 82, 83, 85, 86, 88, 90, 113, 118,
D26/119, 120, 121, 122, 138, 139, 140,
D26/141, 142; D10/111-115
CPC .. F21V 17/00; G03H 2227/06; G02B 5/1842;
Y10S 362/806

See application file for complete search history.

(56) **References Cited**

U.S. PATENT DOCUMENTS

1,025,005 A * 4/1912 McArdle F21V 17/00
362/434
1,304,860 A * 5/1919 Dole F21V 3/00
362/355
1,357,559 A * 11/1920 Heilenday F21S 8/088
362/363
1,942,156 A * 1/1934 Webb G09B 27/08
362/441
2,272,911 A * 2/1942 Hale F21V 17/00
362/253
3,241,252 A * 3/1966 Baalson G09B 27/08
434/140
D222,500 S * 10/1971 Gugelot et al. D26/37

OTHER PUBLICATIONS

“Kira Home Ceres 8 Mid-Century Modern Hanging Orb,” May 26, 2017, amazon.com, site visited Jan. 14, 2022, URL: [https://www.amazon.com/Kira-Home-Mid-Century-Hanging-Diffuser/dp/B07177MMHJ/ref=sr_1_21?crd=1THW97DOHJR3T&keywords=spherical%2Blight&qid=1642185957&sprefix=spherical%2Blight%2Caps%2C79&sr= \(Year: 2017\).*](https://www.amazon.com/Kira-Home-Mid-Century-Hanging-Diffuser/dp/B07177MMHJ/ref=sr_1_21?crd=1THW97DOHJR3T&keywords=spherical%2Blight&qid=1642185957&sprefix=spherical%2Blight%2Caps%2C79&sr= (Year: 2017).*)

(Continued)

Primary Examiner — Eric L Goodman
Assistant Examiner — Sarah L Smith
(74) *Attorney, Agent, or Firm* — Alan D. Kamrath; Karin L. Williams; Mayer & Williams PC

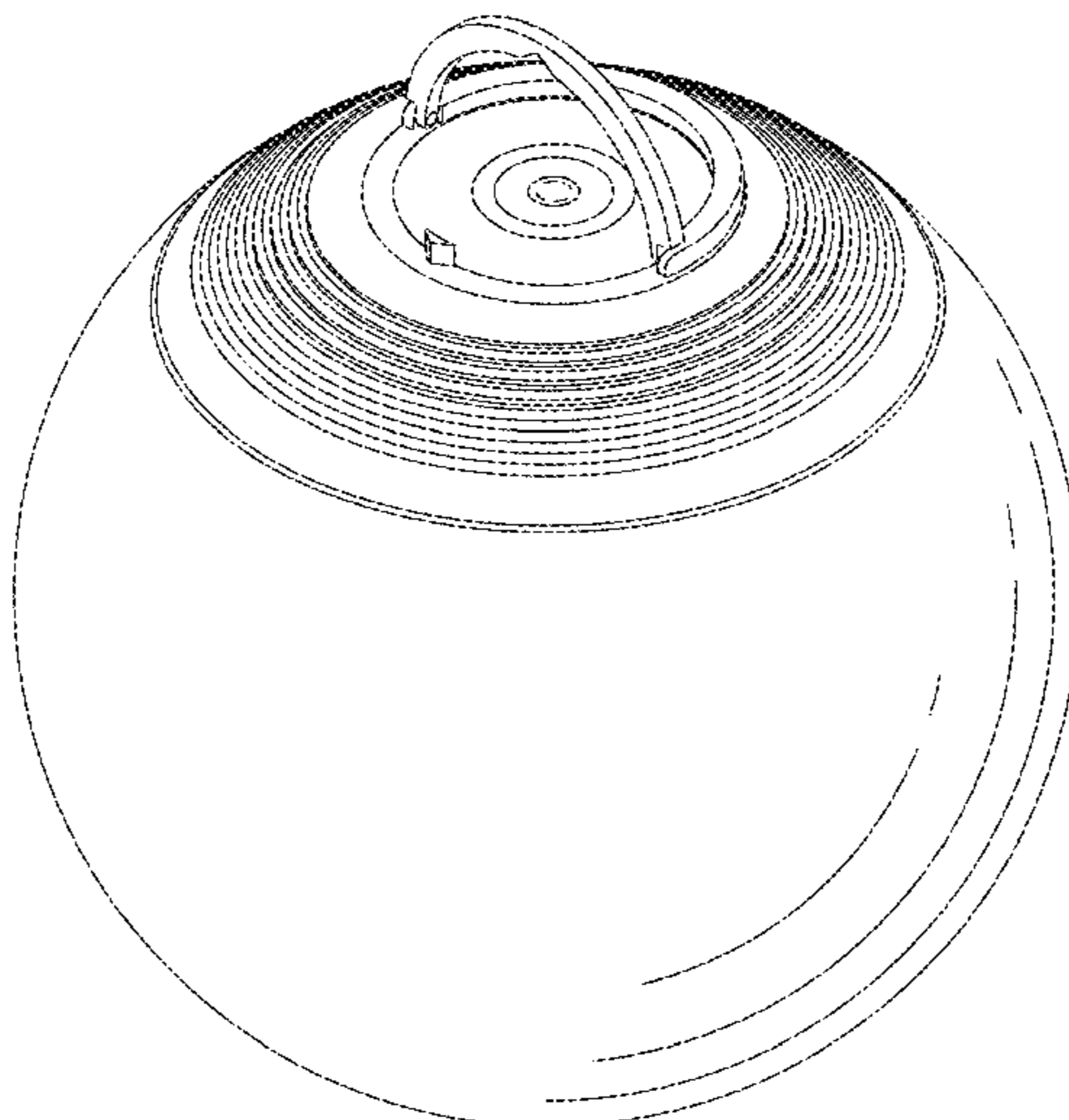
(57) **CLAIM**

The ornamental design for a lamp, as shown and described.

DESCRIPTION

FIG. 1 is a perspective view of a lamp showing my design. FIG. 2 is a front elevational view thereof. FIG. 3 is a rear elevational view thereof. FIG. 4 is a left side elevational view thereof. FIG. 5 is a right side elevational view thereof. FIG. 6 is a top plan view thereof; and, FIG. 7 is a bottom plan view thereof. The broken lines shown in the drawings illustrate portions of the lamp and form no part of the claimed design.

1 Claim, 7 Drawing Sheets



(56)

References Cited

U.S. PATENT DOCUMENTS

6,285,472 B1 * 9/2001 Odhner G02B 5/1842
359/1
D506,223 S * 6/2005 Green D19/61
D520,589 S * 5/2006 Peterson D21/801
D682,692 S * 5/2013 Adjeleian D9/439
D698,478 S * 1/2014 Randolph D26/67
D791,396 S * 7/2017 Yang D26/118
D810,349 S * 2/2018 Sempe G09B 27/08
D26/104
D887,069 S * 6/2020 Dou D26/104
D890,406 S * 7/2020 Chen D26/104
D905,316 S * 12/2020 Bie D26/93
D917,416 S * 4/2021 DeMaio F21V 17/00
D14/171
D919,866 S * 5/2021 Workman G09B 27/08
D26/41
D927,751 S * 8/2021 Zheng D26/51
D935,683 S * 11/2021 Garrett G02B 5/1842
D26/104
D942,673 S * 2/2022 Huang D26/104

OTHER PUBLICATIONS

“Linea Gold Modern Globe Pendant Light,” Apr. 11, 2017, amazon.com, site visited Jan. 14, 2022, URL: <https://www.amazon.com/Sferra-Industrial-Kitchen-Pendant-Light/dp/B06Y23FJQR/> (Year: 2017).*

* cited by examiner

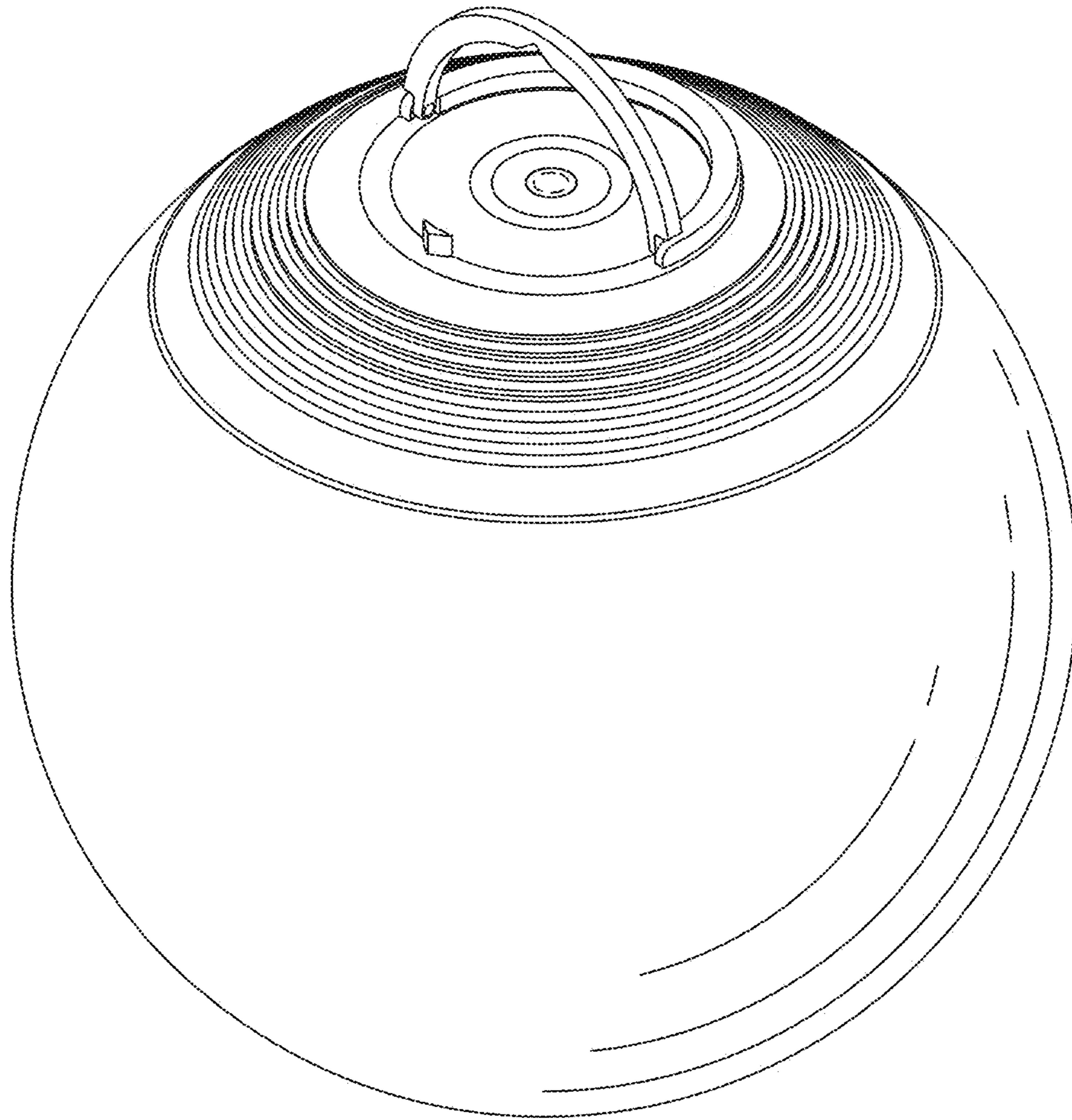


FIG. 1

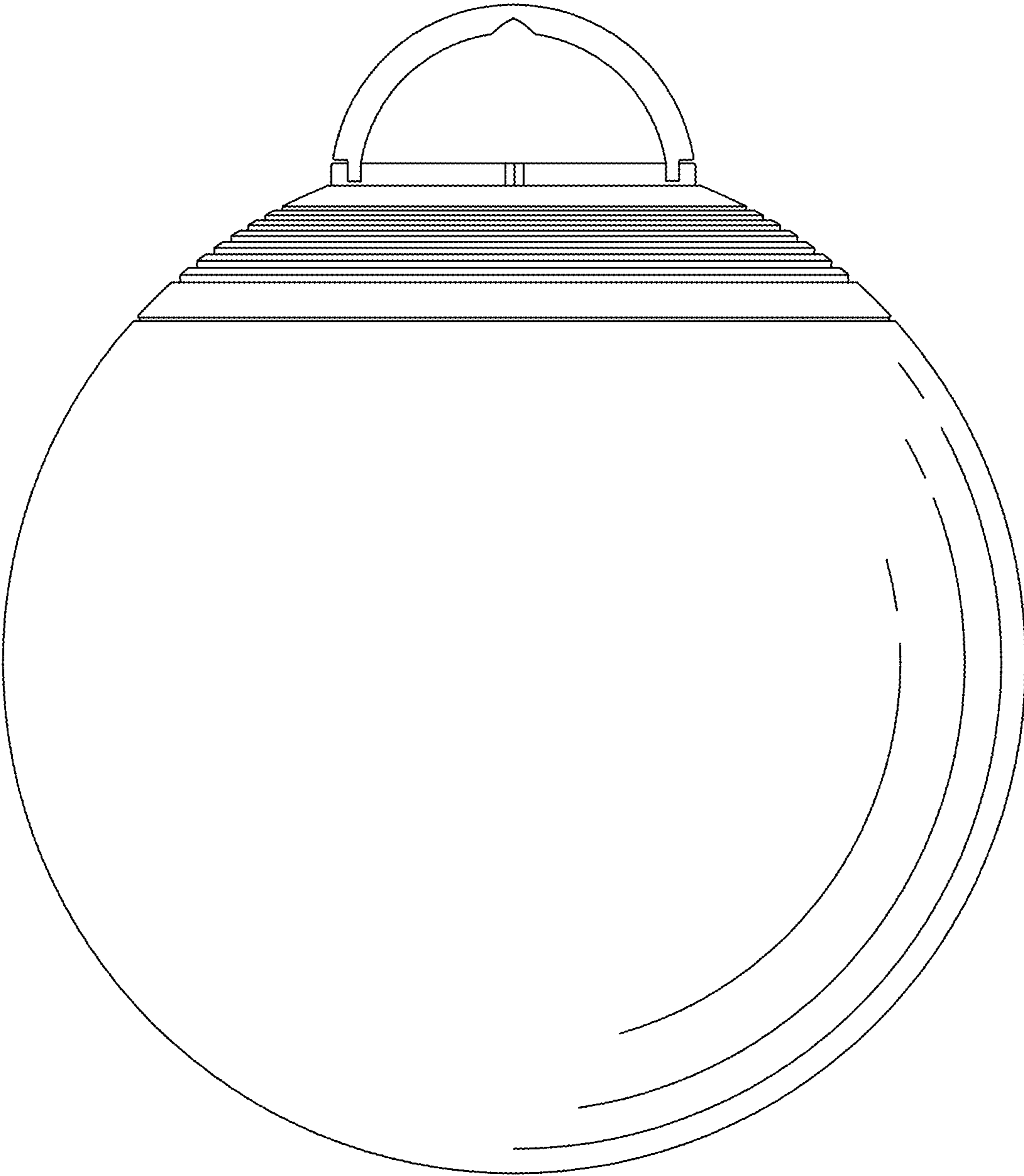


FIG. 2

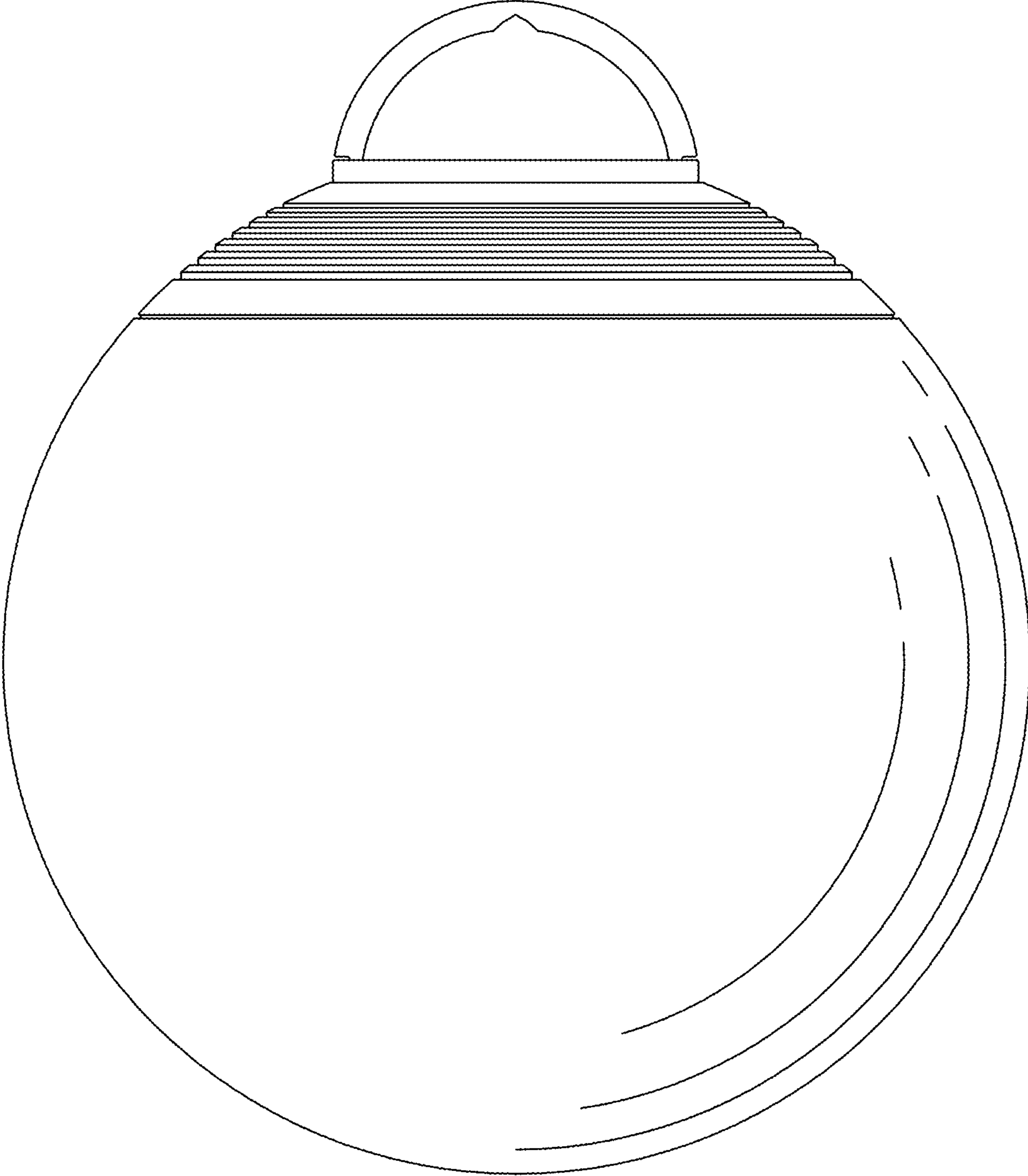


FIG. 3

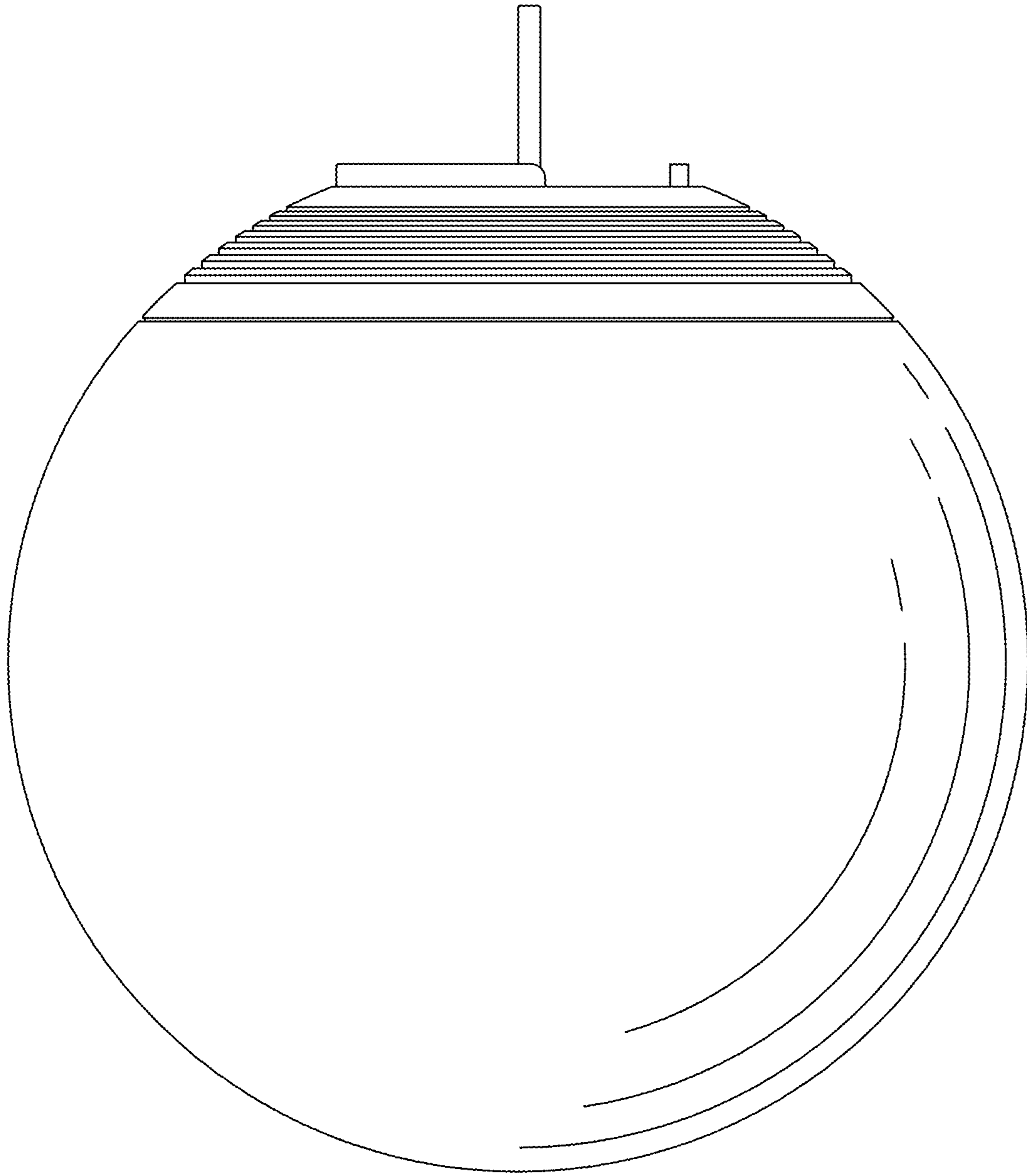


FIG. 4

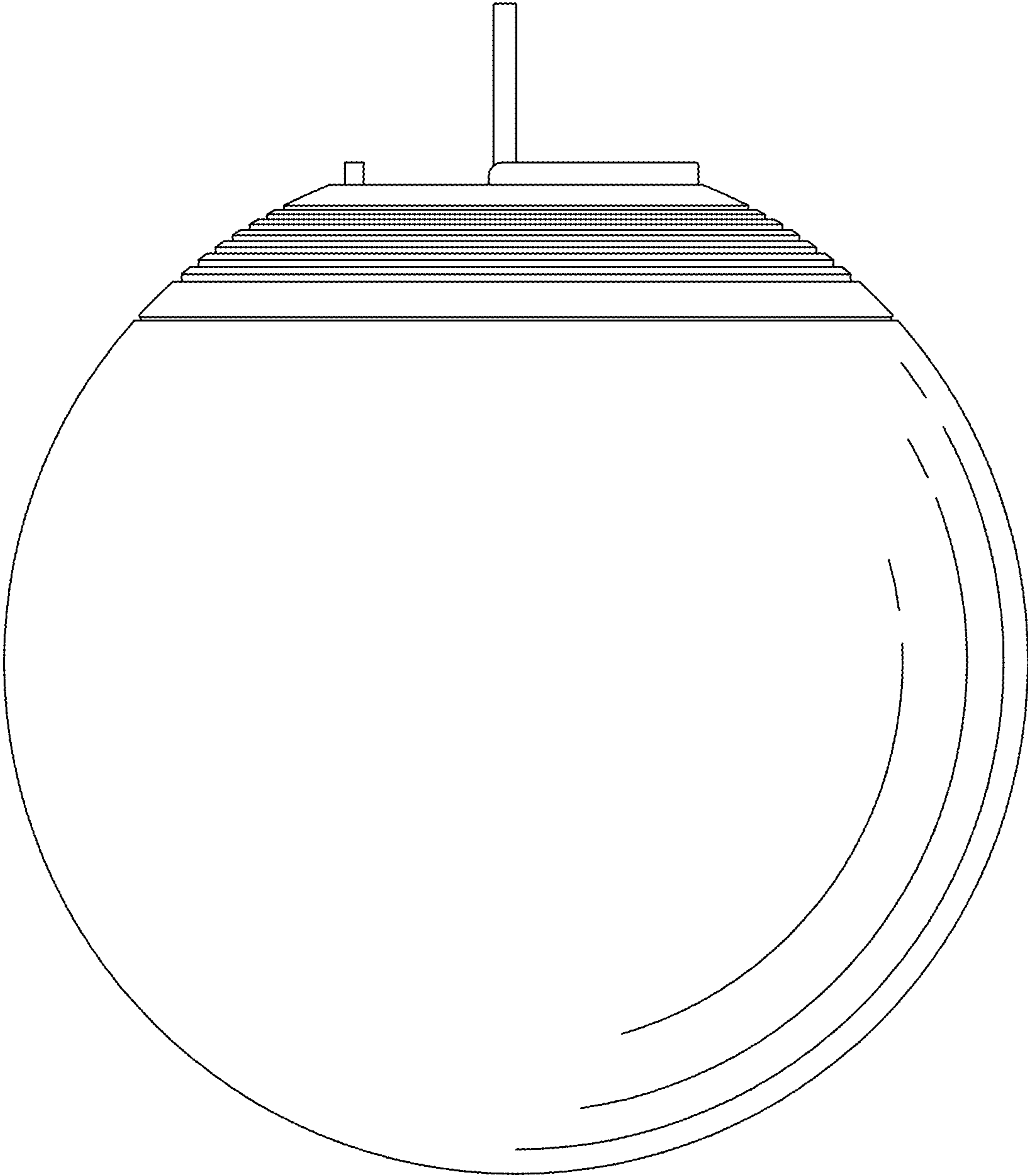


FIG. 5

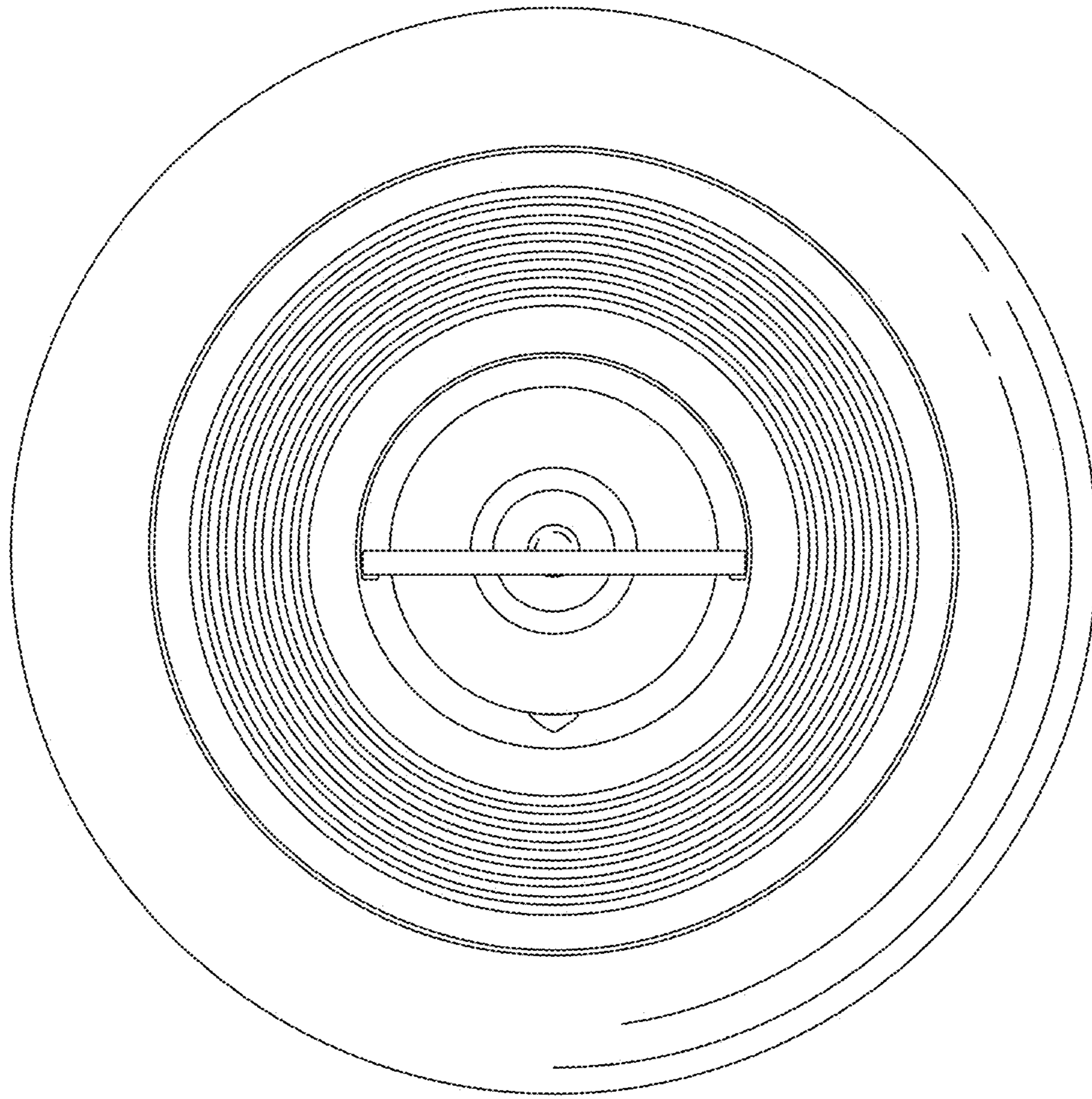


FIG. 6

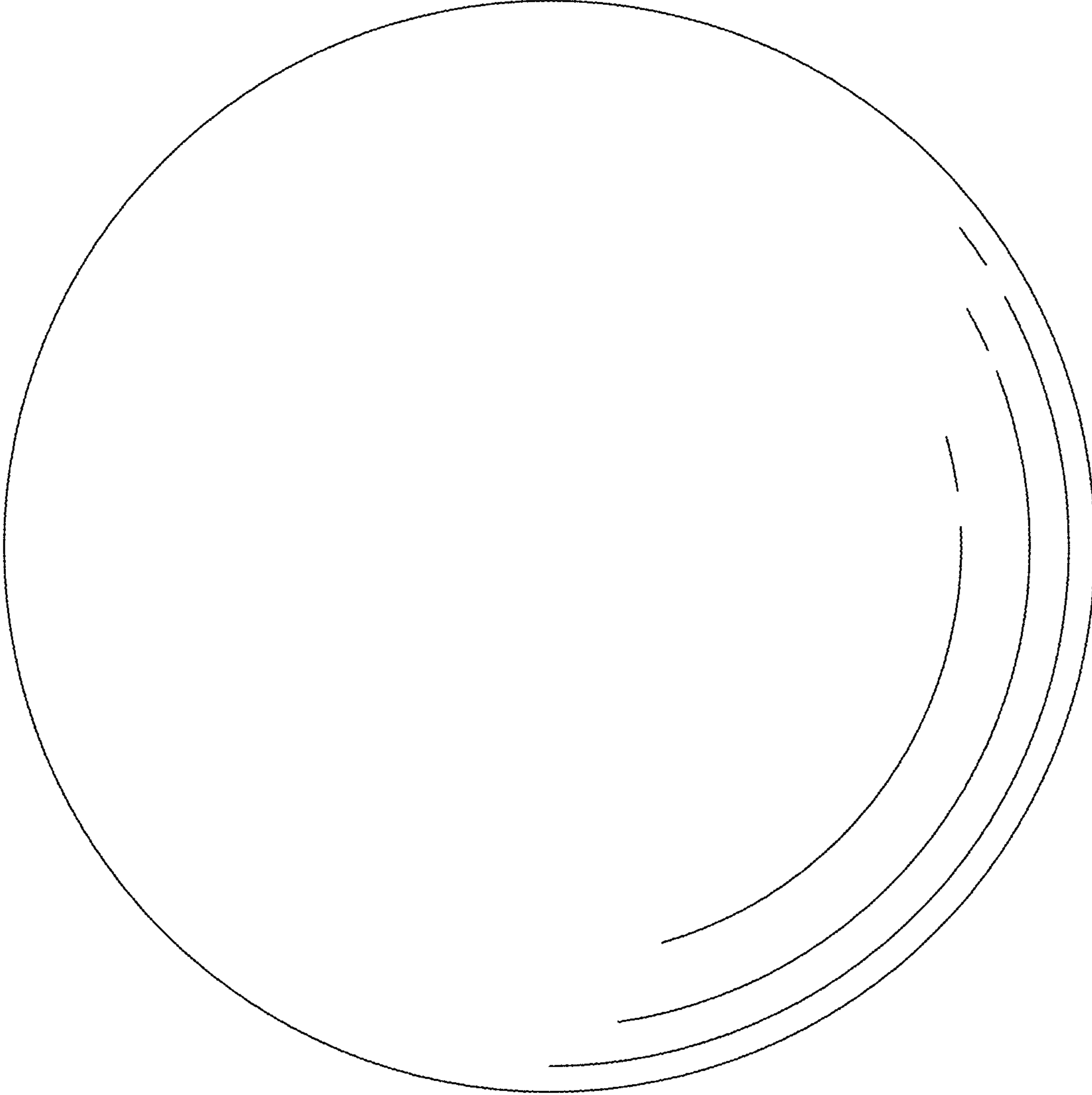


FIG. 7