



US00D959715S

(12) **United States Design Patent** (10) **Patent No.:** **US D959,715 S**
Langhals et al. (45) **Date of Patent:** **** Aug. 2, 2022**

(54) **FOG LAMP**

F21W 2102/17; F21W 2103/00; F21W 2103/35; F21W 2103/55; F21W 2107/13; F21W 2107/17

(71) Applicants: **Taylor A. Langhals**, Waterford, MI (US); **Tome Jovanoski**, Shelby Township, MI (US); **Timothy W. Anness**, Rochester Hills, MI (US)

See application file for complete search history.

(72) Inventors: **Taylor A. Langhals**, Waterford, MI (US); **Tome Jovanoski**, Shelby Township, MI (US); **Timothy W. Anness**, Rochester Hills, MI (US)

(56) **References Cited**

U.S. PATENT DOCUMENTS

(73) Assignee: **FCA US LLC**, Auburn Hills, MI (US)

D765,282	S	*	8/2016	Lai	D26/28
D797,332	S	*	9/2017	Lin	D26/28
D809,682	S	*	2/2018	Lin	D26/28
D838,019	S	*	1/2019	Lin	D26/28
D854,202	S	*	7/2019	Lin	D26/28
D921,939	S	*	6/2021	He	D26/28
D921,942	S	*	6/2021	Lin	D26/28
D921,944	S	*	6/2021	Lin	D26/28
D929,624	S	*	8/2021	Yang	D26/28

(**) Term: **15 Years**

* cited by examiner

(21) Appl. No.: **29/815,293**

Primary Examiner — Marcus A Jackson

(22) Filed: **Nov. 12, 2021**

(74) *Attorney, Agent, or Firm* — Ralph E. Smith

Related U.S. Application Data

(57) **CLAIM**

(63) Continuation-in-part of application No. 29/727,311, filed on Mar. 10, 2020, now Pat. No. Des. 935,939, which is a continuation-in-part of application No. 29/727,316, filed on Mar. 10, 2020, now Pat. No. Des. 935,940.

The ornamental design for a fog lamp, as shown and described.

(51) **LOC (13) Cl.** **26-06**

DESCRIPTION

(52) **U.S. Cl.**

FIG. 1 is a front perspective view of a fog lamp showing our new design;
FIG. 2 is a front view thereof;
FIG. 3 is a rear view thereof;
FIG. 4 is a side view thereof;
FIG. 5 is a top view thereof; and,
FIG. 6 is a bottom view thereof.

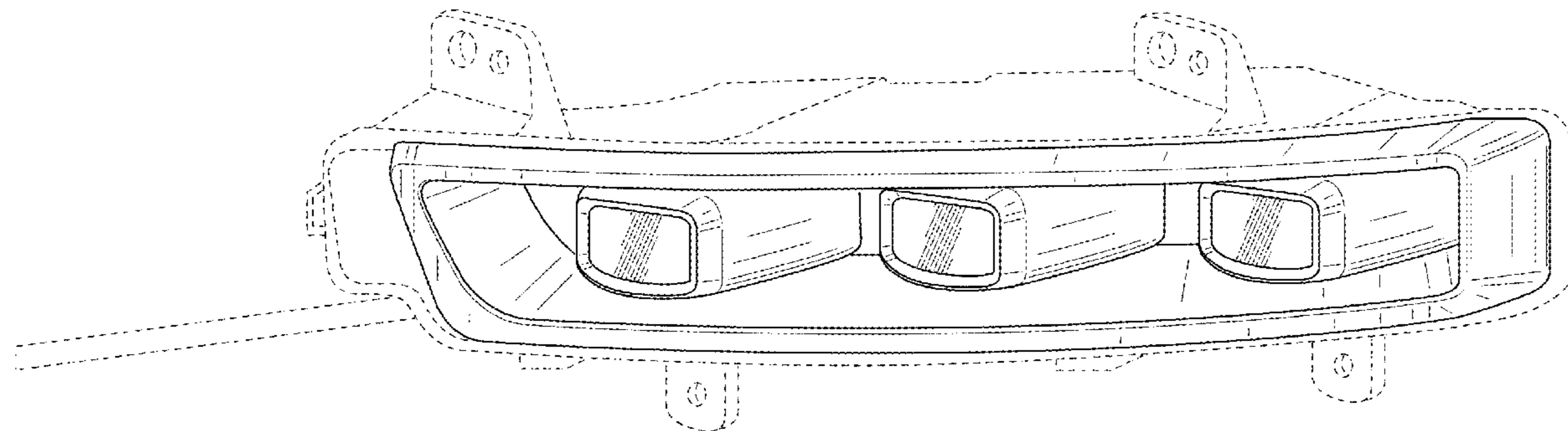
USPC **D26/28**

(58) **Field of Classification Search**

USPC D26/28–36, 139
CPC F21S 48/00; F21S 48/10; F21S 48/115; F21S 48/225; F21S 48/1233; F21S 48/1266; F21S 48/1388; F21S 48/2268; F21V 5/00; F21V 21/04; F21V 29/004; B60Q 9/13; B60Q 9/135; B60Q 9/1375;

It will be understood that the broken lines shown in the drawings illustrate portions of the fog lamp that form no part of the claimed design.

1 Claim, 6 Drawing Sheets



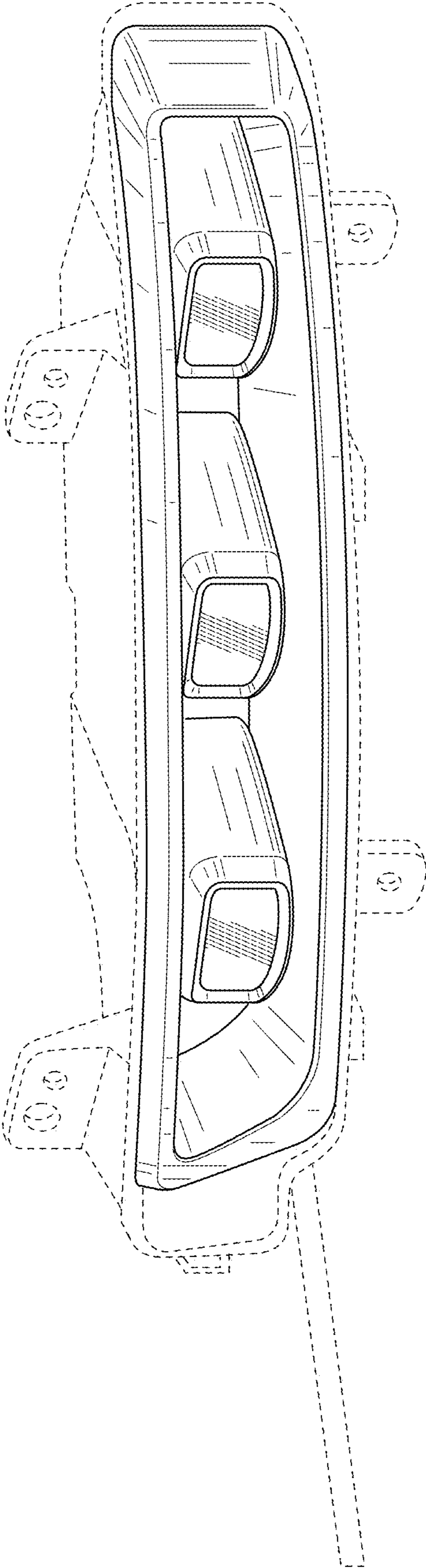


FIG. 1

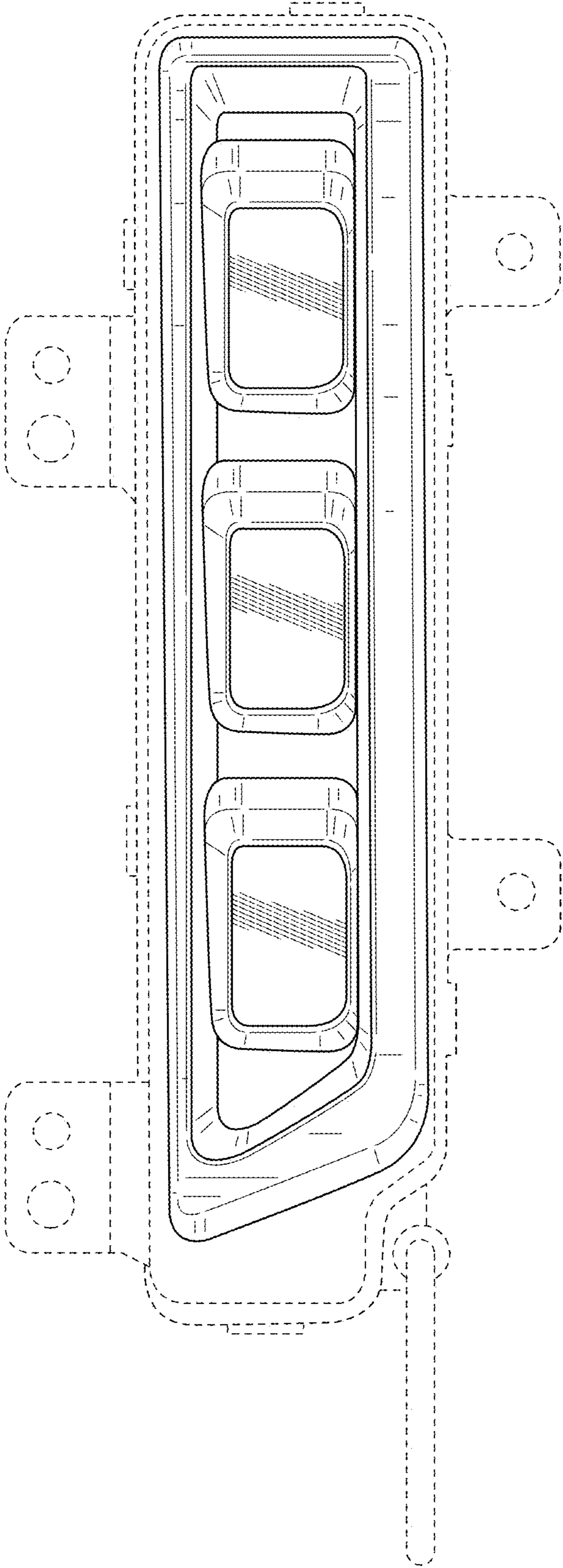


FIG. 2

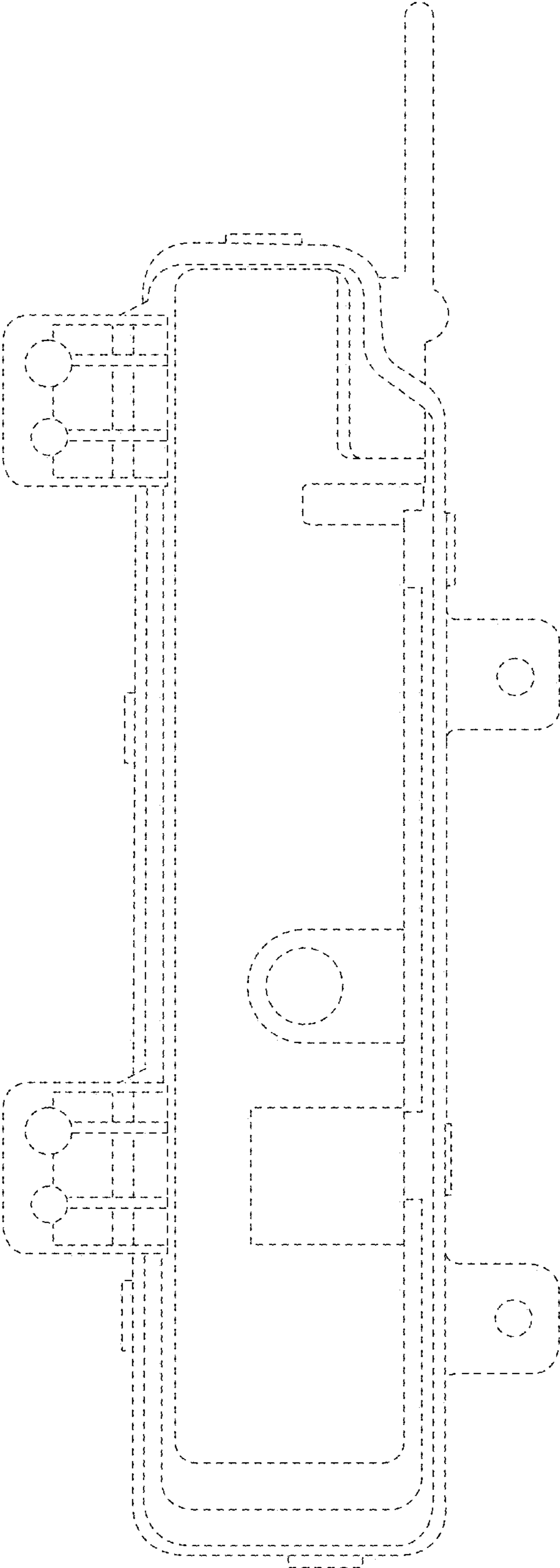


FIG. 3

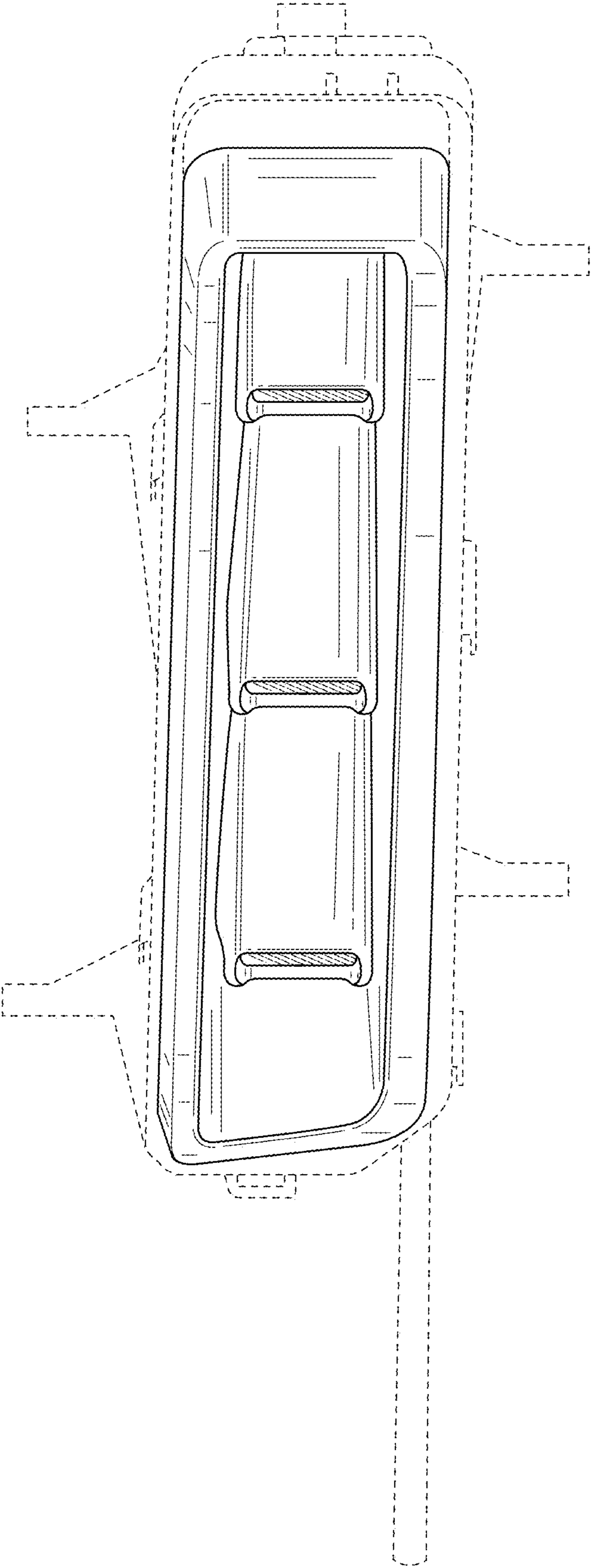


FIG. 4

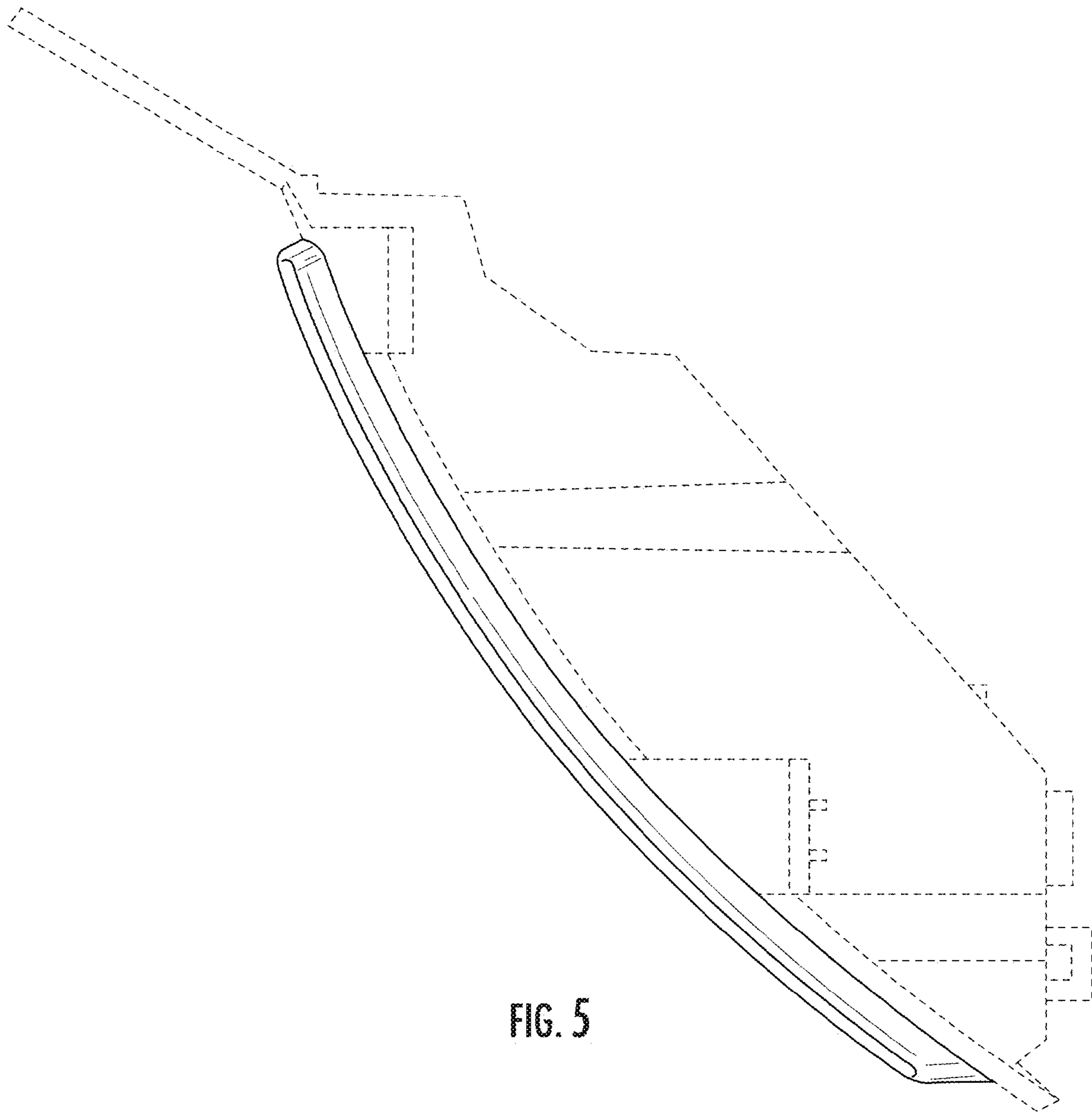


FIG. 5

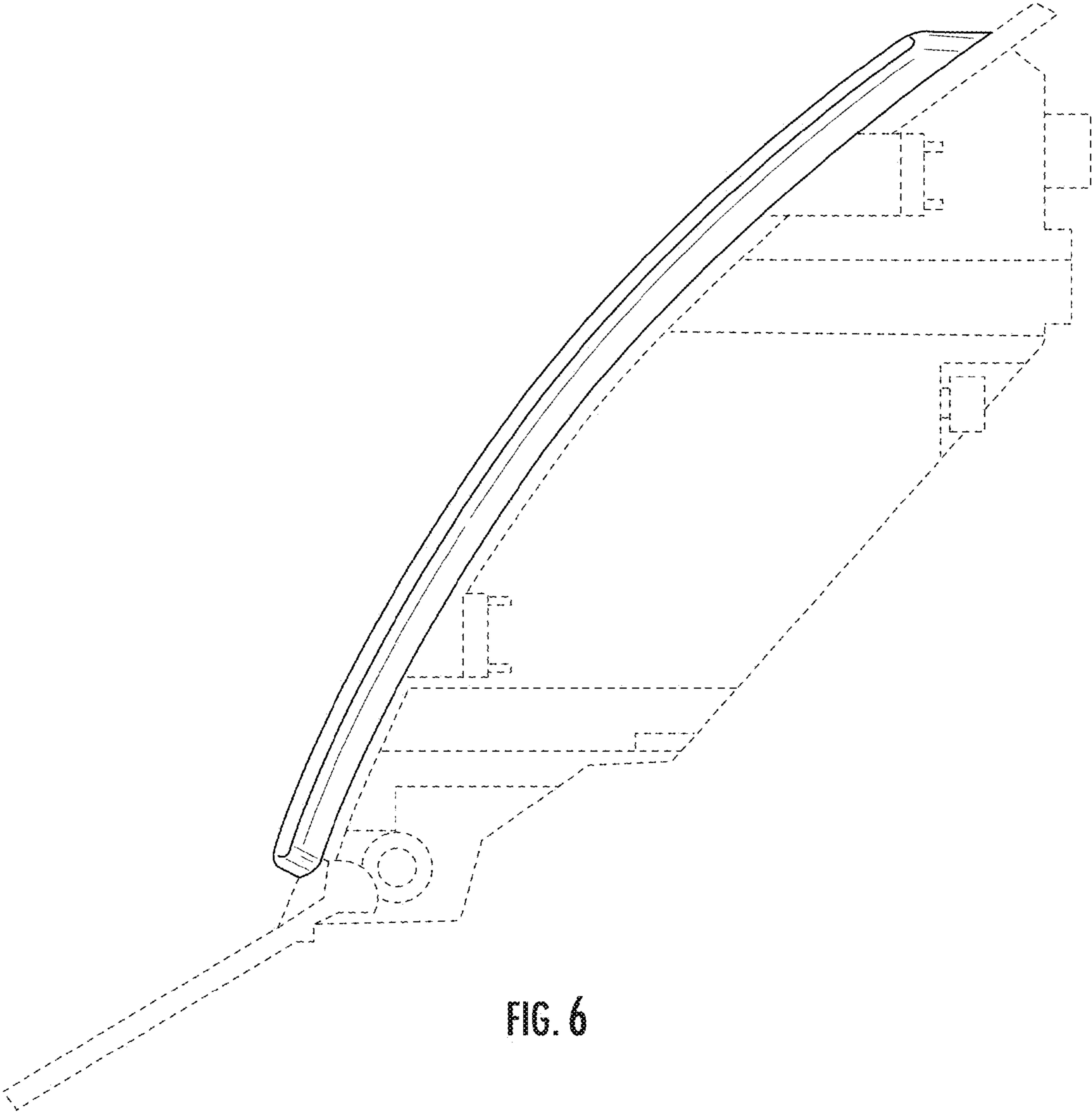


FIG. 6